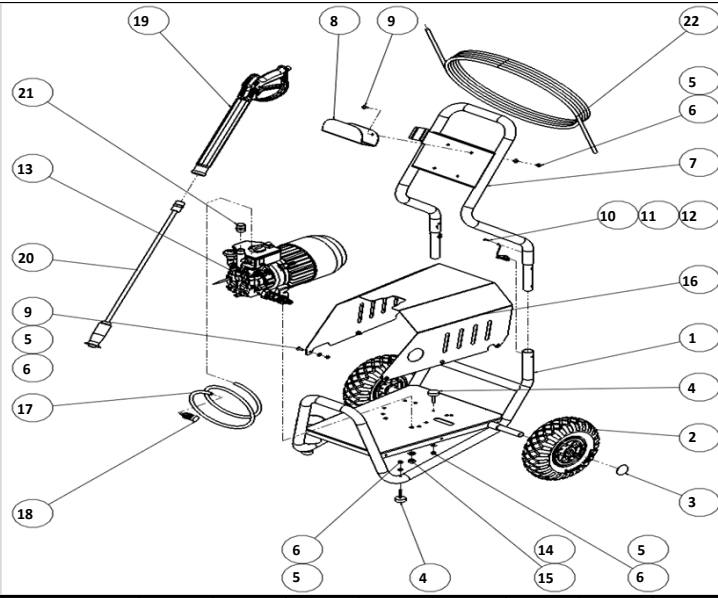


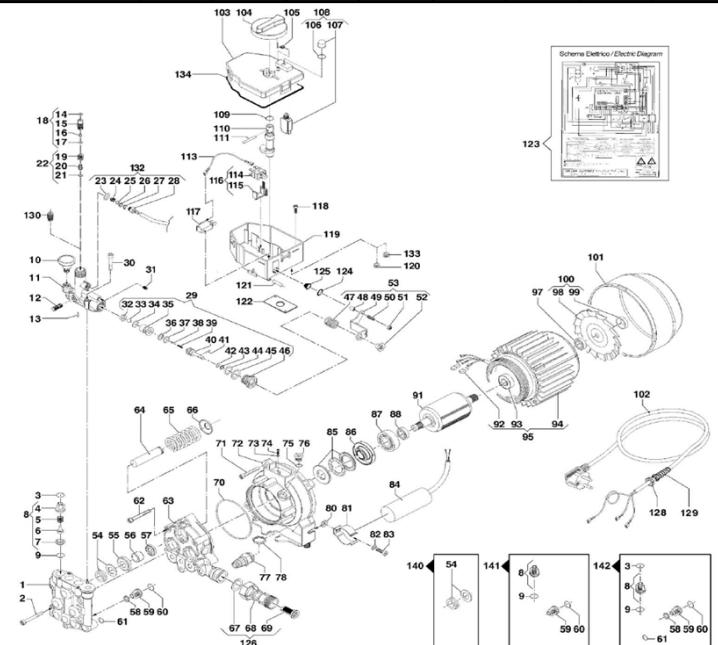
HPSTAR 150-09 EM

N°	Référence NAV	Désignation NAV	QUANTITE
1	HPSTAR100-010	CHASSIS	1
2	ZRED260I	ROUPE DIAM 260 INCREVABLE	2
3	ZGoup-D20	CALOTTE D20	2
4	ZPLOT-CAOU-M6-D30	PLOT CAOUTCHOUC M6 D30 L38 H11	3
5	ZCONTACTM6I	RONDELLE MOYENNE M6 INOX	11
6	ZECROUBAGM6I	ECROU BAG NYLON M6 INOX	11
7	HPSTAR100-020	BRANCARD	1
8	HPSTAR100-200-300-01	PORTE FLEXIBLE	1
9	ZVISBHCHEIM6X16	VIS BHC M6*16 EMBASE INOX	8
10	ZVISPHM3,5X9,5	VIS 3,5*9,5 ZIN AUTOTARAUDEUSE	2
11	ZCABL-SECU	CABLE SECURITE DIA 1,5	2
12	ZGOUPEAUT4,5X36	GOUPEILLE AUTO 4,5X36 MM	2
13	KS-9-15-230V2,7KW	POMPE AXIALE ELEC 150-9	1
14	ZPLATEM10M1	RONDELLE MOYENNE M10 INOX	2
15	ZECROUM10I	ECROU H10 INOX	2
16	HPSTAR100-040	CAPOT ELEC 150-9EM	1
17	ZTUVAUPVC2	TUYAU PVC DN6	1
18	ZFILT-DETER-D6-8	FILTRE DETERGENT DIA6-8	1
19	ZPIST-EXT-22-MF-22	PISTOLET + RALLONGE 350BAR	1
20	ZLANCE-S-V-F22-190	LANCE SIMPLE VARIJET 190BAR	1
21	ZRACC-MF-M22	RACCORD MALE FEMELLE M22X1,5	1
22	ZFLEX-1T-10M-210	FLEXIBLE 10M 1 T 210B M22X1,5F	1



KS-9.15-230V2,7KW

N°	REF. COMET	DESCRIPTION	QUANTITE
1	32180114	O-Ring (1,78x12,42)	1
2	36090150	Screw (M6x35)	5
3	12100392	O-Ring (2x17)	4
4	12050031	Suct./Del. Valve Cage	3
5	18020175	Spring	3
6	36040026	Suct./Del. Valve	3
7	30090121	Suct./Del. Valve Seat	3
8	12200039	Suct./Del. Valve Ass. y kit	3
9	12100415	O-Ring (1,78x12,42)	3
10	18160125	Gauge (0-160 l/8")	1
11	04240391	Unloader Body	1
12	36220044	Adjustable Nut (M6x30)	1
13	30210035	Elastic Pin	1
14	12100043	O-Ring (1,78x11,11)	1
15	20000108	Detergent Injector	1
16	34000287	Detergent Nozzle	1
17	12100170	O-Ring (1,78x10,82)	1
18	34100326	Injector Kit	1
19	18020177	Spring	1
20	36000087	Check Valve	1
21	12100220	O-Ring (2x4)	1
22	50270025	Check valve Kit	1
23	12100039	O-Ring (1,78x7,67)	1
24	18020254	Conic Spring	1
25	30030024	detergent Ball (7/32")	1
26	12100014	O-Ring (1,78x4,48)	1
27	12090083	Gasket	1
28	28030383	Detergent Coupling	1
29	12150337	Unloader Valve kit	1
30	36090148	Screw (M5x35)	4
31	36220045	Stop Adjustable Nut	1
32	30090153	Easy-Star Seat	1
33	30030028	Easy-Star Ball	1
34	12100152	O-Ring (1,78x9,25)	1
35	30090148	Unloader Valve Seat	1
36	00090112	Ring	1
37	12100041	O-ring (1,78x8,74)	1
38	24080162	Easy-Start Rod	1
39	18020247	Easy-start Spring	1
40	00150184	Unloader Valve Rod	1
41	30210035	Elastic Pin (Ø2x8)	1
42	12100055	O-Ring (1,78x6,08)	1
43	00090110	Ring	1
44	12100049	O-Ring (1,78x6,08)	1
45	12100390	O-Ring (2x17)	1
46	36050089	Special Screw	1
47	18020249	Unloader Valve Spring	1
48	04320044	Total-Stop Cap	1
49	16000083	Total-Stop Lever	1
50	36220047	Total-Stop Adjust; Nut (M4x20)	1
51	06040087	Nut (M4)	1
52	32020241	Total-Stop Special Screw	1
53	16000089	Total-Stop Lever Kit	1
54	12410041	Packing (Ø14xØ22x5)	3
55	00090201	Packing Retainer	3
56	06010310	Oil Seal Spacer	3
57	00150058	Oil Seal (14x22; 2x5)	3
58	01110006	Shim (Ø11 - Ø16x0,7)	3
59	12200039	Suct./Del. Valve Ass. y kit	3
60	12100432	O-Ring (2x12 NBR 90)	3
61	12100433	O-Ring (2x8)	1
62	36090100	Screw (M6x35)	3
63	24320014	Pump Crankcase	1
64	24090108	Piston (Ø14)	3
65	18020174	Piston Spring	3
66	00090195	Piston Ring	3
67	12090111	Gasket (Ø14,5x24,5x3,6)	1
68	28030487	Inlet Coupling (G3/4 M)	1
69	10020132	Suction Filter	1
70	12100391	O-Ring (2,62x75,87)	1
71	36090114	Screw (M6x30)	4
72	10090212	Motor Flange Kit	1
73	28070013	Special Washer (4,3x8x1,6)	1
74	36250072	Screw (M4x8)	1
75	12100557	O-Ring (3,0x9)	1
76	32020220	Oil Plug	1
77	24340027	Cable Holder	1
78	12270028	Ring Nut	1
80	06040095	Nut (M7)	1
81	18020224	Condenser Holder	1
82	28110032	washer (Ø6,4x12,5x1,7)	1
83	36090193	Screw (M6x10)	1
84	04340060	Condenser (40 mF)	1
85	04360028	Bearing	1
86	00010472	Eccentric Shaft	1
87	04380082	ball Bearing (20x52x16)	1
88	00190113	Oil Seal (20x32x7)	1
91	00010478	Rotor Shaft	1
92	04220057	Fast-On	2
93	04380083	Ball Bearing (20x47x14)	1
94	30410162	Stator	1
95	30410164	Stator Kit	1
97	00190115	Seal	1
98	36320070	Motor Fan	1
99	00090280	Motor Fan Ring	1
100	36320072	Motor Fan Kit	1
101	04660027	Motor fan Cover	1
102	04560180	Electrical Cable	1
103	30010156	Electrical Box Cover	1
104	18170065	Switch Knob	1
105	18020222	Spring	1
106	12090121	O-Ring (9,5x15,5x1)	1
107	14100096	Thermo Switch	1
108	14100097	Thermo Switch Kit	1
109	12100465	O-Ring (1,78x8,73)	1
110	24080155	Switch Lever	1
111	30180014	Elastic Pin	1
113	04560289	Electrical Cable	1
114	14100104	Switch	1
115	30020569	Switch Support	1
116	14100098	Switch Kit	1
117	18250011	Total-Stop Switch	1
118	36250046	Screw	2
119	30010155	Electrical Box	1
120	24340048	Holder	1
121	30180012	Elastic Pin	1
122	12010153	Gasket	1
123	16100826	Electric Diagram	1
124	00090229	Ring	1
125	24160112	Protection	1
126	28030513	Coupling Kit	1
128	12270028	Nut	1
129	24340027	Holder	1
130	32020280	Plug	1
132	28030432	Detergent Coupling Kit	1
133	24340048	Holder	1
134	12010152	Gasket	1



PART KIT

140	50190033	Water Seal Kit	1
141	50250010	Suction/Delivery Kit	1
142	50250019	Suction/Delivery Kit	1