



WORMS
E N T R E P R I S E S

PARTS CATALOG

Model
EX13

Engine Model
EX130DH4087

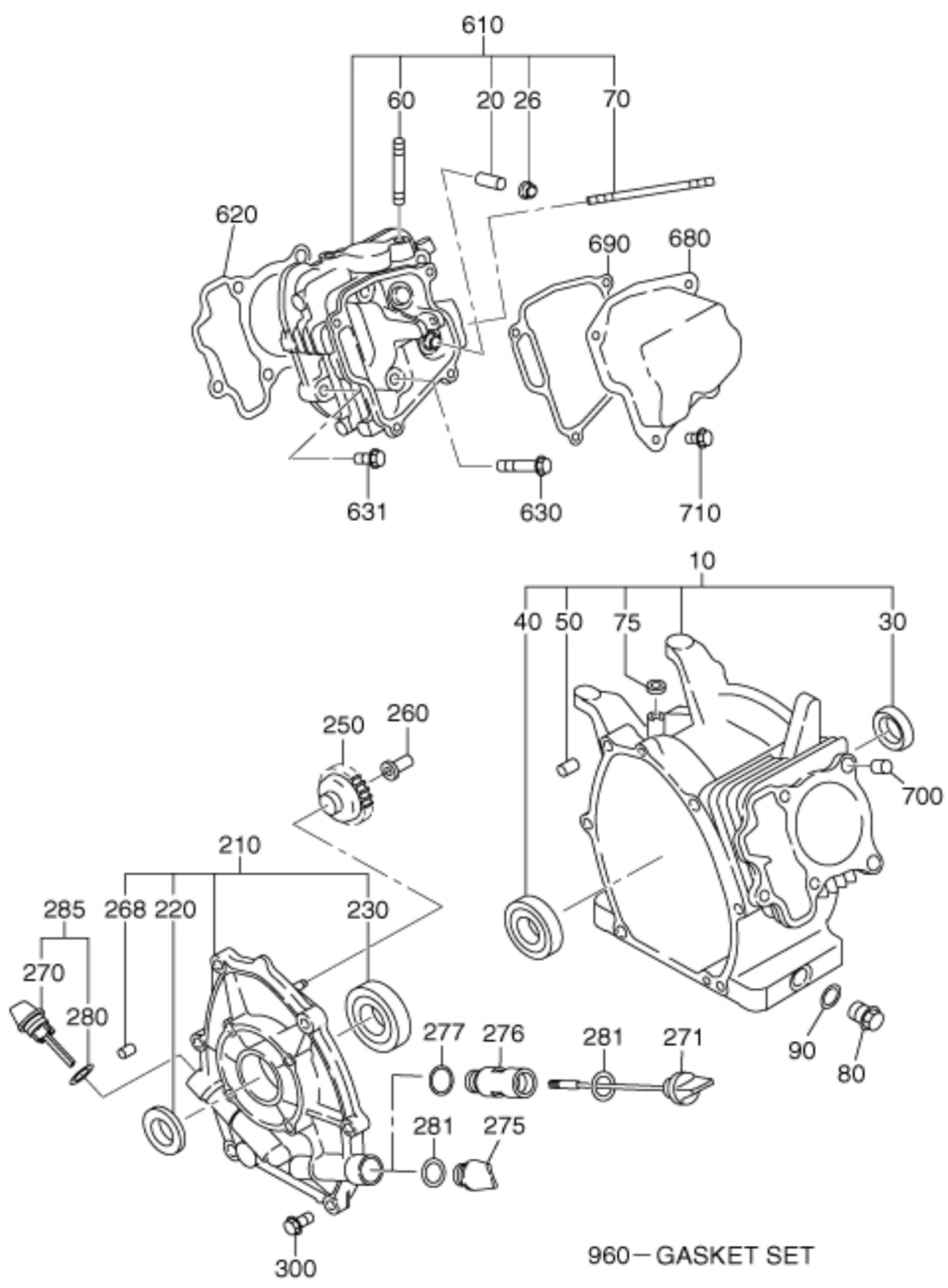
11-08-2021

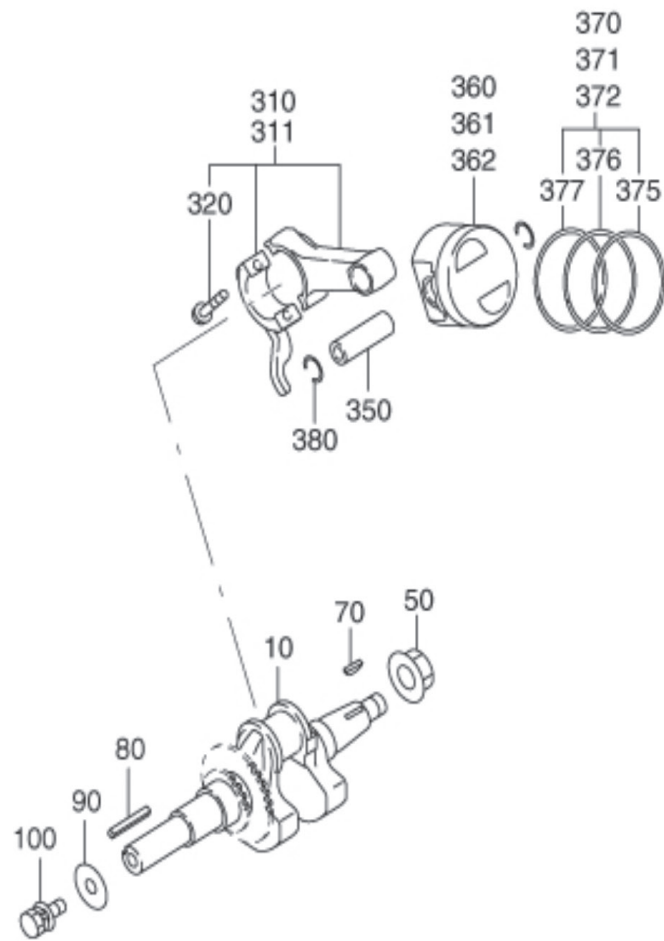


GROUP INDEX

| Group Name | Page |
|----------------------------------|------|
| CRANKCASE GROUP | 4 |
| CRANKSHAFT GROUP | 6 |
| INTAKE and EXHAUST GROUP..... | 8 |
| GOVERNOR GROUP | 12 |
| COOLING and STARTING GROUP | 14 |
| FUEL, LUBRICATION GROUP | 18 |
| ELECTRIC DEVICE GROUP | 22 |
| ACCESSORY GROUP | 26 |

| INDEX OF DESCRIPTION SYMBOLS | | | |
|------------------------------|---------------------|--------------|-------------------|
| SYMBOL | DESCRIPTION | SYMBOL | DESCRIPTION |
| AY | ASSEMBLY | P= | PITCH (in mm) |
| CP | COMPLETE | P.T.O. (PTO) | POWER TAKE OFF |
| EX | EXPORT (from Japan) | REF. | REFERENCE |
| FIG. | FIGURE | R.H. (RH) | RIGHT HAND SIDE |
| FR. | FRONT | RR. | REAR |
| " | INCH | STD. | STANDARD |
| INCL. | INCLUDE | SW | SWITCH |
| ~L | LITER | T= | THICKNESS (in mm) |
| L= | LENGTH (in. mm) | UN | UNIT |
| L.H. (LH) | LEFT-HAND SIDE | U.S. | UNDER SIZE |
| MECH | MECHANICAL | ~V | VOLTAGE |
| NO (NON) | NONE | ~W | WATT |
| OPT. | OPTIONAL | W/ | WITH |
| O.S. | OVER SIZE | W/O | WITHOUT |





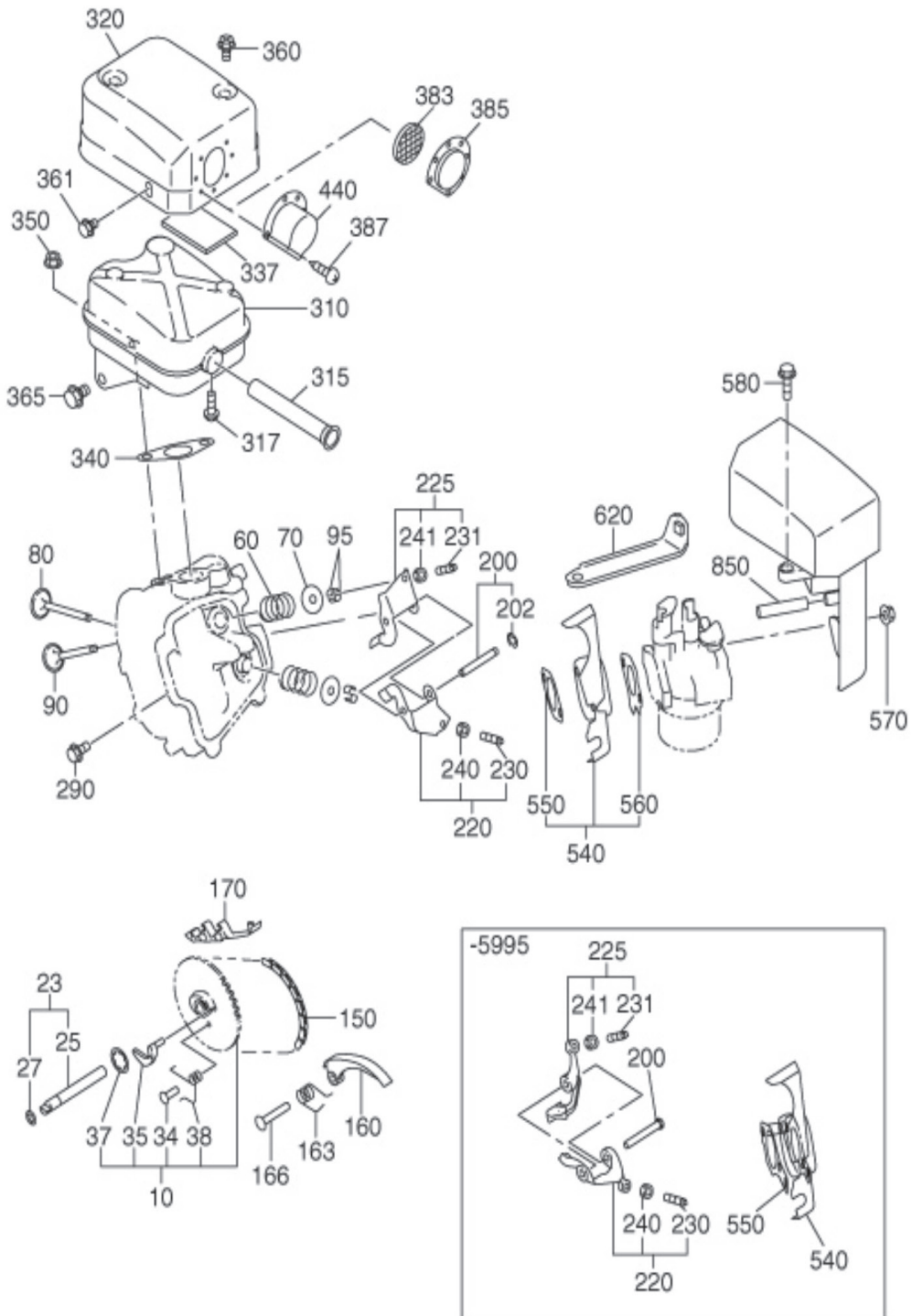
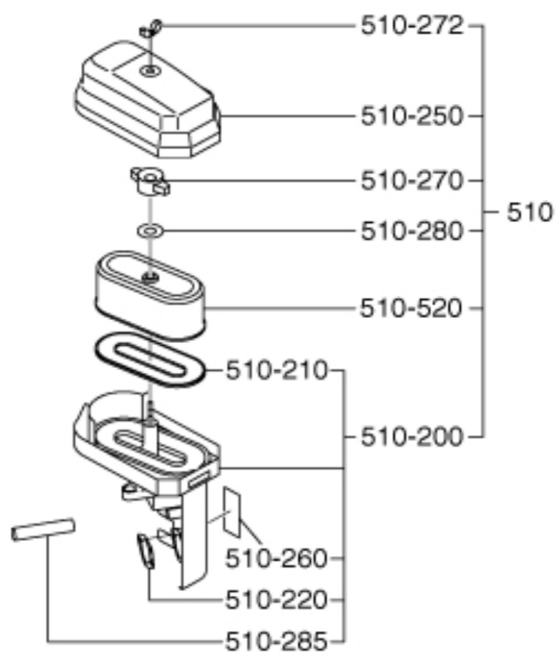
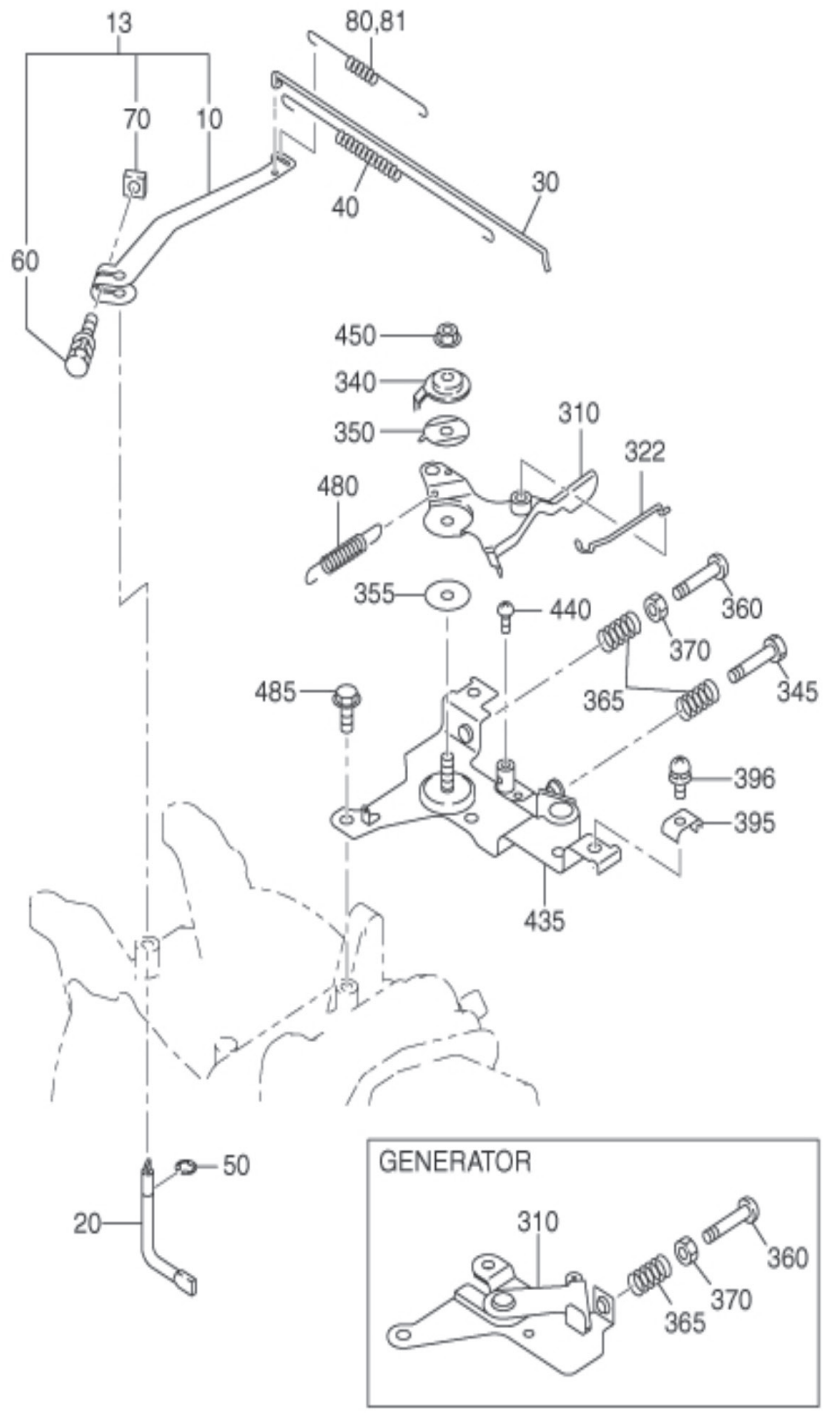


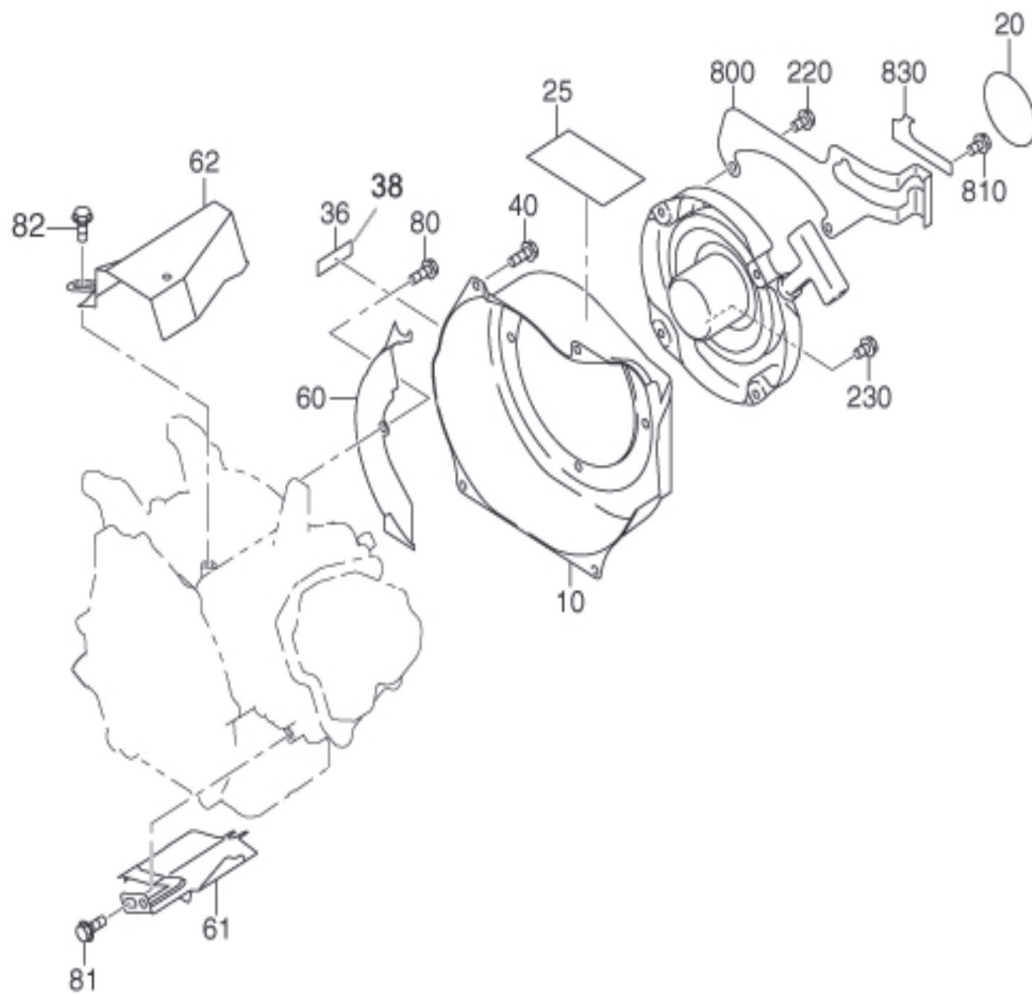
FIG. 300 INTAKE and EXHAUST GROUP

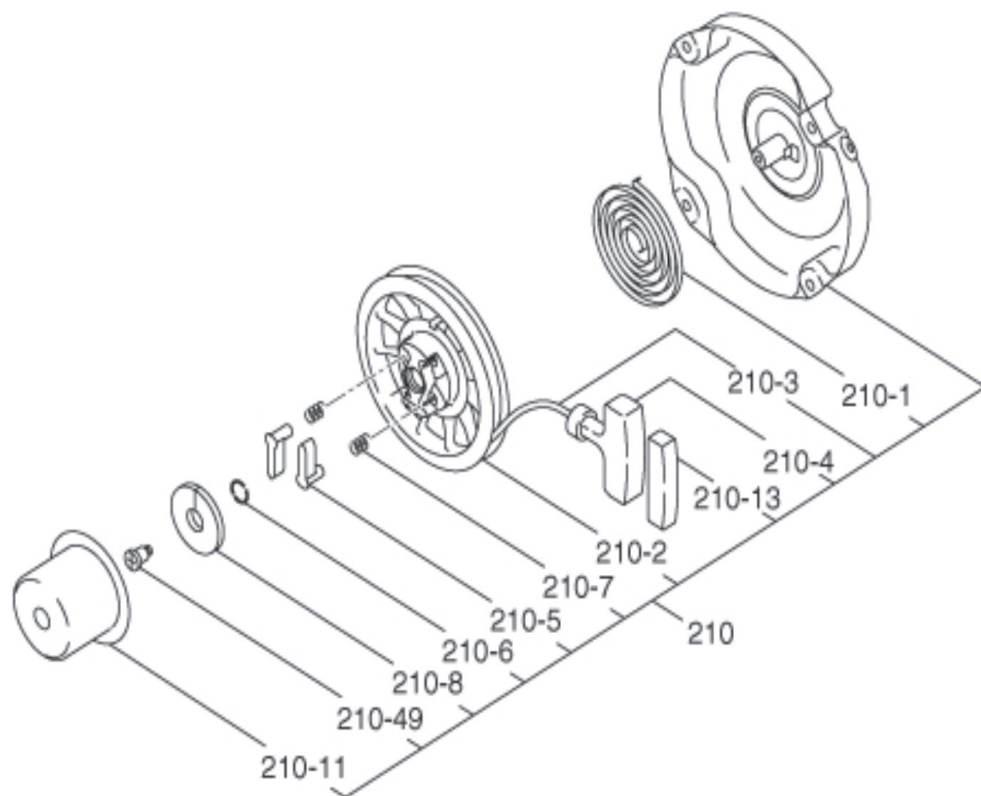
| REF. | PART NUMBER | PART NAME | QTY. | REMARKS |
|------|-------------|--------------------|------|--------------------|
| 10 | 20A3160101 | CAMSHAFT CP | 1 | 85DX2.9B N=40 |
| 23 | 20A3510101 | PIN(CAM SHAFT) CP | 1 | |
| 27 | 20A0280100 | O RING | 1 | 5.8DX9.6D |
| 60 | 20A3360103 | VALVE SPRING | 2 | 19.2DX2.3DX27.4L |
| 70 | 20A3370103 | SPRING RETAINER | 2 | |
| 80 | 24H33402H3 | INTAKE VALVE | 1 | 22DX5.5DX68L |
| 90 | 24H33502H3 | EXHAUST VALVE | 1 | 18.5DX5.5DX68L |
| 95 | 20A3380103 | COLLET-VALVE | 4 | |
| 150 | 24H35602H1 | TIMING CHAIN CP | 1 | 86 LINK |
| 160 | 20A3691103 | TENTIONER | 1 | |
| 163 | 20A3710103 | SPRING(TENTIONER) | 1 | 10DX1.8DX14L N=4.5 |
| 166 | 20A3690203 | PIN(TENTIONER) | 1 | 6DX13DX34L |
| 170 | 20A3691303 | CHAIN GUIDE | 1 | |
| 200 | 20A3500401 | PIN(ROCKER) CP | 1 | |
| 202 | 20A0321100 | CLIP | 1 | 5DX11DX0.6T |
| 220 | 20A3620100 | ROCKER ARM(IN) AY | 1 | |
| 225 | 20A3620200 | ROCKER ARM(EX) AY | 1 | |
| 290 | 20A0111200 | FLANGE BOLT | 1 | M6X1.0X14DX8L |
| 310 | 24H30102K1 | MUFFLER CP | 1 | CATALYST METAL CP |
| 320 | 24H3420141 | MUFFLER COVER CP | 1 | |
| 340 | 20A3520203 | GASKET(MUFFLER) | 1 | T=0.2 26D 9DX58P |
| 350 | 20A0185120 | FLANGE NUT | 2 | M8X1.25X17DX7.5H |
| 360 | 20A0120100 | TAPPING BOLT | 2 | M6X13DX10L |
| 361 | 20A0111200 | FLANGE BOLT | 1 | M6X1.0X14DX8L |
| 365 | 20A0110400 | FLANGE BOLT | 1 | M8X1.25X16DX12L |
| 387 | 20A0140200 | TAPPING SCREW | 2 | M4X6L |
| 440 | 20A3700111 | DEFLECTOR CP | 1 | |
| 540 | 20A3290201 | INSULATOR CP | 1 | |
| 550 | 20A3590303 | GASKET2(INSULATOR) | 1 | T=0.5 |
| 560 | 20A3590203 | GASKET1(INSULATOR) | 1 | T=0.5 |
| 570 | 20A0185200 | FLANGE NUT | 2 | M6X1.0X13DX6H |
| 580 | 20A0111300 | FLANGE BOLT | 1 | M6X1.0X13DX20L |
| 850 | 20A0811100 | BREATHER PIPE | 1 | 8DX11DX104L |
| | | | | |
| | | | | |
| | | | | |

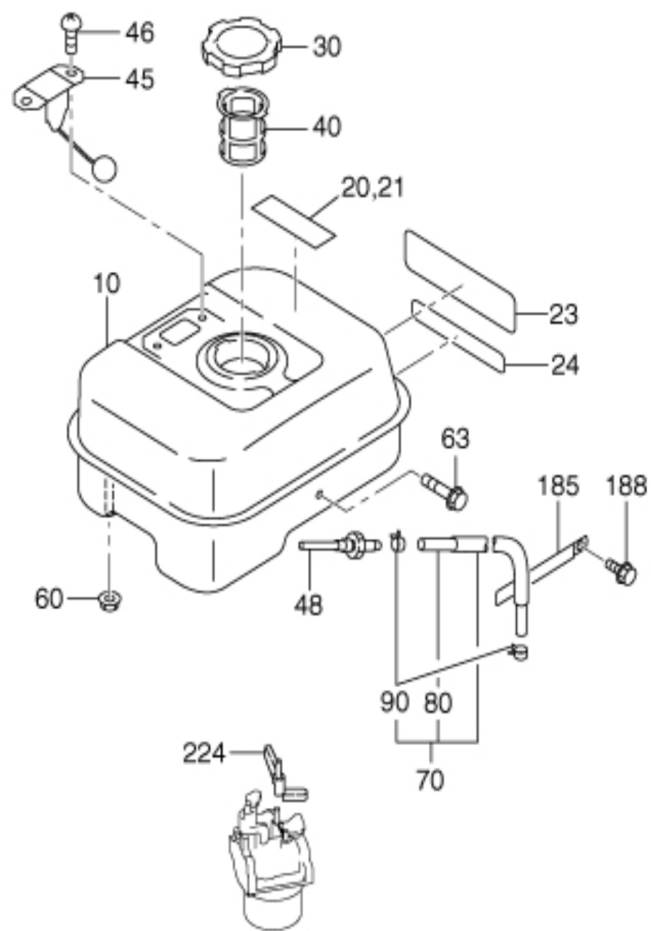
FIG. 310 INTAKE and EXHAUST GROUP

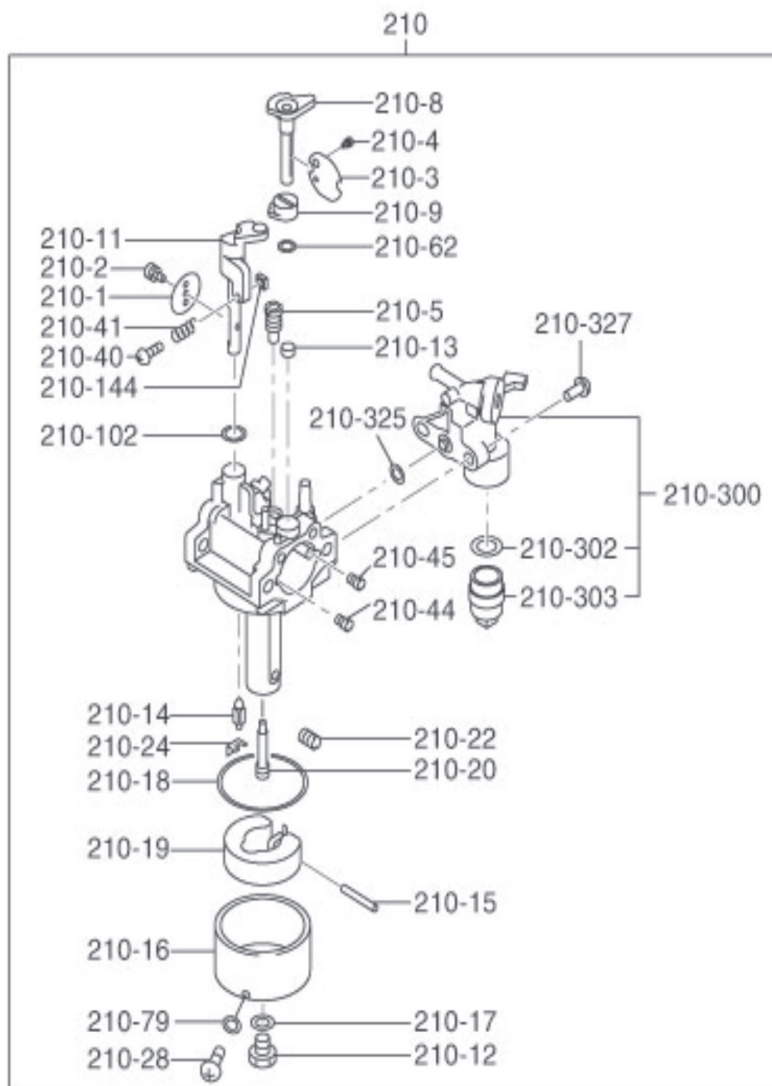


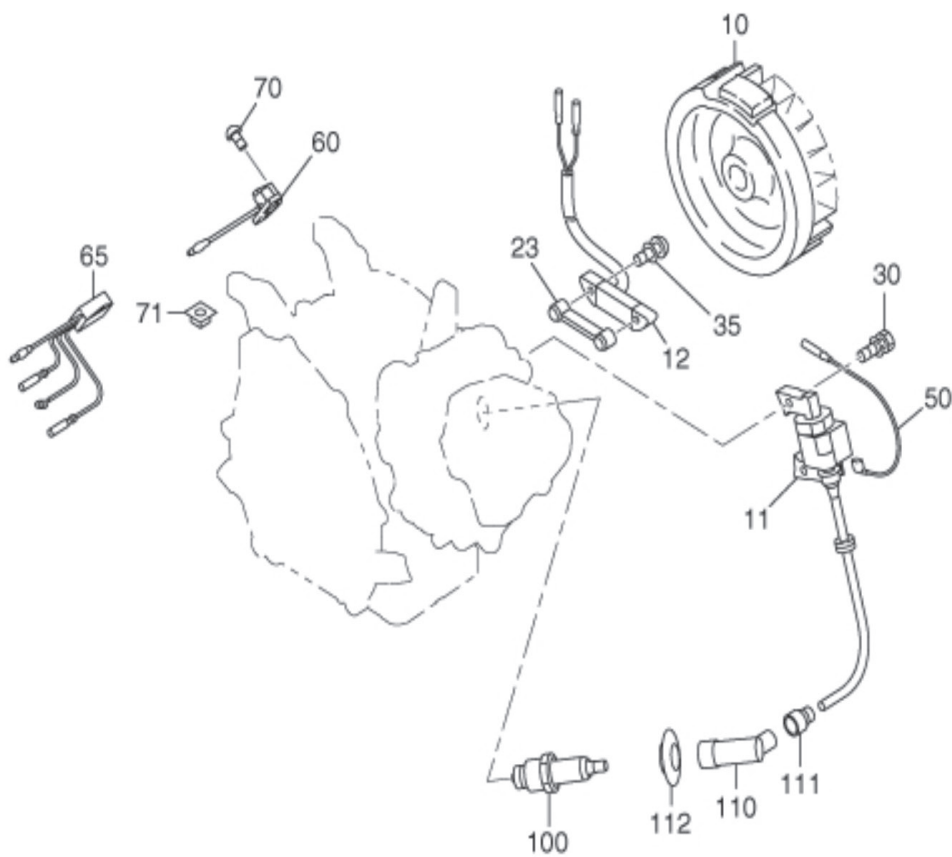


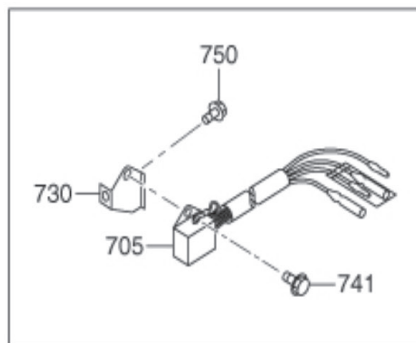
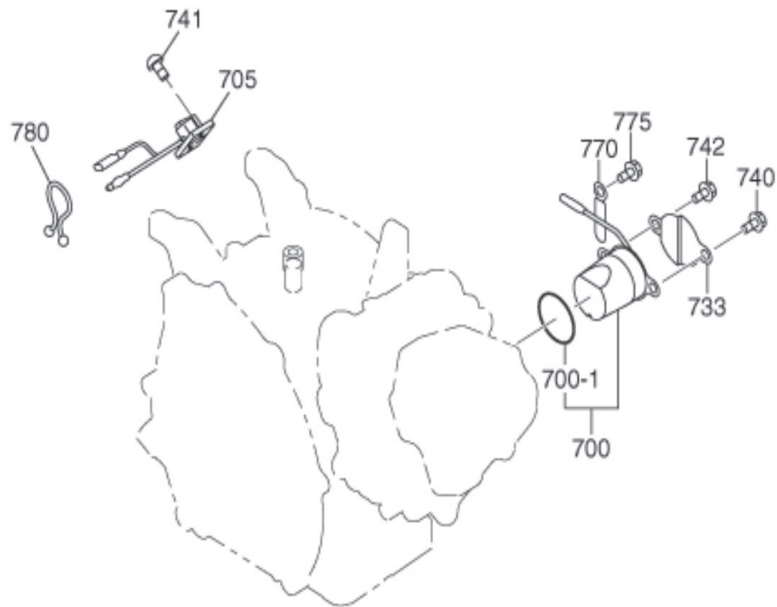


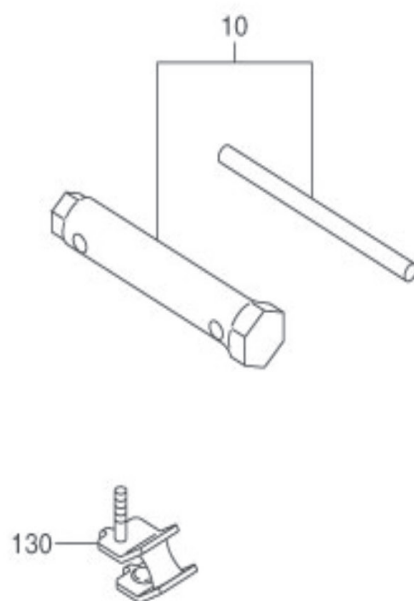












www.wormsentreprises.com



Siège social / Head Office

ZAC de Lamirault

39 rue de Lamirault, 77090 Collégien, FRANCE

TEL. +33 (0) 1 64 76 29 50

FAX +33 (0) 1 64 76 29 99

Services commercial et Pièces de rechange

Sales and Spare Parts Departments

TEL. +33 (0) 1 64 76 29 60

FAX +33 (0) 1 64 76 29 99