



PARTS CATALOG

Model
EX17

Engine Model
EX170DK3483

24-06-2021



GROUP INDEX

Group Name	Page
CRANKCASE GROUP	4
CRANKSHAFT GROUP	6
INTAKE and EXHAUST GROUP	8
GOVERNOR GROUP	12
COOLING and STARTING GROUP	14
FUEL, LUBRICATION GROUP	18
ELECTRIC DEVICE GROUP	22
ACCESSORY GROUP	26

INDEX OF DESCRIPTION SYMBOLS			
SYMBOL	DESCRIPTION	SYMBOL	DESCRIPTION
AY	ASSEMBLY	P=	PITCH (in mm)
CP	COMPLETE	P.T.O. (PTO)	POWER TAKE OFF
EX	EXPORT (from Japan)	REF.	REFERENCE
FIG.	FIGURE	R.H. (RH)	RIGHT HAND SIDE
FR.	FRONT	RR.	REAR
"	INCH	STD.	STANDARD
INCL.	INCLUDE	SW	SWITCH
~L	LITER	T=	THICKNESS (in mm)
L=	LENGTH (in. mm)	UN	UNIT
L.H. (LH)	LEFT-HAND SIDE	U.S.	UNDER SIZE
MECH	MECHANICAL	~V	VOLTAGE
NO (NON)	NONE	~W	WATT
OPT.	OPTIONAL	W/	WITH
O.S.	OVER SIZE	W/O	WITHOUT

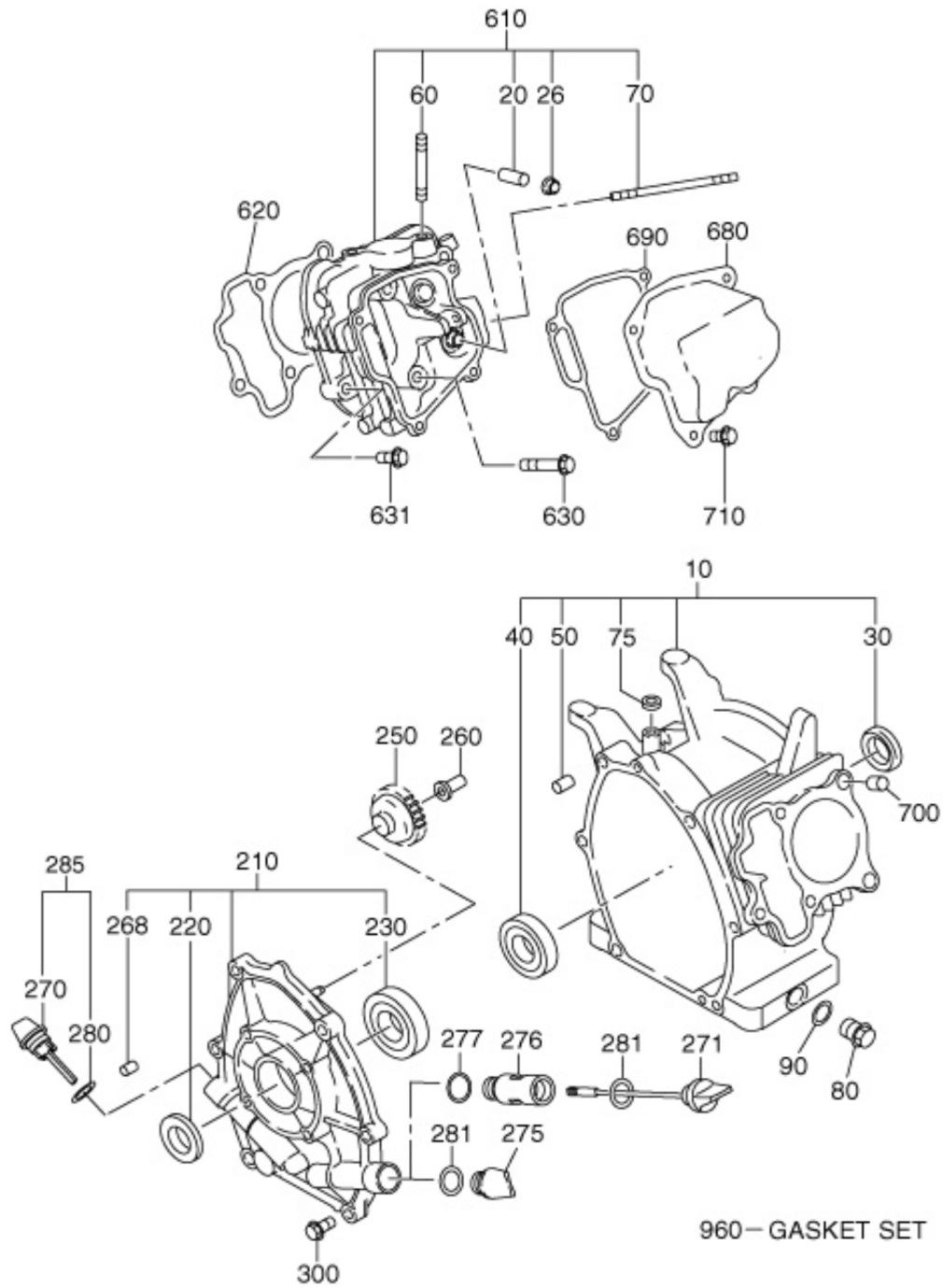
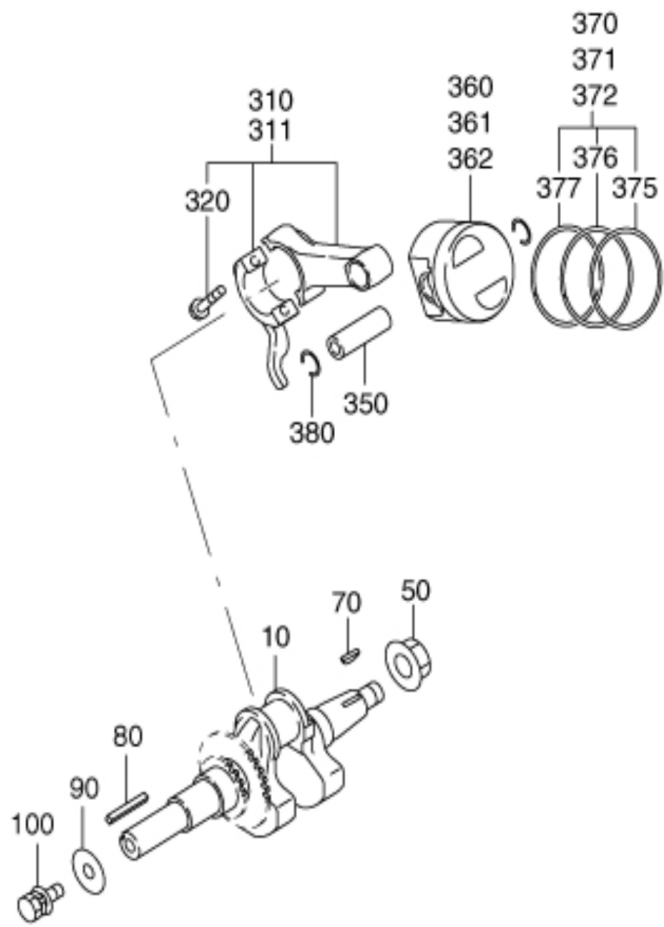


FIG. 100 CRANKCASE GROUP

REF.	PART NUMBER	PART NAME	QTY.	REMARKS
10	20A1011641	CRANK CASE CP	1	W/OIL SENSOR
26	20A1601001	STEM SEAL	1	5.5DX9.5DX15DX7.8B
30	20A0480100	OIL SEAL	1	25DX38DX7B
40	20A0610100	BALL BEARING	1	28DX58DX16B
50	20A1501103	PIPE KNOCK	2	10.3DX8.5DX14L
60	20A0161100	STUD	2	M8X1.25X25L
70	20A0160100	STUD	2	M6X1.0X98L
75	20A0480200	OIL SEAL	1	5.6DX10DX2.5B
80	20A0410100	OIL DRAIN PLUG	2	M14X1.5X20DX12L
90	20A0220100	GASKET 14	2	T=2.3
210	20A1100101	MAIN BEARING COVER C	1	
220	20A0480300	OIL SEAL	1	25DX41.25DX6B
230	20A0610200	BALL BEARING	1	25DX52DX15B
250	20A4500401	GOVERNOR GEAR CP	1	53DX29.1T N=33
260	20A4190103	GOVERNOR SLEEVE	1	6DX7.6DX16DX26L
285	20A6360100	OIL GAUGE AY	2	M18X1.5 L=70+18
300	20A0110100	FLANGE BOLT	6	M8X1.25X16DX35L
610	20A1300101	CYLINDER HEAD CP	1	
620	20A1500103	GASKET (HEAD)	1	T=0.2
630	20A0110200	FLANGE BOLT	4	M8X1.25X16DX68L
631	20A0110300	FLANGE BOLT	1	M8X1.25X16DX33L
680	20A1550501	ROCKER COVER CP	1	
690	20A1600113	GASKET(ROCKER COVER)	1	T=0.5
700	20A1501103	PIPE KNOCK	2	10.3DX8.5DX14L
710	20A0111100	FLANGE BOLT	4	M6X1.0X14DX12L





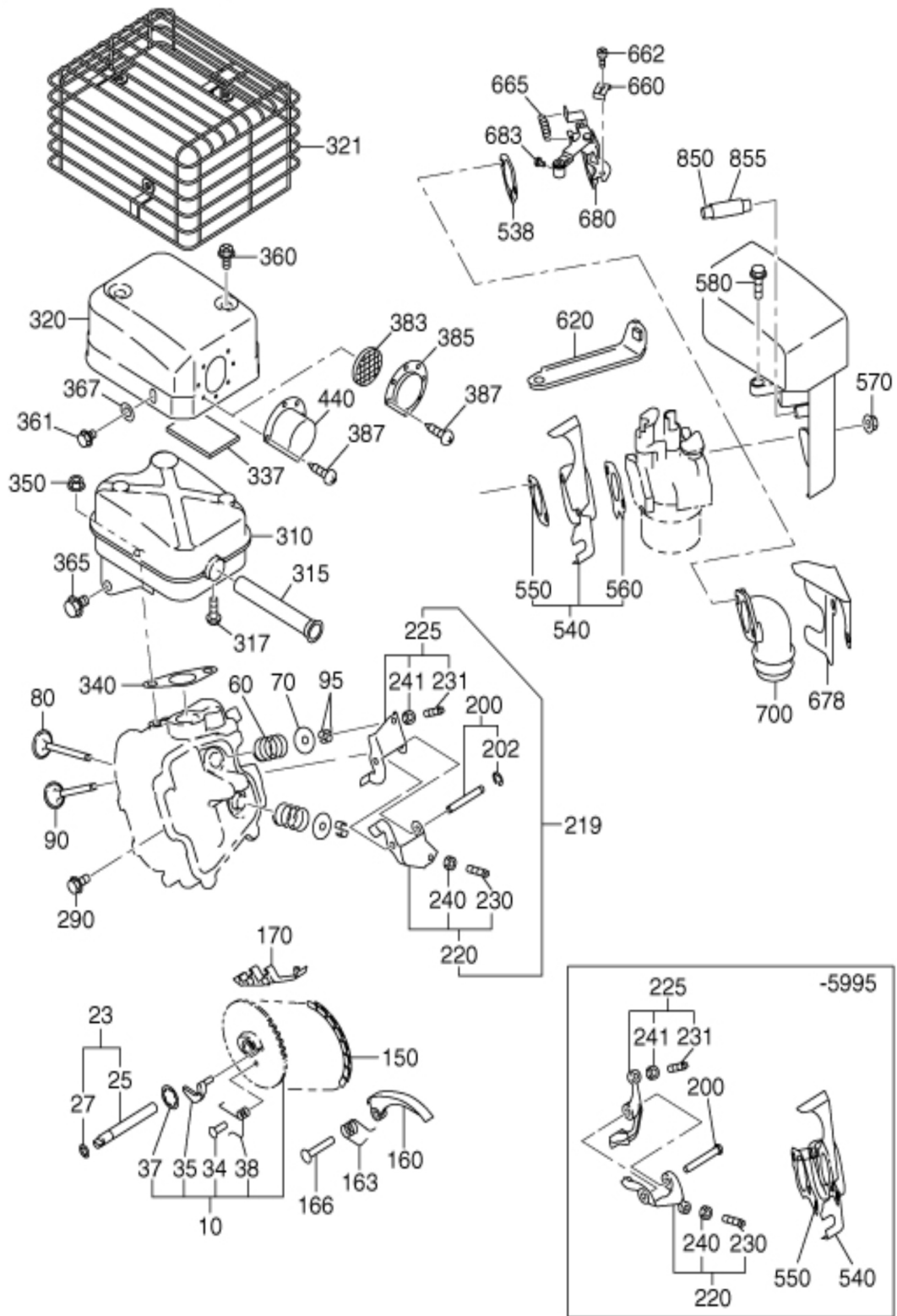
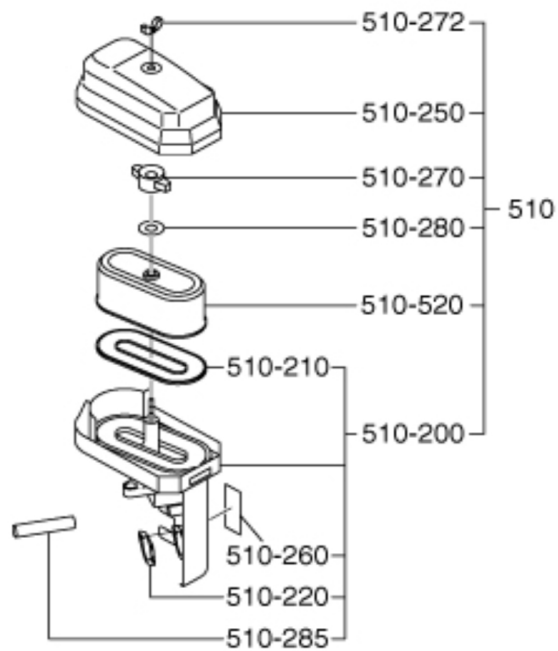
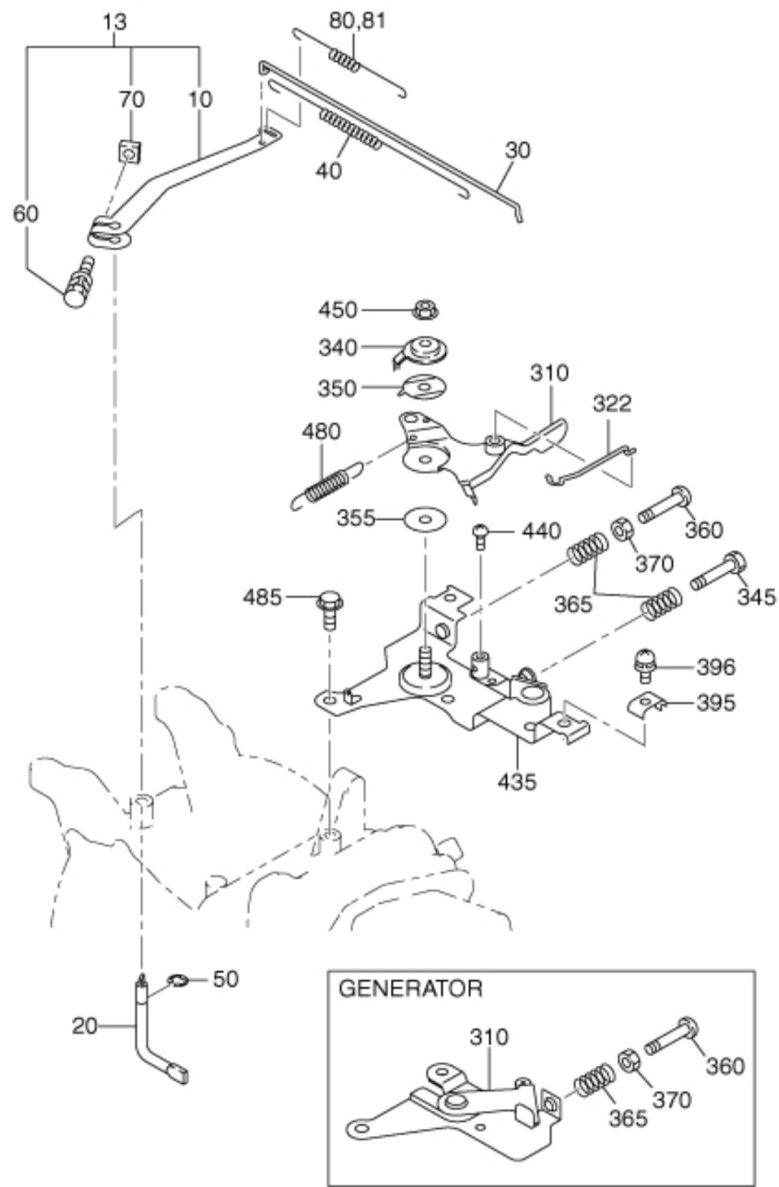


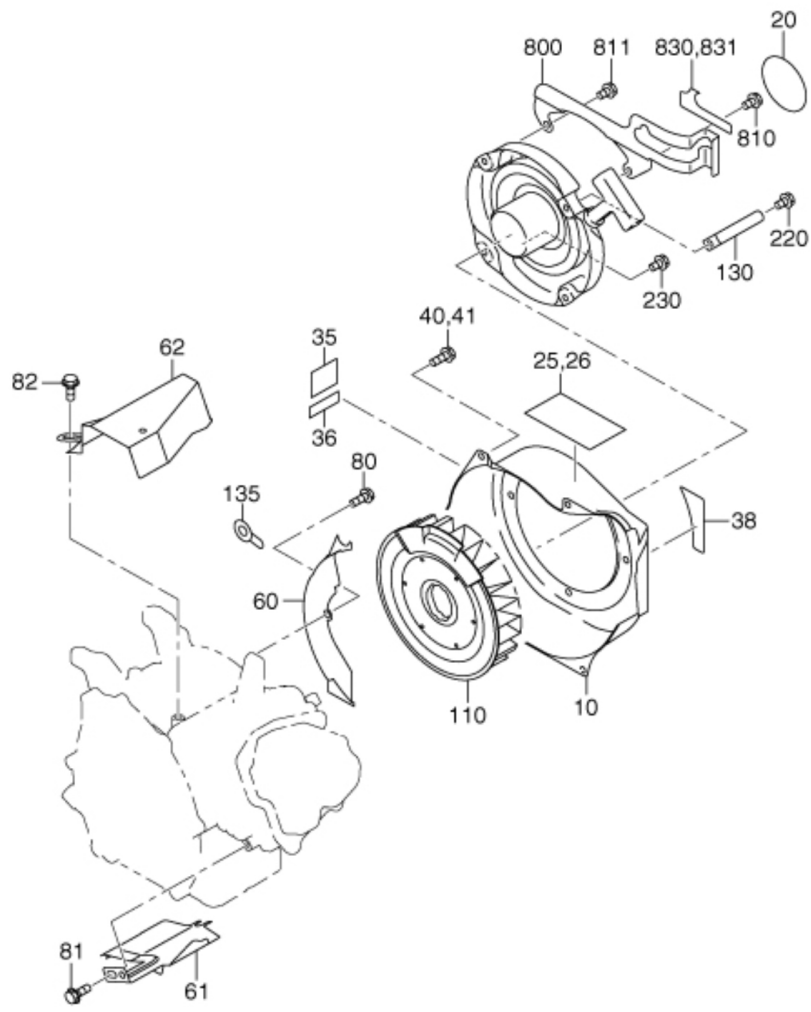
FIG. 300 INTAKE and EXHAUST GROUP

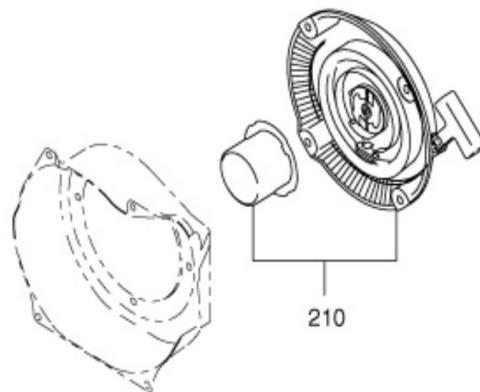
REF.	PART NUMBER	PART NAME	QTY.	REMARKS
10	20A3160101	CAM SHAFT CP	1	85DX2.9B N=40
23	20A3510101	PIN(CAM SHAFT) CP	1	
27	20A0280100	O RING	1	5.8DX9.6D
60	20A3360103	VALVE SPRING	2	19.2DX2.3DX27.4L
70	20A3370103	SPRING RETAINER	2	
80	20A3340103	INTAKE VALVE	1	25.5DX5.5DX68.1L
90	20A3350103	EXHAUST VALVE	1	23.5DX5.5DX68.1L
95	20A3380103	COLLET-VALVE	4	
150	20A3560101	TIMING CHAIN CP	1	88 LINK
160	20A3691103	TENTIONER	1	
163	20A3710103	SPRING(TENTIONER)	1	10DX1.8DX14L N=4.5
166	20A3690203	PIN(TENTIONER)	1	6DX13DX34L
170	20A3691303	CHAIN GUIDE	1	
200	20A3500401	PIN(ROCKER) CP	1	6DX47L
202	20A0321100	CLIP	1	5DX11DX0.6T
220	20A3620100	ROCKER ARM(IN) AY	1	
225	20A3620200	ROCKER ARM(EX) AY	1	M5X0.5X23L
290	20A0111100	FLANGE BOLT	1	M6X1.0X14DX12L
310	20A3010111	MUFFLER CP	1	
320	20A3420101	MUFFLER COVER CP	1	
340	20A3520103	GASKET(MUFFLER)	1	T=0.2 26D 9DX58P
350	20A0185120	FLANGE NUT	2	M8X1.25X17DX7.5H
360	20A0120100	TAPPING BOLT	2	M6X13DX10L
361	20A0111200	FLANGE BOLT	1	M6X1.0X14DX8L
365	20A0110400	FLANGE BOLT	1	M8X1.25X16DX12L
367	20A0210100	WASHER	1	6.5DX12DX1.6T
383	20A3722203	SUS MESH	1	
387	20A0140200	TAPPING SCREW	2	M4X6L
440	20A3700111	DEFLECTOR CP	1	W/SCREEN
540	20A3290201	INSULATOR CP	1	
550	20A3590303	GASKET 2(INSULATOR)	1	T=0.5
560	20A3590203	GASKET 1(INSULATOR)	1	T=0.5
570	20A0185200	FLANGE NUT	2	M6X1.0X13DX6H
580	20A0111300	FLANGE BOLT	1	M6X1.0X13DX20L
850	20A0811100	BREATHER PIPE	1	8DX11DX104L

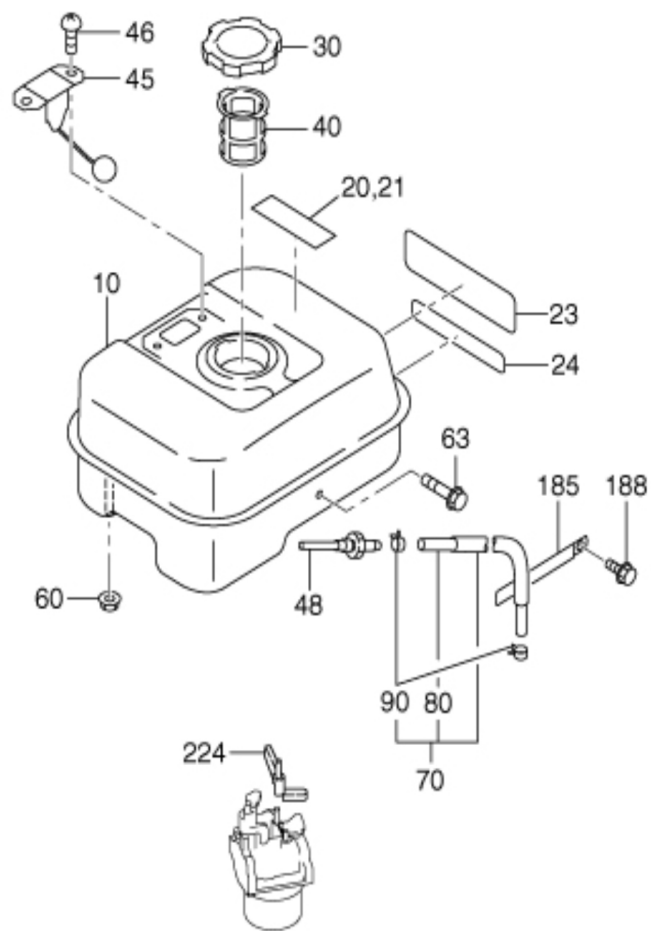
FIG. 310 INTAKE and EXHAUST GROUP

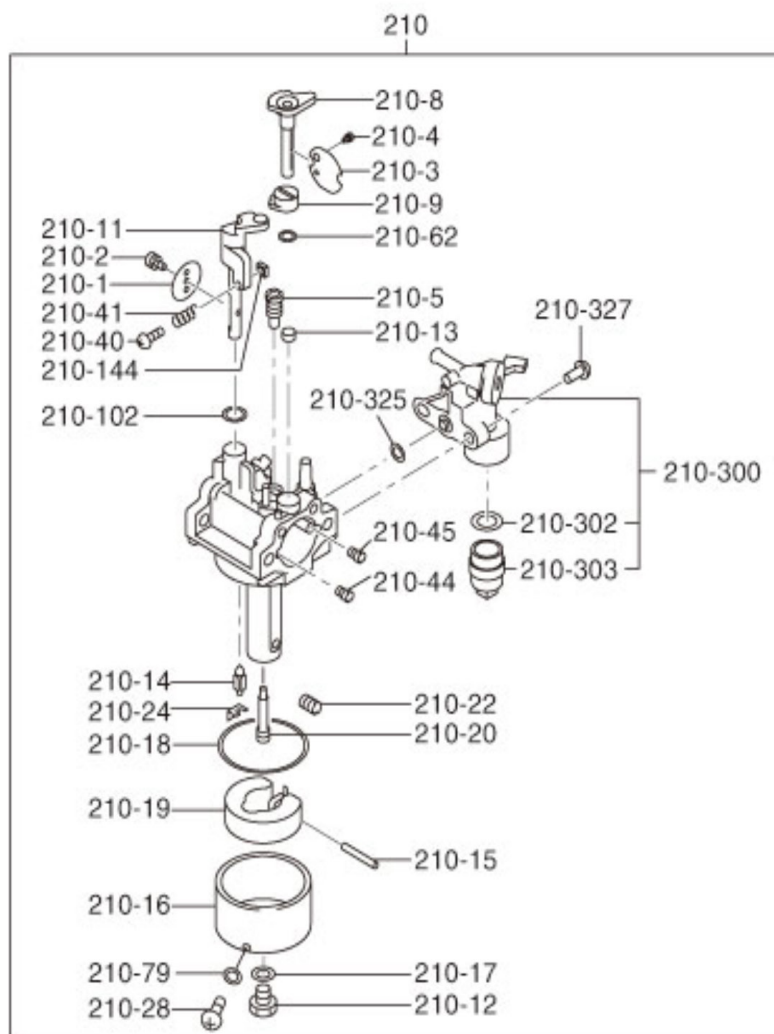


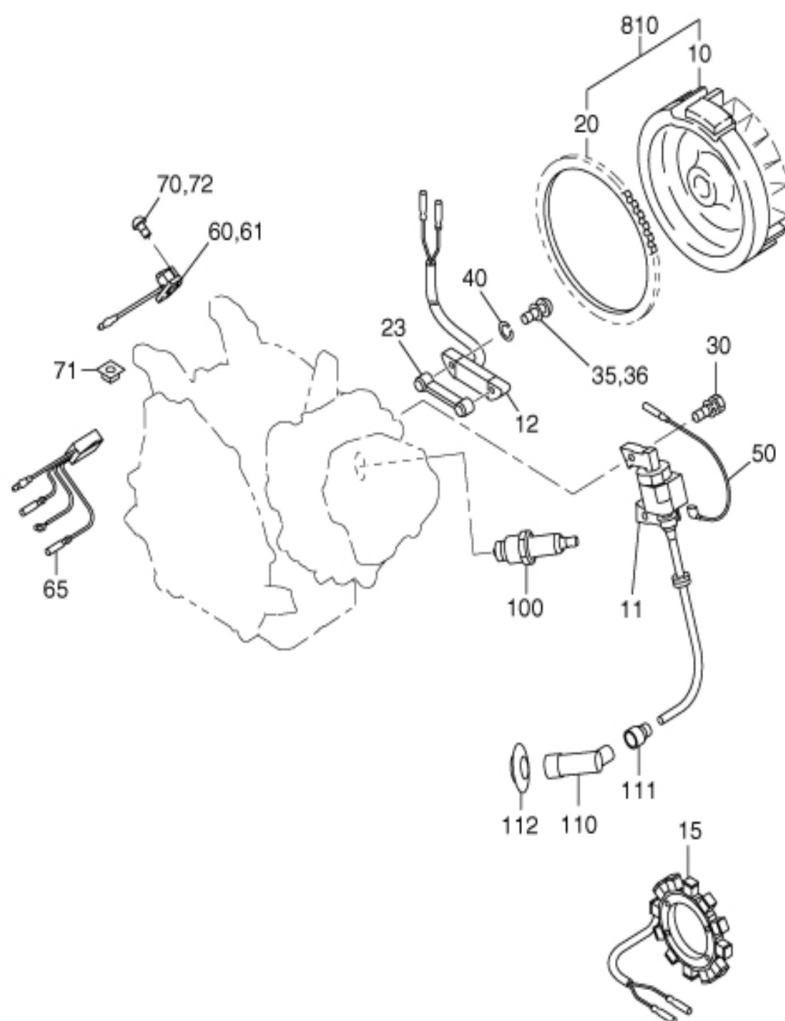


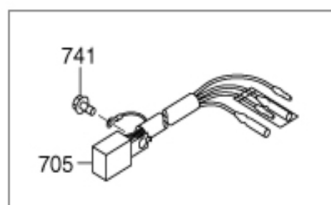
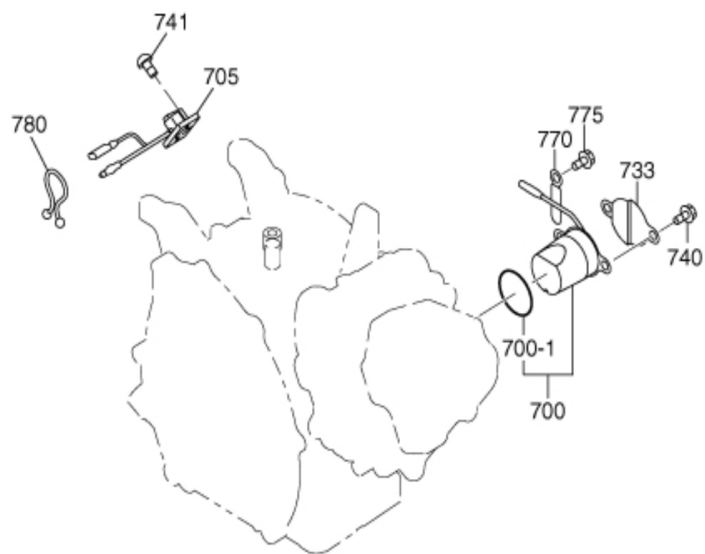


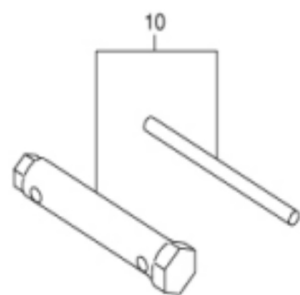












www.wormsentreprises.com



Siège social / Head Office

ZAC de Lamirault

39 rue de Lamirault, 77090 Collégien, FRANCE

TEL. +33 (0) 1 64 76 29 50

FAX +33 (0) 1 64 76 29 99

Services commercial et Pièces de rechange

Sales and Spare Parts Departments

TEL. +33 (0) 1 64 76 29 60

FAX +33 (0) 1 64 76 29 99