



# PARTS CATALOG

Model  
**EX21**

Engine Model  
EX210DK3300

13-08-2021



## GROUP INDEX

Group Name	Page
CRANKCASE GROUP .....	4
CRANKSHAFT GROUP .....	6
INTAKE and EXHAUST GROUP.....	8
GOVERNOR GROUP .....	12
COOLING and STARTING GROUP .....	14
FUEL, LUBRICATION GROUP .....	18
CARBURETOR GROUP .....	20
ELECTRIC DEVICE GROUP .....	22
ACCESSORY GROUP .....	26

INDEX OF DESCRIPTION SYMBOLS			
SYMBOL	DESCRIPTION	SYMBOL	DESCRIPTION
AY	ASSEMBLY	P=	PITCH (in mm)
CP	COMPLETE	P.T.O. (PTO)	POWER TAKE OFF
EX	EXPORT (from Japan)	REF.	REFERENCE
FIG.	FIGURE	R.H. (RH)	RIGHT HAND SIDE
FR.	FRONT	RR.	REAR
"	INCH	STD.	STANDARD
INCL.	INCLUDE	SW	SWITCH
~L	LITER	T=	THICKNESS (in mm)
L=	LENGTH (in. mm)	UN	UNIT
L.H. (LH)	LEFT-HAND SIDE	U.S.	UNDER SIZE
MECH	MECHANICAL	~V	VOLTAGE
NO (NON)	NONE	~W	WATT
OPT.	OPTIONAL	W/	WITH
O.S.	OVER SIZE	W/O	WITHOUT

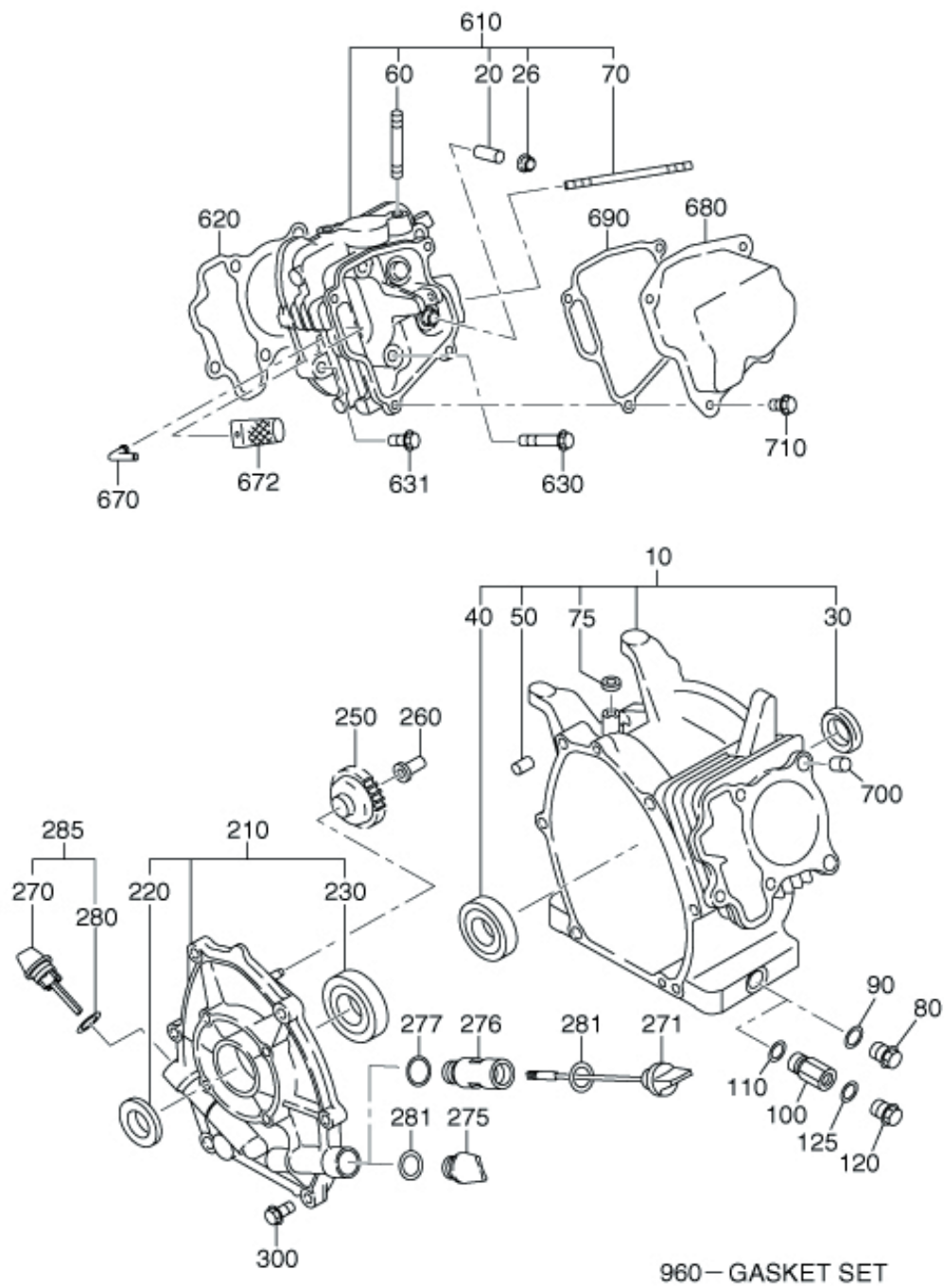
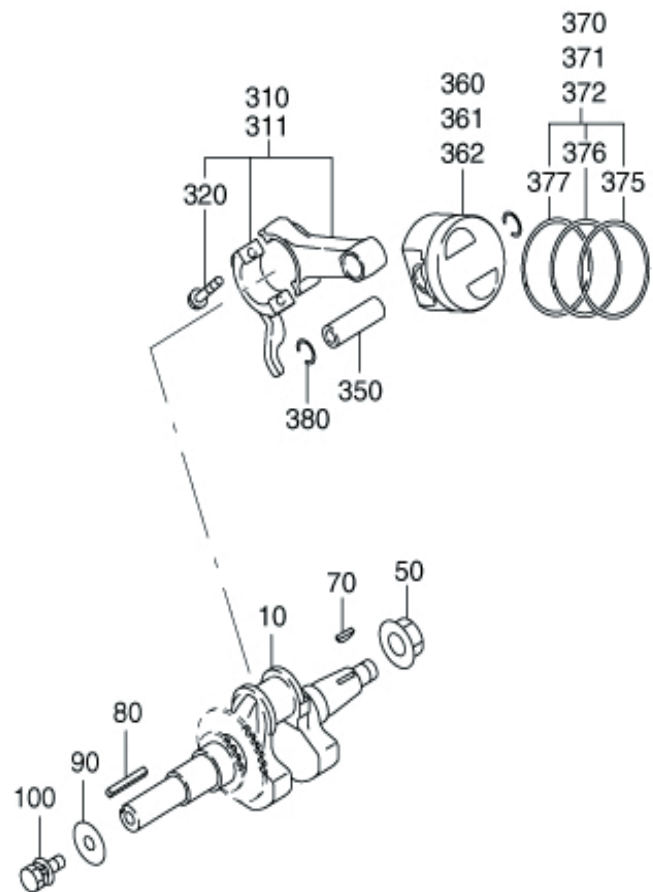


FIG. 100

## CRANKCASE GROUP

REF.	PART NUMBER	PART NAME	QTY.	REMARKS
10	21D1010121	CRANKCASE CP	1	
20	20A1420103	VALVE GUIDE	2	5.5DX9.5DX27L
26	20A1601001	STEM SEAL	1	5.5DX9.5DX15DX7.8B
30	20A0480100	OIL SEAL	1	25DX38DX7B
40	20A0610100	BALL BEARING	1	28DX58DX16B
50	20A1501103	PIPE KNOCK	2	
60	20A0161100	STUD	2	M8X1.25X28L
70	20A0160100	STUD	2	M6X1.0X98L
75	20A0480200	OIL SEAL	1	
80	20A0410100	OIL DRAIN PLUG	2	
90	20A0220100	GASKET 14	2	
210	20A1100201	MAIN BEARING COVER C	1	FLANGE 4-5/16-24UNF
220	20A0480300	OIL SEAL	1	25DX41.25DX6B
230	20A0610200	BALL BEARING	1	25DX52DX15B
250	20A4500401	GOVERNOR GEAR CP	1	
260	20A4190103	GOVERNOR SLEEVE	1	
280	20A0230100	GASKET	2	
285	20A6360100	OIL GAUGE AY	2	
300	20A0110100	FLANGE BOLT	6	M8X1.25X16DX35L
610	21D1300101	CYLINDER HEAD CP	1	
620	20A1500103	GASKET (HEAD)	1	T=0.2
630	20A0110200	FLANGE BOLT	4	M8X1.25X16DX68L
631	20A0110300	FLANGE BOLT	1	M8X1.25X16DX33L
680	20A1550501	ROCKER COVER CP	1	
690	20A1600113	GASKET(ROCKER COVER)	1	T=0.5
700	20A1501103	PIPE KNOCK	2	
710	20A0111100	FLANGE BOLT	4	M6X1.0X14DX12L





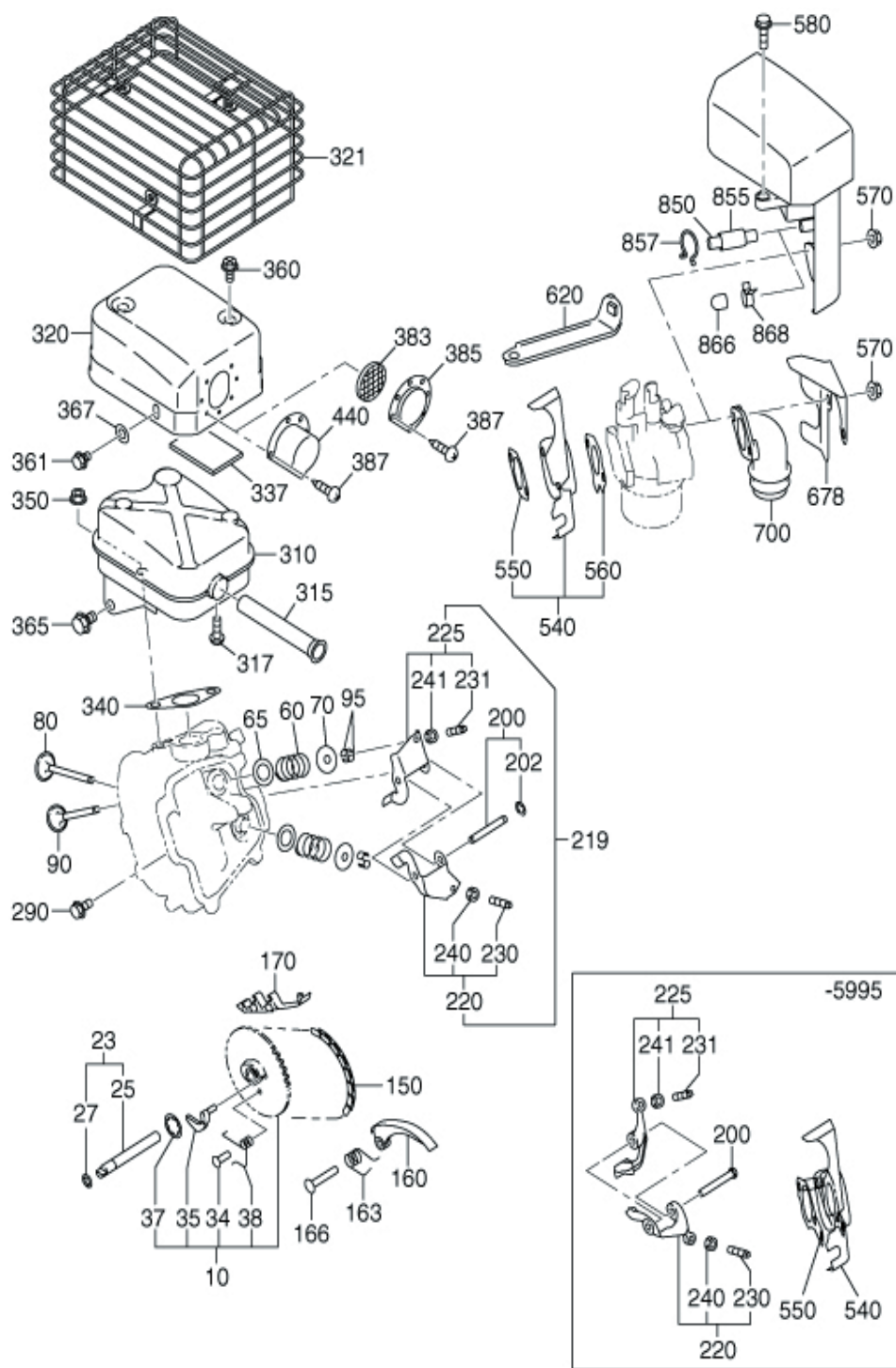

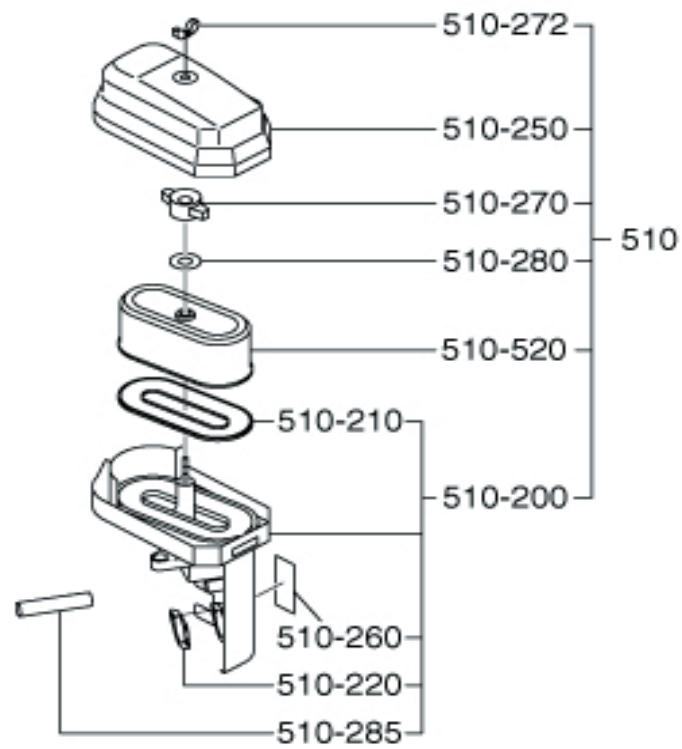


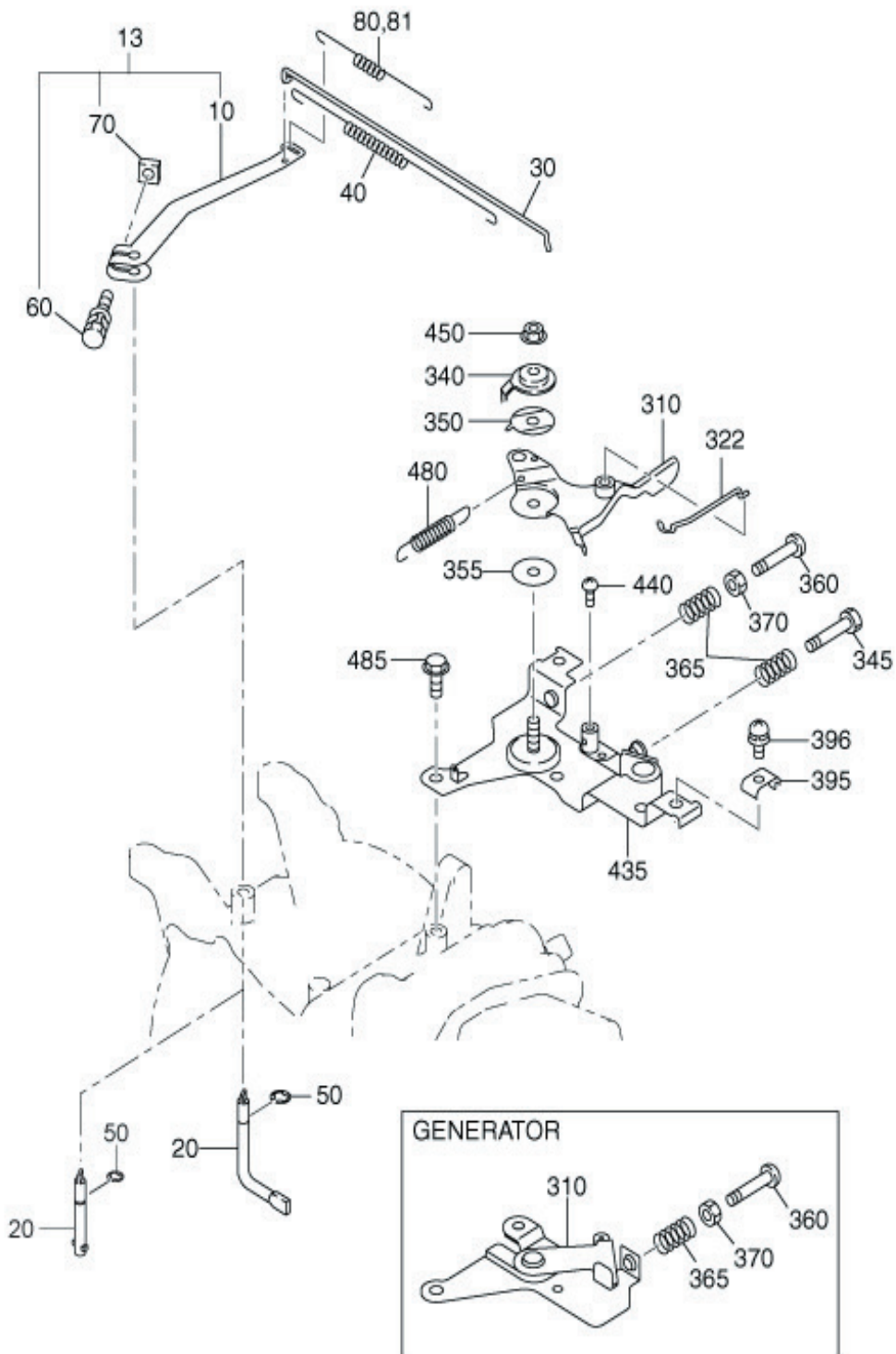


FIG. 300 INTAKE and EXHAUST GROUP

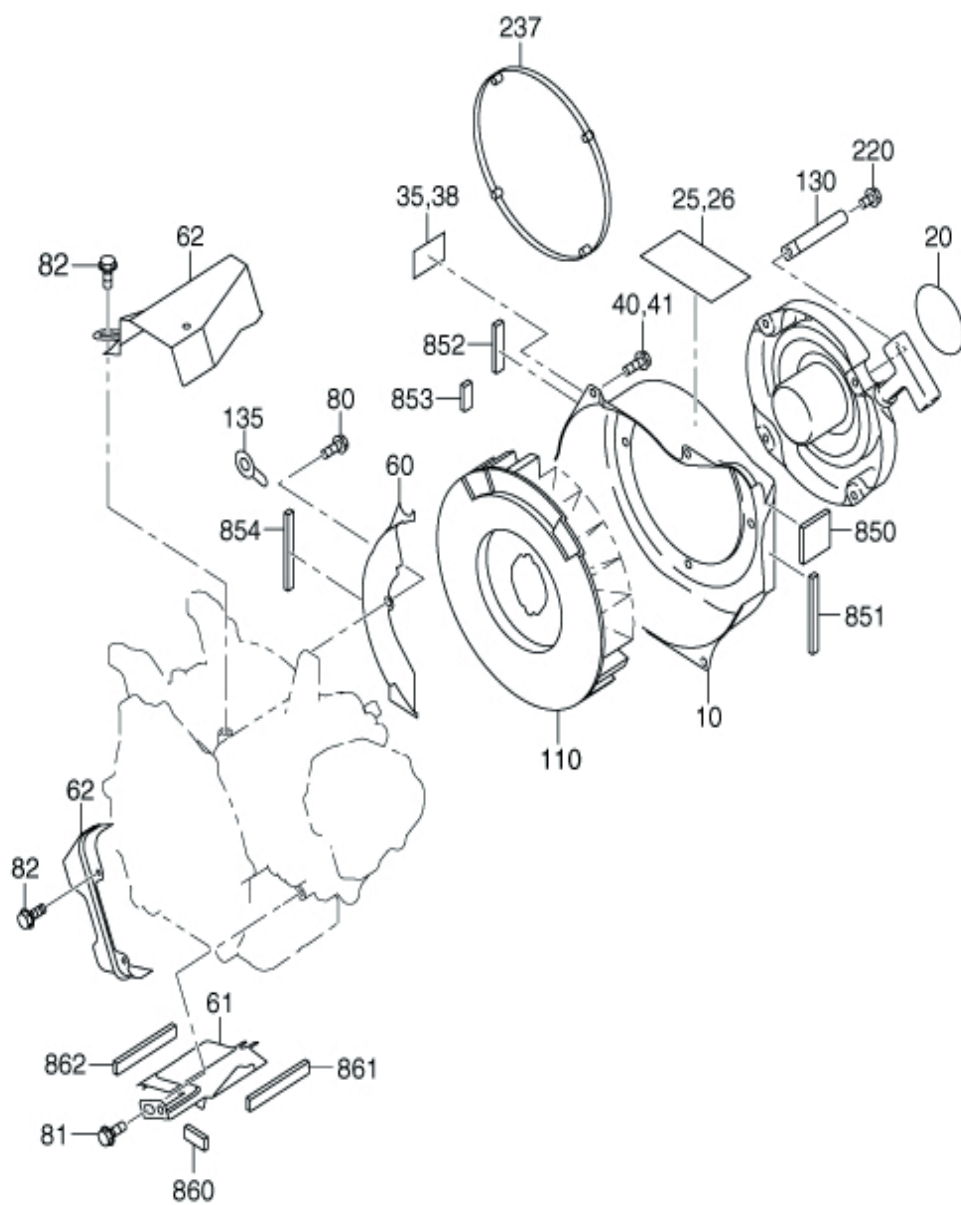
REF.	PART NUMBER	PART NAME	QTY.	REMARKS
10	20A3160101	CAM SHAFT CP	1	85DX2.9B N=40
23	20A3510101	PIN(CAM SHAFT) CP	1	
27	20A0280100	O RING	1	5.8DX9.6D
60	20A3360103	VALVE SPRING	2	19.2DX2.3DX27.4L
70	20A3370103	SPRING RETAINER	2	
80	20A3340103	INTAKE VALVE	1	25.5DX5.5DX68.1L
90	20A3350103	EXHAUST VALVE	1	23.5DX5.5DX68.1L
95	20A3380103	COLLET-VALVE	4	
150	21D3560101	TIMING CHAIN CP	1	92 LINK
160	20A3691103	TENTIONER	1	
163	20A3710103	SPRING(TENTIONER)	1	10DX1.8DX14L N=4.5
166	20A3690203	PIN(TENTIONER)	1	6DX13DX34L
170	20A3691303	CHAIN GUIDE	1	
200	20A3500401	PIN(ROCKER) CP	1	
202	20A0321100	CLIP	1	5DX11DX0.6T
220	20A3620100	ROCKER ARM(IN) AY	1	
225	20A3620200	ROCKER ARM(EX) AY	1	
290	20A0111100	FLANGE BOLT	1	M6X1.0X14DX12L
310	20A3010111	MUFFLER CP	1	
320	20A3420101	MUFFLER COVER CP	1	
340	20A3520103	GASKET(MUFFLER)	1	T=0.2 26D 9DX58P
350	20A0185120	FLANGE NUT	2	M8X1.25X17DX7.5H
360	20A0120100	TAPPING BOLT	2	M6X13DX10L
361	20A0111200	FLANGE BOLT	1	M6X1.0X14DX8L
365	20A0110400	FLANGE BOLT	1	M8X1.25X16DX12L
367	20A0210100	WASHER	1	
385	20A3720301	SCREEN CP	1	
387	20A0140200	TAPPING SCREW	2	M4X6L
540	20A3290300	INSULATOR CP	1	
550	20A3590303	GASKET 2(INSULATOR)	1	T=0.5
560	20A3590203	GASKET 1(INSULATOR)	1	T=0.5
570	20A0185200	FLANGE NUT	2	M6X1.0X13DX6H
580	20A0111300	FLANGE BOLT	1	M6X1.0X13DX20L
850	20A0811100	BREATHER PIPE	1	8DX11DX104L
				



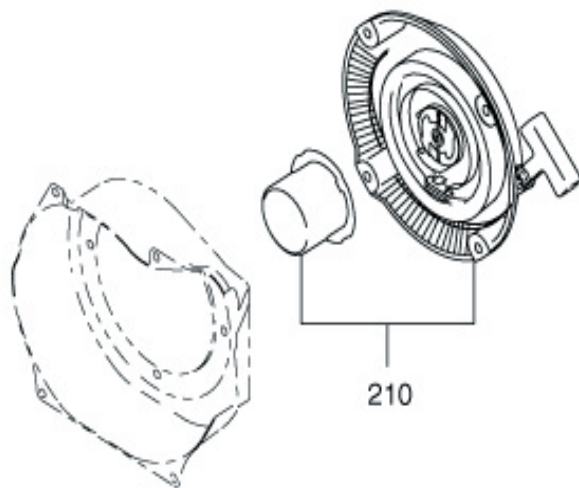






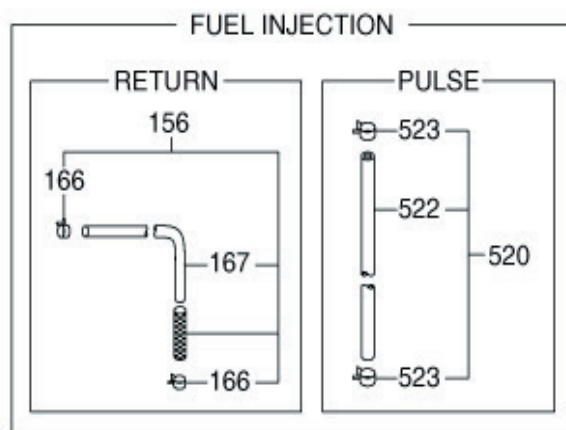
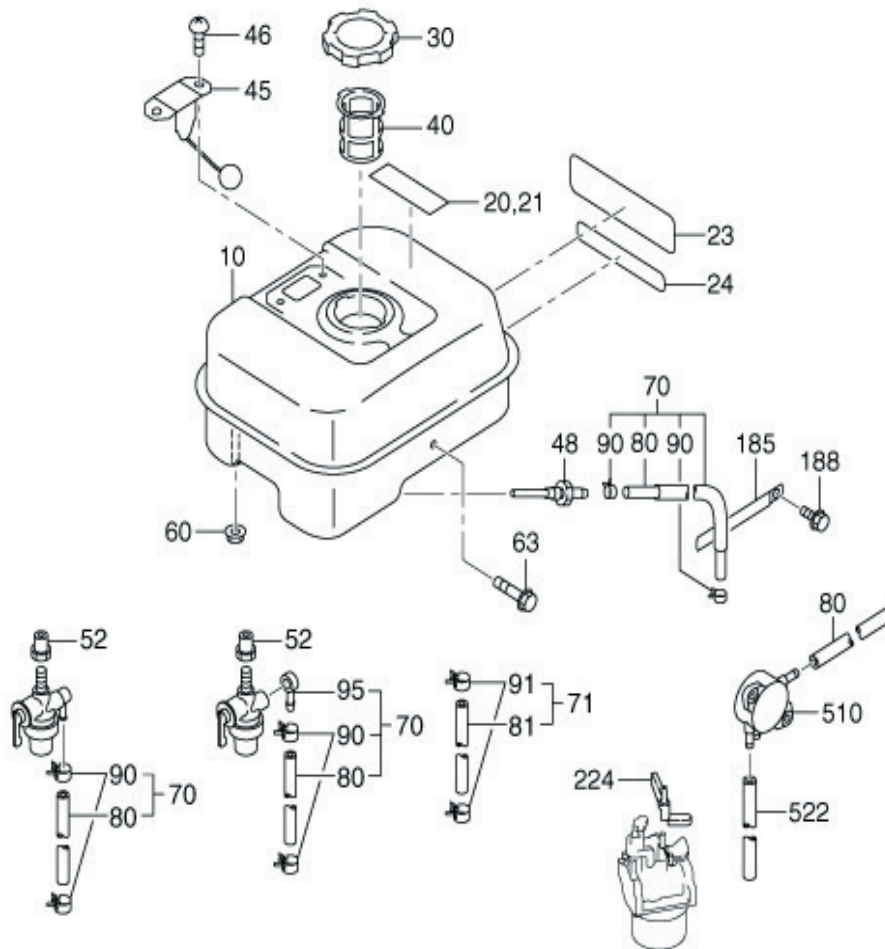






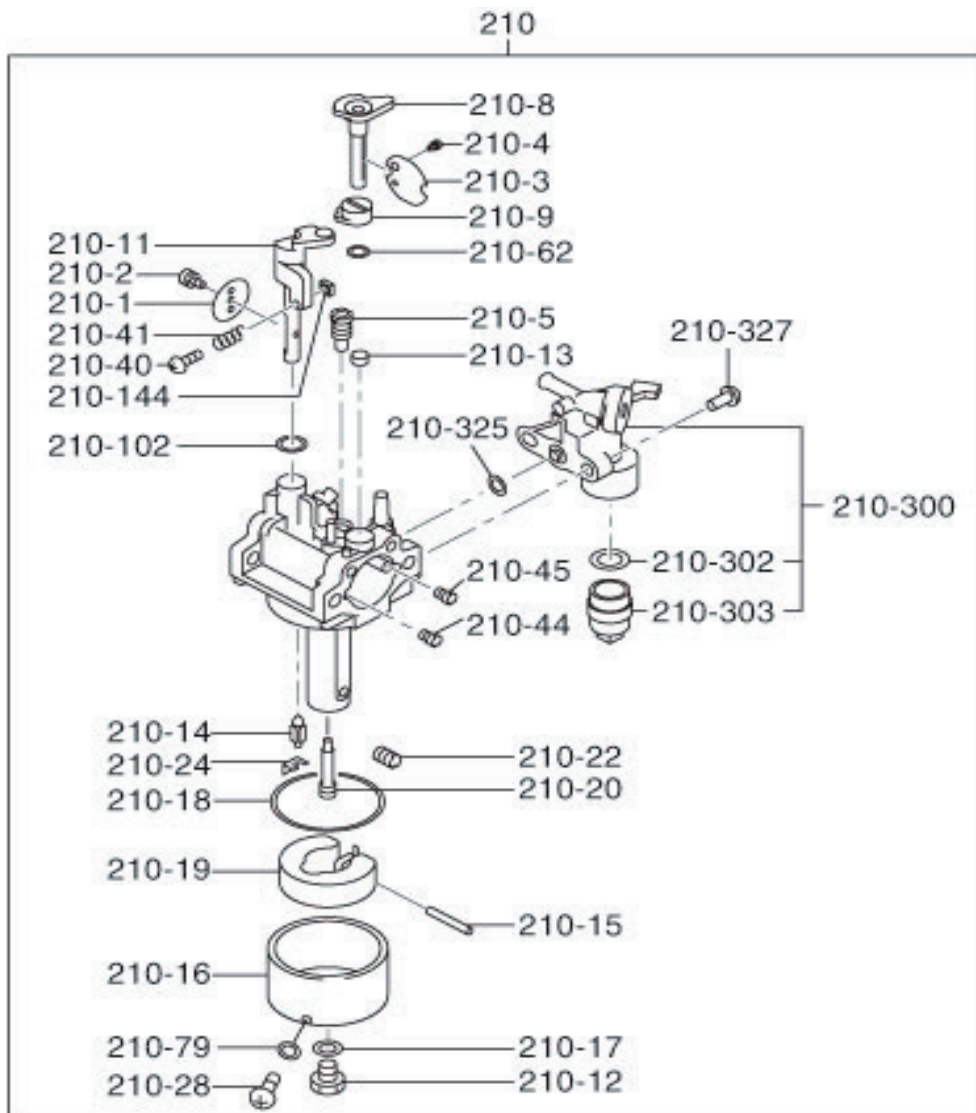




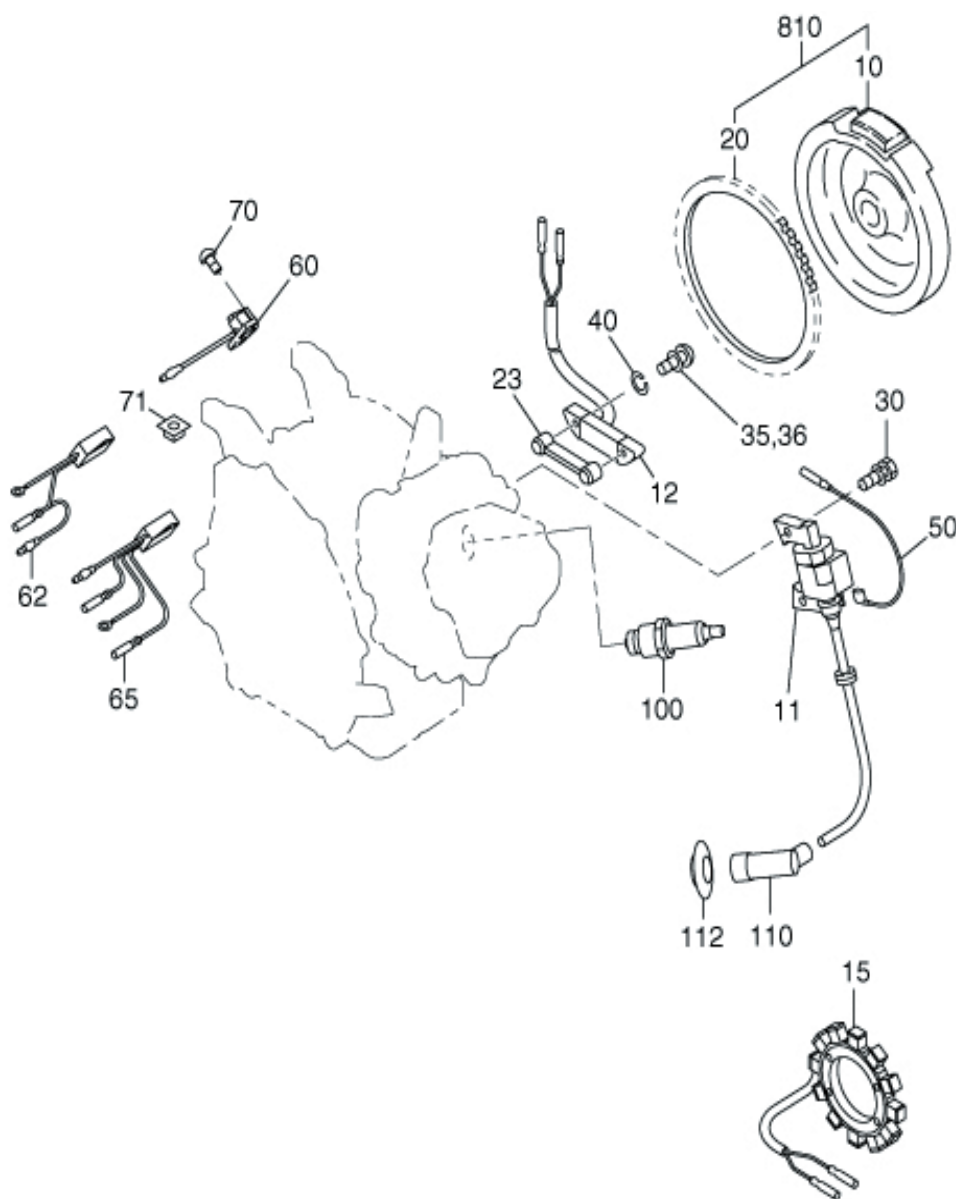


**FIG. 600** FUEL, LUBRICATION GROUP

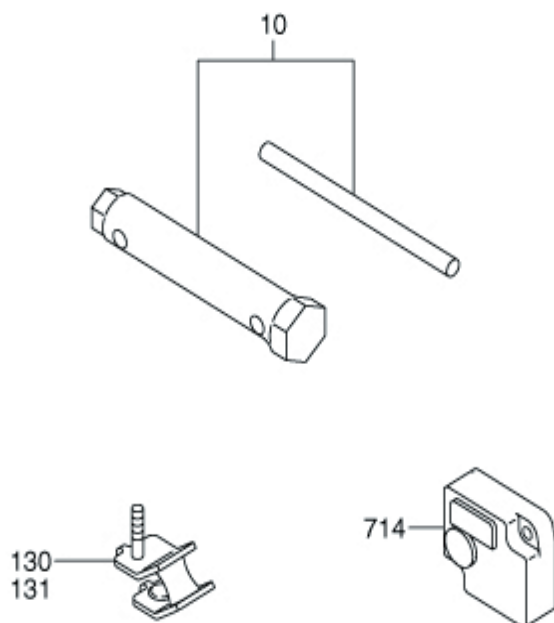
<b>REF.</b>	<b>PART NUMBER</b>	<b>PART NAME</b>	<b>QTY.</b>	<b>REMARKS</b>
10	20A6120221A	FUEL TANK CP	1	3.6L BLACK
20	X732005490	LABEL(WARNING)	1	
23	21DH070510	LABEL(7.0 EX21)	1	
30	20A0440100	FUEL TANK CAP CP	1	43DX68DX14H BLACK
40	20A0640100	FUEL FILTER	1	
48	20A0640200	UNION	1	
60	20A0185200	FLANGE NUT	2	M6X1.0X13DX6H
63	20A0111600	FLANGE BOLT	1	M6X1.0X14DX25L
81	20A0810100C	RUBBER PIPE	1	Ø6XØ12.7X420L
83	20A0810100E	RUBBER PIPE	1	Ø6XØ12.7X500L
86	20A0850100A	SPONGE PROTECTOR	1	400L
91	20A0580100	HOSE CLAMP	2	Ø11.7
93	20A0580100	HOSE CLAMP	2	Ø11.7
185	170FL.7.4	CLAMP	6	
188	20A0140900	TAPPING SCREW	1	M5□10L
224	20A4380101	CHOKER LEVER CP	1	
510	2676220110	FUEL PUMP CP	1	
515	RO052011-00	BRACKET	1	
540	20A0111100	FLANGE BOLT	2	M6x1.0x12L
522	22E1062310	RUBBER PIPE	1	Φ6xΦ11x680L
523	20A0580400	HOSE CLAMP	1	Φ9.4
524	22G0580200	HOSE CLAMP	1	Φ10















[www.wormsentreprises.com](http://www.wormsentreprises.com)



**Siège social / Head Office**

ZAC de Lamirault

39 rue de Lamirault, 77090 Collégien, FRANCE

TEL. +33 (0) 1 64 76 29 50

FAX +33 (0) 1 64 76 29 99

**Services commercial et Pièces de rechange**

*Sales and Spare Parts Departments*

TEL. +33 (0) 1 64 76 29 60

FAX +33 (0) 1 64 76 29 99