



WORMS
E N T R E P R I S E S

PARTS CATALOG

Model
EX21

Engine Model
EX210KH8022

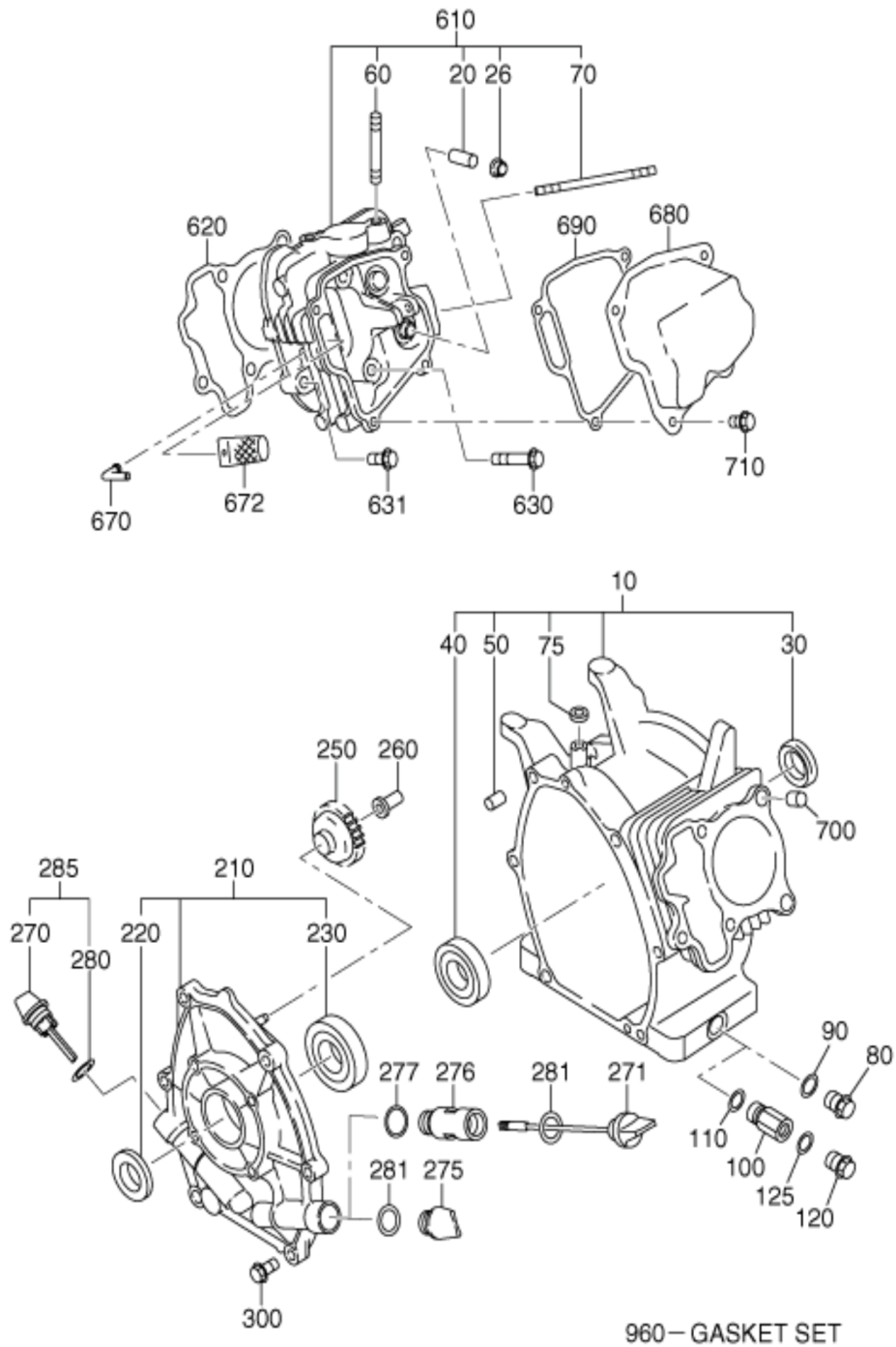
17-05-2021

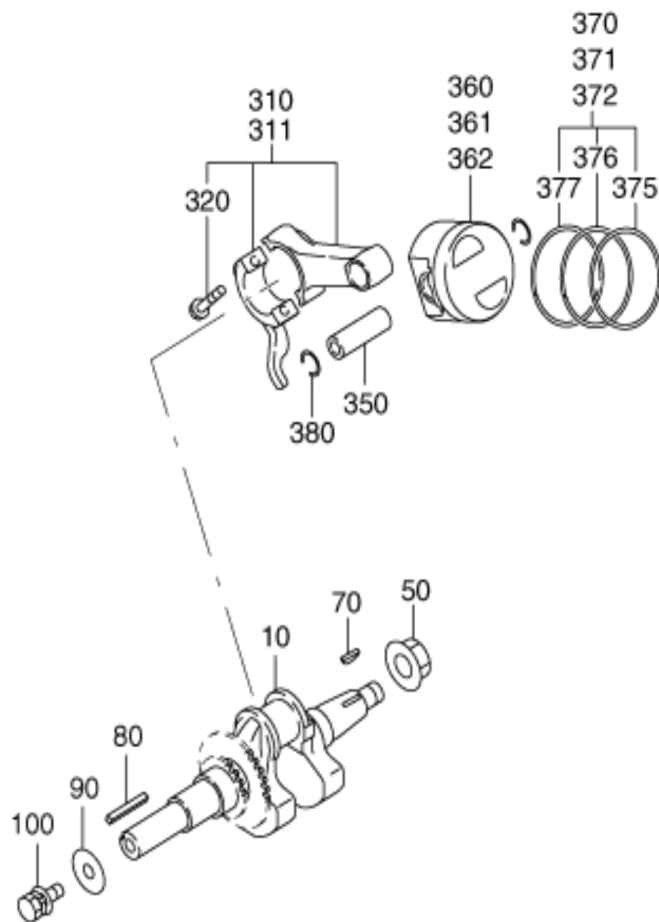


GROUP INDEX

Group Name	Page
CRANKCASE GROUP	4
CRANKSHAFT GROUP	6
INTAKE and EXHAUST GROUP	8
GOVERNOR GROUP	12
COOLING and STARTING GROUP	14
FUEL, LUBRICATION GROUP	18
CARBURETOR GROUP	20
ELECTRIC DEVICE GROUP	22
ACCESSORY GROUP	26

INDEX OF DESCRIPTION SYMBOLS			
SYMBOL	DESCRIPTION	SYMBOL	DESCRIPTION
AY	ASSEMBLY	P=	PITCH (in mm)
CP	COMPLETE	P.T.O. (PTO)	POWER TAKE OFF
EX	EXPORT (from Japan)	REF.	REFERENCE
FIG.	FIGURE	R.H. (RH)	RIGHT HAND SIDE
FR.	FRONT	RR.	REAR
"	INCH	STD.	STANDARD
INCL.	INCLUDE	SW	SWITCH
~L	LITER	T=	THICKNESS (in mm)
L=	LENGTH (in. mm)	UN	UNIT
L.H. (LH)	LEFT-HAND SIDE	U.S.	UNDER SIZE
MECH	MECHANICAL	~V	VOLTAGE
NO (NON)	NONE	~W	WATT
OPT.	OPTIONAL	W/	WITH
O.S.	OVER SIZE	W/O	WITHOUT





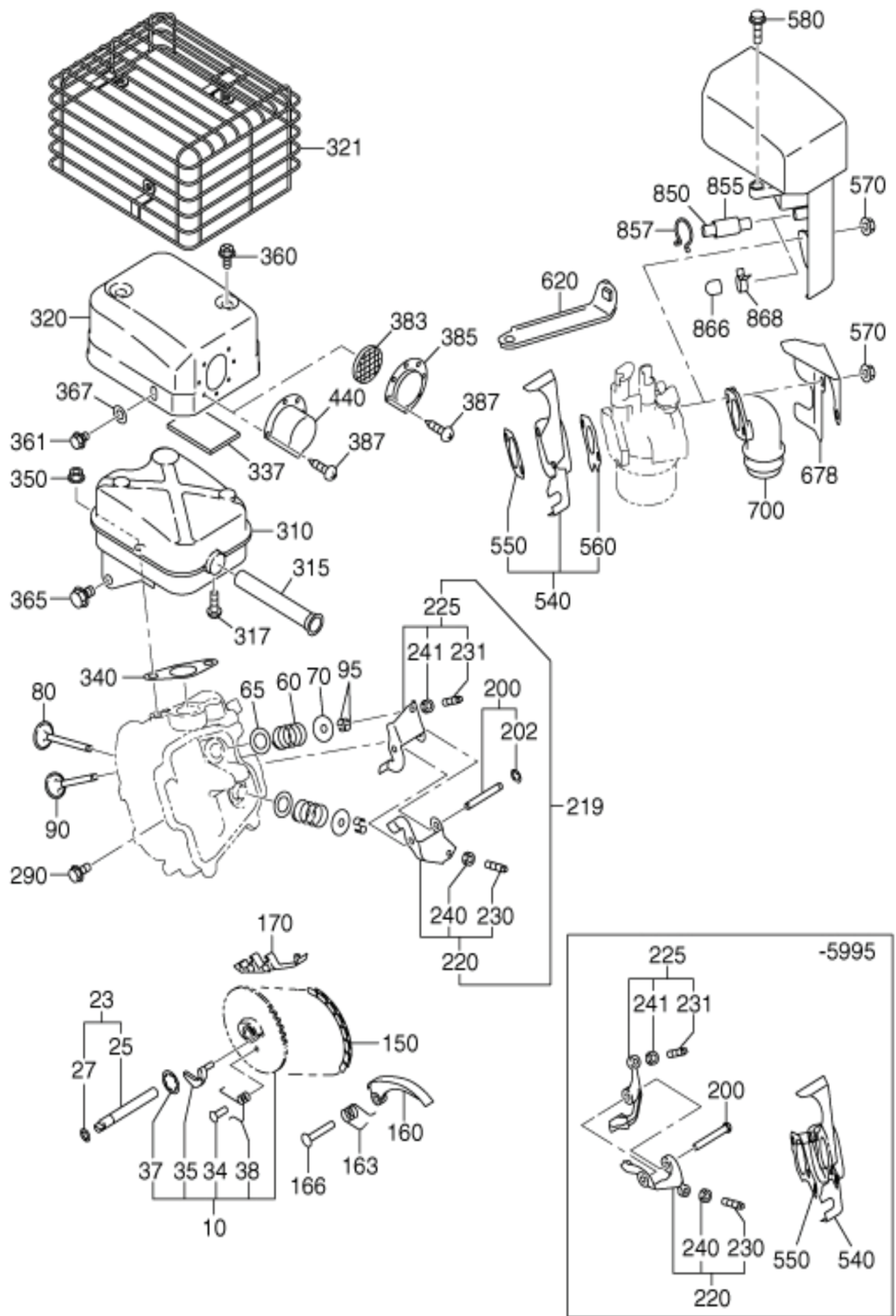
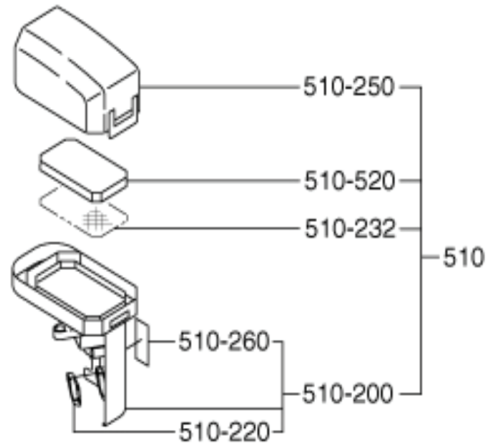


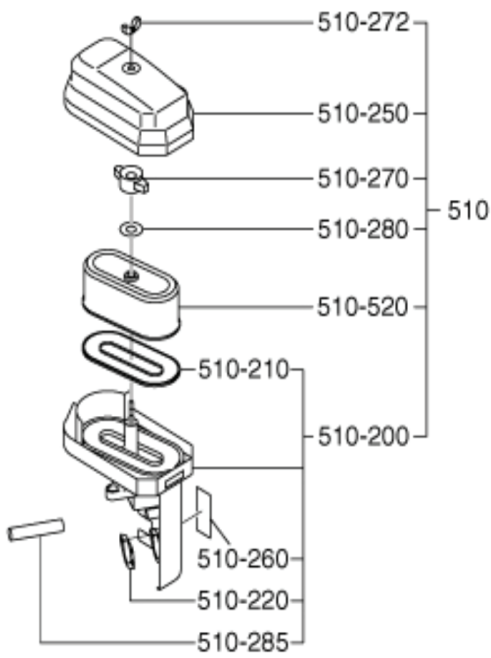
FIG. 300 INTAKE and EXHAUST GROUP

REF.	PART NUMBER	PART NAME	QTY.	REMARKS
10	21D.2.2	CAM SHAFT CP	1	85DX2.9B N=40
23	20A3510101	PIN(CAM SHAFT) CP	1	
27	20A0280100	O RING	1	5.8DX9.6D
60	20A3360103	VALVE SPRING	2	19.2DX2.3DX27.4L
65	21D.2.1-1	SPACER SPRING	2	16DX23DX1B
70	20A3370103	SPRING RETAINER	2	
80	22E3340103	INTAKE VALVE	1	28.5DX5.5DX67.75L
90	22E3350103	EXHAUST VALVE	1	26.5DX5.5DX67.75L
95	20A3380103	COLLET-VALVE	4	
150	21D3560101	TIMING CHAIN CP	1	92 LINK
160	20A3691103	TENTIONER	1	
163	20A3710103	SPRING(TENTIONER)	1	10DX1.8DX14L N=4.5
166	20A3690203	PIN(TENTIONER)	1	6DX13DX34L
170	20A3691303	CHAIN GUIDE	1	
200	20A3500401	PIN(ROCKER) CP	1	
202	20A0321100	CLIP	1	5DX11DX0.6T
219	2773600107	ROCKER ARM AY SET	1	
230	20A0140100	ADJUST SCREW	1	M5X0.5X23L
231	20A0140100	ADJUST SCREW	1	M5X0.5X23L
240	20A0180100	NUT	1	M5X0.5X4.1H
241	20A0180100	NUT	1	M5X0.5X4.1H
290	20A0111100	FLANGE BOLT	1	M6X1.0X14DX12L
340	20A3520103	GASKET(MUFFLER)	1	T=0.2 26D 9DX58P
350	20A0185120	FLANGE NUT	2	M8X1.25X17DX7.5H
540	22E32905H0	INSULATOR CP	1	
550	22E3590303	GASKET 2(INSULATOR)	1	T=0.5
560	22E3590203	GASKET 1(INSULATOR)	1	T=0.5
570	20A0185200	FLANGE NUT	2	M6X1.0X13DX6H
580	20A0111300	FLANGE BOLT	1	M6X1.0X13DX20L
850	22E0810200	BREATHER PIPE	1	8DX11DX115L

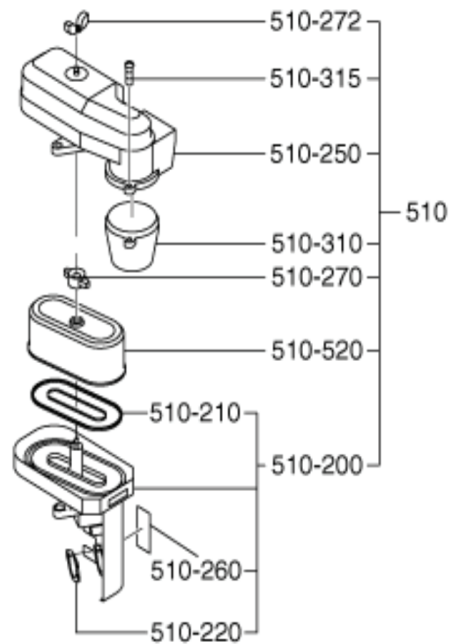
URETHANE FOAM

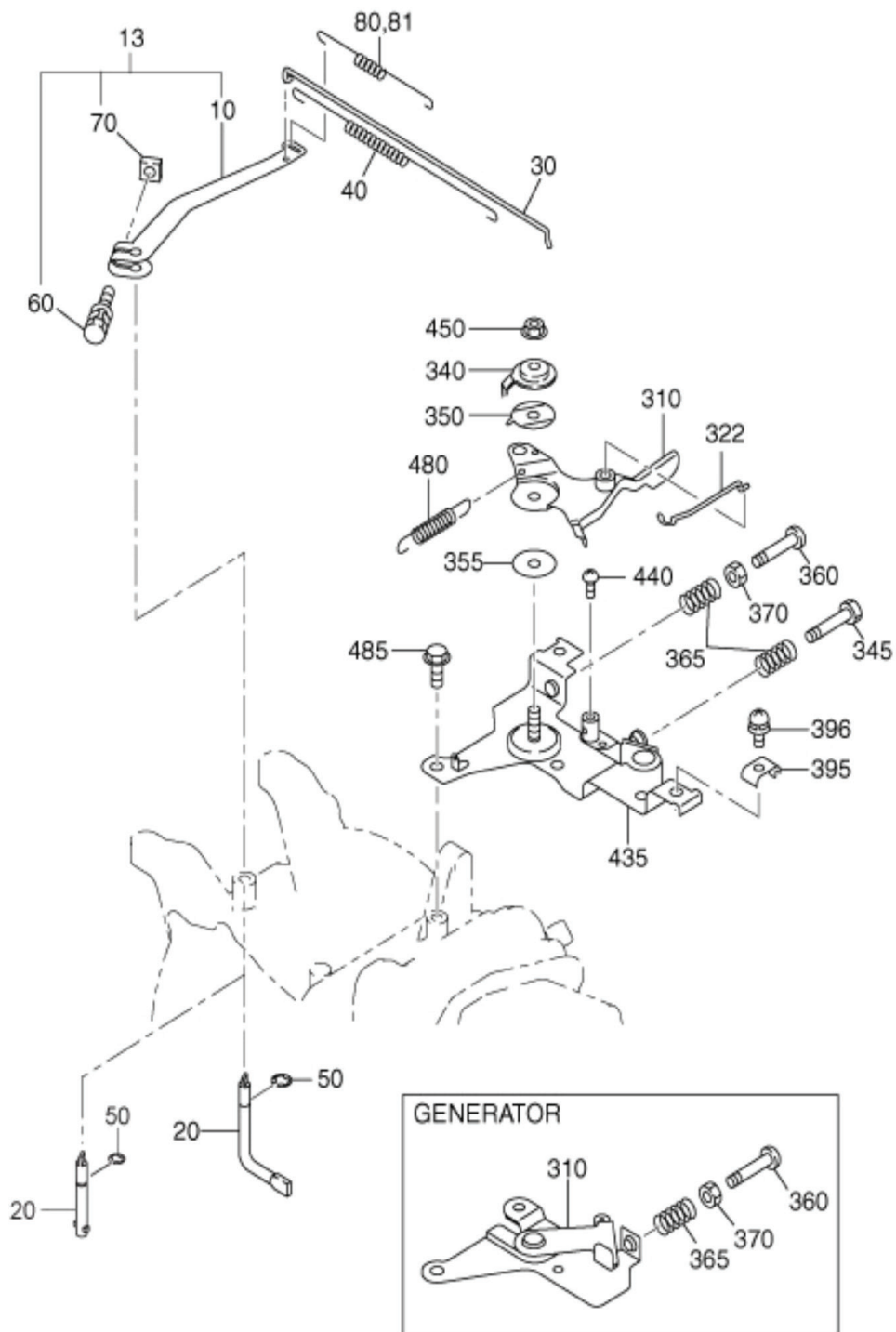


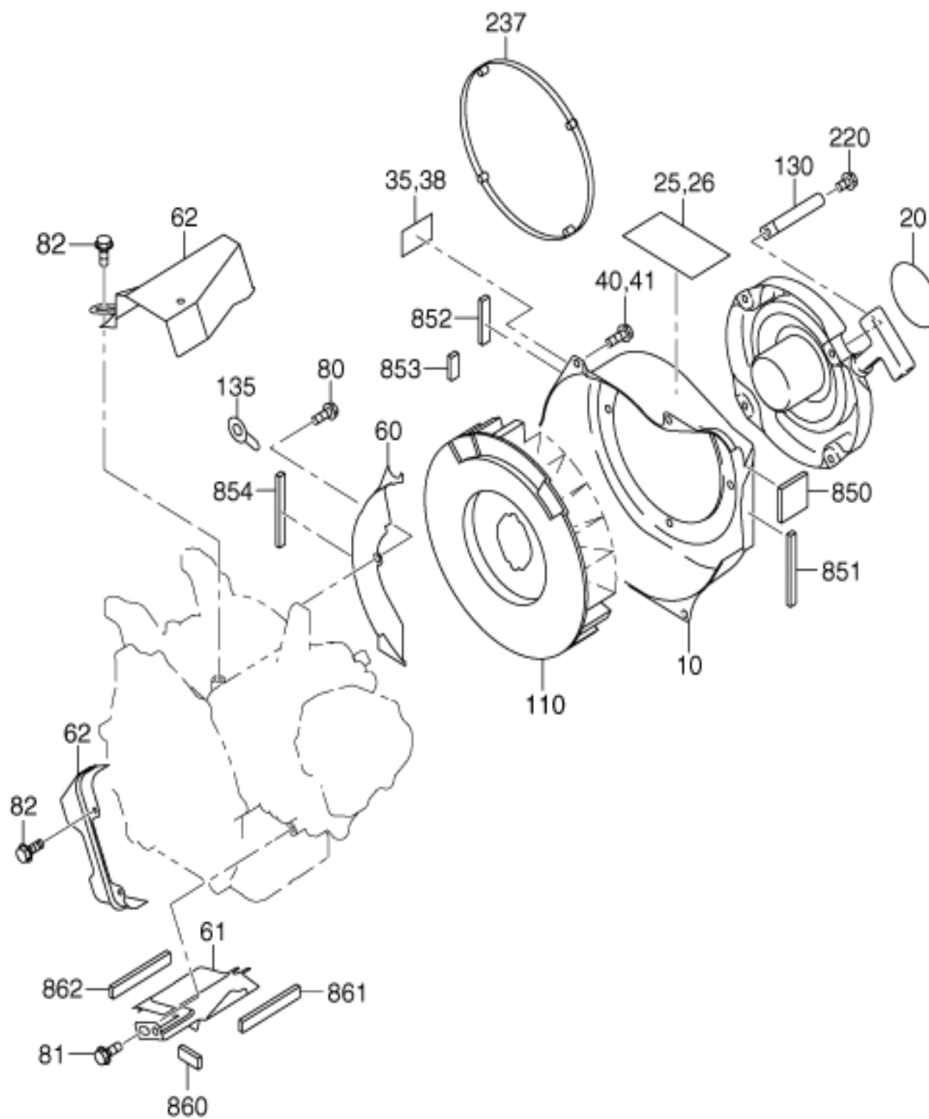
DUAL ELEMENT

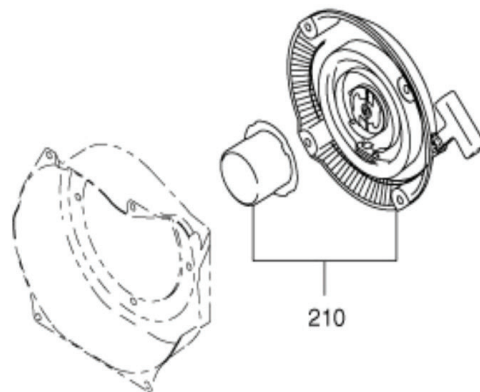


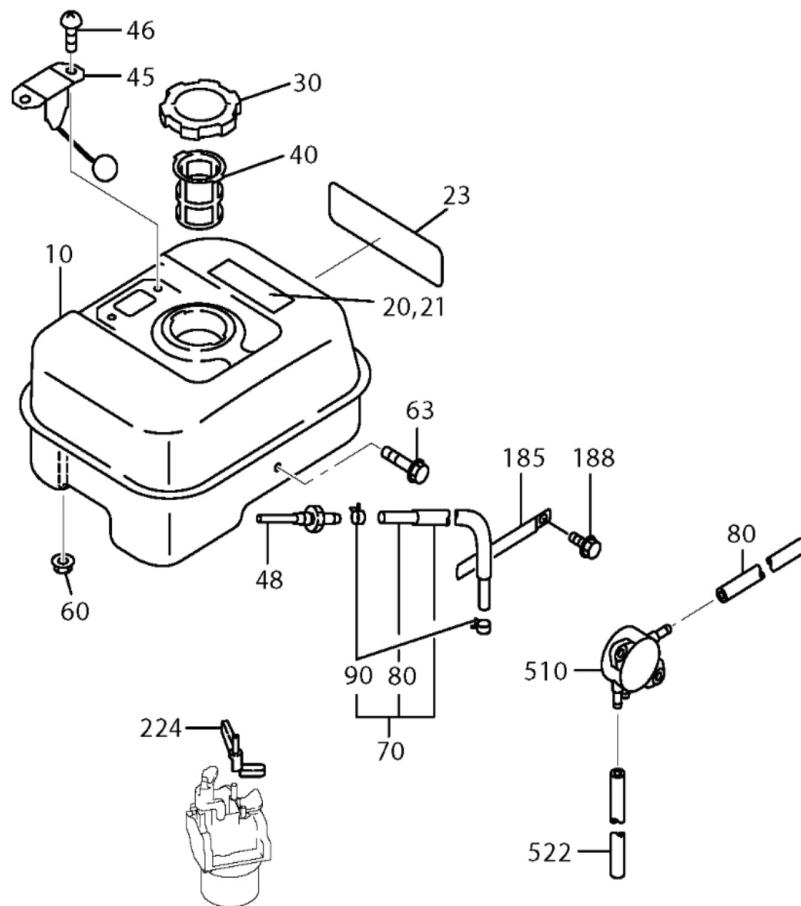
PRE CLEANER

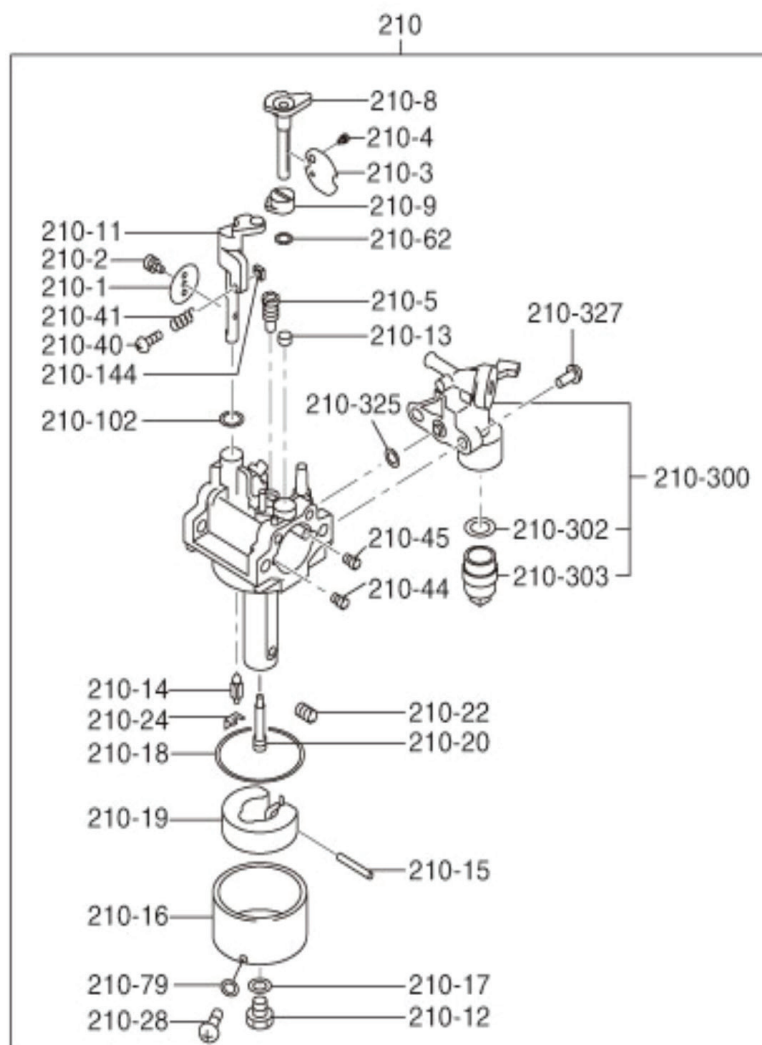


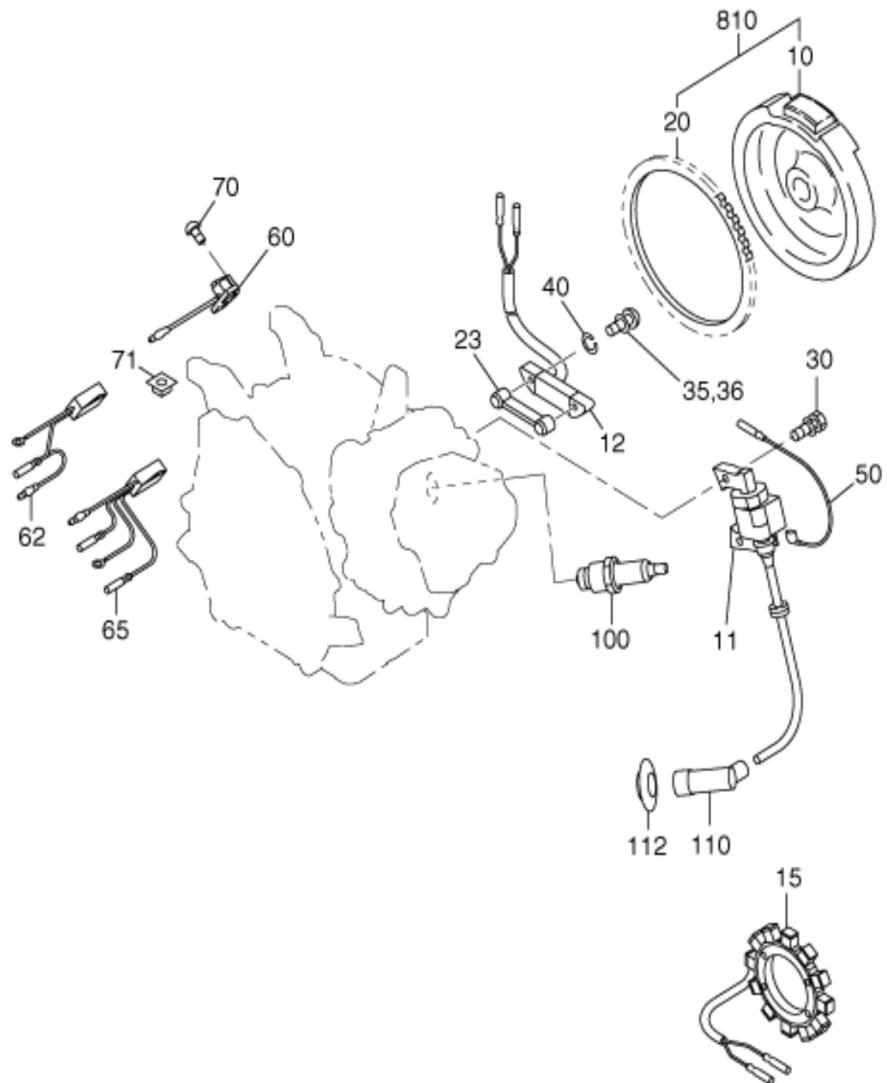


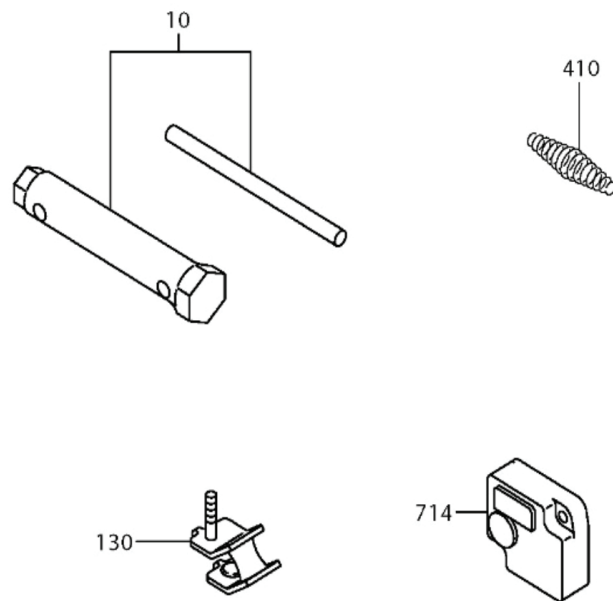












www.wormsentreprises.com



Siège social / Head Office

ZAC de Lamirault

39 rue de Lamirault, 77090 Collégien, FRANCE

TEL. +33 (0) 1 64 76 29 50

FAX +33 (0) 1 64 76 29 99

Services commercial et Pièces de rechange

Sales and Spare Parts Departments

TEL. +33 (0) 1 64 76 29 60

FAX +33 (0) 1 64 76 29 99