



PARTS CATALOG

Model
EX27

Engine Model
EX270DH5047

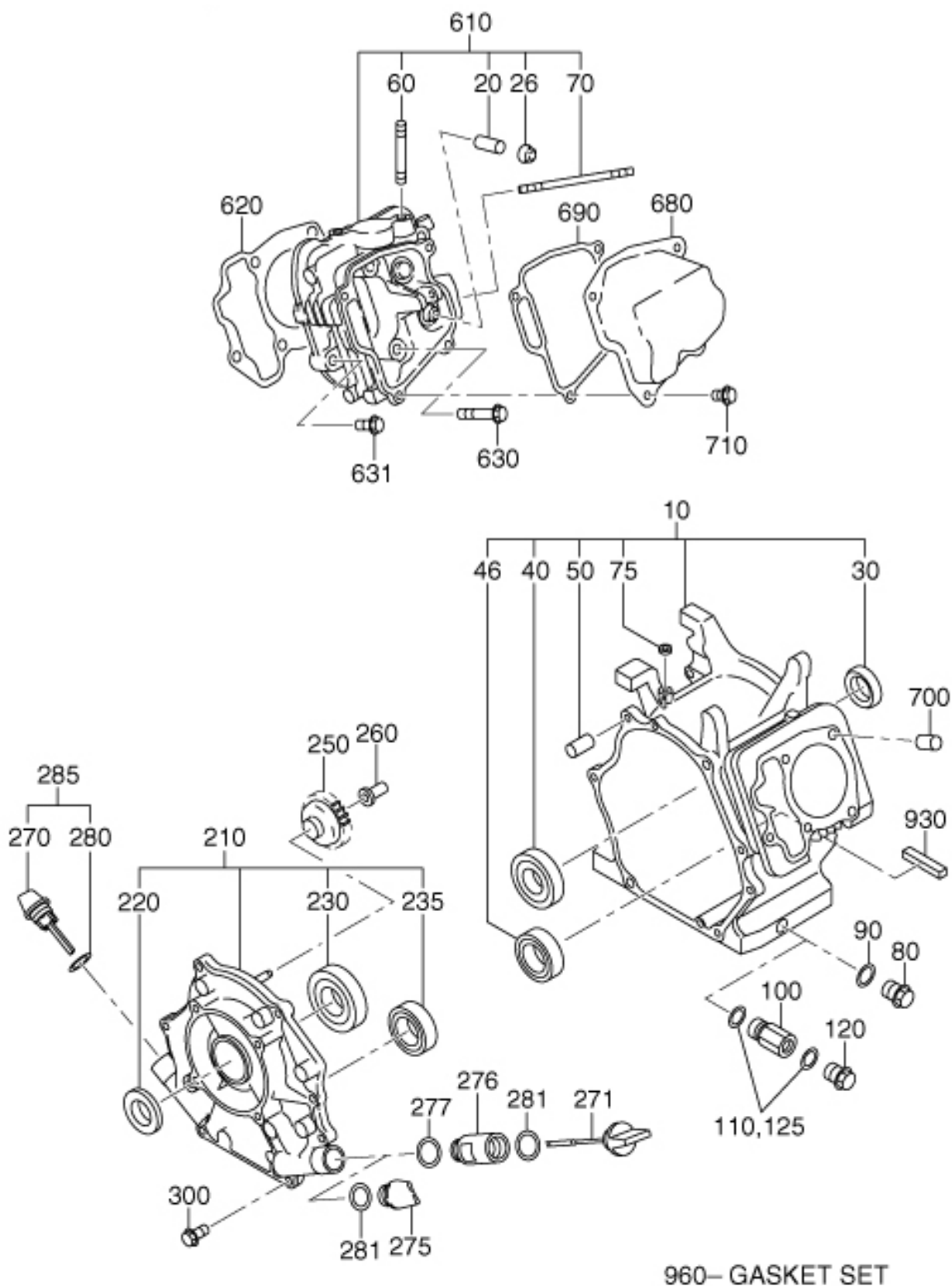
24-01-2023

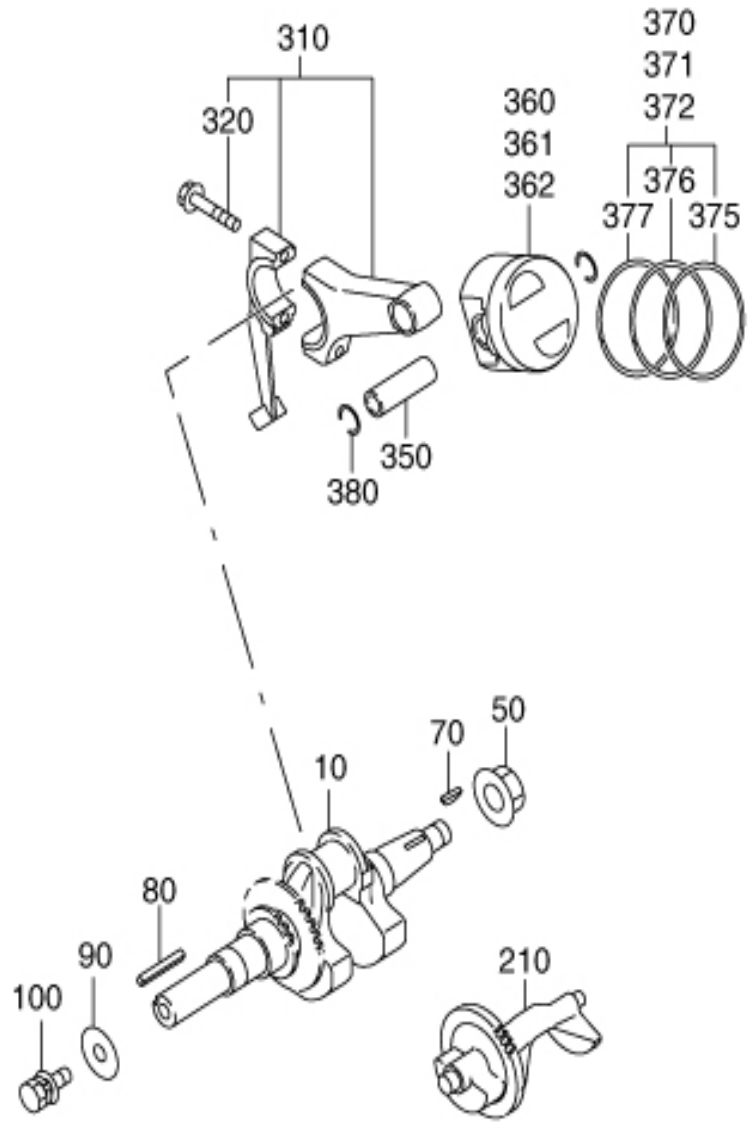


GROUP INDEX

Group Name	Page
CRANKCASE GROUP.....	4
CRANKSHAFT GROUP	6
INTAKE and EXHAUST GROUP	8
GOVERNOR GROUP	12
COOLING and STARTING GROUP.....	14
FUEL, LUBRICATION GROUP.....	16
CARBURETOR GROUP	18
ELECTRIC DEVICE GROUP	20
ACCESSORY GROUP	24

INDEX OF DESCRIPTION SYMBOLS			
SYMBOL	DESCRIPTION	SYMBOL	DESCRIPTION
AY	ASSEMBLY	P=	PITCH (in mm)
CP	COMPLETE	P.T.O. (PTO)	POWER TAKE OFF
EX	EXPORT (from Japan)	REF.	REFERENCE
FIG.	FIGURE	R.H. (RH)	RIGHT HAND SIDE
FR.	FRONT	RR.	REAR
"	INCH	STD.	STANDARD
INCL.	INCLUDE	SW	SWITCH
~L	LITER	T=	THICKNESS (in mm)
L=	LENGTH (in. mm)	UN	UNIT
L.H. (LH)	LEFT-HAND SIDE	U.S.	UNDER SIZE
MECH	MECHANICAL	~V	VOLTAGE
NO (NON)	NONE	~W	WATT
OPT	OPTIONAL	W/	WITH
O.S.	OVER SIZE	W/O	WITHOUT





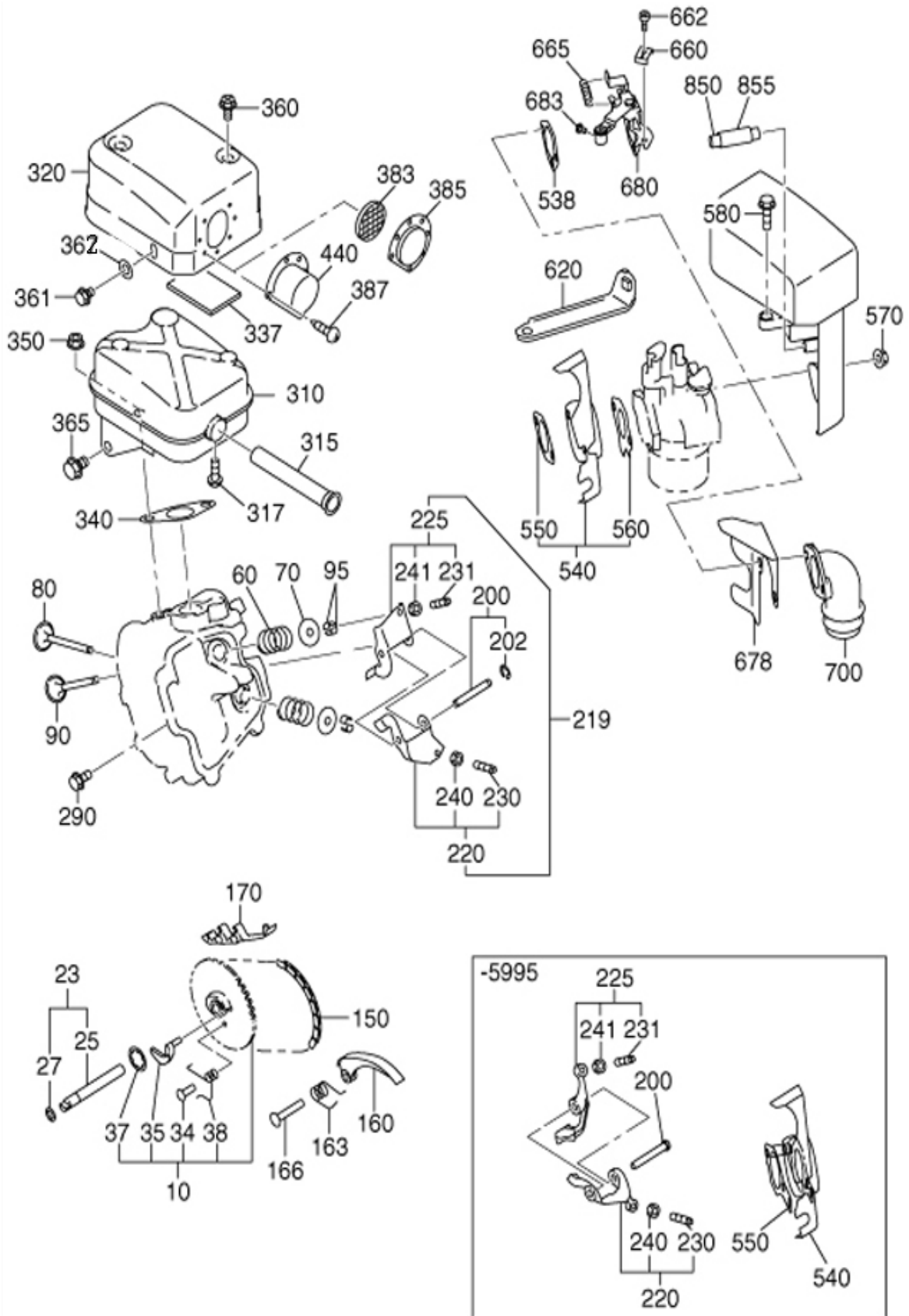
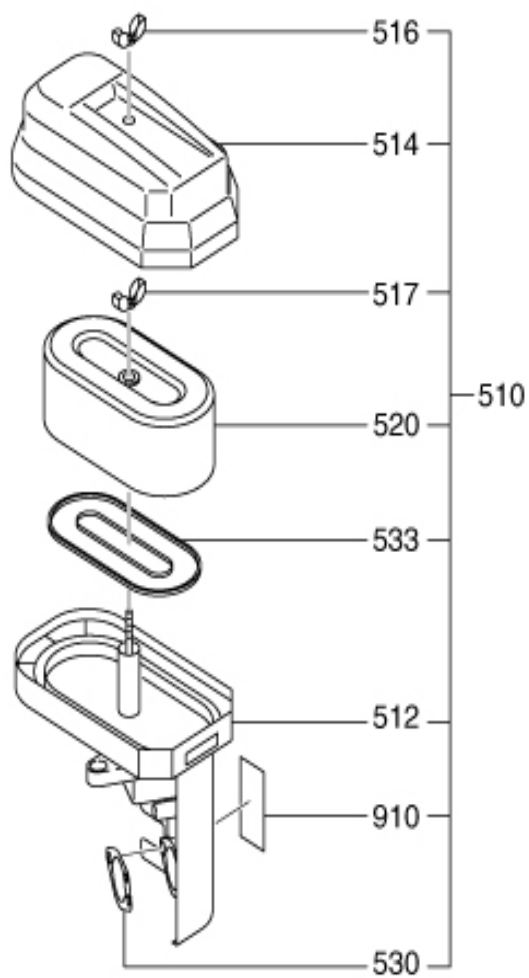
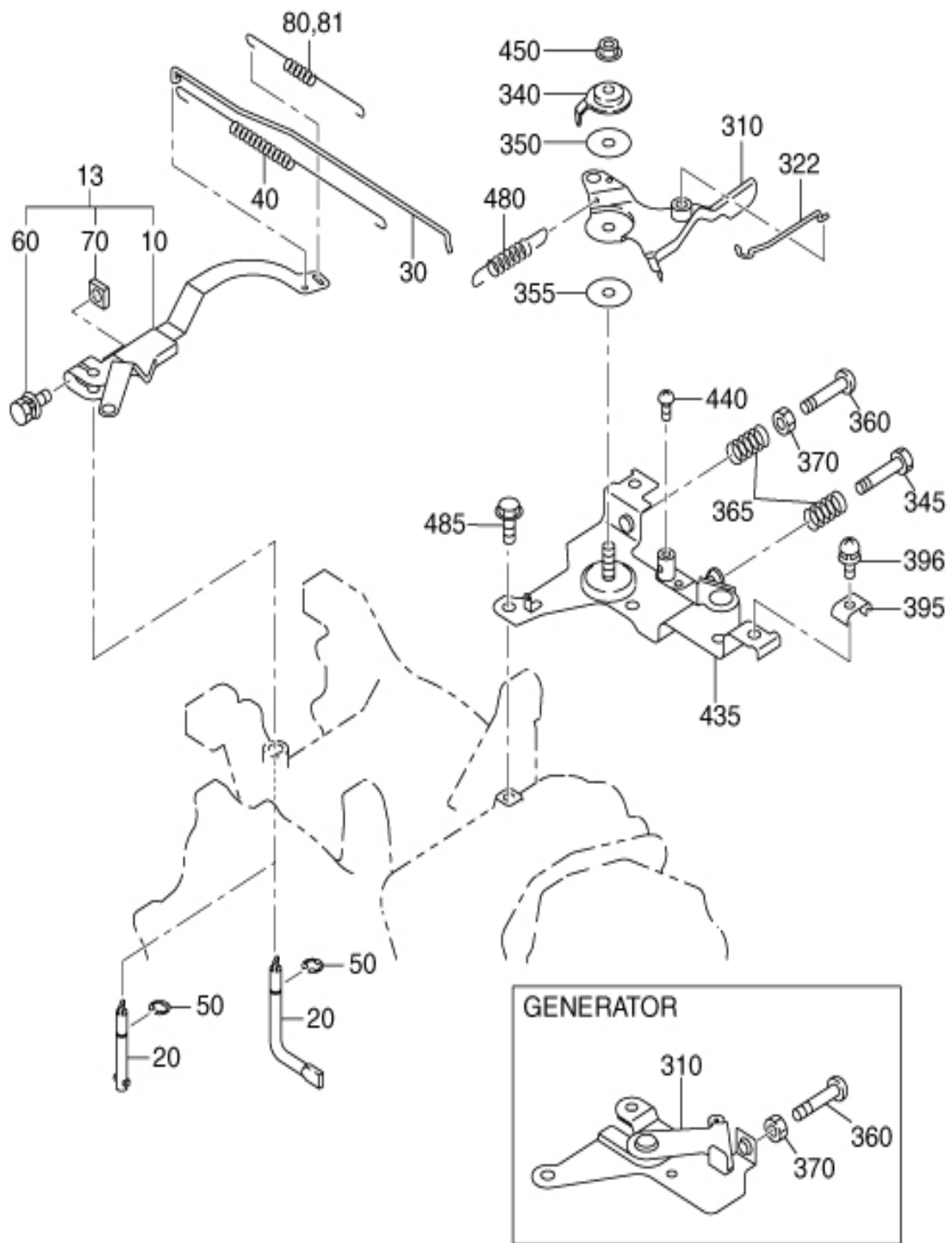


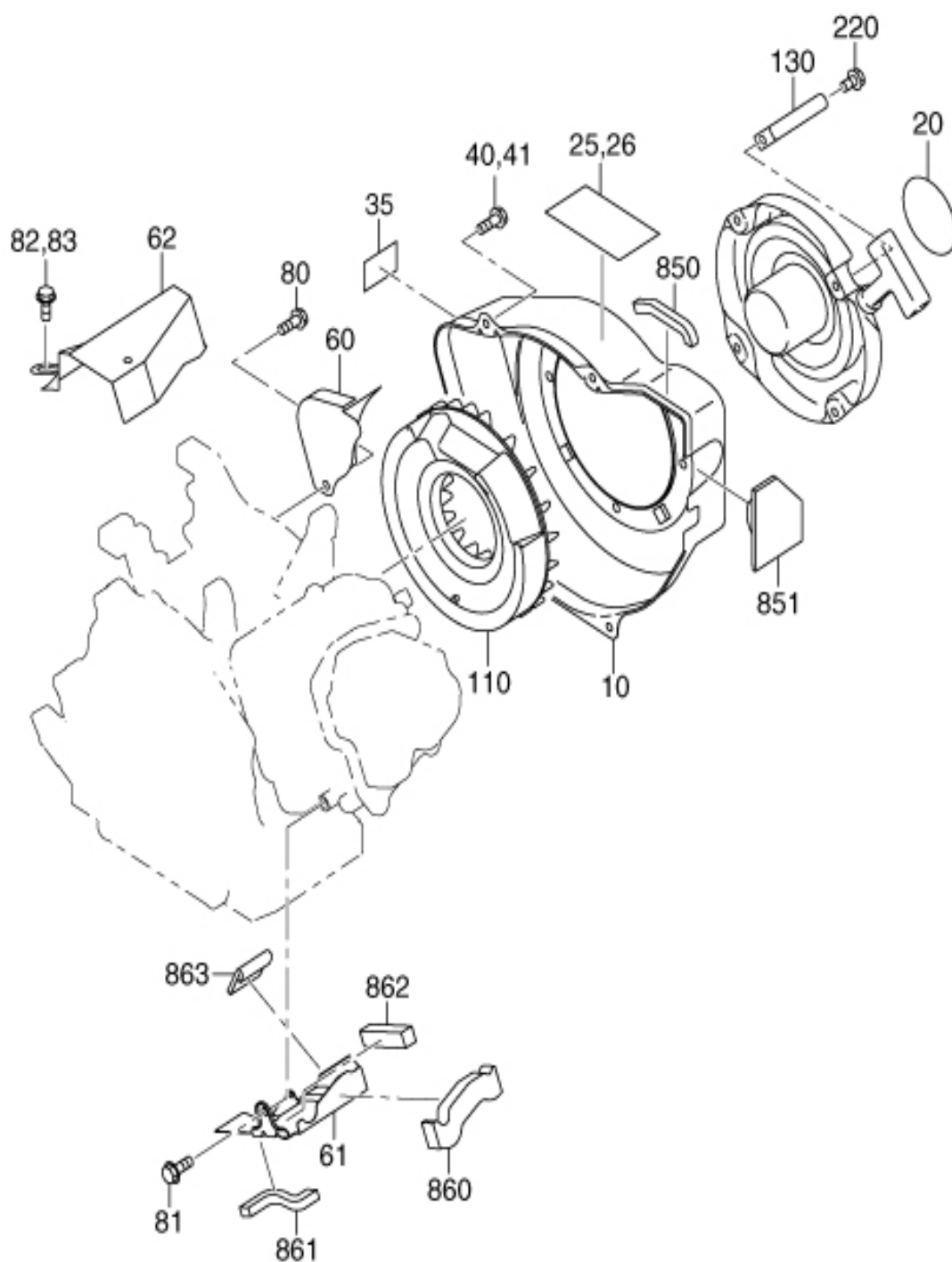
FIG. 300

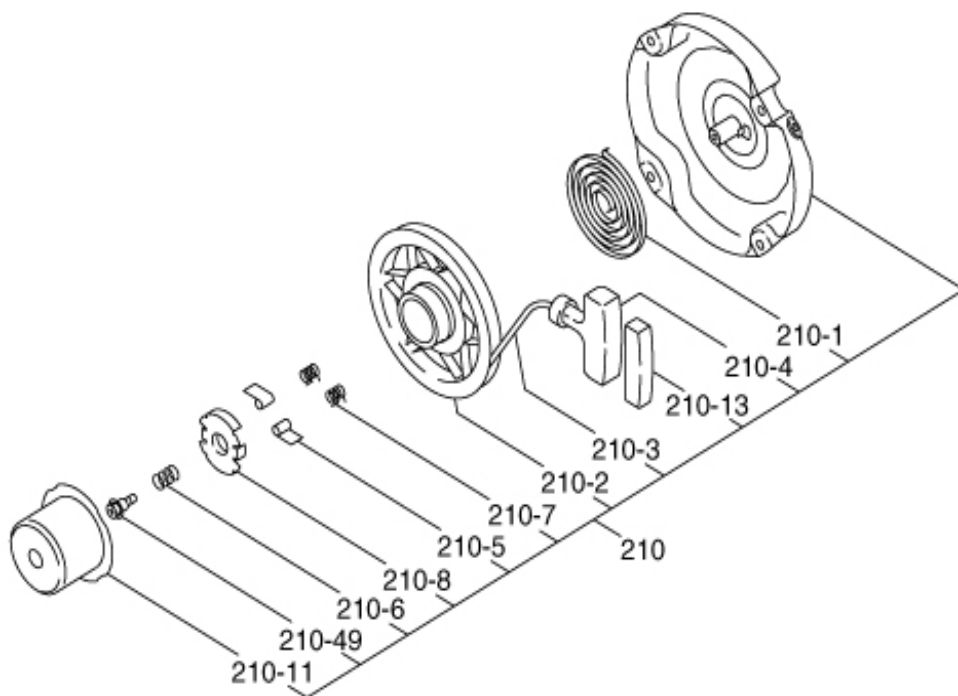
INTAKE and EXHAUST GROUP

REF.	PART NUMBER	PART NAME	QTY.	REMARKS
10	22E3160101	CAMSHAFT CP	1	
23	20A3510101	PIN(CAM SHAFT)CP	1	
25	20A3510103	PIN(CAM SHAFT)	1	
27	20A0280100	O RING	1	
60	20A3360103	VALVE SPRING	2	
70	20A3370103	SPRING RETAINER	2	
80	22E3340103	INTAKE VALVE	1	
90	22E3350103	EXHAUST VALVE	1	
95	20A3380103	COLLET-VALVE	4	
150	22E3560201	TIMING CHAIN CP	1	
160	20A3691103	TENTIONER	1	
163	20A3710103	SPRING(TENTIONER)	1	
166	20A3690203	PIN(TENTIONER)	1	
170	20A3691303	CHAIN GUIDE	1	
200	20A3500401	PIN(ROCKER) CP	1	
202	20A0321100	CLIP	1	
220	20A3620100	ROCKER ARM(IN) AY	1	
225	20A3620200	ROCKER ARM(EX) AY	1	
290	20A0111100	FLANGE BOLT	1	
310	22E3010101	MUFFLER CP	1	
320	22E3420101	MUFFLER COVER CP	1	
340	20A3520103	GASKET(MUFFLER)	1	
350	20A0185120	FLANGE NUT	2	
360	20A0120100	TAPPING BOLT	2	
361	20A0111200	FLANGE BOLT	1	
362	20A0210100	WASHER	1	
365	20A0110400	FLANGE BOLT	1	
385	20A3720301	SCREEN CP	1	
387	20A0140200	TAPPING SCREW	2	
540	22E3290201	INSULATOR CP	1	
550	22E3590303	GASKET2(INSULATOR)	1	
560	22E3590203	GASKET1(INSULATOR)	1	
570	20A0185200	FLANGE NUT	2	
580	20A0111300	FLANGE BOLT	1	
850	22E0810200	RUBBER PIPE	1	

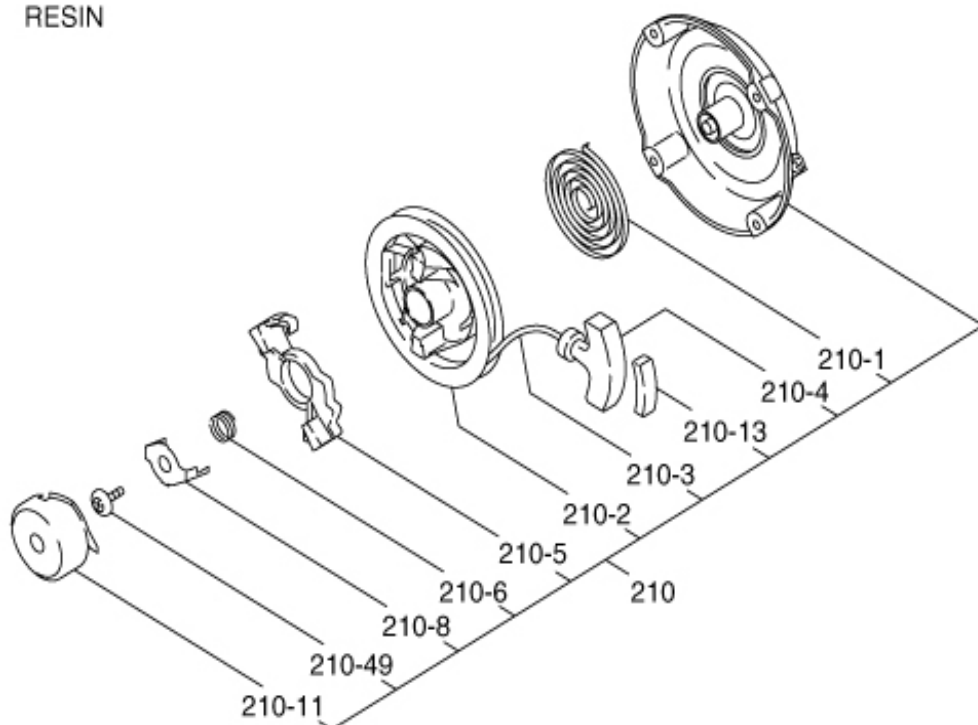


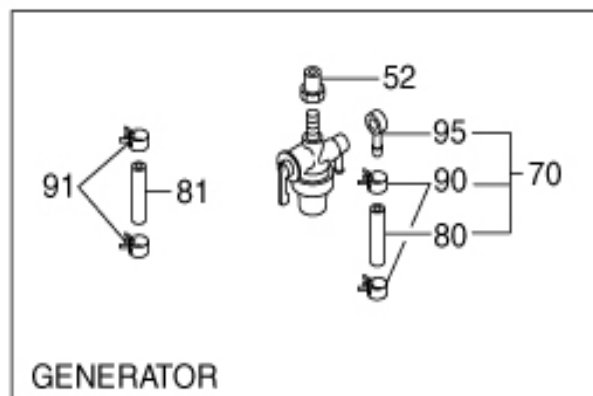
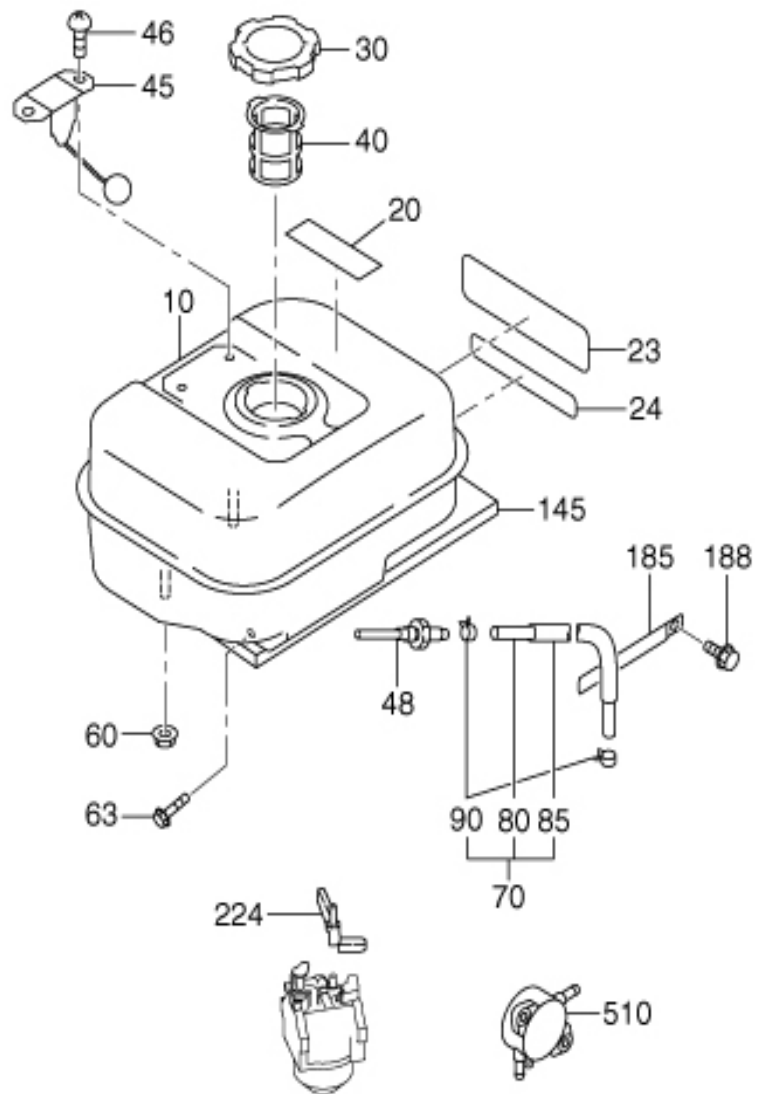


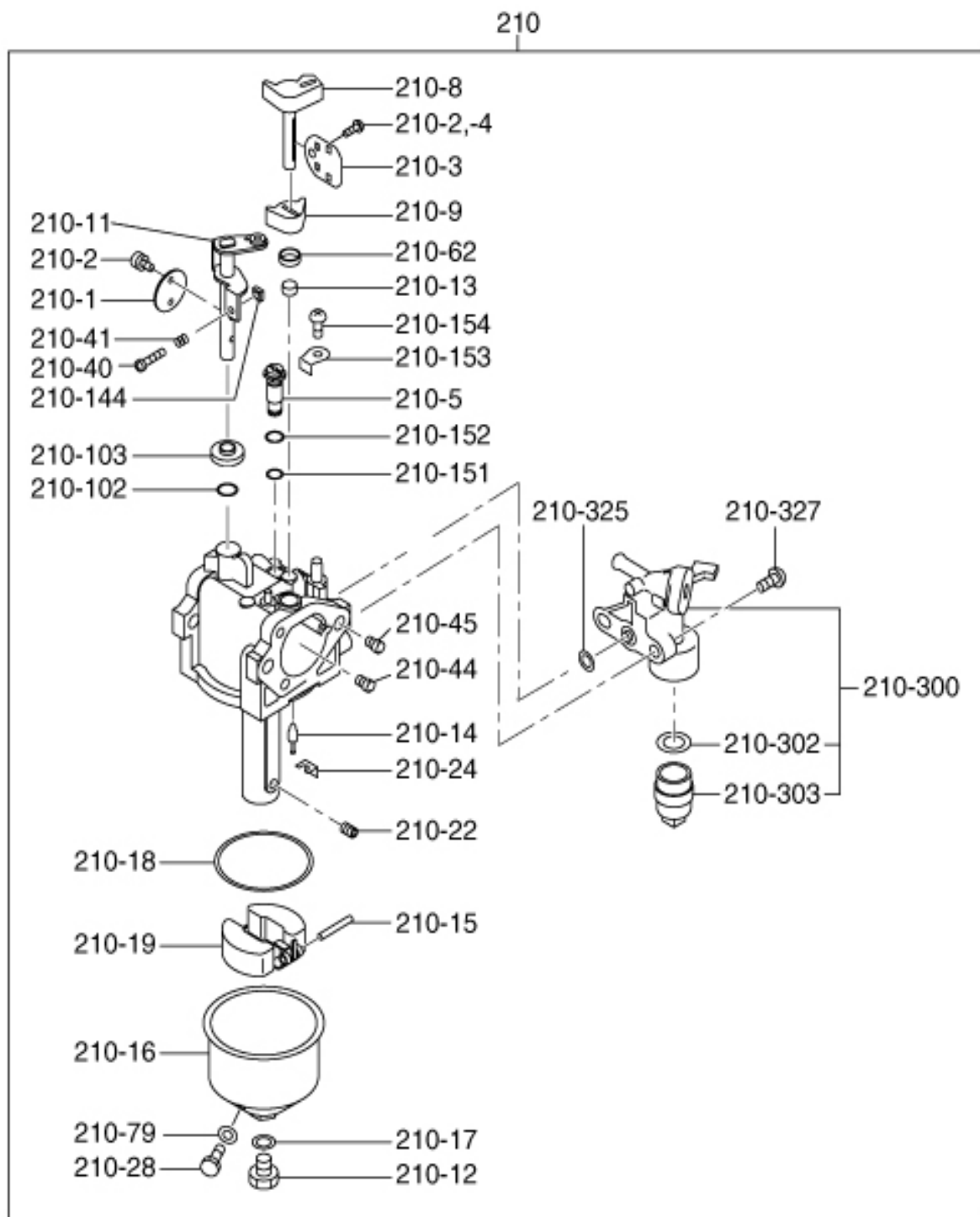


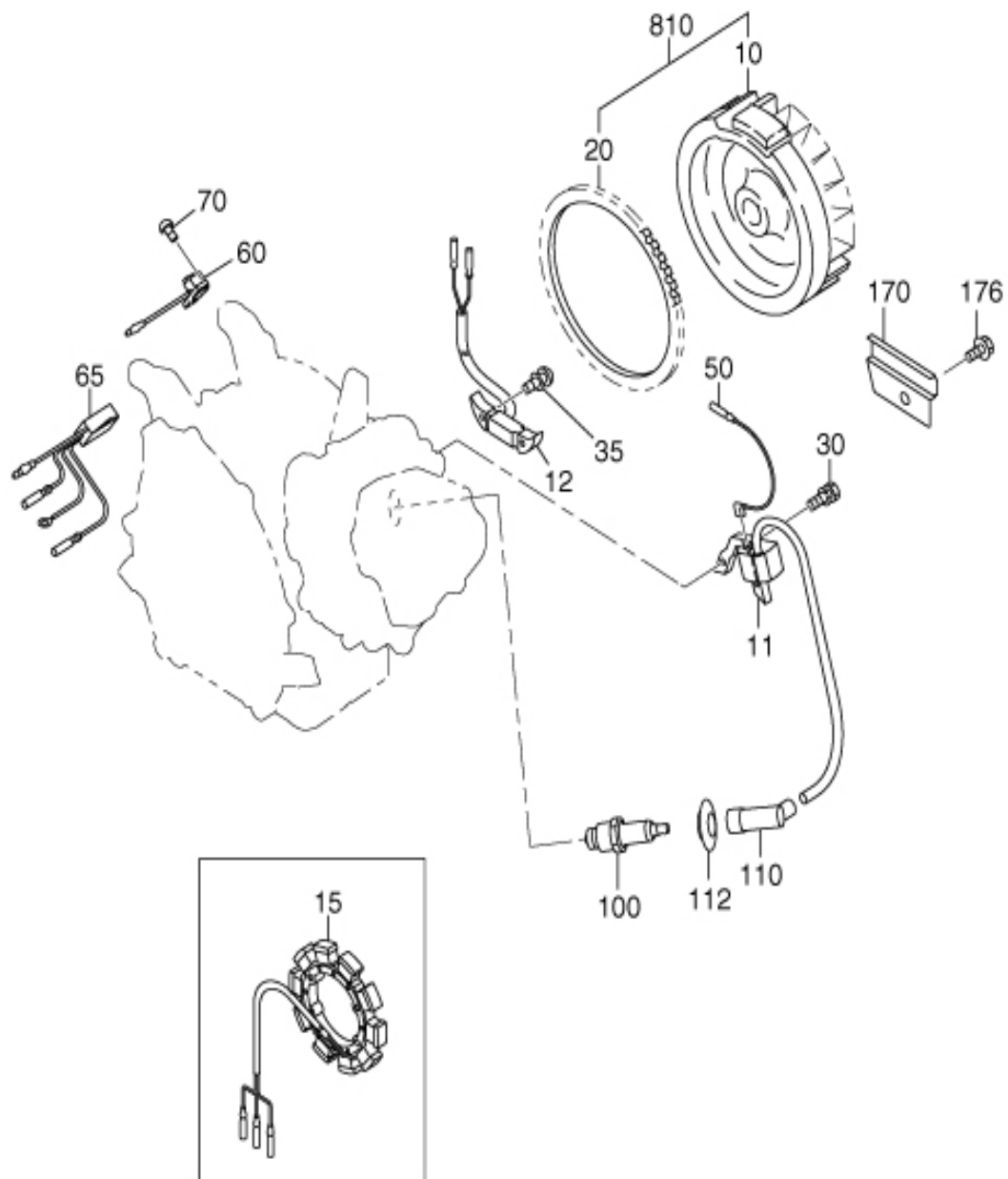


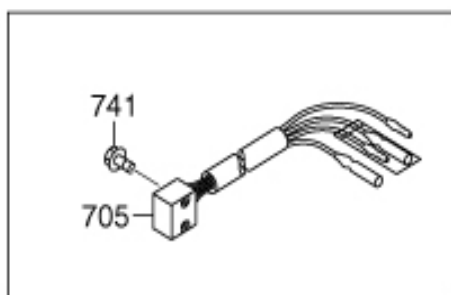
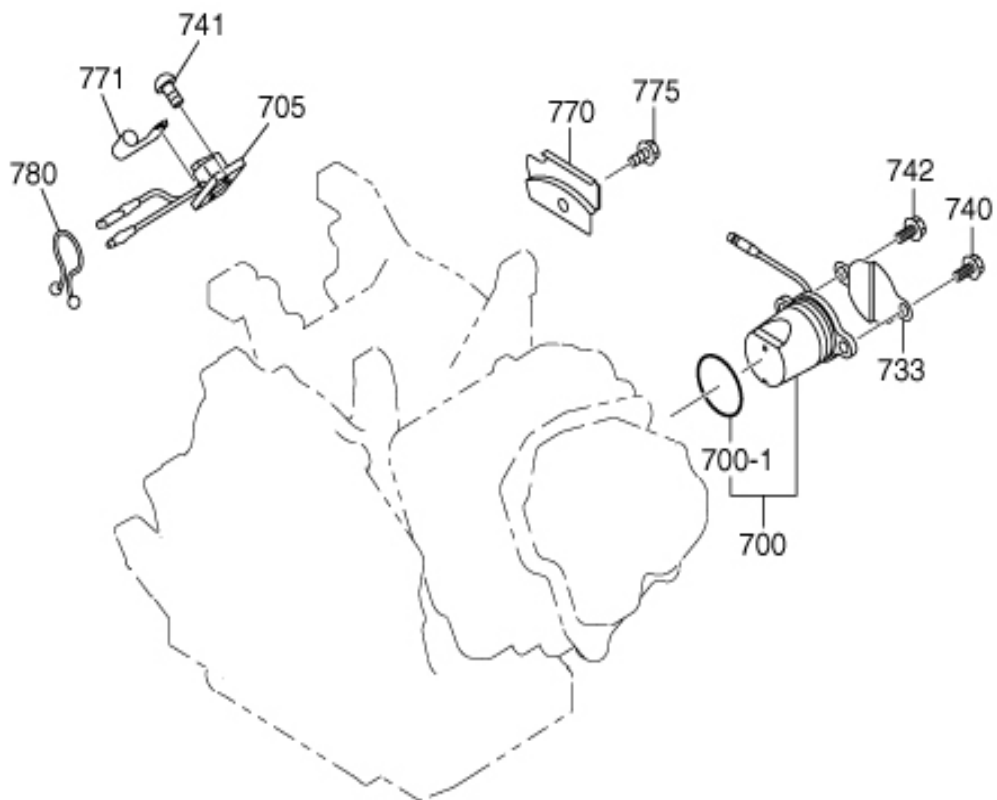
RESIN

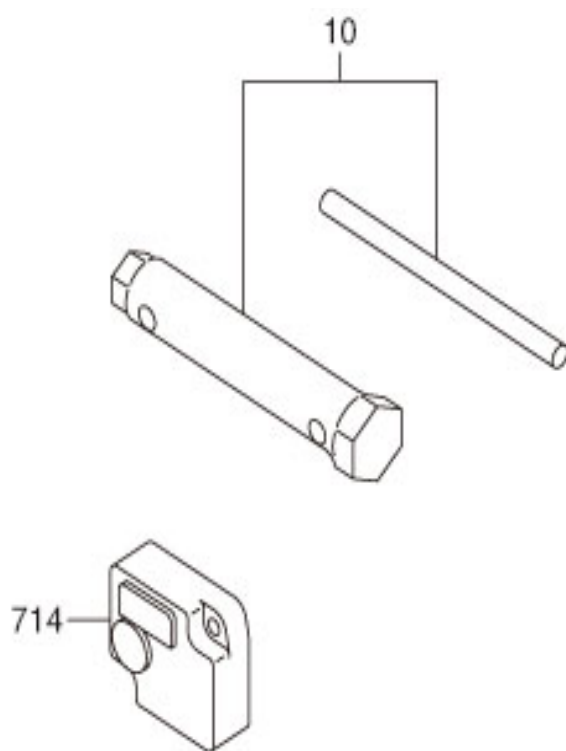












www.wormsentreprises.com



Siège social / Head Office

ZAC de Lamirault
39 rue de Lamirault, 77090 Collégien, FRANCE
TEL. +33 (0) 1 64 76 29 50
FAX +33 (0) 1 64 76 29 99

Services commercial et Pièces de rechange

Sales and Spare Parts Departments
TEL. +33 (0) 1 64 76 29 60
FAX +33 (0) 1 64 76 29 99