



PARTS CATALOG

Model
EX27

Engine Model
EX270DK1220

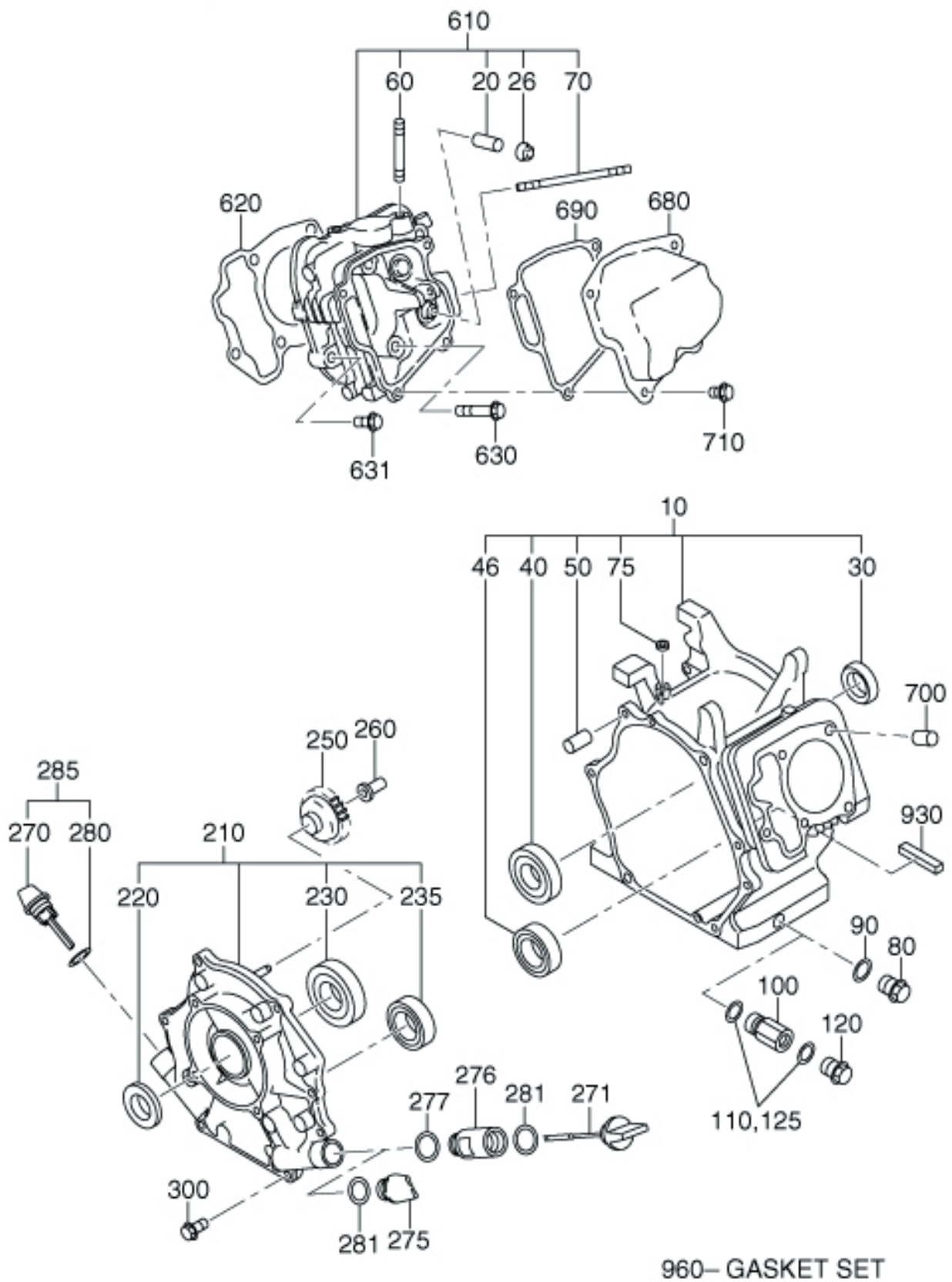
10-09-2021

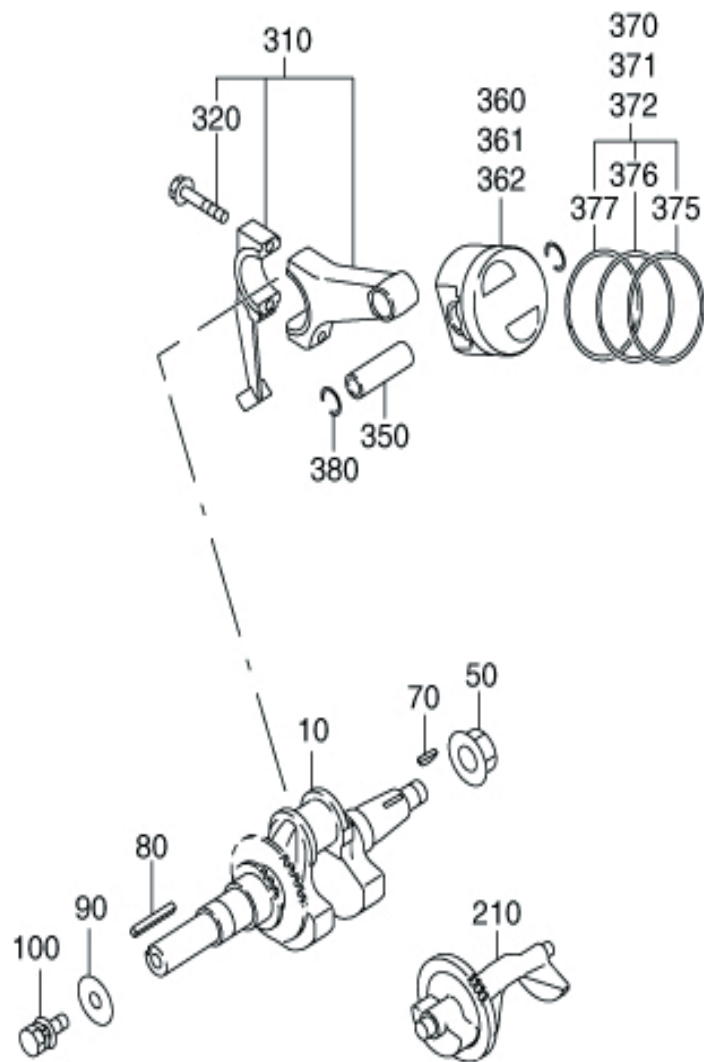


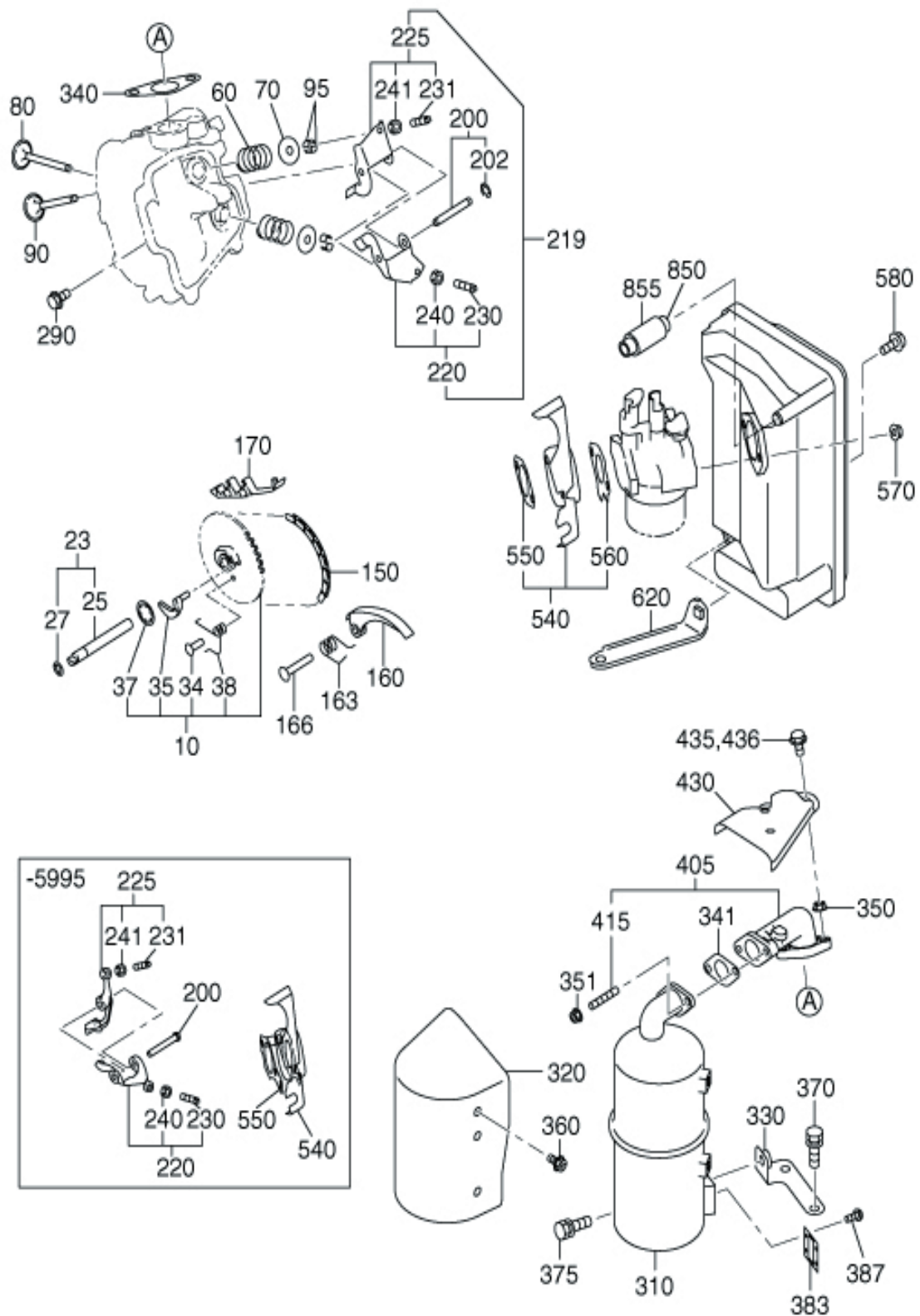
GROUP INDEX


Group Name	Page
CRANKCASE GROUP	4
CRANKSHAFT GROUP	6
INTAKE and EXHAUST GROUP.....	8
GOVERNOR GROUP	12
COOLING and STARTING GROUP	14
FUEL, LUBRICATION GROUP	18
ELECTRIC DEVICE GROUP	20
ACCESSORY GROUP	24

INDEX OF DESCRIPTION SYMBOLS			
SYMBOL	DESCRIPTION	SYMBOL	DESCRIPTION
AY	ASSEMBLY	P=	PITCH (in mm)
CP	COMPLETE	P.T.O. (PTO)	POWER TAKE OFF
EX	EXPORT (from Japan)	REF.	REFERENCE
FIG.	FIGURE	R.H. (RH)	RIGHT HAND SIDE
FR.	FRONT	RR.	REAR
"	INCH	STD.	STANDARD
INCL.	INCLUDE	SW	SWITCH
~L	LITER	T=	THICKNESS (in mm)
L=	LENGTH (in. mm)	UN	UNIT
L.H. (LH)	LEFT-HAND SIDE	U.S.	UNDER SIZE
MECH	MECHANICAL	~V	VOLTAGE
NO (NON)	NONE	~W	WATT
OPT.	OPTIONAL	W/	WITH
O.S.	OVER SIZE	W/O	WITHOUT

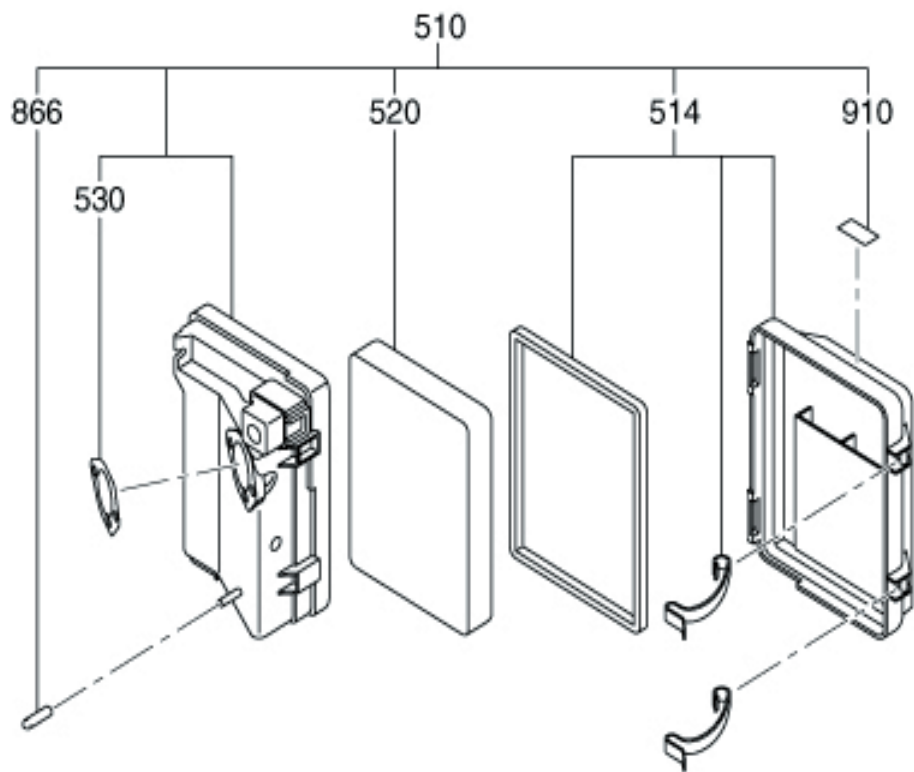


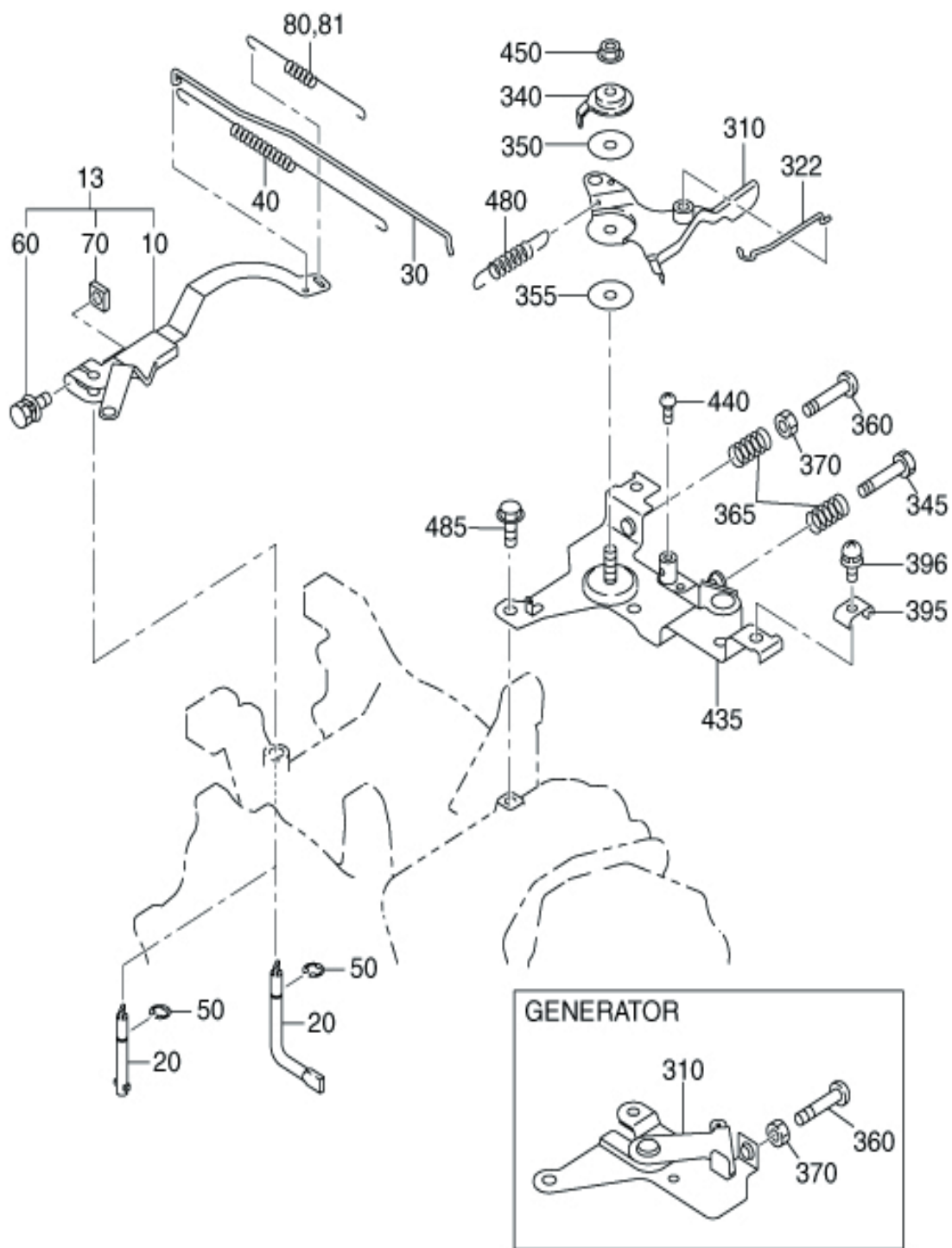


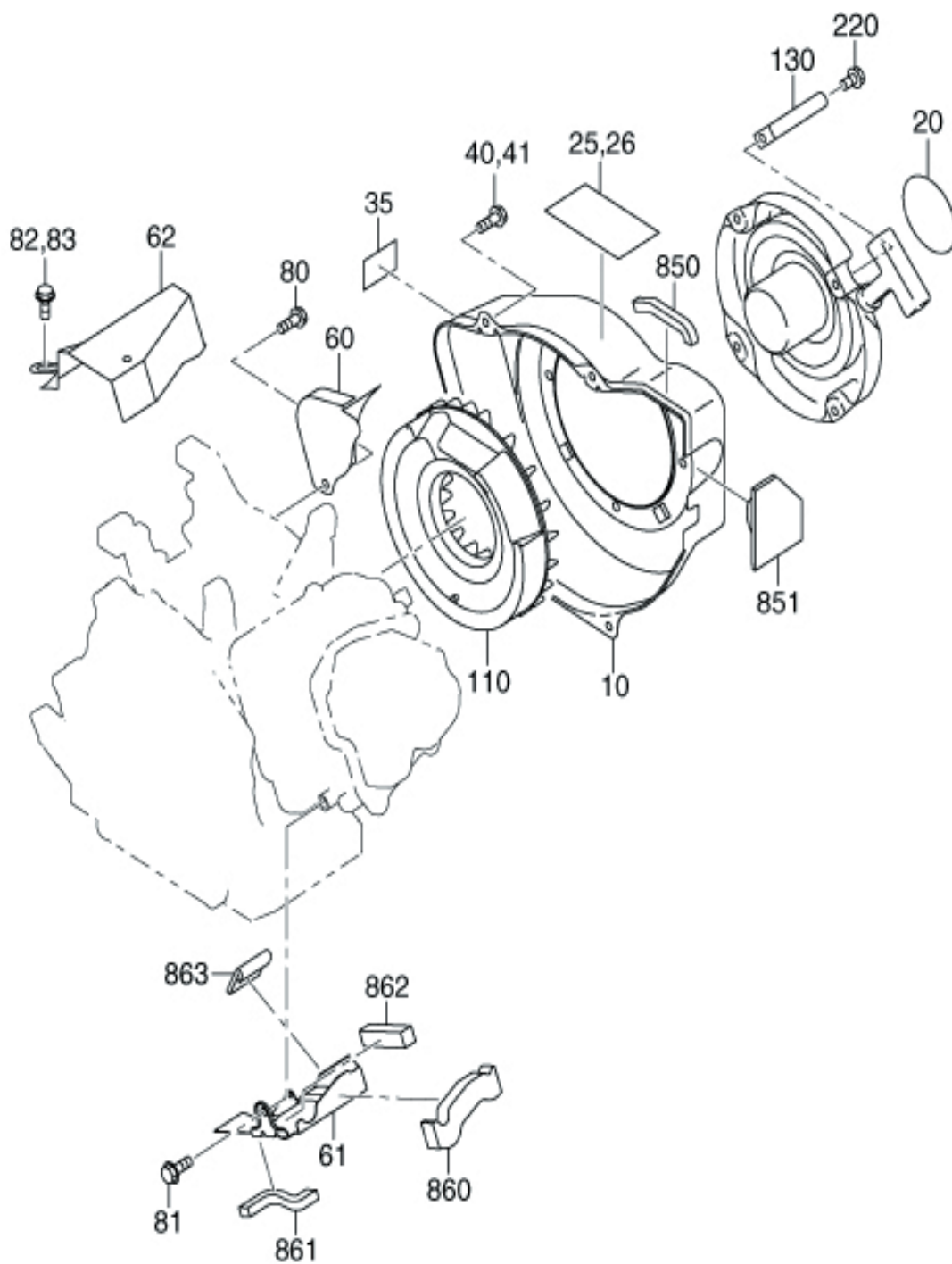


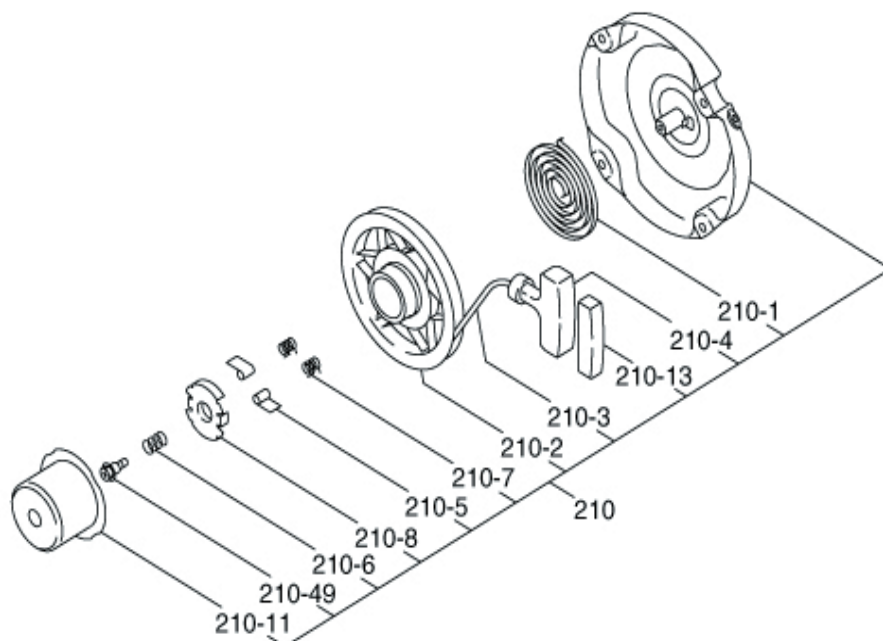
REF.	PART NUMBER	PART NAME	QTY.	REMARKS
10	22E3160201	CAMSHAFT CP	1	GENERATOR
23	20A3510101	PIN(CAM SHAFT)CP	1	
25	20A3510103	PIN(CAM SHAFT)	1	
27	20A0280100	O RING	1	
60	20A3360103	VALVE SPRING	2	
70	20A3370103	SPRING RETAINER	2	
80	22E3340103	INTAKE VALVE	1	
90	22E3350103	EXHAUST VALVE	1	
95	20A3380103	COLLET-VALVE	4	
150	22E3560201	TIMING CHAIN CP	1	
160	20A3691103	TENTIONER	1	
163	20A3710103	SPRING(TENTIONER)	1	
166	20A3690203	PIN(TENTIONER)	1	
170	20A3691303	CHAIN GUIDE	1	
200	20A3500401	PIN(ROCKER) CP	1	
202	20A0321100	CLIP	1	
220	20A3620100	ROCKER ARM(IN) AY	1	
225	20A3620200	ROCKER ARM(EX) AY	1	
290	20A0111100	FLANGE BOLT	1	
340	20A3520103	GASKET(MUFFLER)	1	
341	20A3520101	GASKET CP(EXHAUST)	1	SEND ALONE
350	20A0185120	FLANGE NUT	2	M8X1.25X17DX7.5H
351	20A0185120	FLANGE NUT	2	SEND ALONE
360	20A0111200	TAPPING BOLT	4	SEND ALONE
405	20A3400101	EXHAUST PIPE CP	1	
415	20A0161200	STUD	2	M8X1.25X32L
540	22E3290201	INSULATOR CP	1	
550	22E3590303	GASKET2(INSULATOR)	1	
560	22E3590203	GASKET1(INSULATOR)	1	
570	20A0185200	FLANGE NUT	2	
580	20A0112100	FLANGE BOLT	1	SEND ALONE
620	22E3900101	BRACKET(A/C) CP	1	SEND ALONE
850	22E0810200	RUBBER PIPE	1	8DX11DX115L
855	22E6900103	SPONGE PROTECTOR	1	13DX21Dx85L
				

GENERATOR

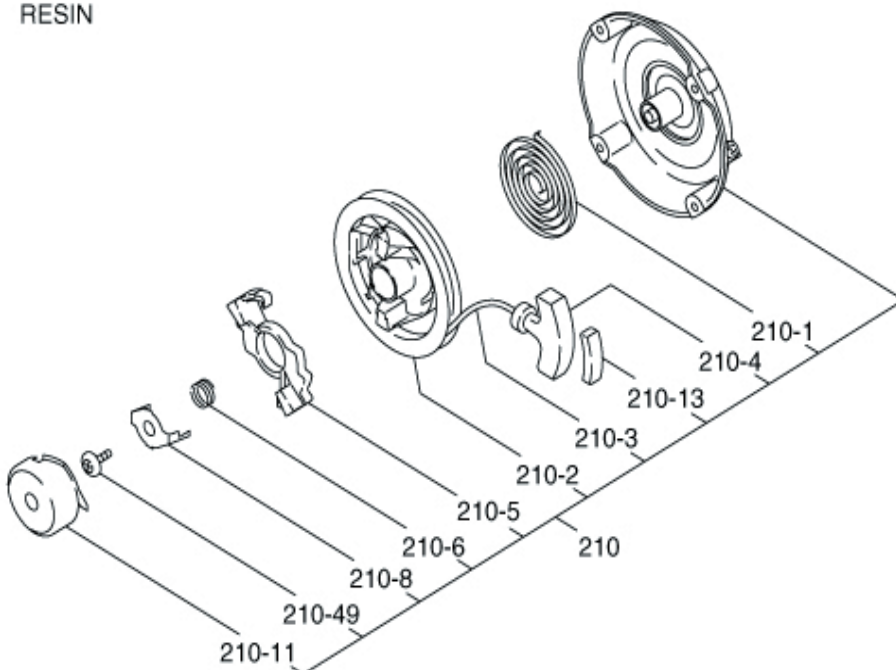


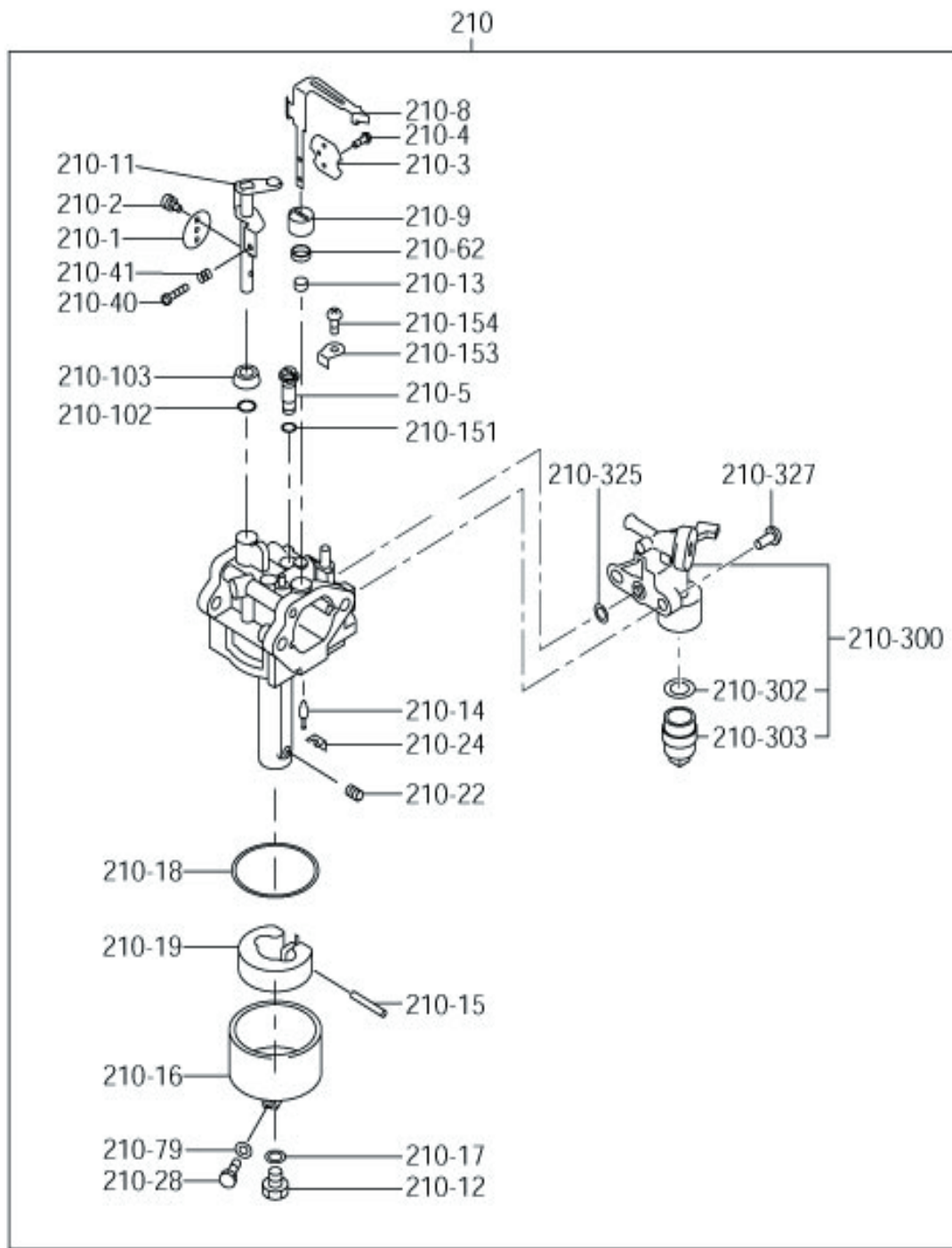


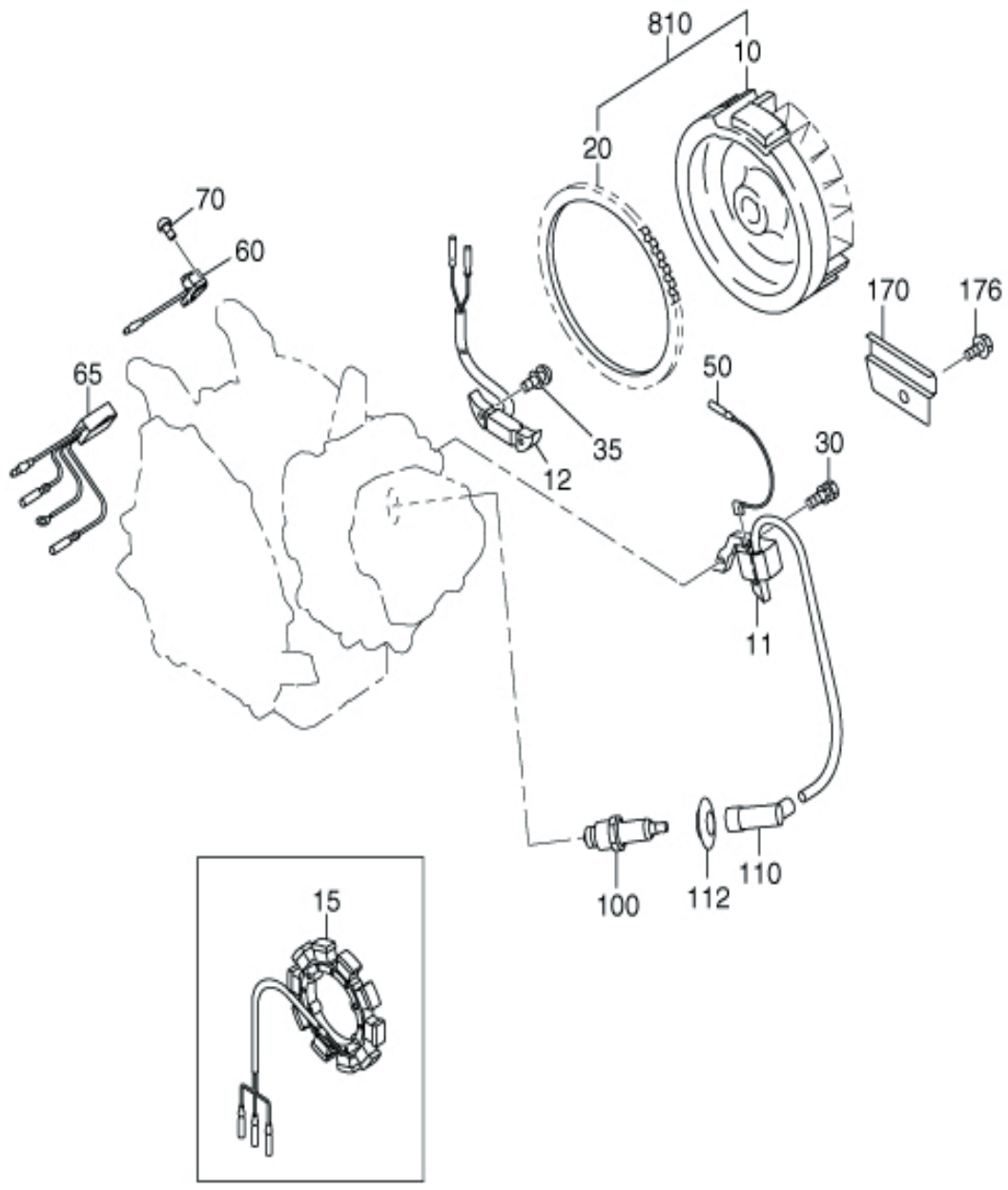


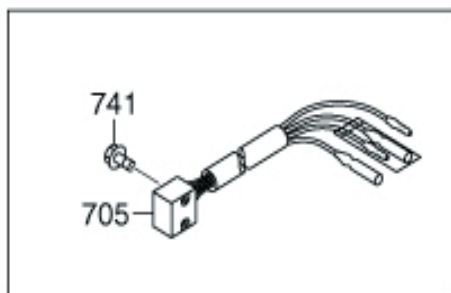
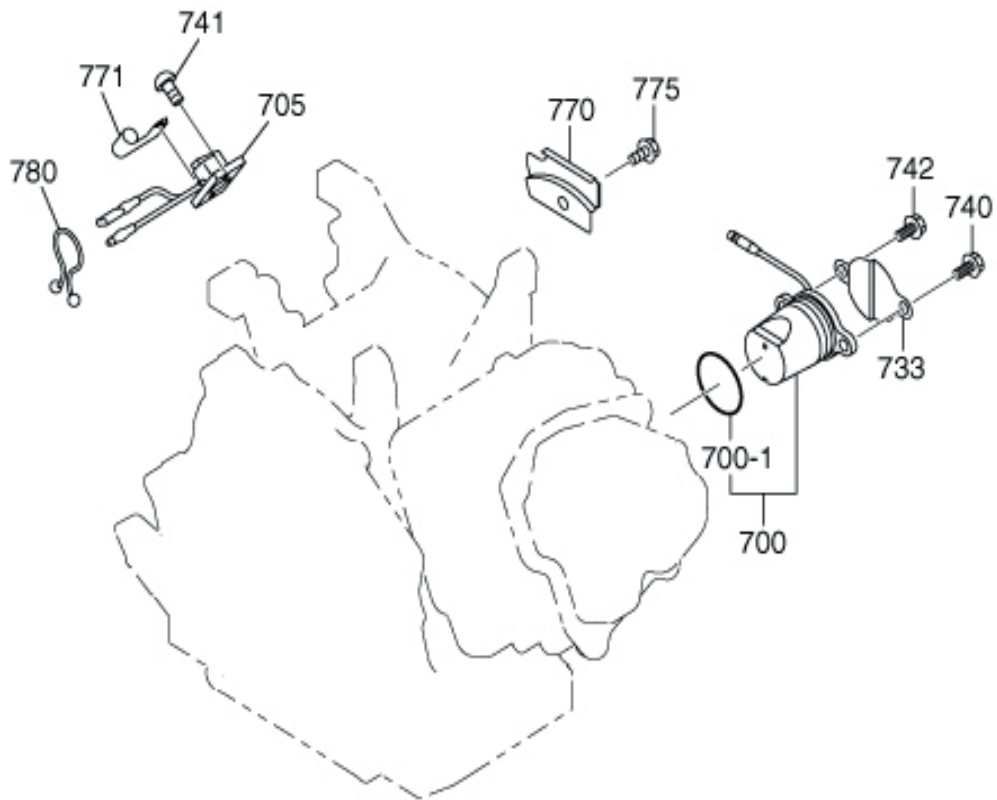


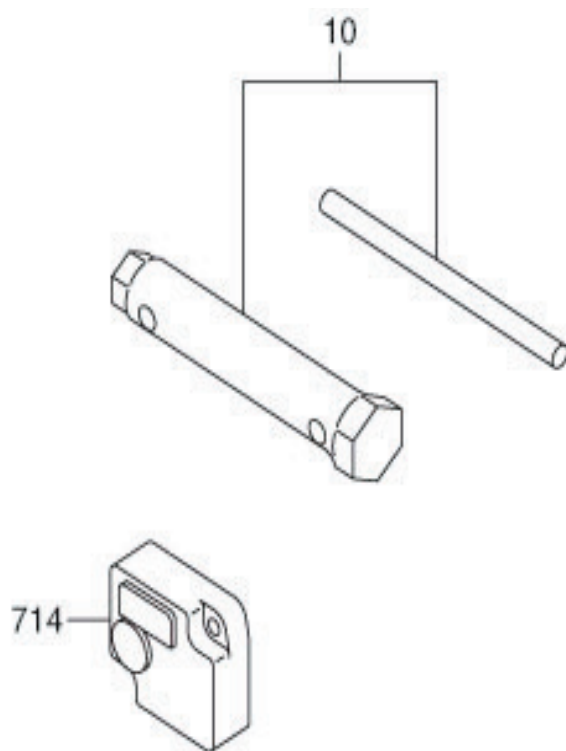
RESIN











www.wormsentreprises.com



Siège social / Head Office

ZAC de Lamirault

39 rue de Lamirault, 77090 Collégien, FRANCE

TEL. +33 (0) 1 64 76 29 50

FAX +33 (0) 1 64 76 29 99

Services commercial et Pièces de rechange

Sales and Spare Parts Departments

TEL. +33 (0) 1 64 76 29 60

FAX +33 (0) 1 64 76 29 99