



**WORMS**  
ENTREPRISES

# PARTS CATALOG

Model  
**EX27**

Engine Model  
EX270DK1250

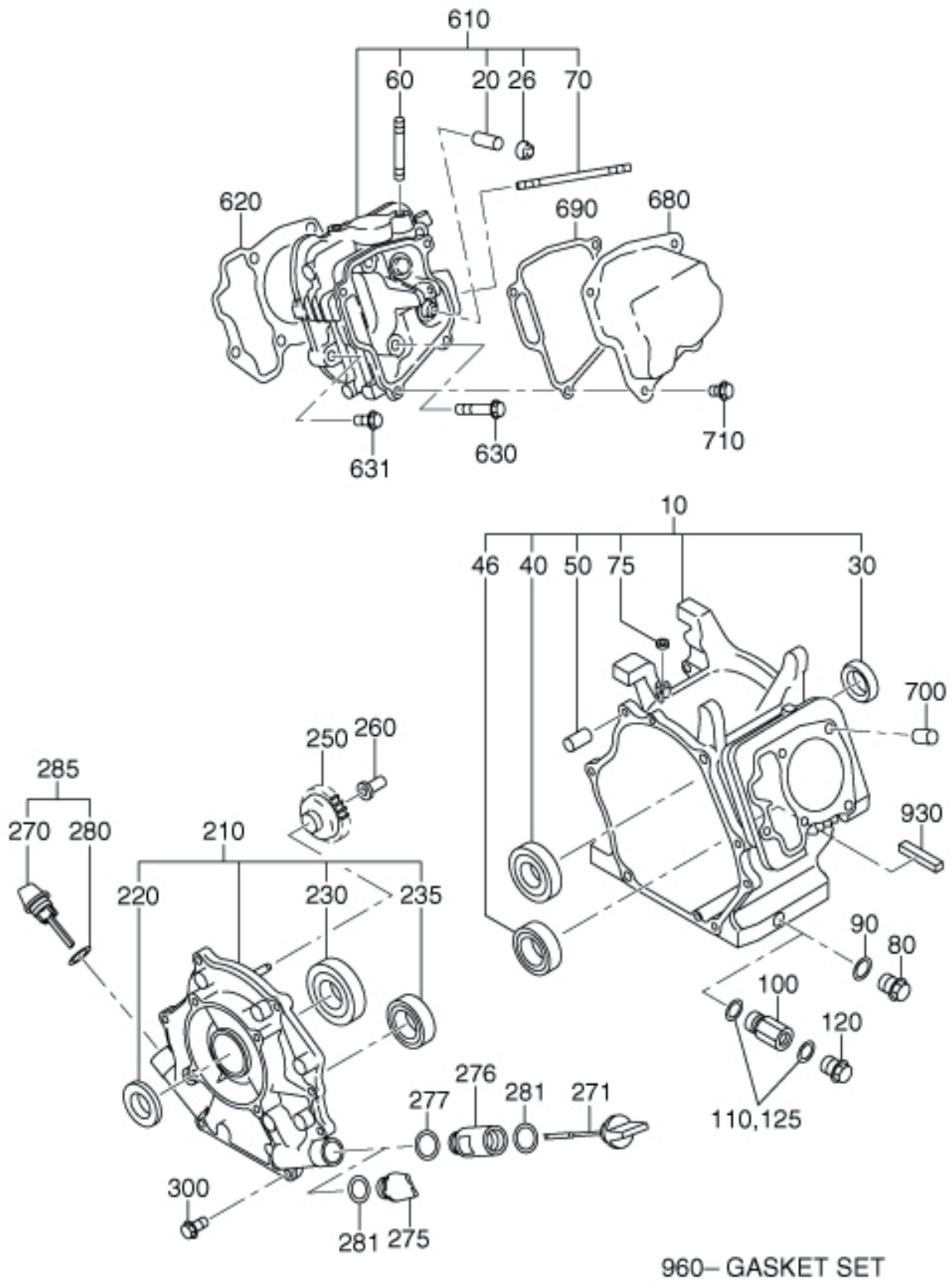
10-09-2021



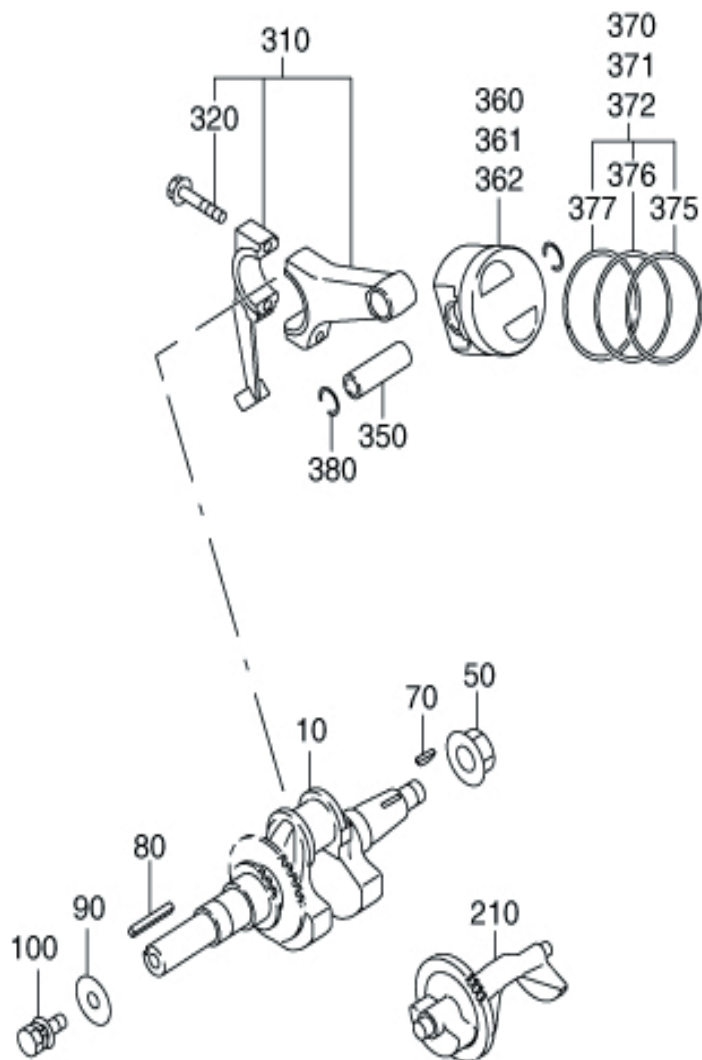
## GROUP INDEX

Group Name	Page
CRANKCASE GROUP .....	4
CRANKSHAFT GROUP .....	6
INTAKE and EXHAUST GROUP.....	8
GOVERNOR GROUP .....	12
COOLING and STARTING GROUP .....	14
FUEL, LUBRICATION GROUP .....	18
ELECTRIC DEVICE GROUP .....	22
ACCESSORY GROUP .....	26

INDEX OF DESCRIPTION SYMBOLS			
SYMBOL	DESCRIPTION	SYMBOL	DESCRIPTION
AY	ASSEMBLY	P=	PITCH (in mm)
CP	COMPLETE	P.T.O. (PTO)	POWER TAKE OFF
EX	EXPORT (from Japan)	REF.	REFERENCE
FIG.	FIGURE	R.H. (RH)	RIGHT HAND SIDE
FR.	FRONT	RR.	REAR
"	INCH	STD.	STANDARD
INCL.	INCLUDE	SW	SWITCH
~L	LITER	T=	THICKNESS (in mm)
L=	LENGTH (in. mm)	UN	UNIT
L.H. (LH)	LEFT-HAND SIDE	U.S.	UNDER SIZE
MECH	MECHANICAL	~V	VOLTAGE
NO (NON)	NONE	~W	WATT
OPT	OPTIONAL	W/	WITH
O.S.	OVER SIZE	W/O	WITHOUT



REF.	PART NUMBER	PART NAME	QTY.	REMARKS
10	22E1010601	CRANKCASE CP	1	O/S
26	20A1601001	STEM SEAL	1	
30	22E0480100	OIL SEAL	1	
40	22E0610100	BALL BEARING	1	
50	20A1501103	PIPE KNOCK	2	
60	20A0161100	STUD	2	
70	22E0160100	STUD	2	
75	20A0480200	OIL SEAL	1	
80	20A0410100	PLUG	2	
90	20A0220100	GASKET	2	
210	22E1100101	MAINBEARING COVER CP	1	METRIC
220	22E0480100	OIL SEAL	1	
230	22E0610100	BALL BEARING	1	
250	20A4500401	GOVERNOR GEAR CP	1	
260	20A4190103	GOVERNOR SLEEVE	1	
280	22E0230100	GASKET	2	
285	22E6360100	OIL GAUGE AY	2	
300	20A0110100	FLANGE BOLT	7	
610	22E1300101	CYLINDER HEAD CP	1	
620	22E1500103	GASKET (HEAD)	1	
630	20A0110200	FLANGE BOLT	4	
631	20A0110300	FLANGE BOLT	1	
680	20A1550501	ROCKER COVER CP	1	
690	20A1600113	GASKET(ROCKER COVER)	1	
700	20A1501103	PIPE KNOCK	2	
710	20A0111100	FLANGE BOLT	4	





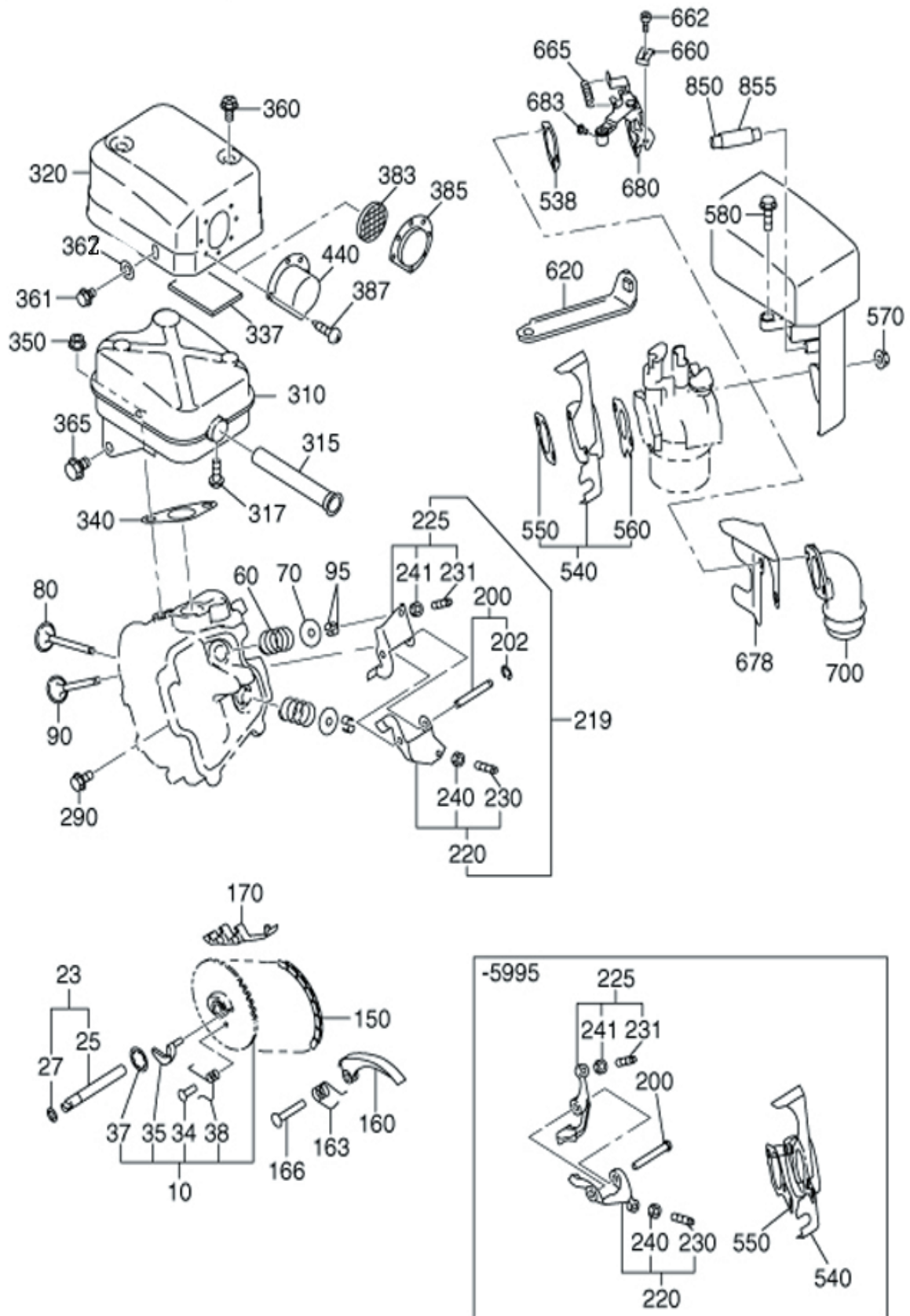
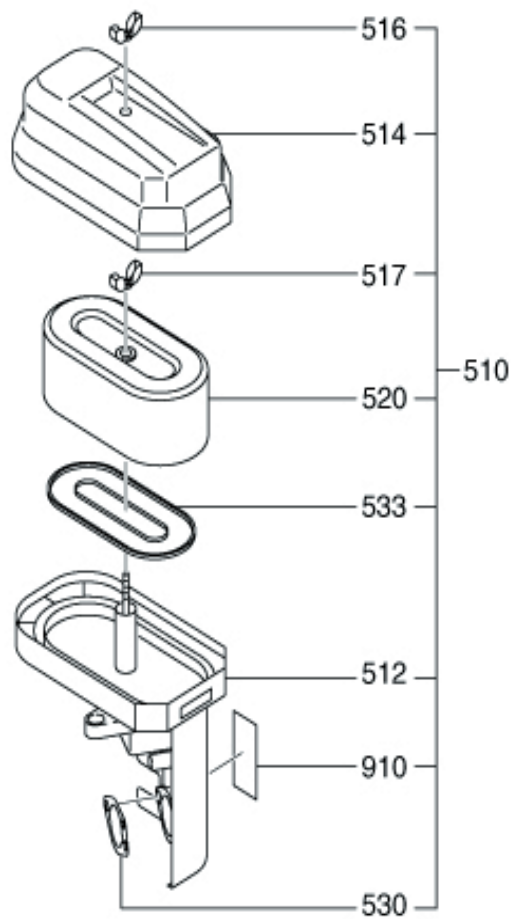




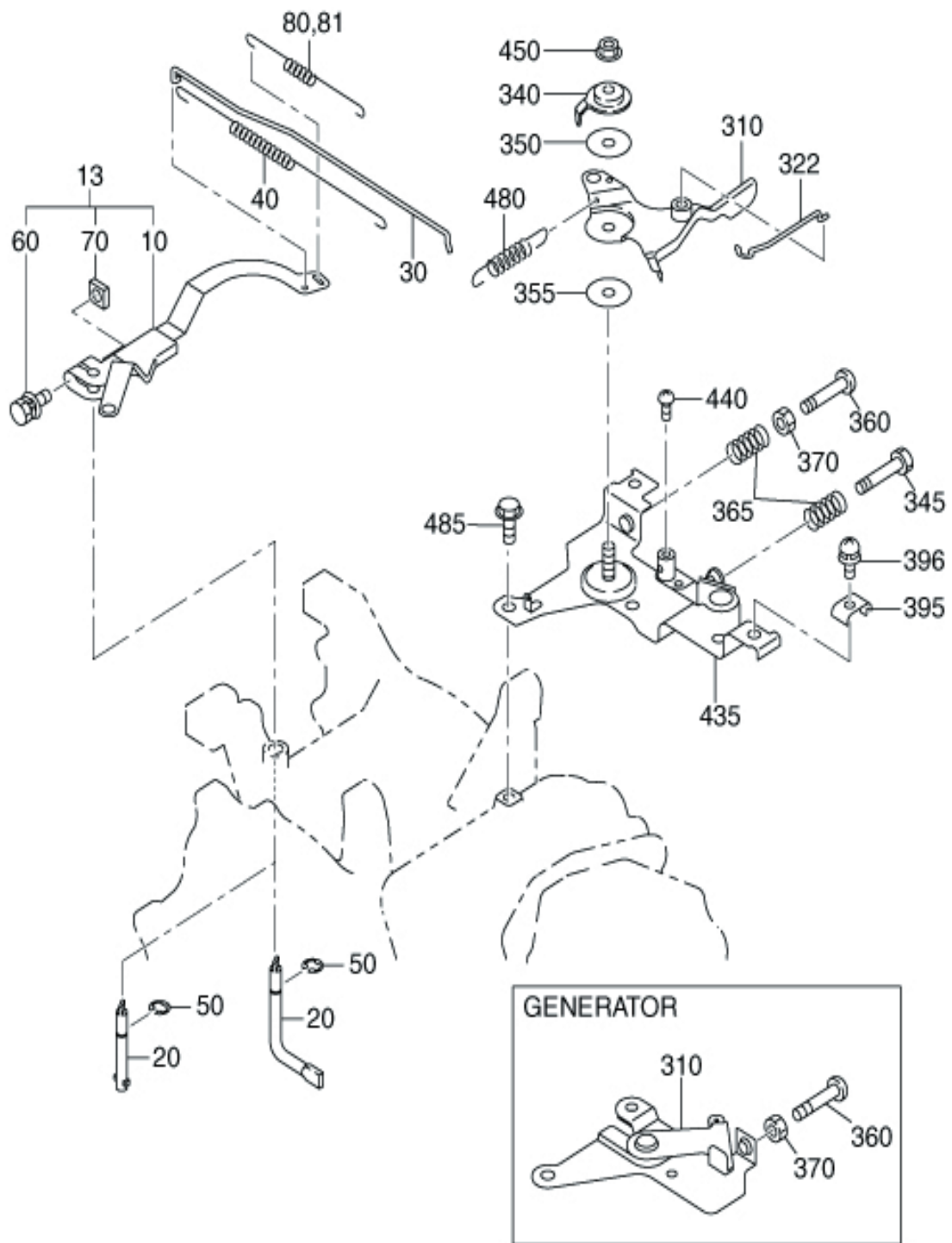
FIG. 300 INTAKE and EXHAUST GROUP

REF.	PART NUMBER	PART NAME	QTY.	REMARKS
10	22E3160101	CAMSHAFT CP	1	
23	20A3510101	PIN(CAM SHAFT)CP	1	
25	20A3510103	PIN(CAM SHAFT)	1	
27	20A0280100	O RING	1	
60	20A3360103	VALVE SPRING	2	
70	20A3370103	SPRING RETAINER	2	
80	22E3340103	INTAKE VALVE	1	
90	22E3350103	EXHAUST VALVE	1	
95	20A3380103	COLLET-VALVE	4	
150	22E3560201	TIMING CHAIN CP	1	
160	20A3691103	TENTIONER	1	
163	20A3710103	SPRING(TENTIONER)	1	
166	20A3690203	PIN(TENTIONER)	1	
170	20A3691303	CHAIN GUIDE	1	
200	20A3500401	PIN(ROCKER) CP	1	
202	20A0321100	CLIP	1	
220	20A3620100	ROCKER ARM(IN) AY	1	
225	20A3620200	ROCKER ARM(EX) AY	1	
290	20A0111100	FLANGE BOLT	1	
310	22E3010101	MUFFLER CP	1	
320	22E3420101	MUFFLER COVER CP	1	
340	20A3520103	GASKET(MUFFLER)	1	
350	20A0185120	FLANGE NUT	2	
360	20A0120100	TAPPING BOLT	2	
361	20A0111200	FLANGE BOLT	1	
362	20A0210100	WASHER	1	
365	20A0110400	FLANGE BOLT	1	
387	20A0140200	TAPPING SCREW	2	
440	20A3700111	DEFLECTOR CP	1	
540	22E3290201	INSULATOR CP	1	
550	22E3590303	GASKET2(INSULATOR)	1	
560	22E3590203	GASKET1(INSULATOR)	1	
570	20A0185200	FLANGE NUT	2	
580	20A0111300	FLANGE BOLT	1	
850	22E0810200	RUBBER PIPE	1	

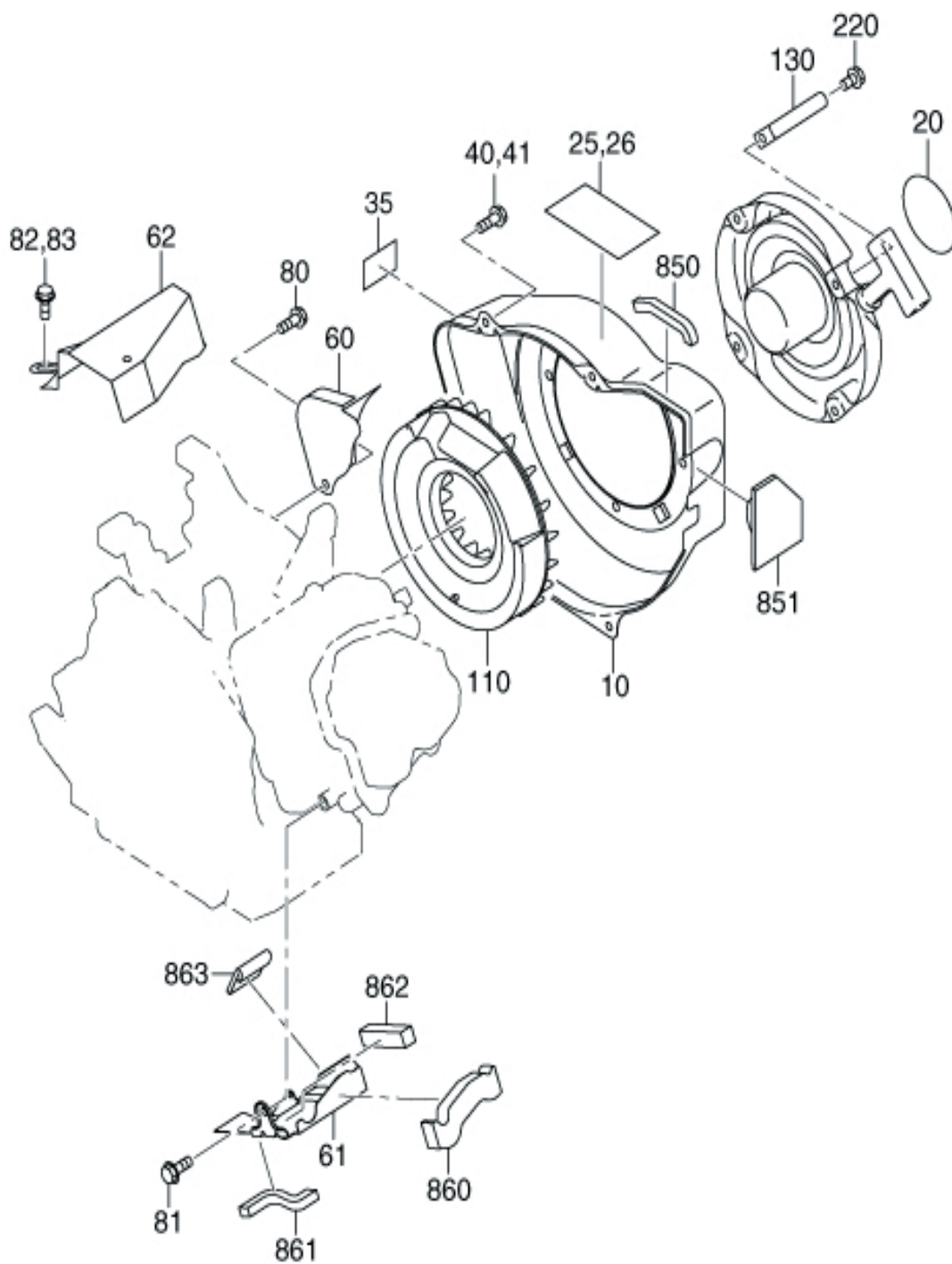
DUAL ELEMENT



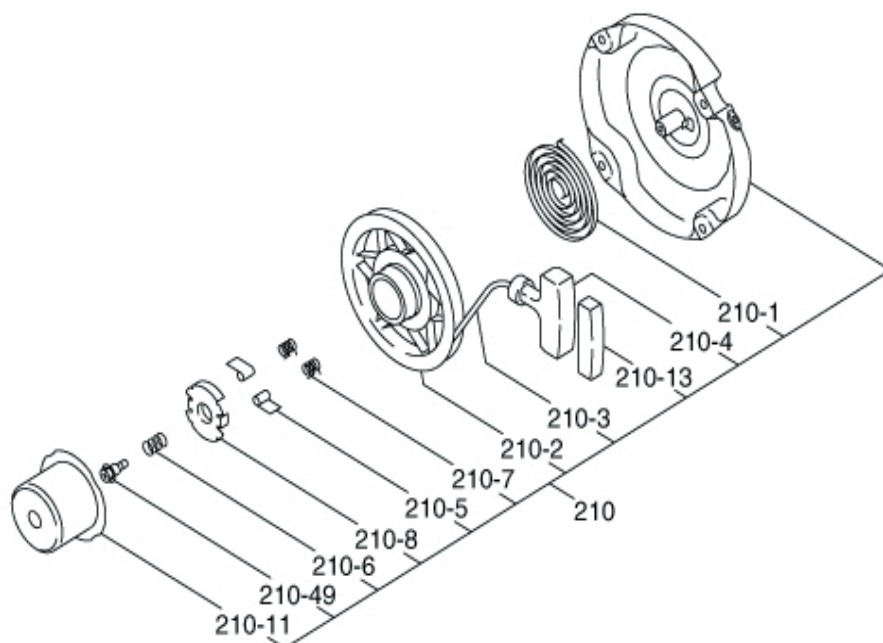




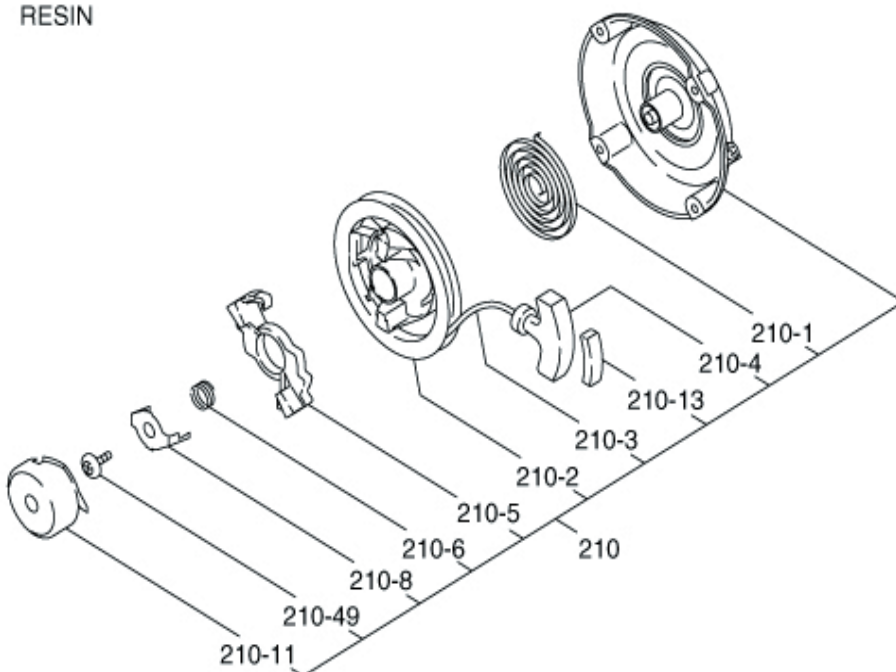






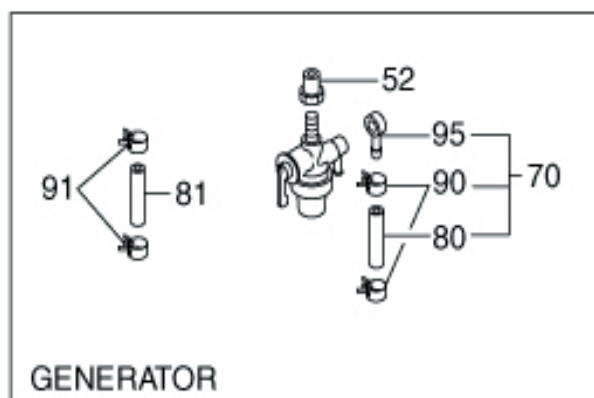
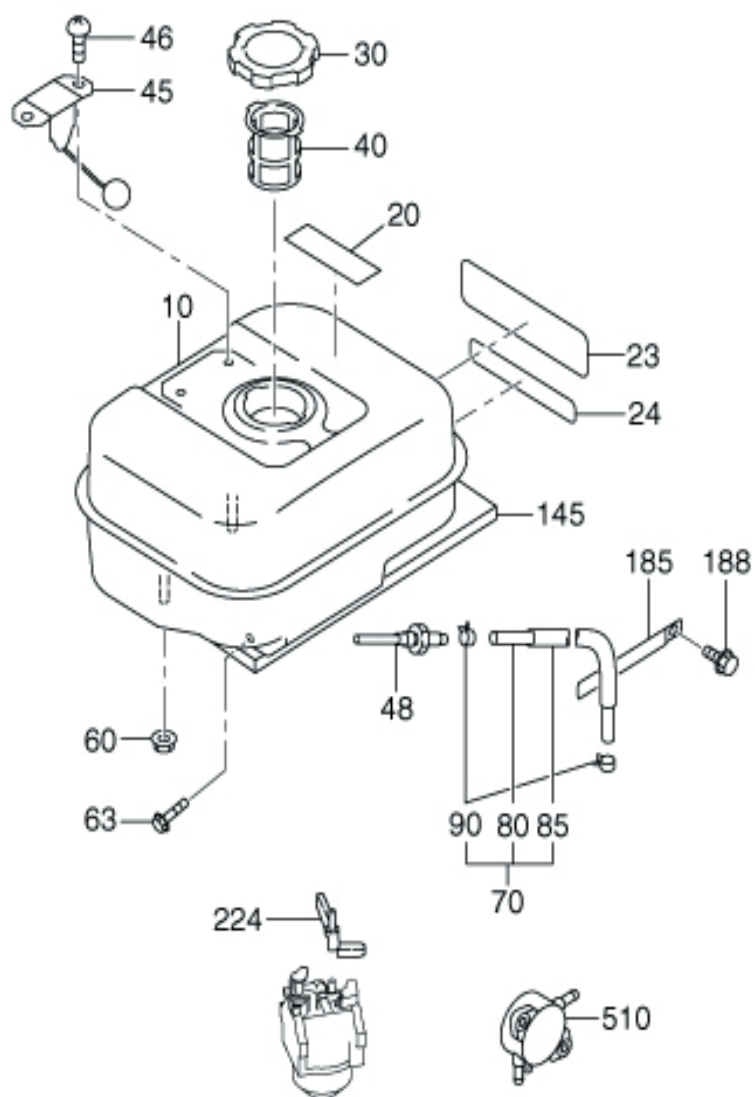


RESIN

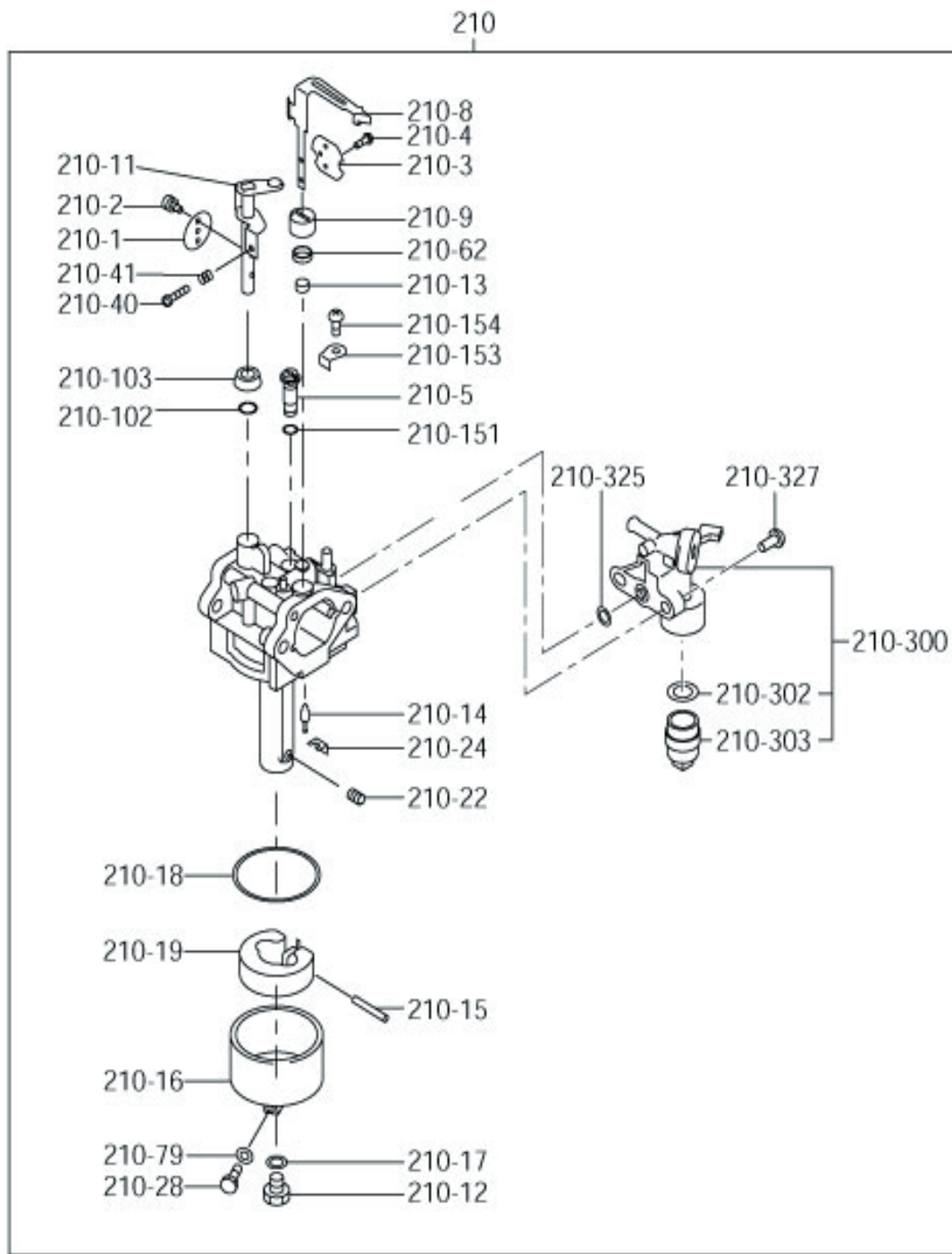




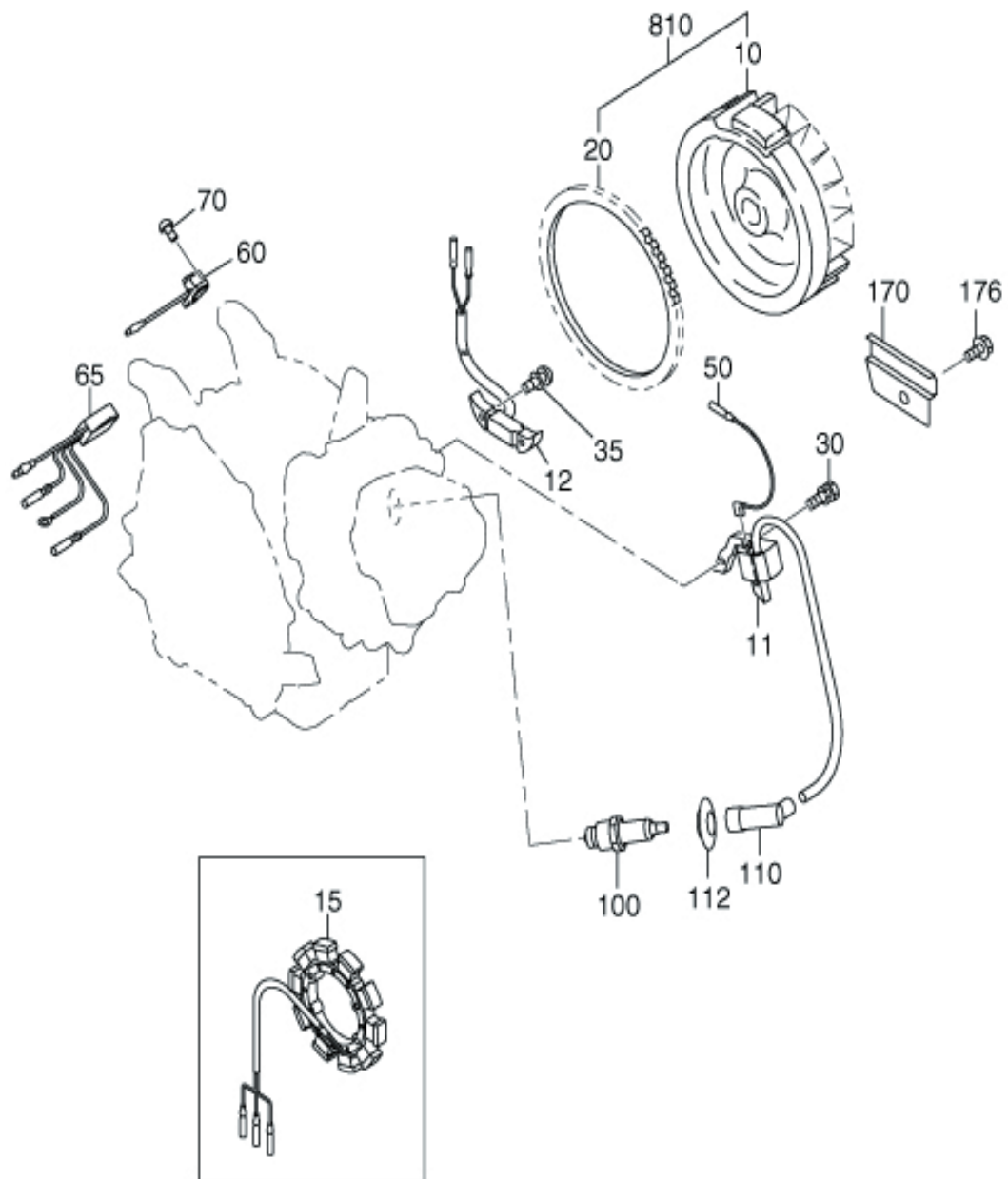




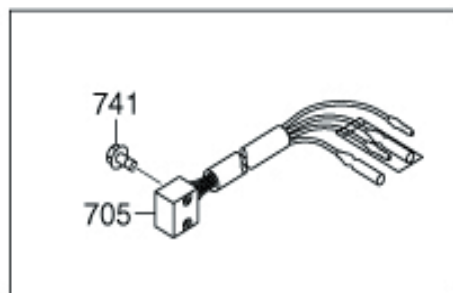
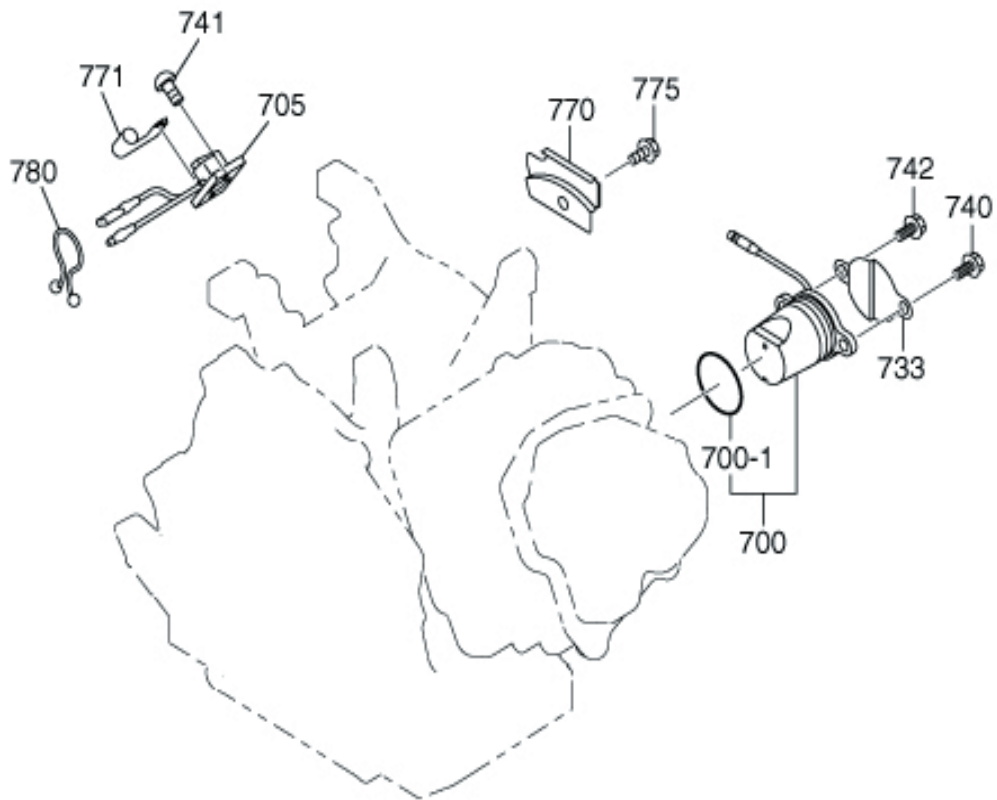






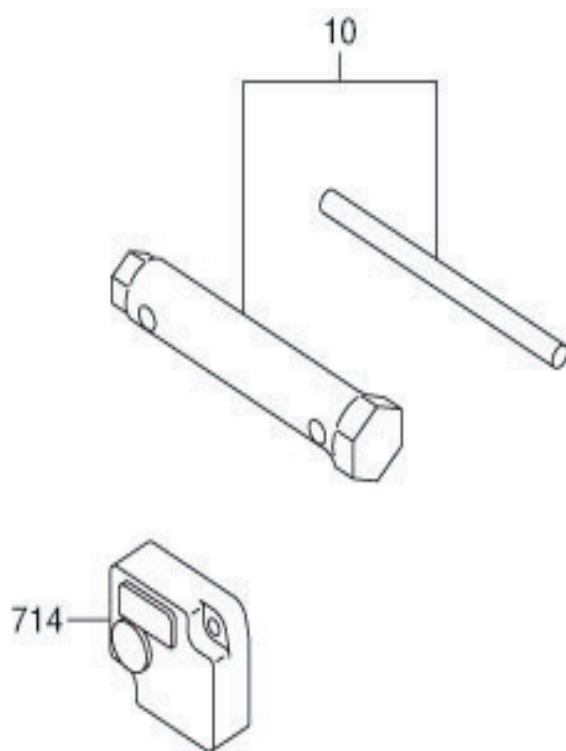














[www.wormsentreprises.com](http://www.wormsentreprises.com)



**Siège social / Head Office**

ZAC de Lamirault

39 rue de Lamirault, 77090 Collégien, FRANCE

TEL. +33 (0) 1 64 76 29 50

FAX +33 (0) 1 64 76 29 99

**Services commercial et Pièces de rechange**

*Sales and Spare Parts Departments*

TEL. +33 (0) 1 64 76 29 60

FAX +33 (0) 1 64 76 29 99