



**WORMS**  
E N T R E P R I S E S

# PARTS CATALOG

Model  
**EX27**

Engine Model  
EX270DK4021

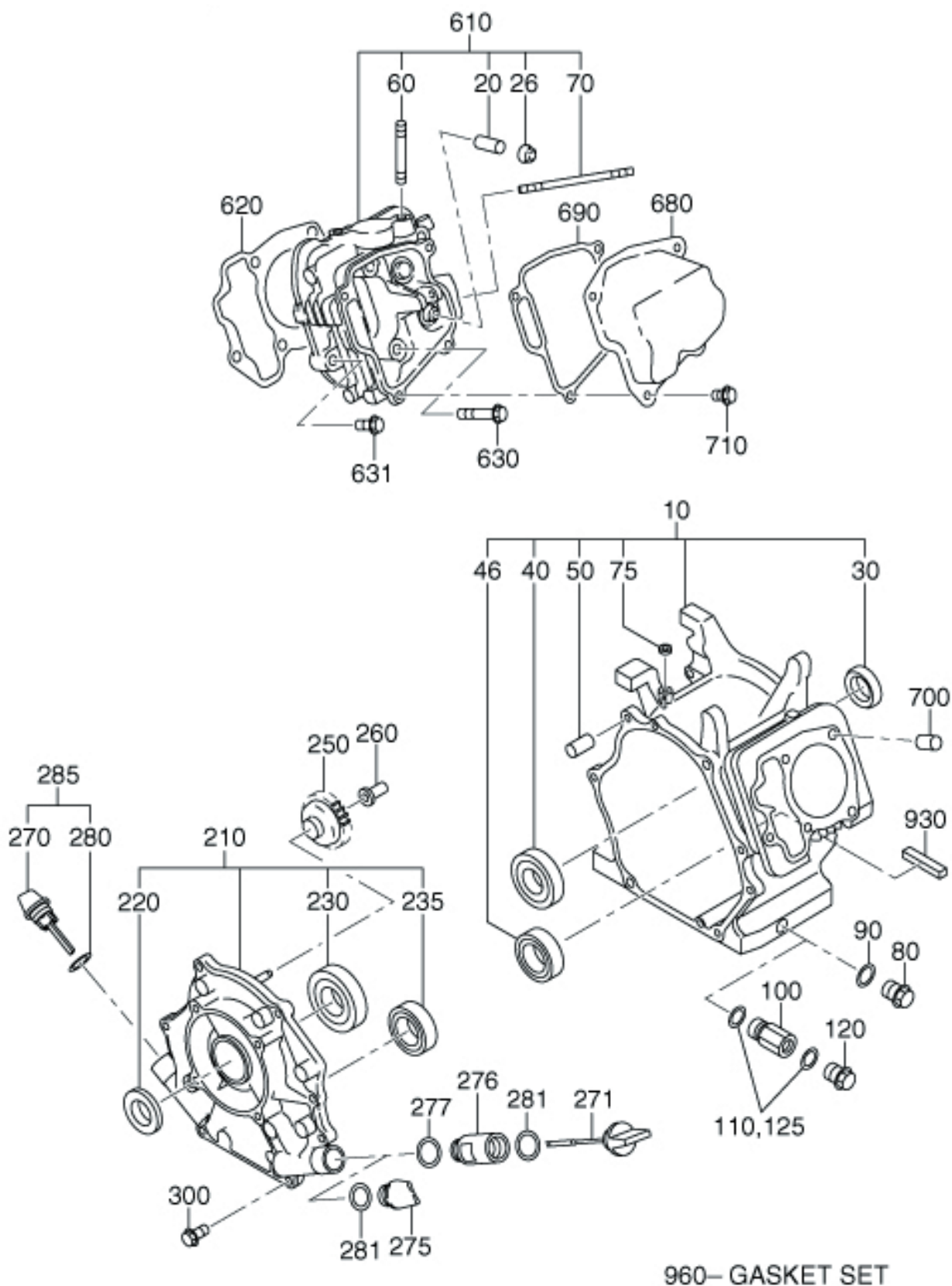
16-08-2021



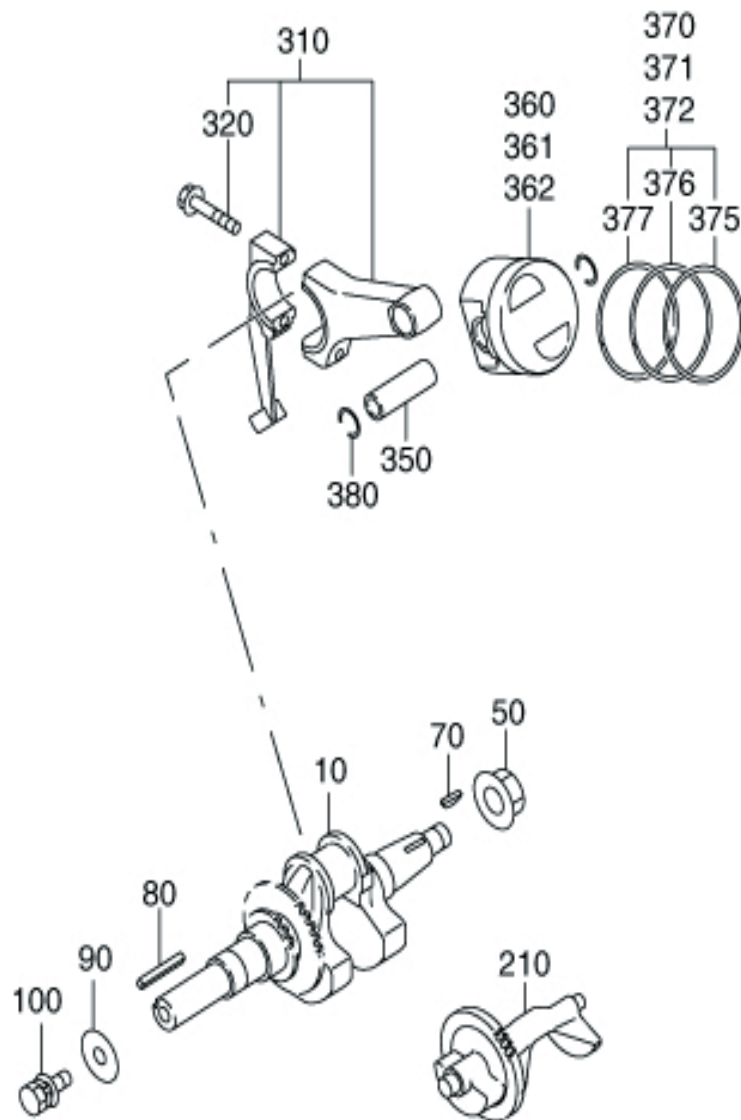
## GROUP INDEX

| Group Name                       | Page |
|----------------------------------|------|
| CRANKCASE GROUP .....            | 4    |
| CRANKSHAFT GROUP .....           | 6    |
| INTAKE and EXHAUST GROUP .....   | 8    |
| GOVERNOR GROUP .....             | 12   |
| COOLING and STARTING GROUP ..... | 14   |
| FUEL, LUBRICATION GROUP .....    | 16   |
| CARBURETOR GROUP .....           | 18   |
| ELECTRIC DEVICE GROUP .....      | 20   |
| ACCESSORY GROUP .....            | 24   |

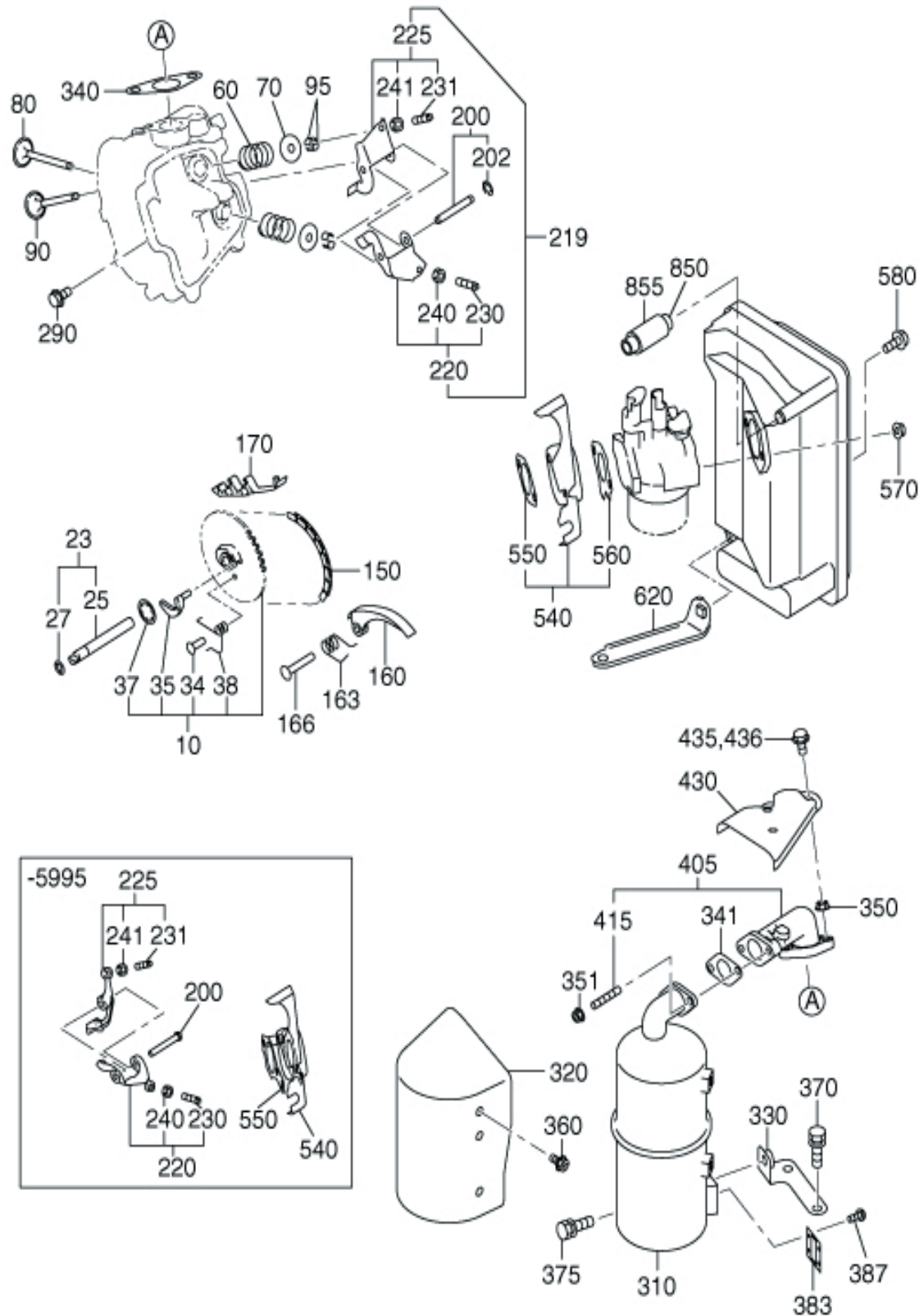
| INDEX OF DESCRIPTION SYMBOLS |                     |              |                   |
|------------------------------|---------------------|--------------|-------------------|
| SYMBOL                       | DESCRIPTION         | SYMBOL       | DESCRIPTION       |
| AY                           | ASSEMBLY            | P=           | PITCH (in mm)     |
| CP                           | COMPLETE            | P.T.O. (PTO) | POWER TAKE OFF    |
| EX                           | EXPORT (from Japan) | REF.         | REFERENCE         |
| FIG.                         | FIGURE              | R.H. (RH)    | RIGHT HAND SIDE   |
| FR.                          | FRONT               | RR.          | REAR              |
| "                            | INCH                | STD.         | STANDARD          |
| INCL.                        | INCLUDE             | SW           | SWITCH            |
| ~L                           | LITER               | T=           | THICKNESS (in mm) |
| L=                           | LENGTH (in. mm)     | UN           | UNIT              |
| L.H. (LH)                    | LEFT-HAND SIDE      | U.S.         | UNDER SIZE        |
| MECH                         | MECHANICAL          | ~V           | VOLTAGE           |
| NO (NON)                     | NONE                | ~W           | WATT              |
| OPT.                         | OPTIONAL            | W/           | WITH              |
| O.S.                         | OVER SIZE           | W/O          | WITHOUT           |





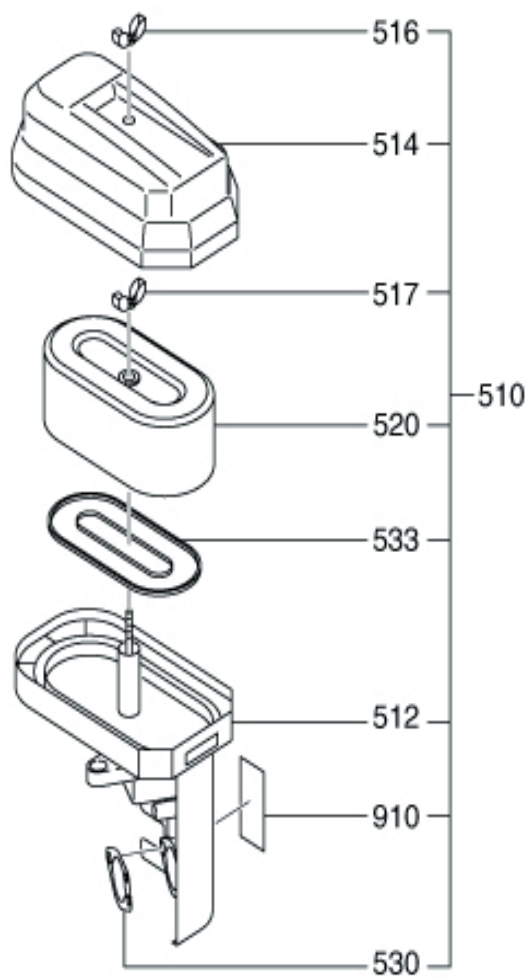




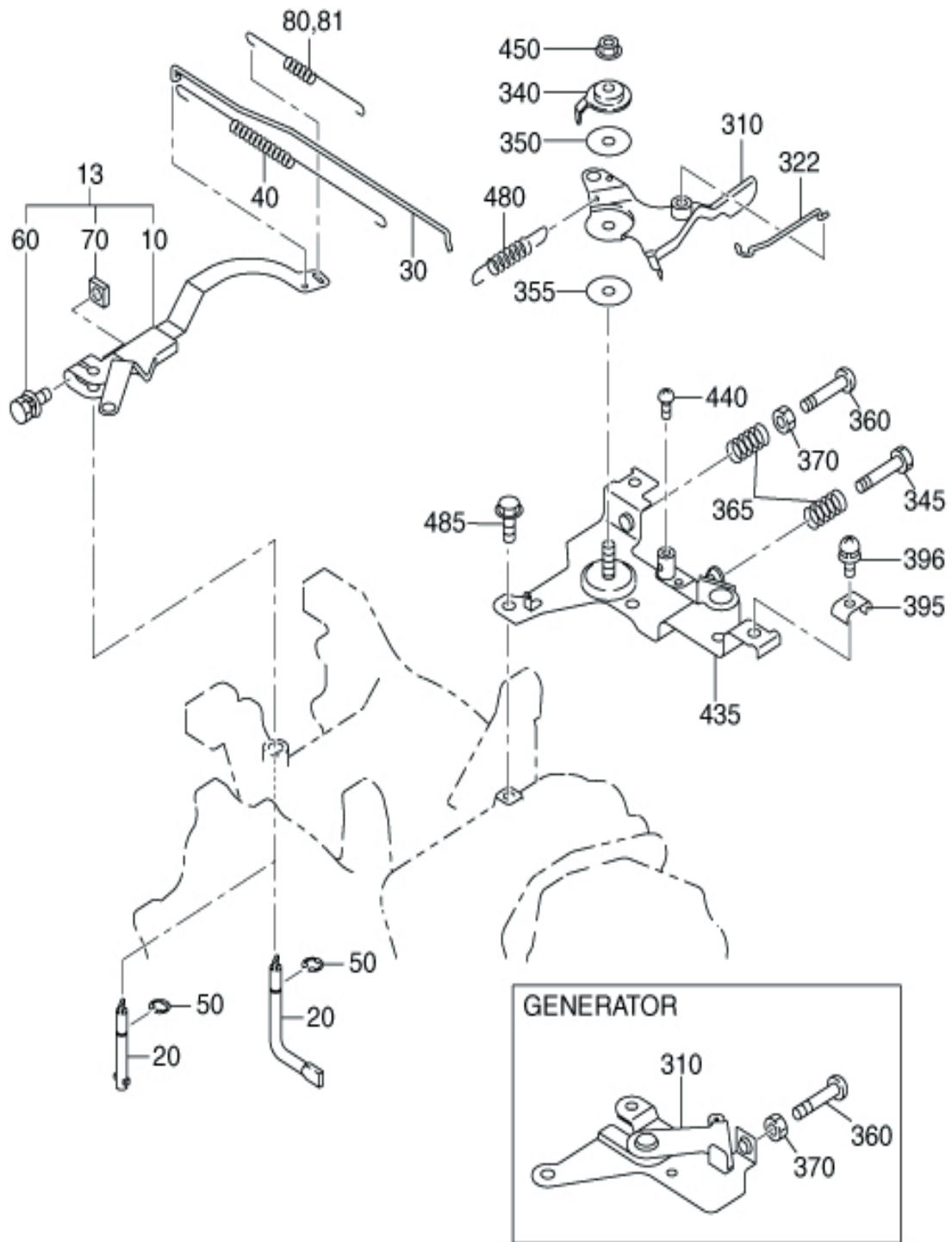




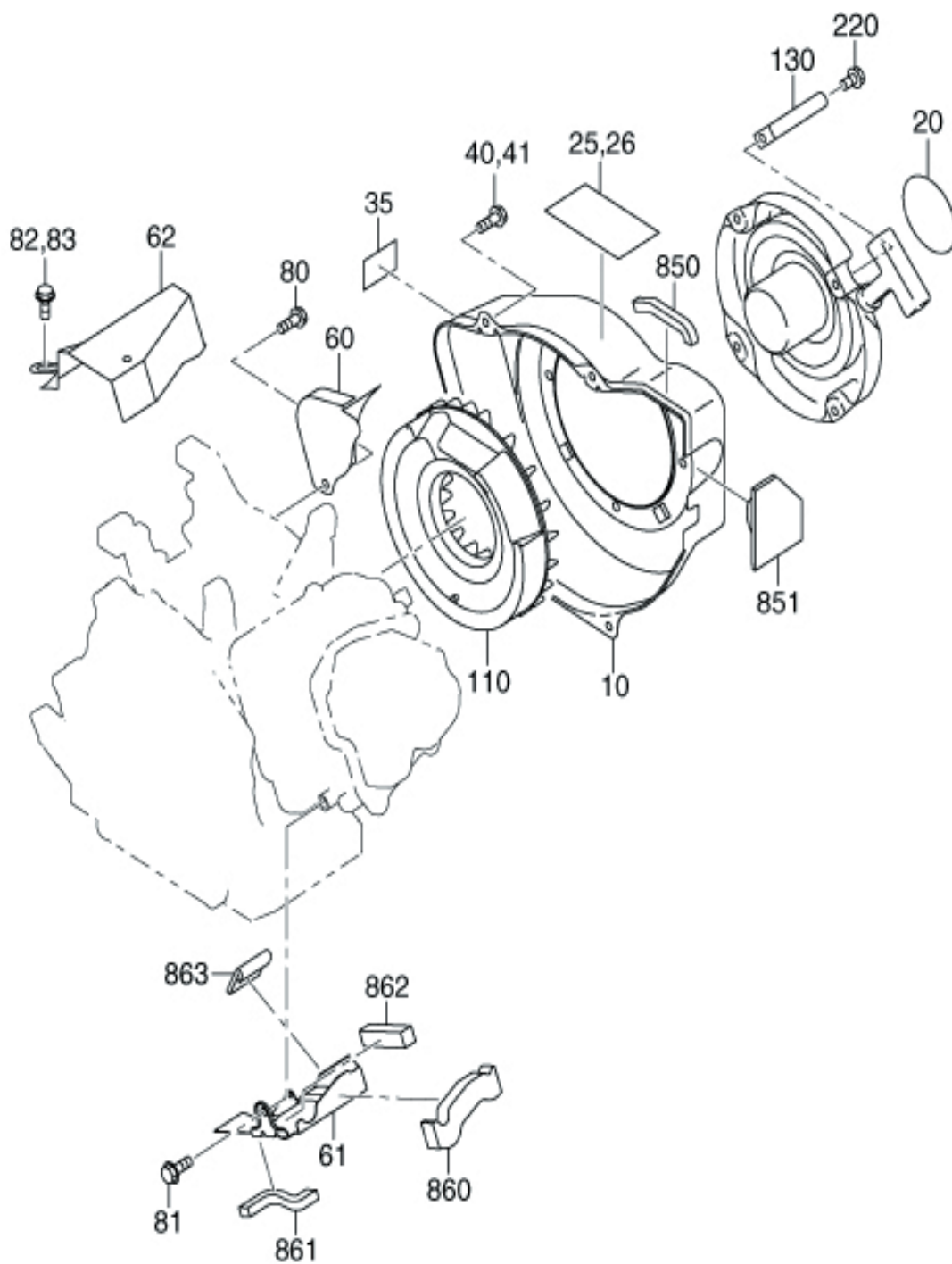
| REF.  | PART NUMBER | PART NAME          | QTY. | REMARKS         |
|---|-------------|--------------------|------|-----------------|
| 10  | 22E3160101  | CAMSHAFT CP        | 1    |                 |
| 23  | 20A3510101  | PIN(CAM SHAFT) CP  | 1    |                 |
| 25  | 20A3510103  | PIN(CAM SHAFT)     | 1    |                 |
| 27  | 20A0280100  | O RING             | 1    |                 |
| 60  | 20A3360103  | VALVE SPRING       | 2    |                 |
| 70  | 20A3370103  | SPRING RETAINER    | 2    |                 |
| 80  | 22E3340103  | INTAKE VALVE       | 1    |                 |
| 90  | 22E3350103  | EXHAUST VALVE      | 1    |                 |
| 95  | 20A3380103  | COLLET-VALVE       | 4    |                 |
| 150   | 22E3560201  | TIMING CHAIN CP    | 1    | 100 LINK        |
| 160   | 20A3691103  | TENTIONER          | 1    |                 |
| 163   | 20A3710103  | SPRING(TENTIONER)  | 1    |                 |
| 166   | 20A3690203  | PIN(TENTIONER)     | 1    |                 |
| 170   | 20A3691303  | CHAIN GUIDE        | 1    |                 |
| 200   | 20A3500401  | PIN(ROCKER) CP     | 1    |                 |
| 202   | 20A0321100  | CLIP               | 1    |                 |
| 220   | 20A3620100  | ROCKER ARM(IN) AY  | 1    |                 |
| 225   | 20A3620200  | ROCKER ARM(EX) AY  | 1    |                 |
| 290   | 20A0111100  | FLANGE BOLT        | 1    |                 |
| 340   | 20A3520103  | GASKET(MUFFLER)    | 1    | SEND ALONE      |
| 341   | 20A3520101  | GASKET CP(EXHAUST) | 1    | SEND ALONE      |
| 350   | 20A0185120  | FLANGE NUT         | 2    |                 |
| 351   | 20A0185120  | FLANGE NUT         | 2    | SEND ALONE      |
| 360   | 20A0111200  | FLANGE BOLT        | 4    | SEND ALONE      |
| 405   | 20A3400101  | EXHAUST PIPE CP    | 1    |                 |
| 415   | 20A0161200  | STUD               | 2    | M8X1.25X32L     |
| 430   | 2795500103  | COVER,EXHAUST PIPE | 1    |                 |
| 435   | 20A0111100  | FLANGE BOLT        | 1    | M6X1.0X14DX12L  |
| 436   | 20A0110400  | FLANGE BOLT        | 2    | M8X1.25X16DX12L |
| 540   | 22E3290201  | INSULATOR CP       | 1    | W/GASKET        |
| 550   | 22E3590303  | GASKET2(INSULATOR) | 1    | T=0.5           |
| 560   | 22E3590203  | GASKET1(INSULATOR) | 1    | T=0.5           |
| 570   | 20A0185200  | FLANGE NUT         | 2    | M6X1.0X13DX6H   |
| 850   | 22E0810200  | RUBBER PIPE        | 1    | 8DX11DX115L     |
|  |             |                    |      |                 |



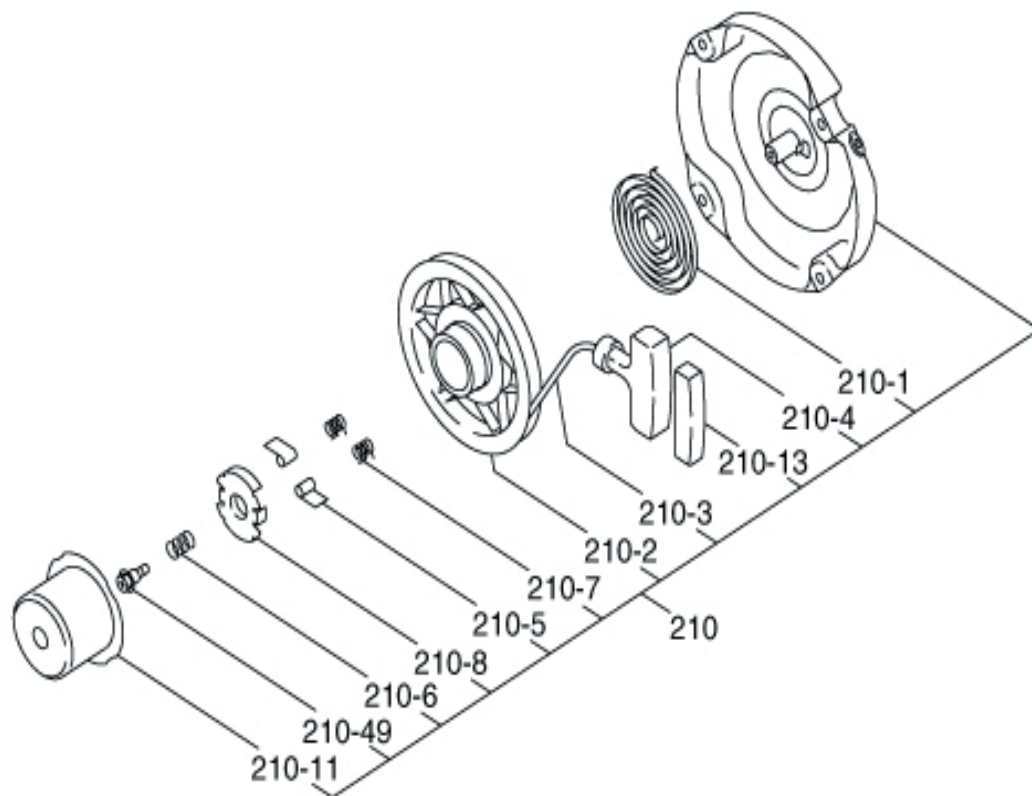






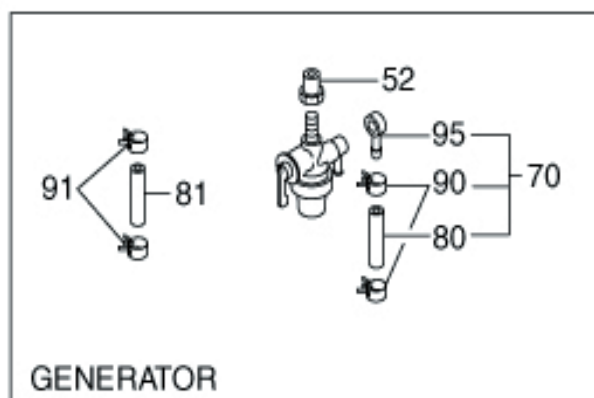
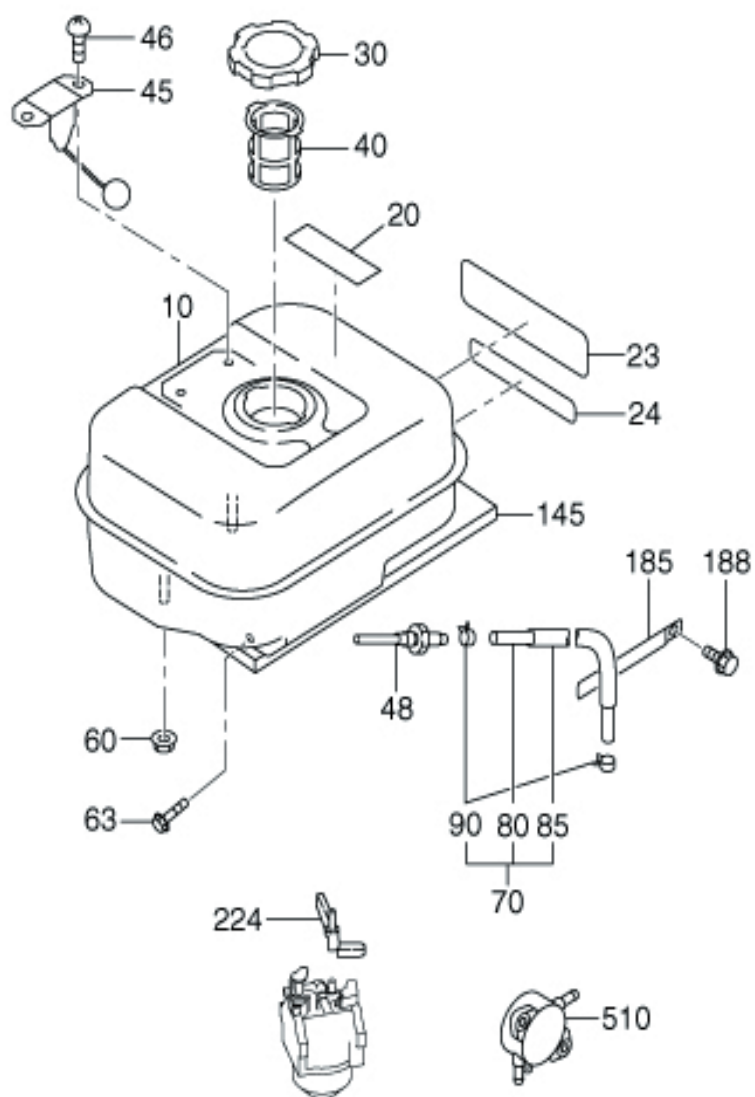




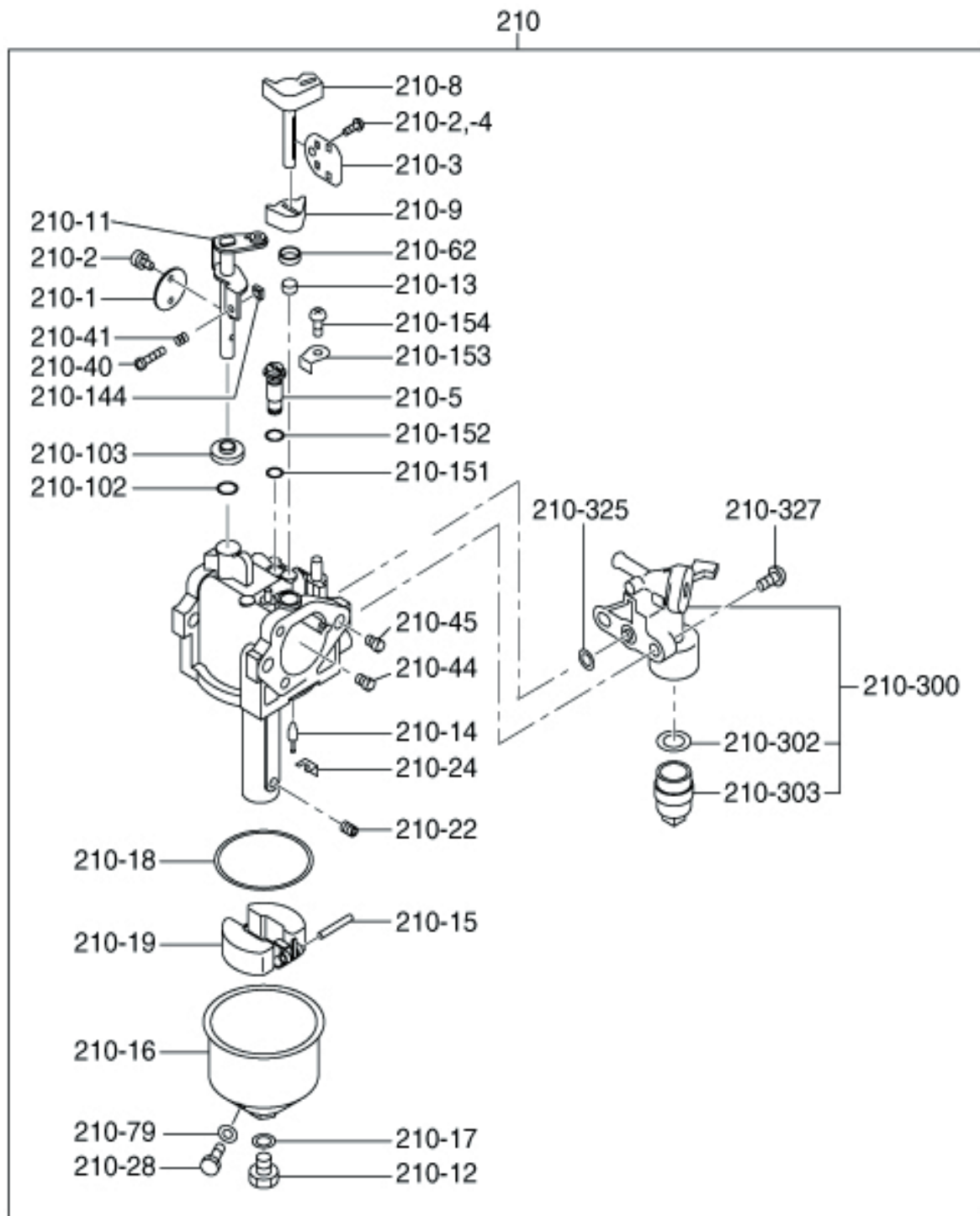




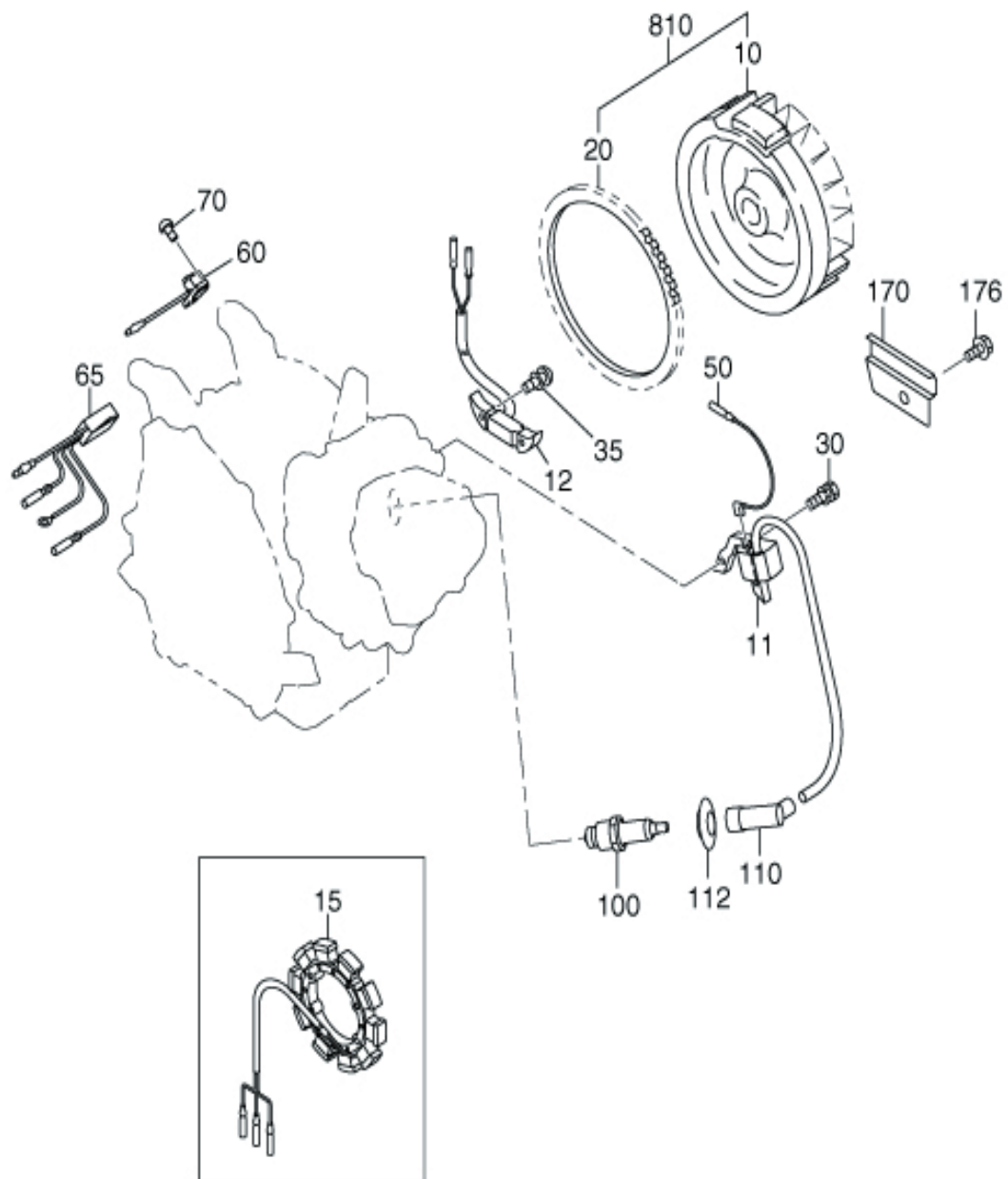




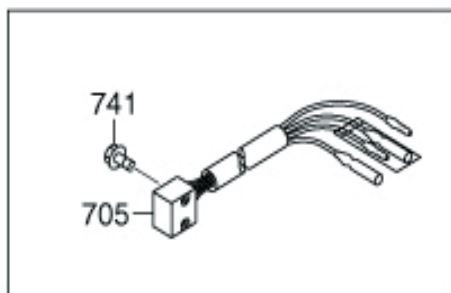
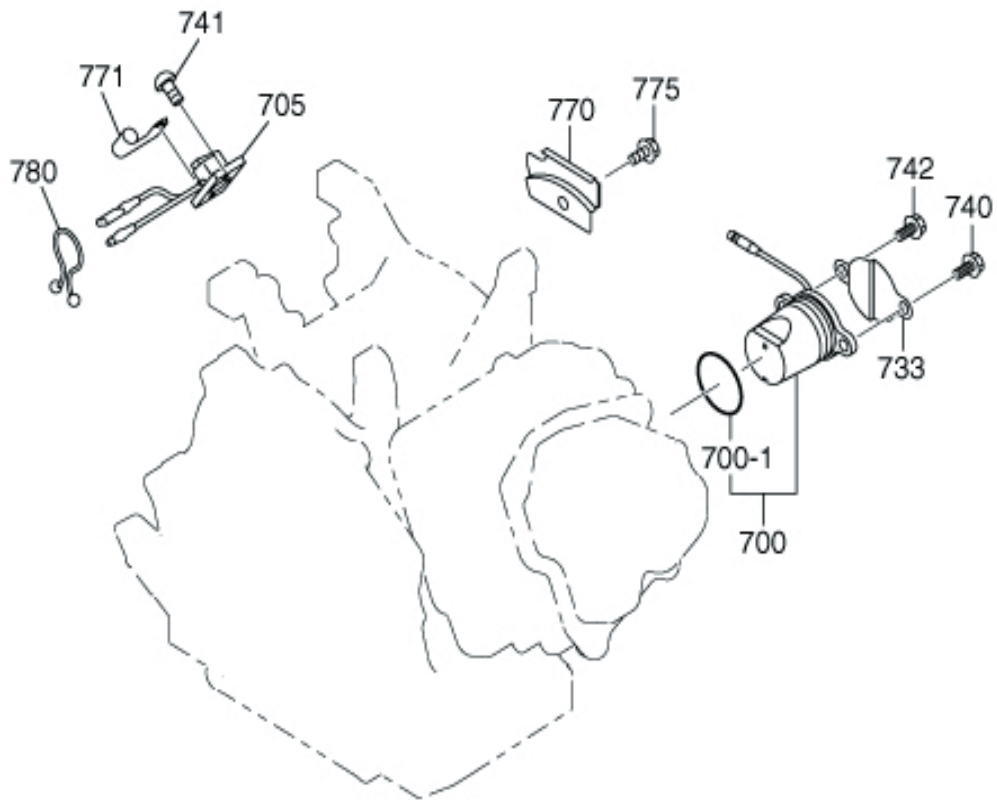






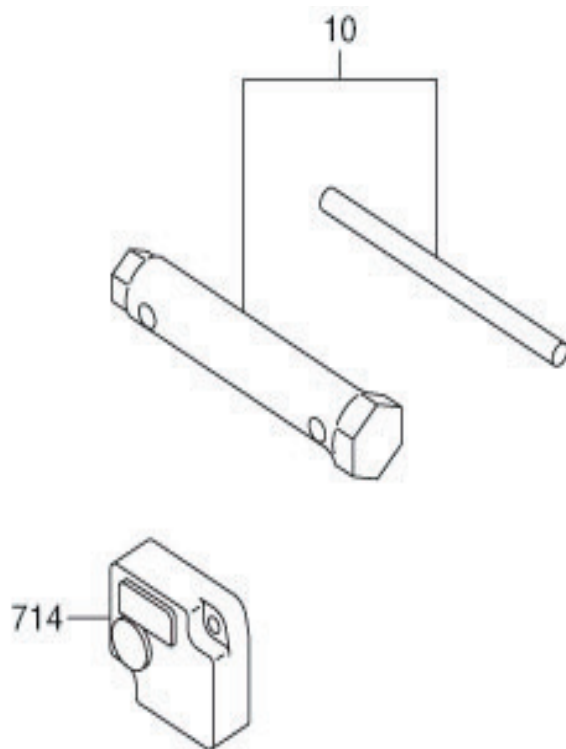














[www.wormsentreprises.com](http://www.wormsentreprises.com)



**Siège social / Head Office**

ZAC de Lamirault

39 rue de Lamirault, 77090 Collégien, FRANCE

TEL. +33 (0) 1 64 76 29 50

FAX +33 (0) 1 64 76 29 99

**Services commercial et Pièces de rechange**

*Sales and Spare Parts Departments*

TEL. +33 (0) 1 64 76 29 60

FAX +33 (0) 1 64 76 29 99