



# PARTS CATALOG

Model  
**EX30**

Engine Model  
EX300DH5044

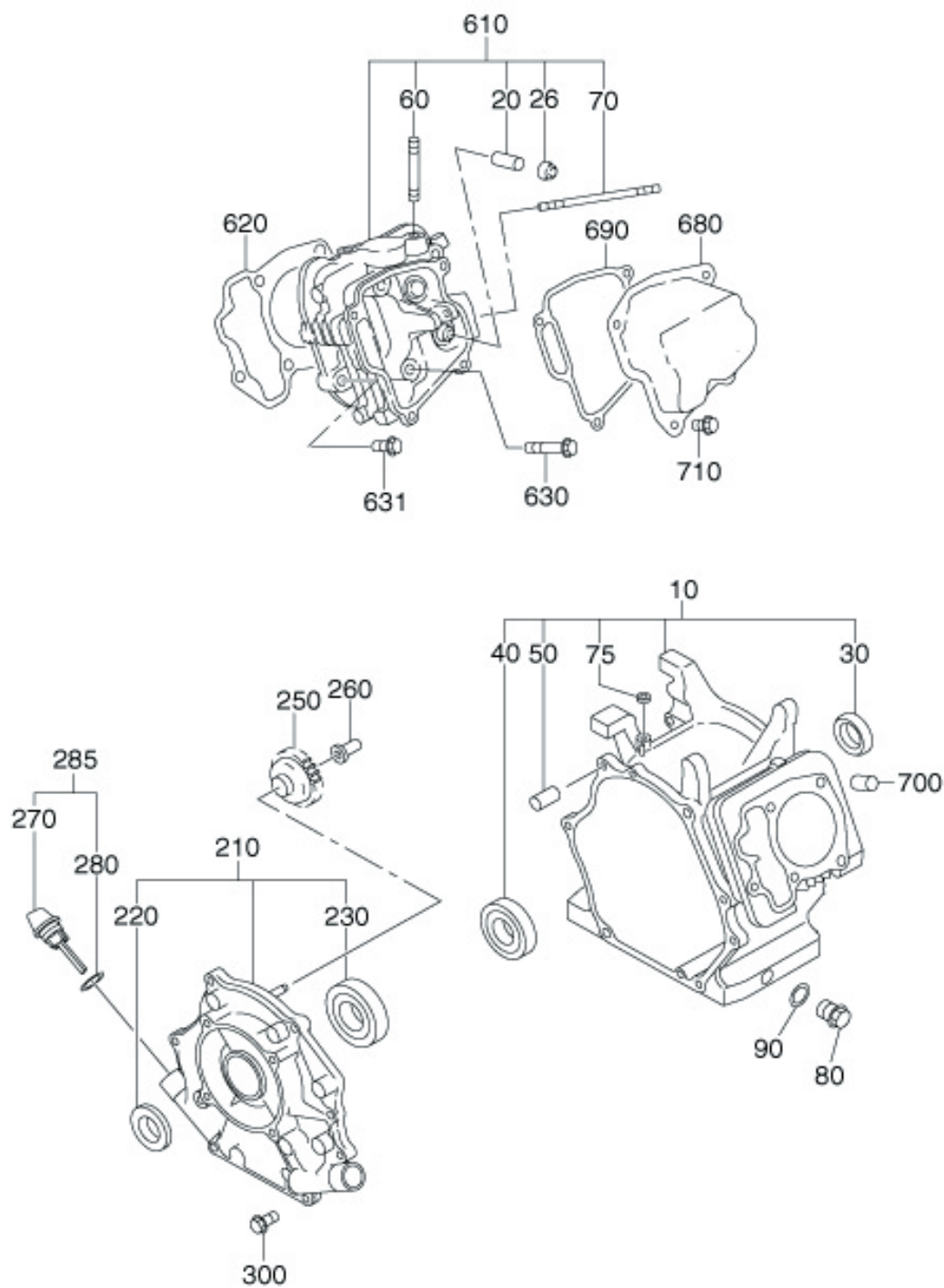
13-09-2021



## GROUP INDEX

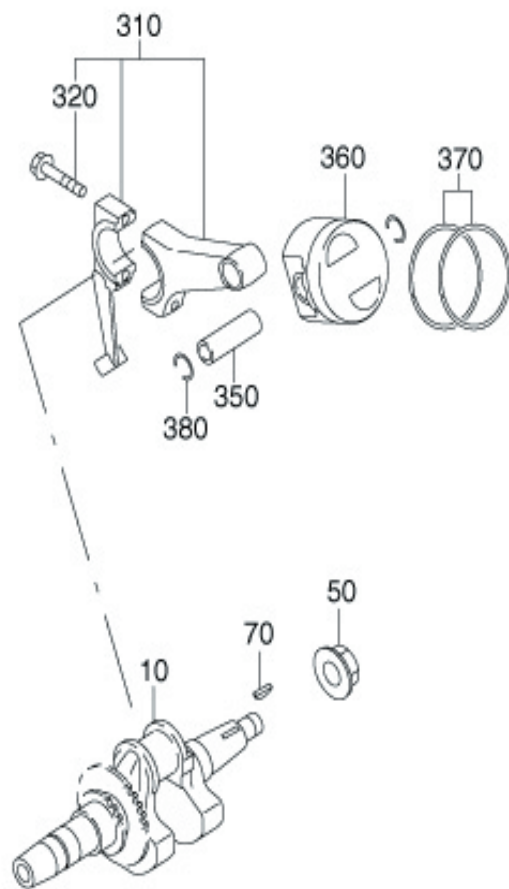
Group Name	Page
CRANKCASE GROUP .....	4
CRANKSHAFT GROUP .....	6
INTAKE and EXHAUST GROUP.....	8
GOVERNOR GROUP .....	12
COOLING and STARTING GROUP .....	14
FUEL, LUBRICATION GROUP .....	18
ELECTRIC DEVICE GROUP .....	20
ACCESSORY GROUP .....	24

INDEX OF DESCRIPTION SYMBOLS			
SYMBOL	DESCRIPTION	SYMBOL	DESCRIPTION
AY	ASSEMBLY	P=	PITCH (in mm)
CP	COMPLETE	P.T.O. (PTO)	POWER TAKE OFF
EX	EXPORT (from Japan)	REF.	REFERENCE
FIG.	FIGURE	R.H. (RH)	RIGHT HAND SIDE
FR.	FRONT	RR.	REAR
"	INCH	STD.	STANDARD
INCL.	INCLUDE	SW	SWITCH
~L	LITER	T=	THICKNESS (in mm)
L=	LENGTH (in. mm)	UN	UNIT
L.H. (LH)	LEFT-HAND SIDE	U.S.	UNDER SIZE
MECH	MECHANICAL	~V	VOLTAGE
NO (NON)	NONE	~W	WATT
OPT	OPTIONAL	W/	WITH
O.S.	OVER SIZE	W/O	WITHOUT

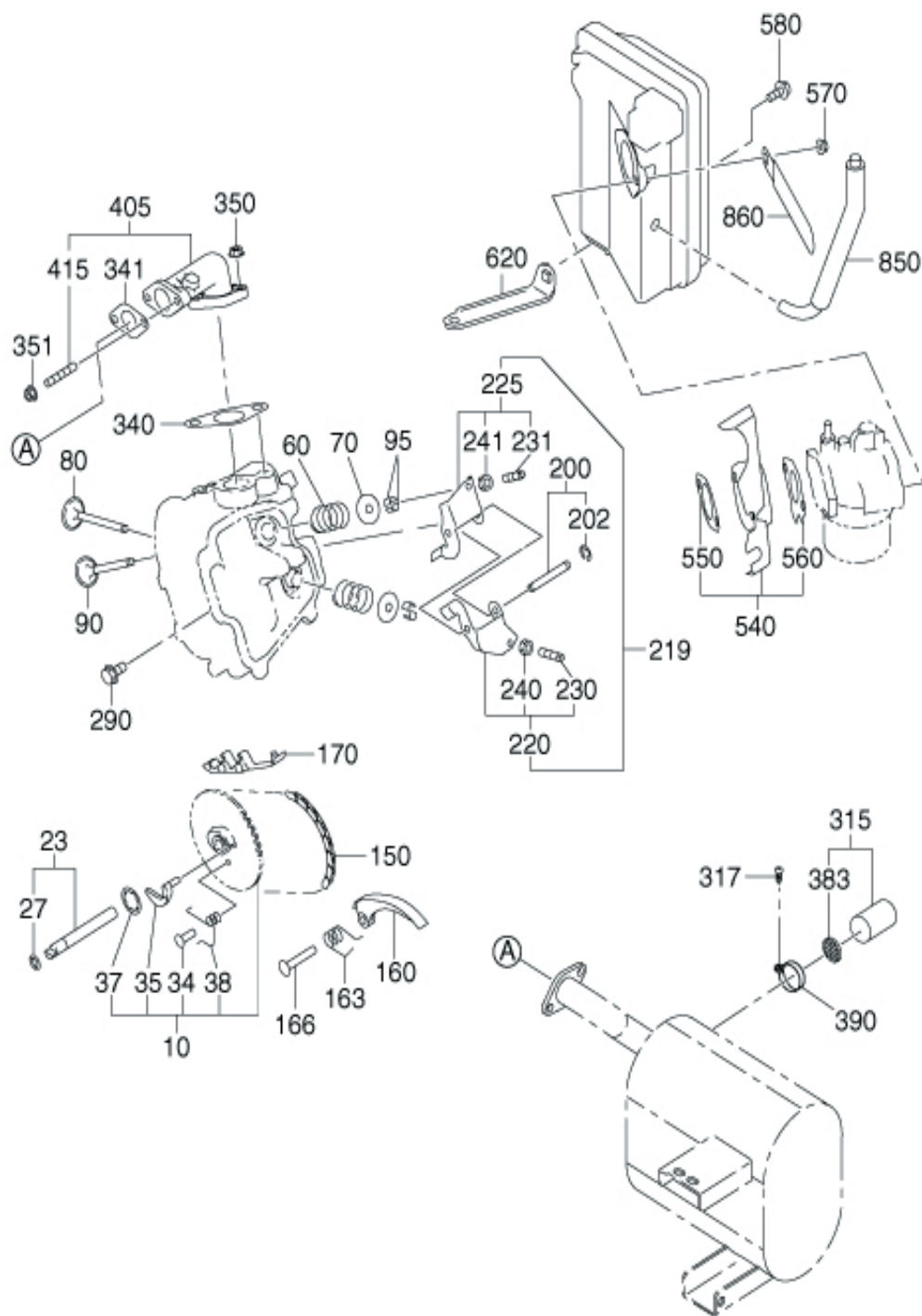


960- GASKET SET



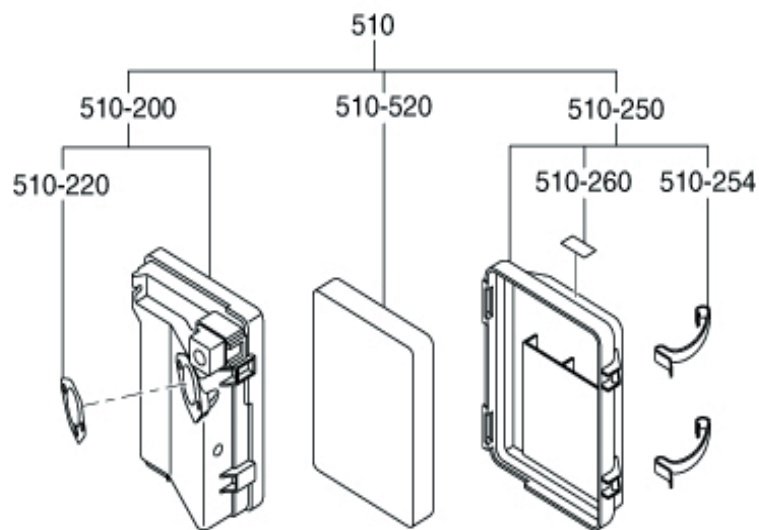




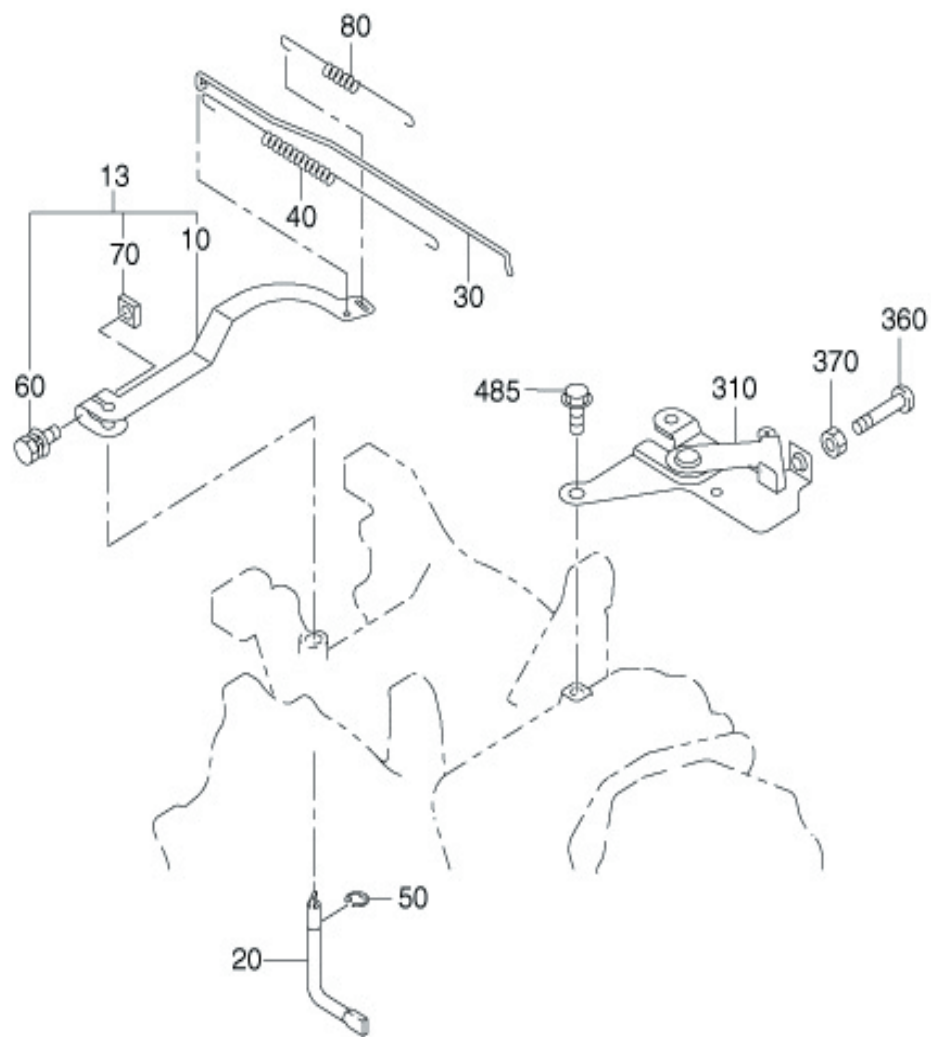




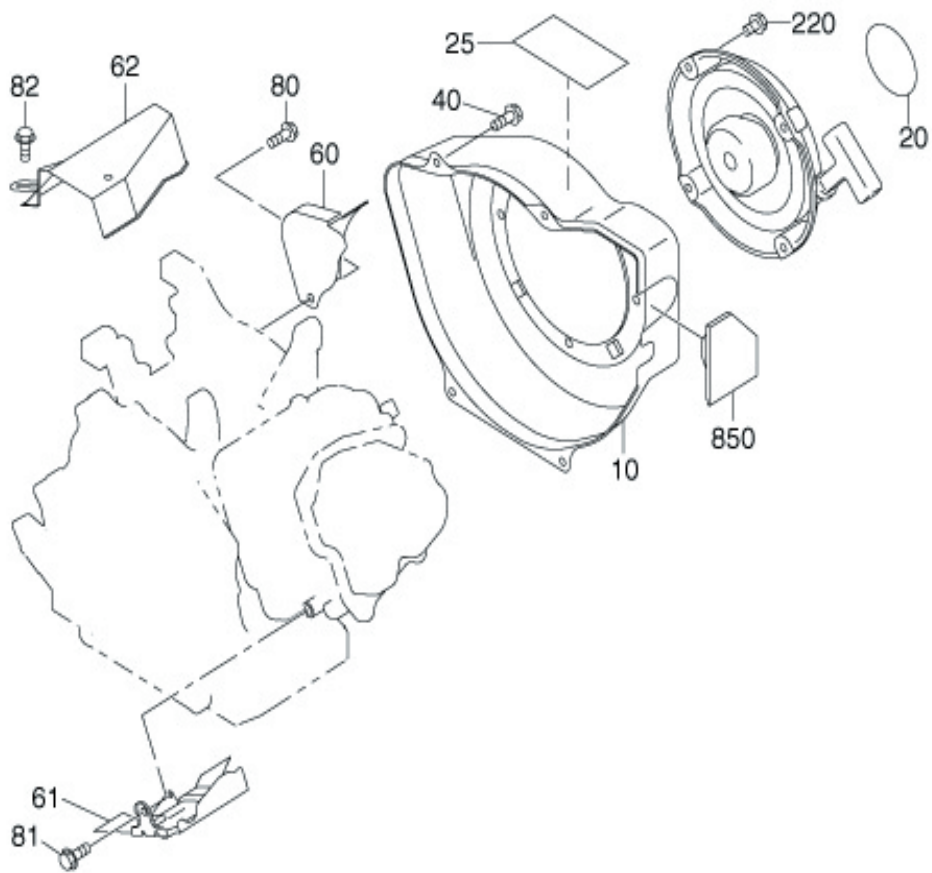




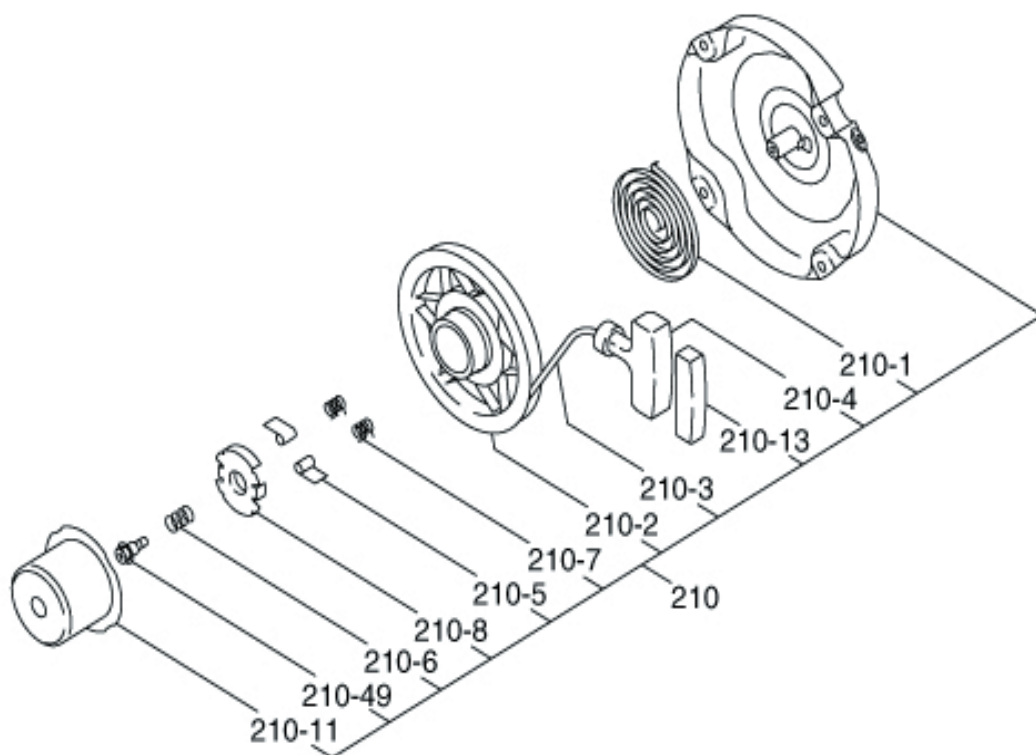




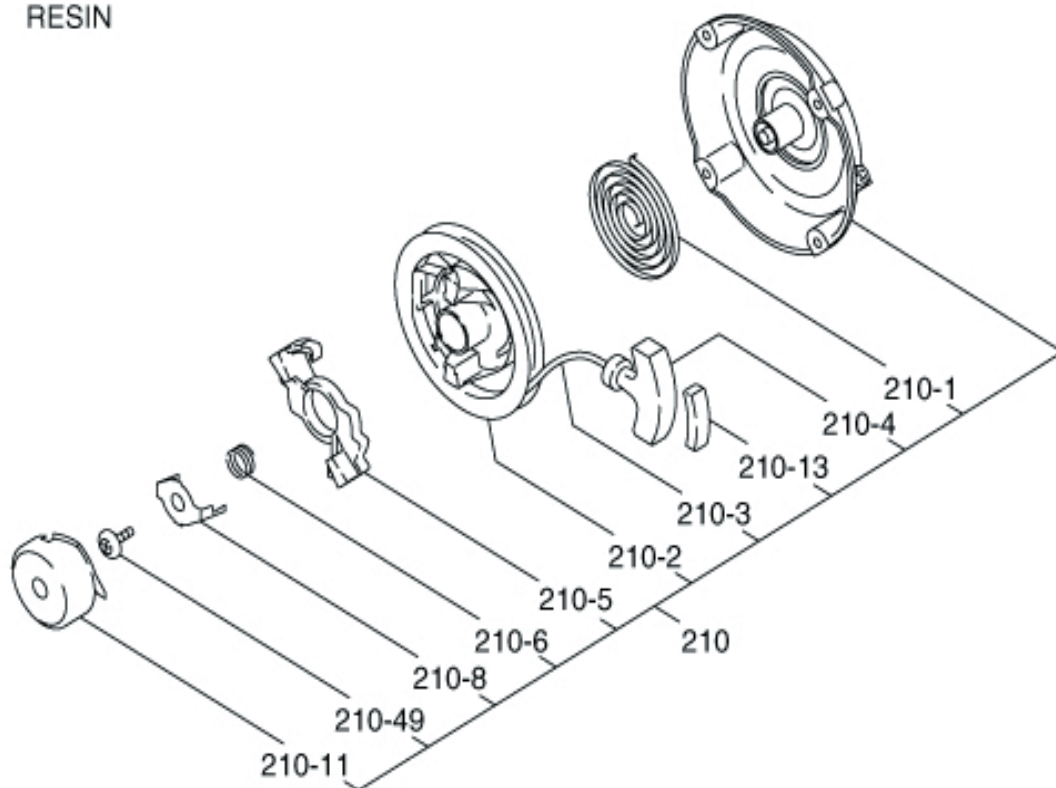






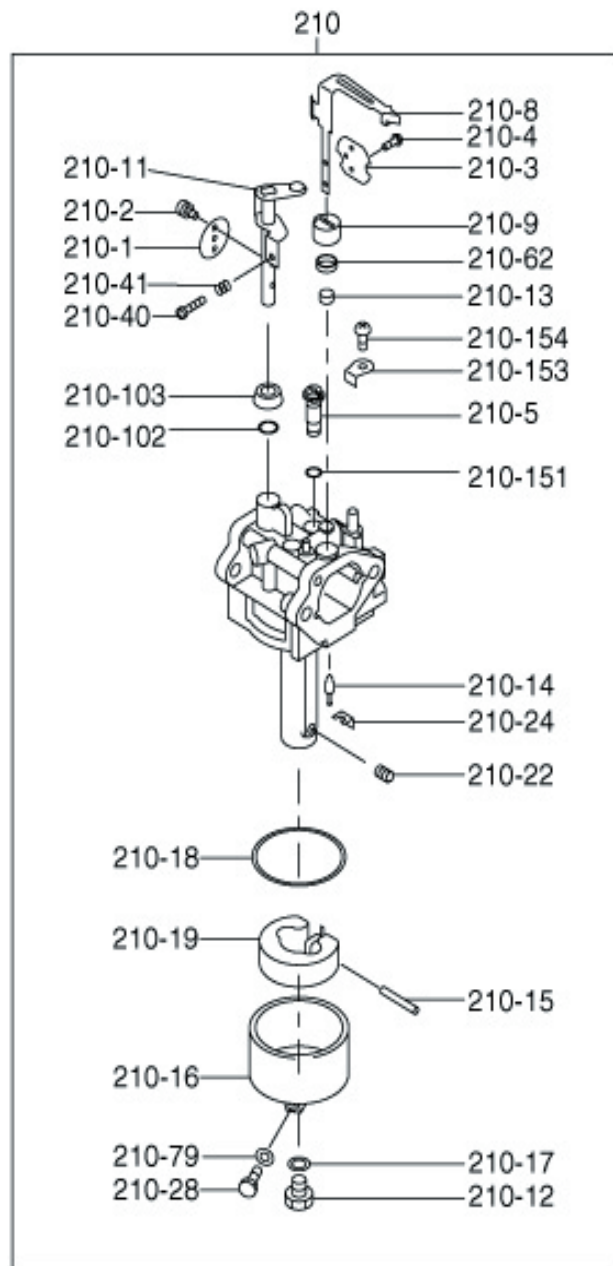


RESIN

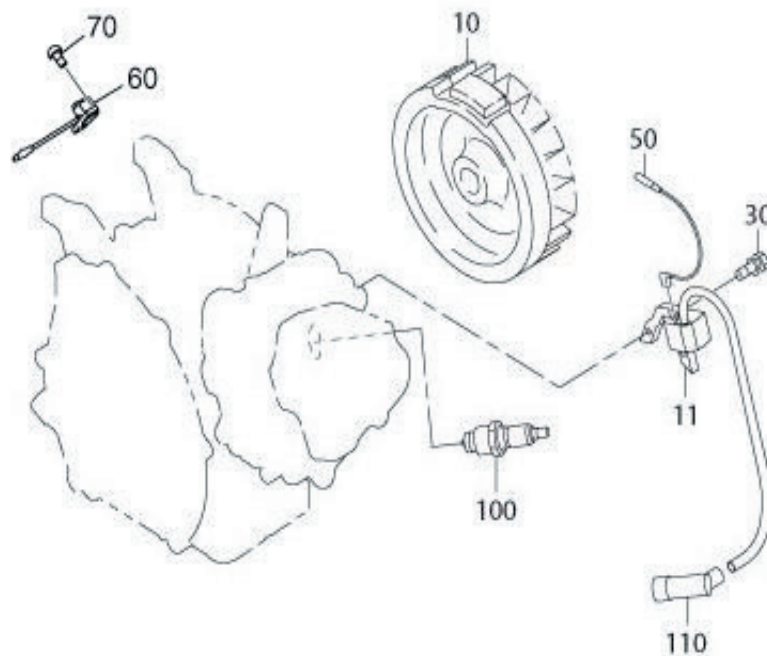




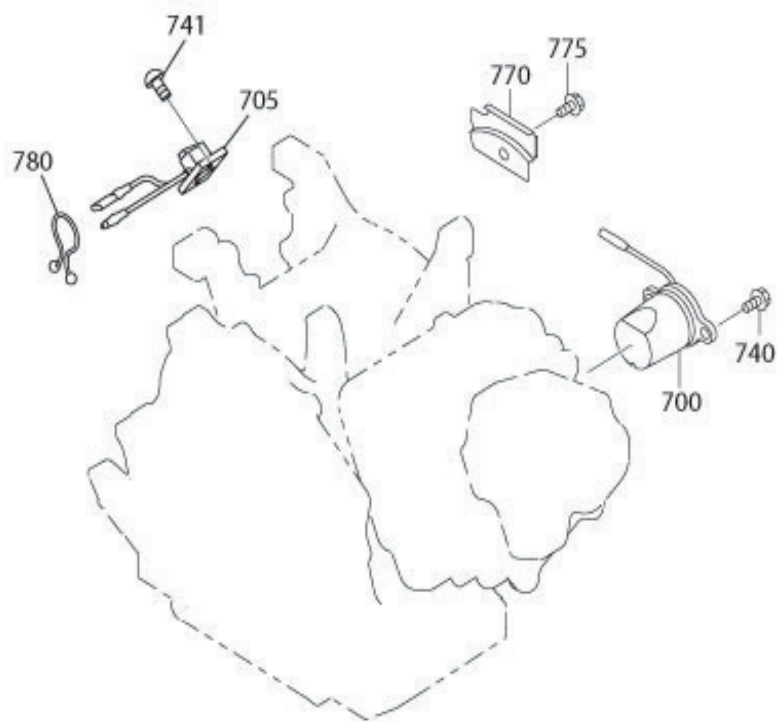




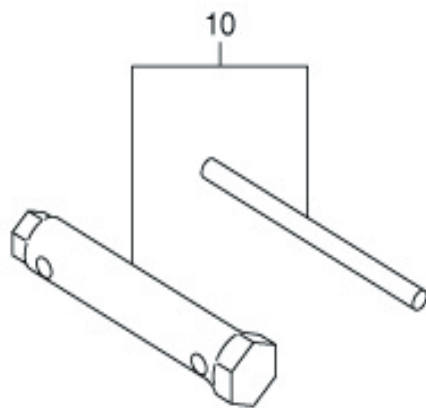
















[www.wormsentreprises.com](http://www.wormsentreprises.com)



**Siège social / Head Office**

ZAC de Lamirault

39 rue de Lamirault, 77090 Collégien, FRANCE

TEL. +33 (0) 1 64 76 29 50

FAX +33 (0) 1 64 76 29 99

**Services commercial et Pièces de rechange**

*Sales and Spare Parts Departments*

TEL. +33 (0) 1 64 76 29 60

FAX +33 (0) 1 64 76 29 99