



PARTS CATALOG

Model
EX30

Engine Model
EX300DK1070

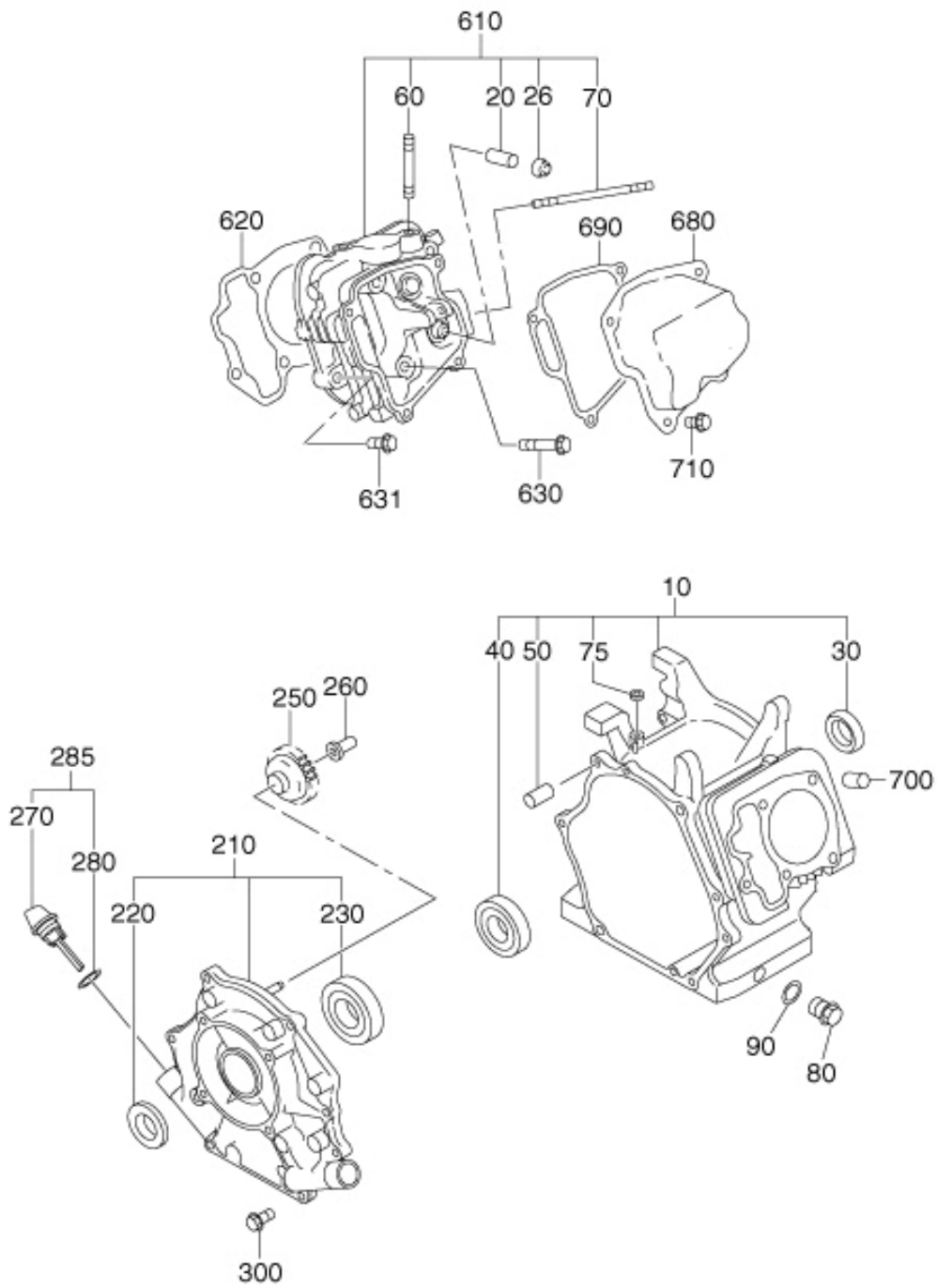
14-09-2021



GROUP INDEX

Group Name	Page
CRANKCASE GROUP	4
CRANKSHAFT GROUP	6
INTAKE and EXHAUST GROUP.....	8
GOVERNOR GROUP	12
COOLING and STARTING GROUP	14
FUEL, LUBRICATION GROUP	18
ELECTRIC DEVICE GROUP	20
ACCESSORY GROUP	24

INDEX OF DESCRIPTION SYMBOLS			
SYMBOL	DESCRIPTION	SYMBOL	DESCRIPTION
AY	ASSEMBLY	P=	PITCH (in mm)
CP	COMPLETE	P.T.O. (PTO)	POWER TAKE OFF
EX	EXPORT (from Japan)	REF.	REFERENCE
FIG.	FIGURE	R.H. (RH)	RIGHT HAND SIDE
FR.	FRONT	RR.	REAR
"	INCH	STD.	STANDARD
INCL.	INCLUDE	SW	SWITCH
~L	LITER	T=	THICKNESS (in mm)
L=	LENGTH (in. mm)	UN	UNIT
L.H. (LH)	LEFT-HAND SIDE	U.S.	UNDER SIZE
MECH	MECHANICAL	~V	VOLTAGE
NO (NON)	NONE	~W	WATT
OPT	OPTIONAL	W/	WITH
O.S.	OVER SIZE	W/O	WITHOUT

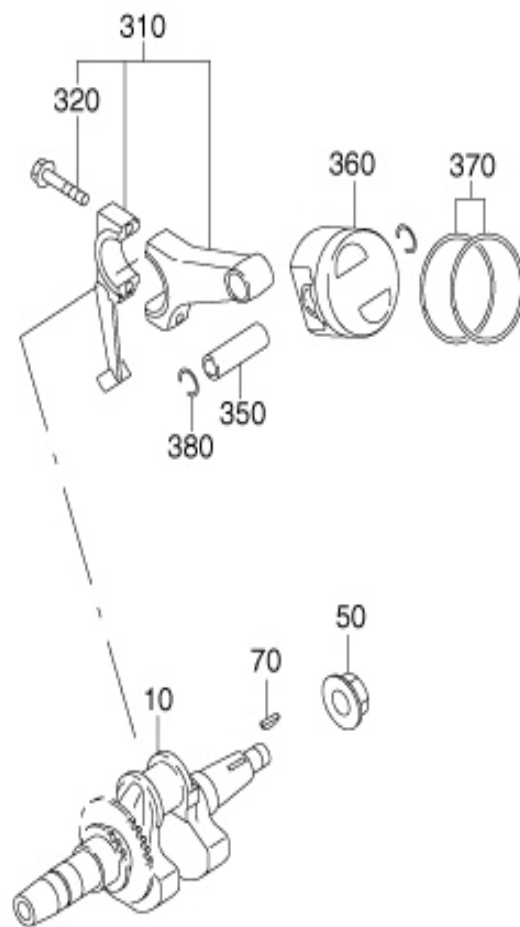


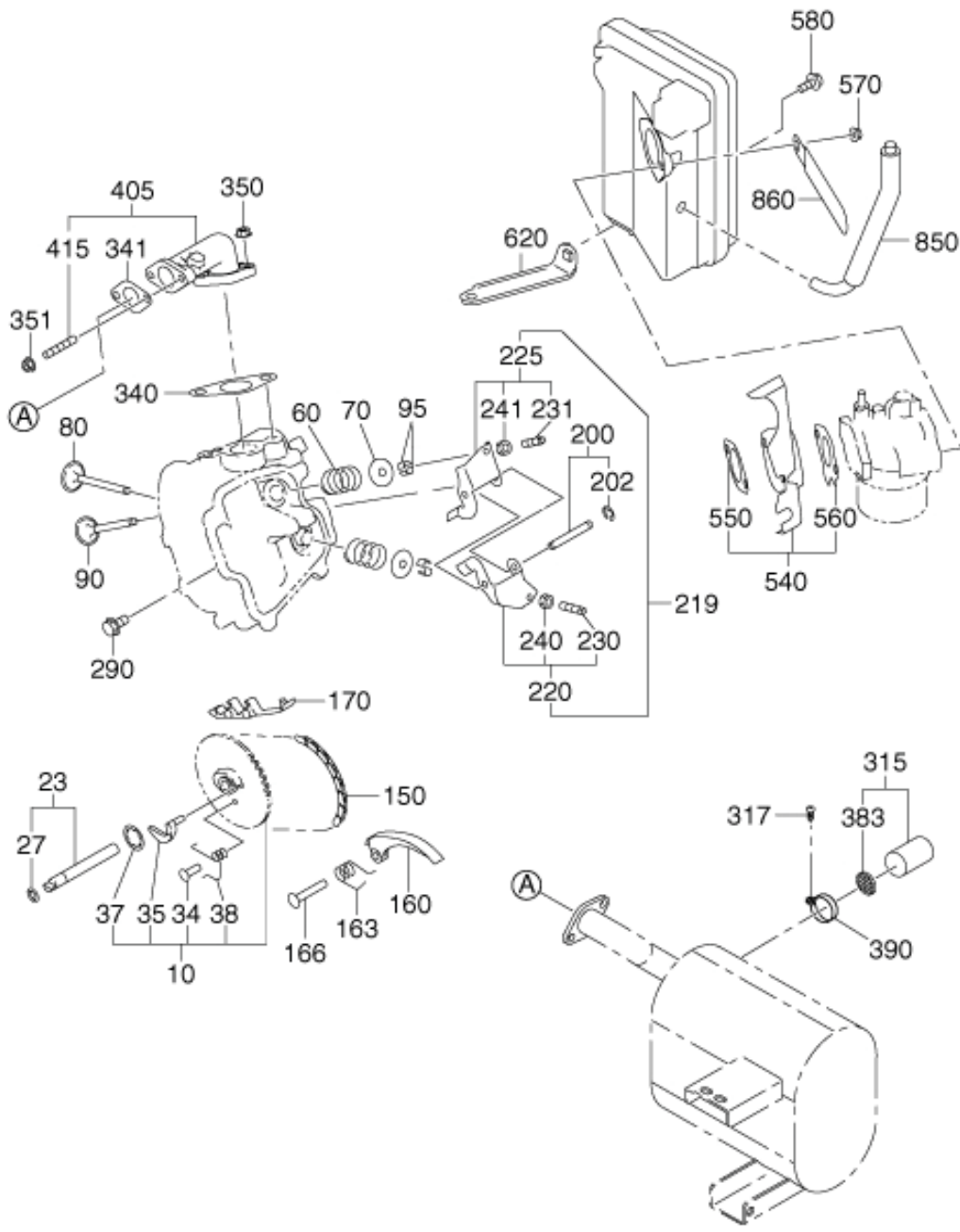
960- GASKET SET

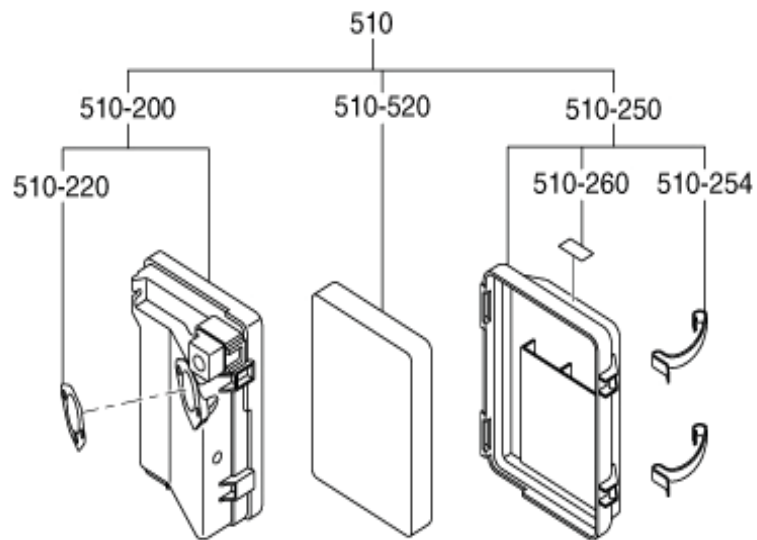
FIG. 100

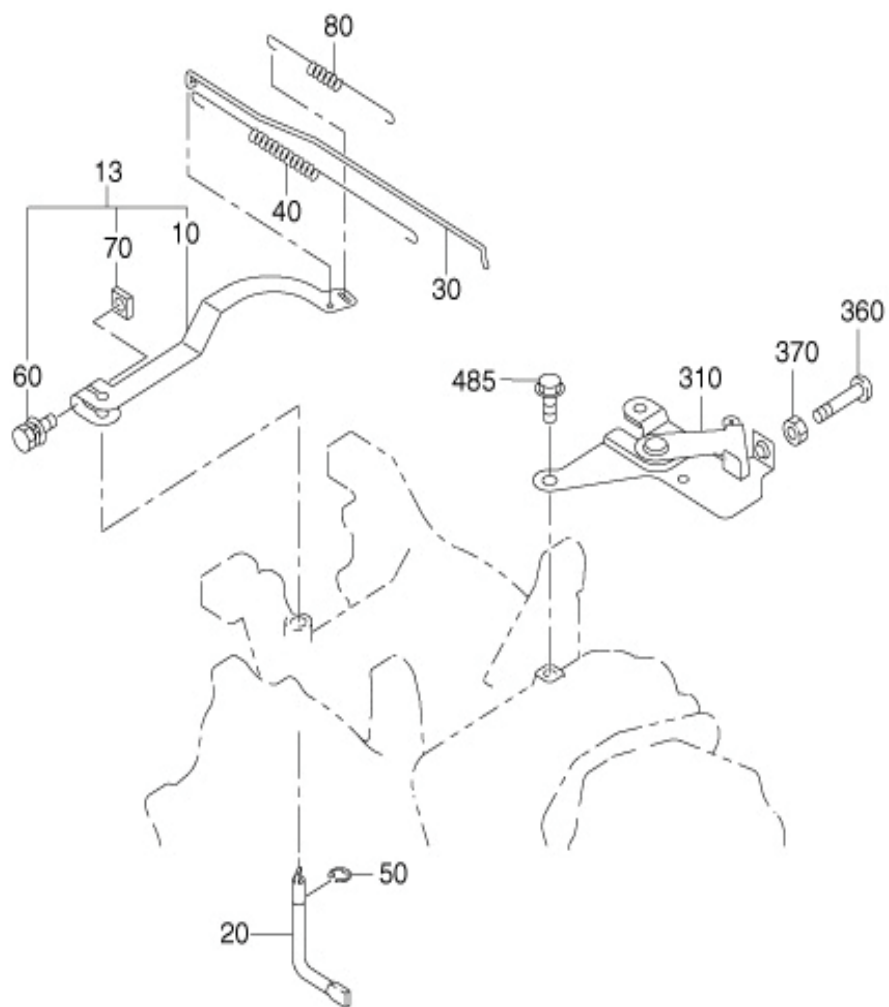
CRANKCASE GROUP

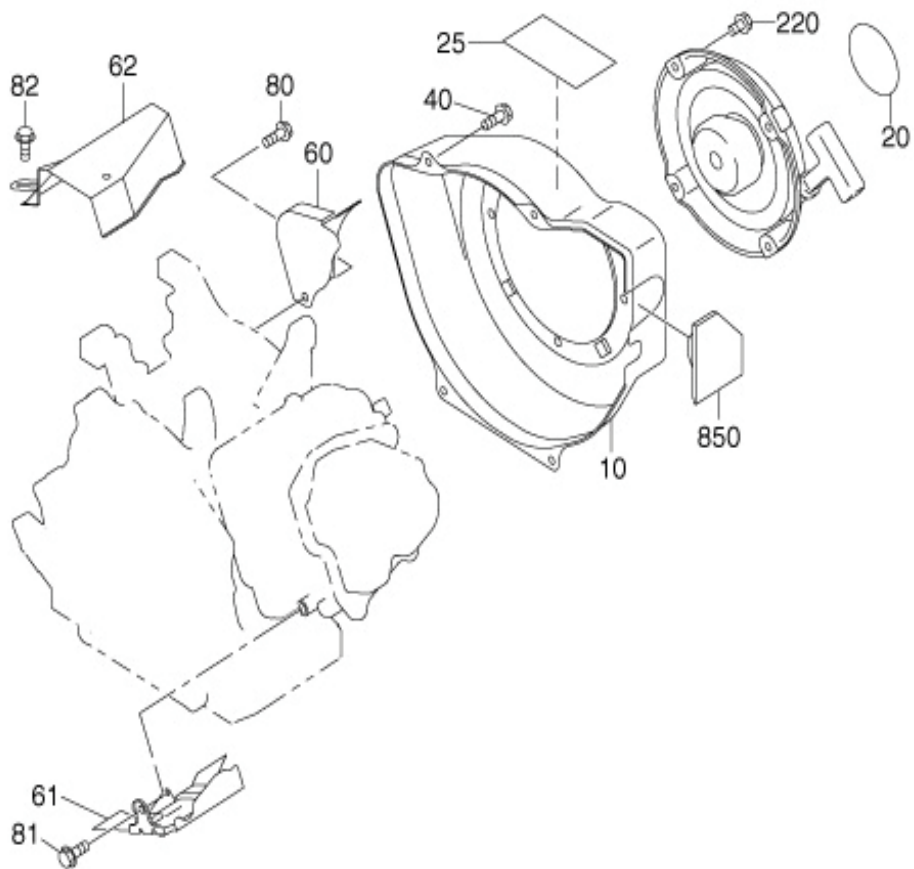
REF.	PART NUMBER	PART NAME	QTY.	REMARKS
10	22E1010601	CRANK CASE CP	1	O/S
20	20A1420103	VALVE GUIDE	2	
26	20A1601001	STEM SEAL	1	
30	22E0480100	OIL SEAL	1	
40	22E0610100	BALL BEARING	1	
50	20A1501103	PIPE KNOCK	2	
60	20A0161300	STUD	2	
70	22E0160100	STUD	2	
75	20A0480200	OIL SEAL	1	
80	20A0410100	PLUG	2	
90	20A0220100	GASKET	2	
210	22E1100201	MAIN BEARING COVER CP	1	SAE
220	22E0480100	OIL SEAL	1	
230	22E0610100	BALL BEARING	1	
250	20A4500401	GOVERNOR GEAR CP	1	
260	20A4190103	GOVERNOR SLEEVE	1	
270	22E6360103	OIL GAUGE	2	
280	22E0230100	GASKET	2	
285	22E6360100	OIL GAUGE AY	2	
300	20A0110100	FLANGE BOLT	7	
610	22E1300201	CYLINDER HEAD CP	1	
620	22F1500103	GASKET (HEAD)	1	EX30
630	20A0110200	FLANGE BOLT	4	
631	20A0110300	FLANGE BOLT	1	
680	20A1550501	ROCKER COVER CP	1	
690	20A1600113	GASKET(ROCKER COVER)	1	
700	20A1501103	PIPE KNOCK	2	
710	20A0111100	FLANGE BOLT	4	
960	22F9900147	GASKET SET	1	

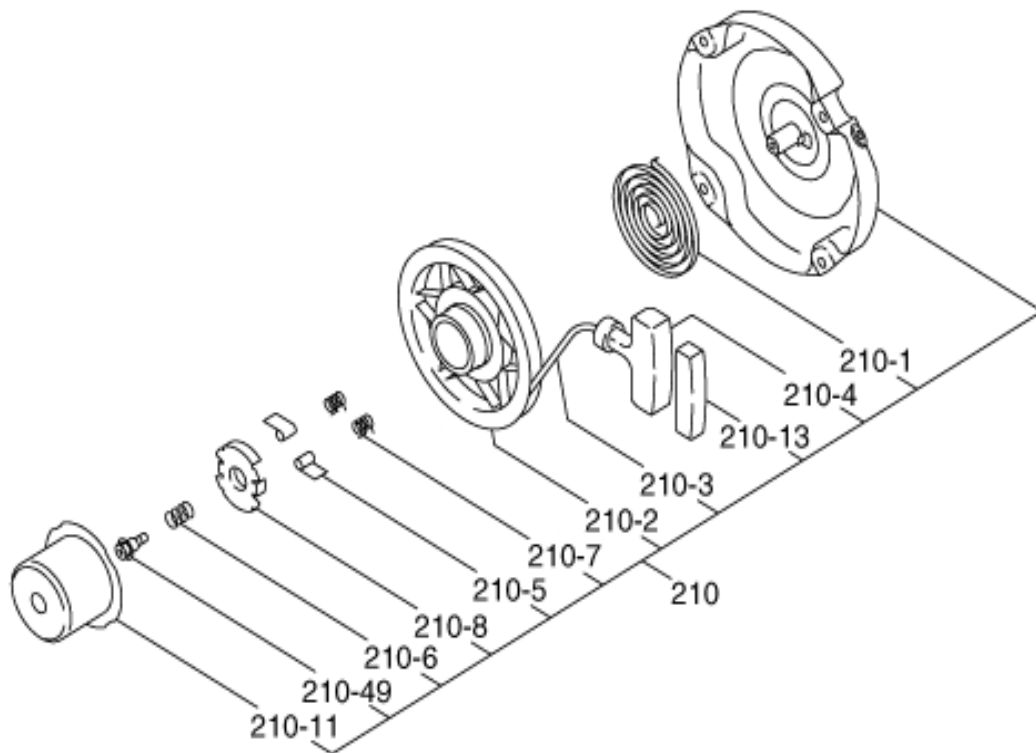




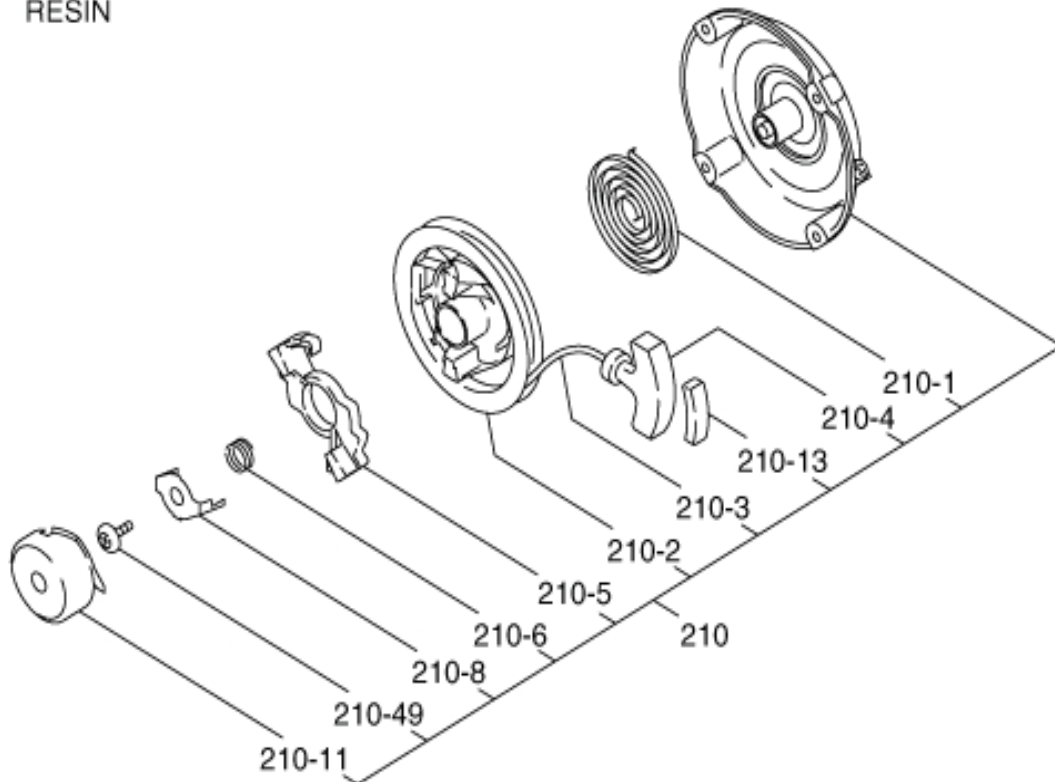


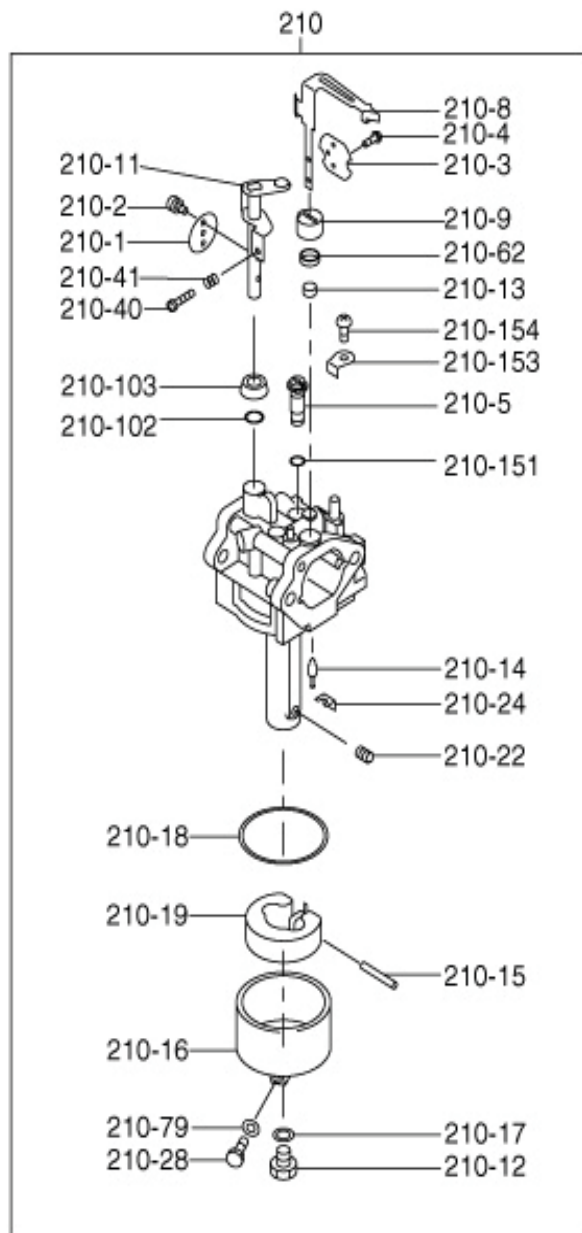


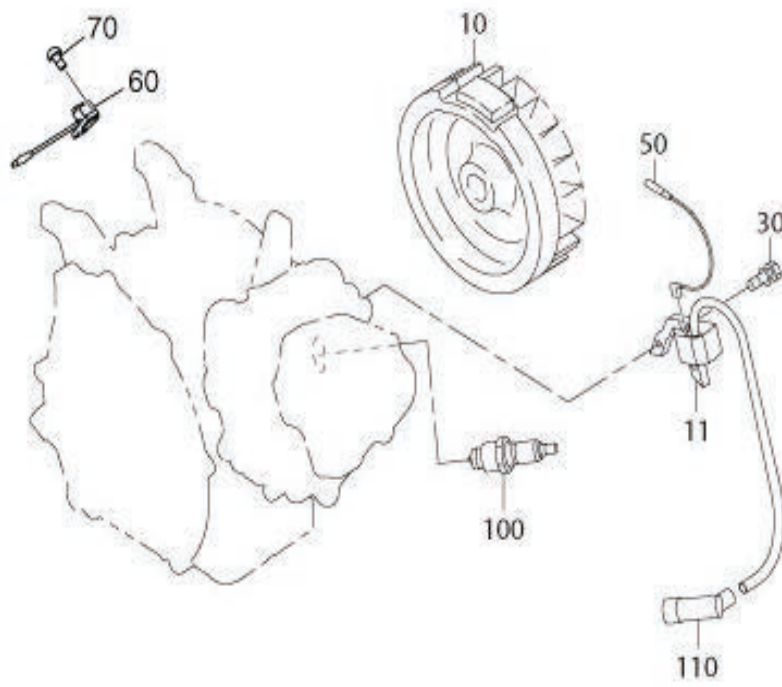


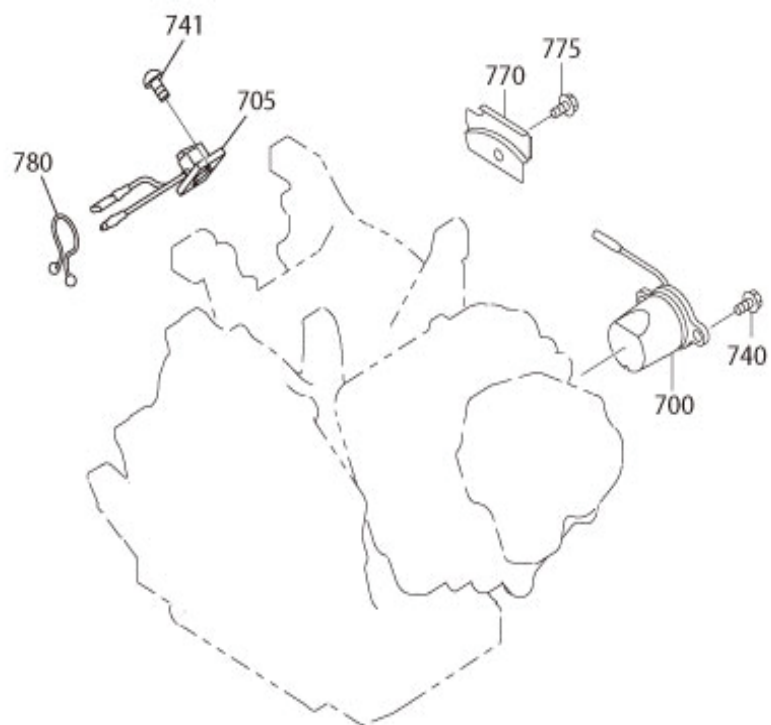


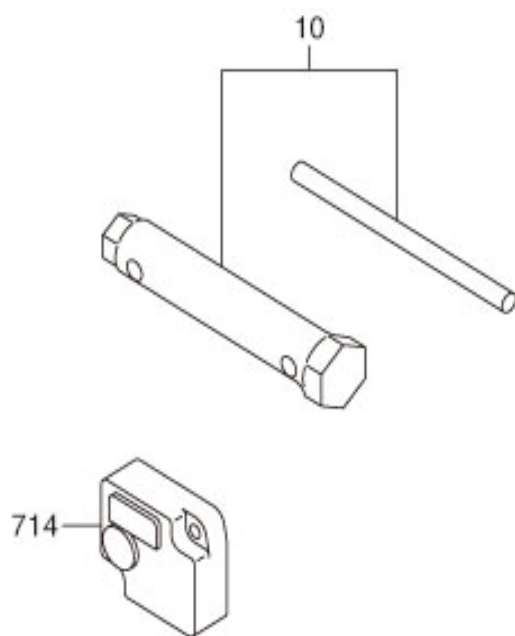
RESIN











www.wormsentreprises.com



Siège social / Head Office

ZAC de Lamirault

39 rue de Lamirault, 77090 Collégien, FRANCE

TEL. +33 (0) 1 64 76 29 50

FAX +33 (0) 1 64 76 29 99

Services commercial et Pièces de rechange

Sales and Spare Parts Departments

TEL. +33 (0) 1 64 76 29 60

FAX +33 (0) 1 64 76 29 99