



WORMS
E N T R E P R I S E S

PARTS CATALOG

Model
EX40

Engine Model
EX400DSK211

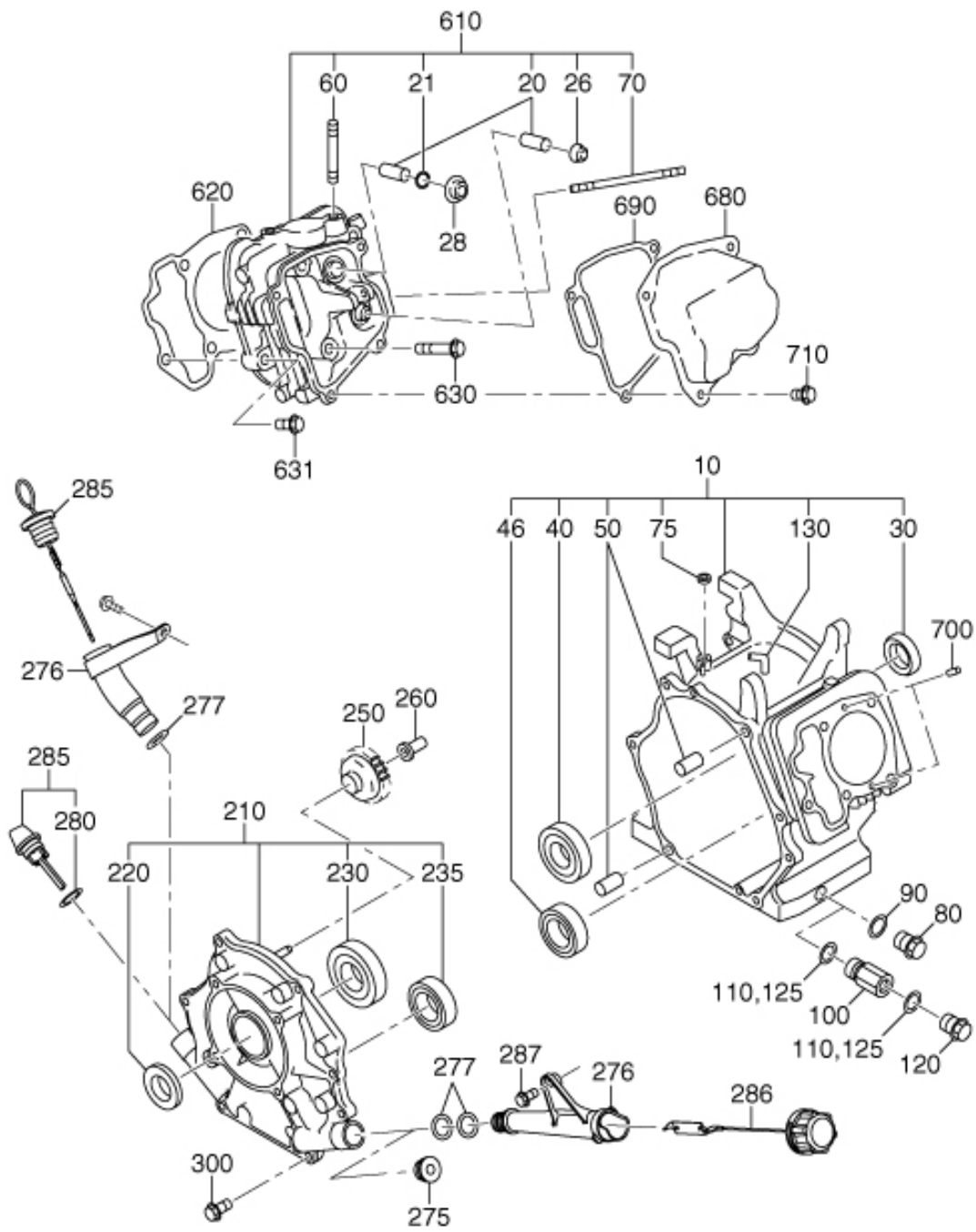
17-08-2021



GROUP INDEX

	Group Name	Page
FIG. 100	CRANKCASE GROUP	4
FIG. 200	CRANKSHAFT GROUP	6
FIG. 300	INTAKE and EXHAUST GROUP	8
FIG. 310	INTAKE and EXHAUST GROUP	10
FIG. 400	GOVERNOR GROUP	12
FIG. 500	COOLING and STARTING GROUP	14
FIG. 600	FUEL, LUBRICATION GROUP	16
FIG. 640	CARBURETOR GROUP	18
FIG. 700	ELECTRIC DEVICE GROUP	20
FIG. 770	ELECTRIC DEVICE GROUP	22
FIG. 900	ACCESSORY GROUP	24

INDEX OF DESCRIPTION SYMBOLS			
SYMBOL	DESCRIPTION	SYMBOL	DESCRIPTION
AY	ASSEMBLY	P=	PITCH (in mm)
CP	COMPLETE	P.T.O. (PTO)	POWER TAKE OFF
EX	EXPORT (from Japan)	REF.	REFERENCE
FIG.	FIGURE	R.H. (RH)	RIGHT HAND SIDE
FR.	FRONT	RR.	REAR
"	INCH	STD.	STANDARD
INCL.	INCLUDE	SW	SWITCH
~L	LITER	T=	THICKNESS (in mm)
L=	LENGTH (in. mm)	UN	UNIT
L.H. (LH)	LEFT-HAND SIDE	U.S.	UNDER SIZE
MECH	MECHANICAL	~V	VOLTAGE
NO (NON)	NONE	~W	WATT
OPT.	OPTIONAL	W/	WITH
O.S.	OVER SIZE	W/O	WITHOUT



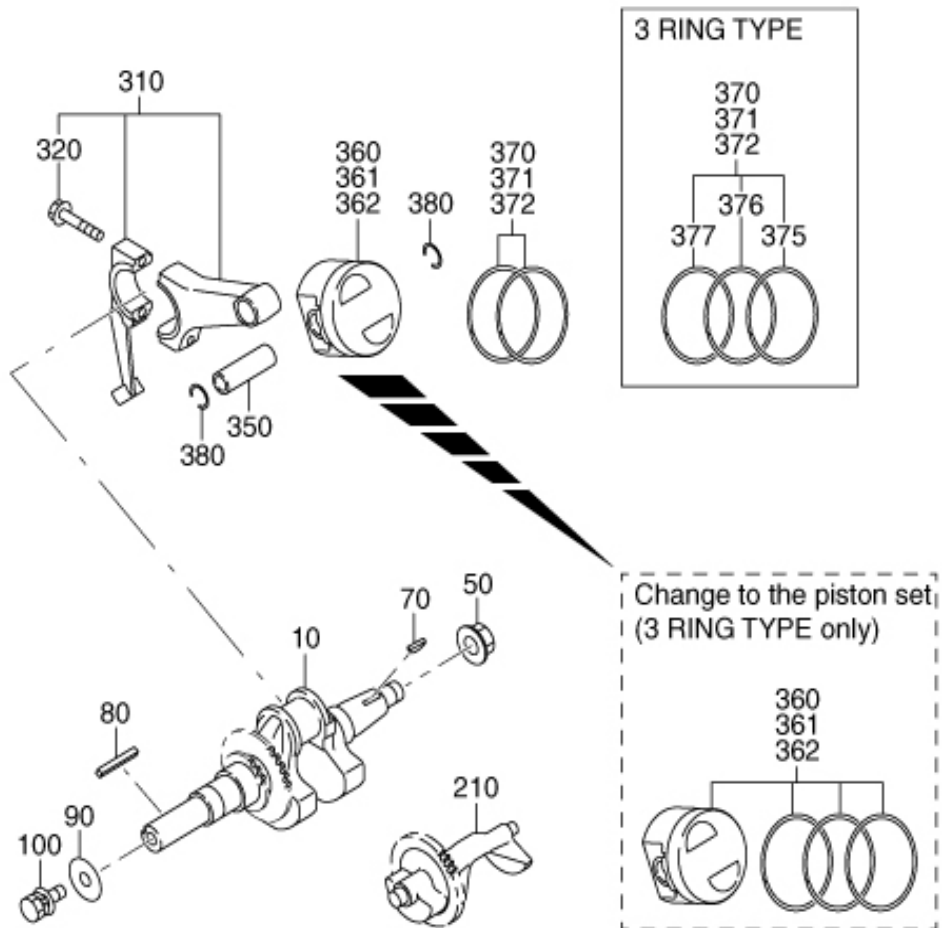
960- GASKET SET

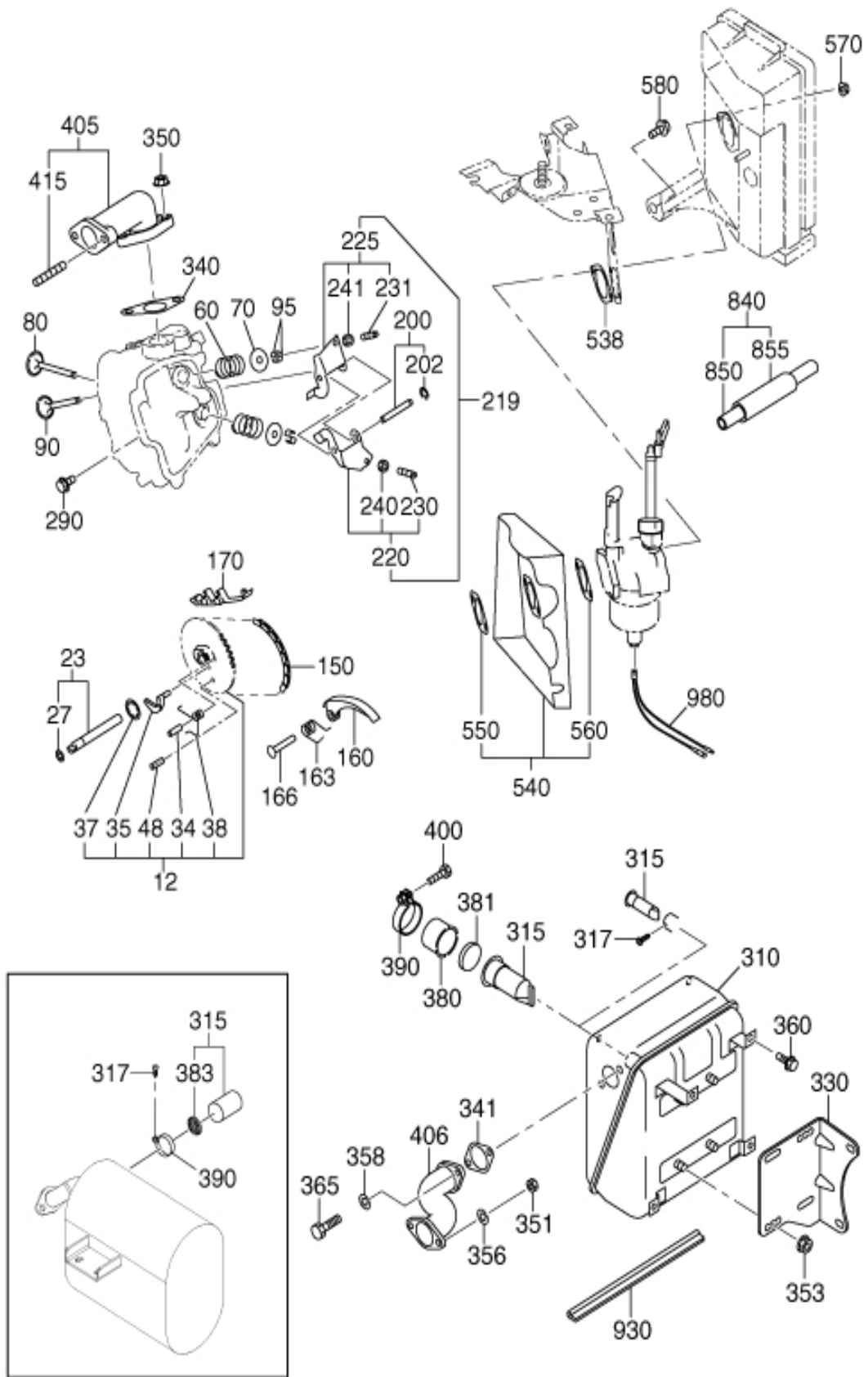
FIG. 100

CRANKCASE GROUP

REF.	PART NUMBER	PART NAME	QTY.	REMARKS
10	22G1010401	CRANKCASE CP	1	
26	22G1601001	STEM SEAL	1	
28	22G3534103	RETAINER PLATE	1	11DX17.3DX27DX4.7H
30	440350091	OIL SEAL	1	KD,35DX48DX8B
40	22G0610100	BALL BEARING	1	35DX72DX17B
50	20A1501103	PIPE KNOCK	2	
60	20A0161300	STUD	2	M8X11.5SX32L
70	20A0160100	STUD	2	M6X32SX98L
75	22G0480200	OIL SEAL	1	8DX14DX4B
80	20A0410100	OIL DRAIN PLUG	2	
90	20A0220100	GASKET 14	2	
210	22G1100501	MAINBEARING COVER CP	1	SAE-B
220	440350091	OIL SEAL	1	KD□35DX48DX8B
230	22G0610100	BALL BEARING	1	35DX72DX17B
250	22G4500301	GOVERNOR GEAR CP	1	
260	20A4190103	GOVERNOR SLEEVE	1	
280	22E0230100	GASKET	2	
285	22E6360100	OIL GAUGE AY	2	
300	22G0110100	FLANGE BOLT	8	M8X1.25X17DX38L
610	22G1300100	CYLINDER HEAD AY	1	
620	22G1500103	GASKET(HEAD)	1	T=0.2
630	22G0110200	FLANGE BOLT	4	M10X1.25X19DX75L
631	20A0110100	FLANGE BOLT	2	M8X1.25X16DX35L
680	22G1550101	ROCKER COVER CP	1	
690	22G1600103	GASKET(ROCKER COVER)	1	T=0.8
700	22G0310100	DOWEL PIN	2	6DX12L
710	20A0111100	FLANGE BOLT	4	M6X1.0X13DX12L

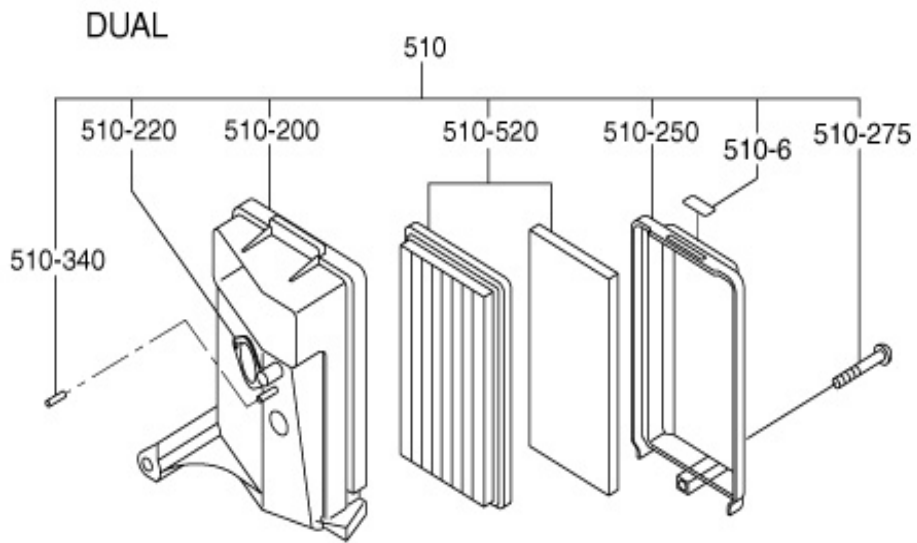




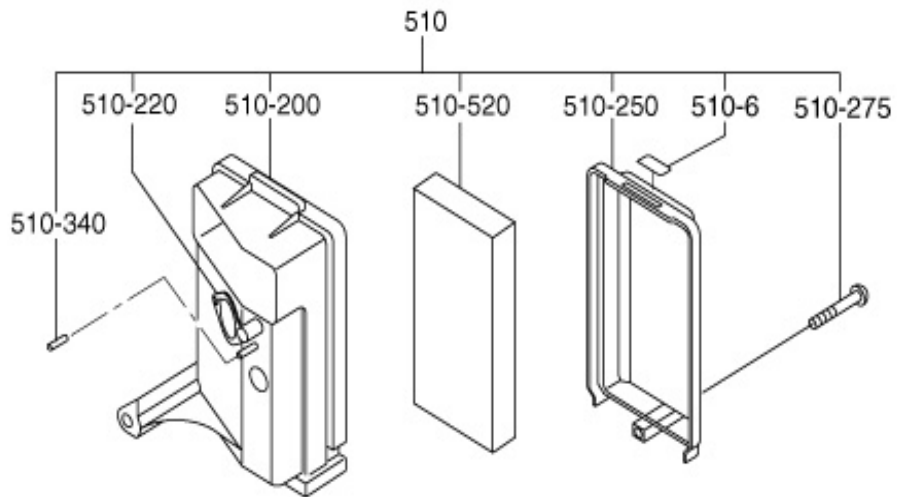


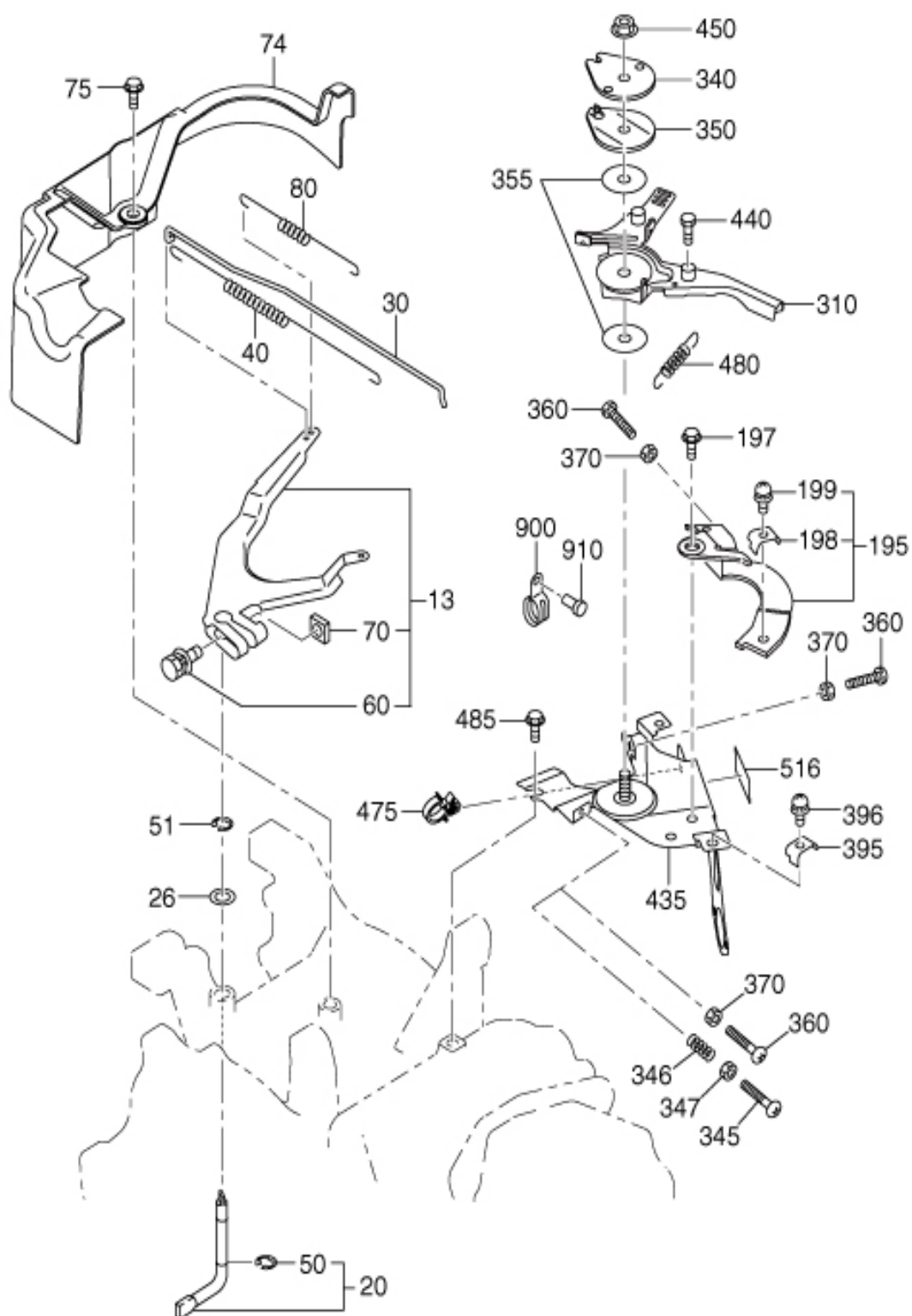
REF.	PART NUMBER	PART NAME	QTY.	REMARKS
12	22G3160100	CAMSHAFT AY	1	
23	22G3510101	PIN(CAM SHAFT)CP	1	
27	22G0280100	O-RING	1	
60	22G3361103	VALVE SPRING	2	22.2DX2.9DX37L N=6.5
80	22G3340203	INTAKE VALVE	1	
90	22G3350203	EXHAUST VALVE	1	
95	22G3550103	COLLET-VALVE	4	
150	22G3560101	TIMING CHAIN CP	1	112LINK
160	20A3691103	TENTIONER	1	
163	20A3710103	SPRING(TENTIONER)	1	10DX1.8DX14L N=4.5
166	20A3690203	PIN(TENTIONER)	1	6DX13DX34L
170	20A3691303	CHAIN GUIDE	1	
200	22G3500101	PIN(ROCKER)CP	1	
202	22G0320300	CLIP	1	6DX12DX0.8T
220	22G3610100	ROCKER ARM(IN) AY	1	
225	22G3610200	ROCKER ARM(EX) AY	1	
290	20A0111100	FLANGE BOLT	1	M6X1.0X13DX12L
340	22G3520103	GASKET(MUFFLER)	1	T=0.2
350	20A0185120	FLANGE NUT	2	M8X1.25X17DX7.5H
405	22G3400101	EXHAUST PIPE CP	1	
415	20A0161200	BOLT	2	M8X1.25X32L
538	22G3590303	GASKET 3	1	T=0.8
540	22G3290101	INSULATOR CP	1	
550	22G3590203	GASKET 2	1	T=0.5
560	22G3590103	GASKET 1	1	T=0.5
570	20A0185200	FLANGE NUT	2	M6X1.0X13DX6H
580	20A0111500	FLANGE BOLT	1	M6X1.0X13DX16L
620	22G5710101	COVER STAY(A/C)	1	
850	22G0810400	RUBBER PIPE	1	10DX15DX170L

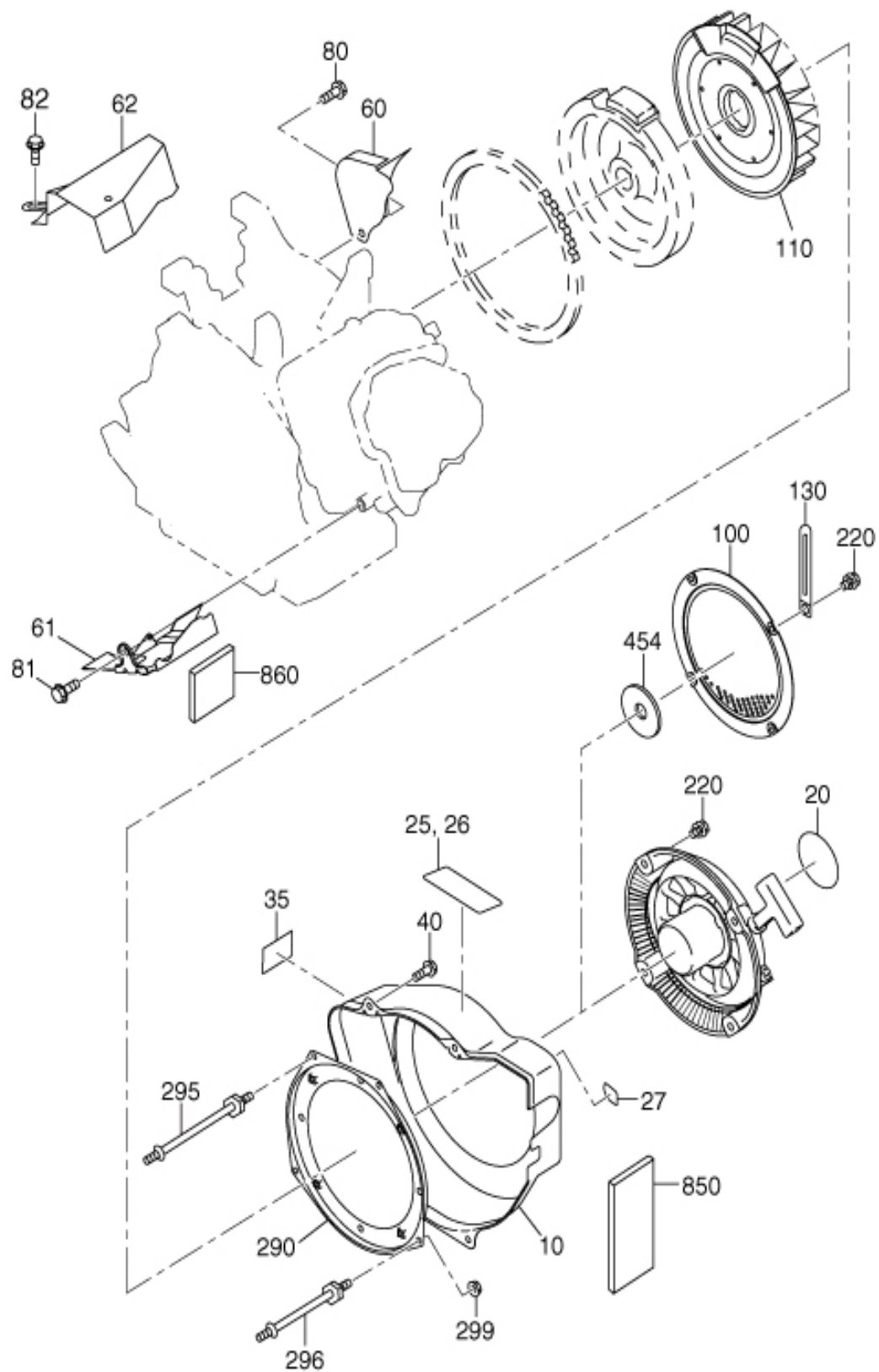


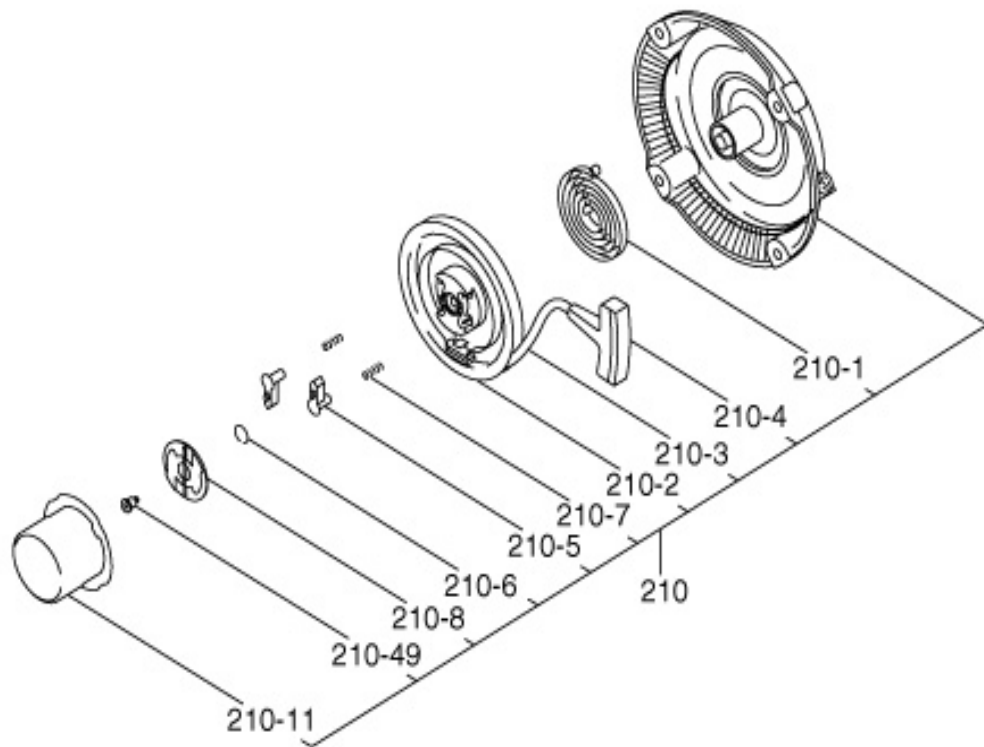


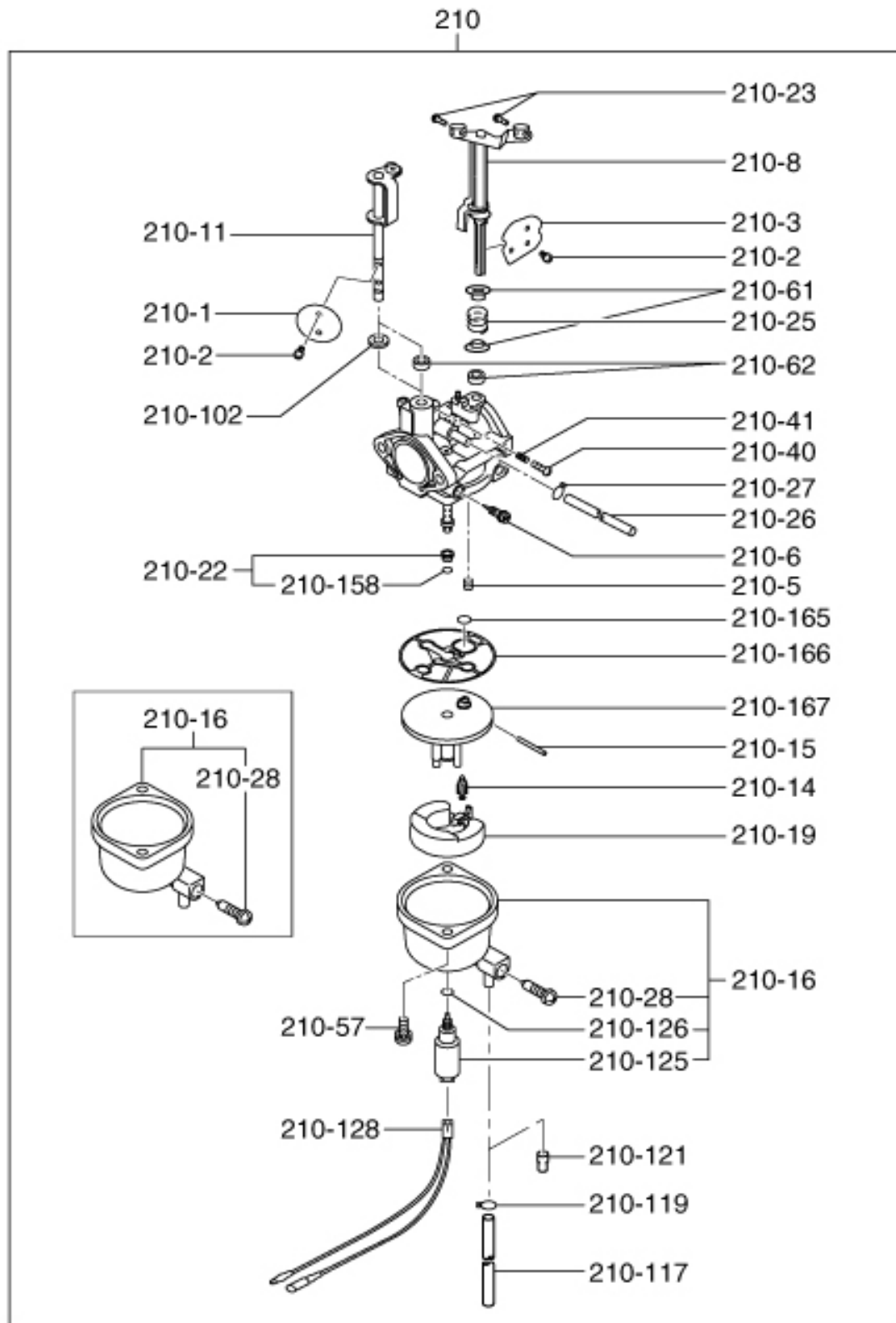
URETHANE

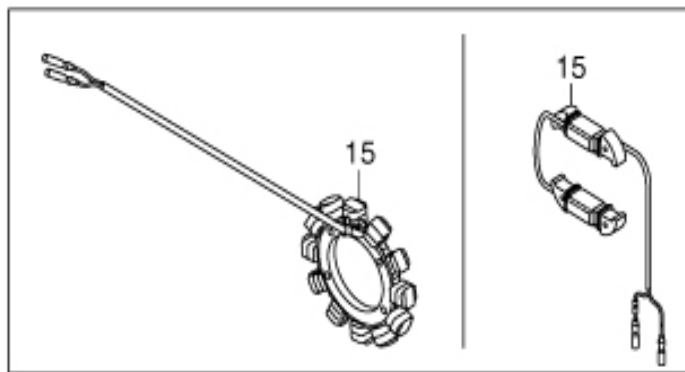
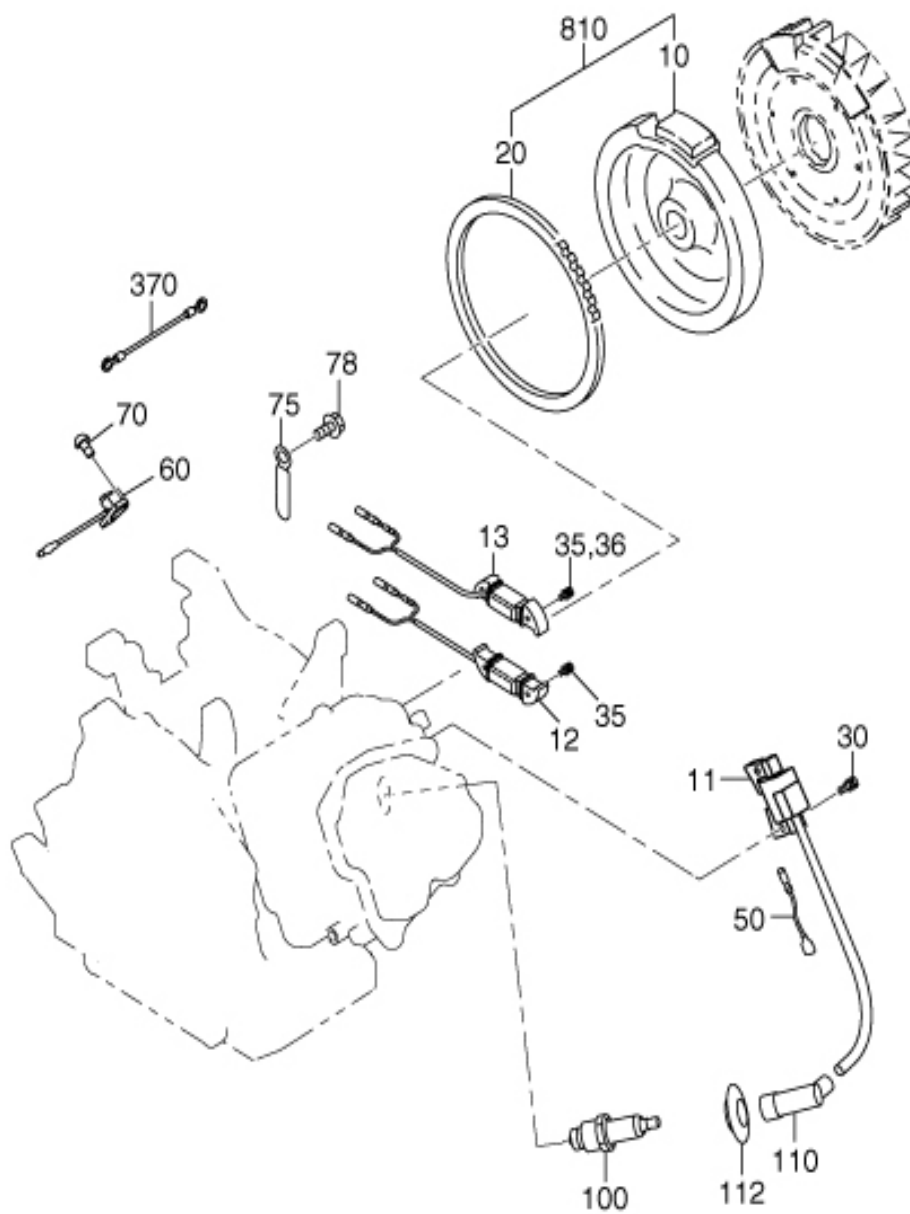


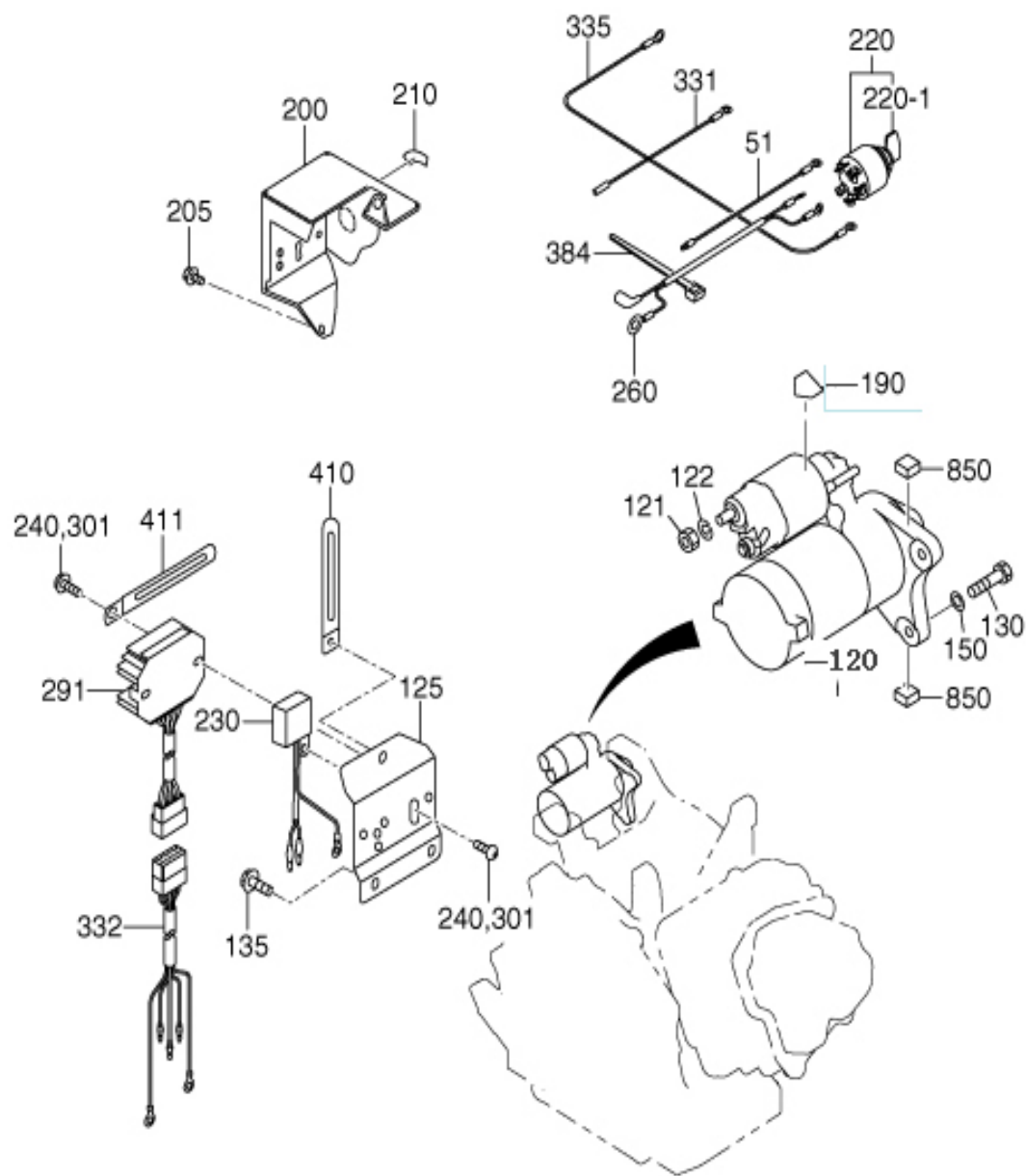


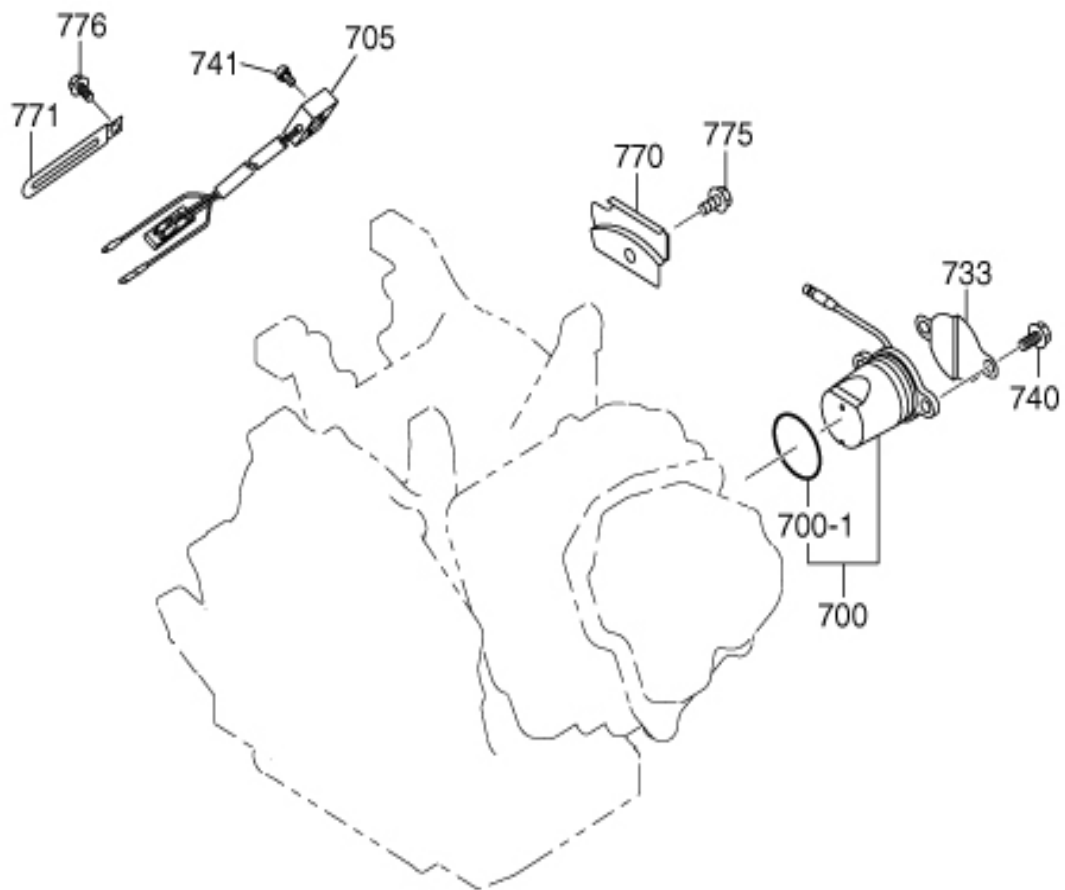


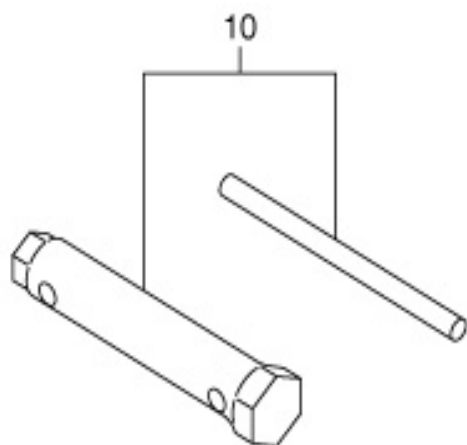












www.wormsentreprises.com



Siège social / Head Office

ZAC de Lamirault

39 rue de Lamirault, 77090 Collégien, FRANCE

TEL. +33 (0) 1 64 76 29 50

FAX +33 (0) 1 64 76 29 99

Services commercial et Pièces de rechange

Sales and Spare Parts Departments

TEL. +33 (0) 1 64 76 29 60

FAX +33 (0) 1 64 76 29 99