



# PARTS CATALOG

Model  
**EX40**

Engine Model  
EX400DSK520

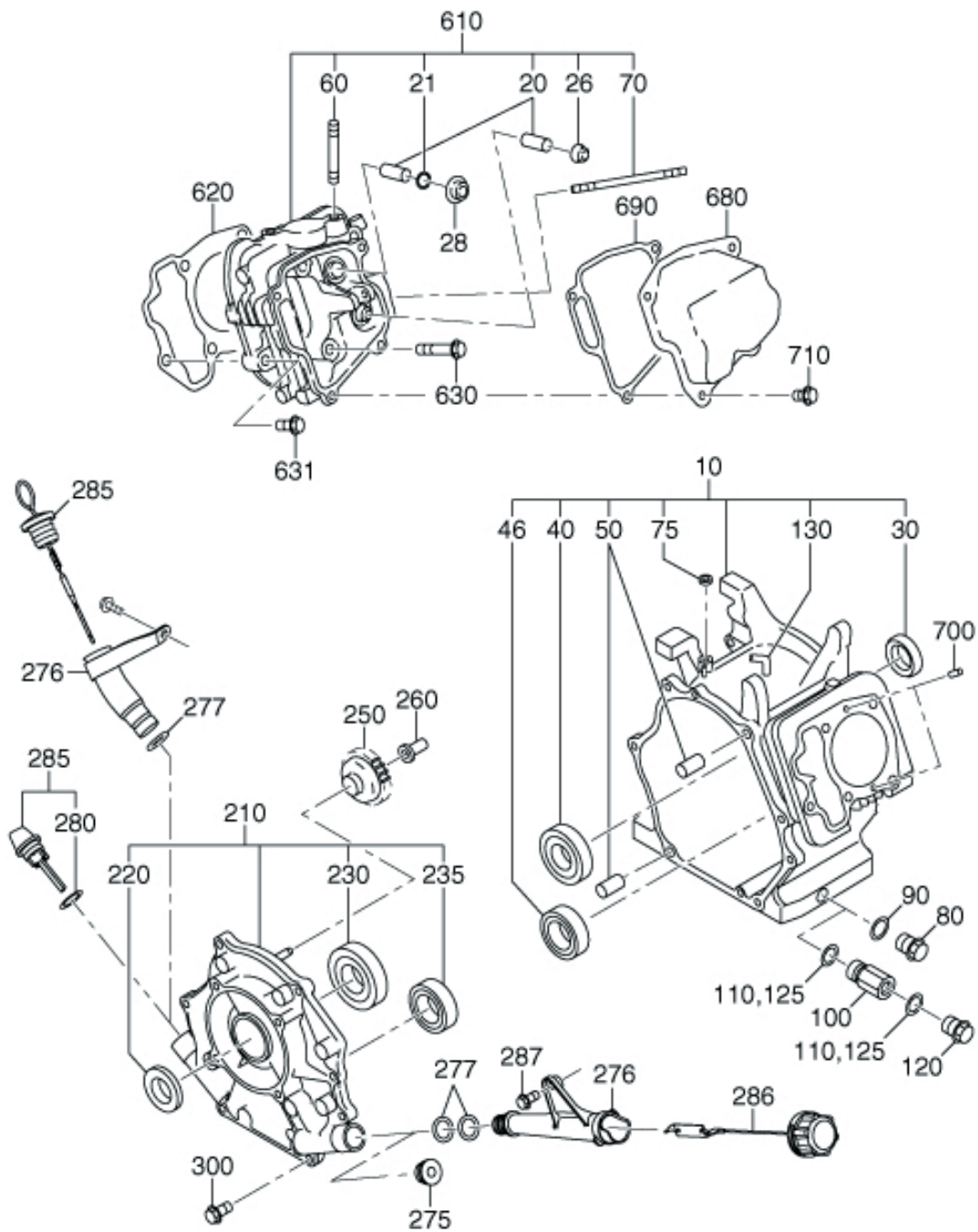
16-08-2021



## GROUP INDEX

	<b>Group Name</b> .....	<b>Page</b>
FIG. 100	CRANKCASE GROUP .....	4
FIG. 200	CRANKSHAFT GROUP .....	6
FIG. 300	INTAKE and EXHAUST GROUP .....	8
FIG. 310	INTAKE and EXHAUST GROUP .....	10
FIG. 400	GOVERNOR GROUP .....	12
FIG. 500	COOLING and STARTING GROUP .....	14
FIG. 600	FUEL, LUBRICATION GROUP .....	16
FIG. 640	CARBURETOR GROUP .....	18
FIG. 700	ELECTRIC DEVICE GROUP .....	20
FIG. 770	ELECTRIC DEVICE GROUP .....	22
FIG. 900	ACCESSORY GROUP .....	24

INDEX OF DESCRIPTION SYMBOLS			
SYMBOL	DESCRIPTION	SYMBOL	DESCRIPTION
AY	ASSEMBLY	P=	PITCH (in mm)
CP	COMPLETE	P.T.O. (PTO)	POWER TAKE OFF
EX	EXPORT (from Japan)	REF.	REFERENCE
FIG.	FIGURE	R.H. (RH)	RIGHT HAND SIDE
FR.	FRONT	RR.	REAR
"	INCH	STD.	STANDARD
INCL.	INCLUDE	SW	SWITCH
~L	LITER	T=	THICKNESS (in mm)
L=	LENGTH (in. mm)	UN	UNIT
L.H. (LH)	LEFT-HAND SIDE	U.S.	UNDER SIZE
MECH	MECHANICAL	~V	VOLTAGE
NO (NON)	NONE	~W	WATT
OPT.	OPTIONAL	W/	WITH
O.S.	OVER SIZE	W/O	WITHOUT

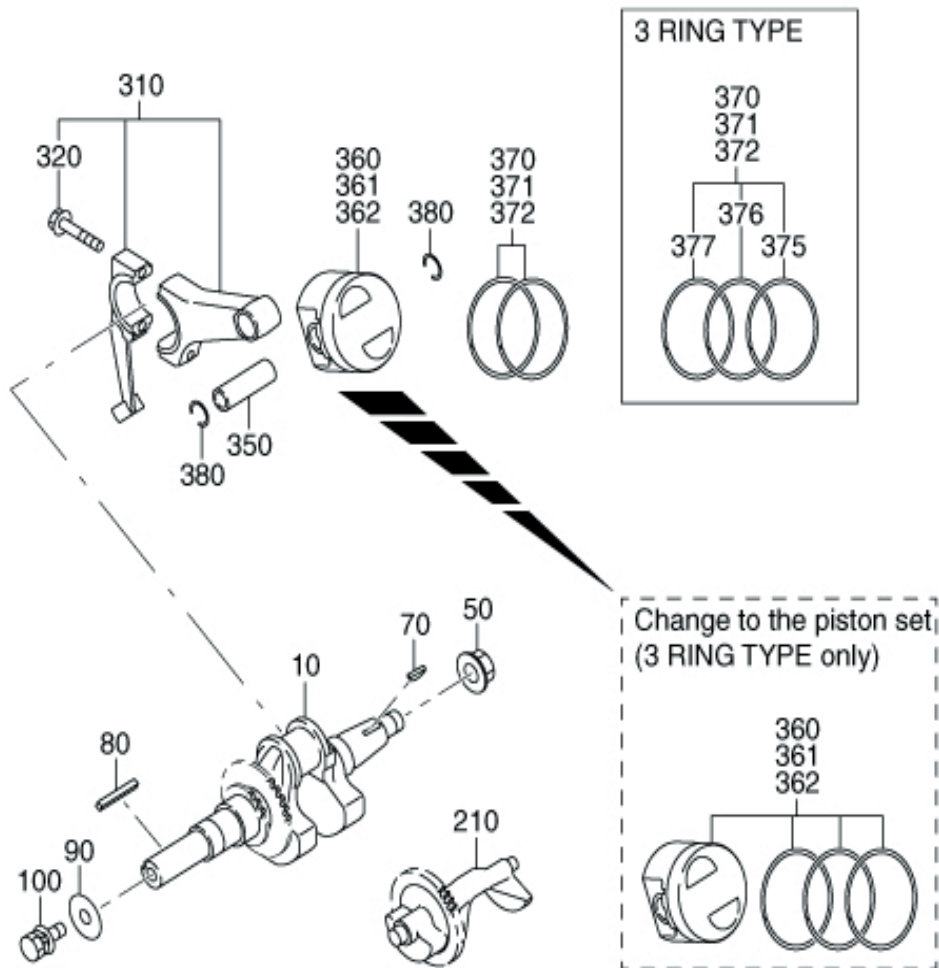


960- GASKET SET

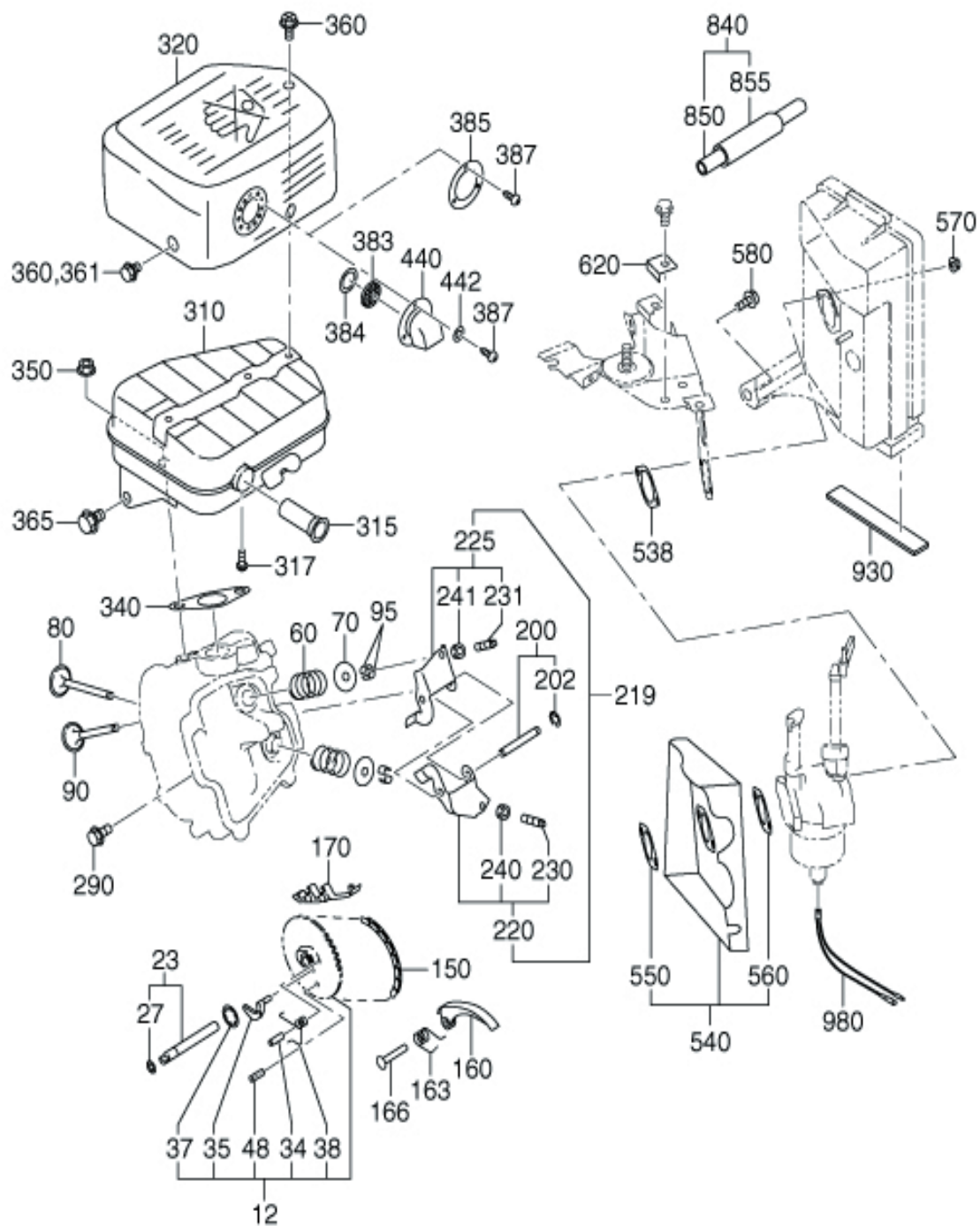
FIG. 100

## CRANKCASE GROUP

REF.	PART NUMBER	PART NAME	QTY.	REMARKS
10	22G1010201	CRANKCASE CP	1	
26	22G1601001	STEM SEAL	1	
28	22G3534103	RETAINER PLATE	1	11DX17.3DX27DX4.7H
30	22G0480100	OIL SEAL	1	35DX48DX8B
40	22G0610100	BALL BEARING	1	35DX72DX17B
46	22G0610200	BALL BEARING	1	15DX35DX11B
50	20A1501103	PIPE KNOCK	2	
60	20A0161300	STUD	2	M8X11.5SX32L
70	22G0160100	STUD	2	M6X52SX125L
75	22G0480200	OIL SEAL	1	8DX14DX4B
80	20A0410100	OIL DRAIN PLUG	2	
90	20A0220100	GASKET 14	2	
210	22G1100201	MAINBEARING COVER CP	1	SAE-B
220	440350091	OIL SEAL	1	KD□35DX48DX8B
230	22G0610100	BALL BEARING	1	35DX72DX17B
235	22G0610200	BALL BEARING	1	15DX35DX11B
250	22G4500301	GOVERNOR GEAR CP	1	
260	20A4190103	GOVERNOR SLEEVE	1	
280	22E0230100	GASKET	2	
285	22E6360100	OIL GAUGE AY	2	
300	22G0110100	FLANGE BOLT	8	M8X1.25X17DX38L
610	22G1300200	CYLINDER HEAD AY	1	
620	22G1500103	GASKET(HEAD)	1	T=0.2
630	22G0110200	FLANGE BOLT	4	M10X1.25X19DX75L
631	20A0110100	FLANGE BOLT	2	M8X1.25X16DX35L
680	22G1550101	ROCKER COVER CP	1	
690	22G1600103	GASKET(ROCKER COVER)	1	T=0.8
700	22G0310100	DOWEL PIN	2	6DX12L
710	20A0111100	FLANGE BOLT	4	M6X1.0X13DX12L



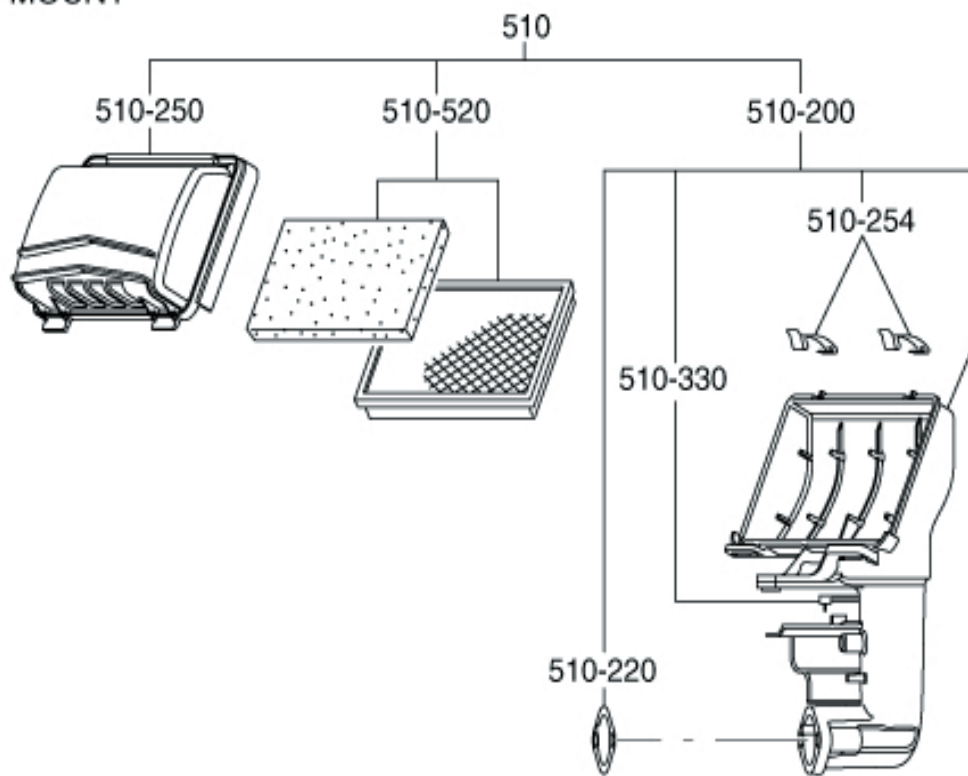




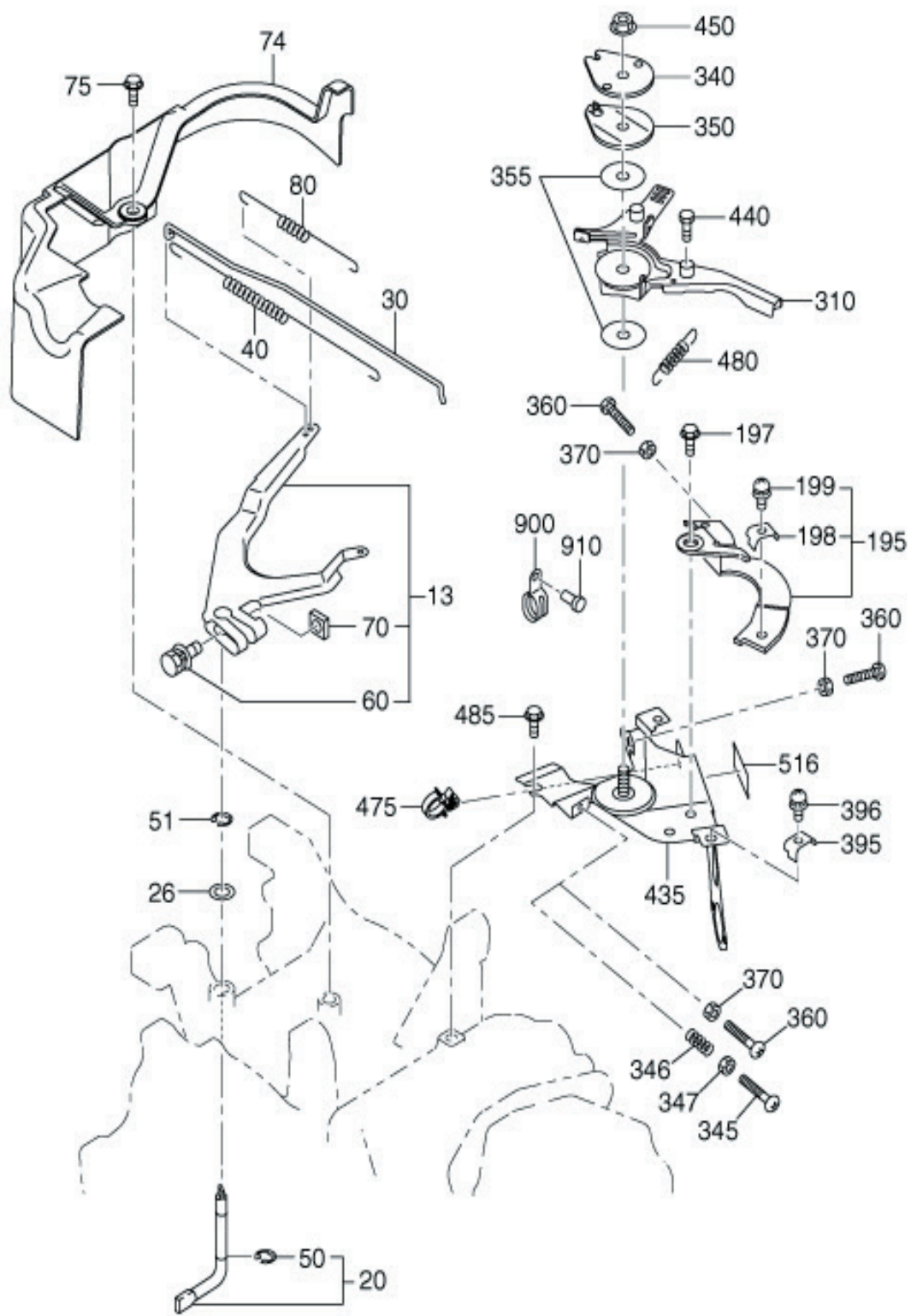


REF.	PART NUMBER	PART NAME	QTY.	REMARKS
12	22G3160100	CAMSHAFT AY	1	
23	22G3510101	PIN(CAM SHAFT)CP	1	
27	22G0280100	O-RING	1	
60	22G3361103	VALVE SPRING	2	22.2DX2.9DX37L N=6.5
70	22G3371103	SPRING RETAINER	2	
80	22G3340203	INTAKE VALVE	1	
90	22G3350203	EXHAUST VALVE	1	
95	22G3550103	COLLET-VALVE	4	
150	22G3560101	TIMING CHAIN CP	1	112LINK
160	20A3691103	TENTIONER	1	
163	20A3710103	SPRING(TENTIONER)	1	10DX1.8DX14L N=4.5
166	20A3690203	PIN(TENTIONER)	1	6DX13DX34L
170	20A3691303	CHAIN GUIDE	1	
200	22G3500101	PIN(ROCKER)CP	1	
202	22G0320300	CLIP	1	6DX12DX0.8T
220	22G3610100	ROCKER ARM(IN) AY	1	
225	22G3610200	ROCKER ARM(EX) AY	1	
290	20A0111100	FLANGE BOLT	1	M6X1.0X13DX12L
310	22G3010202	MUFFLER UN	1	
315	22G3760201	SPARK ARRESTER CP	1	
317	22G0140200	TAPPING SCREW	1	
320	22G3420101	MUFFLER COVER CP	1	
340	22G3520103	GASKET(MUFFLER)	1	T=0.2
350	20A0185120	FLANGE NUT	2	M8X1.25X17DX7.5H
360	20A0111200	FLANGE BOLT	5	M6X1.0X14DX8L
365	22G0110400	FLANGE BOLT	1	M8X1.25X16DX16L
387	22G0140200	TAPPING SCREW	3	
440	22G3700101	DEFLECTOR CP	1	
442	22G0210800	GASKET	3	
538	22G3590303	GASKET 3	1	T=0.8
540	22G3290101	INSULATOR CP	1	
550	22G3590203	GASKET 2	1	T=0.5
560	22G3590103	GASKET 1	1	T=0.5
570	20A0185200	FLANGE NUT	2	M6X1.0X13DX6H
580	20A0111500	FLANGE BOLT	1	M6X1.0X13DX16L
620	22G5710101	COVER STAY(A/C)	1	
850	22G0810400	RUBBER PIPE	1	10DX15DX170L

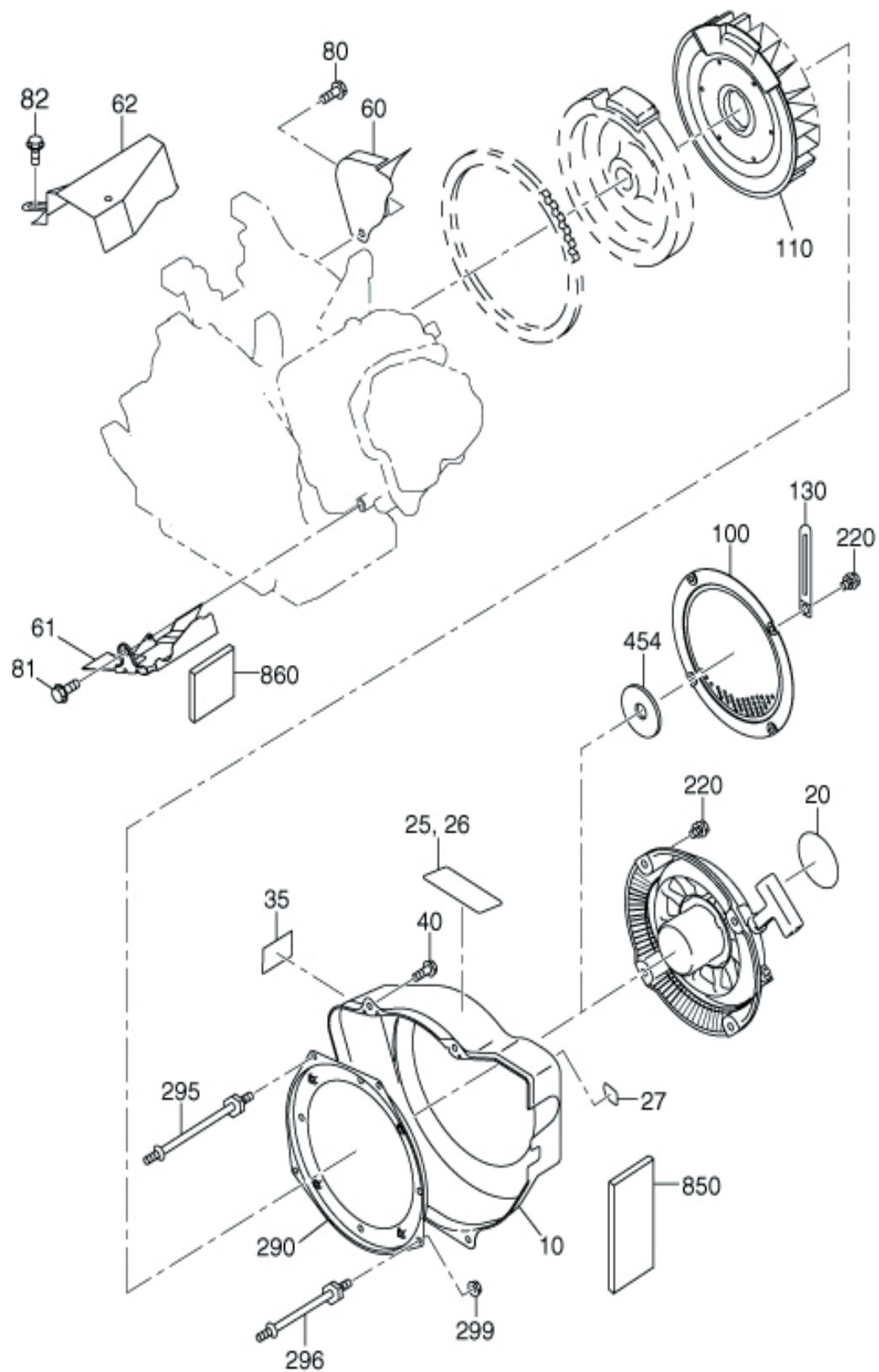
HI MOUNT



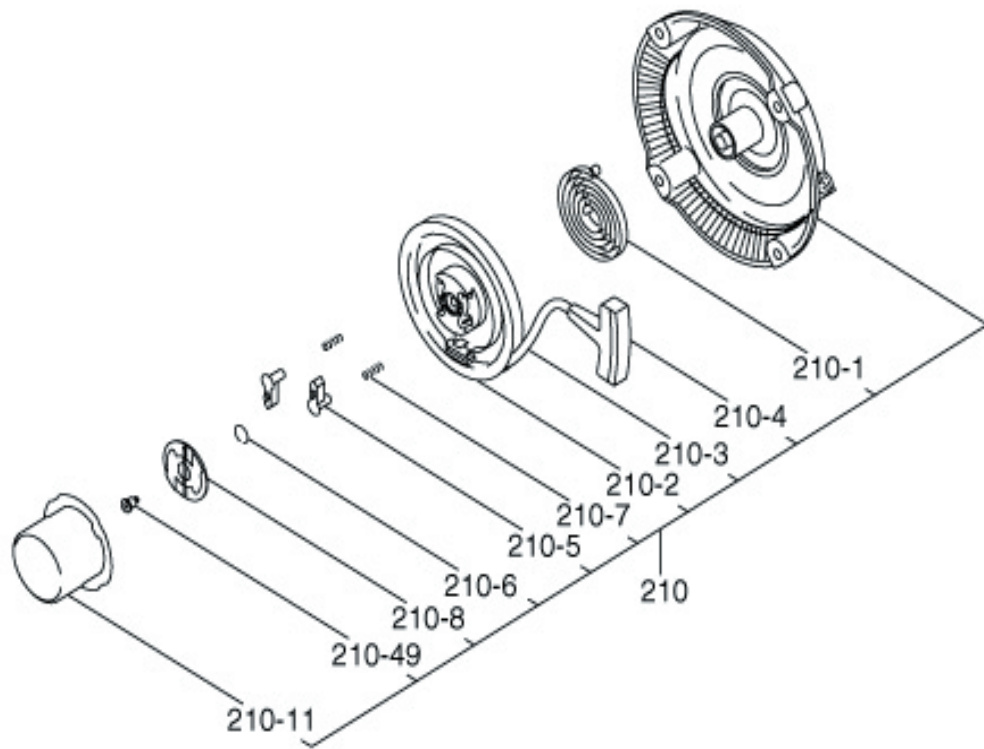






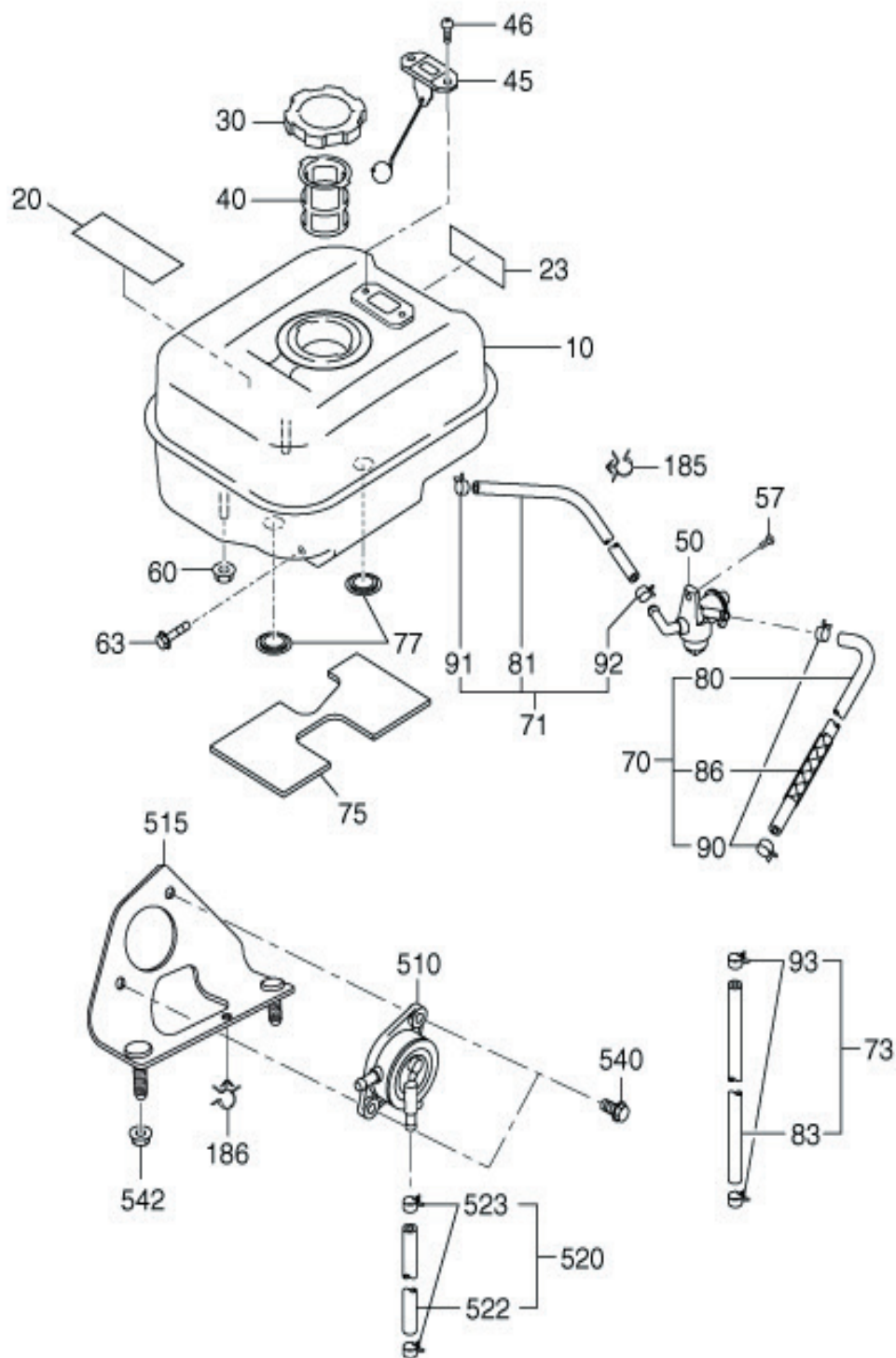




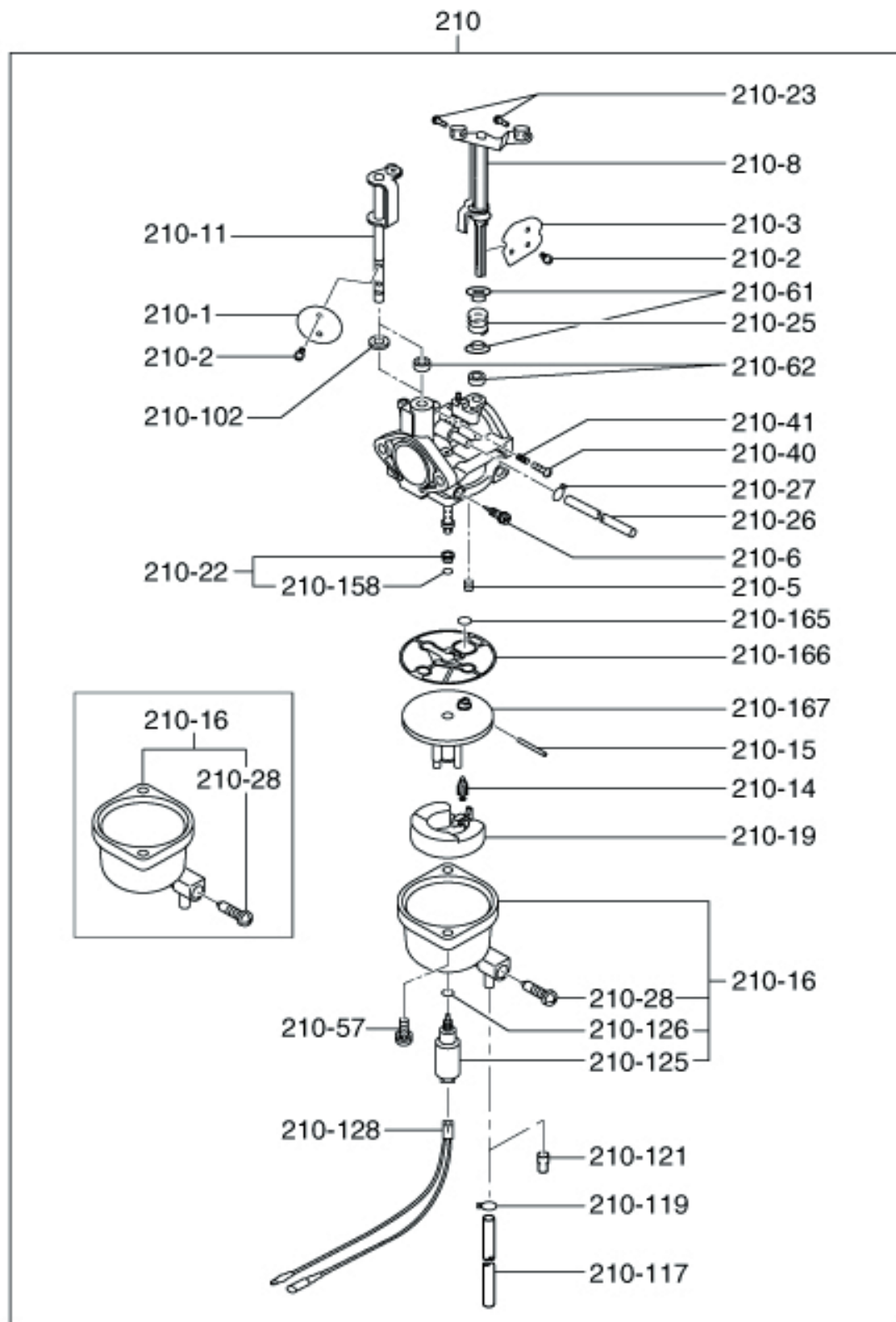




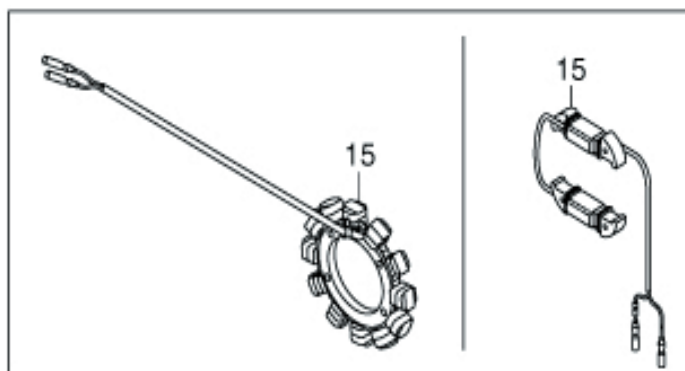
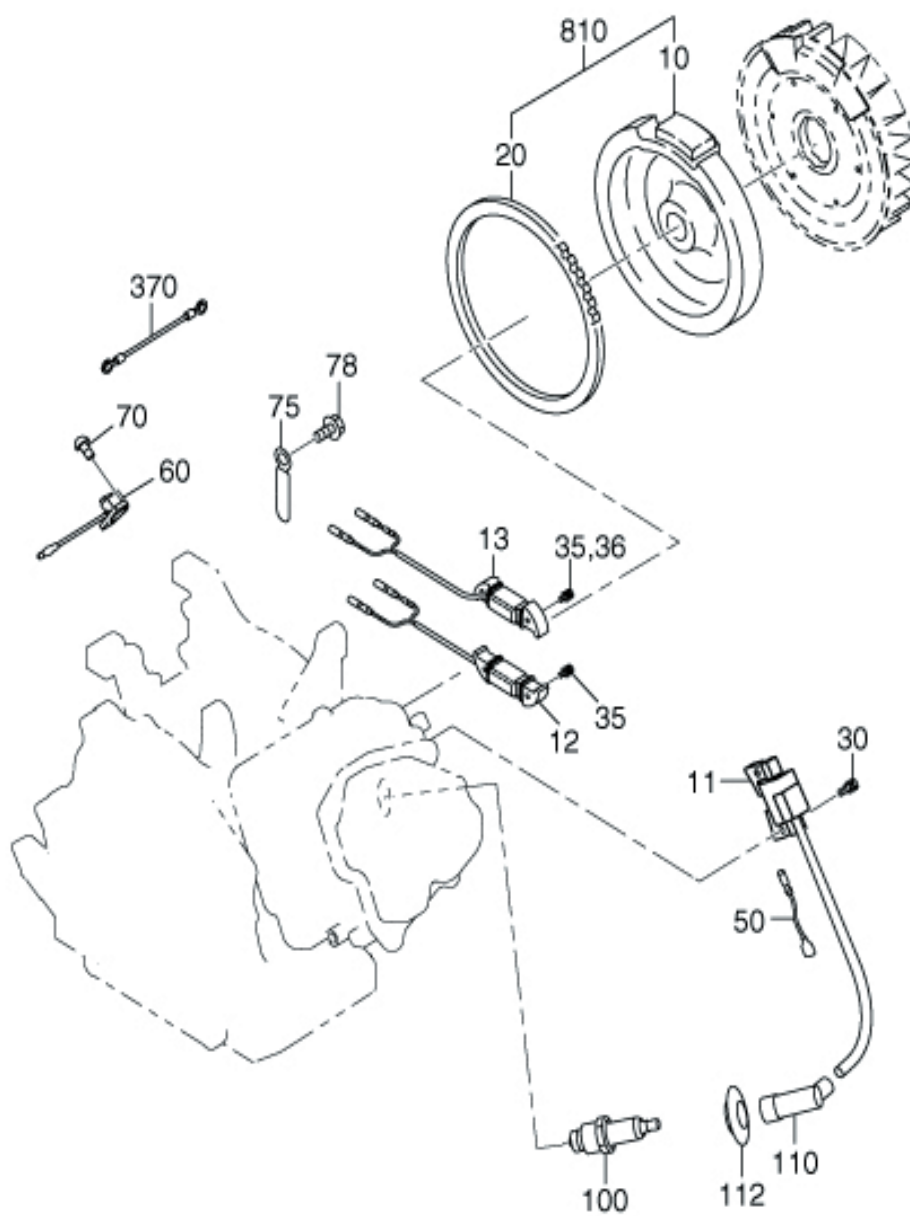




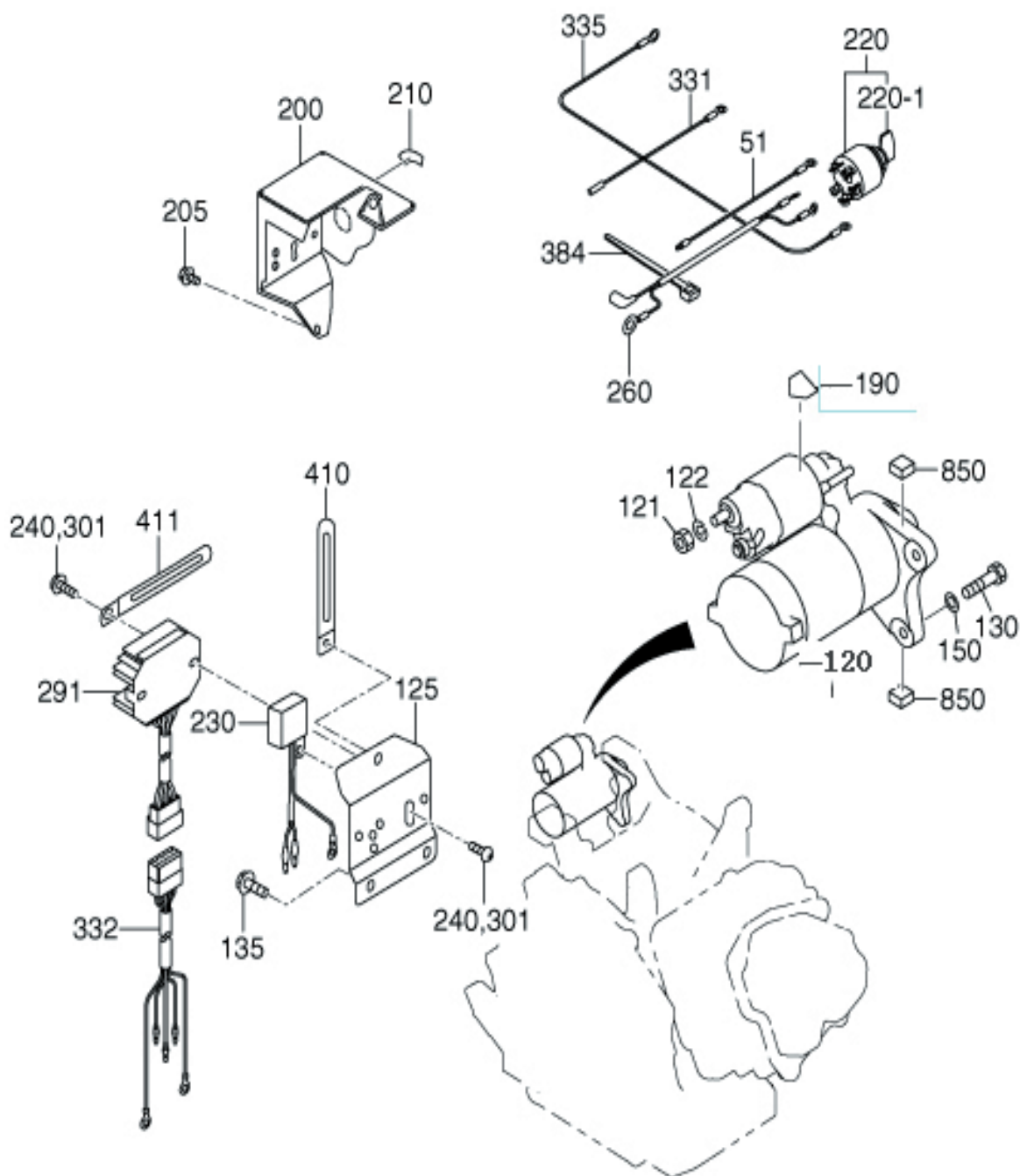






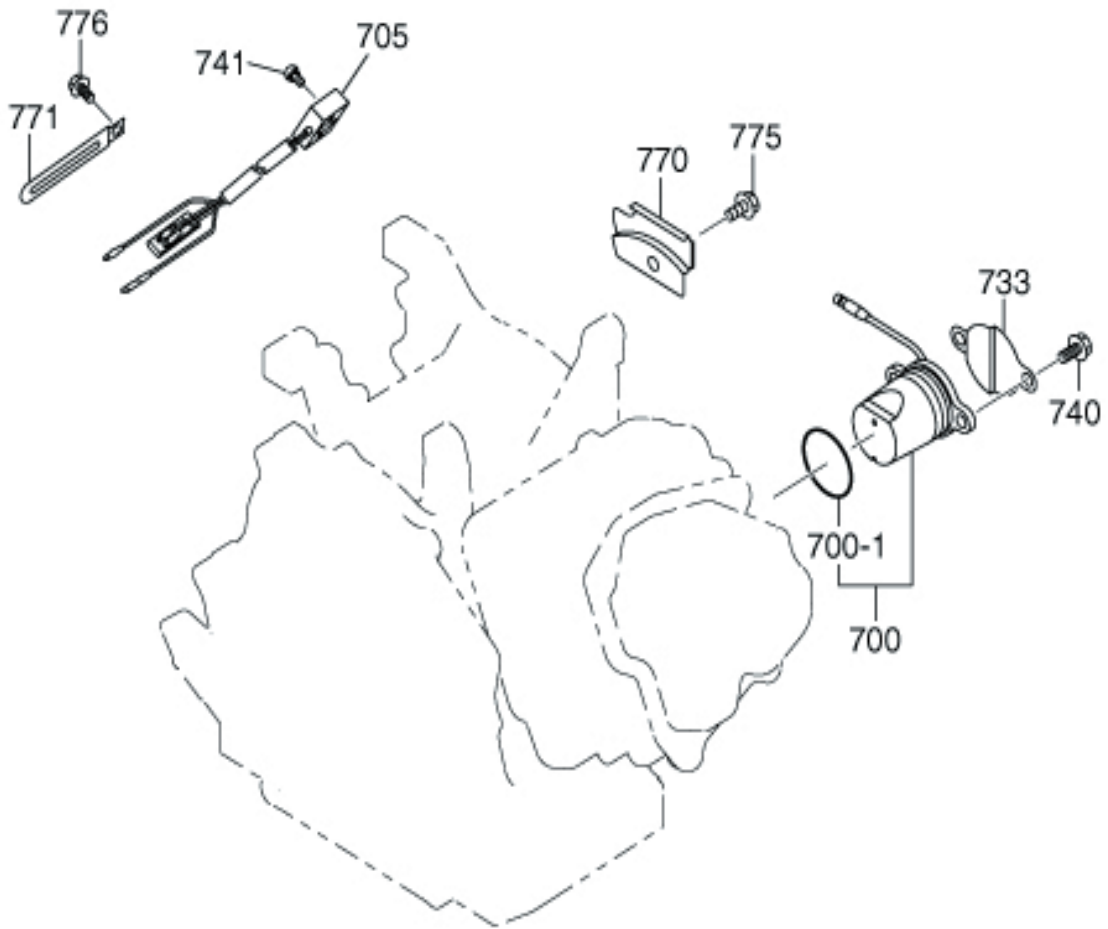




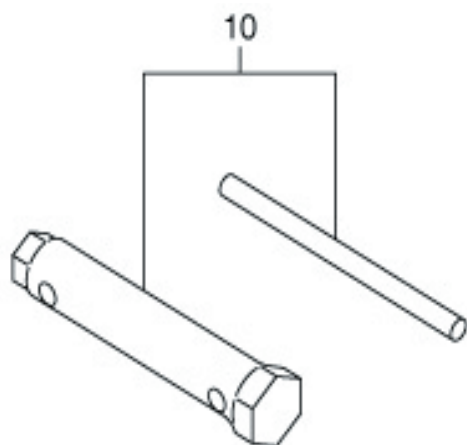




REF.	PART NUMBER	PART NAME	QTY.	REMARKS
51	20A7310501	WIRE 5 CP	1	L=170 BLACK
120	22E7050200	STARTING MOTOR AY	1	12V
121	22G0180100	NUT	1	M8X1.25X6.5H
122	22G0210500	SPRING WASHER	1	8.2DX15.6DX2.5T
125	22G7651101	BRACKET(SEL) CP	1	
130	22G7900701	BOLT CP,STARTER	2	M8X1.25X30L
135	20A0111100	FLANGE BOLT	3	M6X1.0X13DX12L
150	22G0210600	WASHER	2	8.5DX16DX1.6T
190	20A0987200	LABEL(BATTERY)	1	
200	22G7510101	CONTROL BOX CP	1	
205	22G0130600	BOLT AND WASHER AY	2	M6X1.0X14L
210	20A0987100	LABEL(STARTER SWITCH)	1	
220	20A0660200	SWITCH	1	
230	20A7140101	DIODE RECTIFIER CP	1	
240	20A0152200	SCREW AND WASHER AY	1	M6X1.0X10L
260	20A7310301	WIRE 3 CP	1	L=230
335	20A7310401	WIRE 4 CP	1	L=150 BLACK
384	20A0590300	WIRE BAND	1	4.7BX1.3TX120L
410	170FL.7.4	CLAMP	1	
				









[www.wormsentreprises.com](http://www.wormsentreprises.com)



**Siège social / Head Office**

ZAC de Lamirault

39 rue de Lamirault, 77090 Collégien, FRANCE

TEL. +33 (0) 1 64 76 29 50

FAX +33 (0) 1 64 76 29 99

**Services commercial et Pièces de rechange**

*Sales and Spare Parts Departments*

TEL. +33 (0) 1 64 76 29 60

FAX +33 (0) 1 64 76 29 99