



WORMS
E N T R E P R I S E S

PARTS CATALOG

Model
EX40

Engine Model
EX400H70052

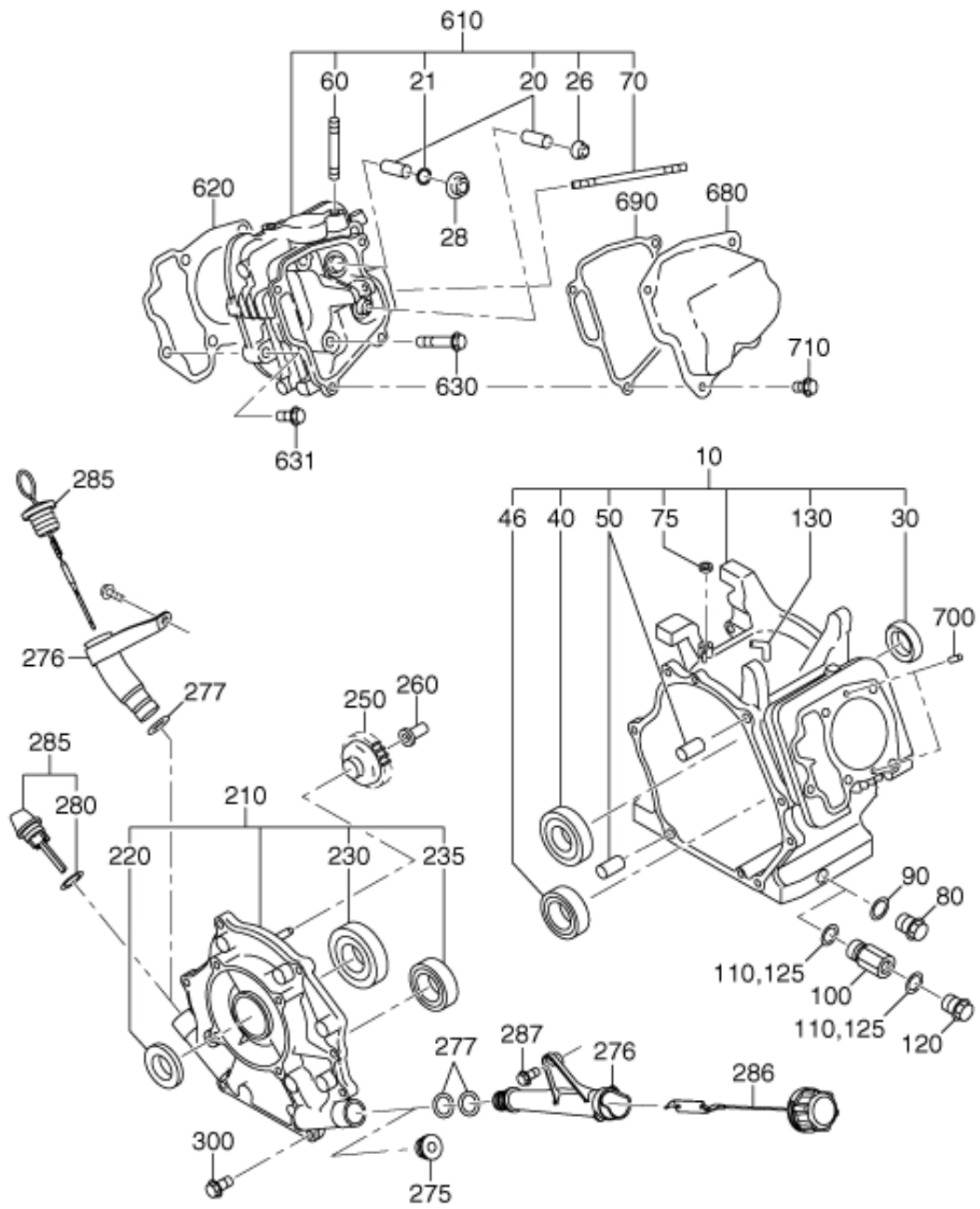
14-09-2021



GROUP INDEX

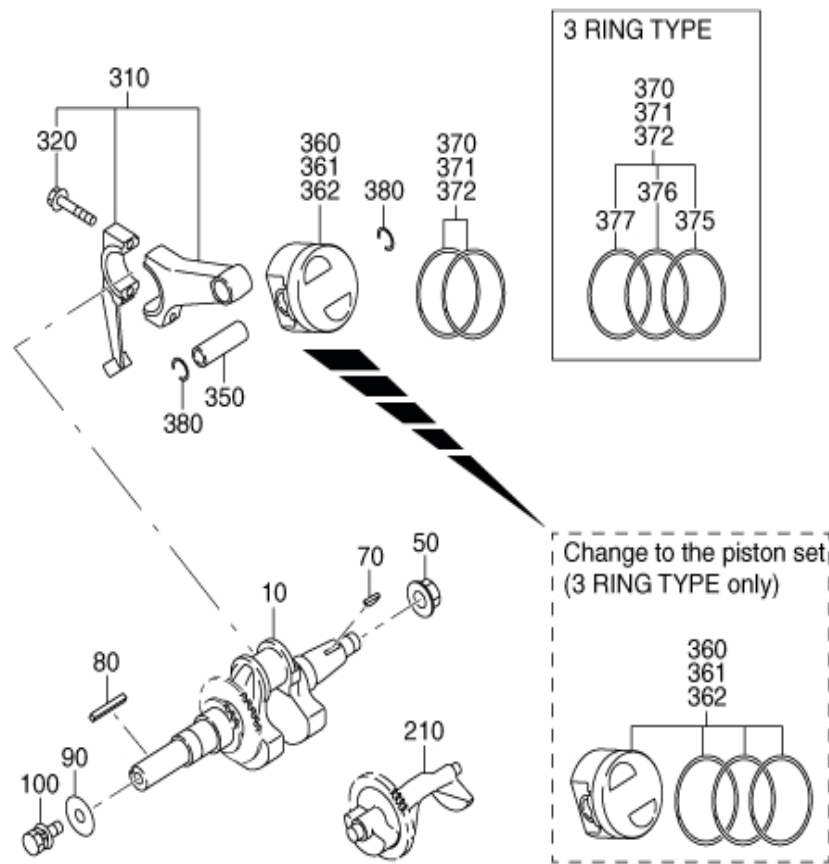
Group Name	Page
CRANKCASE GROUP	4
CRANKSHAFT GROUP	6
INTAKE and EXHAUST GROUP.....	8
GOVERNOR GROUP	12
COOLING and STARTING GROUP	14
FUEL, LUBRICATION GROUP	18
ELECTRIC DEVICE GROUP	22
ACCESSORY GROUP	24

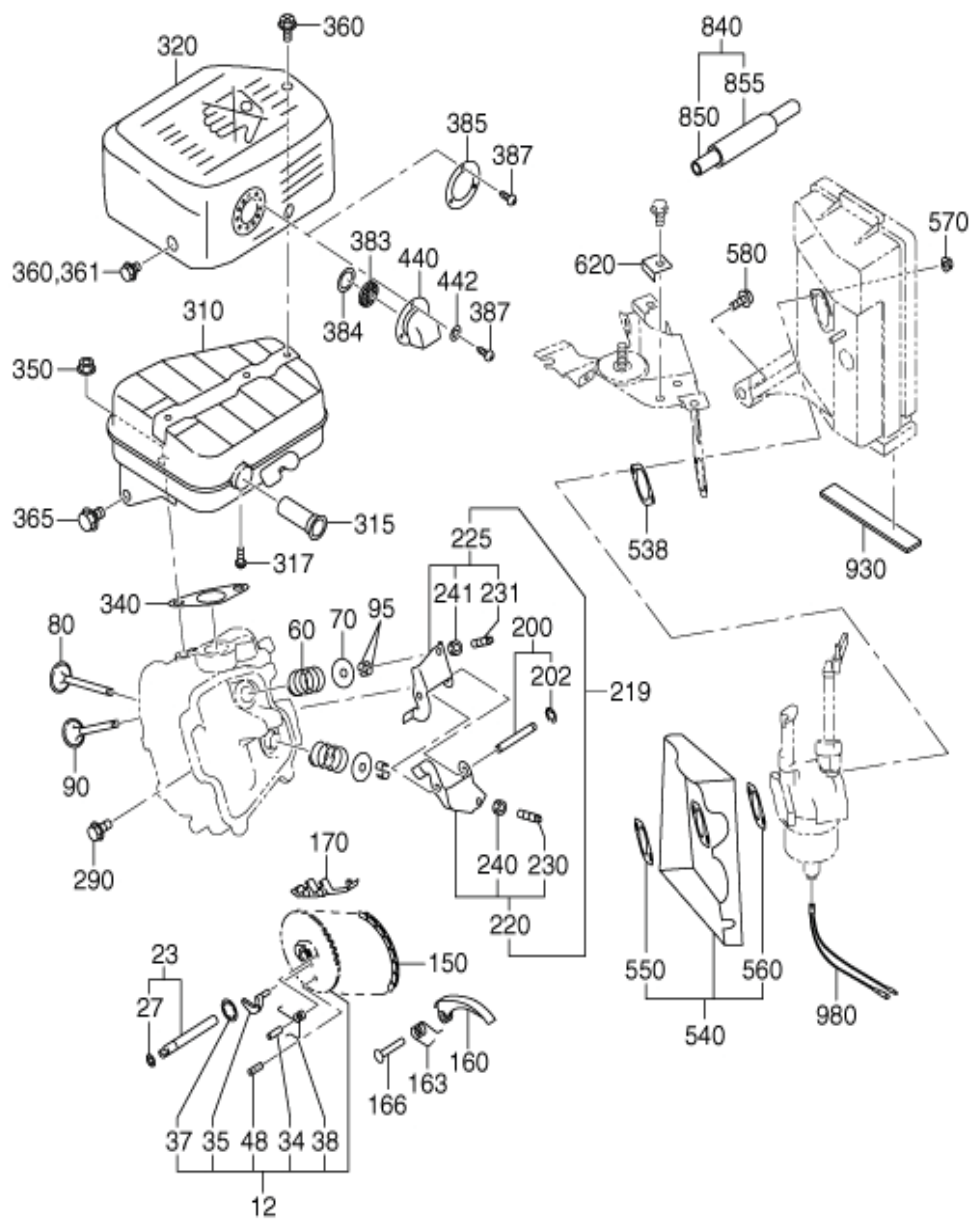
INDEX OF DESCRIPTION SYMBOLS			
SYMBOL	DESCRIPTION	SYMBOL	DESCRIPTION
AY	ASSEMBLY	P=	PITCH (in mm)
CP	COMPLETE	P.T.O. (PTO)	POWER TAKE OFF
EX	EXPORT (from Japan)	REF.	REFERENCE
FIG.	FIGURE	R.H. (RH)	RIGHT HAND SIDE
FR.	FRONT	RR.	REAR
"	INCH	STD.	STANDARD
INCL.	INCLUDE	SW	SWITCH
~L	LITER	T=	THICKNESS (in mm)
L=	LENGTH (in. mm)	UN	UNIT
L.H. (LH)	LEFT-HAND SIDE	U.S.	UNDER SIZE
MECH	MECHANICAL	~V	VOLTAGE
NO (NON)	NONE	~W	WATT
OPT.	OPTIONAL	W/	WITH
O.S.	OVER SIZE	W/O	WITHOUT



960- GASKET SET

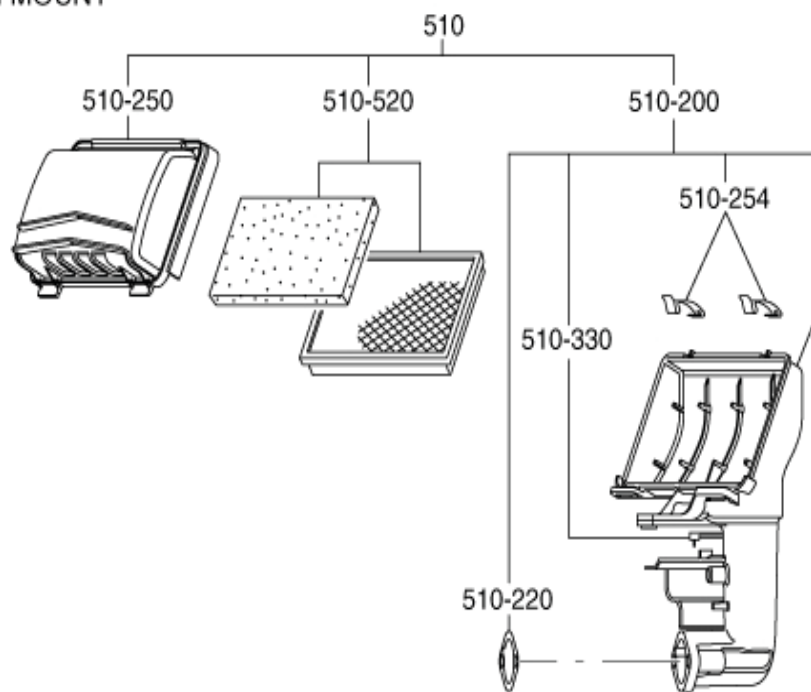
REF.	PART NUMBER	PART NAME	QTY.	REMARKS
10	22G1010101	CRANKCASE CP	1	STD
26	22G1601001	STEM SEAL	1	
28	22G3534103	RETAINER PLATE	1	11DX17.3DX27DX4.7H
30	22G0480100	OIL SEAL	1	35DX48DX8B
40	22G0610100	BALL BEARING	1	35DX72DX17B
46	22G0610200	BALL BEARING	1	15DX35DX11B
50	20A1501103	PIPE KNOCK	2	
60	20A0161300	STUD	2	M8X11.5SX32L
70	22G0160100	STUD	2	M6X52SX125L
75	22G0480200	OIL SEAL	1	8DX14DX4B
80	20A0410100	OIL DRAIN PLUG	2	
90	20A0220100	GASKET 14	2	
210	22G1100201	MAINBEARING COVER CP	1	SAE-B
220	440350091	OIL SEAL	1	KD□35DX48DX8B
230	22G0610100	BALL BEARING	1	35DX72DX17B
235	22G0610200	BALL BEARING	1	15DX35DX11B
250	22G4500301	GOVERNOR GEAR CP	1	
260	20A4190103	GOVERNOR SLEEVE	1	
280	22E0230100	GASKET	2	
285	22E6360100	OIL GAUGE AY	2	
300	22G0110100	FLANGE BOLT	8	M8X1.25X17DX38L
610	22G1300200	CYLINDER HEAD AY	1	
620	22G1500103	GASKET(HEAD)	1	T=0.2
630	22G0110200	FLANGE BOLT	4	M10X1.25X19DX75L
631	20A0110100	FLANGE BOLT	2	M8X1.25X16DX35L
680	22G1550101	ROCKER COVER CP	1	
690	22G1600103	GASKET(ROCKER COVER)	1	T=0.8
700	22G0310100	DOWEL PIN	2	6DX12L
710	20A0111100	FLANGE BOLT	4	M6X1.0X13DX12L

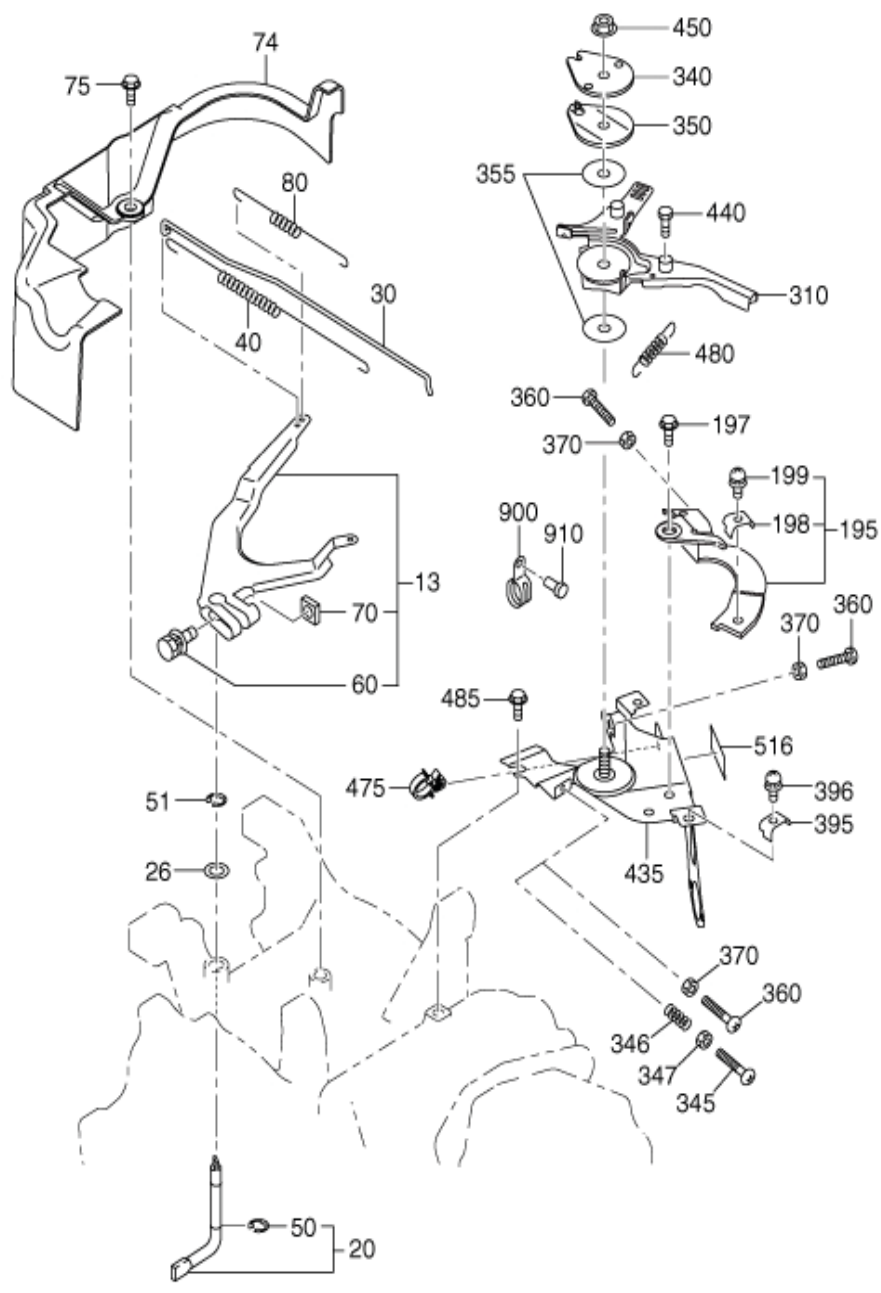


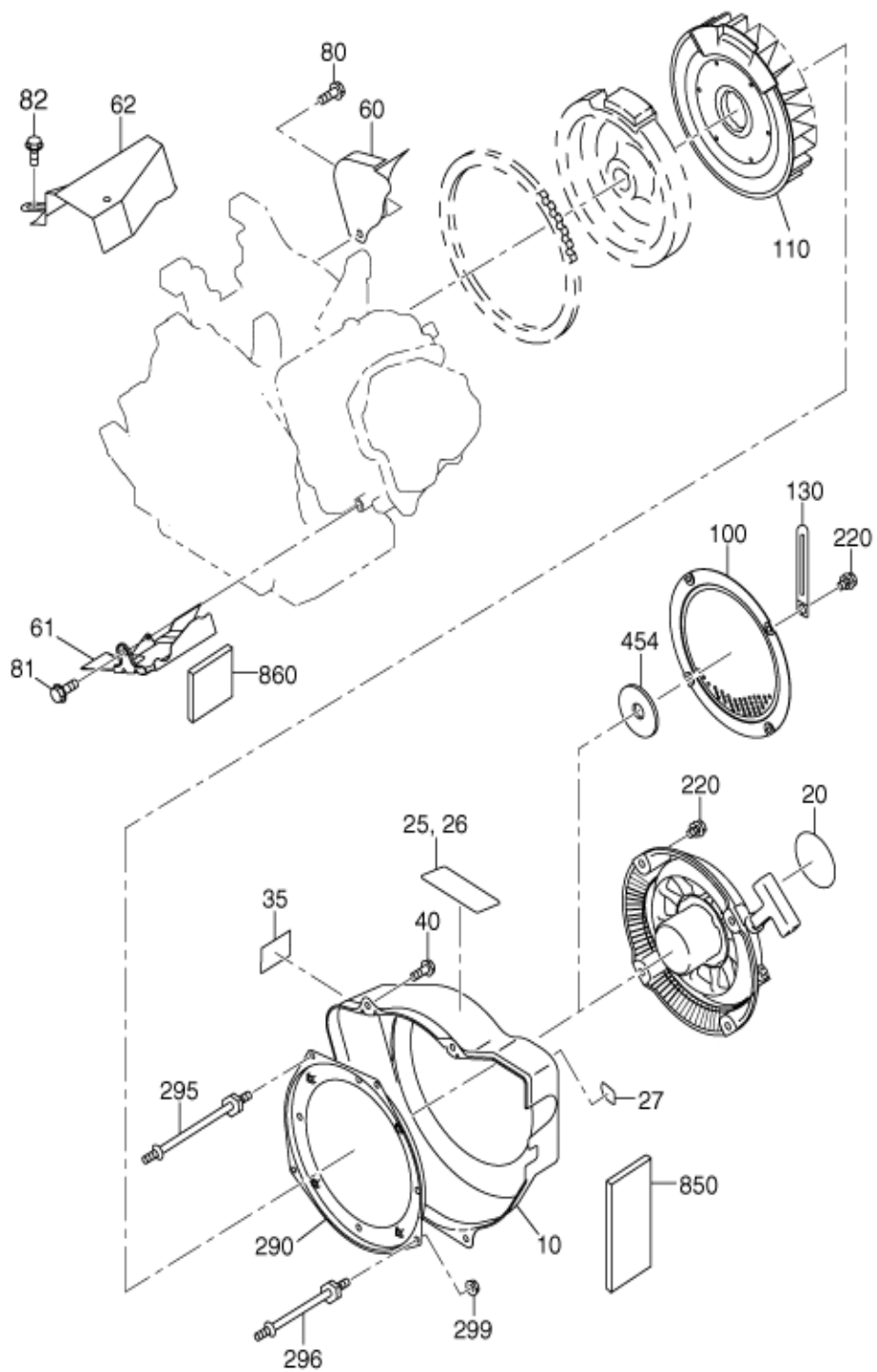


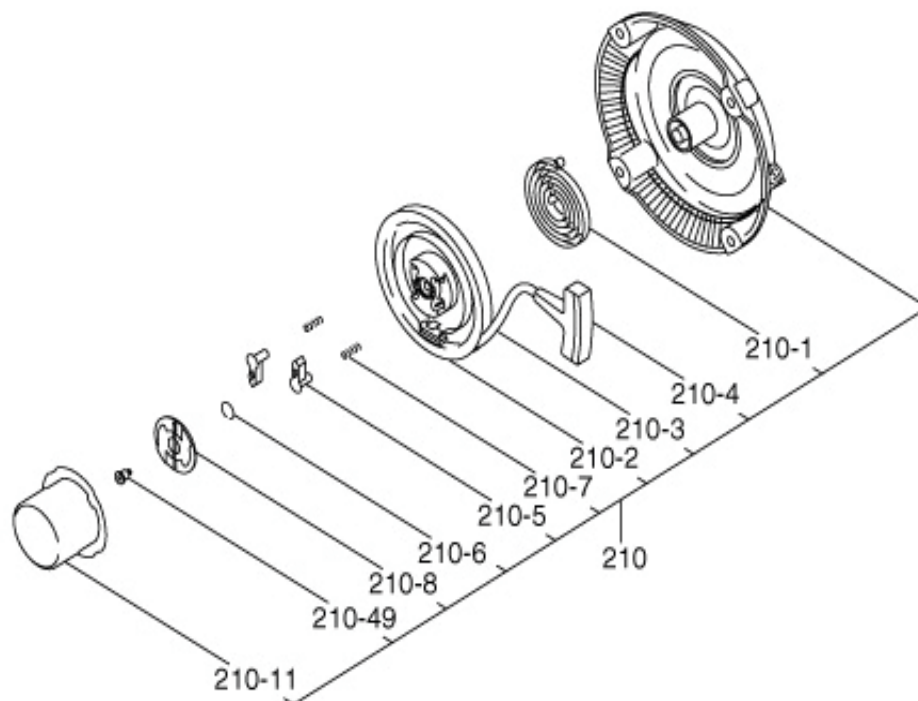
REF.	PART NUMBER	PART NAME	QTY.	REMARKS
12	22G3160100	CAMSHAFT AY	1	
23	22G3510101	PIN(CAM SHAFT)CP	1	
27	22G0280100	O-RING	1	
60	22G3361103	VALVE SPRING	2	22.2DX2.9DX37L N=6.5
70	22G3371103	SPRING RETAINER	2	
80	22G3340203	INTAKE VALVE	1	
90	22G3350203	EXHAUST VALVE	1	
95	22G3550103	COLLET-VALVE	4	
150	22G3560101	TIMING CHAIN CP	1	112LINK
160	20A3691103	TENTIONER	1	
163	20A3710103	SPRING(TENTIONER)	1	10DX1.8DX14L N=4.5
166	20A3690203	PIN(TENTIONER)	1	6DX13DX34L
170	20A3691303	CHAIN GUIDE	1	
200	22G3500101	PIN(ROCKER)CP	1	
202	22G0320300	CLIP	1	6DX12DX0.8T
220	22G3610100	ROCKER ARM(IN) AY	1	
225	22G3610200	ROCKER ARM(EX) AY	1	
290	20A0111100	FLANGE BOLT	1	M6X1.0X13DX12L
310	22G3010102	MUFFLER UN	1	
320	22G3420101	MUFFLER COVER CP	1	
340	22G3520103	GASKET(MUFFLER)	1	T=0.2
350	20A0185120	FLANGE NUT	2	M8X1.25X17DX7.5H
360	20A0111200	FLANGE BOLT	5	M6X1.0X14DX8L
365	22G0110400	FLANGE BOLT	1	M8X1.25X16DX16L
385	22G3710102	TAIL SCREEN UN	1	
387	22G0140200	TAPPING SCREW	3	
442	22G0210800	GASKET	3	
538	22G3590303	GASKET 3	1	T=0.8
540	22G32903H0	INSULATOR CP	1	with gasket and nipple
550	22G3590203	GASKET 2	1	T=0.5
560	22G3590103	GASKET 1	1	T=0.5
570	20A0185200	FLANGE NUT	2	M6X1.0X13DX6H
580	20A0111500	FLANGE BOLT	1	M6X1.0X13DX16L
620	22G5710101	COVER STAY(A/C)	1	
850	22G0810400	RUBBER PIPE	1	10DX15DX170L

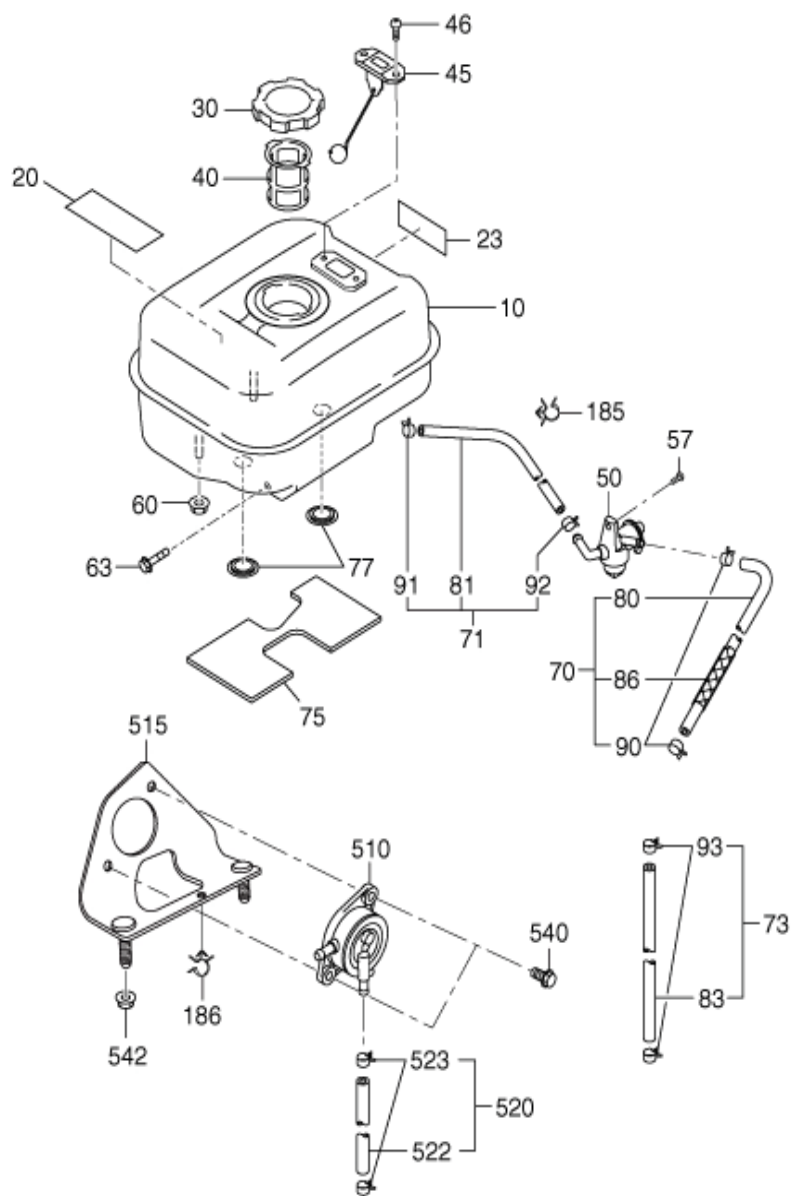
HI MOUNT



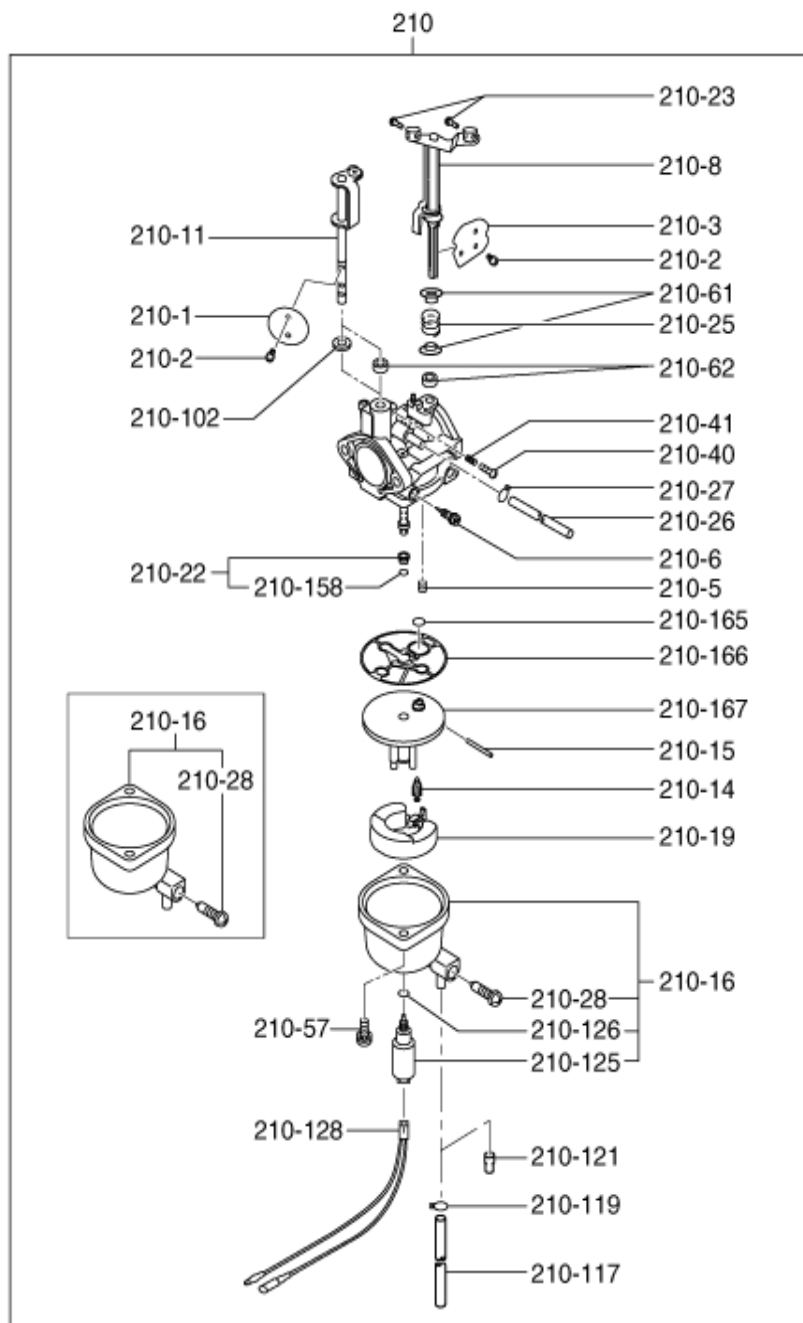


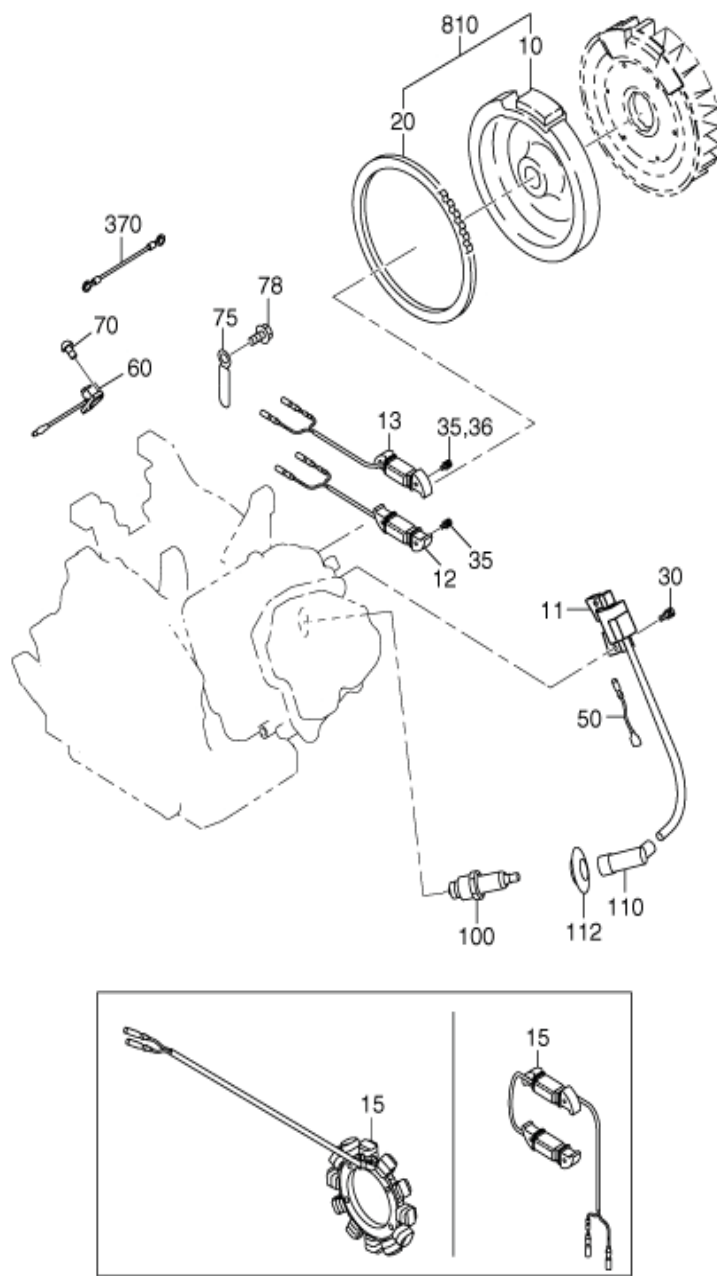


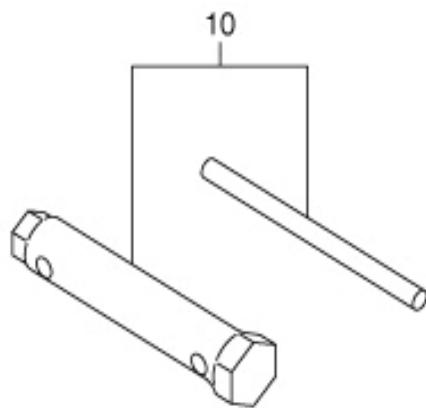




REF.	PART NUMBER	PART NAME	QTY.	REMARKS
10	22G6120211B	FUEL TANK CP	1	BLACK
20	X732005490	LABEL(WARNING)	1	
23	22GH910313	LABEL(MODEL)	1	
30	22G0440100	FUEL TANK CAP CP	1	43DX63.8DX18H BLACK
40	20A0640100	FUEL FILTER	1	
45	22E8000700	FUEL GAUGE CP	1	
46	20A5050060	BOLT	2	
50	Z642012201	FUEL STRAINER AY	1	
57	20A0111200	FLANGE BOLT	1	M6X1.0X14DX8L
60	20A0185120	FLANGE NUT	2	M8X1.25X17DX7.5H
63	20A0110500	FLANGE BOLT	2	M8X1.25X16DX25L
70	22G6260101	FUEL PIPE CP	1	
71	22G6260401	FUEL PIPE CP	1	6.35DX12.7DX250L
80	22G0810300	RUBBER PIPE	1	6DX11DX85L
81	22G1061660	RUBBER PIPE	1	L=430
83	22G1061841A & 22G1061841B	RUBBER PIPE	1+1	L=75 & L=390
84	22G1061841C	RUBBER PIPE	1	L=265
85	22GWM.12-1	T-piece	1	
90	22G0580200	HOSE CLAMP	2	10DX8BX0.6T
91	AFG1120040	HOSE CLAMP	1	12DX8BX0.8T
92	20A0580100	HOSE CLAMP	1	11.7DX8BX0.8T
93	20A0580100	HOSE CLAMP	6	
185	22G0590100	CLAMP	1	
510	2676220110	FUEL PUMP AY	1	
522	22G1062280	RUBBER PIPE	1	L=780
523	20A1110020	HOSE CLAMP	2	Φ10.5
540	20A0111500	FLANGE BOLT	1	M6x16







www.wormsentreprises.com



Siège social / Head Office

ZAC de Lamirault
39 rue de Lamirault, 77090 Collégien, FRANCE
TEL. +33 (0) 1 64 76 29 50
FAX +33 (0) 1 64 76 29 99

Services commercial et Pièces de rechange

Sales and Spare Parts Departments
TEL. +33 (0) 1 64 76 29 60
FAX +33 (0) 1 64 76 29 99