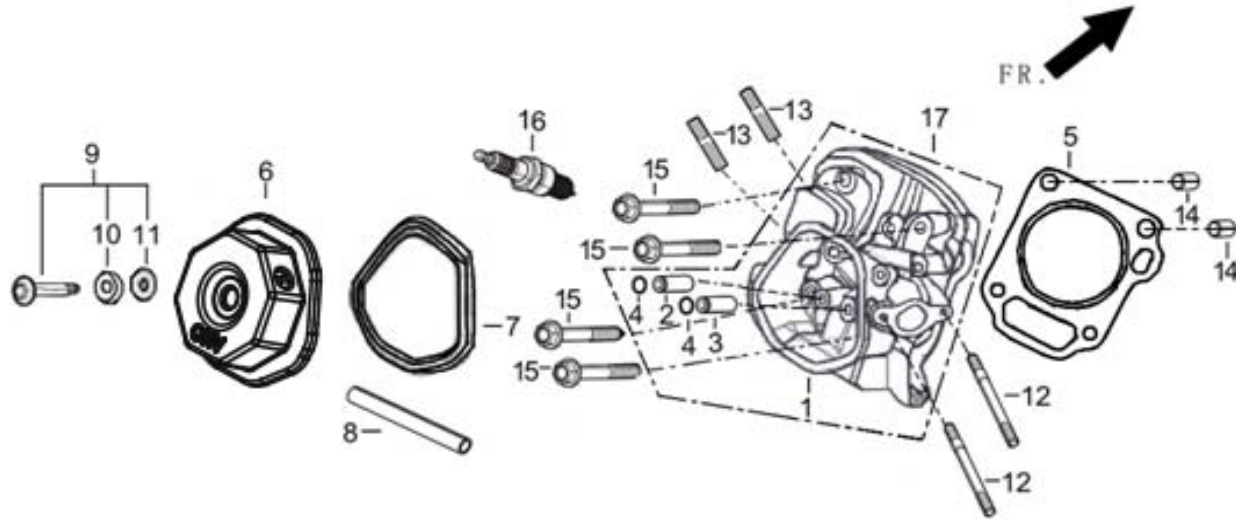


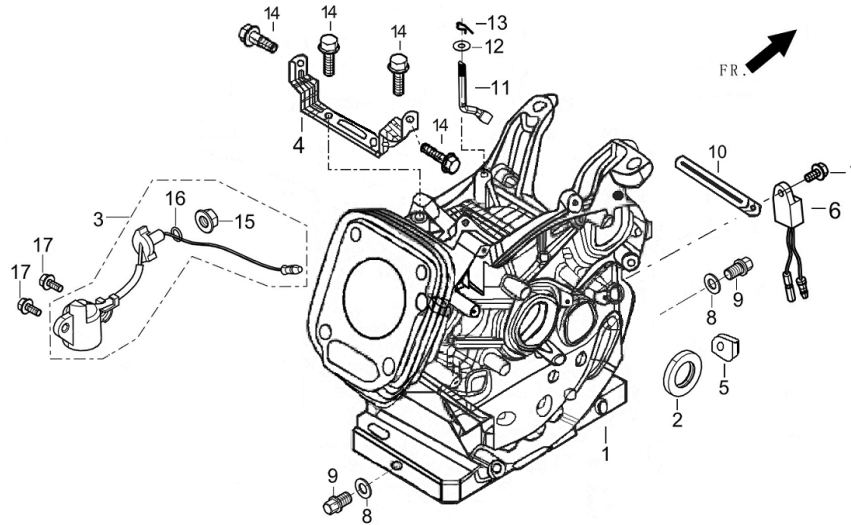
R280

FIG.1 HEAD SUBASSEMBLY, CYLINDER / PLUG, SPARK (E04)



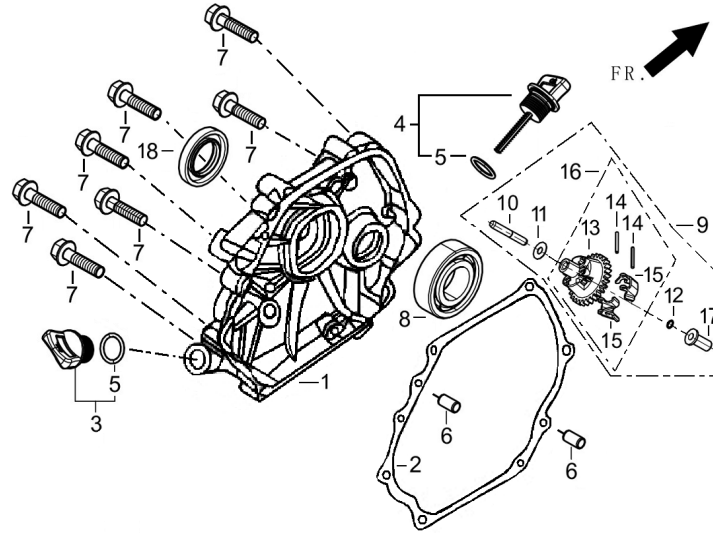
REF.NO.	PART NO	DESCRIPTION	Q'TY	Nb packet	
E04-5	12131-Z580110-0000	GASKET, CYLINDER HEAD	1	1	
E04-6	12410-Z580110-H300	COVER SUBASSEMBLY, CYLINDER HEAD	1	1	
E04-7	12004-Z580110-0000	GASKET, CYLINDER HEAD COVER	1	1	
E04-8	17004-Z080210-0000	TUBE, BREATHER	1	1	
E04-9	12030-Z310110-0000	BOLT SUBASSEMBLY, CYLINDER HEAD COVER	1	1	
E04-12	90204-Z080320-0000	STUD	2	1	
E04-13	90204-Z100320-0000	STUD	2	1	
E04-14	90502-1220-00	PIN	2	1	
E04-15	12003-Z080110-0000	BOLT, CYLINDER HEAD	4	1	
E04-16	30010-Z300110-0000	PLUG, SPARK	1	1	
E04-17	12140-Z580110-0000	HEAD SUBASSEMBLY, CYLINDER	1	1	

FIG.2 CRANKCASE.(E01)



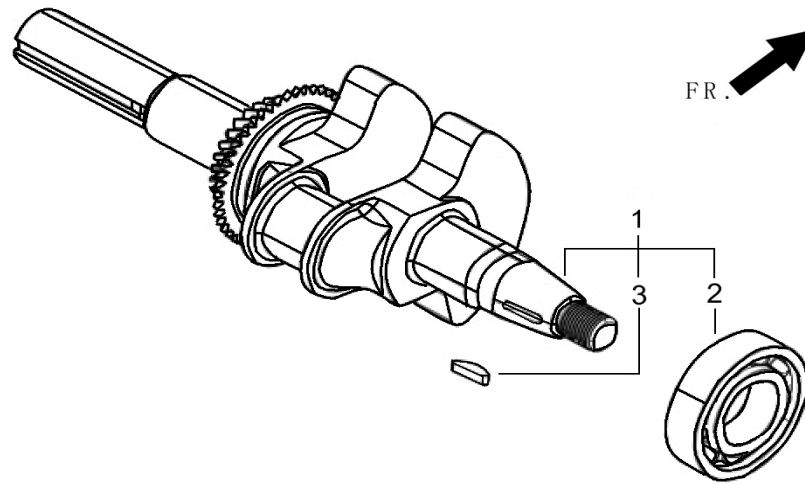
REF.NO.	PART NO	DESCRIPTION	QTY	Nb packet	
E17-1	11310-Z580110-0000	CRANKCASE SUBASSEMBLY.	1	1	
E17-2	90682-Z080110-0000	SEAL, OIL	1	1	
E17-3	37060-Z080110-0000	SENSOR, ENGINE OIL	1	1	
E17-4	16612-Z080110-H300	FRAME, FUEL TANK INSTALLTION	2	1	
E17-5	28101-Z080110-0000	PLUG, RUBBER	2	1	
E17-6	37050-Z010210-0000	PROTECTOR, OIL	1	1	
E17-7	90001-0612-01	BOLT	1	1	
E17-8	90412-Z080110-0000	WASHER	2	1	
E17-9	11007-Z080110-0000	BOLT, DRAIN PLUG	2	1	
E17-10	90684-Z030120-0000	CLIP	1	1	
E17-11	16061-Z080110-0000	ARM, GOVERNOR	1	1	
E17-12	90412-Z080210-0000	WASHER	1	1	
E17-13	90501-Z010110-0000	PIN	1	1	
E17-14	90001-0820-03	BOLT	4	1	
E17-17	90001-0616-01	BOLT	2	1	

FIG.3 COVER SUBASSEMBLY, CRANKCASE / GEAR ASSY, GOVERNOR (E16)



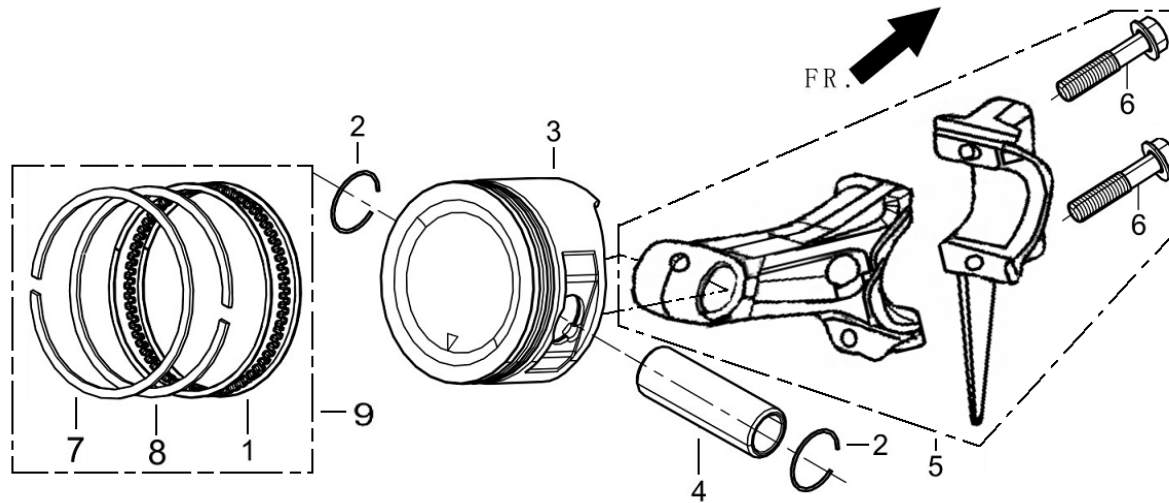
REF.NO.	PART NO	DESCRIPTION	Q'TY	Nb packet	
E01-1	11411-Z580110-0000	COVER, CRANKCASE	1	1	
E01-2	11001-Z580110-0000	GASKET, CRANKCASE	1	1	
E01-3	15030-Z080110-Q600	PLUG SUBASSEMBLY, ENGINE OIL	1	1	
E01-4	15010-Z080110-Q600	DIPSTICK SUBASSEMBLY, OIL	1	1	
E01-6	90502-0912-00	PIN	2	1	
E01-7	90001-0835-01	BOLT	7	1	
E01-8	90547-0206-00	BEARING	1	1	
E01-9	16400-Z080110-0000	GEAR ASSY, GOVERNOR	1	1	
E01-18	90682-Z080110-0000	SEAL, OIL	1	1	

FIG.4 ROD,CRANKSHAFT CONNETING (E03)



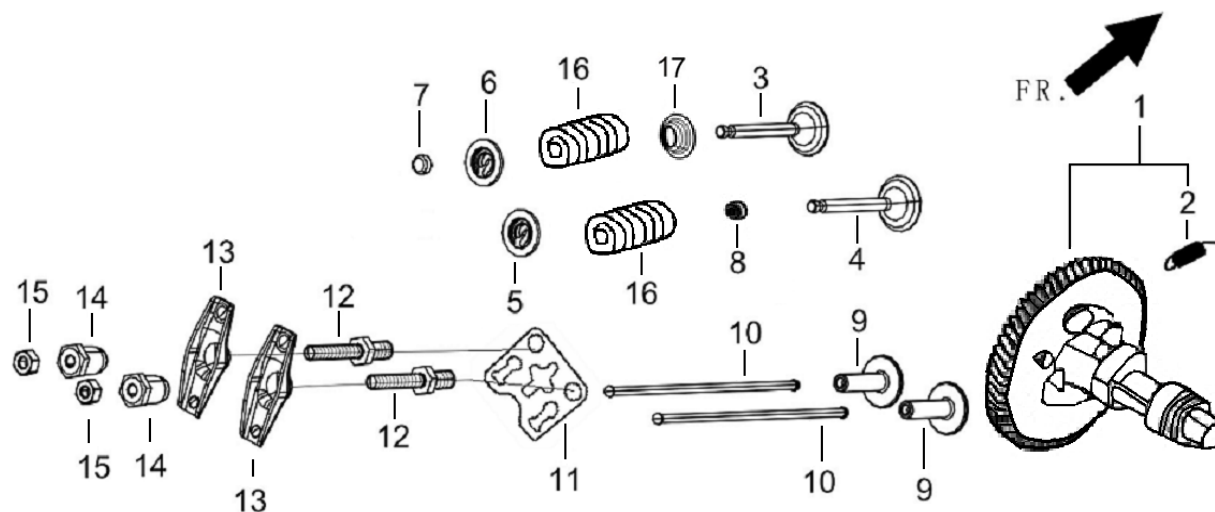
REF.NO.	PART NO	DESCRIPTION	Q'TY	Nb packet	
E03-1	13300-Z580210-0000	CRANKSHAFT ASSY.	1	1	

FIG.5 RING SET,OIL / ROD,CRANKSHAFT CONNETING (E03)



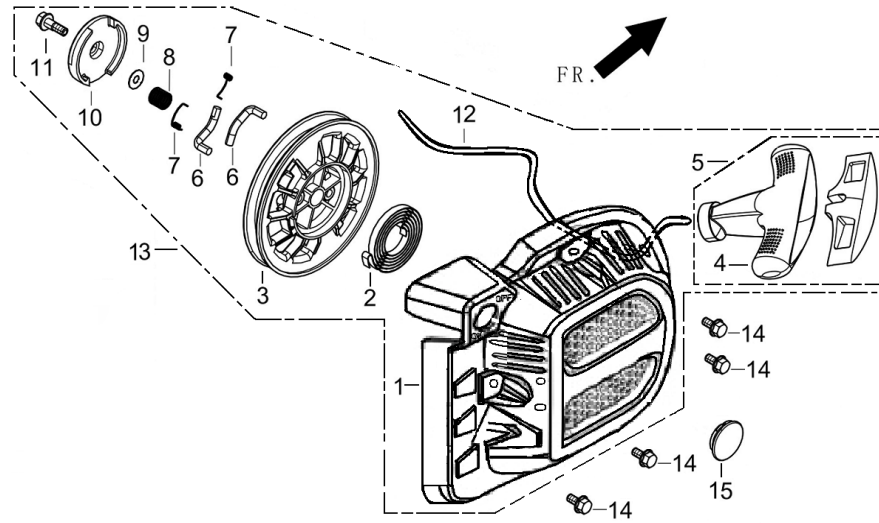
REF.NO.	PART NO	DESCRIPTION	QTY	Nb packet
E04-1	13210-Z580110-0000	RING SET, OIL	1	1
E04-2	13122-Z010110-0000	CLIP, PISTON PIN	2	1
E04-3	13111-Z580110-0000	PISTON	1	1
E04-4	13121-Z580110-0000	PIN, PISTON	1	1
E04-5	13010-Z580110-0000	ROD, CONNECTING	1	1
E04-7	13201-Z580110-0000	RING, THE FIRST	1	1
E04-8	13202-Z580110-0000	RING, THE SECOND	1	1

FIG.6 TRAIN,VALVE / CAMSHAFT SUBASSEMBLY (E05)



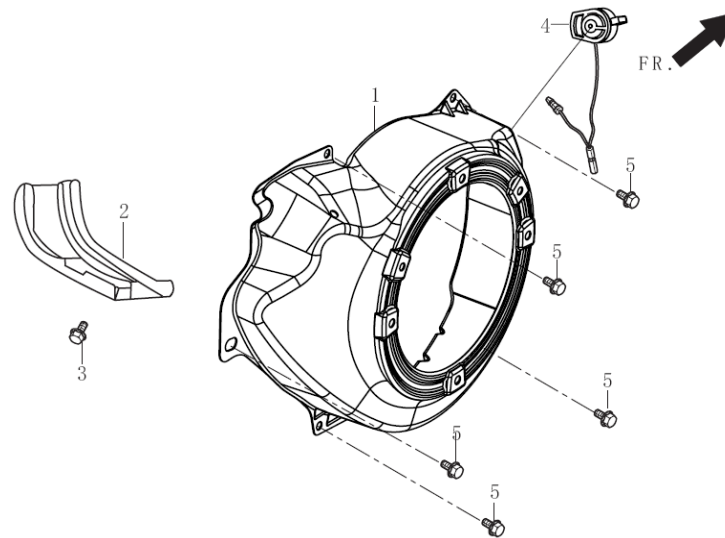
REF.NO.	PART NO	DESCRIPTION	QTY	Nb packet	
E04-1	14200-Z580110-0000	CAMSHAFT ASSY.	1	1	
E04-3	12121-Z080110-0000	VALVE, EXHAUST	1	1	
E04-4	12111-Z080110-0000	VALVE, INTAKE	1	1	
E04-5	12112-Z080110-0000	SEAT, VALVE SPRING	1	1	
E04-6	12107-Z080110-0000	RETAINER, EXHAUST VALVE	1	1	
E04-7	12104-Z080110-0000	ROTATOR, VALVE	1	1	
E04-8	12101-Z080110-0000	GUIDE, SEAL	1	1	
E04-9	14081-Z580110-0000	TAPPET, VALVE	2	1	
E04-10	14070-Z580110-0000	LIFTER SUBASSEMBLY, VALVE	2	1	
E04-11	14090-Z580110-0000	PLATE SUBASSEMBLY, LIFTER STOPPER	1	1	
E04-12	14313-Z010110-0000	BOLT, VALVE ADJUSTING	2	1	
E04-13	14311-Z080110-0000	ROCKER, VALVE	2	1	
E04-14	14314-Z010110-0000	NUT, VALVE ADJUSTING	2	1	
E04-15	14312-Z010110-0000	NUT, VALVE LOCK	2	1	
E04-16	12103-Z080110-0000	SPRING, VALVE	2	1	
E04-17	12105-Z080110-0000	RETAINER, VALVE SPRING	1	1	

FIG.7 STARTER,RECOIL (E08)



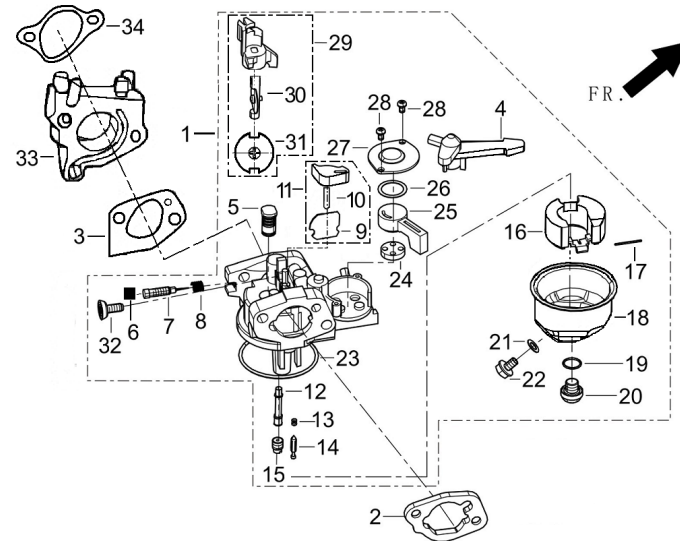
REF.NO.	PART NO	DESCRIPTION	QTY	Nb packet	
E08-13	28200-Z080120-Q200	STARTER ASSY, RECOIL	1	1	
E08-14	90001-0612-03	BOLT	4	1	
E08-15	28102-Z010110-0000	CAP, RECOIL STARTER REEL END	1	1	

FIG.8 SHROUD / SHIELD,LOWER (E14)



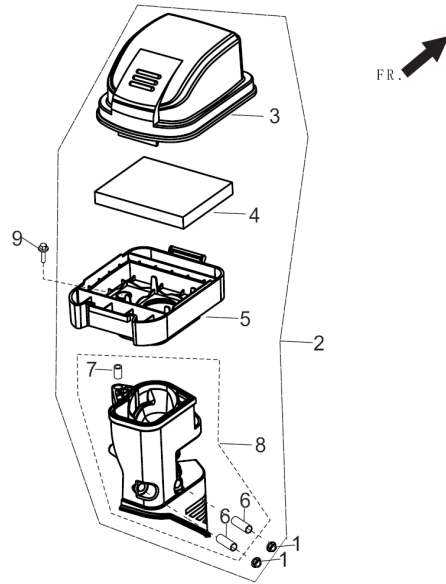
REF.NO.	PART NO	DESCRIPTION	Q'TY	Nb packet	
E14-1	28110-Z080410-R800	SHROUD	1	1	
E14-2	19304-Z080110-0000	SHROUD, CYLINDER BODY	1	1	
E14-3	90001-0612-01	BOLT	1	1	
E14-4	35540-Z060120-0000	SWITCH SUBASSEMBLY, STOP ENGINE	1	1	
E14-5	90001-0612-01	BOLT	5	1	

FIG.9 CARBURETOR ASSY. (E11)



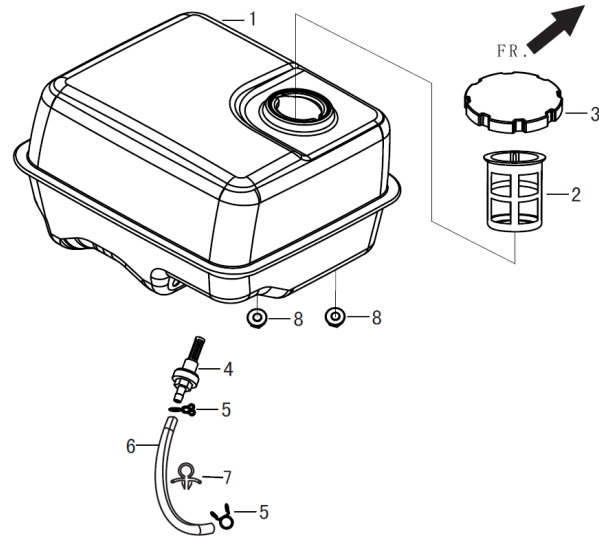
REF.NO.	PART NO	DESCRIPTION	Q'TY	Nb packet
E11-1	16100-Z580210-0000	CARBURETOR ASSY.	1	1
E11-2	17001-Z080210-0000	GASKET, AIR CLEANER	1	1
E11-3	16001-Z080110-0000	GASKET, CARBURETOR	1	1
E11-33	16003-Z080110-0000	PLATE, CARBURETOR INSULATOR	1	1
E11-34	17002-Z080110-0000	GASKET, INLET	1	1

FIG.10 CLEANER, AIR (F02)



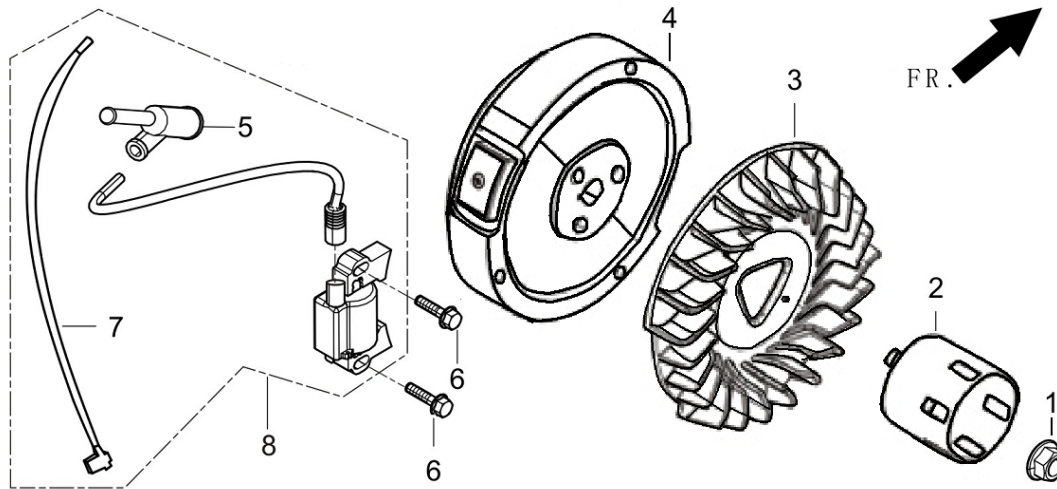
REF.NO.	PART NO	DESCRIPTION	Q'TY	Nb packet	
E04-1	90305-0600-33	NUT	2	1	
E04-2	17100-Z580110-0000	CLEANER, AIR	1	1	
E04-9	90001-0620-01	BOLT	1	1	

FIG.12 TANK ASSY, FUEL (F01)



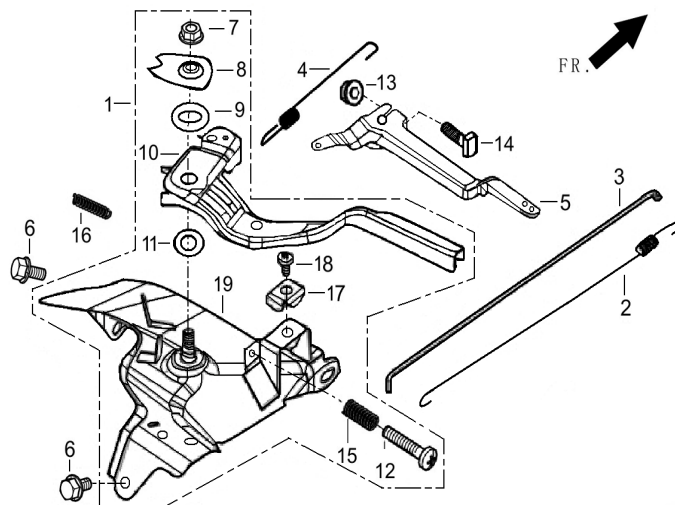
REF.NO.	PART NO	DESCRIPTION	Q'TY	Nb packet	
F01-1	16620-Z310110-R800	TANK, FUEL	1	1	
F01-2	16652-Z010110-0000	STRAINER, FUEL	1	1	
F01-3	16730-Z300110-0300	COVER, FUEL TANK	1	1	
F01-4	16680-Z010110-0000	OUTLET SUBASSEMBLY, FUEL TANK OIL	1	1	
F01-5	90740-Z010210-0000	COLLAR	2	1	
F01-6	90686-Z080310-0000	TUBE, FUEL	1	1	
F01-7	90684-Z080110-0000	CLIP	1	1	
F01-8	90305-0800-31	NUT	2	1	

FIG.13 FLYWHEEL / IMPELLER / STARTER PULLEY / IGNITION COIL (E15)



REF.NO.	PART NO	DESCRIPTION	QTY	Nb packet
E15-1	13501-Z080110-0000	NUT, FLYWHEEL	1	1
E15-2	28002-Z080310-0000	PULLEY,STARTER	1	1
E15-3	19352-Z080110-0000	IMPELLER	1	1
E15-4	13510-Z580110-0000	FLYWHEEL SUBASSEMBLY	1	1
E15-6	90001-0628-01	BOLT	2	1
E15-8	30400-Z080110-0000	COIL, IGNITION	1	1

FIG.14 CONTROL ASSY, THROTTLE (E13)



REF.NO.	PART NO	DESCRIPTION	Q'TY	Nb packet	
E13-1	16520-Z080310-0000	CONTROL ASSY, THROTTLE	1	1	
E13-2	16012-Z080110-0000	SPRING, THROTTLE VALVE RETURNING	1	1	
E13-3	16062-Z080110-0000	ROD, GOVERNEOR	1	1	
E13-4	16063-Z080120-0000	SPRING, GOVERNOR	1	1	
E13-5	16070-Z080110-0000	SUPPORT SUBASSEMBLY, GOVERNOR	1	1	
E13-6	90001-0612-01	BOLT	2	1	
E13-13	90305-0600-31	NUT	1	1	
E13-14	16072-Z010110-0000	BOLT, GOVERNOR SUPPORT	1	1	