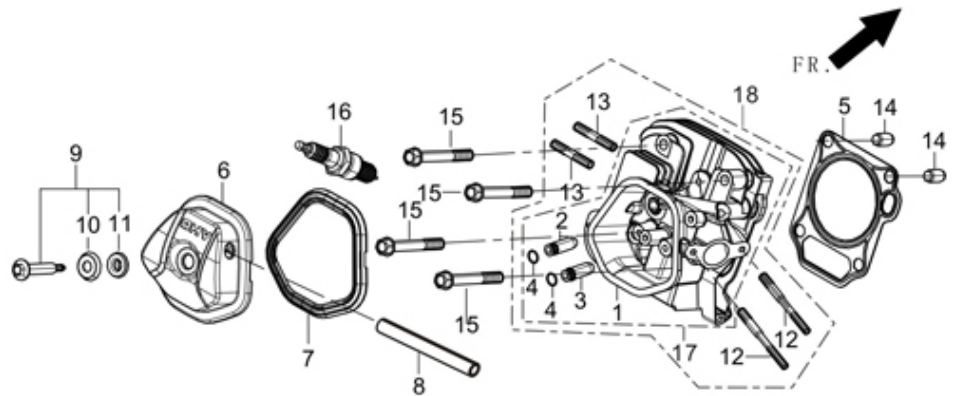


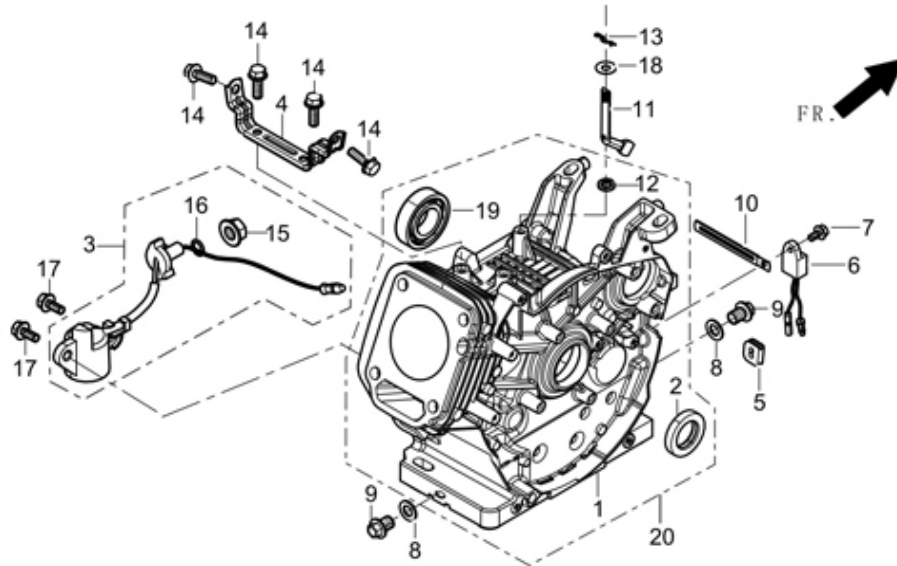
R350 GASOLINE ENGINE

FIG.1 HEAD SUBASSEMBLY, CYLINDER / PLUG, SPARK (E04)



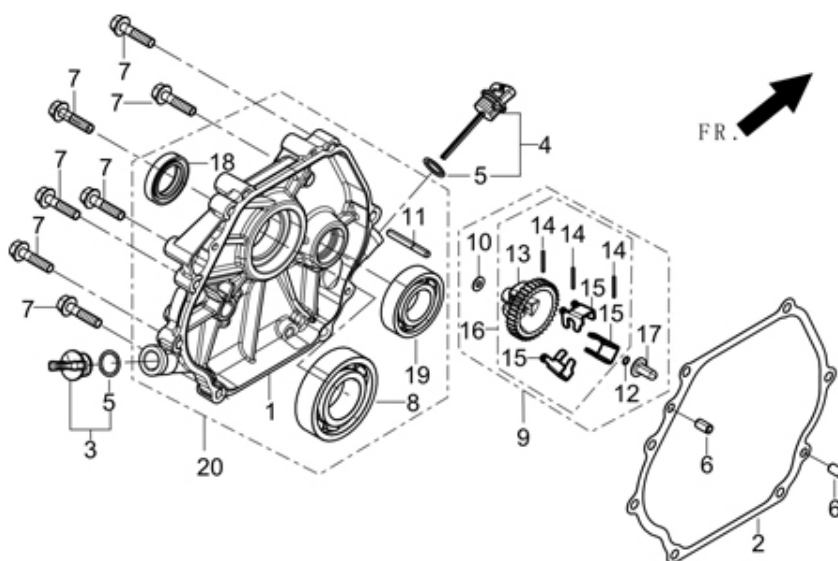
REF.NO.	PART NO	DESCRIPTION	Q'TY	Nb packet
E04-5	12131-Z570110-0000	GASKET, CYLINDER HEAD	1	1
E04-6	12410-Z580110-0000	COVER SUBASSEMBLY, CYLINDER HEAD	1	1
E04-7	12004-Z580110-0000	GASKET, CYLINDER HEAD COVER	1	1
E04-8	17004-Z100110-0000	TUBE, BREATHER	1	1
E04-9	12030-Z310110-0000	BOLT SUBASSEMBLY, CYLINDER HEAD COVER	1	1
E04-12	90204-Z100210-0000	STUD	2	1
E04-13	90204-Z100320-0000	STUD	2	1
E04-14	90502-1220-00	PIN	2	1
E04-15	12003-Z080110-0000	BOLT, CYLINDER HEAD	4	1
E04-16	30010-Z010210-0000	PLUG, SPARK	1	1
E04-17	12140-Z570120-0B00	HEAD SUBASSEMBLY, CYLINDER	1	1

FIG.2 CRANKCASE. (E01)



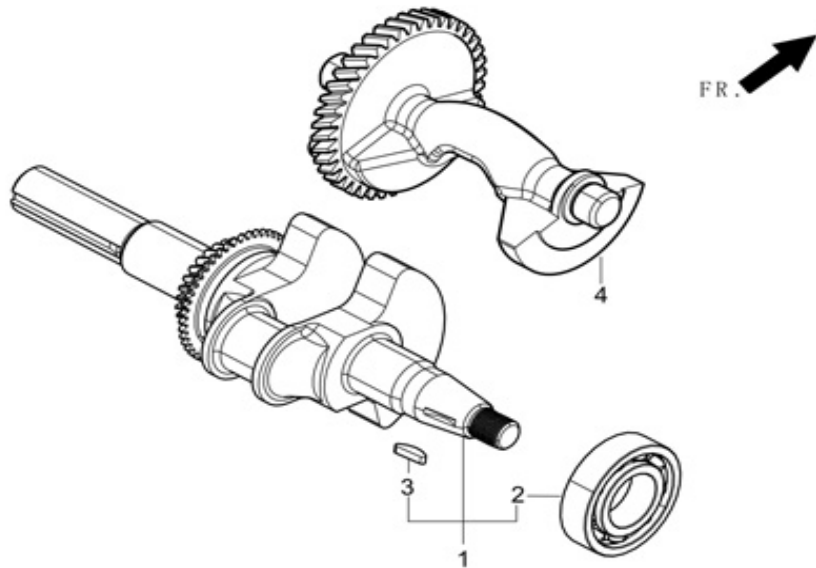
REF.NO.	PART NO	DESCRIPTION	Q'TY	Nb packet
E17-1	11310-Z570110-0B00	CRANKCASE SUBASSEMBLY.	1	1
E17-2	90682-Z310110-0000	SEAL, OIL	1	1
E17-3	37060-Z080110-0000	SENSOR, ENGINE OIL	1	1
E17-4	16612-Z080110-H300	FRAME, FUEL TANK INSTALLTION	1	1
E17-5	28101-Z080110-0000	PLUG, RUBBER	1	1
E17-6	37050-Z010210-0000	PROTECTOR, OIL	1	1
E17-7	90001-0612-01	BOLT	1	1
E17-8	90412-Z080110-0000	WASHER	2	1
E17-9	11007-Z080110-0000	BOLT, DRAIN PLUG	2	1
E17-10	90684-Z030120-0000	CLIP	1	1
E17-11	16061-Z100110-0000	ARM, GOVERNOR	1	1
E17-12	90682-Z100210-0000	SEAL, OIL	1	1
E17-13	90501-Z010110-0000	PIN	1	1
E17-14	90001-0820-01	BOLT	4	1
E17-17	90001-0616-01	BOLT	2	1
E17-18	90412-Z080210-0000	WASHER	1	1
E17-19	90548-0202-CL	BEARING	1	1

FIG.3 COVER SUBASSEMBLY, CRANKCASE / GEAR ASSY, GOVERNOR(I



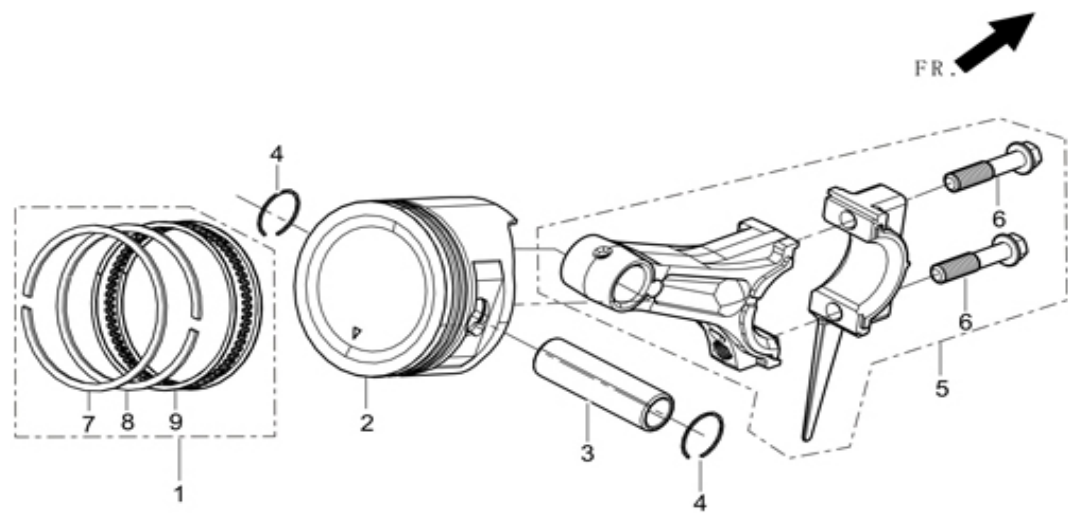
REF.NO.	PART NO	DESCRIPTION	Q'TY	Nb packet
E01-1	11411-Z570110-0B00	COVER , CRANKCASE	1	1
E01-2	11001-Z570110-0000	GASKET, CRANKCASE	1	1
E01-3	15030-Z080120-Q500	PLUG SUBASSEMBLY, ENGINE OIL	1	1
E01-4	15010-Z080120-Q500	DIPSTICK SUBASSEMBLY, OIL	1	1
E01-6	90502-0912-00	PIN	2	1
E01-7	90001-0840-01	BOLT	7	1
E01-8	90548-0207-CL	BEARING	1	1
E01-9	16400-Z100110-0000	GEAR ASSY, GOVERNOR	1	1
E01-18	90682-Z310110-0000	SEAL, OIL	1	1
E01-19	90548-0202-CL	BEARING	1	1

FIG.4 ROD,CRANKSHAFT CONNETING (E03)



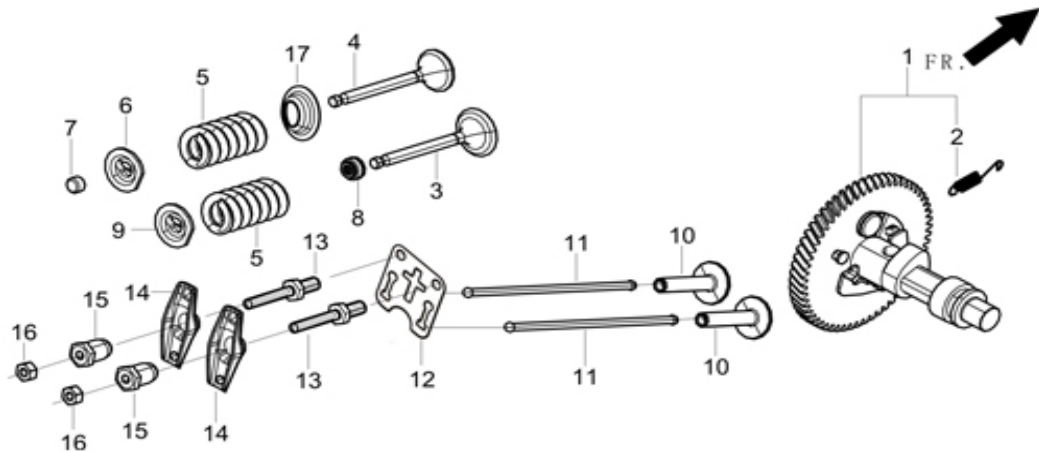
REF.NO.	PART NO	DESCRIPTION		Q'TY	Nb packet
E03-1	13300-Z100720-0000	CRANKSHAFT ASSY.		1	1
E03-4	13401-Z100110-0000	BALANCING SHAFT		1	1

FIG.5 RING SET,OIL / ROD,CRANKSHAFT CONNETING (E03)



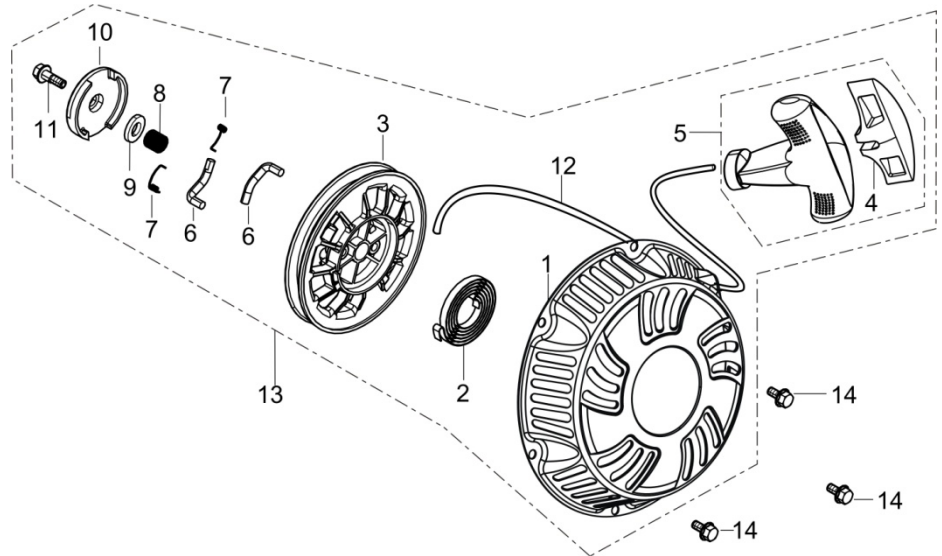
REF.NO.	PART NO	DESCRIPTION	Q'TY	Nb packet
E04-2	13111-Z570110-0000	PISTON	1	1
E04-3	13121-Z570110-0000	PIN, PISTON	1	1
E04-4	13122-Z100110-0000	CLIP, PISTON PIN	2	1
E04-5	13010-Z100110-0000	ROD, CONNECTING	1	1
E04-7	13201-Z570110-0000	RING, THE FIRST	1	1
E04-8	13202-Z570110-0000	RING, THE SECON	1	1
E04-9	13210-Z570110-0000	RING SET, OIL	1	1

FIG.6 TRAIN,VALVE / CAMSHAFT SUBASSEMBLY (E05)



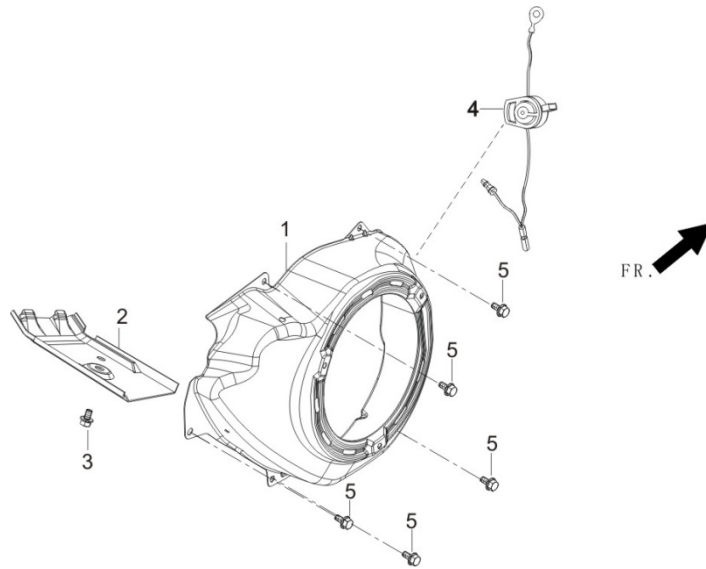
REF.NO.	PART NO	DESCRIPTION	Q'TY	Nb packet
E04-1	14200-Z580110-0000	CAMSHAFT ASSY.	1	1
E04-3	12111-Z100110-0000	VALVE, INTAKE	1	1
E04-4	12121-Z100110-0000	VALVE, EXHAUST	1	1
E04-5	12103-Z080110-0000	SPRING, VALVE	2	1
E04-6	12107-Z080110-0000	RETAINER, EXHAUST VALVE	2	1
E04-7	12104-Z080110-0000	RATATOR, VALVE	1	1
E04-8	12101-Z080110-0000	GUIDE, SEAL	1	1
E04-9	12112-Z080110-0000	RETAINER, VALVE SPRING	1	1
E04-10	14081-Z580110-0000	LIFTER, VALVE	2	1
E04-11	14070-Z570110-0000	TAPPET, VALVE	2	1
E04-12	14090-Z580110-0000	PLATE SUBASSEMBLY, LIFTER STOPPER	1	1
E04-13	14313-Z010110-0000	BOLT, VALVE ADJUSTING	2	1
E04-14	14311-Z080110-0000	ROCKER, VALVE	2	1
E04-15	14314-Z010110-0000	NUT, VALVE ADJUSTING	2	1
E04-16	14312-Z010110-0000	NUT, VALVE LOCK	2	1
E04-17	12105-Z080110-0000	RETAINER, VALVE SPRING	1	1

FIG.7 STARTER,RECOIL (E08)



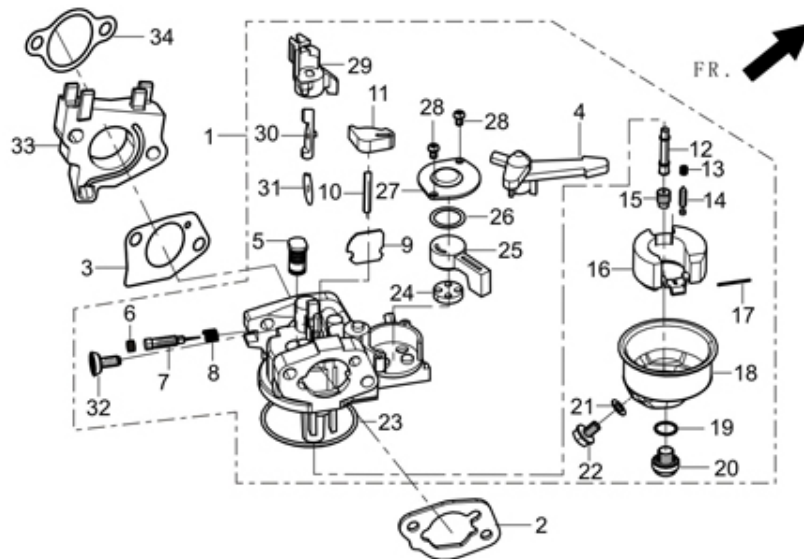
REF.NO.	PART NO	DESCRIPTION	Q'TY	Nb packet
E08-14	90001-0608-01	BOLT	3	1
E08-13	28200-Z101210-Y100	STARTER ASSY, RECOIL	1	1

FIG.8 SHROUD / SHIELD,LOWER (E14)



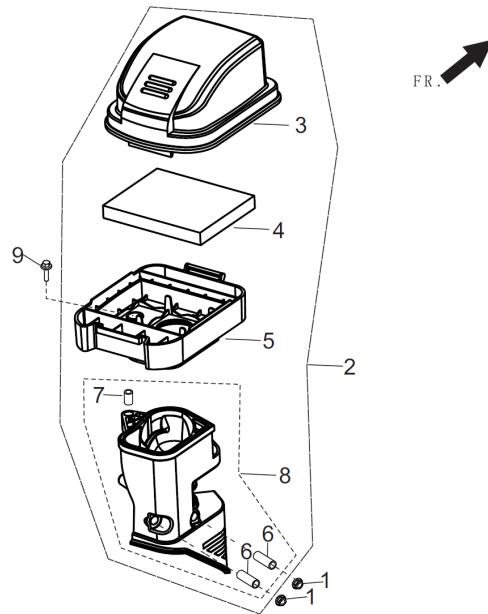
REF.NO.	PART NO	DESCRIPTION		Q'TY	Nb packet
E14-1	28110-Z310410-Y100	SHROU		1	1
E14-2	19304-Z100110-0000	SHROU, CYLINER BOY		1	1
E14-3	90001-0612-01	BOLT		1	1
E14-4	35540-Z060120-Q200	SWITCH SUBASSEMBLY, STOP ENGINE		1	1
E14-7	90001-0612-01	BOLT		5	1

FIG.9 CARBURETOR ASSY. (E11)



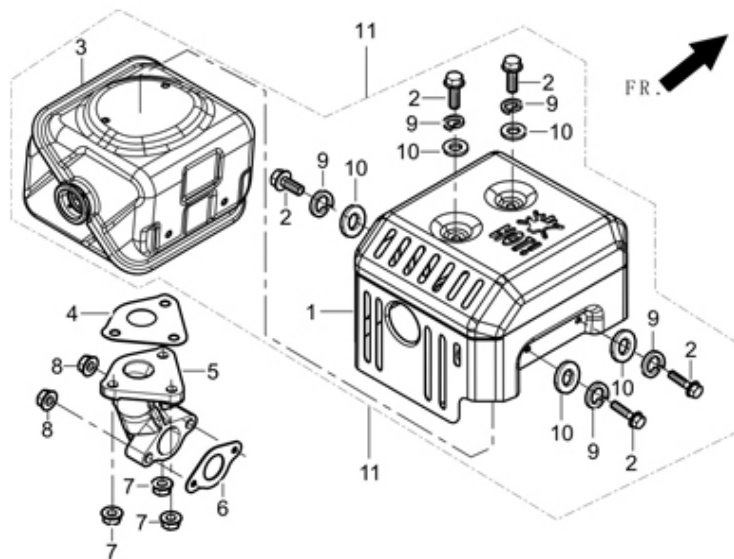
REF.NO.	PART NO	DESCRIPTION	Q'TY	Nb packet
E11-1	16100-Z570110-0000	CARBURETOR ASSY.	1	1
E11-2	17001-Z080210-0000	GASKET, AIR CLEANER	1	1
E11-3	16001-Z100110-0000	GASKET, CARBURETOR	1	1
E11-33	16003-Z100110-0000	PLATE, CARBURETOR INSULATOR	1	1
E11-34	17002-Z100110-0000	GASKET, CARBURETOR INSULATOR	1	1

FIG.10 CLEANER, AIR (F02)



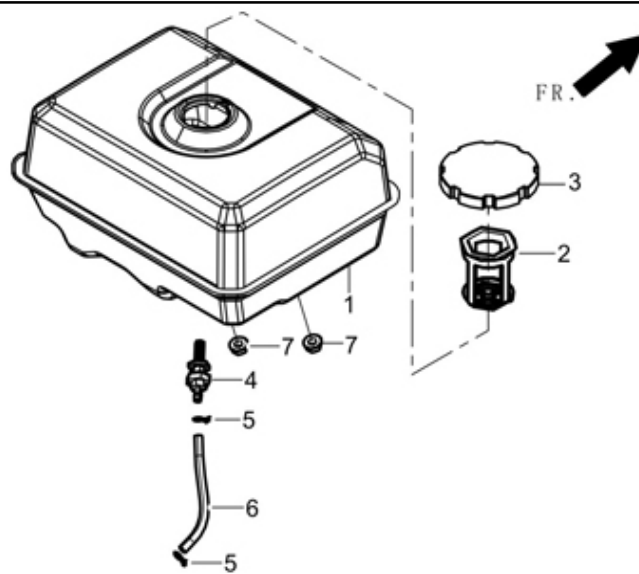
REF.NO.	PART NO	DESCRIPTION	Q'TY	Nb packet
F02-1	90305-0600-31	NUT	2	1
F02-2	17100-Z570120-0000	CLEANER, AIR	1	1
F02-9	90001-0630-01	BOLT	1	1

FIG.11 MUFFLER ASSY. (F04)



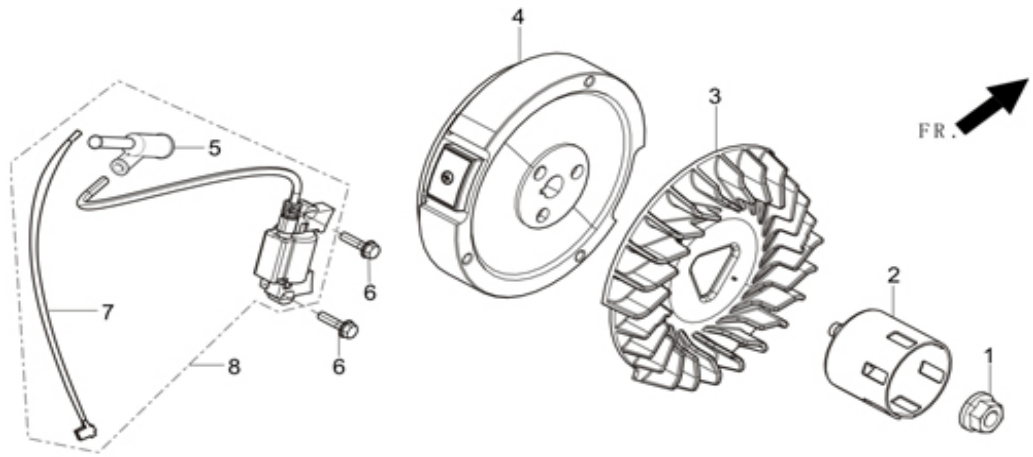
REF.NO.	PART NO	DESCRIPTION	Q'TY	Nb packet
F04-4	18101-Z080110-0000	BLOCK, MUFFLER SEAT REINFORCING	1	1
F04-5	18150-Z580110-0000	PIPE, EXHAUST	1	1
F04-6	18001-Z580110-0000	GASKET, EXHAUST OUTLET	1	1
F04-7	90305-0800-31	NUT	3	1
F04-8	90305-0800-31	NUT	2	1
F04-11	18100-Z570310-0000	MUFFLER ASSY.	1	1

FIG.12 TANK ASSY, FUEL (F01)



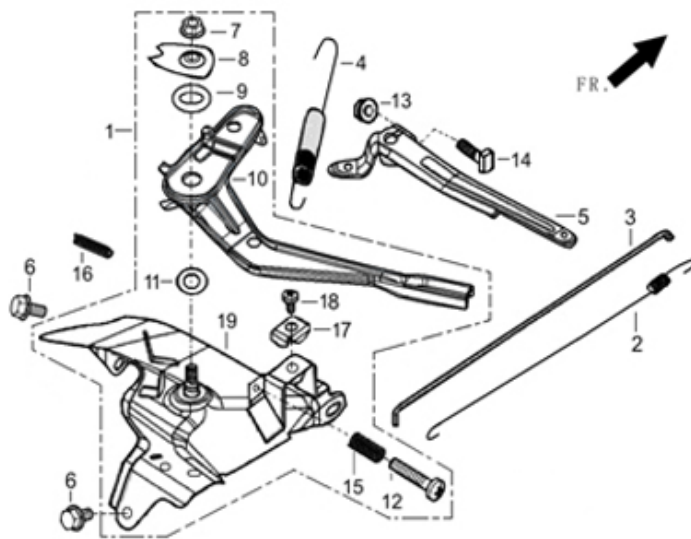
REF.NO.	PART NO	DESCRIPTION	Q'TY	Nb packet
F01-1	16620-Z090110-Y100	TANK, FUEL	1	1
F01-2	16652-Z010110-0000	STRAINER, FUEL	1	1
F01-3	16730-Z440120-0000	COVER, FUEL TANK	1	1
F01-4	16680-Z010110-0000	OUTLET SUBASSEMBLY, FUEL TANK OIL	1	1
F01-5	90740-Z010210-0000	COLLAR	2	1
F01-6	90686-Z520110-0000	TUBE, FUEL	1	1
F01-7	90305-0800-31	NUT	2	1

FIG.13 FLYWHEEL / IMPELLER / STARTER PULLEY / IGNITION COIL (E



REF.NO.	PART NO	DESCRIPTION		Q'TY	Nb packet
E15-1	13501-Z080110-0000	NUT, FLYWHEEL		1	1
E15-2	28002-Z100210-0000	PULLEY,STARTER		1	1
E15-3	19352-Z100110-0000	IMPELLER		1	1
E15-4	13510-Z100120-0000	FLYWHEEL SUBASSEMBLY		1	1
E15-6	90001-0628-01	BOLT		2	1
E15-8	30400-Z080110-0000	COIL, IGNITION		1	1

FIG.14 CONTROL ASSY, THROTTLE (E13)



REF.NO.	PART NO	DESCRIPTION	Q'TY	Nb packet
E13-1	16520-Z100410-0000	CONTROL SUBASSEMBLY, THROTTLE	1	1
E13-2	16012-Z080110-0000	SPRING, THROTTLE VALVE RETURNING	1	1
E13-3	16062-Z100110-0000	ROD, GOVERNOR	1	1
E13-4	16063-Z100510-0000	SPRING, GOVERNOR	1	1
E13-5	16070-Z100110-0000	SUPPORT SUBASSEMBLY, GOVERNOR	1	1
E13-6	90001-0612-01	BOLT	2	1
E13-13	90305-0600-31	NUT	1	1
E13-14	16072-Z010110-0000	BOLT, GOVERNOR SUPPORT	1	1





