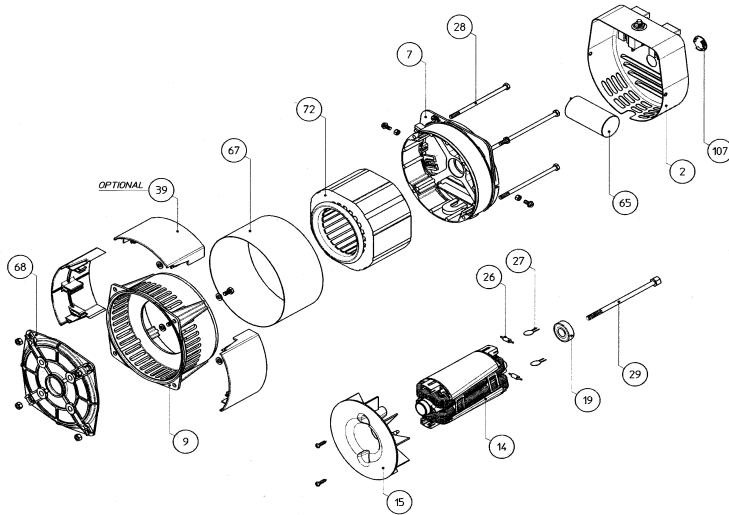


**ELENCO PARTI DI RICAMBIO / LIST OF SPARE PARTS / LISTE DES PIECES DETACHEES  
ERSATZTEILLISTE / LISTA PARTES DE REPUESTO**

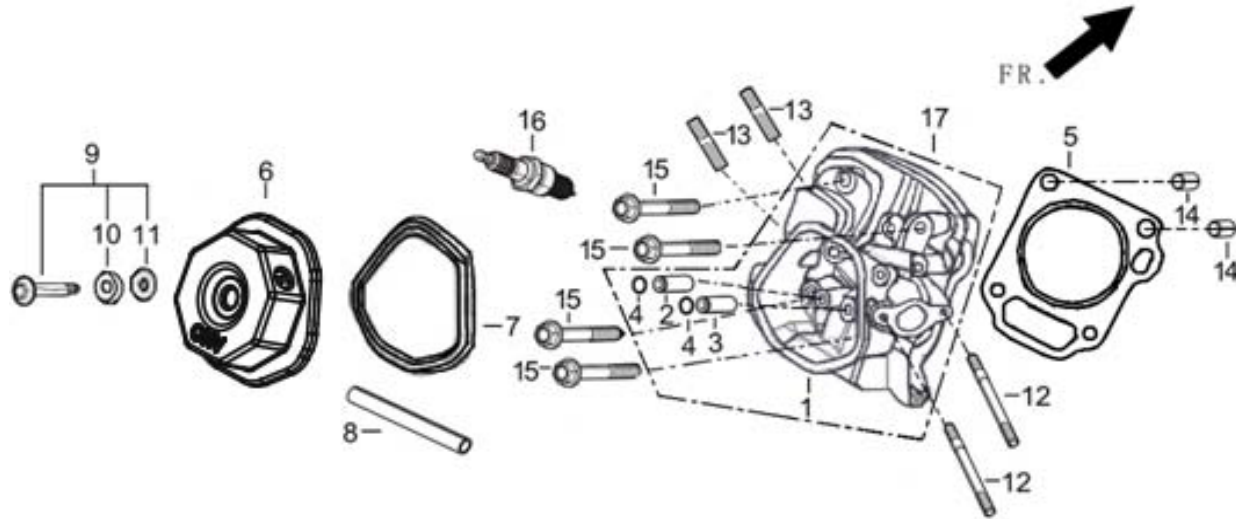


N°	DENOMINAZIONE	NAME	DESIGNATION	NAMEN	DENOMINACION	CODE
2	CUFFIA	TERMINAL BOX LID	COUVERCLE	DECKEL	TAPA	***
7	COPERCHIO POSTERIORE	NON DRIVE END BRACKET	FLASQUE ARRIERE	HINTERES GEHAUSE	TAPA POSTERIOR	03 903 02 217
9	COPERCHIO ANTERIORE	DRIVE END BRACKET	FLASQUE AVANT	VORDERES GEHAUSE	TAPA ANTERIOR	03 917 00 138
14	INDUTTORE ROTANTE	ROTOR ASSY	ROUE POLAIRE	ROTOR	INDUCTOR ROTANTE	***
15	VENTOLA	FAN	VENTILATEUR	LUFERRAD	VENTILADOR	03 920 00 042
19	CUSCINETTO POSTERIORE 6202-2RS1	REAR BEARING 6202-2RS1	ROULEMENT ARRIERE 6202-2RS1	HINTERES LAGER 6202-2RS1	COJINETE POSTERIOR 6202-2RS1	03 903 02 530
26	DIODO	DIODE	DIODE	DIODE	DIODO	99 103 56 205
27	VARISTORE	VARISTOR	VARISTOR	VARISTOR	VARISTOR	99 103 84 005
28	TIRANTE COPERCHI	COVER STAY BOLT	TIGE DE FLASQUE	STEBBOLZEN	TIRANTE DE LA TAPA	***
29	TIRANTE CENTRALE	SECURING STUD	TIGE CENTRALE	ZENTRIERSSTIFT	TIRANTE CENTRAL	***
39	PROTEZIONE IP23	IP23 PROTECTION	PROTECTION IP23	IP23 SCHUTZ	PROTECCION IP23	0390301887
65	CONDENSATORE	CAPACITOR	CONDENSATEUR	KONDENSATOR	CONDENSADOR	***
67	FASCIA DI CHIUSURA	ENCLOSING BAND	COUVERCLE DE PROTECTION	VERSCHLUSSBAND	BANDA DE COBERTURA	***
68	FLANGIA INTERCAMBIABILE	INTERCHANGEABLE FLANGE	FLASQUE DE LAISON	AUSTASCHBARER FLANSCH	BRIDA INTERCAMBIABILE	***
72	STATORE AVVOLTO	WOUND STATOR	STATOR BOBINE	GEWICKELTEN STATOR	ESTATOR BOBINADO	***
103	PRESA MONOFASE	SINGLEPHASE SOCKET	PRISE MONOPHASE	EINPHASIG STECKDOSEN	ENCHUFE MONOFASICA	***
107	TAPPO PER CUFFIA	RUBBER CAP	OBTURATEUR	GUMMISTOPPEN	GOMA PARA TAPA POSTERIOR	03 918 02 005
109	MAGNETOTERMICO	BREAKER	DISJONCTEUR MAGNETOTERMIQUE	UBERSTOMAUS-SCHALTER	PROTECTOR TERMICO	***
<b>VARIANTI CARICA BATTERIA / VARIOUS BATTERY CHARGING / VARIANTES CHARGE BATTERIE / BATTERIELADEGERATVARIANTEN / VARIANTES POR CARICA BATTERIA</b>						
25	PONTE RADDRIZZANTE MONOFASE	RECTIFYNG BRIDGE 1 PHASE	PONT REDRESSEUR MONOPHASE	BRUCKENGLEICRICHTER EINPHASIG	PUENTE RECTIFICADOR	03 914 00 607
36	MORSETTO CARICA BATTERIE ROSSO	BATTERY CHARGING TERMINAL RED	BORNE CHARGEUR BATTERIE ROUGE	BATTERIEAUFLADEKLEMMEN ROT	BORNE CARCADOR DE BATERIA ROJO	03 911 00 021
36	MORSETTO CARICA BATTERIE NERO	BATTERY CHARGING TERMINAL BLACK	BORNE CHARGEUR BATTERIE NOIRE	BATTERIEAUFLADEKLEMMEN SCHWARZ	BORNE CARCADOR DE BATERIA NEGRO	03 911 00 022
55	PORTA FUSIBILE	FUSE HOLDER	PORTE FUSIBLE	SICHERUNG HALTER	PORTA FUSIBLE	99 099 22 015
124	CAPPUCCIO ANTIACQUA	RUBBER WATER PROTECTION	CAPOUCHON	GUMMISTECKER	TAPON ANTI-AGUA	03 902 00 795

Nella richiesta di pezzi di ricambio specificare il tipo e il codice dell'alternatore / When requesting spare parts always indicate the alternator's type and code / Pour toute demande de pieces detachees, priere de mentionner le type et le code de l'alternateur / Bei Ersatzteilbestellung bitte immer die Teilbenennung den Typ und den code des Wechselstromgenerators angeben / En cada pedido de piezas de recambio especificar siempre el tipo y el codigo del alternador

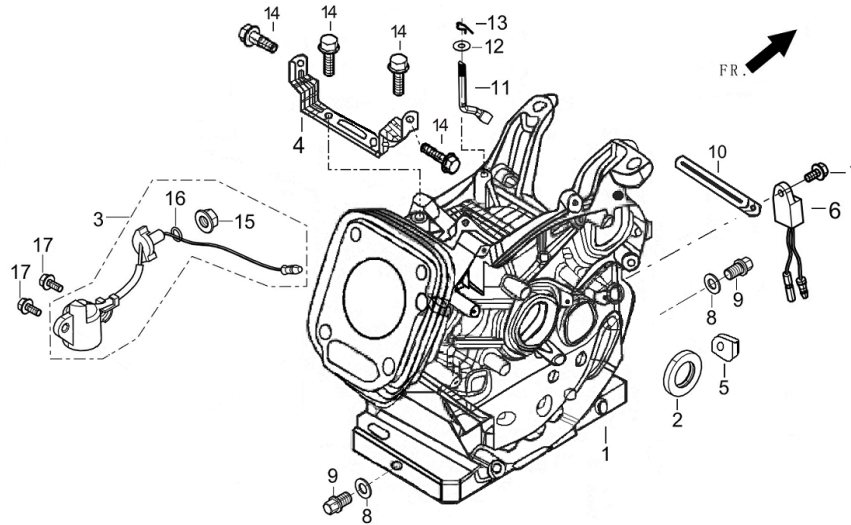
# R280

FIG.1 HEAD SUBASSEMBLY, CYLINDER / PLUG, SPARK (E04)



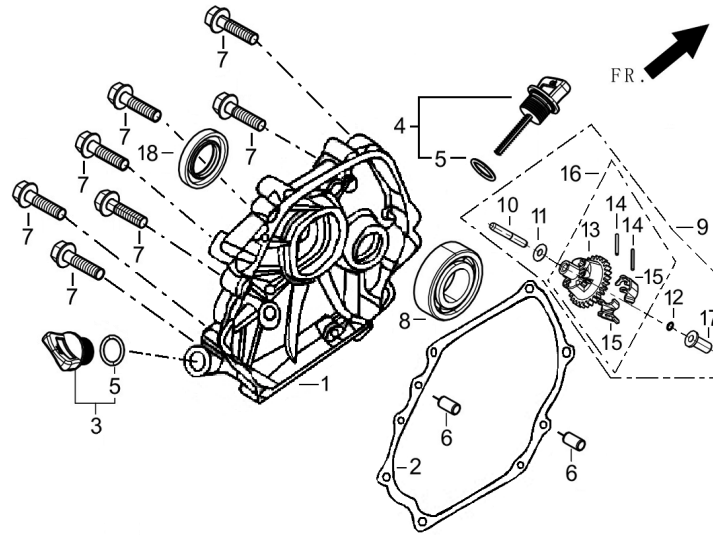
REF.NO.	PART NO	DESCRIPTION	Q'TY	Nb packet	
E04-5	12131-Z580110-0000	GASKET, CYLINDER HEAD	1	1	
E04-6	12410-Z580110-H300	COVER SUBASSEMBLY, CYLINDER HEAD	1	1	
E04-7	12004-Z580110-0000	GASKET, CYLINDER HEAD COVER	1	1	
E04-8	17004-Z080210-0000	TUBE, BREATHER	1	1	
E04-9	12030-Z310110-0000	BOLT SUBASSEMBLY, CYLINDER HEAD COVER	1	1	
E04-12	90204-Z080320-0000	STUD	2	1	
E04-13	90204-Z100320-0000	STUD	2	1	
E04-14	90502-1220-00	PIN	2	1	
E04-15	12003-Z080110-0000	BOLT, CYLINDER HEAD	4	1	
E04-16	30010-Z300110-0000	PLUG, SPARK	1	1	
E04-17	12140-Z580110-0000	HEAD SUBASSEMBLY, CYLINDER	1	1	

**FIG.2 CRANKCASE.(E01)**



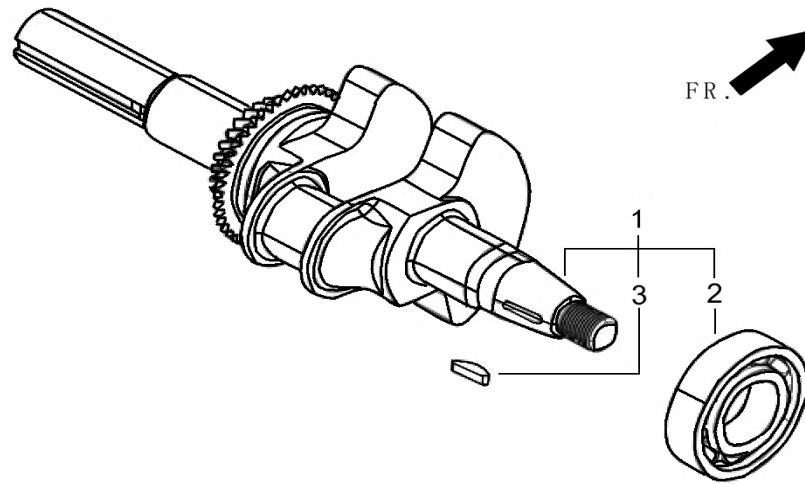
REF.NO.	PART NO	DESCRIPTION	QTY	Nb packet	
E17-1	11310-Z580110-0000	CRANKCASE SUBASSEMBLY.	1	1	
E17-2	90682-Z080110-0000	SEAL, OIL	1	1	
E17-3	37060-Z080110-0000	SENSOR, ENGINE OIL	1	1	
E17-4	16612-Z080110-H300	FRAME, FUEL TANK INSTALLTION	2	1	
E17-5	28101-Z080110-0000	PLUG, RUBBER	2	1	
E17-6	37050-Z010210-0000	PROTECTOR, OIL	1	1	
E17-7	90001-0612-01	BOLT	1	1	
E17-8	90412-Z080110-0000	WASHER	2	1	
E17-9	11007-Z080110-0000	BOLT, DRAIN PLUG	2	1	
E17-10	90684-Z030120-0000	CLIP	1	1	
E17-11	16061-Z080110-0000	ARM, GOVERNOR	1	1	
E17-12	90412-Z080210-0000	WASHER	1	1	
E17-13	90501-Z010110-0000	PIN	1	1	
E17-14	90001-0820-03	BOLT	4	1	
E17-17	90001-0616-01	BOLT	2	1	

**FIG.3 COVER SUBASSEMBLY, CRANKCASE / GEAR ASSY, GOVERNOR (E16)**



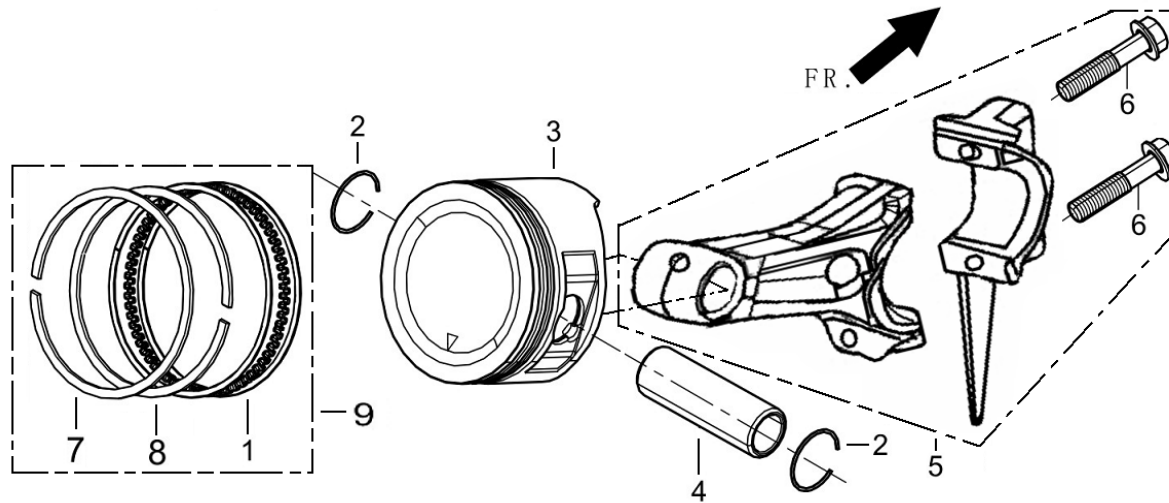
REF.NO.	PART NO	DESCRIPTION	Q'TY	Nb packet	
E01-1	11411-Z580110-0000	COVER, CRANKCASE	1	1	
E01-2	11001-Z580110-0000	GASKET, CRANKCASE	1	1	
E01-3	15030-Z080110-Q600	PLUG SUBASSEMBLY, ENGINE OIL	1	1	
E01-4	15010-Z080110-Q600	DIPSTICK SUBASSEMBLY, OIL	1	1	
E01-6	90502-0912-00	PIN	2	1	
E01-7	90001-0835-01	BOLT	7	1	
E01-8	90547-0206-00	BEARING	1	1	
E01-9	16400-Z080110-0000	GEAR ASSY, GOVERNOR	1	1	
E01-18	90682-Z080110-0000	SEAL, OIL	1	1	

FIG.4 ROD,CRANKSHAFT CONNETING (E03)



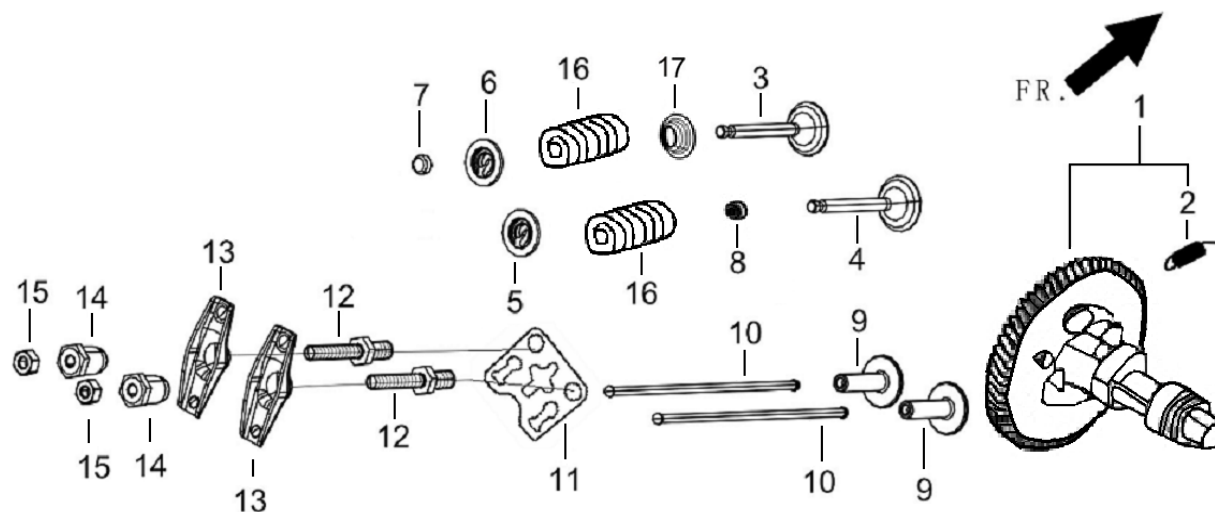
REF.NO.	PART NO	DESCRIPTION	Q'TY	Nb packet	
E03-1	13300-Z580210-0000	CRANKSHAFT ASSY.	1	1	

**FIG.5 RING SET,OIL / ROD,CRANKSHAFT CONNETING (E03)**



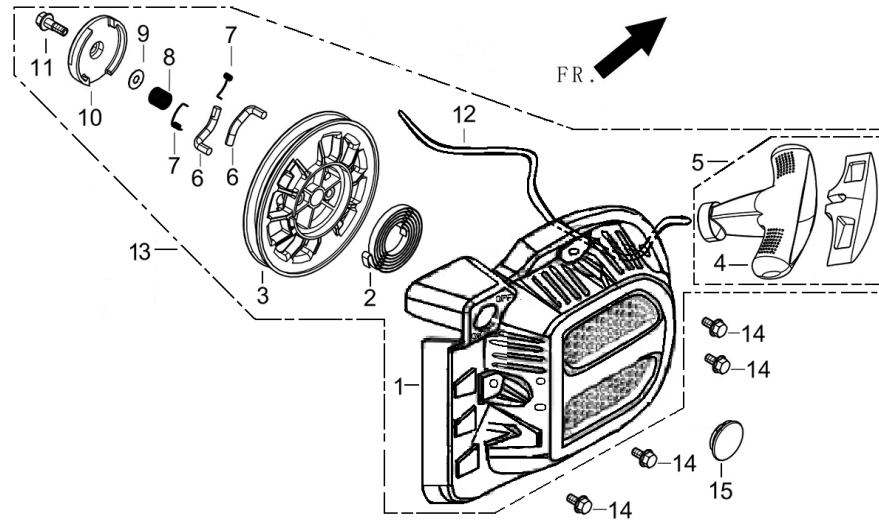
REF.NO.	PART NO	DESCRIPTION	QTY	Nb packet
E04-1	13210-Z580110-0000	RING SET, OIL	1	1
E04-2	13122-Z010110-0000	CLIP, PISTON PIN	2	1
E04-3	13111-Z580110-0000	PISTON	1	1
E04-4	13121-Z580110-0000	PIN, PISTON	1	1
E04-5	13010-Z580110-0000	ROD, CONNECTING	1	1
E04-7	13201-Z580110-0000	RING, THE FIRST	1	1
E04-8	13202-Z580110-0000	RING, THE SECOND	1	1

**FIG.6 TRAIN,VALVE / CAMSHAFT SUBASSEMBLY (E05)**



REF.NO.	PART NO	DESCRIPTION	QTY	Nb packet
E04-1	14200-Z580110-0000	CAMSHAFT ASSY.	1	1
E04-3	12121-Z080110-0000	VALVE, EXHAUST	1	1
E04-4	12111-Z080110-0000	VALVE, INTAKE	1	1
E04-5	12112-Z080110-0000	SEAT, VALVE SPRING	1	1
E04-6	12107-Z080110-0000	RETAINER, EXHAUST VALVE	1	1
E04-7	12104-Z080110-0000	ROTATOR, VALVE	1	1
E04-8	12101-Z080110-0000	GUIDE, SEAL	1	1
E04-9	14081-Z580110-0000	TAPPET, VALVE	2	1
E04-10	14070-Z580110-0000	LIFTER SUBASSEMBLY, VALVE	2	1
E04-11	14090-Z580110-0000	PLATE SUBASSEMBLY, LIFTER STOPPER	1	1
E04-12	14313-Z010110-0000	BOLT, VALVE ADJUSTING	2	1
E04-13	14311-Z080110-0000	ROCKER, VALVE	2	1
E04-14	14314-Z010110-0000	NUT, VALVE ADJUSTING	2	1
E04-15	14312-Z010110-0000	NUT, VALVE LOCK	2	1
E04-16	12103-Z080110-0000	SPRING, VALVE	2	1
E04-17	12105-Z080110-0000	RETAINER, VALVE SPRING	1	1

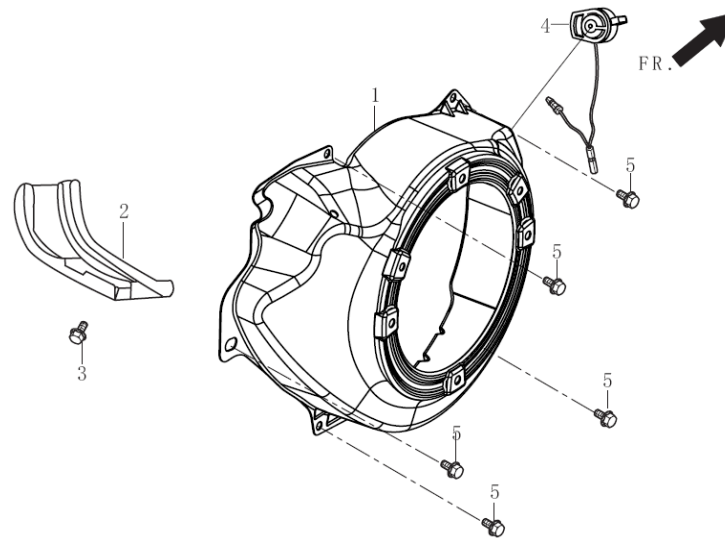
**FIG.7 STARTER,RECOIL (E08)**



REF.NO.	PART NO	DESCRIPTION	QTY	Nb packet	
E08-13	28200-Z080120-Q200	STARTER ASSY, RECOIL	1	1	
E08-14	90001-0612-03	BOLT	4	1	
E08-15	28102-Z010110-0000	CAP, RECOIL STARTER REEL END	1	1	

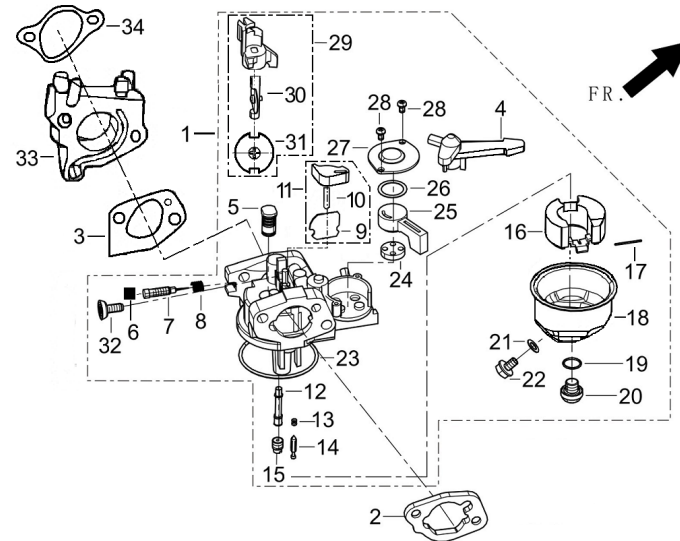


## FIG.8 SHROUD / SHIELD,LOWER (E14)



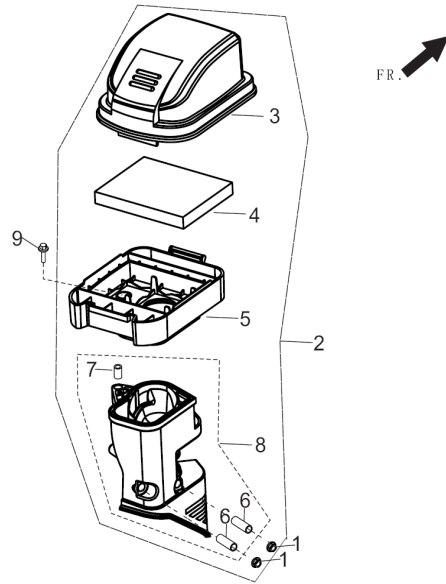
REF.NO.	PART NO	DESCRIPTION	Q'TY	Nb packet	
E14-1	28110-Z080410-R800	SHROUD	1	1	
E14-2	19304-Z080110-0000	SHROUD, CYLINDER BODY	1	1	
E14-3	90001-0612-01	BOLT	1	1	
E14-4	35540-Z060120-0000	SWITCH SUBASSEMBLY, STOP ENGINE	1	1	
E14-5	90001-0612-01	BOLT	5	1	

**FIG.9 CARBURETOR ASSY. (E11)**



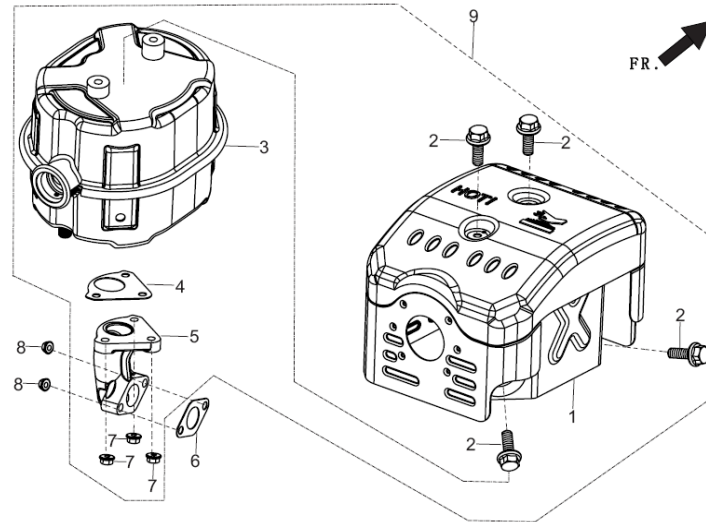
REF.NO.	PART NO	DESCRIPTION	Q'TY	Nb packet
E11-1	16100-Z580210-0000	CARBURETOR ASSY.	1	1
E11-2	17001-Z080210-0000	GASKET, AIR CLEANER	1	1
E11-3	16001-Z080110-0000	GASKET, CARBURETOR	1	1
E11-33	16003-Z080110-0000	PLATE, CARBURETOR INSULATOR	1	1
E11-34	17002-Z080110-0000	GASKET, INLET	1	1

# FIG.10 CLEANER, AIR (F02)



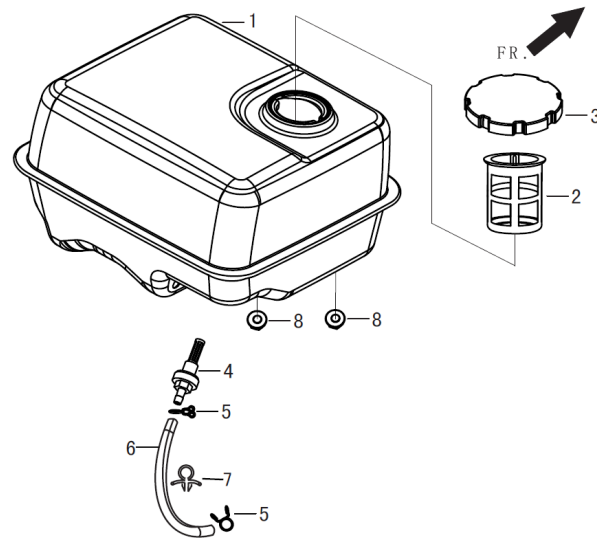
REF.NO.	PART NO	DESCRIPTION	Q'TY	Nb packet
E04-1	90305-0600-33	NUT	2	1
E04-2	17100-Z580110-0000	CLEANER, AIR	1	1
E04-9	90001-0620-01	BOLT	1	1

**FIG.11 MUFFLER ASSY. (F04)**



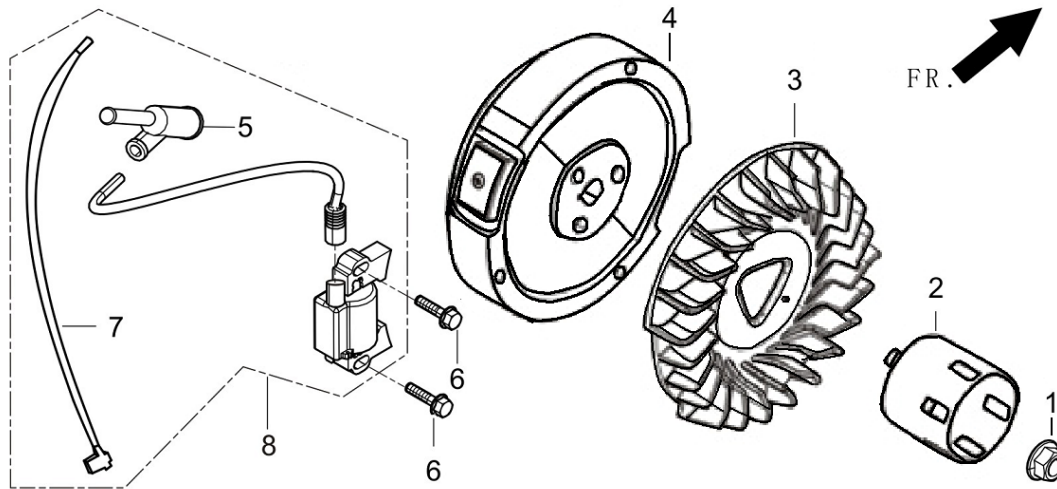
REF.NO.	PART NO	DESCRIPTION	Q'TY	Nb packet	
F04-6	18001-Z580110-0000	GASKET, EXHAUST OUTLET	1	1	
F04-7	90305-0800-33	NUT	3	1	
F04-8	90305-0800-33	NUT	2	1	
F04-9	18100-Z580110-0000	MUFFLER ASSY.	1	1	

**FIG.12 TANK ASSY, FUEL (F01)**



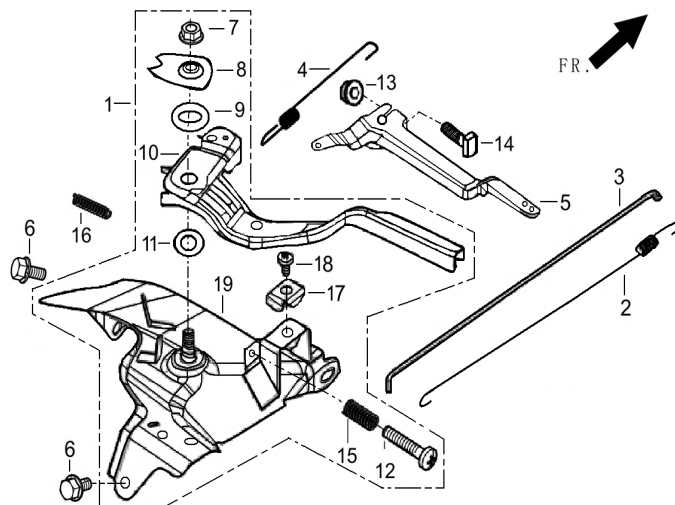
REF.NO.	PART NO	DESCRIPTION	Q'TY	Nb packet	
F01-1	16620-Z310110-R800	TANK, FUEL	1	1	
F01-2	16652-Z010110-0000	STRAINER, FUEL	1	1	
F01-3	16730-Z300110-0300	COVER, FUEL TANK	1	1	
F01-4	16680-Z010110-0000	OUTLET SUBASSEMBLY, FUEL TANK OIL	1	1	
F01-5	90740-Z010210-0000	COLLAR	2	1	
F01-6	90686-Z080310-0000	TUBE, FUEL	1	1	
F01-7	90684-Z080110-0000	CLIP	1	1	
F01-8	90305-0800-31	NUT	2	1	

**FIG.13 FLYWHEEL / IMPELLER / STARTER PULLEY / IGNITION COIL (E15)**



REF.NO.	PART NO	DESCRIPTION	QTY	Nb packet
E15-1	13501-Z080110-0000	NUT, FLYWHEEL	1	1
E15-2	28002-Z080310-0000	PULLEY,STARTER	1	1
E15-3	19352-Z080110-0000	IMPELLER	1	1
E15-4	13510-Z580110-0000	FLYWHEEL SUBASSEMBLY	1	1
E15-6	90001-0628-01	BOLT	2	1
E15-8	30400-Z080110-0000	COIL, IGNITION	1	1

**FIG.14 CONTROL ASSY, THROTTLE (E13)**



REF.NO.	PART NO	DESCRIPTION	Q'TY	Nb packet	
E13-1	16520-Z080310-0000	CONTROL ASSY, THROTTLE	1	1	
E13-2	16012-Z080110-0000	SPRING, THROTTLE VALVE RETURNING	1	1	
E13-3	16062-Z080110-0000	ROD, GOVERNEOR	1	1	
E13-4	16063-Z080120-0000	SPRING, GOVERNOR	1	1	
E13-5	16070-Z080110-0000	SUPPORT SUBASSEMBLY, GOVERNOR	1	1	
E13-6	90001-0612-01	BOLT	2	1	
E13-13	90305-0600-31	NUT	1	1	
E13-14	16072-Z010110-0000	BOLT, GOVERNOR SUPPORT	1	1	