



**Robin Generator**

**Model      RG3200iS**

**For DEU**

**PARTS CATALOG**

**Spec. No. RAS32017510**  
**(E/G Spec. No. EX210DS2040)**

**富士重工業株式会社**  
**FUJI HEAVY INDUSTRIES LTD.**

<b>ISSUE EMD-GP6022</b>	
<b>ISSUE DATE</b>	<b>2004.05</b>

# HOW TO USE THIS PARTS CATALOG

REF.	PART NUMBER	PART NAME	QTY.	REMARKS	CODE NO. FROM-TO	INTERCHANGEABLE PART NUMBER	UNIT PRICE	FIG.
① 6 FUEL LUBRICANT								
10	281-60101-01	FUEL TANK CP	1	2. 8L NEW R YELLOW	-			600
20	073-20044-50	LABEL (CAUTION)	1	38X70	-			600
30	043-04300-15	FUEL TANK CAP CP	1	43DX68DX14H	5296-			600
	043-04301-00	FUEL TANK CAP CP	1		-5295			600
40	064-13600-10	FUEL FILTER	1	36DX46DX43H	-			600
50	064-20064-00	FUEL STRAINER AY	1		-			630
- 1	064-20064-20	FILTER	1		-			630
- 2	064-20064-10	PACKING	1		-			630
- 3	064-20042-10	CUP, STRAINER	1		-			630

- ① **SECTION NAME** .....Parts are broadly classified according to their functions. Refer to section indexes(contents)for respective section name.
- ② **FIG.No.** .....It indicates illustration number. FIG.No. with the same figure in the third of hundreds shows that it is in a group of the same section. FIG.No. illustrating the target part can be read in the right-end section of the list.
- ③④ **REF.No.** .....It is a number to compare the part illustrated with the part number in the list.Serch for REF.No. in the list in the corresponding REF.No. in the illustration to determine the part number.  
Section ④ shows a 'SUB-ASSEMBLY PART' of section ③ which is indicated by the number led by '-' such as '-1','-2'.
- ⑤ **PART NUMBER** .....It is the number assigned for sales unit.  
Use the PART No. when marking an order.
- ⑥ **PART NAME**.....It is designation of the part.
- ⑦ **Q'ty**.....Quantity of part being employed for each product.
- ⑧ **REMARKS** ..... This gives a distinctive feature and/or a supplementary comment for the type,the specification, and the part concerned.
- ⑨ **INTERCHANGEABLE...**It shows part number(s) interchangeable for the part given in the section  
**PART NUMBER** ⑤.
- ⑩ **CODE No.** .....It indicates history of progress in which improved parts have been introduced in the product.The CODE No. helps to identify PART No. being employed in the product concerned.

—	The part has been employed in the product irrespective of CODE No.
5296—	The part is employed in the products with CODE No. of 5296 and after this number.
—5295	The part is employed in the products with CODE No. of 5295 and before this number.

## Table of abbreviations / 略語一覽

ABBREVIATIONS/略語	DESCRIPTION	説明
A	AMPERE	アンペア
AC	AIR CLEANER	エアクリーナ
AY	ASSEMBLY	アッセンブリ
B	BREADTH	幅
BB	BALL BEARING	ボールベアリング
CD	CENTER DISTANCE	中心間距離
CP	COMPLETE	コンプリート
CY	CYLINDER	シリンダ
D	DIAMETER	内径、外径、中心径
EX	EXPORT	輸出
EX	EXHAUST	排気
FIG	FIGURE	フィギュア (図解)
FR	FRONT	前側
H	HEIGHT	高さ
HZ	HERTZ	ヘルツ
IN	INCH	インチ
IN	INTAKE	吸入
L	LITER	リットル
L	LENGTH	長さ
LH	LEFT HAND	左側
MG	MAGNETIC	マグネチック
N	NUMBER	数、巻数
N R Y	NEW ROBIN YELLOW	新ロビン色
OS	OIL SENSOR	オイルセンサ
O. S.	OVER SIZE	オーバーサイズ
P	PITCH	ピッチ
PD	PITCH DIAMETER	中心径
PTO	POWER TAKE OFF	動力取出し
REF	REFERENCE	レファレンス (照合)
RH	RIGHT HAND	右側
RR	REAR	後側
ST	STARTER MOTOR	スターターモータ
STD	STANDARD	標準
SW	SPRING WASHER	スプリングワッシャ
SW	SWITCH	スイッチ
T	THICKNESS	厚さ
TH	THROTTLE	スロットル
UN	UNIT	ユニット
U. S.	UNDER SIZE	アンダーサイズ
V	VOLTAGE	ボルト
W	WASHER	ワッシャ
W	WATT	ワット
W	WIDTH	幅
W/	WITH	付き
W/O	WITHOUT	無し

# CONTENTS

## ENGINE PARTS

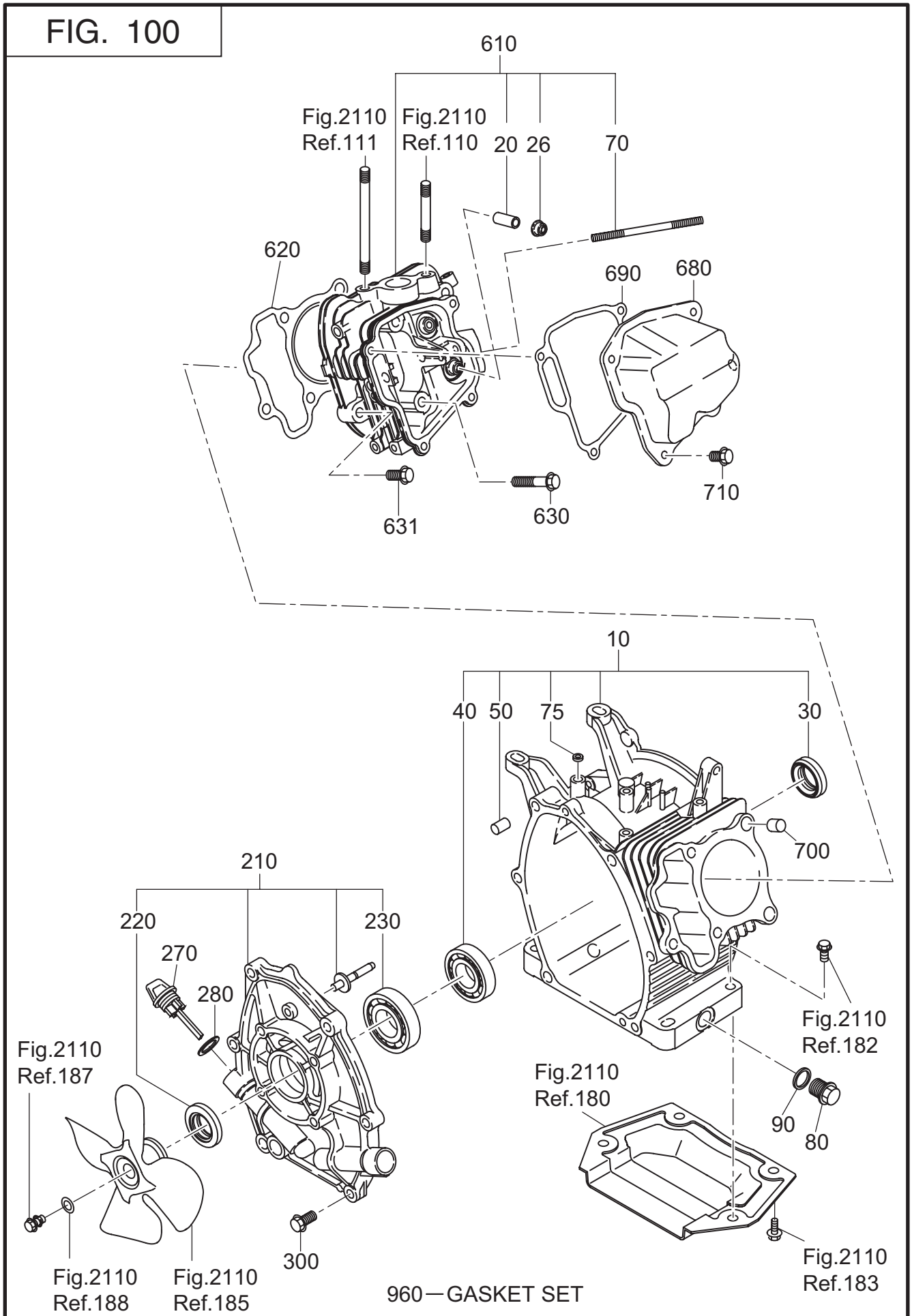
		FIG.	PAGE
1	CRANK CASE	100	1
2	CRANKSHAFT, PISTON	200	3
3	INTAKE, EXHAUST	300	5
4	GOVERNER, OPERATION	400	7
5	COOLING, STARTING	500	9
7	ELECTRIC DEVICE	700-720	11

## GENERATOR PARTS

21	ENGINE	2110·2130·2150·2160·2170	14
	(INC. MUFFLER, AIR CLEANER, RECOIL STARTER, CARBURETOR, ELECTRIC DEVICE)		
22	GENERATOR	2200	21
23	BASE, FRAME	2300	23
24	CONTROL	2400	25
25	COVER	2500·2510	28
26	FUEL TANK	2600	32
29	ACCESSORIES	2900	34

<b>PARTS NUMBER INDEX LIST</b>	<b>36</b>
--------------------------------	-----------

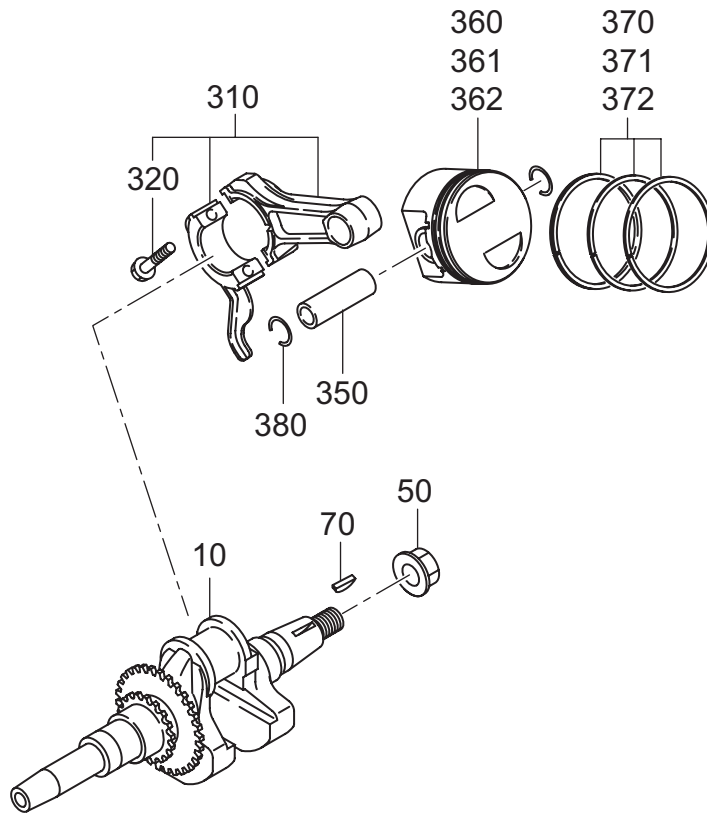
FIG. 100



# 1 CRANK CASE

REF.	PARTS NUMBER	PARTS NAME	QTY	REMARKS	CODE NO. FROM-TO	INTERCHANGEABLE PART NUMBER	UNIT PRICE	FIG.
10	278-10102-41	CRANK CASE CP	1		-			100
20	237-14202-03	VALVE GUIDE	2	O. S.	-			100
26	277-16010-01	STEM SEAL	1		-			100
30	044-02502-00	OIL SEAL	1		-			100
40	060-02800-21	BALL BEARING	1		-			100
50	277-15011-03	PIPE KNOCK	2		-			100
70	010-50603-51	STUD	2	6DX98L	-			100
75	044-00600-20	OIL SEAL	1		-			100
80	040-11400-30	PLUG	2		-			100
90	021-11400-20	GASKET	2		-			100
210	277-11001-31	MAIN BEARING COVER C	1		-			100
220	044-02502-10	OIL SEAL	1		-			100
230	060-02501-40	BALL BEARING	1		-			100
270	277-63601-13	OIL GAUGE	2		-			100
280	021-31600-20	GASKET	2		-			100
300	001-04083-50	FLANGE BOLT	6		-			100
610	278-13005-01	CYLINDER HEAD CP	1		-			100
620	277-15001-23	GASKET (HEAD)	1		-			100
630	011-00802-40	FLANGE BOLT	4	M8X68L	-			100
631	011-00803-10	FLANGE BOLT	1	M8X33L	-			100
680	277-15501-01	ROCKER COVER CP	1		-			100
690	277-16001-13	GASKET (ROCKER COVER)	1		-			100
700	277-15011-03	PIPE KNOCK	2		-			100
710	011-00600-20	FLANGE BOLT	4	M6X12L	-			100
960	277-99001-27	GASKET SET	1		-			100

FIG. 200

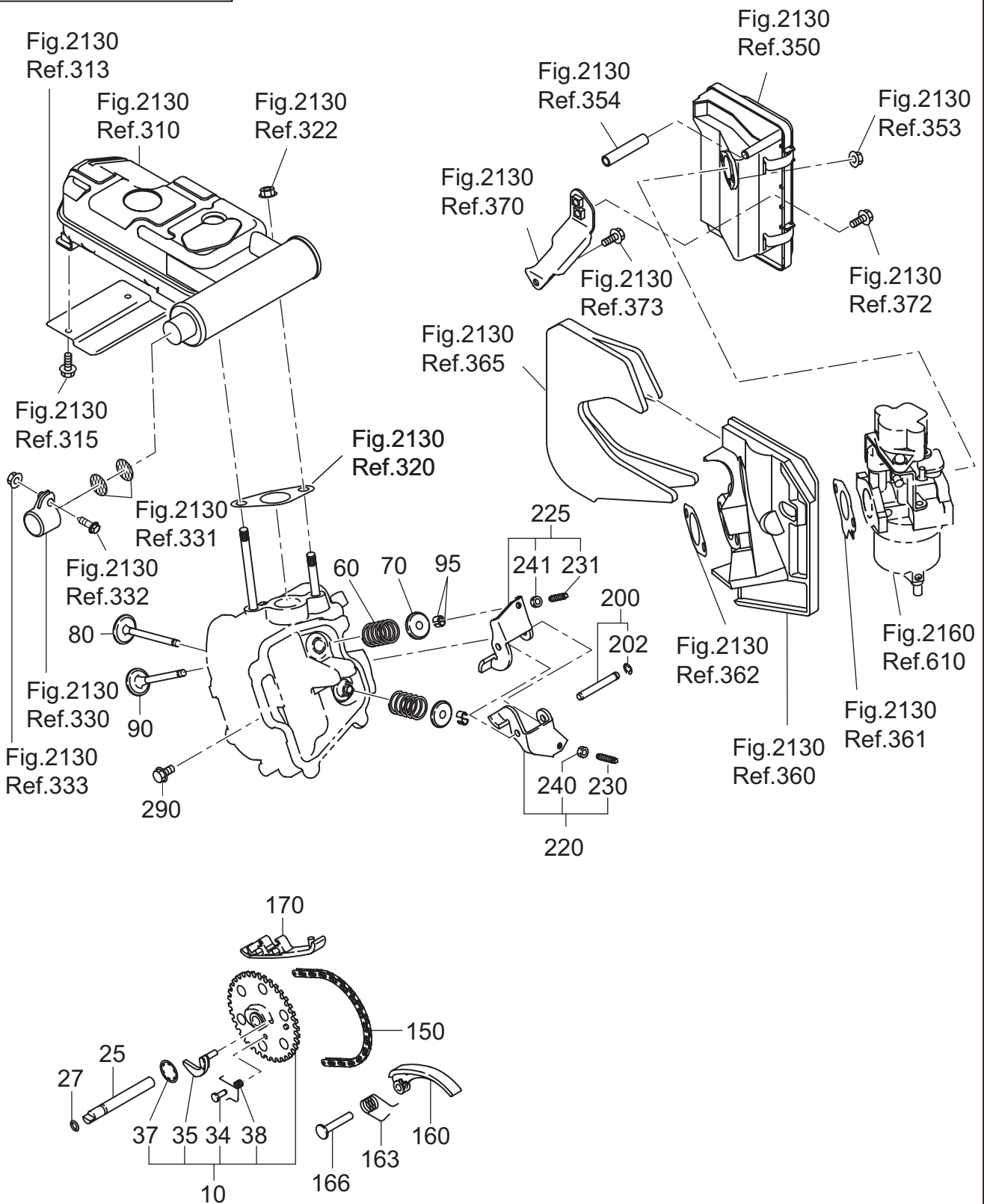


2 CRANKSHAFT, PISTON

REF.	PARTS NUMBER	PARTS NAME	QTY	REMARKS	CODE NO. FROM-TO	INTERCHANGEABLE PART NUMBER	UNIT PRICE	FIG.
10	278-20701-31	CRANKSHAFT CP	1		-			200
50	018-01400-20	FLANGE NUT	1		-			200
70	032-30300-10	WOODRUFF KEY	1	3X6 (D16)	-			200
310	278-22501-10	CONNECTING ROD AY	1		-			200
320	277-23001-03	CONNECTING ROD BOLT	2	M6	-			200
350	277-23301-03	PISTON PIN	1		-			200
360	277-23401-03	PISTON	1	STD. (67DX40H)	-			200
361	277-23403-03	PISTON	1	0.25 O.S. (67DX40H)	-			200
362	277-23404-03	PISTON	1	0.50 O.S. (67DX40H)	-			200
370	277-23501-17	PISTON RING SET	1	STD OIL 3 PIECES	-			200
371	277-23502-17	PISTON RING SET	1	0.25 O.S. OIL 3PIECE	-			200
372	277-23503-17	PISTON RING SET	1	0.50 O.S. OIL 3PIECE	-			200
380	056-51600-10	CLIP	2	D=1.4	-			200



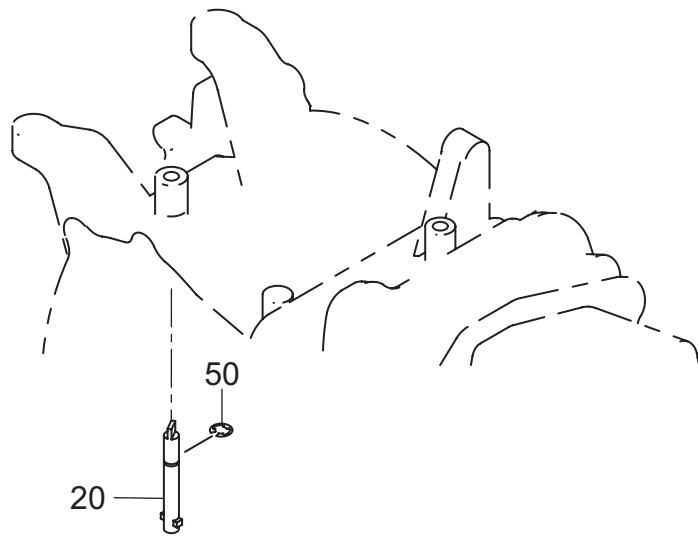
FIG. 300



### 3 INTAKE, EXHAUST

REF.	PARTS NUMBER	PARTS NAME	QTY	REMARKS	CODE NO. FROM-TO	INTERCHANGEABLE PART NUMBER	UNIT PRICE	FIG.
10	278-31601-11	CAM SHAFT CP	1		-			300
25	277-35101-03	PIN (CAM SHAFT)	1		-			300
27	024-00600-10	O RING	1		-			300
34	277-38601-03	PIN (SPRING)	1		-			300
35	277-36401-03	RELEASE LEVER	1		-			300
37	277-36501-03	CLIP	1		-			300
38	279-38701-13	RETURN SPRING	1		-			300
60	279-33601-03	VALVE SPRING	2		-			300
70	269-33701-03	SPRING RETAINER	2		-			300
80	277-33401-H3	INTAKE VALVE	1		-			300
90	277-33501-H3	EXHAUST VALVE	1		-			300
95	132-10KA0-31	COLLET-VALVE	4		-			300
150	278-35601-11	TIMING CHAIN CP	1		-			300
160	277-36911-03	TENTIONER	1		-			300
163	277-37101-03	SPRING (TENTIONER)	1		-			300
166	277-36902-03	PIN (TENTIONER)	1		-			300
170	277-36913-13	CHAIN GUIDE	1		-			300
200	277-35002-01	PIN (ROCKER) CP	1		-			300
202	003-13050-00	CLIP	1		-			300
220	277-36201-00	ROCKER ARM (IN) AY	1		-			300
225	277-36202-00	ROCKER ARM (EX) AY	1		-			300
230	014-90500-20	ADJUST SCREW	1	M5	-			300
231	014-90500-20	ADJUST SCREW	1	M5	-			300
240	017-00500-30	NUT	1	M5	-			300
241	017-00500-30	NUT	1	M5	-			300
290	011-00600-20	FLANGE BOLT	1	M6X12L	-			300

FIG. 400



4 GOVERNER, OPERATION

REF.	PARTS NUMBER	PARTS NAME	QTY	REMARKS	CODE NO. FROM-TO	INTERCHANGEABLE PART NUMBER	UNIT PRICE	FIG.
20	277-48601-03	PIN (BLIND)	1		-			400
50	003-13050-00	CLIP	1		-			400

FIG. 500

Fig.2170  
Ref.771

Fig.2170  
Ref.774

Fig.2150  
Ref.510

Fig.2150  
Ref.512

Fig.2150  
Ref.520

Fig.2150  
Ref.522

Fig.2150  
Ref.515

60

Fig.2150  
Ref.515

135

Fig.2150  
Ref.580

Fig.2150  
Ref.530

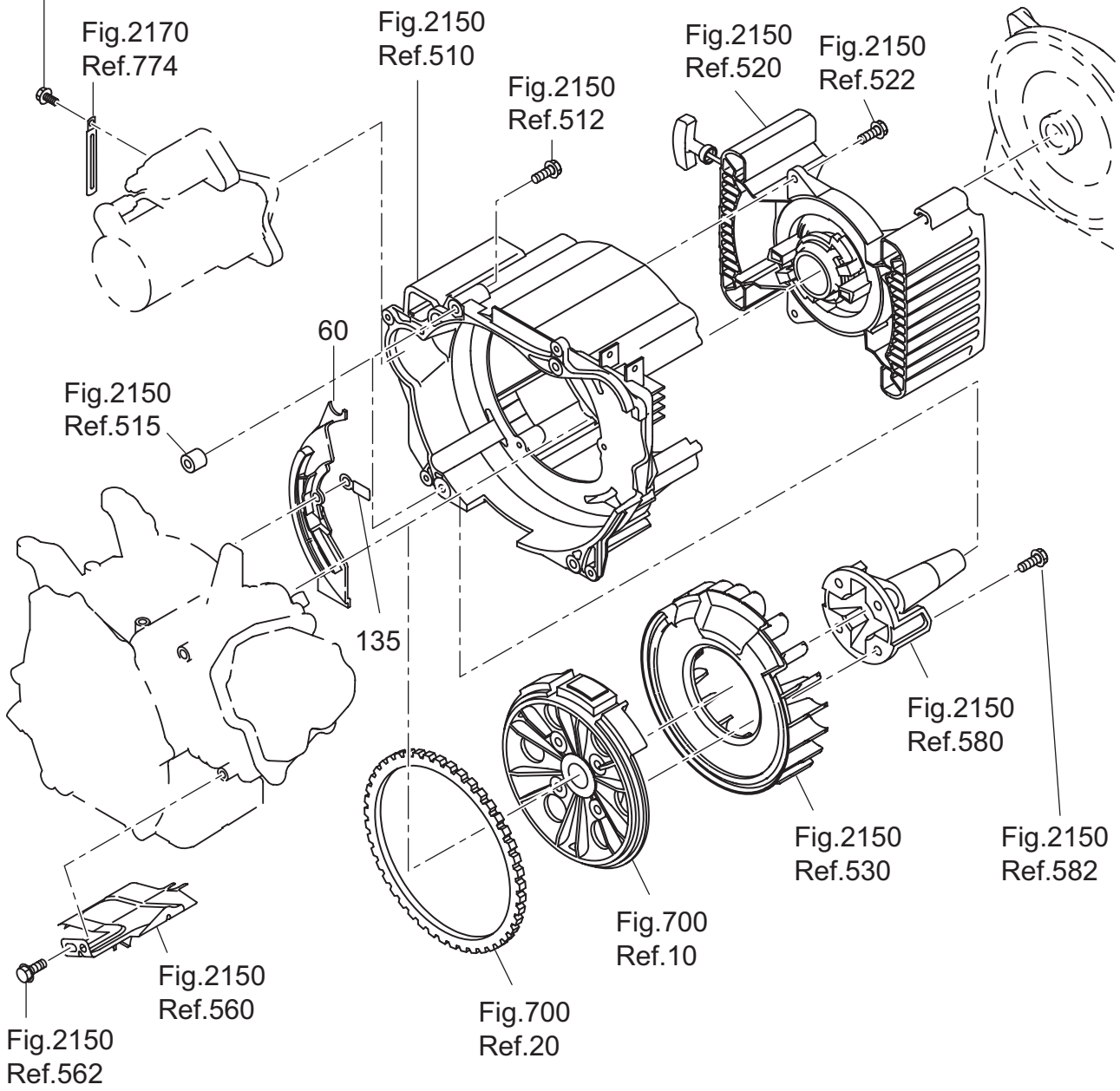
Fig.2150  
Ref.582

Fig.700  
Ref.10

Fig.700  
Ref.20

Fig.2150  
Ref.560

Fig.2150  
Ref.562



5 COOLING, STARTING

REF.	PARTS NUMBER	PARTS NAME	QTY	REMARKS	CODE NO. FROM-TO	INTERCHANGEABLE PART NUMBER	UNIT PRICE	FIG.
60	277-52712-03	BAFFLE 1(CASE)	1		-			500
135	277-75501-03	CLAMP (SEL)	1		-			500

FIG. 700

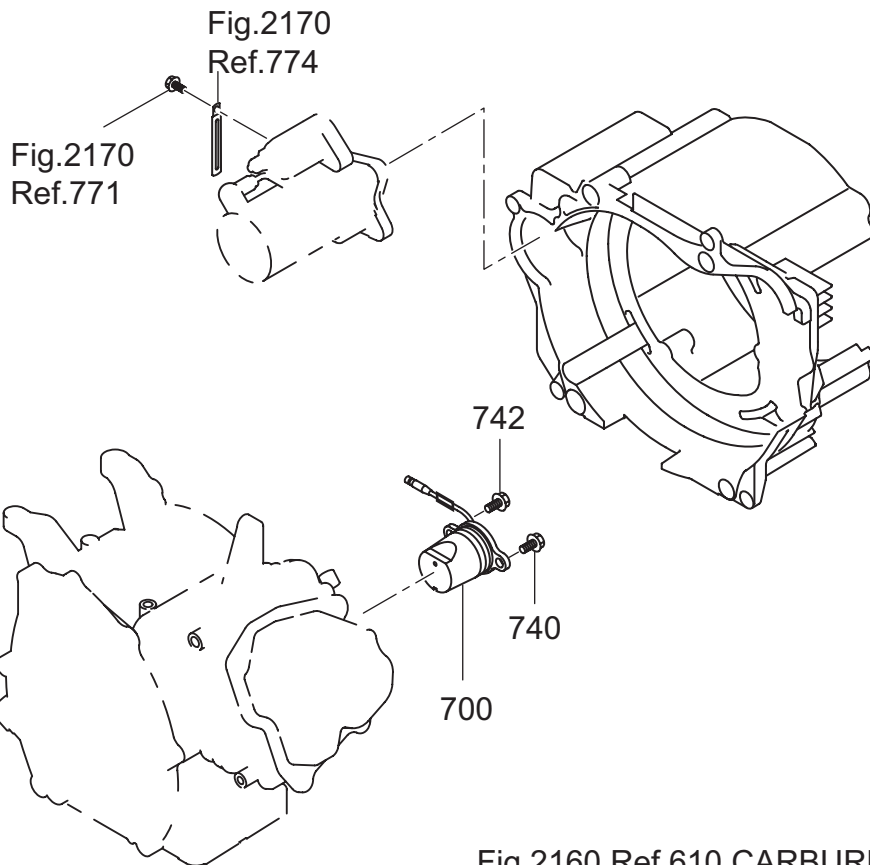
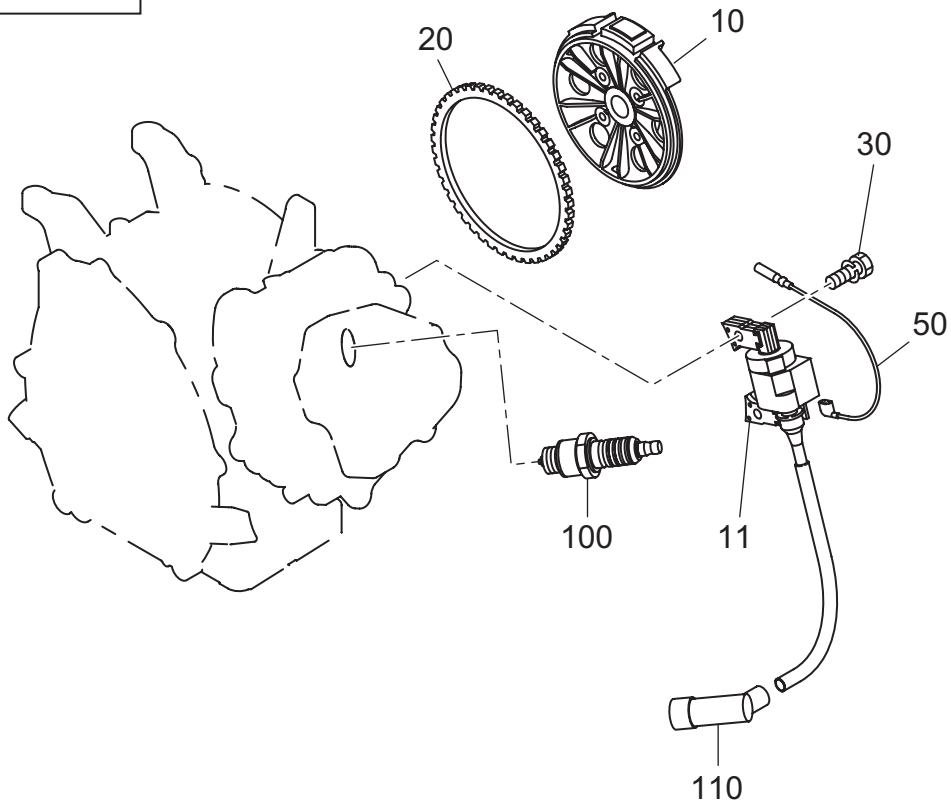
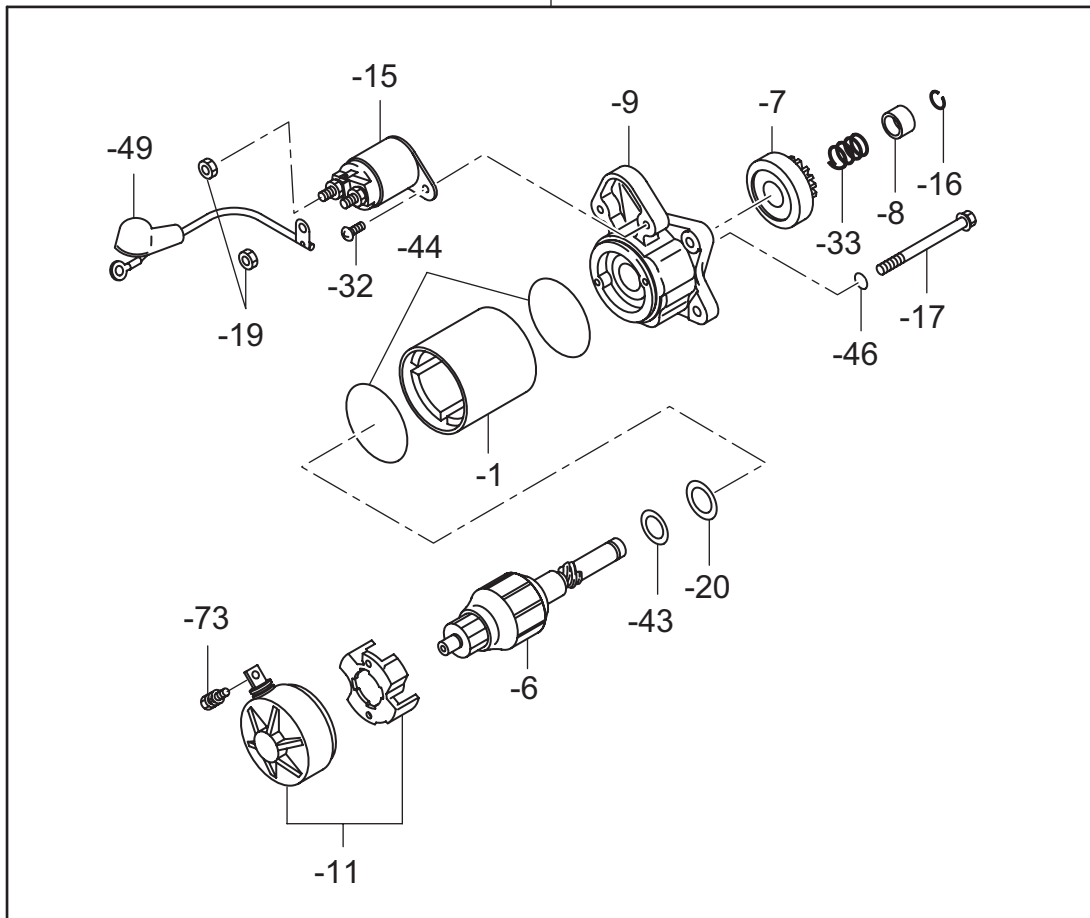
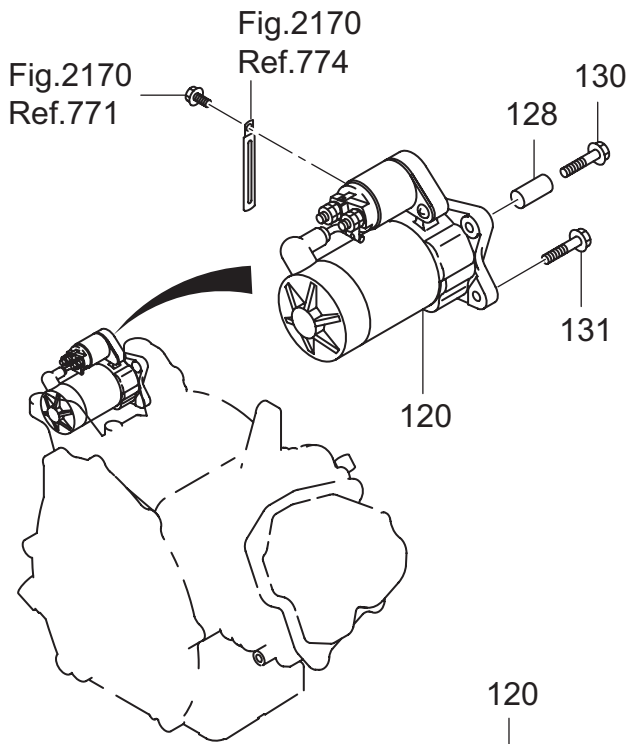


Fig.2160 Ref.610 CARBURETOR AY

FIG. 720





7 ELECTRIC DEVICE

REF.	PARTS NUMBER	PARTS NAME	QTY	REMARKS	CODE NO. FROM-TO	INTERCHANGEABLE PART NUMBER	UNIT PRICE	FIG.
10	277-79231-01	FLYWHEEL CP	1		-			700
11	277-79431-01	IGNITION COIL CP	1		-			700
20	277-71002-03	RING GEAR	1		-			700
30	001-14062-50	BOLT AND WASHER AY	2		-			700
50	279-73105-H1	WIRE 5 CP	1		-			700
100	065-01401-50	SPARK PLUG	1		-			700
110	065-50002-70	SPARK PLUG CAP	1		-			700
700	277-76301-11	OIL SENSOR CP	1		-			700
740	001-14061-60	BOLT AND WASHER AY	1		-			700
742	013-00602-60	BOLT AND WASHER AY	1		-			700
120	277-70502-00	STARTING MOTOR AY	1		-			720
-1	277-70550-08	YOKE AY	1		-			720
-6	277-70551-08	ARMATURE AY	1		-			720
-7	277-70520-08	CLUTCH, SUB-AY	1		-			720
-8	227-70561-08	NUT (PINION STOP)	1		-			720
-9	277-70501-08	GEAR HOUSING AY	1		-			720
-11	277-70502-08	FRAME AY	1		-			720
-15	277-70573-08	CONTACTOR AY	1		-			720
-16	227-70562-08	RING, SNAP	1		-			720
-17	277-70570-08	THROUGH BOLT	2		-			720
-19	254-70576-08	NUT	2		-			720
-20	227-70573-08	WASHER	1		-			720
-32	277-70574-08	SCREW	2		-			720
-33	277-70560-08	SPRING	1		-			720
-43	227-70574-08	COLLER	1		-			720
-44	227-70572-08	O RING	2		-			720
-46	277-70571-08	O RING	2		-			720
-49	277-70572-08	WIRE, SUB-AY	1		-			720
-73	227-70577-08	BOLT	1		-			720
128	980-40081-10	STR PIN -8X10	1		-			720
130	011-00604-80	FLANGE BOLT	1	M6X30L	-			720
131	011-00604-70	FLANGE BOLT	1	M6X20L	-			720

FIG. 2110

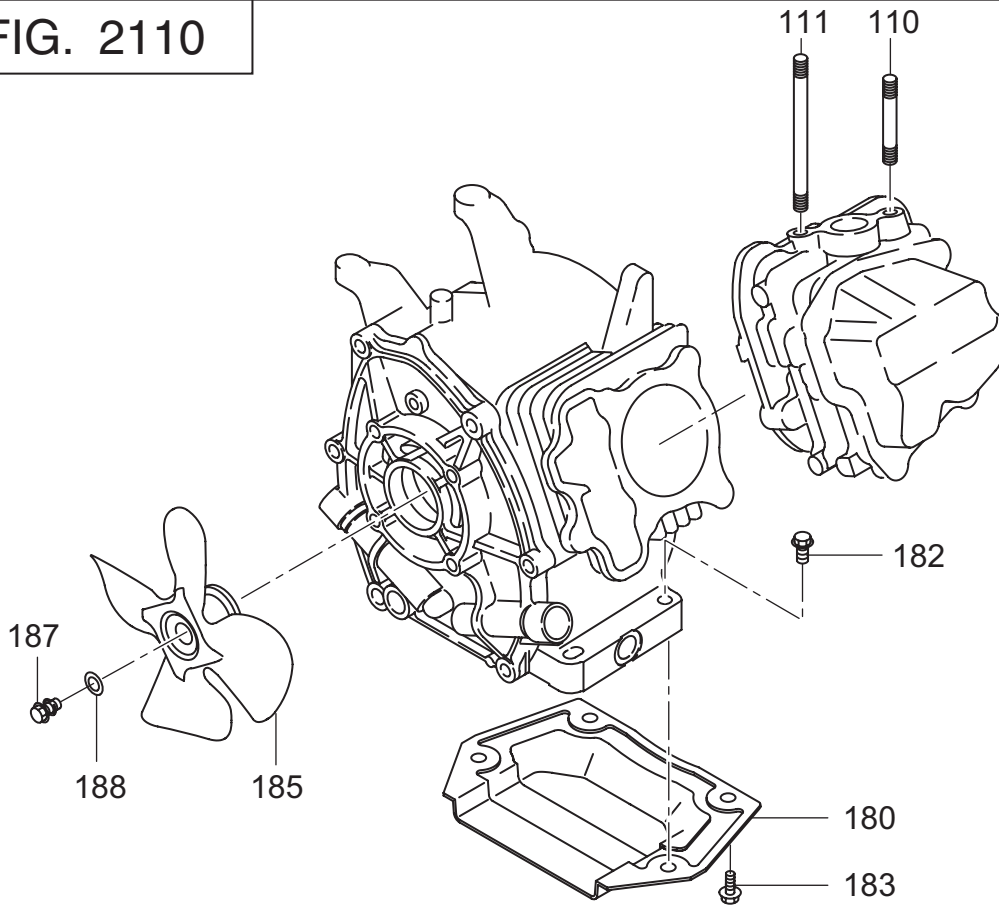


FIG. 2130

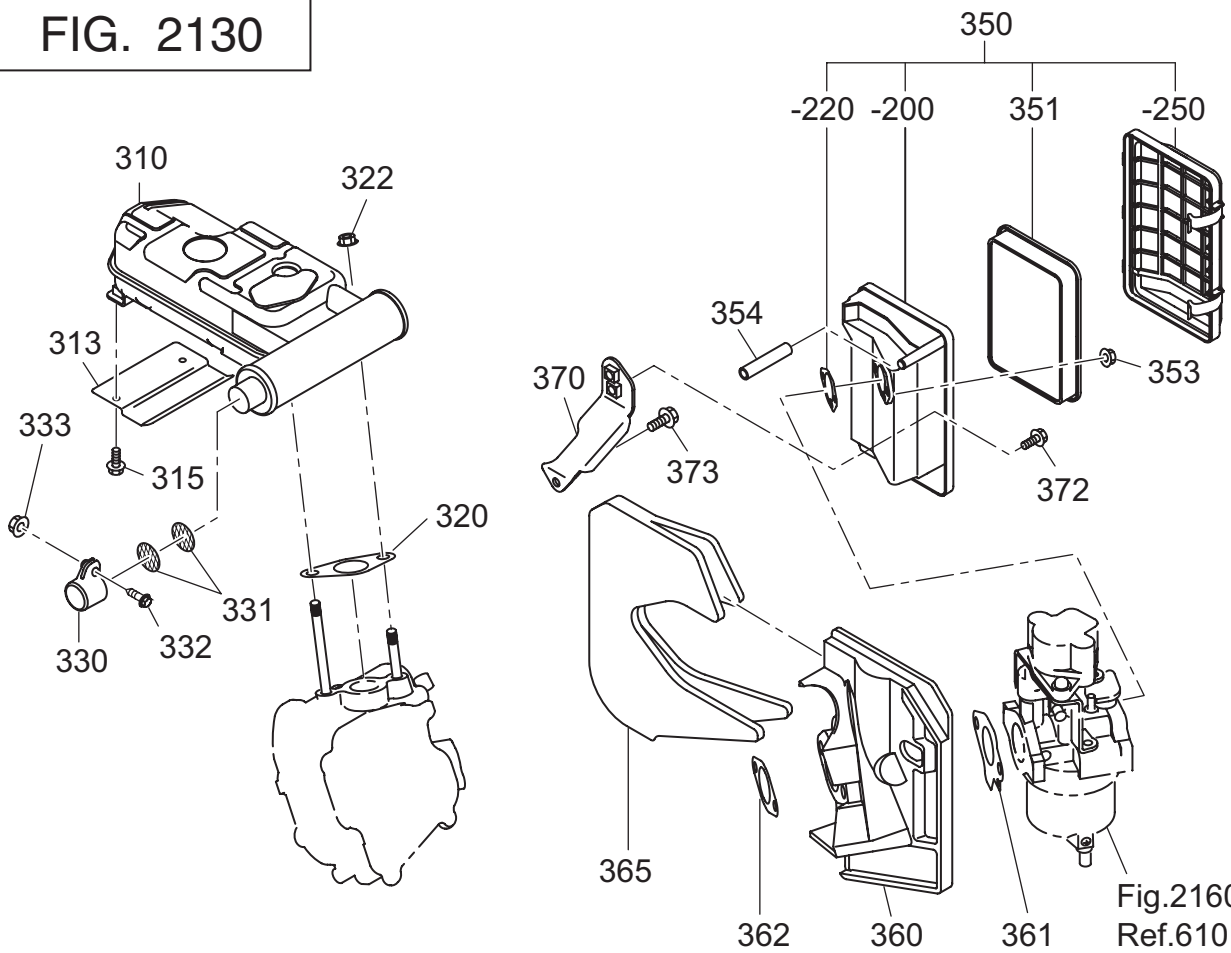


FIG. 2150

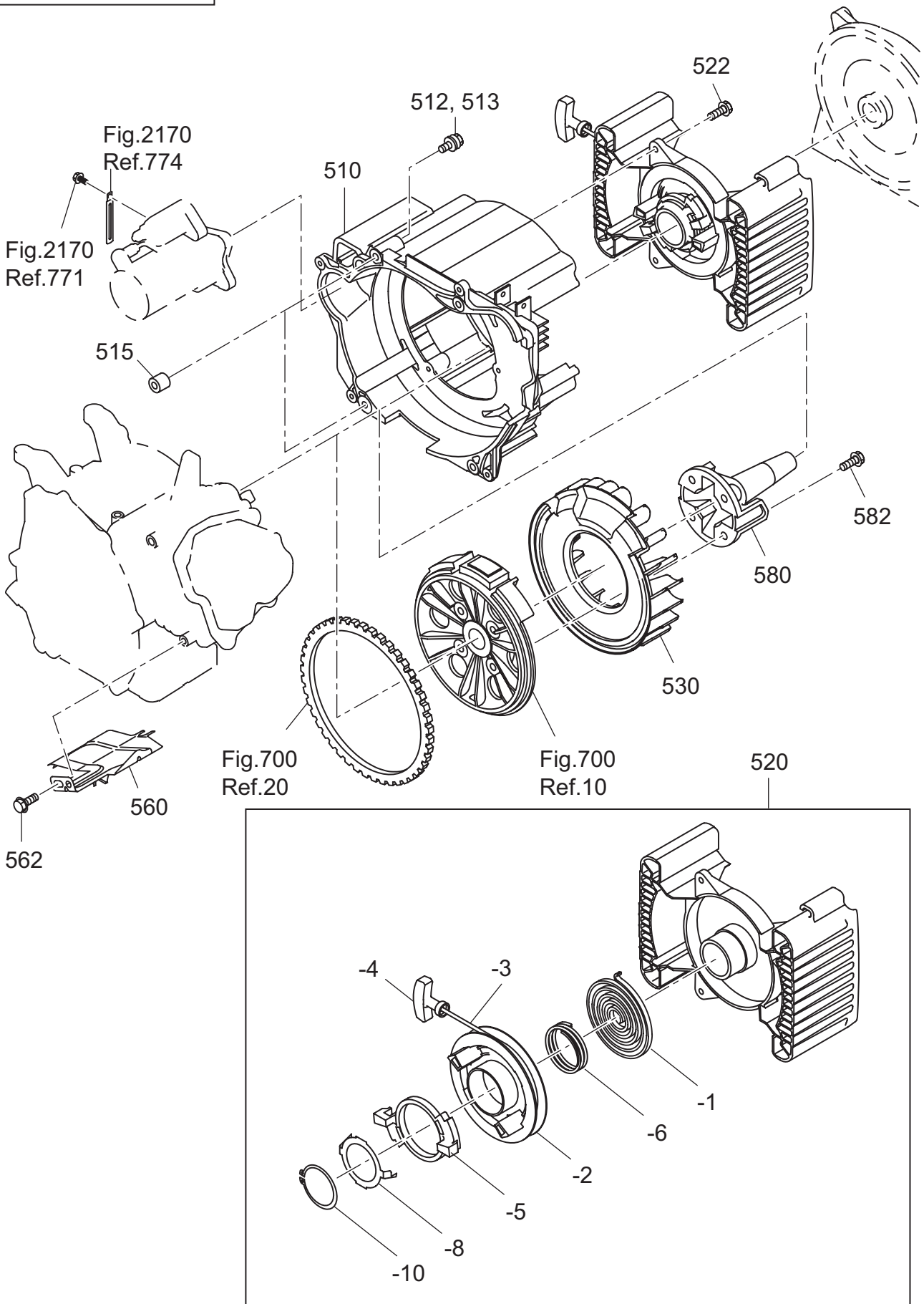


FIG. 2160

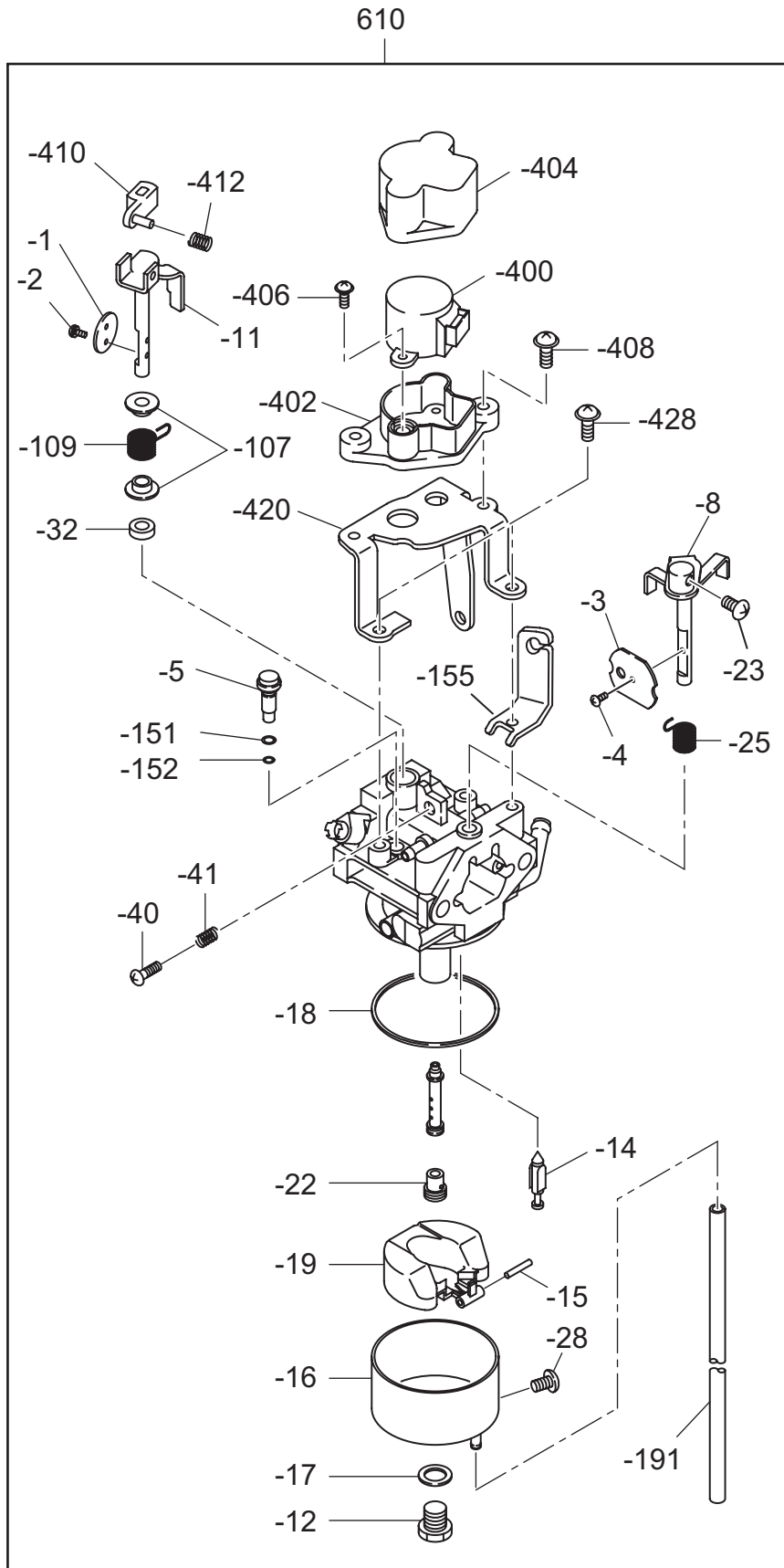
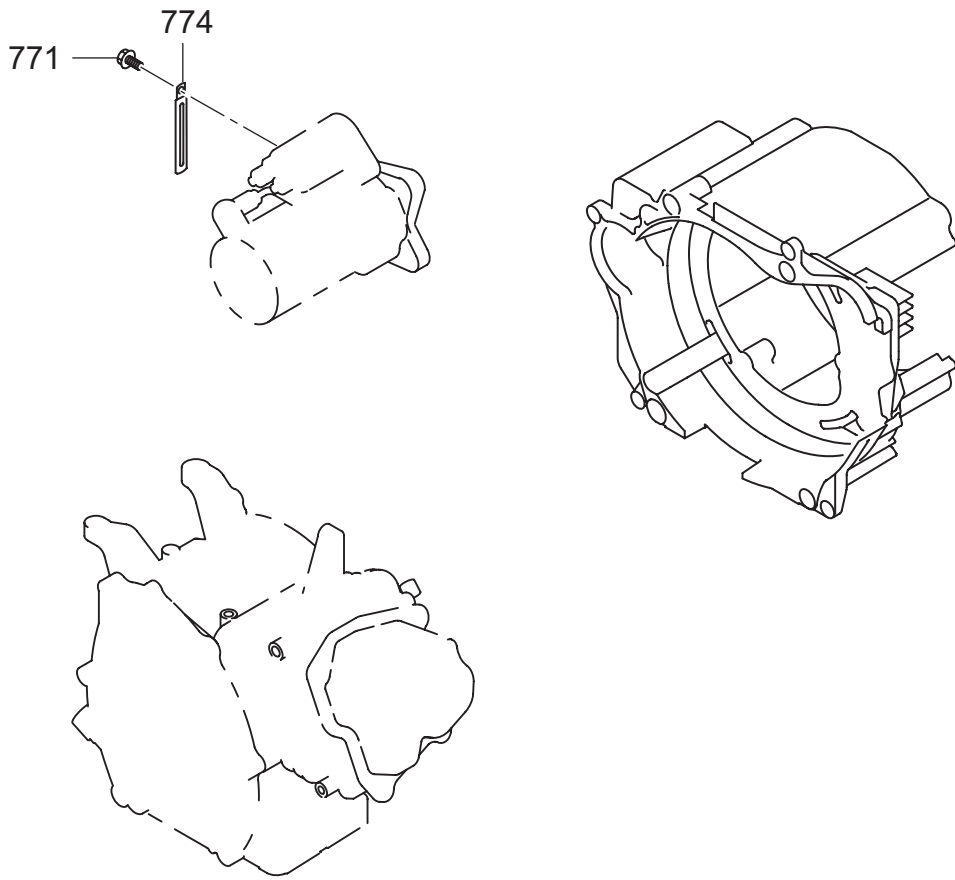


FIG. 2170



2 1 ENGINE

REF.	PARTS NUMBER	PARTS NAME	QTY	REMARKS	CODE NO. FROM-TO	INTERCHANGEABLE PART NUMBER	UNIT PRICE	FIG.
110	010-50802-90	STUD	1		-			2110
111	010-50805-10	STUD	1	M8X112L	-			2110
180	33B-35001-01	BOTTOM EXT. PLATE CP	1		-			2110
182	011-00802-70	FLANGE BOLT	2	M8X33L	-			2110
183	011-00801-50	FLANGE BOLT	2	M8X12L	-			2110
185	34G-54101-01	FAN (SILENT) CP	1		-			2110
187	001-14082-50	BOLT AND WASHER AY	1		-			2110
188	020-00800-80	WASHER	1		-			2110
310	278-30411-31	MUFFLER CP (SILENT)	1		-			2130
313	33B-52601-03	BAFFLE	1		-			2130
315	011-00601-60	FLANGE BOLT	2	M6X23L	-			2130
320	277-35201-13	GASKET (MUFFLER)	1		-			2130
322	980-20082-80	FLANGE NUT	2	M8	-			2130
330	277-37210-03	TAIL SCREEN COVER	1		-			2130
331	277-37220-03	SCREEN	2		-			2130
332	004-35051-60	SCREW AND WASHER AY	1		-			2130
333	002-18050-00	NUT	1		-			2130
350	277-32622-20	AIR CLEANER AY	1		-			2130
-200	277-32632-08	BASE CP	1		-			2130
-220	277-32604-08	PACKING	1		-			2130
-250	277-32643-18	COVER CP	1		-			2130
351	277-32661-17	ELEMENT SET	1		-			2130
353	002-38060-00	FLANGE NUT	2		-			2130
354	085-10800-00	RUBBER PIPE	1	8DX11D	-			2130
360	277-32910-03	INSULATOR	1		-			2130
361	277-35902-H3	GASKET 1 (INSULATOR)	1		-			2130
362	277-35903-H3	GASKET 2 (INSULATOR)	1		-			2130
365	278-39701-03	SPONGE (INSULATOR)	1		-			2130
370	277-39004-01	BRACKET (A/C) 1 CP	1		-			2130
372	011-00600-50	FLANGE BOLT	1	M6X20L	-			2130
373	011-00600-20	FLANGE BOLT	1	M6X12L	-			2130
510	277-52001-13	BLOWER HOUSING	1		-			2150
512	001-14063-50	BOLT AND WASHER AY	1		-			2150
513	001-14064-50	BOLT AND WASHER AY	3		-			2150
515	980-40081-10	STR PIN -8X10	2	M6	-			2150
520	277-50401-00	RECOIL STARTER AY	1		-			2150

2 1 ENGINE

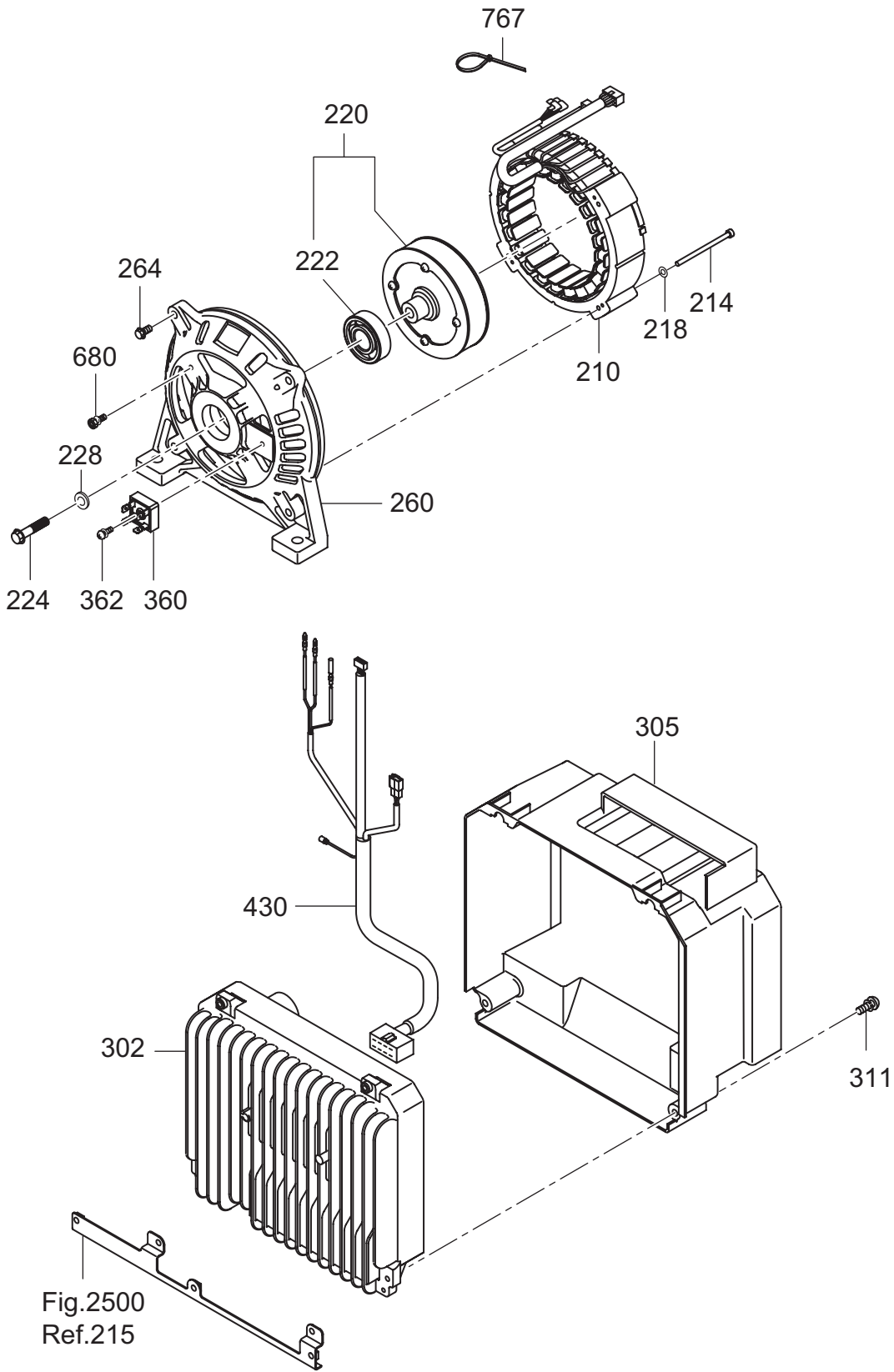
REF.	PARTS NUMBER	PARTS NAME	QTY	REMARKS	CODE NO. FROM-TO	INTERCHANGEABLE PART NUMBER	UNIT PRICE	FIG.
-1	277-50402-08	SPIRAL SPRING	1		-			2150
-2	277-50403-08	REEL	1		-			2150
-3	277-50408-08	STARTER PORE	1		-			2150
-4	277-50409-08	STARTER KNOB	1		-			2150
-5	277-50404-08	RACHET	1		-			2150
-6	277-50405-08	FRICITION SPRING	1		-			2150
-8	277-50407-08	FRICITION PLATE	1		-			2150
-10	277-50406-08	RETAINING RING	1		-			2150
522	011-00601-40	FLANGE BOLT	3	M6X18L	-			2150
530	277-54101-13	COOLING BLOWER	1		-			2150
560	277-52702-03	BAFFLE 2 (HEAD)	1		-			2150
562	011-00600-20	FLANGE BOLT	1	M6X12L	-			2150
580	277-24401-03	DRIVING SHAFT	1		-			2150
582	011-01001-10	FLANGE BOLT	4	M8X27L	-			2150
610	278-62330-00	CARBURETOR AY	1		-			2160
-1	277-62536-08	THROTTLE VALVE	1		-			2160
-2	284-62455-08	SCREW	2		-			2160
-3	284-62525-08	CHOKE VALVE	1		-			2160
-4	284-62455-08	SCREW	1		-			2160
-5	278-62421-08	SLOW JET	1		-			2160
-8	284-62520-08	CHOKE LEVER	1		-			2160
-11	277-62532-08	THROTTLE SHAFT	1		-			2160
-12	284-62355-08	BOLT	1		-			2160
-14	279-62500-08	NEEDLE	1		-			2160
-15	284-62515-08	PIN	1		-			2160
-16	284-62550-08	FLOAT BODY	1		-			2160
-17	251-62350-08	PACKING	1		-			2160
-18	284-62540-08	CHAMBER PACKING	1		-			2160
-19	284-62505-08	FLOAT AY	1		-			2160
-22	278-62402-08	MAIN JET	1		-			2160
-23	284-62456-08	SCREW	1		-			2160
-25	284-62445-08	SPRING (CHOKE)	1		-			2160
-28	251-62466-08	BOLT	1		-			2160
-32	251-62559-08	SEAL	1		-			2160
-40	277-62581-08	ADJUST SCREW	1		-			2160
-41	251-62449-08	SPRING	1		-			2160

2 1 ENGINE

REF.	PARTS NUMBER	PARTS NAME	QTY	REMARKS	CODE NO. FROM-TO	INTERCHANGEABLE PART NUMBER	UNIT PRICE	FIG.
-107	284-62561-08	COLLAR	2		-			2160
-109	284-62315-08	SPRING (THROTTLE)	1		-			2160
-151	284-62451-08	O RING	1		-			2160
-152	284-62450-08	O RING	1		-			2160
-155	277-62451-08	BRACKET (WIRE)	1		-			2160
-191	277-62590-08	VINYL PIPE	1		-			2160
-400	284-62580-08	MOTOR	1		-			2160
-402	284-62576-08	BRACKET (MOTOR)	1		-			2160
-404	277-62595-08	COVER (MOTOR)	1		-			2160
-406	284-62458-08	SCREW	2		-			2160
-408	284-62457-08	SCREW	2		-			2160
-410	284-62555-08	JOINT LEVER	1		-			2160
-412	284-62446-08	SPRING	1		-			2160
-420	284-62575-08	BRACKET	1		-			2160
-428	284-62457-08	SCREW	3		-			2160
771	011-00600-10	FLANGE BOLT	1		-			2170
774	056-60002-50	CLAMP	1		-			2170



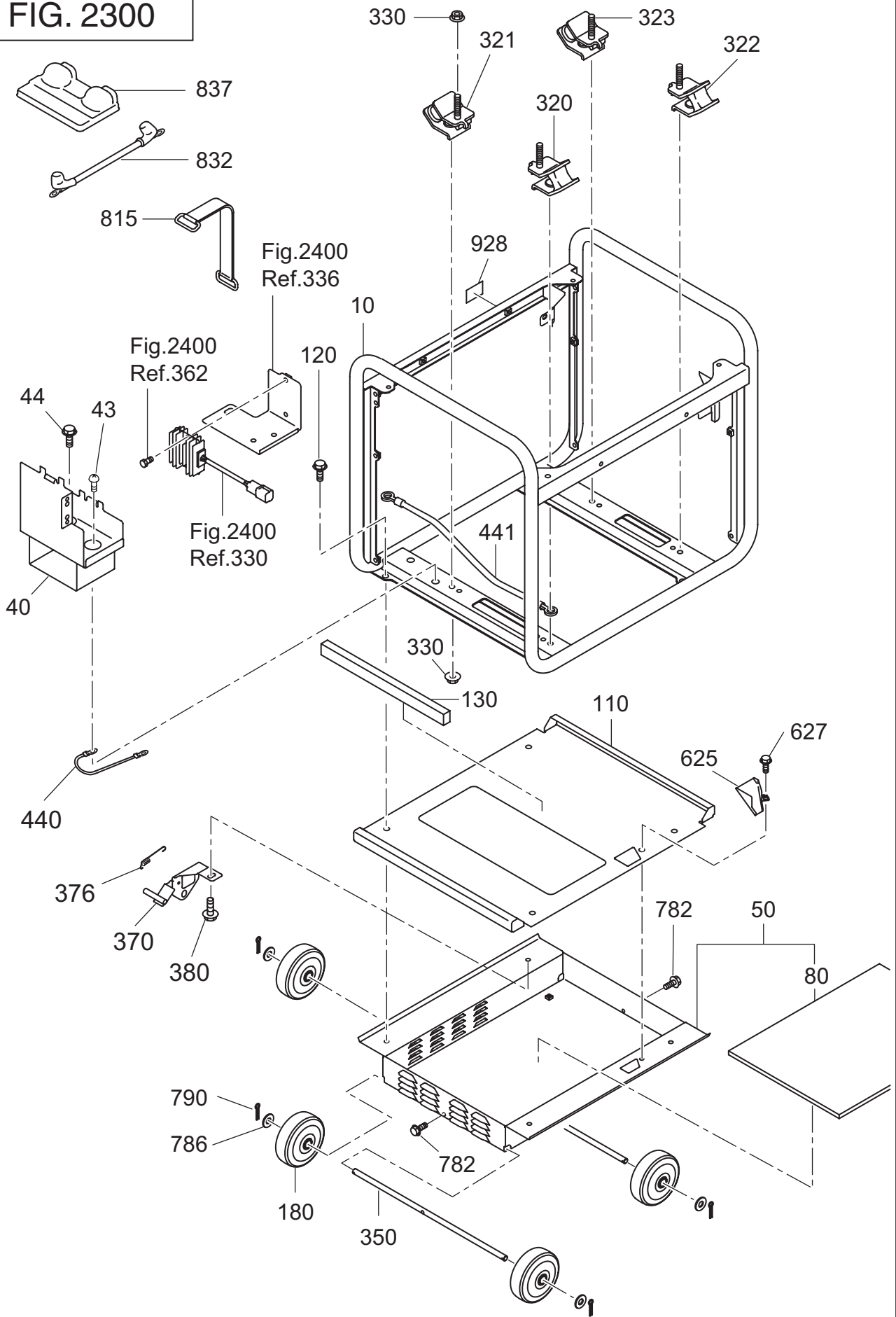
FIG. 2200



2 2 GENERATOR

REF.	PARTS NUMBER	PARTS NAME	QTY	REMARKS	CODE NO. FROM-TO	INTERCHANGEABLE PART NUMBER	UNIT PRICE	FIG.
210	34C-21051-01	STATOR CP	1		-			2200
214	34C-21051-08	BOLT	4	M5X40L	-			2200
218	003-20050-00	SPRING WASHER	4	M5	-			2200
220	34C-20061-01	ROTOR CP	1		-			2200
222	34B-21001-08	BEARING	1		-			2200
224	010-01002-00	BOLT	1		-			2200
228	020-01001-60	WASHER	1		-			2200
260	34B-23071-01	REAR COVER	1		-			2200
264	001-14062-50	BOLT AND WASHER AY	4		-			2200
302	KU3-10720-21	INV & E/G C/U CP (F9)	1		-			2200
305	34B-55001-03	COVER (INVERTOR)	1		-			2200
311	004-36051-60	SCREW AND WASHER AY	2		-			2200
360	34K-20903-08	RECTIFIER	1		-			2200
362	34K-20904-08	SCREW	1	M4X20L	-			2200
430	34B-48101-01	WIRE HARNESS (E/G) CP	1		-			2200
680	34K-20905-08	SCREW	1	M5X10L	-			2200
767	34K-20907-08	BAND	2		-			2200

FIG. 2300

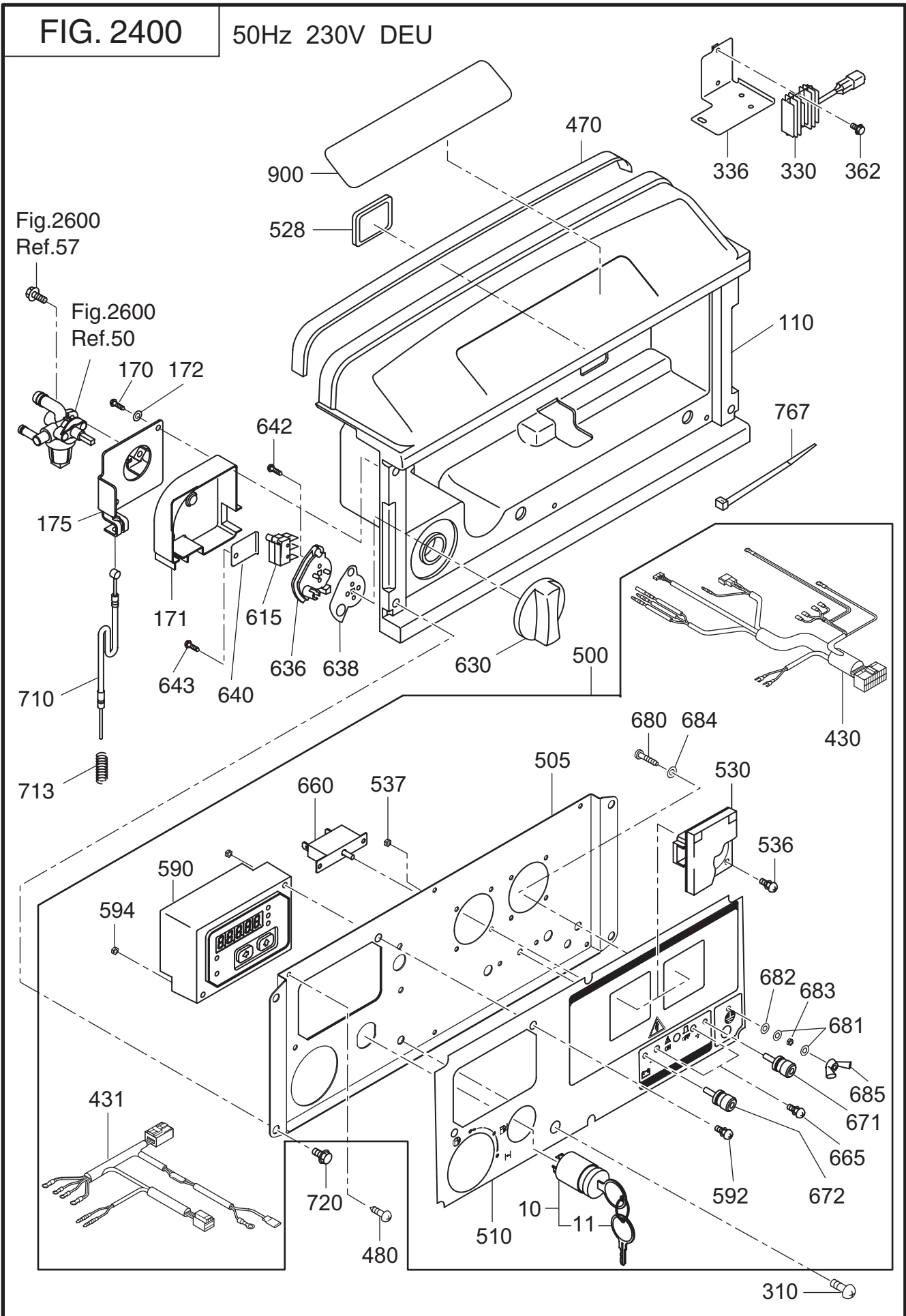


2 3 B A S E, F R A M E

REF.	PARTS NUMBER	PARTS NAME	QTY	REMARKS	CODE NO. FROM-TO	INTERCHANGEABLE PART NUMBER	UNIT PRICE	FIG.
10	34G-30001-01	FRAME CP	1		-			2300
40	33B-35601-01	BATTERY BASE	1		-			2300
43	011-00600-80	FLANGE BOLT	2	M6X12L	-			2300
44	014-00601-21	SCREW	1	M6X8L	-			2300
50	34G-53101-01	BASE PLATE (LOWER) CP	1		-			2300
80	34G-59004-03	SPONGE (BASE)	1		-			2300
110	34G-53002-01	BASE PLATE (UPPER) CP	1		-			2300
120	001-14081-60	BOLT AND WASHER AY	4		-			2300
130	34G-59003-03	SPONGE (BASE)	1		-			2300
180	393-30603-01	WHEEL CP	4		-			2300
320	32B-30211-01	MOUNT CP (R)	1		-			2300
321	32B-30212-01	MOUNT CP (L)	1		-			2300
322	32B-30202-01	MOUNT CP (L)	1		-			2300
323	32B-30201-01	MOUNT CP (R)	1		-			2300
330	002-38080-00	FLANGE NUT	8		-			2300
350	34G-55201-01	SHAFT (WHEEL) CP	2		-			2300
370	34G-56002-10	BRAKE -2 AY	1		-			2300
376	34G-56102-13	SPRING (BRAKE)	1		-			2300
380	001-14081-60	BOLT AND WASHER AY	1		-			2300
440	33B-48091-01	EARTH WIRE CP	1		-			2300
441	34B-48091-01	EARTH WIRE CP	1		-			2300
625	34G-55211-21	DRAIN GUIDE CP	1		-			2300
627	011-00600-20	FLANGE BOLT	1	M6X12L	-			2300
782	011-00600-20	FLANGE BOLT	2	M6X12L	-			2300
786	003-11120-00	WASHER	3		-			2300
790	005-10302-50	COTTER PIN	4		-			2300
815	33B-58001-01	BATTERY BAND	1		-			2300
832	33B-48071-11	BATTERY WIRE CP	1		-			2300
837	33B-35701-03	BATTERY COVER	1		-			2300
928	073-20026-51	LABEL (EARTH)	1		-			2300

FIG. 2400

50Hz 230V DEU



2 4 CONTROL

REF.	PARTS NUMBER	PARTS NAME	QTY	REMARKS	CODE NO. FROM-TO	INTERCHANGEABLE PART NUMBER	UNIT PRICE	FIG.
10	066-00003-30	KEY SWITCH	1		-			2400
11	066-00099-80	KEY	2		-			2400
110	33B-50001-01	FRONT COVER (UPPER) CP	1		-			2400
170	015-00400-70	TAPPING SCREW	2		-			2400
171	33B-46001-03	COVER (COCK)	1		-			2400
172	003-10040-00	WASHER	2		-			2400
175	33B-46012-01	BRACKET (COCK)	1		-			2400
310	004-36061-60	SCREW AND WASHER AY	2		-			2400
330	33B-47202-01	REGULATOR CP	1		-			2400
336	33B-35801-02	BRACKET (REG) UN	1		-			2400
362	011-00600-50	FLANGE BOLT	2	M6X20L	-			2400
430	34B-48002-01	WIRE HARNESS CP	1		-			2400
431	33B-48051-01	WIRE HARNESS CP	1		-			2400
470	34B-57311-03	SEAL SPONGE FC2	1		-			2400
480	353-49904-08	TAPPING SCREW	6	M4X10L	-			2400
500	34C-45718-10	CONTROL PANEL AY	1		-			2400
505	33B-45009-01	PANEL PLATE CP	1		-			2400
510	34B-49122-03	SHEET (PANEL VS) 22	1		-			2400
528	227-75001-03	GROMMET	1		-			2400
530	358-40621-08	AC CONCENT (FINLAND)	2		-			2400
536	004-36031-20	SCREW AND WASHER AY	8		-			2400
537	002-17030-00	NUT	8		-			2400
590	KU3-11770-11	MONITOR C/U CP (INV2)	1		-			2400
592	013-10400-80	SCREW AND WASHER AY	2	M4X40L	-			2400
594	002-17040-00	NUT	2		-			2400
615	33K-41811-03	MICRO SWITCH	2		-			2400
630	33K-42010-03	CONTROL DIAL	1		-			2400
636	33K-42020-03	CHOKE REEL	1		-			2400
638	33K-42030-13	PLATE	1		-			2400
640	33B-46015-01	BRACKET (MICRO)	1		-			2400
642	33K-41814-08	TAPPING SCREW	2	M3X16L	-			2400
643	015-00400-70	TAPPING SCREW	1		-			2400
660	352-45620-08	CIRCUIT BREAKER	1	201-10A	-			2400
665	31B-79011-03	SCREW	2		-			2400
671	363-45701-08	TERMINAL BOLT	1	RED	-			2400
672	363-45700-08	TERMINAL BOLT	1	BLACK	-			2400

2 4 CONTROL

REF.	PARTS NUMBER	PARTS NAME	QTY	REMARKS	CODE NO. FROM-TO	INTERCHANGEABLE PART NUMBER	UNIT PRICE	FIG.
680	388-88001-03	SCREW AND WASHER AY	1		-			2400
681	332-00050-08	SPRING WASHER	2		-			2400
682	353-49903-08	WASHER	1		-			2400
683	353-49902-08	NUT	1		-			2400
684	003-30050-00	LOCK WASHER	1		-			2400
685	353-49901-08	WING NUT	1		-			2400
710	33B-46021-01	CHOKE WIRE CP	1		-			2400
713	226-45001-03	RETURN SPRING	1		-			2400
720	014-00601-90	SCREW	4	M6X20L	-			2400
767	056-30000-20	WIRE BAND	5		-			2400
900	34H-90003-03	LABEL (TRADE MARK)	1		-			2400

FIG. 2500

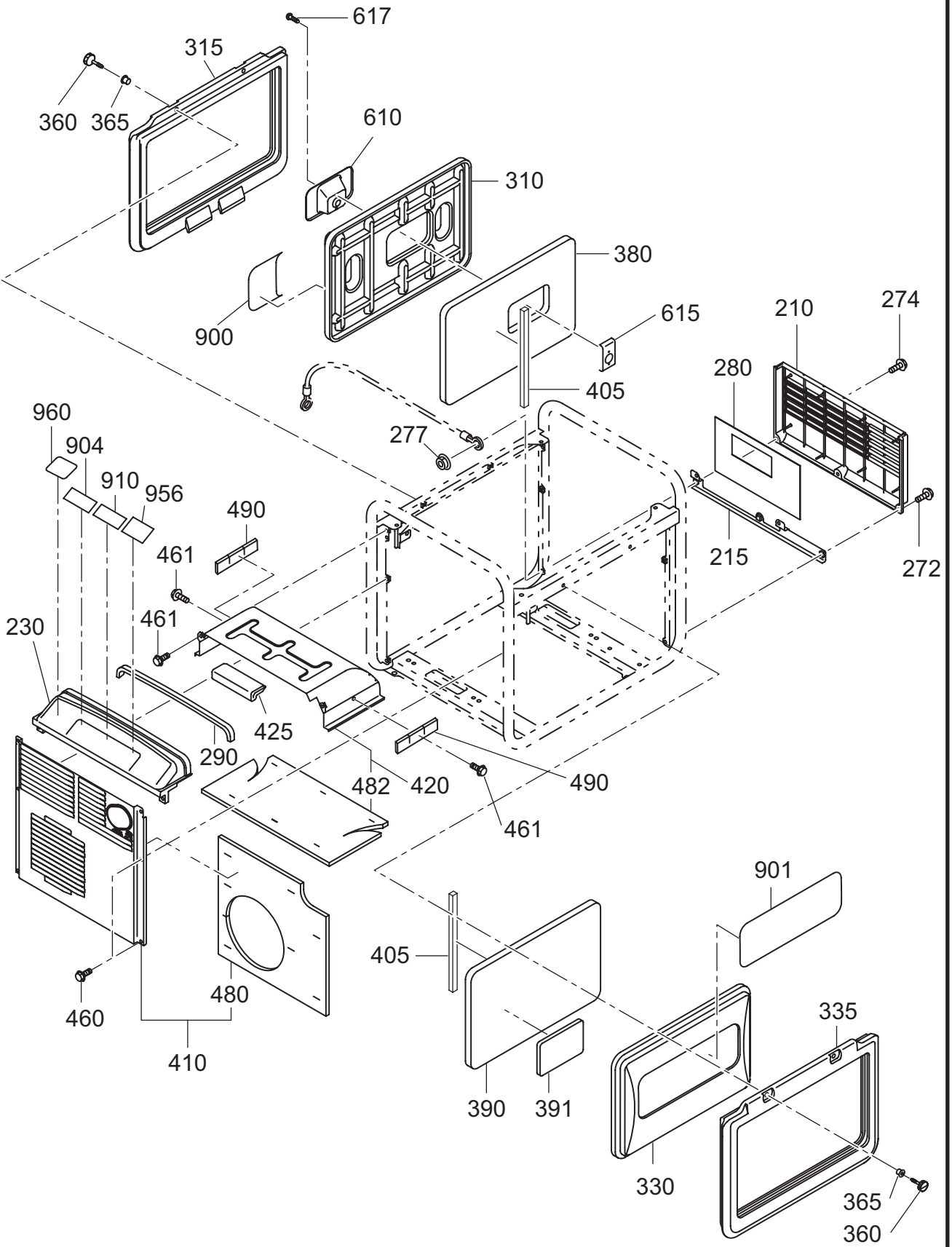
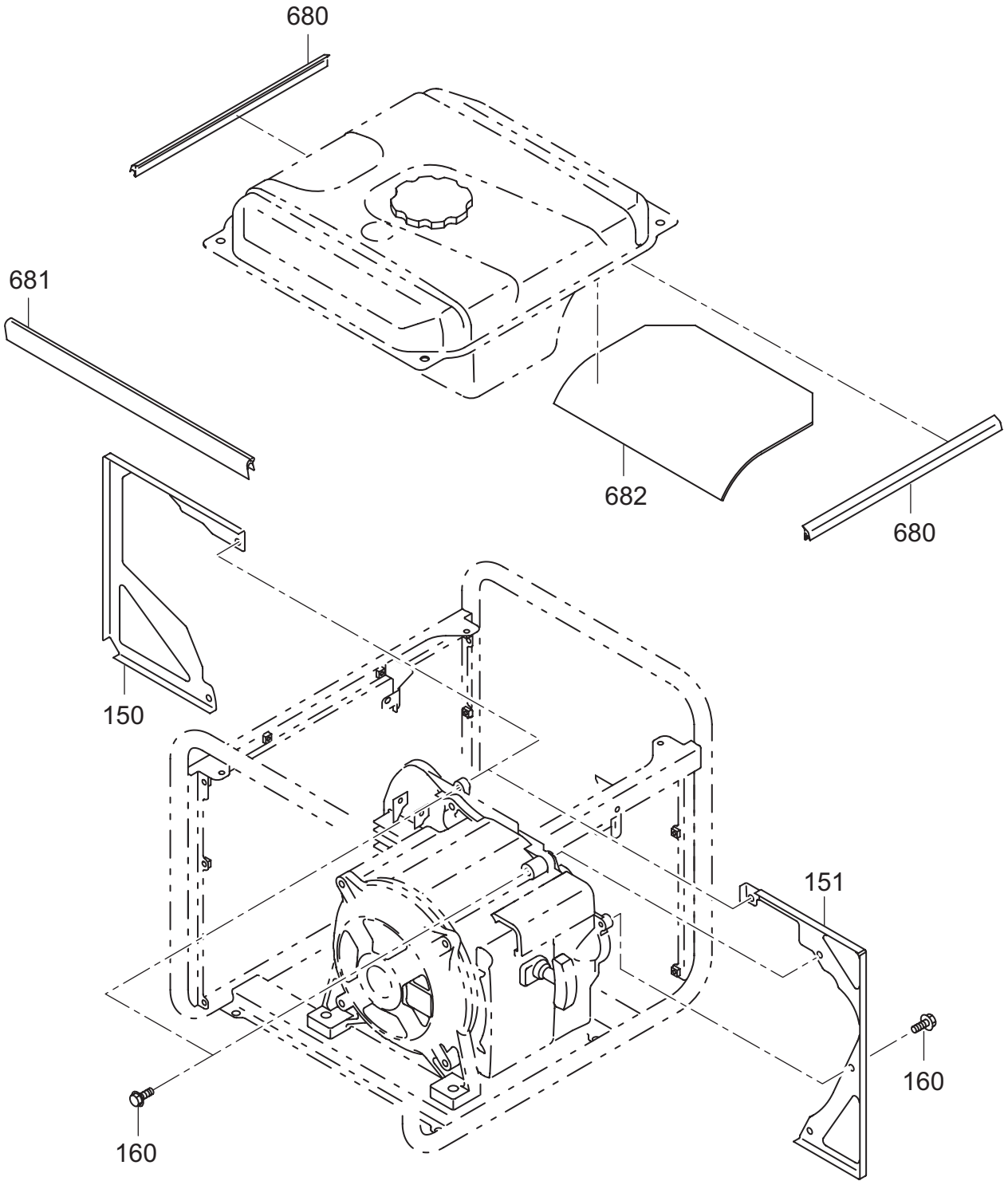




FIG. 2510

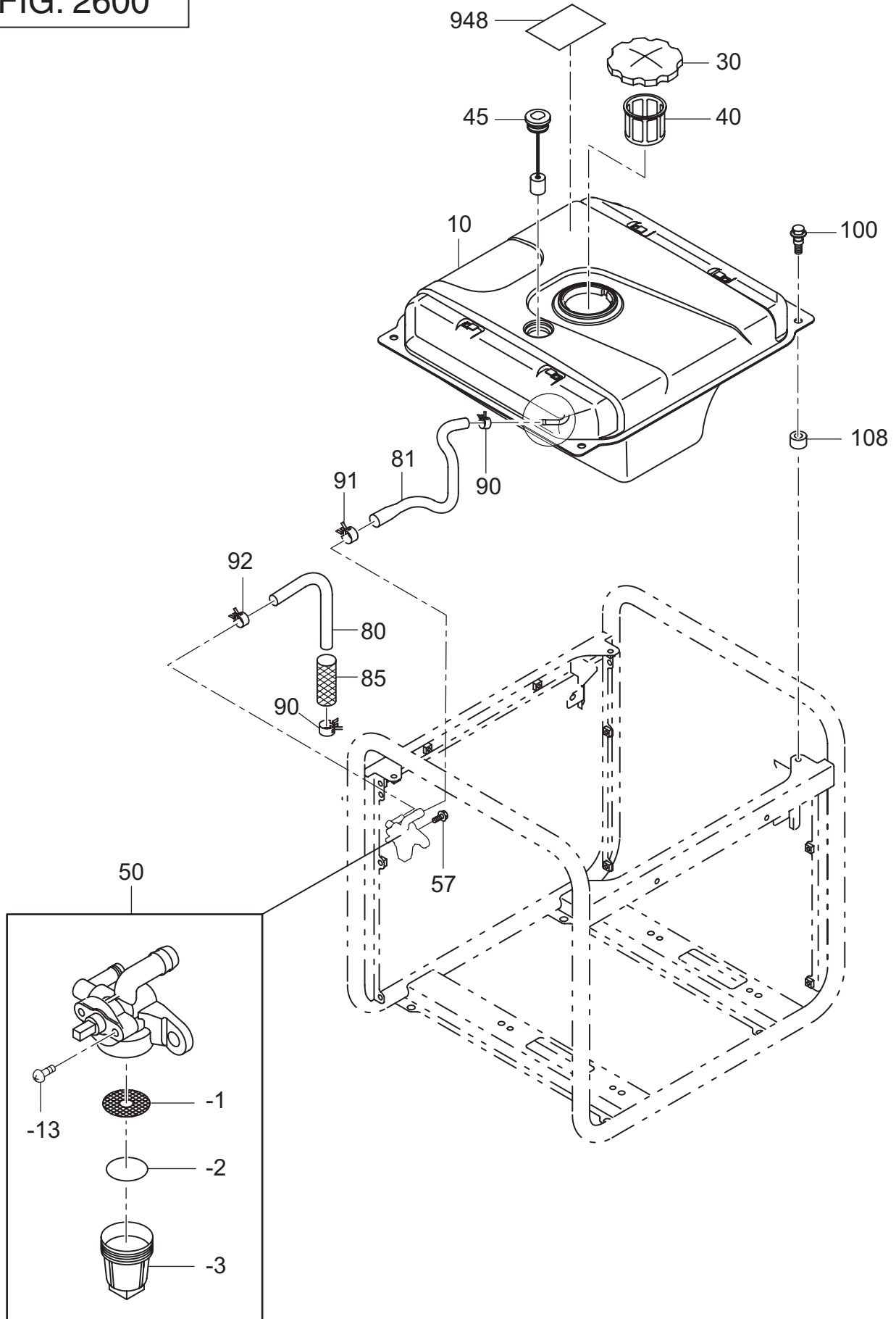


2 5 COVER

REF.	PARTS NUMBER	PARTS NAME	QTY	REMARKS	CODE NO. FROM-TO	INTERCHANGEABLE PART NUMBER	UNIT PRICE	FIG.
210	33B-50101-01	FRONT COVER (LOWER) CP	1		-			2500
215	33B-35501-01	BRACKET (COVER) CP	1		-			2500
230	33B-50501-01	REAR COVER (UPPER) CP	1		-			2500
272	011-00601-80	FLANGE BOLT	2	M6X18L	-			2500
274	001-11062-50	BOLT AND WASHER AY	1		-			2500
277	002-38060-00	FLANGE NUT	1		-			2500
280	34B-57310-03	SEAL SPONGE FC1	1		-			2500
290	34B-57311-03	SEAL SPONGE FC2	1		-			2500
310	34G-51001-01	SIDE COVER (R) CP	1		-			2500
315	34G-55101-03	SIDE RUBBER SEAL	1		-			2500
330	34G-51101-01	SIDE COVER (L) CP	1		-			2500
335	34G-55101-03	SIDE RUBBER SEAL	1		-			2500
360	34G-55301-01	COVER BOLT CP	4		-			2500
365	34G-55302-01	SPACER CP	4		-			2500
380	34G-59001-13	SPONGE (S COVER-R)	1		-			2500
390	34G-59002-13	SPONGE (S COVER-L)	1		-			2500
391	34G-59008-03	SPONGE (S COVER-L)	1		-			2500
405	34G-57321-03	SEAL SPONGE (SIDE)	2		-			2500
410	33B-56411-01	MUF COVER (REAR) CP	1		-			2500
420	34G-56351-01	MUF COVER (L) CP	1		-			2500
425	33B-57005-03	SEAL RUBBER	1		-			2500
460	011-00601-80	FLANGE BOLT	6	M6X18L	-			2500
461	011-00600-80	FLANGE BOLT	4	M6X12L	-			2500
480	33B-57105-03	GLASS WOOL (M-COVER)	1		-			2500
482	33B-57103-03	GLASS WOOL	1		-			2500
490	34G-57322-03	SEAL SPONGE (MF17.21)	2		-			2500
610	34G-55001-01	COVER (RECOIL KNOB) CP	1		-			2500
615	34G-55002-01	PLATE CP	1		-			2500
617	004-35061-00	SCREW AND WASHER AY	2		-			2500
900	34H-91003-03	LABEL (TRADE MARK-R)	1		-			2500
901	34H-92003-03	LABEL (TRADE MARK-L)	1		-			2500
904	34H-96006-13	LABEL (SPEC)	1		-			2500
910	33K-94002-03	LABEL (CAUTION)	1		-			2500
956	073-20045-00	LABEL (HOT&GAS)	1		-			2500
960	073-20053-70	LABEL (91DB)	1		-			2500
150	33B-56101-11	SEPARATOR (A/C)	1		-			2510



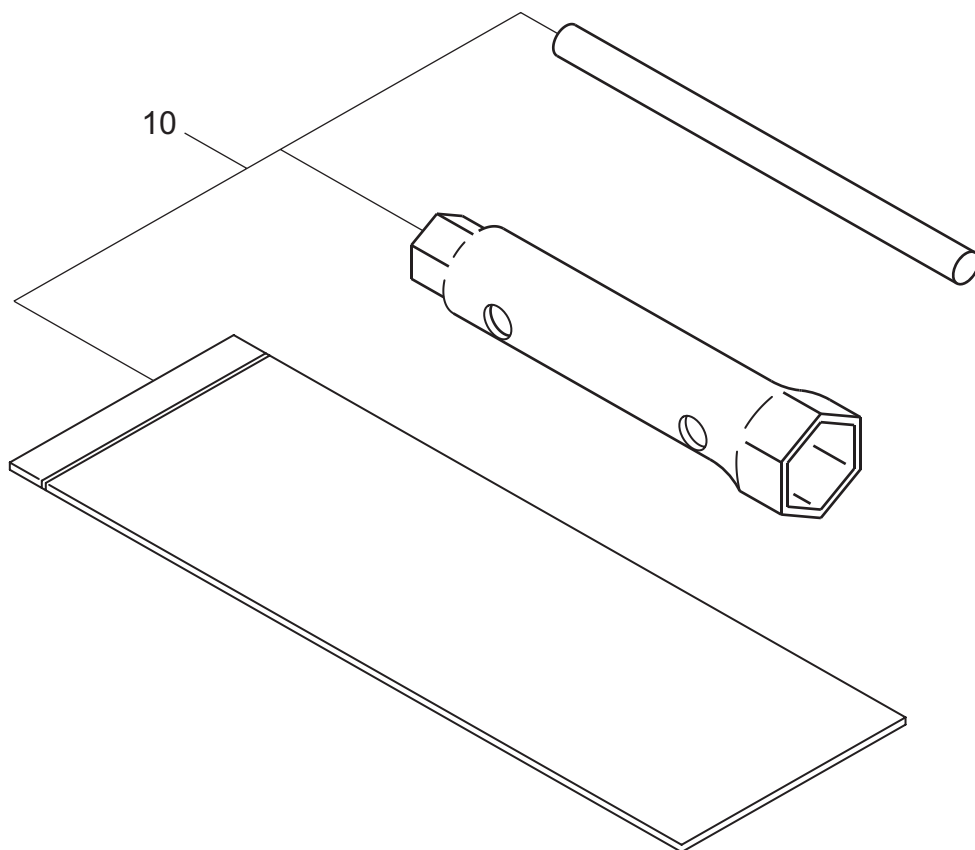
FIG. 2600



2 6 F U A L T A N K

REF.	PARTS NUMBER	PARTS NAME	QTY	REMARKS	CODE NO. FROM-TO	INTERCHANGEABLE PART NUMBER	UNIT PRICE	FIG.
10	33B-60104-01	FUEL TANK CP	1		-			2600
30	043-05900-11	FUEL TANK CAP AY	1		-			2600
40	064-15400-11	FUEL FILTER	1		-			2600
45	064-80015-00	FUEL GAUGE CP	1		-			2600
50	064-20103-00	FUEL STRAINER AY	1		-			2600
-1	064-20093-20	FILTER	1		-			2600
-2	064-20064-10	GASKET, O-RING	1		-			2600
-3	064-20078-10	CUP	1		-			2600
-13	064-20047-90	SCREW	2		-			2600
57	011-00600-20	FLANGE BOLT	1	M6X12L	-			2600
80	085-10600-00	RUBBER PIPE	1		-			2600
81	33B-66001-03	RUBBER PIPE	1		-			2600
85	251-17302-03	MESH PROTECTOR	1		-			2600
90	056-11100-20	HOSE CLAMP	2	11D	-			2600
91	056-11300-10	HOSE CLAMP	1	13. 2D	-			2600
92	056-11000-30	HOSE CLAMP	1	10D	-			2600
100	011-00602-20	FLANGE BOLT	4		-			2600
108	391-39000-13	RUBBER (TANK)	4		-			2600
948	073-20045-10	LABEL (SYMBOL-TANK)	1		-			2600

FIG. 2900



2 9 A C C E S S O R I E S

REF.	PARTS NUMBER	PARTS NAME	QTY	REMARKS	CODE NO. FROM-TO	INTERCHANGEABLE PART NUMBER	UNIT PRICE	FIG.
10	277-90301-H0	ACCESSORY TOOL KIT	1		-			2900

PART NUMBER INDEX LIST

PARTS NUMBER	PARTS NAME	FIG.	REF.	PARTS NUMBER	PARTS NAME	FIG.	REF.
001-04083-50	FLANGE BOLT	100	300	011-01001-10	FLANGE BOLT	2150	582
001-11062-50	BOLT AND WASHER AY	2500	274	013-00602-60	BOLT AND WASHER AY	700	742
001-14061-60	BOLT AND WASHER AY	700	740	013-10400-80	SCREW AND WASHER AY	2400	592
001-14062-50	BOLT AND WASHER AY	700	30	014-00601-21	SCREW	2300	44
001-14062-50	BOLT AND WASHER AY	2200	264	014-00601-90	SCREW	2400	720
001-14063-50	BOLT AND WASHER AY	2150	512	014-90500-20	ADJUST SCREW	300	230
001-14064-50	BOLT AND WASHER AY	2150	513	014-90500-20	ADJUST SCREW	300	231
001-14081-60	BOLT AND WASHER AY	2300	120	015-00400-70	TAPPING SCREW	2400	170
001-14081-60	BOLT AND WASHER AY	2300	380	015-00400-70	TAPPING SCREW	2400	643
001-14082-50	BOLT AND WASHER AY	2110	187	017-00500-30	NUT	300	240
002-17030-00	NUT	2400	537	017-00500-30	NUT	300	241
002-17040-00	NUT	2400	594	018-01400-20	FLANGE NUT	200	50
002-18050-00	NUT	2130	333	020-00800-80	WASHER	2110	188
002-38060-00	FLANGE NUT	2130	353	020-01001-60	WASHER	2200	228
002-38060-00	FLANGE NUT	2500	277	021-11400-20	GASKET	100	90
002-38080-00	FLANGE NUT	2300	330	021-31600-20	GASKET	100	280
003-10040-00	WASHER	2400	172	024-00600-10	O RING	300	27
003-11120-00	WASHER	2300	786	032-30300-10	WOODRUFF KEY	200	70
003-13050-00	CLIP	300	202	040-11400-30	PLUG	100	80
003-13050-00	CLIP	400	50	043-05900-11	FUEL TANK CAP AY	2600	30
003-20050-00	SPRING WASHER	2200	218	044-00600-20	OIL SEAL	100	75
003-30050-00	LOCK WASHER	2400	684	044-02502-00	OIL SEAL	100	30
004-35051-60	SCREW AND WASHER AY	2130	332	044-02502-10	OIL SEAL	100	220
004-35061-00	SCREW AND WASHER AY	2500	617	056-11000-30	HOSE CLAMP	2600	92
004-36031-20	SCREW AND WASHER AY	2400	536	056-11100-20	HOSE CLAMP	2600	90
004-36051-60	SCREW AND WASHER AY	2200	311	056-11300-10	HOSE CLAMP	2600	91
004-36061-60	SCREW AND WASHER AY	2400	310	056-30000-20	WIRE BAND	2400	767
005-10302-50	COTTER PIN	2300	790	056-51600-10	CLIP	200	380
010-01002-00	BOLT	2200	224	056-60002-50	CLAMP	2170	774
010-50603-51	STUD	100	70	060-02501-40	BALL BEARING	100	230
010-50802-90	STUD	2110	110	060-02800-21	BALL BEARING	100	40
010-50805-10	STUD	2110	111	064-15400-11	FUEL FILTER	2600	40
011-00600-10	FLANGE BOLT	2170	771	064-20047-90	SCREW	2600	50 -13
011-00600-10	FLANGE BOLT	2510	160	064-20064-10	GASKET, O-RING	2600	50 -2
011-00600-20	FLANGE BOLT	100	710	064-20078-10	CUP	2600	50 -3
011-00600-20	FLANGE BOLT	300	290	064-20093-20	FILTER	2600	50 -1
011-00600-20	FLANGE BOLT	2130	373	064-20103-00	FUEL STRAINER AY	2600	50
011-00600-20	FLANGE BOLT	2150	562	064-80015-00	FUEL GAUGE CP	2600	45
011-00600-20	FLANGE BOLT	2300	627	065-01401-50	SPARK PLUG	700	100
011-00600-20	FLANGE BOLT	2300	782	065-50002-70	SPARK PLUG CAP	700	110
011-00600-20	FLANGE BOLT	2600	57	066-00003-30	KEY SWITCH	2400	10
011-00600-50	FLANGE BOLT	2130	372	066-00099-80	KEY	2400	11
011-00600-50	FLANGE BOLT	2400	362	073-20026-51	LABEL (EARTH)	2300	928
011-00600-80	FLANGE BOLT	2300	43	073-20045-00	LABEL (HOT&GAS)	2500	956
011-00600-80	FLANGE BOLT	2500	461	073-20045-10	LABEL (SYMBOL-TANK)	2600	948
011-00601-40	FLANGE BOLT	2150	522	073-20053-70	LABEL (91DB)	2500	960
011-00601-60	FLANGE BOLT	2130	315	085-10600-00	RUBBER PIPE	2600	80
011-00601-80	FLANGE BOLT	2500	272	085-10800-00	RUBBER PIPE	2130	354
011-00601-80	FLANGE BOLT	2500	460	132-10KA0-31	COLLET-VALVE	300	95
011-00602-20	FLANGE BOLT	2600	100	226-45001-03	RETURN SPRING	2400	713
011-00604-70	FLANGE BOLT	720	131	227-70561-08	NUT (PINION STOP)	720	120 -8
011-00604-80	FLANGE BOLT	720	130	227-70562-08	RING, SNAP	720	120 -16
011-00801-50	FLANGE BOLT	2110	183	227-70572-08	O RING	720	120 -44
011-00802-40	FLANGE BOLT	100	630	227-70573-08	WASHER	720	120 -20
011-00802-70	FLANGE BOLT	2110	182	227-70574-08	COLLER	720	120 -43
011-00803-10	FLANGE BOLT	100	631	227-70577-08	BOLT	720	120 -73



PART NUMBER INDEX LIST

PARTS NUMBER	PARTS NAME	FIG.	REF.	PARTS NUMBER	PARTS NAME	FIG.	REF.
227-75001-03	GROMMET	2400	528	277-50406-08	RETAINING RING	2150	520 -10
237-14202-03	VALVE GUIDE	100	20	277-50407-08	FRICTION PLATE	2150	520 -8
251-17302-03	MESH PROTECTOR	2600	85	277-50408-08	STARTER PORE	2150	520 -3
251-62350-08	PACKING	2160	610 -17	277-50409-08	STARTER KNOB	2150	520 -4
251-62449-08	SPRING	2160	610 -41	277-52001-13	BLOWER HOUSING	2150	510
251-62466-08	BOLT	2160	610 -28	277-52702-03	BAFFLE 2 (HEAD)	2150	560
251-62559-08	SEAL	2160	610 -32	277-52712-03	BAFFLE 1(CASE)	500	60
254-70576-08	NUT	720	120 -19	277-54101-13	COOLING BLOWER	2150	530
269-33701-03	SPRING RETAINER	300	70	277-62451-08	BRACKET (WIRE)	2160	610 -155
277-11001-31	MAIN BEARING COVER C	100	210	277-62532-08	THROTTLE SHAFT	2160	610 -11
277-15001-23	GASKET (HEAD)	100	620	277-62536-08	THROTTLE VALVE	2160	610 -1
277-15011-03	PIPE KNOCK	100	50	277-62581-08	ADJUST SCREW	2160	610 -40
277-15011-03	PIPE KNOCK	100	700	277-62590-08	VINYL PIPE	2160	610 -191
277-15501-01	ROCKER COVER CP	100	680	277-62595-08	COVER (MOTOR)	2160	610 -404
277-16001-13	GASKET(ROCKER COVER)	100	690	277-63601-13	OIL GAUGE	100	270
277-16010-01	STEM SEAL	100	26	277-70501-08	GEAR HOUSING AY	720	120 -9
277-23001-03	CONNECTING ROD BOLT	200	320	277-70502-00	STARTING MOTOR AY	720	120
277-23301-03	PISTON PIN	200	350	277-70502-08	FRAME AY	720	120 -11
277-23401-03	PISTON	200	360	277-70520-08	CLUTCH, SUB-AY	720	120 -7
277-23403-03	PISTON	200	361	277-70550-08	YOKE AY	720	120 -1
277-23404-03	PISTON	200	362	277-70551-08	ARMATURE AY	720	120 -6
277-23501-17	PISTON RING SET	200	370	277-70560-08	SPRING	720	120 -33
277-23502-17	PISTON RING SET	200	371	277-70570-08	THROUGH BOLT	720	120 -17
277-23503-17	PISTON RING SET	200	372	277-70571-08	O RING	720	120 -46
277-24401-03	DRIVING SHAFT	2150	580	277-70572-08	WIRE, SUB-AY	720	120 -49
277-32604-08	PACKING	2130	350 -220	277-70573-08	CONTACTOR AY	720	120 -15
277-32622-20	AIR CLEANER AY	2130	350	277-70574-08	SCREW	720	120 -32
277-32632-08	BASE CP	2130	350 -200	277-71002-03	RING GEAR	700	20
277-32643-18	COVER CP	2130	350 -250	277-75501-03	CLAMP (SEL)	500	135
277-32661-17	ELEMENT SET	2130	351	277-76301-11	OIL SENSOR CP	700	700
277-32910-03	INSULATOR	2130	360	277-79231-01	FLYWHEEL CP	700	10
277-33401-H3	INTAKE VALVE	300	80	277-79431-01	IGNITION COIL CP	700	11
277-33501-H3	EXHAUST VALVE	300	90	277-90301-H0	ACCESSORY TOOL KIT	2900	10
277-35002-01	PIN (ROCKER) CP	300	200	277-99001-27	GASKET SET	100	960
277-35101-03	PIN (CAM SHAFT)	300	25	278-10102-41	CRANK CASE CP	100	10
277-35201-13	GASKET (MUFFLER)	2130	320	278-13005-01	CYLINDER HEAD CP	100	610
277-35902-H3	GASKET 1 (INSULATOR)	2130	361	278-20701-31	CRANKSHAFT CP	200	10
277-35903-H3	GASKET 2 (INSULATOR)	2130	362	278-22501-10	CONNECTING ROD AY	200	310
277-36201-00	ROCKER ARM (IN) AY	300	220	278-30411-31	MUFFLER CP (SILENT)	2130	310
277-36202-00	ROCKER ARM (EX) AY	300	225	278-31601-11	CAM SHAFT CP	300	10
277-36401-03	RELEASE LEVER	300	35	278-35601-11	TIMING CHAIN CP	300	150
277-36501-03	CLIP	300	37	278-39701-03	SPONGE (INSULATOR)	2130	365
277-36902-03	PIN (TENTIONER)	300	166	278-62330-00	CARBURETOR AY	2160	610
277-36911-03	TENTIONER	300	160	278-62402-08	MAIN JET	2160	610 -22
277-36913-13	CHAIN GUIDE	300	170	278-62421-08	SLOW JET	2160	610 -5
277-37101-03	SPRING (TENTIONER)	300	163	279-33601-03	VALVE SPRING	300	60
277-37210-03	TAIL SCREEN COVER	2130	330	279-38701-13	RETURN SPRING	300	38
277-37220-03	SCREEN	2130	331	279-62500-08	NEEDLE	2160	610 -14
277-38601-03	PIN (SPRING)	300	34	279-73105-H1	WIRE 5 CP	700	50
277-39004-01	BRACKET (A/C) 1 CP	2130	370	284-62315-08	SPRING (THROTTLE)	2160	610 -109
277-48601-03	PIN (BLIND)	400	20	284-62355-08	BOLT	2160	610 -12
277-50401-00	RECOIL STARTER AY	2150	520	284-62445-08	SPRING (CHOKE)	2160	610 -25
277-50402-08	SPIRAL SPRING	2150	520 -1	284-62446-08	SPRING	2160	610 -412
277-50403-08	REEL	2150	520 -2	284-62450-08	O RING	2160	610 -152
277-50404-08	RACHET	2150	520 -5	284-62451-08	O RING	2160	610 -151
277-50405-08	FRICTION SPRING	2150	520 -6	284-62455-08	SCREW	2160	610 -2

PART NUMBER INDEX LIST

PARTS NUMBER	PARTS NAME	FIG. REF.	PARTS NUMBER	PARTS NAME	FIG. REF.
284-62455-08	SCREW	2160 610 -4	33K-94002-03	LABEL (CAUTION)	2500 910
284-62456-08	SCREW	2160 610 -23	34B-21001-08	BEARING	2200 222
284-62457-08	SCREW	2160 610 -408	34B-23071-01	REAR COVER	2200 260
284-62457-08	SCREW	2160 610 -428	34B-48002-01	WIRE HARNESS CP	2400 430
284-62458-08	SCREW	2160 610 -406	34B-48091-01	EARTH WIRE CP	2300 441
284-62505-08	FLOAT AY	2160 610 -19	34B-48101-01	WIRE HARNESS(E/G) CP	2200 430
284-62515-08	PIN	2160 610 -15	34B-49122-03	SHEET (PANEL VS) 22	2400 510
284-62520-08	CHOKE LEVER	2160 610 -8	34B-55001-03	COVER (INVERTOR)	2200 305
284-62525-08	CHOKE VALVE	2160 610 -3	34B-57310-03	SEAL SPONGE FC1	2500 280
284-62540-08	CHAMBER PACKING	2160 610 -18	34B-57311-03	SEAL SPONGE FC2	2400 470
284-62550-08	FLOAT BODY	2160 610 -16	34B-57311-03	SEAL SPONGE FC2	2500 290
284-62555-08	JOINT LEVER	2160 610 -410	34C-20061-01	ROTOR CP	2200 220
284-62561-08	COLLAR	2160 610 -107	34C-21051-01	STATOR CP	2200 210
284-62575-08	BRACKET	2160 610 -420	34C-21051-08	BOLT	2200 214
284-62576-08	BRACKET (MOTOR)	2160 610 -402	34C-45718-10	CONTROL PANEL AY	2400 500
284-62580-08	MOTOR	2160 610 -400	34G-30001-01	FRAME CP	2300 10
31B-79011-03	SCREW	2400 665	34G-51001-01	SIDE COVER (R) CP	2500 310
32B-30201-01	MOUNT CP(R)	2300 323	34G-51101-01	SIDE COVER (L) CP	2500 330
32B-30202-01	MOUNT CP(L)	2300 322	34G-53002-01	BASE PLATE(UPPER) CP	2300 110
32B-30211-01	MOUNT CP(R)	2300 320	34G-53101-01	BASE PLATE(LOWER) CP	2300 50
32B-30212-01	MOUNT CP(L)	2300 321	34G-54101-01	FAN (SILENT) CP	2110 185
332-00050-08	SPRING WASHER	2400 681	34G-55001-01	COVER(RECOIL KNOB)CP	2500 610
33B-35001-01	BOTTOM EXT. PLATE CP	2110 180	34G-55002-01	PLATE CP	2500 615
33B-35501-01	BRACKET (COVER) CP	2500 215	34G-55101-03	SIDE RUBBER SEAL	2500 315
33B-35601-01	BATTERY BASE	2300 40	34G-55101-03	SIDE RUBBER SEAL	2500 335
33B-35701-03	BATTERY COVER	2300 837	34G-55201-01	SHAFT (WHEEL) CP	2300 350
33B-35801-02	BRACKET (REG) UN	2400 336	34G-55211-21	DRAIN GUIDE CP	2300 625
33B-45009-01	PANEL PLATE CP	2400 505	34G-55301-01	COVER BOLT CP	2500 360
33B-46001-03	COVER (COCK)	2400 171	34G-55302-01	SPACER CP	2500 365
33B-46012-01	BRACKET (COCK)	2400 175	34G-56002-10	BRAKE -2 AY	2300 370
33B-46015-01	BRACKET (MICRO)	2400 640	34G-56102-13	SPRING (BRAKE)	2300 376
33B-46021-01	CHOKE WIRE CP	2400 710	34G-56351-01	MUF COVER (L) CP	2500 420
33B-47202-01	REGULATOR CP	2400 330	34G-57201-03	SPONGE (TANK)	2510 682
33B-48051-01	WIRE HARNESS CP	2400 431	34G-57321-03	SEAL SPONGE (SIDE)	2500 405
33B-48071-11	BATTERY WIRE CP	2300 832	34G-57322-03	SEAL SPONGE (MF17.21)	2500 490
33B-48091-01	EARTH WIRE CP	2300 440	34G-59001-13	SPONGE (S COVER-R)	2500 380
33B-50001-01	FRONT COVER(UPPER)CP	2400 110	34G-59002-13	SPONGE (S COVER-L)	2500 390
33B-50101-01	FRONT COVER(LOWER)CP	2500 210	34G-59003-03	SPONGE (BASE)	2300 130
33B-50501-01	REAR COVER(UPPER)CP	2500 230	34G-59004-03	SPONGE (BASE)	2300 80
33B-52601-03	BAFFLE	2130 313	34G-59008-03	SPONGE (S COVER-L)	2500 391
33B-56101-11	SEPARATOR (A/C)	2510 150	34H-90003-03	LABEL (TRADE MARK)	2400 900
33B-56102-11	SEPARATOR (SEL)	2510 151	34H-91003-03	LABEL (TRADE MARK-R)	2500 900
33B-56411-01	MUF COVER (REAR)CP	2500 410	34H-92003-03	LABEL (TRADE MARK-L)	2500 901
33B-57001-03	SEAL RUBBER(TANK)	2510 680	34H-96006-13	LABEL (SPEC)	2500 904
33B-57002-03	SEAL SPONGE(MUF)	2510 681	34K-20903-08	RECTIFIER	2200 360
33B-57005-03	SEAL RUBBER	2500 425	34K-20904-08	SCREW	2200 362
33B-57103-03	GLASS WOOL	2500 482	34K-20905-08	SCREW	2200 680
33B-57105-03	GLASS WOOL (M-COVER)	2500 480	34K-20907-08	BAND	2200 767
33B-58001-01	BATTERY BAND	2300 815	352-45620-08	CIRCUIT BREAKER	2400 660
33B-60104-01	FUEL TANK CP	2600 10	353-49901-08	WING NUT	2400 685
33B-66001-03	RUBBER PIPE	2600 81	353-49902-08	NUT	2400 683
33K-41811-03	MICRO SWITCH	2400 615	353-49903-08	WASHER	2400 682
33K-41814-08	TAPPING SCREW	2400 642	353-49904-08	TAPPING SCREW	2400 480
33K-42010-03	CONTROL DIAL	2400 630	358-40621-08	AC CONCENT (FINLAND)	2400 530
33K-42020-03	CHOKE REEL	2400 636	363-45700-08	TERMINAL BOLT	2400 672
33K-42030-13	PLATE	2400 638	363-45701-08	TERMINAL BOLT	2400 671

PART NUMBER INDEX LIST

PARTS NUMBER	PARTS NAME	FIG. REF.	PARTS NUMBER	PARTS NAME	FIG. REF.
388-88001-03	SCREW AND WASHER AY	2400 680			
391-39000-13	RUBBER (TANK)	2600 108			
393-30603-01	WHEEL CP	2300 180			
980-20082-80	FLANGE NUT	2130 322			
980-40081-10	STR PIN -8X10	720 128			
980-40081-10	STR PIN -8X10	2150 515			
KU3-10720-21	INV & E/G C/U CP(F9)	2200 302			
KU3-11770-11	MONITOR C/U CP(INV2)	2400 590			