



**Robin Generator**

**Model      RG4300iS**

**For DEU**

**PARTS CATALOG**

**Spec. No. RAS43017510**  
**(E/G Spec. No. EX270DS2080)**

**富士重工業株式会社**  
**FUJI HEAVY INDUSTRIES LTD.**

|                         |                |
|-------------------------|----------------|
| <b>ISSUE EMD-GP6025</b> |                |
| <b>ISSUE DATE</b>       | <b>2004.05</b> |

# HOW TO USE THIS PARTS CATALOG

| ① 6 FUEL LUBRICANT |              |                  |      |                    |                  |                             |            |      |   |
|--------------------|--------------|------------------|------|--------------------|------------------|-----------------------------|------------|------|---|
| REF.               | PART NUMBER  | PART NAME        | QTY. | REMARKS            | CODE NO. FROM-TO | INTERCHANGEABLE PART NUMBER | UNIT PRICE | FIG. |   |
| 10                 | 281-60101-01 | FUEL TANK CP     | 1    | 2. 8L NEW R YELLOW | -                |                             |            | 600  | ② |
| 20                 | 073-20044-50 | LABEL(CAUTION)   | 1    | 38X70              | -                |                             |            | 600  |   |
| 30                 | 043-04300-15 | FUEL TANK CAP CP | 1    | 43DX68DX14H        | 5296-            |                             |            | 600  |   |
|                    | 043-04301-00 | FUEL TANK CAP CP | 1    |                    | -5295            |                             |            | 600  |   |
| 40                 | 064-13600-10 | FUEL FILTER      | 1    | 36DX46DX43H        | -                |                             |            | 600  |   |
| 50                 | 064-20064-00 | FUEL STRAINER AY | 1    |                    | -                |                             |            | 630  |   |
| - 1                | 064-20064-20 | FILTER           | 1    |                    | -                |                             |            | 630  |   |
| - 2                | 064-20064-10 | PACKING          | 1    |                    | -                |                             |            | 630  |   |
| - 3                | 064-20042-10 | CUP, STRAINER    | 1    |                    | -                |                             |            | 630  |   |

- ① **SECTION NAME** .....Parts are broadly classified according to their functions. Refer to section indexes(contents)for respective section name.
- ② **FIG.No.** .....It indicates illustration number. FIG.No. with the same figure in the third of hundreds shows that it is in a group of the same section. FIG.No. illustrating the target part can be read in the right-end section of the list.
- ③④ **REF.No.** .....It is a number to compare the part illustrated with the part number in the list.Serch for REF.No. in the list in the corresponding REF.No. in the illustration to determine the part number.  
Section ④ shows a 'SUB-ASSEMBLY PART' of section ③ which is indicated by the number led by '-' such as '-1','-2'.
- ⑤ **PART NUMBER** .....It is the number assigned for sales unit.  
Use the PART No. when marking an order.
- ⑥ **PART NAME**.....It is designation of the part.
- ⑦ **Q'ty**.....Quantity of part being employed for each product.
- ⑧ **REMARKS** ..... This gives a distinctive feature and/or a supplementary comment for the type,the specification, and the part concerned.
- ⑨ **INTERCHANGEABLE...PART NUMBER** ⑤...It shows part number(s) interchangeable for the part given in the section
- ⑩ **CODE No.** .....It indicates history of progress in which improved parts have been introduced in the product.The CODE No. helps to identify PART No. being employed in the product concerned.
- |  |       |  |  |
|--|-------|--|--|
|  | —     |  | The part has been employed in the product irrespective of CODE No.                 |
|  | 5296— |  | The part is employed in the products with CODE No. of 5296 and after this number.  |
|  | —5295 |  | The part is employed in the products with CODE No. of 5295 and before this number. |

## Table of abbreviations / 略語一覽

| ABBREVIATIONS/略語 | DESCRIPTION      | 説明          |
|------------------|------------------|-------------|
| A                | AMPERE           | アンペア        |
| AC               | AIR CLEANER      | エアクリーナ      |
| AY               | ASSEMBLY         | アッセンブリ      |
| B                | BREADTH          | 幅           |
| BB               | BALL BEARING     | ボールベアリング    |
| CD               | CENTER DISTANCE  | 中心間距離       |
| CP               | COMPLETE         | コンプリート      |
| CY               | CYLINDER         | シリンダ        |
| D                | DIAMETER         | 内径、外径、中心径   |
| EX               | EXPORT           | 輸出          |
| EX               | EXHAUST          | 排気          |
| FIG              | FIGURE           | フィギュア (図解)  |
| FR               | FRONT            | 前側          |
| H                | HEIGHT           | 高さ          |
| HZ               | HERTZ            | ヘルツ         |
| IN               | INCH             | インチ         |
| IN               | INTAKE           | 吸入          |
| L                | LITER            | リットル        |
| L                | LENGTH           | 長さ          |
| LH               | LEFT HAND        | 左側          |
| MG               | MAGNETIC         | マグネチック      |
| N                | NUMBER           | 数、巻数        |
| N R Y            | NEW ROBIN YELLOW | 新ロビン色       |
| OS               | OIL SENSOR       | オイルセンサ      |
| O. S.            | OVER SIZE        | オーバーサイズ     |
| P                | PITCH            | ピッチ         |
| PD               | PITCH DIAMETER   | 中心径         |
| PTO              | POWER TAKE OFF   | 動力取出し       |
| REF              | REFERENCE        | レファレンス (照合) |
| RH               | RIGHT HAND       | 右側          |
| RR               | REAR             | 後側          |
| ST               | STARTER MOTOR    | スターターモータ    |
| STD              | STANDARD         | 標準          |
| SW               | SPRING WASHER    | スプリングワッシャ   |
| SW               | SWITCH           | スイッチ        |
| T                | THICKNESS        | 厚さ          |
| TH               | THROTTLE         | スロットル       |
| UN               | UNIT             | ユニット        |
| U. S.            | UNDER SIZE       | アンダーサイズ     |
| V                | VOLTAGE          | ボルト         |
| W                | WASHER           | ワッシャ        |
| W                | WATT             | ワット         |
| W                | WIDTH            | 幅           |
| W/               | WITH             | 付き          |
| W/O              | WITHOUT          | 無し          |
|                  |                  |             |

# CONTENTS

## ENGINE PARTS

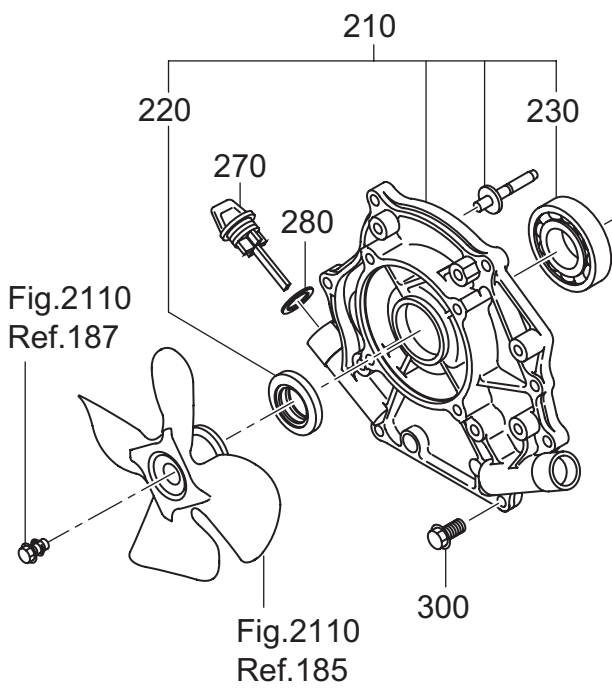
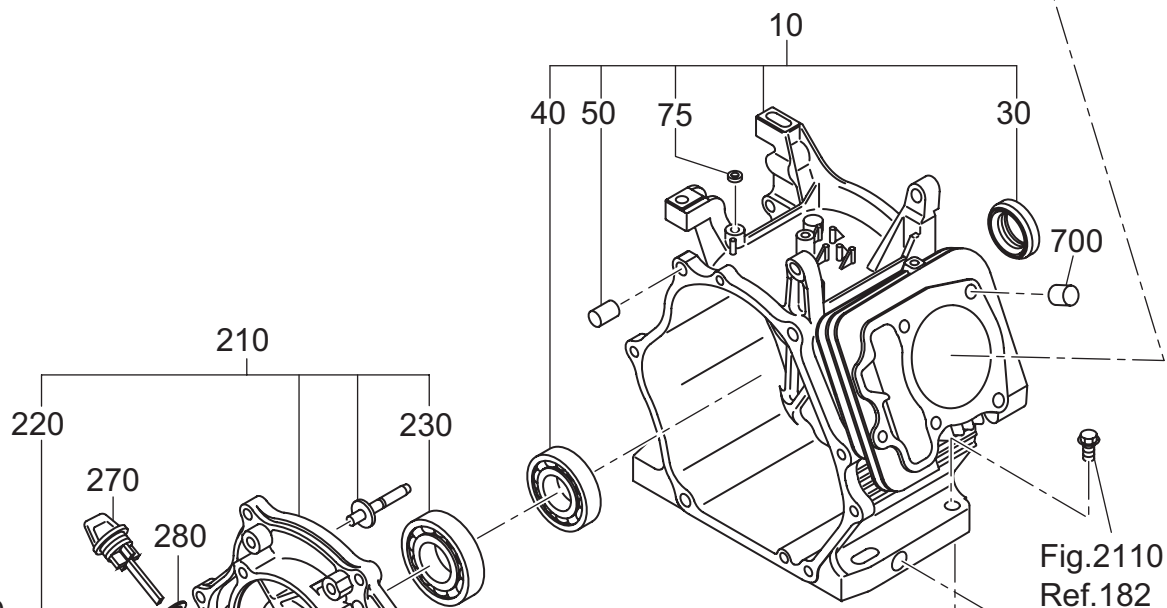
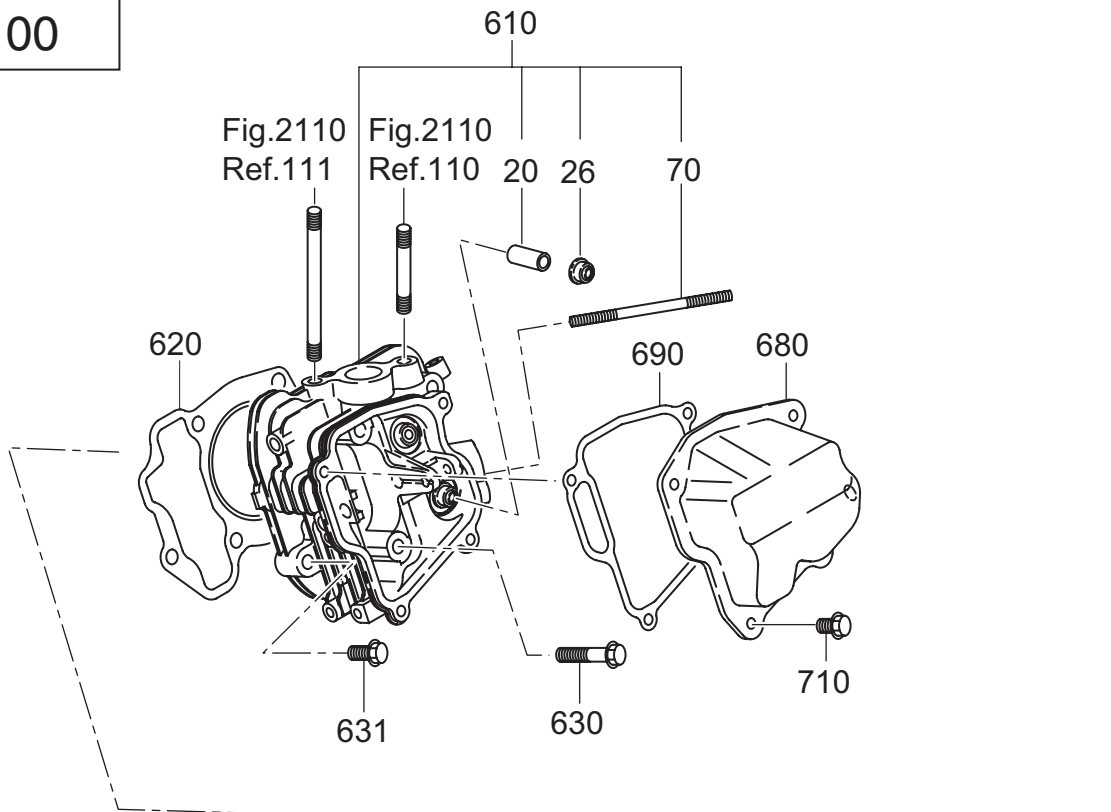
|   |                     | FIG.    | PAGE |
|---|---------------------|---------|------|
| 1 | CRANK CASE          | 100     | 1    |
| 2 | CRANKSHAFT, PISTON  | 200     | 3    |
| 3 | INTAKE, EXHAUST     | 300     | 5    |
| 4 | GOVERNER, OPERATION | 400     | 7    |
| 5 | COOLING, STARTING   | 500     | 9    |
| 7 | ELECTRIC DEVICE     | 700-720 | 10   |

## GENERATOR PARTS

|    |  |                          |    |
|----|--|--------------------------|----|
| 21 | ENGINE   | 2110·2130·2150·2160·2170 | 14 |
|    | (INC. MUFFLER, AIR CLEANER, RECOIL STARTER, CARBURETOR, ELECTRIC DEVICE) |                          |    |
| 22 | GENERATOR  | 2200                     | 21 |
| 23 | BASE, FRAME  | 2300                     | 23 |
| 24 | CONTROL  | 2400                     | 25 |
| 25 | COVER  | 2500·2510                | 28 |
| 26 | FUEL TANK  | 2600                     | 32 |
| 29 | ACCESSORIES  | 2900                     | 34 |

|                                |           |
|--------------------------------|-----------|
| <b>PARTS NUMBER INDEX LIST</b> | <b>36</b> |
|--------------------------------|-----------|

FIG. 100



960—GASKET SET

# 1 CRANK CASE

| REF. | PARTS NUMBER | PARTS NAME            | QTY | REMARKS | CODE NO.<br>FROM-TO | INTERCHANGEABLE<br>PART NUMBER | UNIT<br>PRICE | FIG. |
|------|--------------|-----------------------|-----|---------|---------------------|--------------------------------|---------------|------|
| 10   | 279-10102-51 | CRANK CASE CP         | 1   |         | -                   |                                |               | 100  |
| 20   | 237-14202-03 | VALVE GUIDE           | 2   | O. S.   | -                   |                                |               | 100  |
| 26   | 277-16010-01 | STEM SEAL             | 1   |         | -                   |                                |               | 100  |
| 30   | 044-03001-60 | OIL SEAL              | 1   |         | -                   |                                |               | 100  |
| 40   | 060-03003-41 | BALL BEARING          | 1   |         | -                   |                                |               | 100  |
| 50   | 277-15011-03 | PIPE KNOCK            | 2   |         | -                   |                                |               | 100  |
| 70   | 010-50604-10 | STUD                  | 2   |         | -                   |                                |               | 100  |
| 75   | 044-00600-20 | OIL SEAL              | 1   |         | -                   |                                |               | 100  |
| 80   | 040-11400-30 | PLUG                  | 2   |         | -                   |                                |               | 100  |
| 90   | 021-11400-20 | GASKET                | 2   |         | -                   |                                |               | 100  |
| 210  | 279-11001-21 | MAIN BEARING COVER C  | 1   |         | -                   |                                |               | 100  |
| 220  | 044-03001-60 | OIL SEAL              | 1   |         | -                   |                                |               | 100  |
| 230  | 060-03003-70 | BALL BEARING          | 1   |         | -                   |                                |               | 100  |
| 270  | 279-63601-13 | OIL GAUGE             | 2   |         | -                   |                                |               | 100  |
| 280  | 021-32000-50 | GASKET                | 2   |         | -                   |                                |               | 100  |
| 300  | 001-04083-50 | FLANGE BOLT           | 7   |         | -                   |                                |               | 100  |
| 610  | 279-13005-01 | CYLINDER HEAD CP      | 1   |         | -                   |                                |               | 100  |
| 620  | 279-15001-33 | GASKET (HEAD)         | 1   |         | -                   |                                |               | 100  |
| 630  | 011-00802-40 | FLANGE BOLT           | 4   | M8X68L  | -                   |                                |               | 100  |
| 631  | 011-00803-10 | FLANGE BOLT           | 1   | M8X33L  | -                   |                                |               | 100  |
| 680  | 277-15501-01 | ROCKER COVER CP       | 1   |         | -                   |                                |               | 100  |
| 690  | 277-16001-13 | GASKET (ROCKER COVER) | 1   |         | -                   |                                |               | 100  |
| 700  | 277-15011-03 | PIPE KNOCK            | 2   |         | -                   |                                |               | 100  |
| 710  | 011-00600-20 | FLANGE BOLT           | 4   | M6X12L  | -                   |                                |               | 100  |
| 960  | 279-99001-27 | GASKET SET            | 1   |         | -                   |                                |               | 100  |
|      |              |                       |     |         |                     |                                |               |      |
|      |              |                       |     |         |                     |                                |               |      |
|      |              |                       |     |         |                     |                                |               |      |
|      |              |                       |     |         |                     |                                |               |      |
|      |              |                       |     |         |                     |                                |               |      |
|      |              |                       |     |         |                     |                                |               |      |
|      |              |                       |     |         |                     |                                |               |      |
|      |              |                       |     |         |                     |                                |               |      |
|      |              |                       |     |         |                     |                                |               |      |
|      |              |                       |     |         |                     |                                |               |      |
|      |              |                       |     |         |                     |                                |               |      |
|      |              |                       |     |         |                     |                                |               |      |
|      |              |                       |     |         |                     |                                |               |      |
|      |              |                       |     |         |                     |                                |               |      |
|      |              |                       |     |         |                     |                                |               |      |
|      |              |                       |     |         |                     |                                |               |      |

FIG. 200

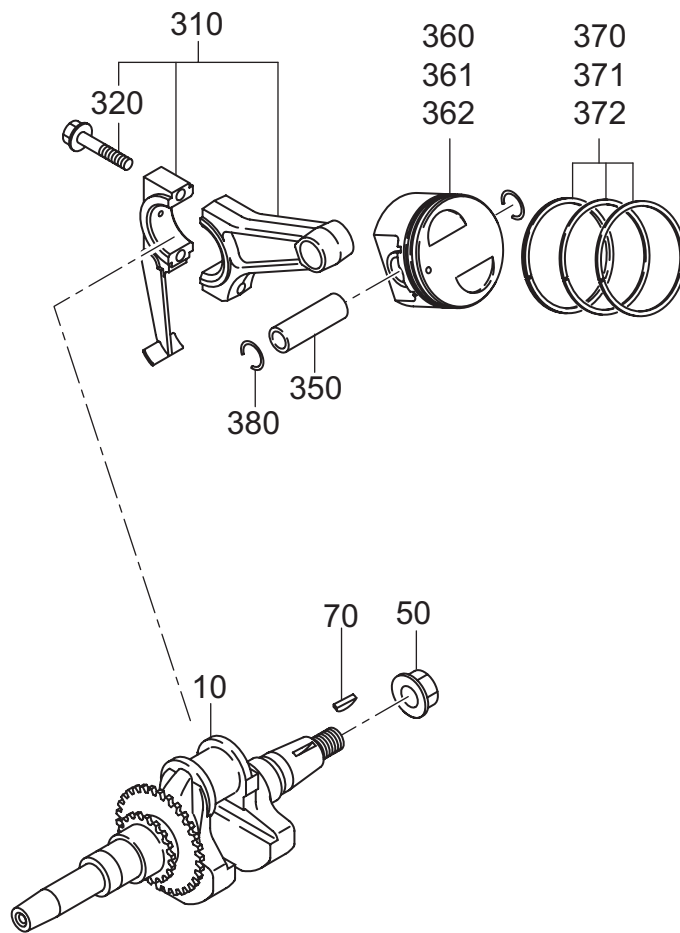
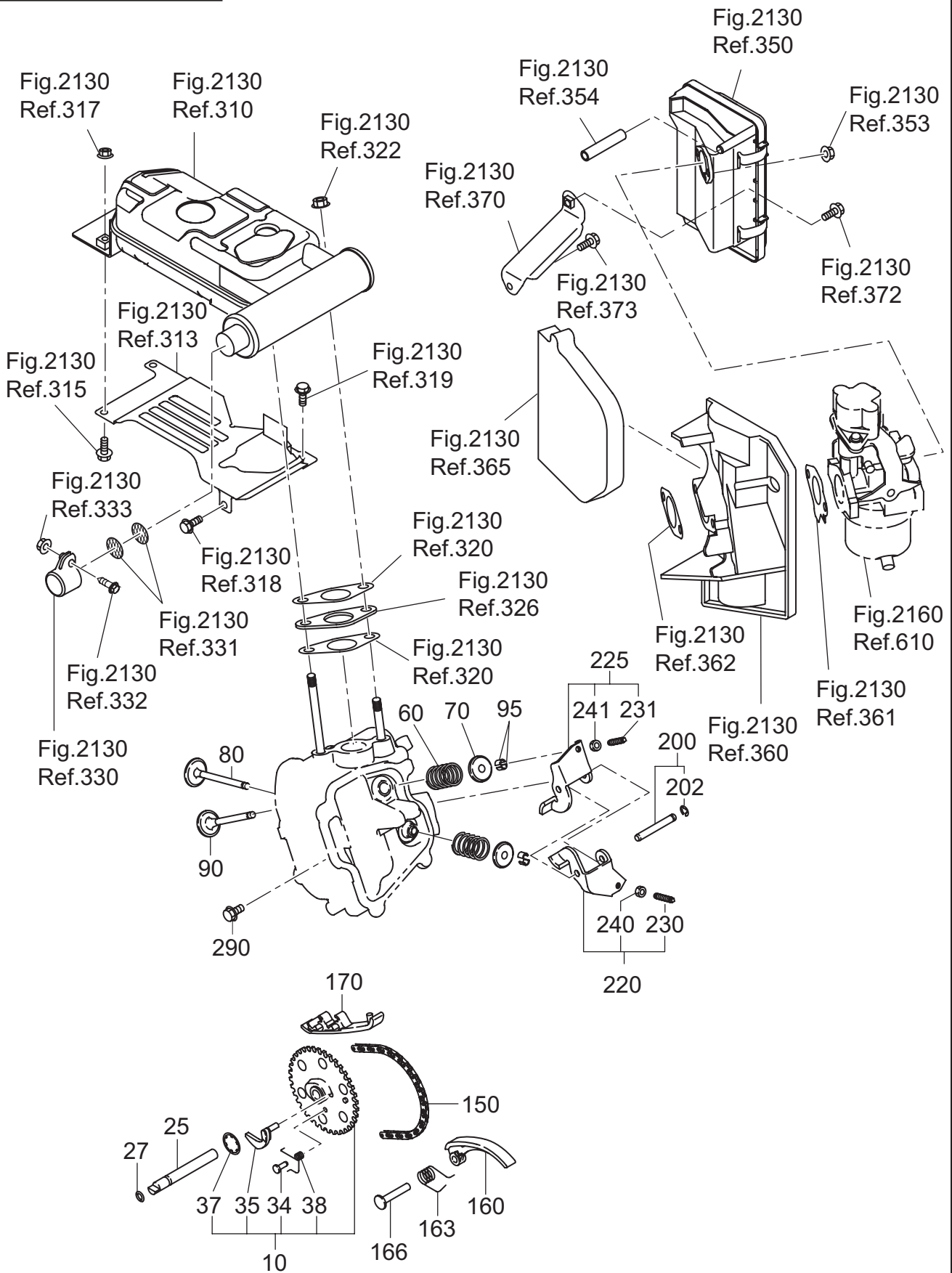






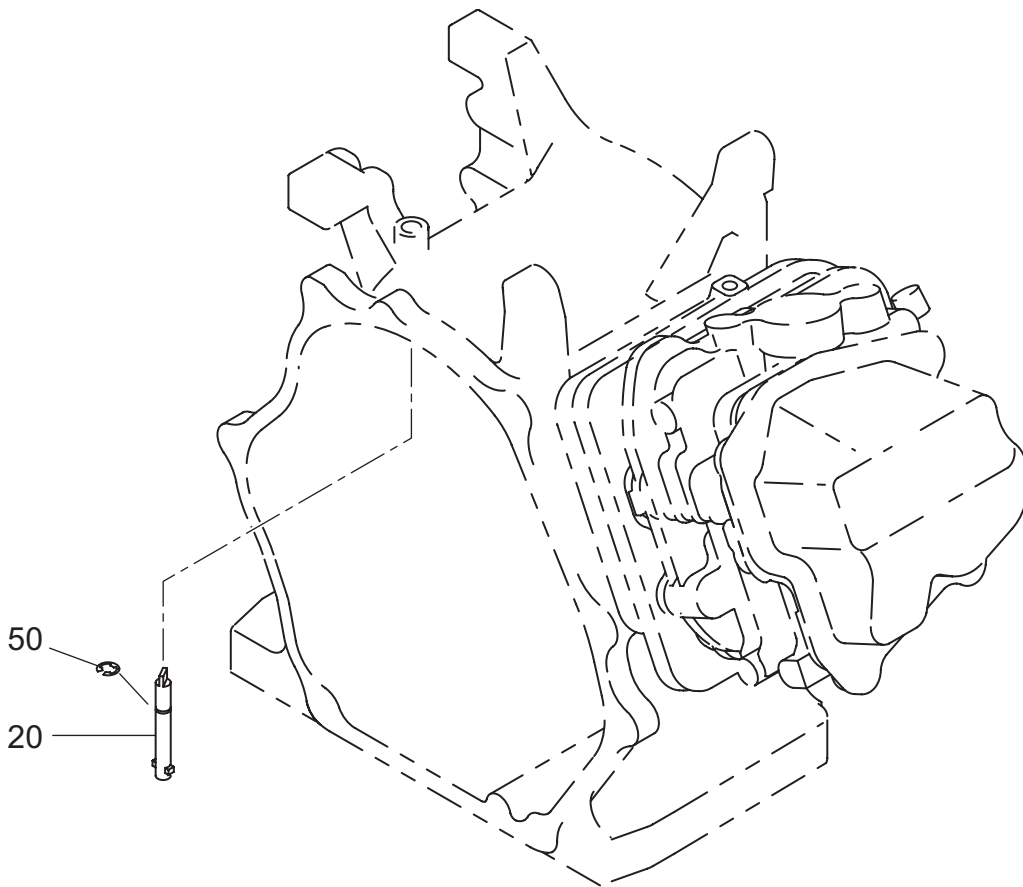
FIG. 300



3 INTAKE, EXHAUST

| REF. | PARTS NUMBER | PARTS NAME         | QTY | REMARKS | CODE NO. FROM-TO | INTERCHANGEABLE PART NUMBER | UNIT PRICE | FIG. |
|------|--------------|--------------------|-----|---------|------------------|-----------------------------|------------|------|
| 10   | 279-31602-11 | CAM SHAFT CP       | 1   |         | -                |                             |            | 300  |
| 25   | 277-35101-03 | PIN (CAM SHAFT)    | 1   |         | -                |                             |            | 300  |
| 27   | 024-00600-10 | O RING             | 1   |         | -                |                             |            | 300  |
| 34   | 277-38601-03 | PIN (SPRING)       | 1   |         | -                |                             |            | 300  |
| 35   | 279-36401-03 | RELEASE LEVER      | 1   |         | -                |                             |            | 300  |
| 37   | 277-36501-03 | CLIP               | 1   |         | -                |                             |            | 300  |
| 38   | 279-38701-13 | RETURN SPRING      | 1   |         | -                |                             |            | 300  |
| 60   | 279-33601-03 | VALVE SPRING       | 2   |         | -                |                             |            | 300  |
| 70   | 269-33701-03 | SPRING RETAINER    | 2   |         | -                |                             |            | 300  |
| 80   | 279-33401-13 | INTAKE VALVE       | 1   |         | -                |                             |            | 300  |
| 90   | 279-33501-13 | EXHAUST VALVE      | 1   |         | -                |                             |            | 300  |
| 95   | 132-10KA0-31 | COLLET-VALVE       | 4   |         | -                |                             |            | 300  |
| 150  | 279-35601-11 | TIMING CHAIN CP    | 1   |         | -                |                             |            | 300  |
| 160  | 277-36911-03 | TENTIONER          | 1   |         | -                |                             |            | 300  |
| 163  | 277-37101-03 | SPRING (TENTIONER) | 1   |         | -                |                             |            | 300  |
| 166  | 277-36902-03 | PIN (TENTIONER)    | 1   |         | -                |                             |            | 300  |
| 170  | 277-36913-13 | CHAIN GUIDE        | 1   |         | -                |                             |            | 300  |
| 200  | 277-35002-01 | PIN (ROCKER) CP    | 1   |         | -                |                             |            | 300  |
| 202  | 003-13050-00 | CLIP               | 1   |         | -                |                             |            | 300  |
| 220  | 277-36201-00 | ROCKER ARM (IN) AY | 1   |         | -                |                             |            | 300  |
| 225  | 277-36202-00 | ROCKER ARM (EX) AY | 1   |         | -                |                             |            | 300  |
| 230  | 014-90500-20 | ADJUST SCREW       | 1   | M5      | -                |                             |            | 300  |
| 231  | 014-90500-20 | ADJUST SCREW       | 1   | M5      | -                |                             |            | 300  |
| 240  | 017-00500-30 | NUT                | 1   | M5      | -                |                             |            | 300  |
| 241  | 017-00500-30 | NUT                | 1   | M5      | -                |                             |            | 300  |
| 290  | 011-00600-20 | FLANGE BOLT        | 1   | M6X12L  | -                |                             |            | 300  |
|      |              |                    |     |         |                  |                             |            |      |
|      |              |                    |     |         |                  |                             |            |      |
|      |              |                    |     |         |                  |                             |            |      |
|      |              |                    |     |         |                  |                             |            |      |
|      |              |                    |     |         |                  |                             |            |      |
|      |              |                    |     |         |                  |                             |            |      |
|      |              |                    |     |         |                  |                             |            |      |
|      |              |                    |     |         |                  |                             |            |      |
|      |              |                    |     |         |                  |                             |            |      |
|      |              |                    |     |         |                  |                             |            |      |
|      |              |                    |     |         |                  |                             |            |      |
|      |              |                    |     |         |                  |                             |            |      |
|      |              |                    |     |         |                  |                             |            |      |
|      |              |                    |     |         |                  |                             |            |      |
|      |              |                    |     |         |                  |                             |            |      |
|      |              |                    |     |         |                  |                             |            |      |
|      |              |                    |     |         |                  |                             |            |      |
|      |              |                    |     |         |                  |                             |            |      |
|      |              |                    |     |         |                  |                             |            |      |
|      |              |                    |     |         |                  |                             |            |      |
|      |              |                    |     |         |                  |                             |            |      |

FIG. 400



4 GOVERNER, OPERATION

| REF. | PARTS NUMBER | PARTS NAME  | QTY | REMARKS | CODE NO.<br>FROM-TO | INTERCHANGEABLE<br>PART NUMBER | UNIT<br>PRICE | FIG. |
|------|--------------|-------------|-----|---------|---------------------|--------------------------------|---------------|------|
| 20   | 277-48601-03 | PIN (BLIND) | 1   |         | -                   |                                |               | 400  |
| 50   | 003-13050-00 | CLIP        | 1   |         | -                   |                                |               | 400  |
|      |              |             |     |         |                     |                                |               |      |
|      |              |             |     |         |                     |                                |               |      |
|      |              |             |     |         |                     |                                |               |      |
|      |              |             |     |         |                     |                                |               |      |
|      |              |             |     |         |                     |                                |               |      |
|      |              |             |     |         |                     |                                |               |      |
|      |              |             |     |         |                     |                                |               |      |
|      |              |             |     |         |                     |                                |               |      |
|      |              |             |     |         |                     |                                |               |      |
|      |              |             |     |         |                     |                                |               |      |
|      |              |             |     |         |                     |                                |               |      |
|      |              |             |     |         |                     |                                |               |      |
|      |              |             |     |         |                     |                                |               |      |
|      |              |             |     |         |                     |                                |               |      |
|      |              |             |     |         |                     |                                |               |      |
|      |              |             |     |         |                     |                                |               |      |
|      |              |             |     |         |                     |                                |               |      |
|      |              |             |     |         |                     |                                |               |      |
|      |              |             |     |         |                     |                                |               |      |
|      |              |             |     |         |                     |                                |               |      |
|      |              |             |     |         |                     |                                |               |      |
|      |              |             |     |         |                     |                                |               |      |
|      |              |             |     |         |                     |                                |               |      |
|      |              |             |     |         |                     |                                |               |      |
|      |              |             |     |         |                     |                                |               |      |
|      |              |             |     |         |                     |                                |               |      |
|      |              |             |     |         |                     |                                |               |      |
|      |              |             |     |         |                     |                                |               |      |
|      |              |             |     |         |                     |                                |               |      |
|      |              |             |     |         |                     |                                |               |      |
|      |              |             |     |         |                     |                                |               |      |
|      |              |             |     |         |                     |                                |               |      |
|      |              |             |     |         |                     |                                |               |      |
|      |              |             |     |         |                     |                                |               |      |
|      |              |             |     |         |                     |                                |               |      |
|      |              |             |     |         |                     |                                |               |      |
|      |              |             |     |         |                     |                                |               |      |
|      |              |             |     |         |                     |                                |               |      |
|      |              |             |     |         |                     |                                |               |      |
|      |              |             |     |         |                     |                                |               |      |
|      |              |             |     |         |                     |                                |               |      |
|      |              |             |     |         |                     |                                |               |      |
|      |              |             |     |         |                     |                                |               |      |

FIG. 500

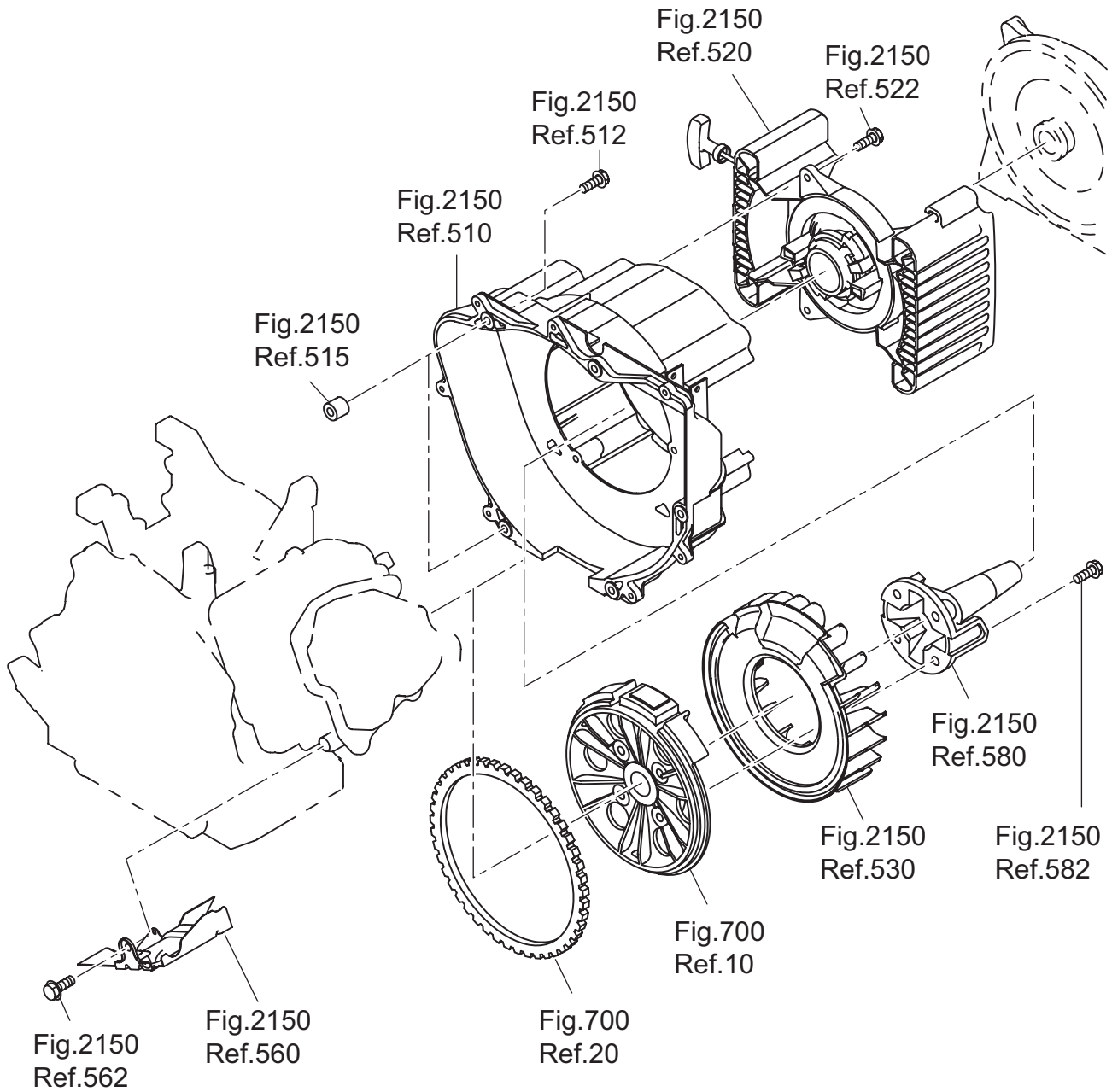


FIG. 700

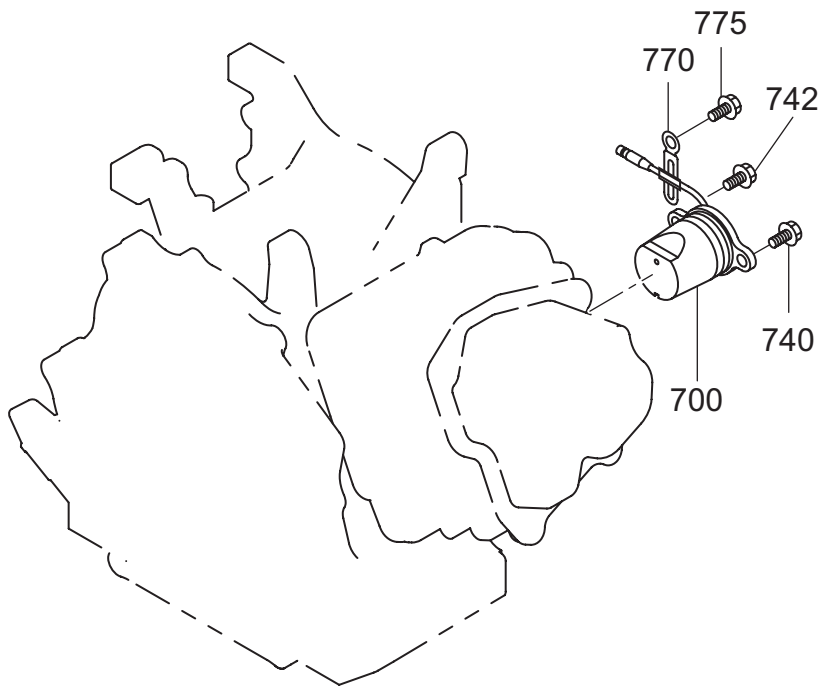
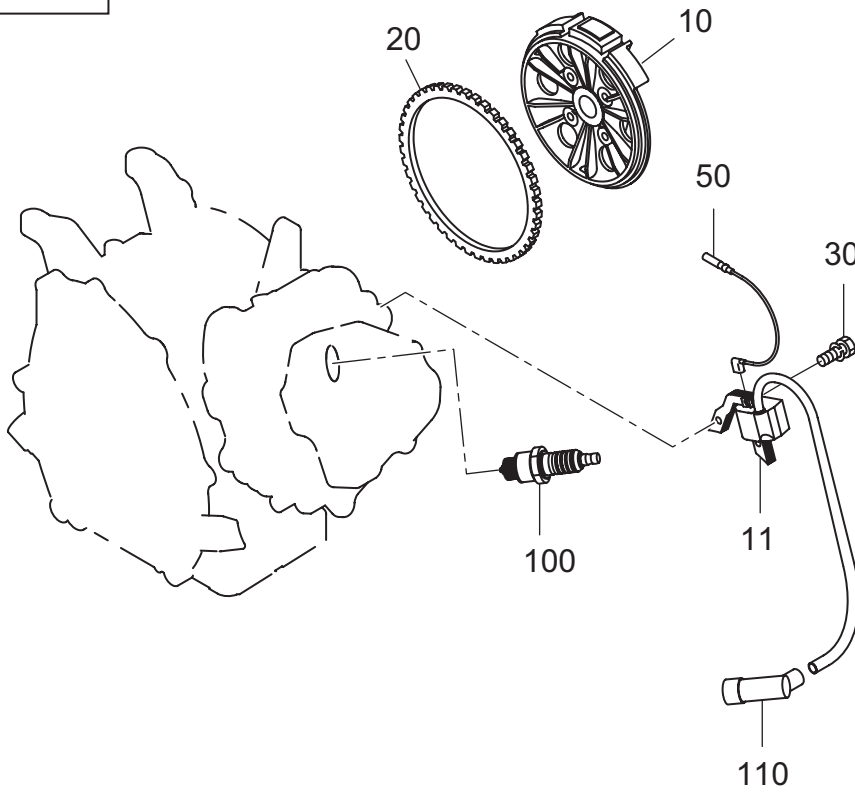
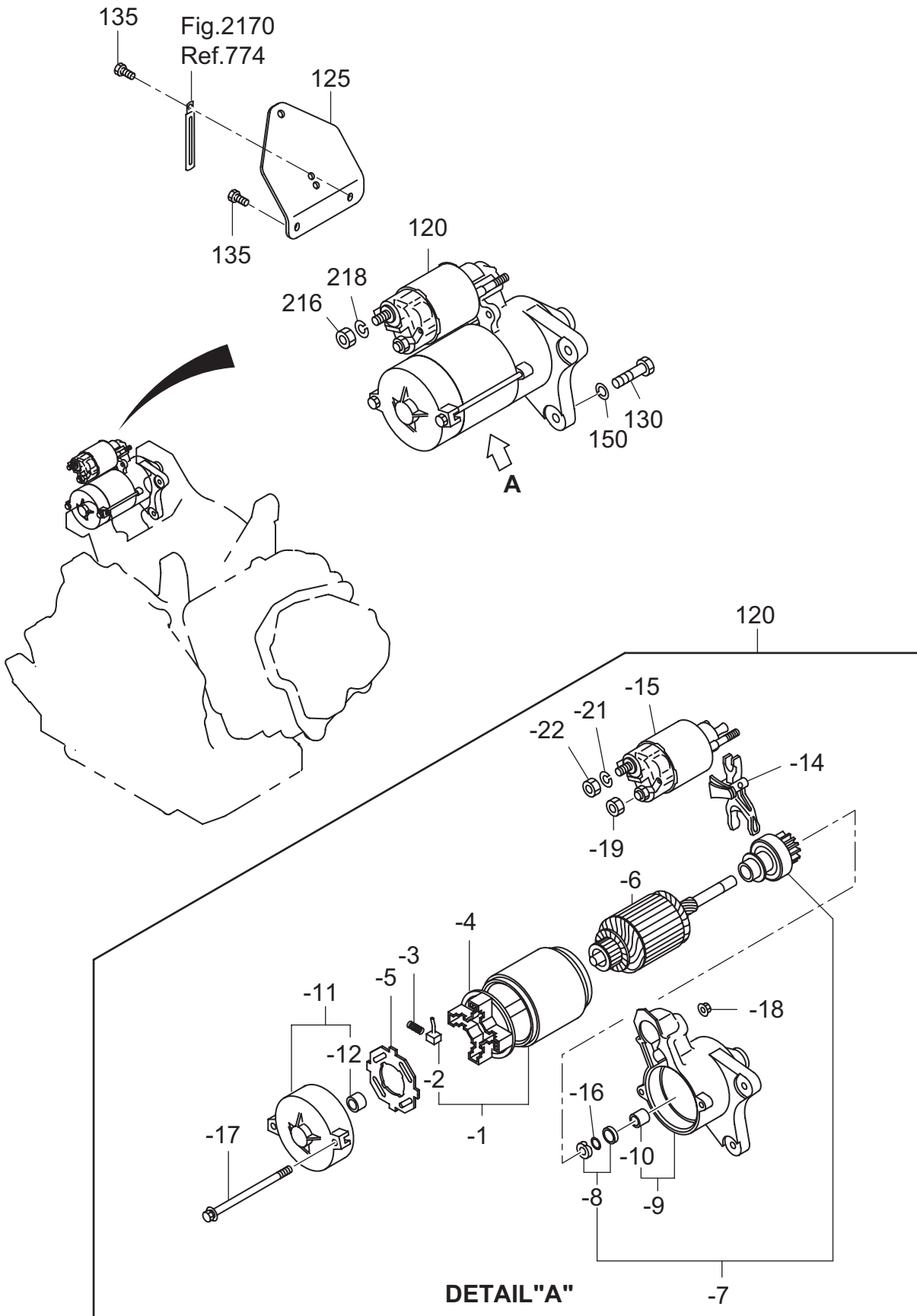


Fig.2160 Ref.610 CARBURETOR AY

FIG. 720



7 ELECTRIC DEVICE

| REF. | PARTS NUMBER | PARTS NAME           | QTY | REMARKS | CODE NO.<br>FROM-TO | INTERCHANGEABLE<br>PART NUMBER | UNIT<br>PRICE | FIG. |
|------|--------------|----------------------|-----|---------|---------------------|--------------------------------|---------------|------|
| 10   | 279-79261-11 | FLYWHEEL CP          | 1   |         | -                   |                                |               | 700  |
| 11   | 279-79431-01 | IGNITION COIL CP     | 1   |         | -                   |                                |               | 700  |
| 20   | 267-71002-03 | RING GEAR            | 1   |         | -                   |                                |               | 700  |
| 30   | 001-14062-50 | BOLT AND WASHER AY   | 2   |         | -                   |                                |               | 700  |
| 50   | 279-73105-H1 | WIRE 5 CP            | 1   |         | -                   |                                |               | 700  |
| 100  | 065-01401-50 | SPARK PLUG           | 1   |         | -                   |                                |               | 700  |
| 110  | 065-50002-70 | SPARK PLUG CAP       | 1   |         | -                   |                                |               | 700  |
| 700  | 279-76301-31 | OIL SENSOR CP        | 1   |         | -                   |                                |               | 700  |
| 740  | 001-14061-60 | BOLT AND WASHER AY   | 1   |         | -                   |                                |               | 700  |
| 742  | 013-00602-60 | BOLT AND WASHER AY   | 1   |         | -                   |                                |               | 700  |
| 770  | 279-75501-03 | WIRE CLAMP           | 1   |         | -                   |                                |               | 700  |
| 775  | 015-20600-50 | TAPPING BOLT         | 1   |         | -                   |                                |               | 700  |
| 120  | 279-70502-00 | STARTING MOTOR AY    | 1   |         | -                   |                                |               | 720  |
| -1   | 209-70550-08 | YOKE CP              | 1   |         | -                   |                                |               | 720  |
| -2   | 209-70551-08 | BRUSH                | 4   |         | -                   |                                |               | 720  |
| -3   | 209-70545-08 | BRUSH SPRING         | 4   |         | -                   |                                |               | 720  |
| -4   | 209-70530-08 | BRUSH HOLDER         | 1   |         | -                   |                                |               | 720  |
| -5   | 209-70552-08 | INSULATOR            | 1   |         | -                   |                                |               | 720  |
| -6   | 209-70554-08 | ARMATURE AY          | 1   |         | -                   |                                |               | 720  |
| -7   | 209-70521-08 | OVER RUNNING CLUT CP | 1   |         | -                   |                                |               | 720  |
| -8   | 234-70555-08 | PINION STOPPER       | 1   |         | -                   |                                |               | 720  |
| -9   | 279-70550-08 | HOUSING CP           | 1   |         | -                   |                                |               | 720  |
| -10  | 209-70511-08 | BUSH                 | 1   |         | -                   |                                |               | 720  |
| -11  | 209-70505-18 | FRAME CP             | 1   |         | -                   |                                |               | 720  |
| -12  | 209-70510-08 | BUSH                 | 1   |         | -                   |                                |               | 720  |
| -14  | 209-70525-08 | LEVER                | 1   |         | -                   |                                |               | 720  |
| -15  | 279-70515-08 | MAGNET SWITCH CP     | 1   |         | -                   |                                |               | 720  |
| -16  | 209-70557-18 | SNAP RING            | 1   |         | -                   |                                |               | 720  |
| -17  | 209-70558-08 | THROUGH BOLT         | 2   |         | -                   |                                |               | 720  |
| -18  | 949-29970-02 | NUT                  | 2   |         | -                   |                                |               | 720  |
| -19  | 209-70560-08 | NUT                  | 1   |         | -                   |                                |               | 720  |
| -21  | 107-70652-08 | SPRING WASHER        | 1   |         | -                   |                                |               | 720  |
| -22  | 211-70584-08 | NUT                  | 1   |         | -                   |                                |               | 720  |
| 125  | 279-76511-11 | BRACKET (SEL) CP     | 1   |         | -                   |                                |               | 720  |
| 130  | 214-79007-01 | BOLT (STARTER)       | 2   |         | -                   |                                |               | 720  |
| 135  | 011-00600-20 | FLANGE BOLT          | 3   |         | -                   |                                |               | 720  |



7 ELECTRIC DEVICE

| REF. | PARTS NUMBER | PARTS NAME    | QTY | REMARKS | CODE NO.<br>FROM-TO | INTERCHANGEABLE<br>PART NUMBER | UNIT<br>PRICE | FIG. |
|------|--------------|---------------|-----|---------|---------------------|--------------------------------|---------------|------|
| 150  | 003-10080-00 | WASHER        | 2   |         | -                   |                                |               | 720  |
| 216  | 002-17080-00 | NUT           | 1   |         | -                   |                                |               | 720  |
| 218  | 003-20080-00 | SPRING WASHER | 1   |         | -                   |                                |               | 720  |
|      |              |               |     |         |                     |                                |               |      |
|      |              |               |     |         |                     |                                |               |      |
|      |              |               |     |         |                     |                                |               |      |
|      |              |               |     |         |                     |                                |               |      |
|      |              |               |     |         |                     |                                |               |      |
|      |              |               |     |         |                     |                                |               |      |
|      |              |               |     |         |                     |                                |               |      |
|      |              |               |     |         |                     |                                |               |      |
|      |              |               |     |         |                     |                                |               |      |
|      |              |               |     |         |                     |                                |               |      |
|      |              |               |     |         |                     |                                |               |      |
|      |              |               |     |         |                     |                                |               |      |
|      |              |               |     |         |                     |                                |               |      |
|      |              |               |     |         |                     |                                |               |      |
|      |              |               |     |         |                     |                                |               |      |
|      |              |               |     |         |                     |                                |               |      |
|      |              |               |     |         |                     |                                |               |      |
|      |              |               |     |         |                     |                                |               |      |
|      |              |               |     |         |                     |                                |               |      |
|      |              |               |     |         |                     |                                |               |      |
|      |              |               |     |         |                     |                                |               |      |
|      |              |               |     |         |                     |                                |               |      |
|      |              |               |     |         |                     |                                |               |      |
|      |              |               |     |         |                     |                                |               |      |
|      |              |               |     |         |                     |                                |               |      |
|      |              |               |     |         |                     |                                |               |      |
|      |              |               |     |         |                     |                                |               |      |
|      |              |               |     |         |                     |                                |               |      |
|      |              |               |     |         |                     |                                |               |      |
|      |              |               |     |         |                     |                                |               |      |
|      |              |               |     |         |                     |                                |               |      |
|      |              |               |     |         |                     |                                |               |      |
|      |              |               |     |         |                     |                                |               |      |
|      |              |               |     |         |                     |                                |               |      |
|      |              |               |     |         |                     |                                |               |      |
|      |              |               |     |         |                     |                                |               |      |
|      |              |               |     |         |                     |                                |               |      |
|      |              |               |     |         |                     |                                |               |      |
|      |              |               |     |         |                     |                                |               |      |
|      |              |               |     |         |                     |                                |               |      |
|      |              |               |     |         |                     |                                |               |      |
|      |              |               |     |         |                     |                                |               |      |
|      |              |               |     |         |                     |                                |               |      |
|      |              |               |     |         |                     |                                |               |      |
|      |              |               |     |         |                     |                                |               |      |

FIG. 2110

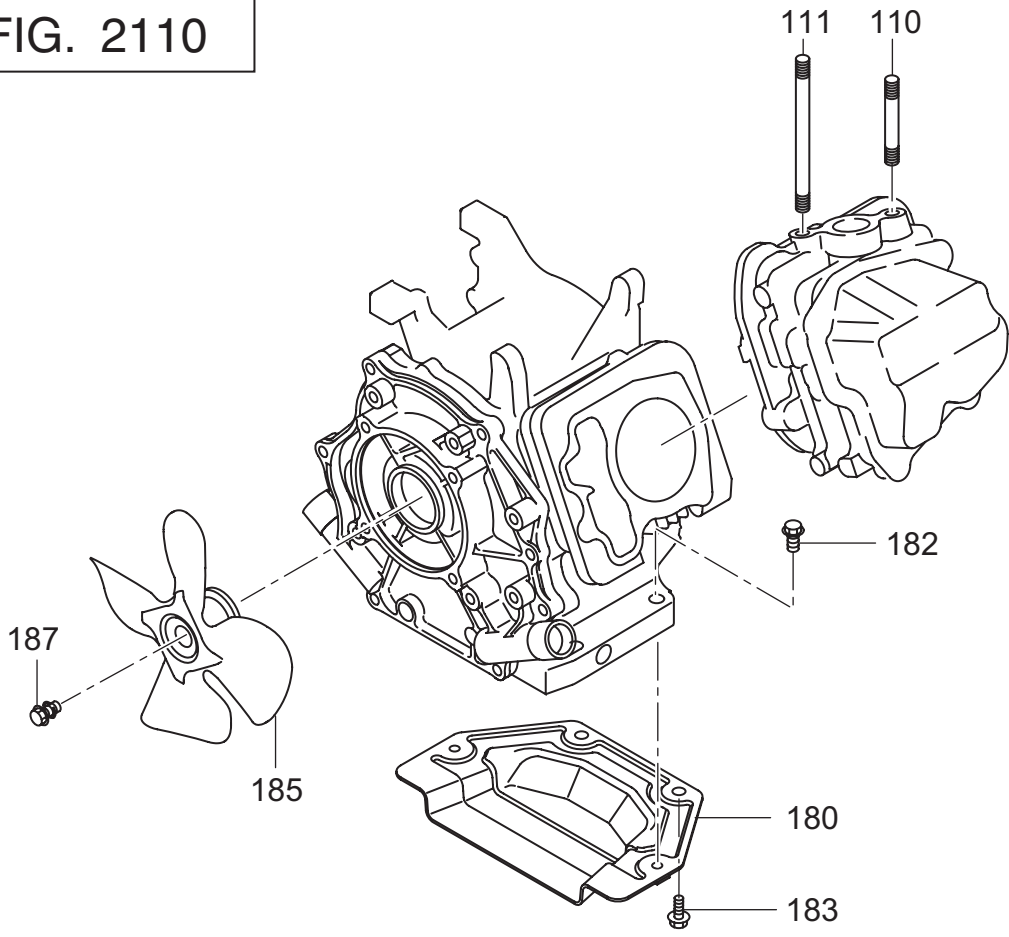


FIG. 2130

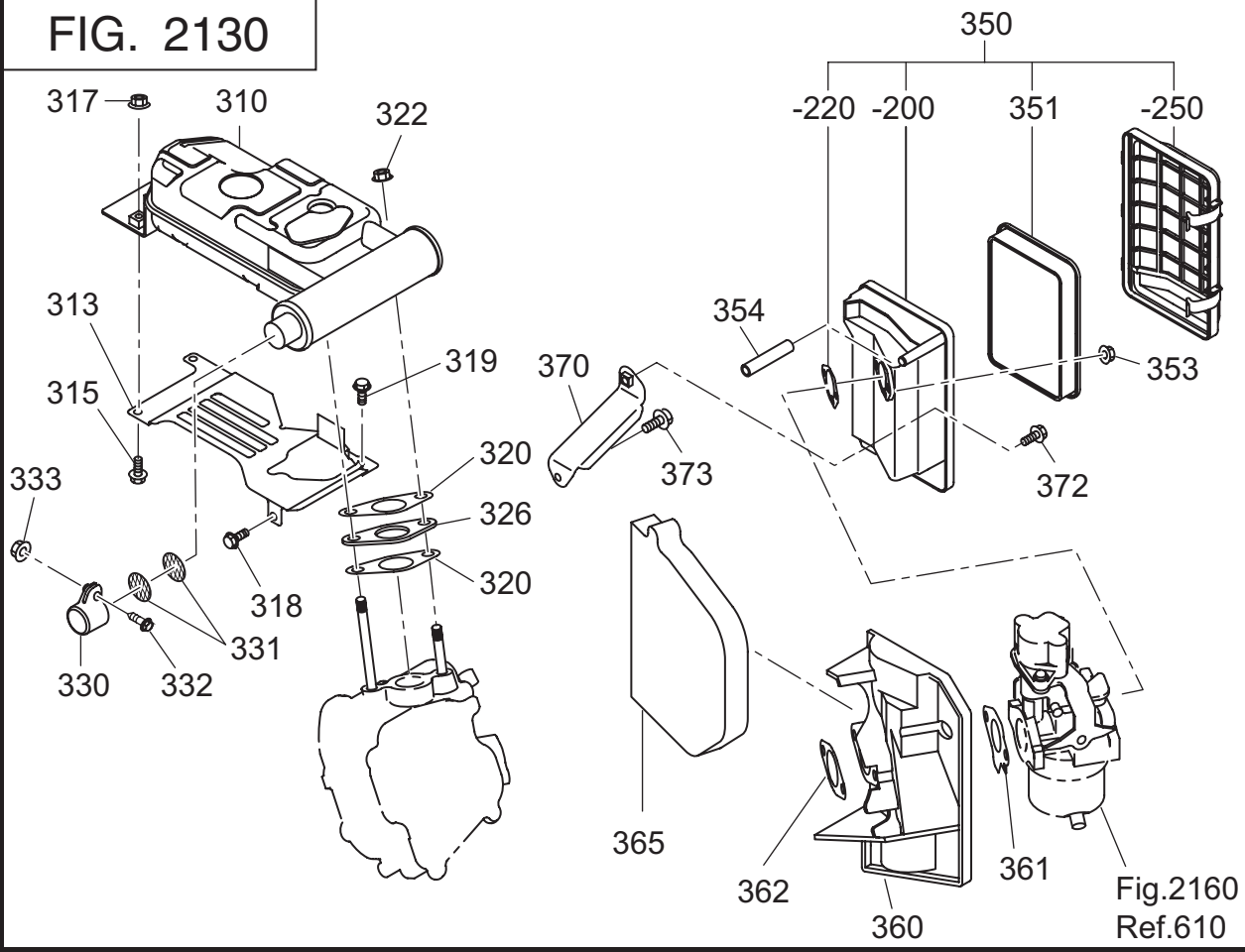


FIG. 2150

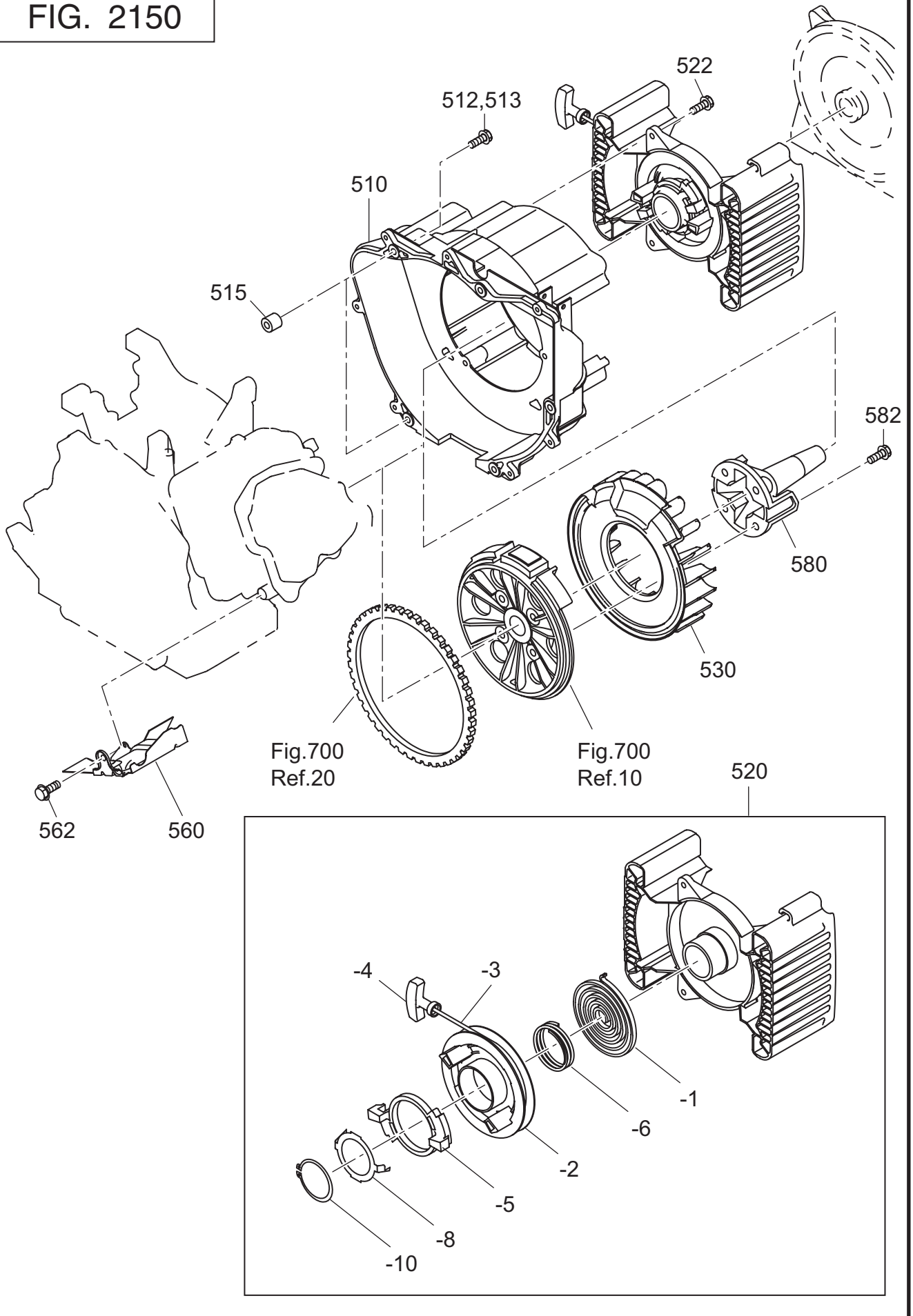


FIG. 2160

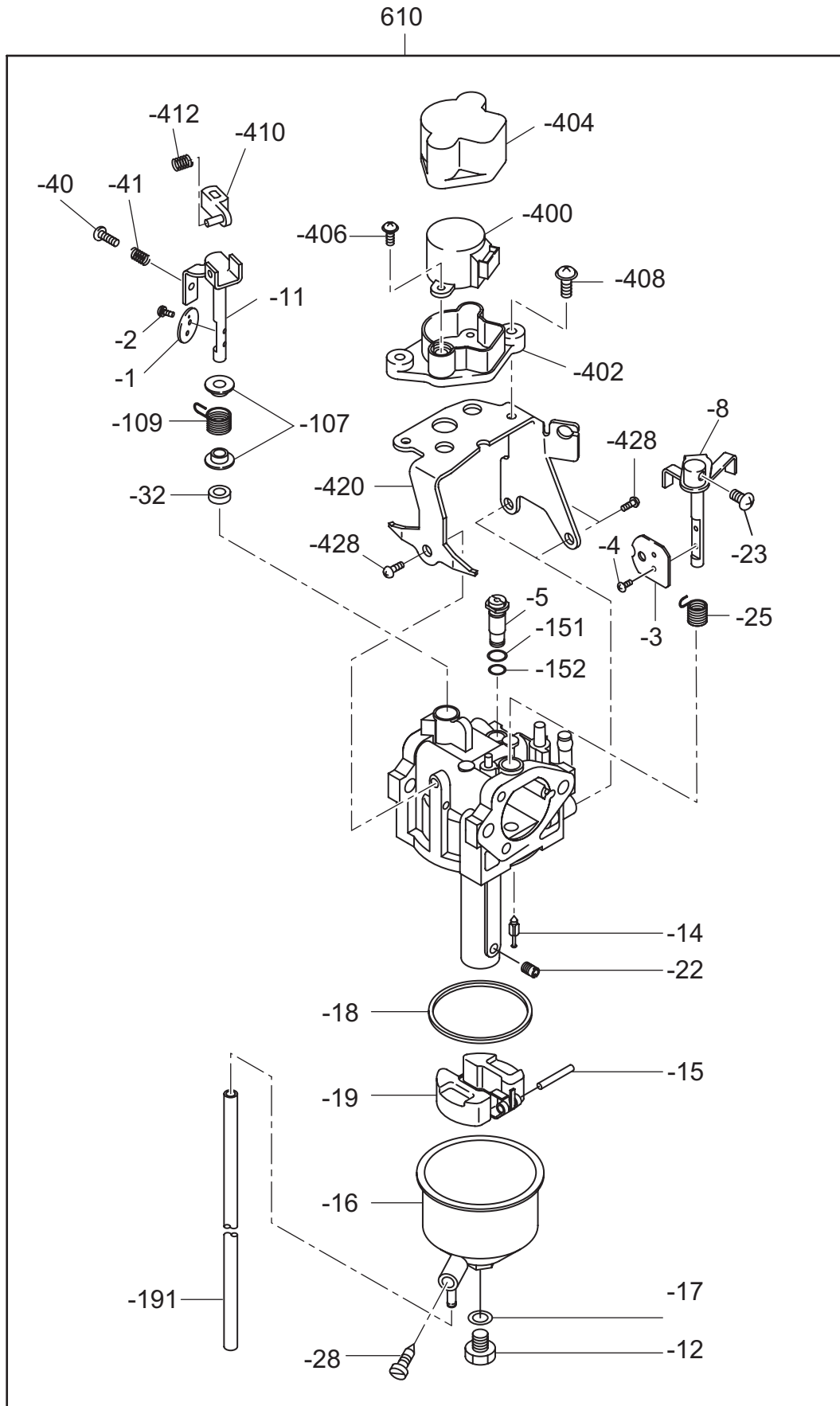
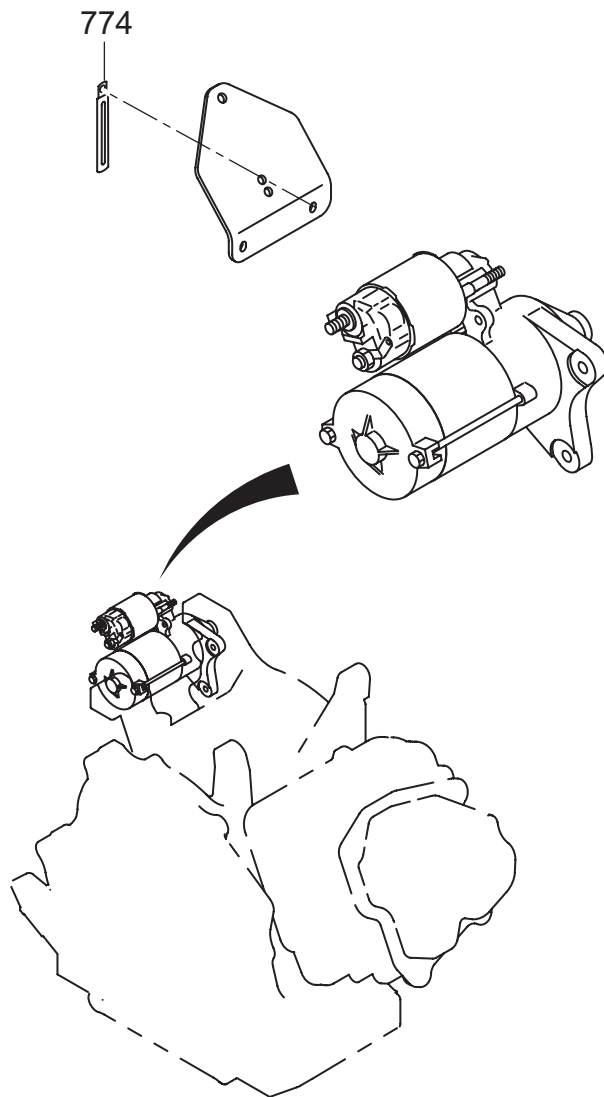


FIG. 2170



2 1 ENGINE

| REF. | PARTS NUMBER | PARTS NAME           | QTY | REMARKS | CODE NO.<br>FROM-TO | INTERCHANGEABLE<br>PART NUMBER | UNIT<br>PRICE | FIG. |
|------|--------------|----------------------|-----|---------|---------------------|--------------------------------|---------------|------|
| 110  | 010-50802-90 | STUD                 | 1   |         | -                   |                                |               | 2110 |
| 111  | 010-50804-40 | STUD                 | 1   | M8X120L | -                   |                                |               | 2110 |
| 180  | 33D-35001-01 | BOTTOM EXT. PLATE CP | 1   |         | -                   |                                |               | 2110 |
| 182  | 011-00802-70 | FLANGE BOLT          | 2   | M8X33L  | -                   |                                |               | 2110 |
| 183  | 011-00801-50 | FLANGE BOLT          | 2   | M8X12L  | -                   |                                |               | 2110 |
| 185  | 34J-54101-01 | FAN (SILENT) CP      | 1   |         | -                   |                                |               | 2110 |
| 187  | 013-01000-60 | BOLT AND WASHER AY   | 1   | M10X30L | -                   |                                |               | 2110 |
| 310  | 279-30411-41 | MUFFLER CP (SILENT)  | 1   |         | -                   |                                |               | 2130 |
| 313  | 33D-52601-03 | BAFFLE               | 1   |         | -                   |                                |               | 2130 |
| 315  | 011-00802-70 | FLANGE BOLT          | 2   | M8X33L  | -                   |                                |               | 2130 |
| 317  | 002-38080-00 | FLANGE NUT           | 2   |         | -                   |                                |               | 2130 |
| 318  | 011-00803-20 | FLANGE BOLT          | 1   | M8X12L  | -                   |                                |               | 2130 |
| 319  | 011-00600-10 | FLANGE BOLT          | 1   | M6X8L   | -                   |                                |               | 2130 |
| 320  | 277-35201-13 | GASKET (MUFFLER)     | 2   |         | -                   |                                |               | 2130 |
| 322  | 980-20082-80 | FLANGE NUT           | 2   | M8      | -                   |                                |               | 2130 |
| 326  | 279-39201-03 | FLANGE               | 1   |         | -                   |                                |               | 2130 |
| 330  | 277-37210-03 | TAIL SCREEN COVER    | 1   |         | -                   |                                |               | 2130 |
| 331  | 277-37220-03 | SCREEN               | 2   |         | -                   |                                |               | 2130 |
| 332  | 004-35051-60 | SCREW AND WASHER AY  | 1   |         | -                   |                                |               | 2130 |
| 333  | 002-18050-00 | NUT                  | 1   |         | -                   |                                |               | 2130 |
| 350  | 279-32622-00 | AIR CLEANER AY       | 1   |         | -                   |                                |               | 2130 |
| -200 | 279-32635-08 | CLEANER BODY CP      | 1   |         | -                   |                                |               | 2130 |
| -220 | 279-32650-08 | GASKET               | 1   |         | -                   |                                |               | 2130 |
| -250 | 279-32646-08 | COVER CP             | 1   |         | -                   |                                |               | 2130 |
| 351  | 279-32612-08 | ELEMENT AY           | 1   |         | -                   |                                |               | 2130 |
| 353  | 002-38060-00 | FLANGE NUT           | 2   |         | -                   |                                |               | 2130 |
| 354  | 085-10800-00 | RUBBER PIPE          | 1   | 8DX11D  | -                   |                                |               | 2130 |
| 360  | 279-32910-03 | INSULATOR            | 1   |         | -                   |                                |               | 2130 |
| 361  | 279-35902-H3 | GASKET 1 (INSULATOR) | 1   |         | -                   |                                |               | 2130 |
| 362  | 279-35903-H3 | GASKET 2 (INSULATOR) | 1   |         | -                   |                                |               | 2130 |
| 365  | 279-39701-13 | SPONGE (INSULATOR)   | 1   |         | -                   |                                |               | 2130 |
| 370  | 279-39004-01 | BRACKET (A/C) CP     | 1   |         | -                   |                                |               | 2130 |
| 372  | 011-00600-50 | FLANGE BOLT          | 1   | M6X20L  | -                   |                                |               | 2130 |
| 373  | 011-00600-20 | FLANGE BOLT          | 1   | M6X12L  | -                   |                                |               | 2130 |
| 510  | 279-52001-13 | BLOWER HOUSING       | 1   |         | -                   |                                |               | 2150 |
| 512  | 001-14063-00 | BOLT AND WASHER AY   | 1   |         | -                   |                                |               | 2150 |

2 1 ENGINE

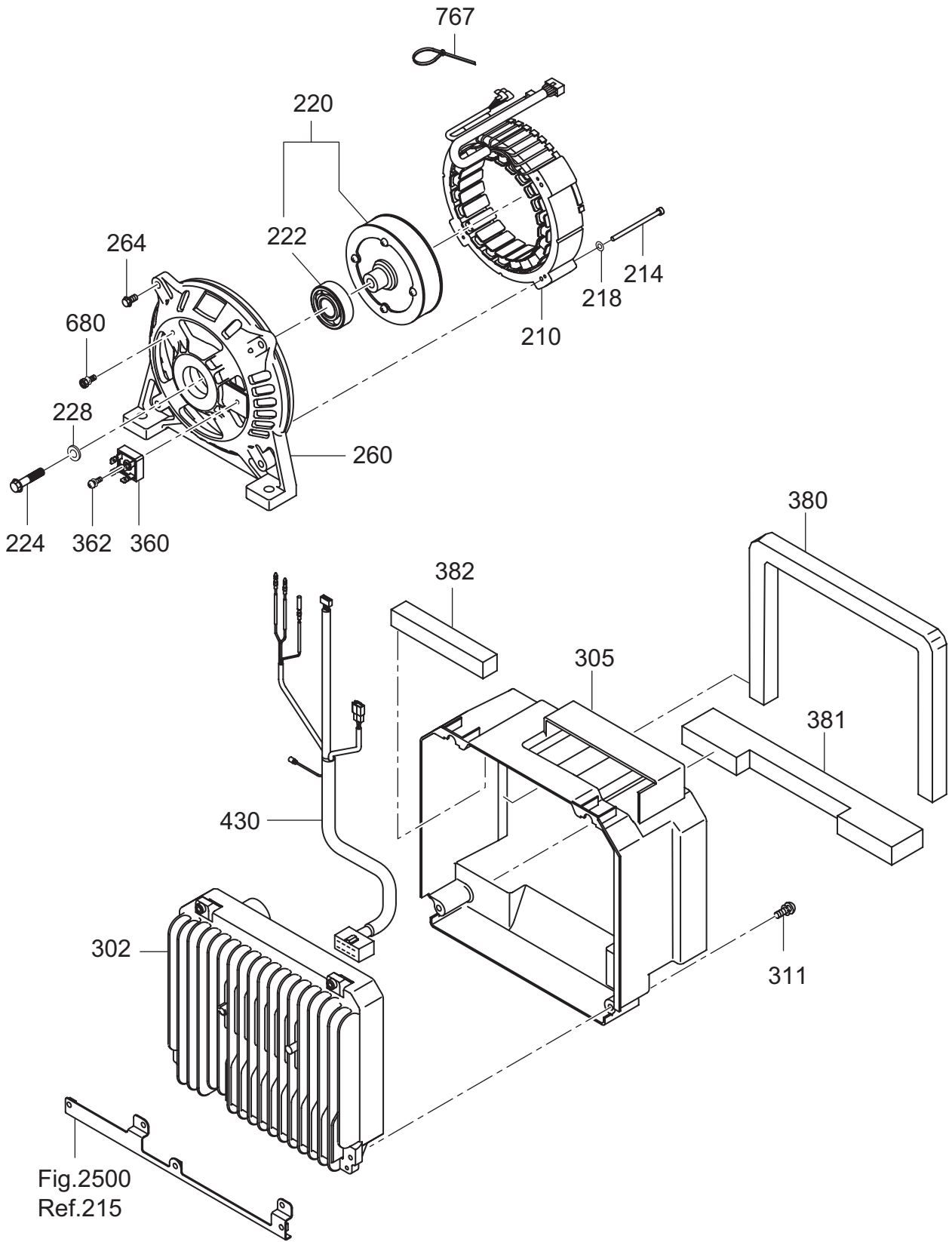
| REF. | PARTS NUMBER | PARTS NAME         | QTY | REMARKS | CODE NO.<br>FROM-TO | INTERCHANGEABLE<br>PART NUMBER | UNIT<br>PRICE | FIG. |
|------|--------------|--------------------|-----|---------|---------------------|--------------------------------|---------------|------|
| 513  | 001-14066-00 | BOLT AND WASHER AY | 4   |         | -                   |                                |               | 2150 |
| 515  | 980-40081-10 | STR PIN -8X10      | 2   | M6      | -                   |                                |               | 2150 |
| 520  | 277-50401-00 | RECOIL STARTER AY  | 1   |         | -                   |                                |               | 2150 |
| -1   | 277-50402-08 | SPIRAL SPRING      | 1   |         | -                   |                                |               | 2150 |
| -2   | 277-50403-08 | REEL               | 1   |         | -                   |                                |               | 2150 |
| -3   | 277-50408-08 | STARTER PORE       | 1   |         | -                   |                                |               | 2150 |
| -4   | 277-50409-08 | STARTER KNOB       | 1   |         | -                   |                                |               | 2150 |
| -5   | 277-50404-08 | RACHET             | 1   |         | -                   |                                |               | 2150 |
| -6   | 277-50405-08 | FRICITION SPRING   | 1   |         | -                   |                                |               | 2150 |
| -8   | 277-50407-08 | FRICITION PLATE    | 1   |         | -                   |                                |               | 2150 |
| -10  | 277-50406-08 | RETAINING RING     | 1   |         | -                   |                                |               | 2150 |
| 522  | 011-00601-40 | FLANGE BOLT        | 3   | M6X18L  | -                   |                                |               | 2150 |
| 530  | 279-54110-03 | COOLING BLOWER     | 1   |         | -                   |                                |               | 2150 |
| 560  | 279-52702-13 | BAFFLE 2 (HEAD)    | 1   |         | -                   |                                |               | 2150 |
| 562  | 011-00600-20 | FLANGE BOLT        | 1   | M6X12L  | -                   |                                |               | 2150 |
| 580  | 277-24401-03 | DRIVING SHAFT      | 1   |         | -                   |                                |               | 2150 |
| 582  | 011-01001-10 | FLANGE BOLT        | 4   | M8X27L  | -                   |                                |               | 2150 |
| 610  | 279-62330-00 | CARBURETOR AY      | 1   |         | -                   |                                |               | 2160 |
| -1   | 279-62535-08 | THROTTLE VALVE     | 1   |         | -                   |                                |               | 2160 |
| -2   | 251-62450-08 | SCREW              | 2   |         | -                   |                                |               | 2160 |
| -3   | 279-62526-08 | CHOKE VALVE        | 1   |         | -                   |                                |               | 2160 |
| -4   | 251-62450-08 | SCREW              | 2   |         | -                   |                                |               | 2160 |
| -5   | 279-62420-08 | SLOW JET           | 1   |         | -                   |                                |               | 2160 |
| -8   | 279-62521-08 | CHOKE LEVER        | 1   |         | -                   |                                |               | 2160 |
| -11  | 279-62531-08 | THROTTLE SHAFT     | 1   |         | -                   |                                |               | 2160 |
| -12  | 251-62453-08 | BOLT               | 1   |         | -                   |                                |               | 2160 |
| -14  | 279-62500-08 | NEEDLE             | 1   |         | -                   |                                |               | 2160 |
| -15  | 279-62515-08 | PIN                | 1   |         | -                   |                                |               | 2160 |
| -16  | 279-62553-08 | FLOAT BODY         | 1   |         | -                   |                                |               | 2160 |
| -17  | 251-62350-08 | GASKET             | 1   |         | -                   |                                |               | 2160 |
| -18  | 279-62540-08 | GASKET CHAMBER     | 1   |         | -                   |                                |               | 2160 |
| -19  | 279-62505-08 | FLOAT SUB AY       | 1   |         | -                   |                                |               | 2160 |
| -22  | 279-62400-08 | JET MAIN           | 1   |         | -                   |                                |               | 2160 |
| -23  | 284-62456-08 | SCREW              | 1   |         | -                   |                                |               | 2160 |
| -25  | 279-62447-08 | SPRING (CHOKE)     | 1   |         | -                   |                                |               | 2160 |
| -28  | 279-62581-08 | SCREW              | 1   |         | -                   |                                |               | 2160 |

2 1 ENGINE

| REF. | PARTS NUMBER | PARTS NAME        | QTY | REMARKS | CODE NO.<br>FROM-TO | INTERCHANGEABLE<br>PART NUMBER | UNIT<br>PRICE | FIG. |
|------|--------------|-------------------|-----|---------|---------------------|--------------------------------|---------------|------|
| -32  | 279-62561-08 | BUSH              | 1   |         | -                   |                                |               | 2160 |
| -40  | 279-62353-18 | ADJUST SCREW      | 1   |         | -                   |                                |               | 2160 |
| -41  | 279-62445-08 | SPRING            | 1   |         | -                   |                                |               | 2160 |
| -107 | 279-62565-08 | COLLAR            | 2   |         | -                   |                                |               | 2160 |
| -109 | 284-62315-08 | SPRING (THROTTLE) | 1   |         | -                   |                                |               | 2160 |
| -151 | 279-62452-08 | O RING            | 1   |         | -                   |                                |               | 2160 |
| -152 | 279-62451-08 | O RING            | 1   |         | -                   |                                |               | 2160 |
| -191 | 279-62590-08 | VINYL PIPE        | 1   |         | -                   |                                |               | 2160 |
| -400 | 284-62580-08 | MOTOR             | 1   |         | -                   |                                |               | 2160 |
| -402 | 284-62576-08 | BRACKET (MOTOR)   | 1   |         | -                   |                                |               | 2160 |
| -404 | 277-62595-08 | COVER (MOTOR)     | 1   |         | -                   |                                |               | 2160 |
| -406 | 284-62458-08 | SCREW             | 2   |         | -                   |                                |               | 2160 |
| -408 | 284-62457-08 | SCREW             | 2   |         | -                   |                                |               | 2160 |
| -410 | 279-62600-08 | JOINT LEVER       | 1   |         | -                   |                                |               | 2160 |
| -412 | 284-62446-08 | SPRING            | 1   |         | -                   |                                |               | 2160 |
| -420 | 279-62575-08 | BRACKET           | 1   |         | -                   |                                |               | 2160 |
| -428 | 279-62580-08 | SCREW             | 3   |         | -                   |                                |               | 2160 |
| 774  | 056-60002-50 | CLAMP             | 1   |         | -                   |                                |               | 2170 |
|      |              |                   |     |         |                     |                                |               |      |
|      |              |                   |     |         |                     |                                |               |      |
|      |              |                   |     |         |                     |                                |               |      |
|      |              |                   |     |         |                     |                                |               |      |
|      |              |                   |     |         |                     |                                |               |      |
|      |              |                   |     |         |                     |                                |               |      |
|      |              |                   |     |         |                     |                                |               |      |
|      |              |                   |     |         |                     |                                |               |      |
|      |              |                   |     |         |                     |                                |               |      |
|      |              |                   |     |         |                     |                                |               |      |
|      |              |                   |     |         |                     |                                |               |      |
|      |              |                   |     |         |                     |                                |               |      |
|      |              |                   |     |         |                     |                                |               |      |
|      |              |                   |     |         |                     |                                |               |      |
|      |              |                   |     |         |                     |                                |               |      |
|      |              |                   |     |         |                     |                                |               |      |
|      |              |                   |     |         |                     |                                |               |      |
|      |              |                   |     |         |                     |                                |               |      |
|      |              |                   |     |         |                     |                                |               |      |
|      |              |                   |     |         |                     |                                |               |      |
|      |              |                   |     |         |                     |                                |               |      |
|      |              |                   |     |         |                     |                                |               |      |



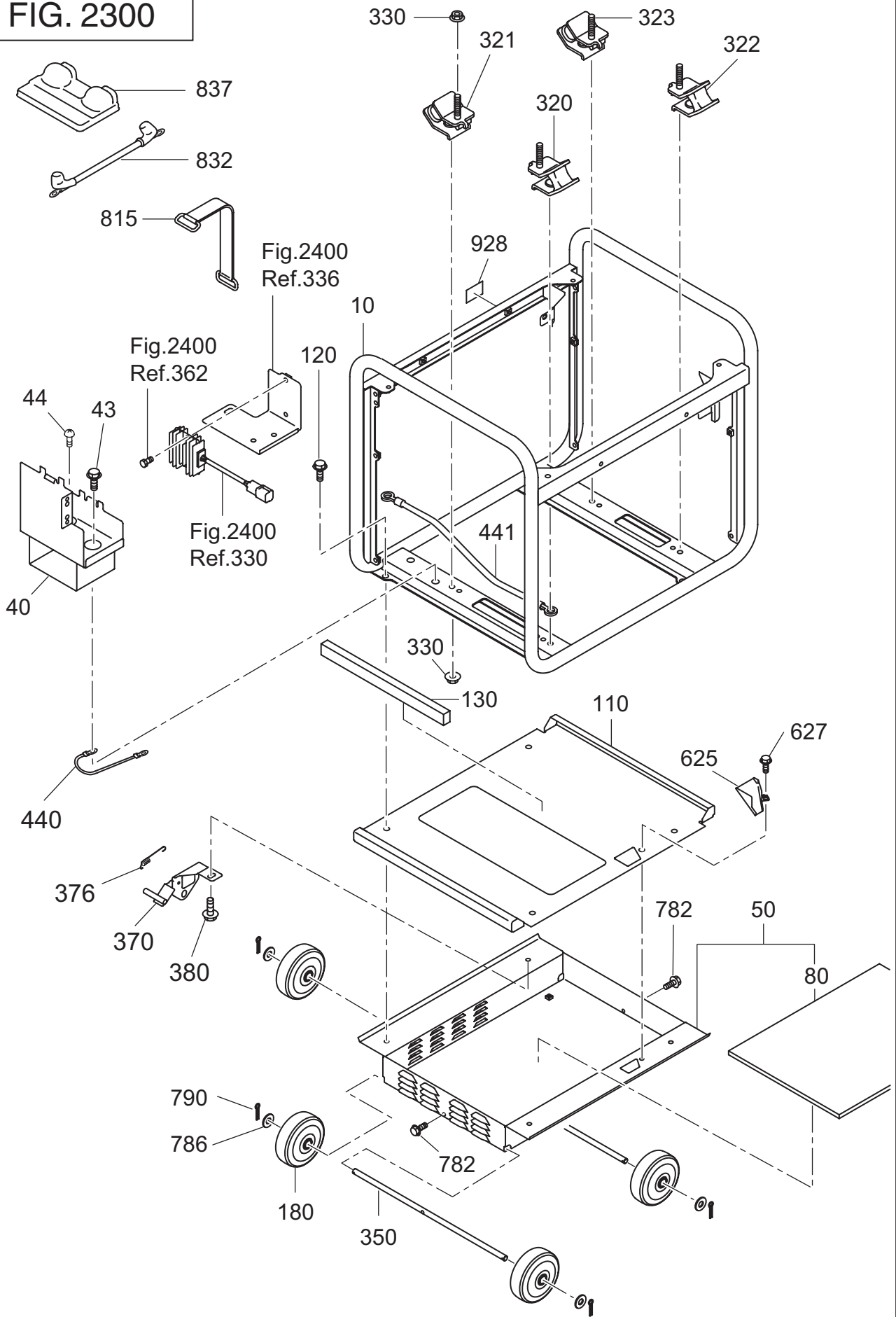
FIG. 2200



2 2 G E N E R A T O R

| REF. | PARTS NUMBER | PARTS NAME             | QTY | REMARKS | CODE NO.<br>FROM-TO | INTERCHANGEABLE<br>PART NUMBER | UNIT<br>PRICE | FIG. |
|------|--------------|------------------------|-----|---------|---------------------|--------------------------------|---------------|------|
| 210  | 34D-21051-01 | STATOR CP              | 1   |         | -                   |                                |               | 2200 |
| 214  | 34D-21051-08 | BOLT                   | 4   | M5X50L  | -                   |                                |               | 2200 |
| 218  | 003-20050-00 | SPRING WASHER          | 4   | M5      | -                   |                                |               | 2200 |
| 220  | 34D-20061-01 | ROTOR CP               | 1   |         | -                   |                                |               | 2200 |
| 222  | 34B-21001-08 | BEARING                | 1   |         | -                   |                                |               | 2200 |
| 224  | 010-01002-00 | BOLT                   | 1   |         | -                   |                                |               | 2200 |
| 228  | 020-01001-60 | WASHER                 | 1   |         | -                   |                                |               | 2200 |
| 260  | 34B-23071-01 | REAR COVER             | 1   |         | -                   |                                |               | 2200 |
| 264  | 001-14062-50 | BOLT AND WASHER AY     | 4   |         | -                   |                                |               | 2200 |
| 302  | KU3-10730-21 | INV & E/G C/U CP (F14) | 1   |         | -                   |                                |               | 2200 |
| 305  | 34B-55001-03 | COVER (INVERTOR)       | 1   |         | -                   |                                |               | 2200 |
| 311  | 004-36051-60 | SCREW AND WASHER AY    | 2   |         | -                   |                                |               | 2200 |
| 360  | 34K-20903-08 | RECTIFIER              | 1   |         | -                   |                                |               | 2200 |
| 362  | 34K-20904-08 | SCREW                  | 1   | M4X20L  | -                   |                                |               | 2200 |
| 380  | 34J-57301-03 | SEAL SPONGE IV1        | 1   |         | -                   |                                |               | 2200 |
| 381  | 34B-57302-03 | SEAL SPONGE IV2        | 1   |         | -                   |                                |               | 2200 |
| 382  | 34B-57303-03 | SEAL SPONGE IV3        | 1   |         | -                   |                                |               | 2200 |
| 430  | 34B-48101-01 | WIRE HARNESS (E/G) CP  | 1   |         | -                   |                                |               | 2200 |
| 680  | 34K-20905-08 | SCREW                  | 1   | M5X10L  | -                   |                                |               | 2200 |
| 767  | 34K-20907-08 | BAND                   | 2   |         | -                   |                                |               | 2200 |
|      |              |                        |     |         |                     |                                |               |      |
|      |              |                        |     |         |                     |                                |               |      |
|      |              |                        |     |         |                     |                                |               |      |
|      |              |                        |     |         |                     |                                |               |      |
|      |              |                        |     |         |                     |                                |               |      |
|      |              |                        |     |         |                     |                                |               |      |
|      |              |                        |     |         |                     |                                |               |      |
|      |              |                        |     |         |                     |                                |               |      |
|      |              |                        |     |         |                     |                                |               |      |
|      |              |                        |     |         |                     |                                |               |      |
|      |              |                        |     |         |                     |                                |               |      |
|      |              |                        |     |         |                     |                                |               |      |
|      |              |                        |     |         |                     |                                |               |      |
|      |              |                        |     |         |                     |                                |               |      |
|      |              |                        |     |         |                     |                                |               |      |
|      |              |                        |     |         |                     |                                |               |      |
|      |              |                        |     |         |                     |                                |               |      |
|      |              |                        |     |         |                     |                                |               |      |
|      |              |                        |     |         |                     |                                |               |      |

FIG. 2300

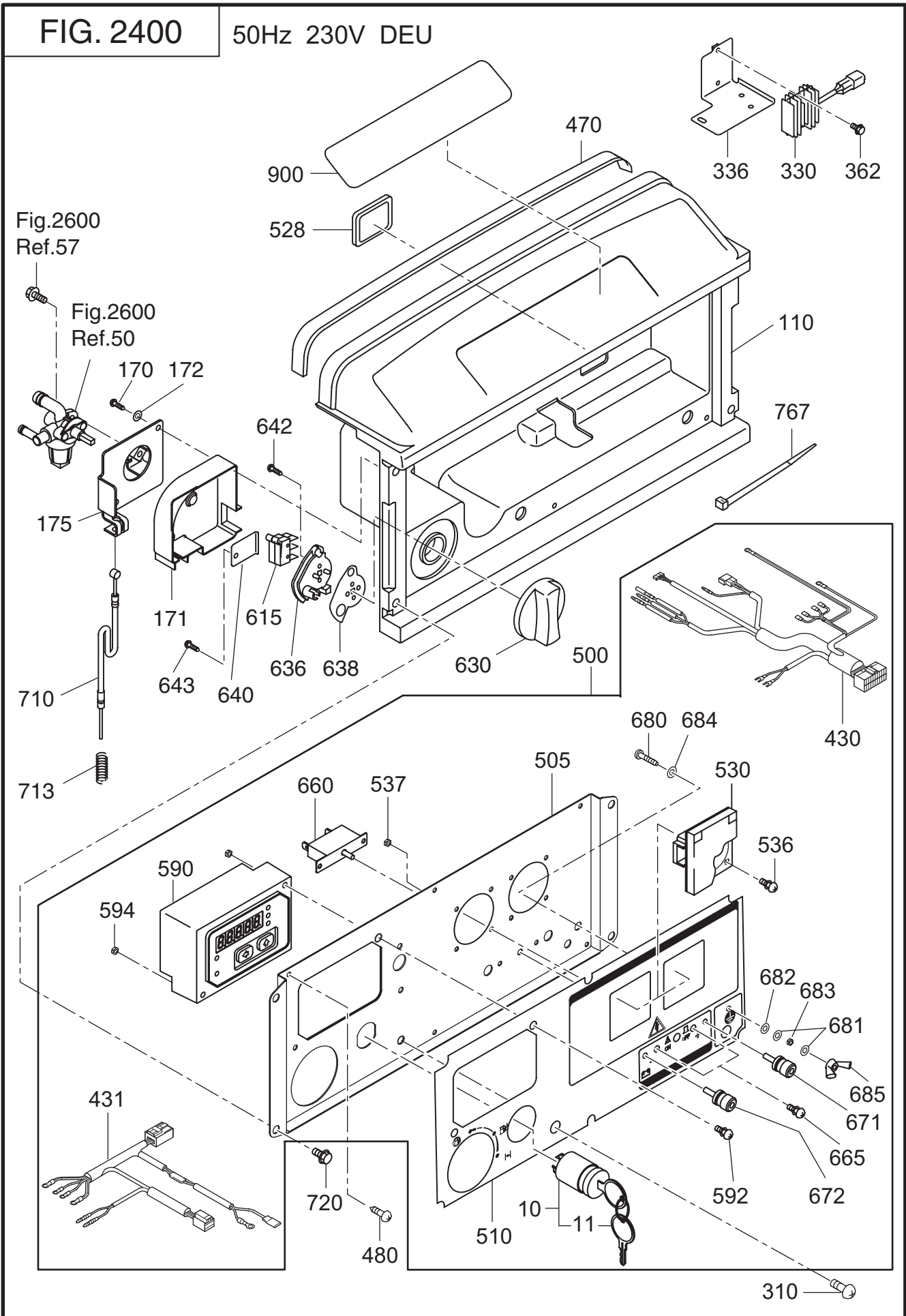


2 3 B A S E, F R A M E

| REF. | PARTS NUMBER | PARTS NAME            | QTY | REMARKS | CODE NO.<br>FROM-TO | INTERCHANGEABLE<br>PART NUMBER | UNIT<br>PRICE | FIG. |
|------|--------------|-----------------------|-----|---------|---------------------|--------------------------------|---------------|------|
| 10   | 34J-30001-01 | FRAME CP              | 1   |         | -                   |                                |               | 2300 |
| 40   | 33B-35602-01 | BATTERY BASE          | 1   |         | -                   |                                |               | 2300 |
| 43   | 011-00600-80 | FLANGE BOLT           | 2   | M6X12L  | -                   |                                |               | 2300 |
| 44   | 014-00601-21 | SCREW                 | 1   |         | -                   |                                |               | 2300 |
| 50   | 34J-53101-01 | BASE PLATE (LOWER) CP | 1   |         | -                   |                                |               | 2300 |
| 80   | 34G-59005-03 | SPONGE (BASE)         | 1   |         | -                   |                                |               | 2300 |
| 110  | 34J-53002-01 | BASE PLATE (UPPER) CP | 1   |         | -                   |                                |               | 2300 |
| 120  | 001-14081-60 | BOLT AND WASHER AY    | 4   |         | -                   |                                |               | 2300 |
| 130  | 34G-59006-03 | SPONGE (BASE)         | 1   |         | -                   |                                |               | 2300 |
| 180  | 393-30603-01 | WHEEL CP              | 4   |         | -                   |                                |               | 2300 |
| 320  | 32B-30214-01 | MOUNT CP (L)          | 1   |         | -                   |                                |               | 2300 |
| 321  | 32B-30213-01 | MOUNT CP (R)          | 1   |         | -                   |                                |               | 2300 |
| 322  | 32B-30203-01 | MOUNT CP (R)          | 1   |         | -                   |                                |               | 2300 |
| 323  | 32B-30204-01 | MOUNT CP (L)          | 1   |         | -                   |                                |               | 2300 |
| 330  | 002-38080-00 | FLANGE NUT            | 8   |         | -                   |                                |               | 2300 |
| 350  | 34G-55201-01 | SHAFT (WHEEL) CP      | 2   |         | -                   |                                |               | 2300 |
| 370  | 34G-56002-10 | BRAKE -2 AY           | 1   |         | -                   |                                |               | 2300 |
| 376  | 34G-56102-13 | SPRING (BRAKE)        | 1   |         | -                   |                                |               | 2300 |
| 380  | 001-14081-60 | BOLT AND WASHER AY    | 1   |         | -                   |                                |               | 2300 |
| 440  | 33B-48091-01 | EARTH WIRE CP         | 1   |         | -                   |                                |               | 2300 |
| 441  | 34B-48091-01 | EARTH WIRE CP         | 1   |         | -                   |                                |               | 2300 |
| 625  | 34G-55211-21 | DRAIN GUIDE CP        | 1   |         | -                   |                                |               | 2300 |
| 627  | 011-00600-20 | FLANGE BOLT           | 1   | M6X12L  | -                   |                                |               | 2300 |
| 782  | 011-00600-20 | FLANGE BOLT           | 2   | M6X12L  | -                   |                                |               | 2300 |
| 786  | 003-11120-00 | WASHER                | 3   |         | -                   |                                |               | 2300 |
| 790  | 005-10302-50 | COTTER PIN            | 4   |         | -                   |                                |               | 2300 |
| 815  | 33B-58001-01 | BATTERY BAND          | 1   |         | -                   |                                |               | 2300 |
| 832  | 33B-48072-11 | BATTERY WIRE CP       | 1   |         | -                   |                                |               | 2300 |
| 837  | 33D-35701-03 | BATTERY COVER         | 1   |         | -                   |                                |               | 2300 |
| 928  | 073-20026-51 | LABEL (EARTH)         | 1   |         | -                   |                                |               | 2300 |
|      |              |                       |     |         |                     |                                |               |      |
|      |              |                       |     |         |                     |                                |               |      |
|      |              |                       |     |         |                     |                                |               |      |
|      |              |                       |     |         |                     |                                |               |      |
|      |              |                       |     |         |                     |                                |               |      |
|      |              |                       |     |         |                     |                                |               |      |

FIG. 2400

50Hz 230V DEU



2 4 CONTROL

| REF. | PARTS NUMBER | PARTS NAME             | QTY | REMARKS  | CODE NO.<br>FROM-TO | INTERCHANGEABLE<br>PART NUMBER | UNIT<br>PRICE | FIG. |
|------|--------------|------------------------|-----|----------|---------------------|--------------------------------|---------------|------|
| 10   | 066-00003-30 | KEY SWITCH             | 1   |          | -                   |                                |               | 2400 |
| 11   | 066-00099-80 | KEY                    | 2   |          | -                   |                                |               | 2400 |
| 110  | 33B-50001-01 | FRONT COVER (UPPER) CP | 1   |          | -                   |                                |               | 2400 |
| 170  | 015-00400-70 | TAPPING SCREW          | 2   |          | -                   |                                |               | 2400 |
| 171  | 33B-46001-03 | COVER (COCK)           | 1   |          | -                   |                                |               | 2400 |
| 172  | 003-10040-00 | WASHER                 | 2   |          | -                   |                                |               | 2400 |
| 175  | 33B-46012-01 | BRACKET (COCK)         | 1   |          | -                   |                                |               | 2400 |
| 310  | 004-36061-60 | SCREW AND WASHER AY    | 2   |          | -                   |                                |               | 2400 |
| 330  | 33B-47202-01 | REGULATOR CP           | 1   |          | -                   |                                |               | 2400 |
| 336  | 33B-35801-02 | BRACKET (REG) UN       | 1   |          | -                   |                                |               | 2400 |
| 362  | 011-00600-50 | FLANGE BOLT            | 2   | M6X20L   | -                   |                                |               | 2400 |
| 430  | 34B-48002-01 | WIRE HARNESS CP        | 1   |          | -                   |                                |               | 2400 |
| 431  | 33B-48052-01 | WIRE HARNESS CP        | 1   |          | -                   |                                |               | 2400 |
| 470  | 34B-57311-03 | SEAL SPONGE FC2        | 1   |          | -                   |                                |               | 2400 |
| 480  | 353-49904-08 | TAPPING SCREW          | 6   | M4X10L   | -                   |                                |               | 2400 |
| 500  | 34D-45718-10 | CONTROL PANEL AY       | 1   |          | -                   |                                |               | 2400 |
| 505  | 33B-45009-01 | PANEL PLATE CP         | 1   |          | -                   |                                |               | 2400 |
| 510  | 34B-49122-03 | SHEET (PANEL VS) 22    | 1   |          | -                   |                                |               | 2400 |
| 528  | 227-75001-03 | GROMMET                | 1   |          | -                   |                                |               | 2400 |
| 530  | 358-40621-08 | AC CONCENT (FINLAND)   | 2   | 250V-15A | -                   |                                |               | 2400 |
| 536  | 004-36031-20 | SCREW AND WASHER AY    | 8   |          | -                   |                                |               | 2400 |
| 537  | 002-17030-00 | NUT                    | 8   |          | -                   |                                |               | 2400 |
| 590  | KU3-11770-11 | MONITOR C/U CP (INV2)  | 1   |          | -                   |                                |               | 2400 |
| 592  | 013-10400-80 | SCREW AND WASHER AY    | 2   | M4X40L   | -                   |                                |               | 2400 |
| 594  | 002-17040-00 | NUT                    | 2   |          | -                   |                                |               | 2400 |
| 615  | 33K-41811-03 | MICRO SWITCH           | 2   |          | -                   |                                |               | 2400 |
| 630  | 33K-42010-03 | CONTROL DIAL           | 1   |          | -                   |                                |               | 2400 |
| 636  | 33K-42020-03 | CHOKE REEL             | 1   |          | -                   |                                |               | 2400 |
| 638  | 33K-42030-13 | PLATE                  | 1   |          | -                   |                                |               | 2400 |
| 640  | 33B-46015-01 | BRACKET (MICRO)        | 1   |          | -                   |                                |               | 2400 |
| 642  | 33K-41814-08 | TAPPING SCREW          | 2   | M3X16L   | -                   |                                |               | 2400 |
| 643  | 015-00400-70 | TAPPING SCREW          | 1   |          | -                   |                                |               | 2400 |
| 660  | 352-45620-08 | CIRCUIT BREAKER        | 1   | 201-10A  | -                   |                                |               | 2400 |
| 665  | 31B-79011-03 | SCREW                  | 2   |          | -                   |                                |               | 2400 |
| 671  | 363-45701-08 | TERMINAL BOLT          | 1   | RED      | -                   |                                |               | 2400 |
| 672  | 363-45700-08 | TERMINAL BOLT          | 1   | BLACK    | -                   |                                |               | 2400 |



FIG. 2500

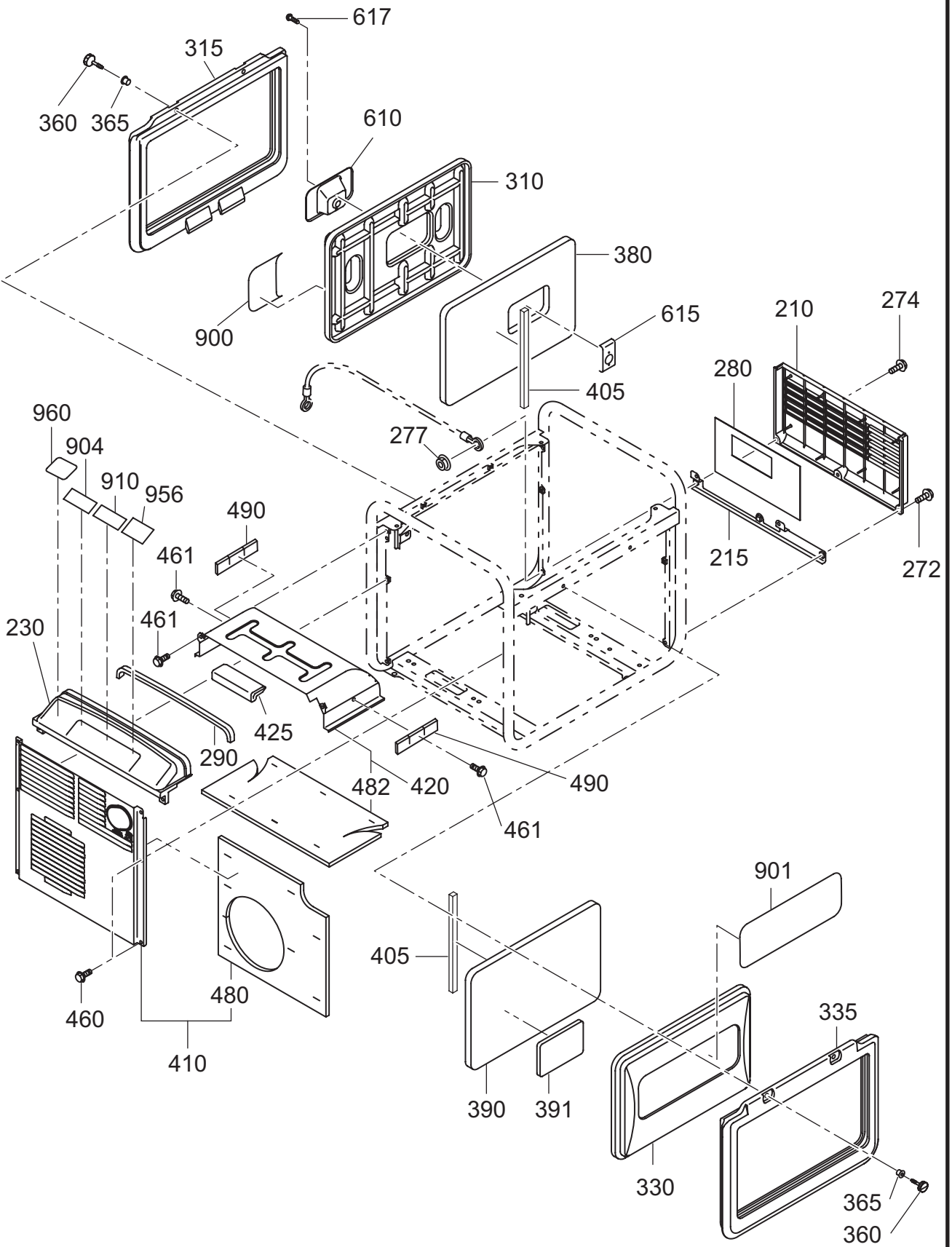
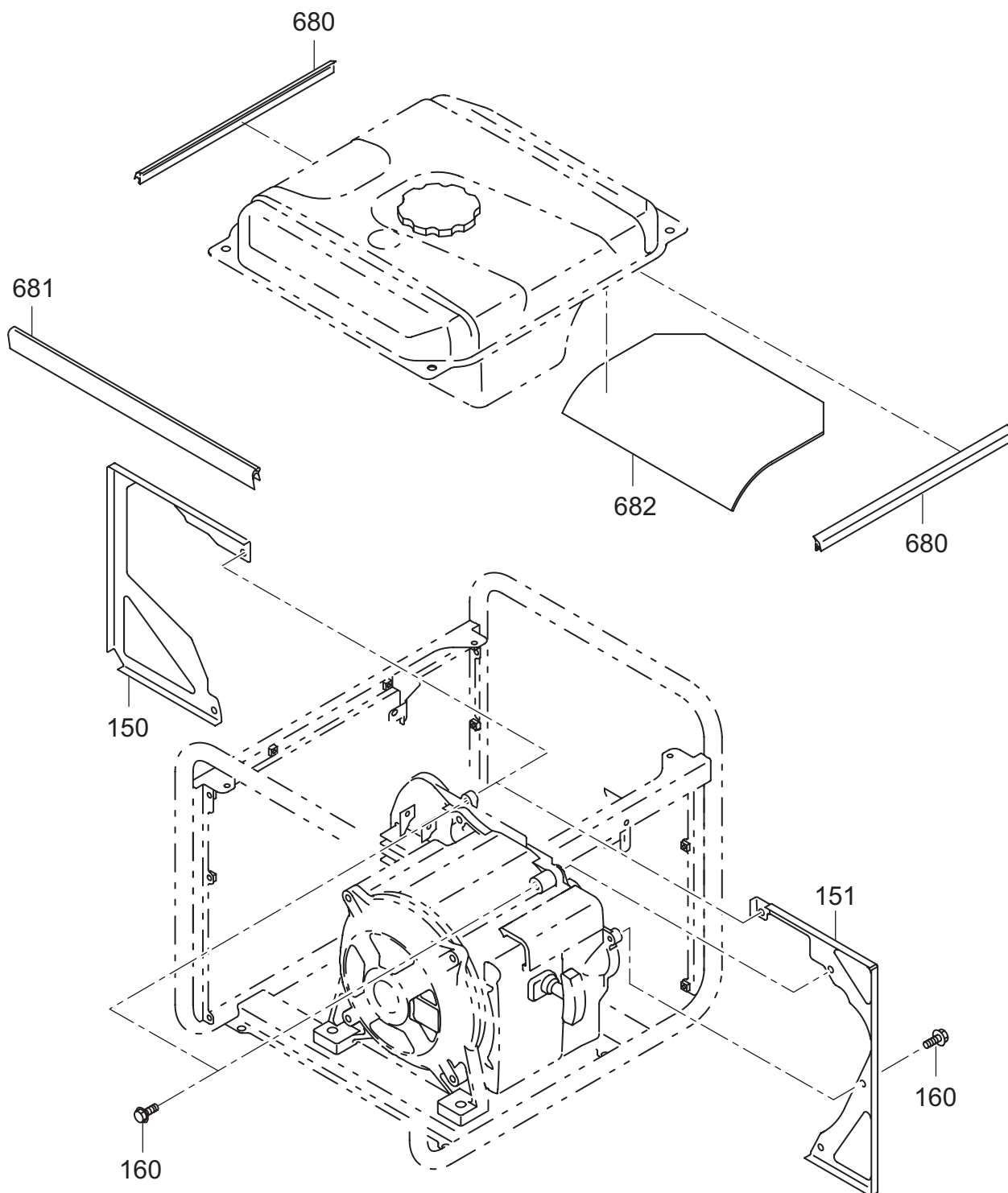




FIG. 2510



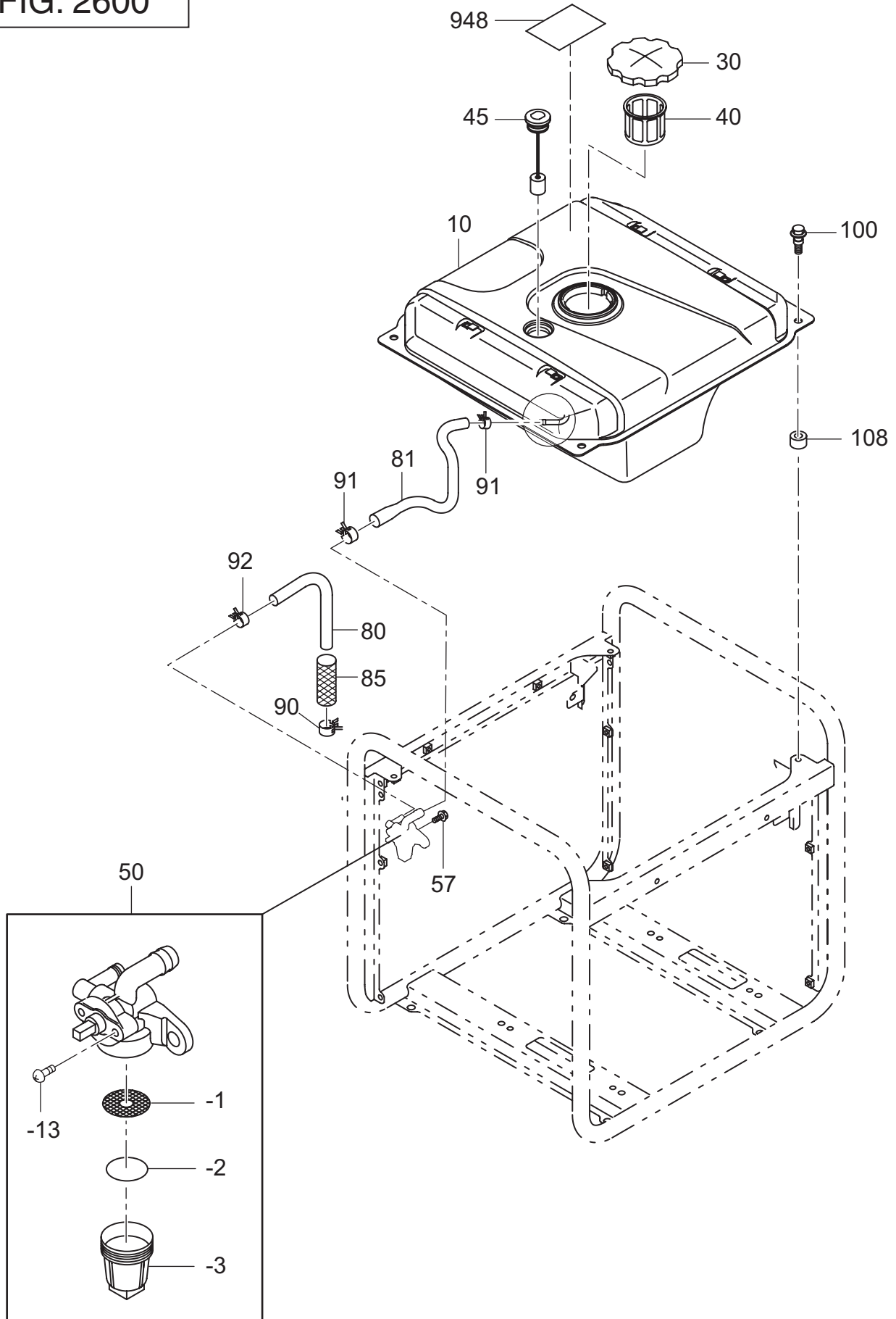
2 5 COVER

| REF. | PARTS NUMBER | PARTS NAME             | QTY | REMARKS | CODE NO.<br>FROM-TO | INTERCHANGEABLE<br>PART NUMBER | UNIT<br>PRICE | FIG. |
|------|--------------|------------------------|-----|---------|---------------------|--------------------------------|---------------|------|
| 210  | 33B-50101-01 | FRONT COVER (LOWER) CP | 1   |         | -                   |                                |               | 2500 |
| 215  | 33B-35501-01 | BRACKET (COVER) CP     | 1   |         | -                   |                                |               | 2500 |
| 230  | 33B-50501-01 | REAR COVER (UPPER) CP  | 1   |         | -                   |                                |               | 2500 |
| 272  | 011-00601-80 | FLANGE BOLT            | 2   | M6X18L  | -                   |                                |               | 2500 |
| 274  | 001-11062-50 | BOLT AND WASHER AY     | 1   |         | -                   |                                |               | 2500 |
| 277  | 002-38060-00 | FLANGE NUT             | 1   |         | -                   |                                |               | 2500 |
| 280  | 34B-57310-03 | SEAL SPONGE FC1        | 1   |         | -                   |                                |               | 2500 |
| 290  | 34B-57311-03 | SEAL SPONGE FC2        | 1   |         | -                   |                                |               | 2500 |
| 310  | 34J-51001-01 | SIDE COVER (R) CP      | 1   |         | -                   |                                |               | 2500 |
| 315  | 34J-55101-03 | SIDE RUBBER SEAL       | 1   |         | -                   |                                |               | 2500 |
| 330  | 34J-51101-01 | SIDE COVER (L) CP      | 1   |         | -                   |                                |               | 2500 |
| 335  | 34J-55101-03 | SIDE RUBBER SEAL       | 1   |         | -                   |                                |               | 2500 |
| 360  | 34G-55301-01 | COVER BOLT CP          | 4   |         | -                   |                                |               | 2500 |
| 365  | 34G-55302-01 | SPACER CP              | 4   |         | -                   |                                |               | 2500 |
| 380  | 34J-59001-13 | SPONGE (S COVER-R)     | 1   |         | -                   |                                |               | 2500 |
| 390  | 34J-59002-13 | SPONGE (S COVER-L)     | 1   |         | -                   |                                |               | 2500 |
| 391  | 34G-59008-03 | SPONGE (S COVER-L)     | 1   |         | -                   |                                |               | 2500 |
| 405  | 34G-57321-03 | SEAL SPONGE (SIDE)     | 2   |         | -                   |                                |               | 2500 |
| 410  | 33B-56411-01 | MUF COVER (REAR) CP    | 1   |         | -                   |                                |               | 2500 |
| 420  | 34J-56351-01 | MUF COVER (LL) CP      | 1   |         | -                   |                                |               | 2500 |
| 425  | 33B-57005-03 | SEAL RUBBER            | 1   |         | -                   |                                |               | 2500 |
| 460  | 011-00601-80 | FLANGE BOLT            | 6   | M6X18L  | -                   |                                |               | 2500 |
| 461  | 011-00600-80 | FLANGE BOLT            | 4   | M6X12L  | -                   |                                |               | 2500 |
| 480  | 33B-57105-03 | GLASS WOOL (M-COVER)   | 1   |         | -                   |                                |               | 2500 |
| 482  | 33B-57104-03 | GLASS WOOL             | 1   |         | -                   |                                |               | 2500 |
| 490  | 34J-57321-03 | SEAL SPONGE (MF27)     | 2   |         | -                   |                                |               | 2500 |
| 610  | 34G-55001-01 | COVER (RECOIL KNOB) CP | 1   |         | -                   |                                |               | 2500 |
| 615  | 34G-55002-01 | PLATE CP               | 1   |         | -                   |                                |               | 2500 |
| 617  | 004-35061-00 | SCREW AND WASHER AY    | 2   | M6X10L  | -                   |                                |               | 2500 |
| 900  | 34J-91003-03 | LABEL (TRADE MARK-R)   | 1   |         | -                   |                                |               | 2500 |
| 901  | 34J-92003-03 | LABEL (TRADE MARK-L)   | 1   |         | -                   |                                |               | 2500 |
| 904  | 34J-96006-23 | LABEL (SPEC)           | 1   |         | -                   |                                |               | 2500 |
| 910  | 33K-94002-03 | LABEL (CAUTION)        | 1   |         | -                   |                                |               | 2500 |
| 956  | 002-20045-00 | LABEL (HOT&GAS)        | 1   |         | -                   |                                |               | 2500 |
| 960  | 073-20053-90 | LABEL (93DB)           | 1   |         | -                   |                                |               | 2500 |
| 150  | 33D-56101-01 | SEPARATOR (A/C)        | 1   |         | -                   |                                |               | 2510 |

2 5 COVER

| REF. | PARTS NUMBER | PARTS NAME         | QTY | REMARKS | CODE NO.<br>FROM-TO | INTERCHANGEABLE<br>PART NUMBER | UNIT<br>PRICE | FIG. |
|------|--------------|--------------------|-----|---------|---------------------|--------------------------------|---------------|------|
| 151  | 33D-56102-01 | SEPARATOR (SEL)    | 1   |         | -                   |                                |               | 2510 |
| 160  | 011-00600-10 | FLANGE BOLT        | 6   | M6X8L   | -                   |                                |               | 2510 |
| 680  | 33B-57003-03 | SEAL RUBBER (TANK) | 2   |         | -                   |                                |               | 2510 |
| 681  | 33B-57004-03 | SEAL RUBBER        | 1   |         | -                   |                                |               | 2510 |
| 682  | 34J-57201-03 | SPONGE (TANK)      | 1   |         | -                   |                                |               | 2510 |
|      |              |                    |     |         |                     |                                |               |      |
|      |              |                    |     |         |                     |                                |               |      |
|      |              |                    |     |         |                     |                                |               |      |
|      |              |                    |     |         |                     |                                |               |      |
|      |              |                    |     |         |                     |                                |               |      |
|      |              |                    |     |         |                     |                                |               |      |
|      |              |                    |     |         |                     |                                |               |      |
|      |              |                    |     |         |                     |                                |               |      |
|      |              |                    |     |         |                     |                                |               |      |
|      |              |                    |     |         |                     |                                |               |      |
|      |              |                    |     |         |                     |                                |               |      |
|      |              |                    |     |         |                     |                                |               |      |
|      |              |                    |     |         |                     |                                |               |      |
|      |              |                    |     |         |                     |                                |               |      |
|      |              |                    |     |         |                     |                                |               |      |
|      |              |                    |     |         |                     |                                |               |      |
|      |              |                    |     |         |                     |                                |               |      |
|      |              |                    |     |         |                     |                                |               |      |
|      |              |                    |     |         |                     |                                |               |      |
|      |              |                    |     |         |                     |                                |               |      |
|      |              |                    |     |         |                     |                                |               |      |
|      |              |                    |     |         |                     |                                |               |      |
|      |              |                    |     |         |                     |                                |               |      |
|      |              |                    |     |         |                     |                                |               |      |
|      |              |                    |     |         |                     |                                |               |      |
|      |              |                    |     |         |                     |                                |               |      |
|      |              |                    |     |         |                     |                                |               |      |
|      |              |                    |     |         |                     |                                |               |      |
|      |              |                    |     |         |                     |                                |               |      |
|      |              |                    |     |         |                     |                                |               |      |
|      |              |                    |     |         |                     |                                |               |      |
|      |              |                    |     |         |                     |                                |               |      |
|      |              |                    |     |         |                     |                                |               |      |
|      |              |                    |     |         |                     |                                |               |      |
|      |              |                    |     |         |                     |                                |               |      |
|      |              |                    |     |         |                     |                                |               |      |
|      |              |                    |     |         |                     |                                |               |      |

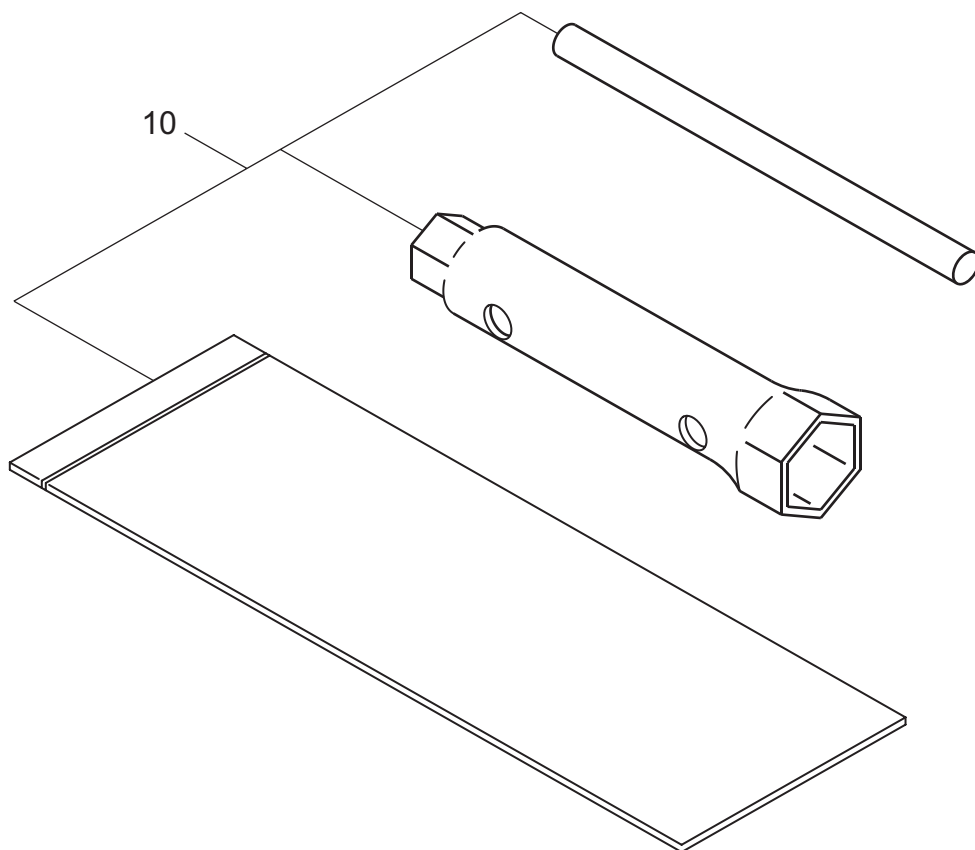
FIG. 2600



2 6 F U A L T A N K

| REF. | PARTS NUMBER | PARTS NAME          | QTY | REMARKS     | CODE NO.<br>FROM-TO | INTERCHANGEABLE<br>PART NUMBER | UNIT<br>PRICE | FIG. |
|------|--------------|---------------------|-----|-------------|---------------------|--------------------------------|---------------|------|
| 10   | 33D-60104-11 | FUEL TANK CP        | 1   |             | -                   |                                |               | 2600 |
| 30   | 043-05900-11 | FUEL TANK CAP AY    | 1   |             | -                   |                                |               | 2600 |
| 40   | 064-15400-11 | FUEL FILTER         | 1   |             | -                   |                                |               | 2600 |
| 45   | 064-80015-00 | FUEL GAUGE CP       | 1   |             | -                   |                                |               | 2600 |
| 50   | 064-20103-00 | FUEL STRAINER AY    | 1   |             | -                   |                                |               | 2600 |
| -1   | 064-20093-20 | FILTER              | 1   |             | -                   |                                |               | 2600 |
| -2   | 064-20064-10 | GASKET, O-RING      | 1   |             | -                   |                                |               | 2600 |
| -3   | 064-20078-10 | CUP                 | 1   |             | -                   |                                |               | 2600 |
| -13  | 064-20047-90 | SCREW               | 2   |             | -                   |                                |               | 2600 |
| 57   | 011-00600-20 | FLANGE BOLT         | 1   | M6X12L      | -                   |                                |               | 2600 |
| 80   | 085-10600-00 | RUBBER PIPE         | 1   | 6DX12D      | -                   |                                |               | 2600 |
| 81   | 085-10700-40 | RUBBER PIPE         | 1   | TANK - COCK | -                   |                                |               | 2600 |
| 85   | 251-17302-03 | MESH PROTECTOR      | 1   |             | -                   |                                |               | 2600 |
| 90   | 056-11100-20 | HOSE CLAMP          | 1   | 11D         | -                   |                                |               | 2600 |
| 91   | 056-11300-10 | HOSE CLAMP          | 2   | 13. 2D      | -                   |                                |               | 2600 |
| 92   | 056-11000-30 | HOSE CLAMP          | 1   | 10D         | -                   |                                |               | 2600 |
| 100  | 011-00602-20 | FLANGE BOLT         | 4   |             | -                   |                                |               | 2600 |
| 108  | 391-39000-13 | RUBBER (TANK)       | 4   |             | -                   |                                |               | 2600 |
| 948  | 073-20045-10 | LABEL (SYMBOL-TANK) | 1   |             | -                   |                                |               | 2600 |
|      |              |                     |     |             |                     |                                |               |      |
|      |              |                     |     |             |                     |                                |               |      |
|      |              |                     |     |             |                     |                                |               |      |
|      |              |                     |     |             |                     |                                |               |      |
|      |              |                     |     |             |                     |                                |               |      |
|      |              |                     |     |             |                     |                                |               |      |
|      |              |                     |     |             |                     |                                |               |      |
|      |              |                     |     |             |                     |                                |               |      |
|      |              |                     |     |             |                     |                                |               |      |
|      |              |                     |     |             |                     |                                |               |      |
|      |              |                     |     |             |                     |                                |               |      |
|      |              |                     |     |             |                     |                                |               |      |
|      |              |                     |     |             |                     |                                |               |      |
|      |              |                     |     |             |                     |                                |               |      |
|      |              |                     |     |             |                     |                                |               |      |
|      |              |                     |     |             |                     |                                |               |      |
|      |              |                     |     |             |                     |                                |               |      |
|      |              |                     |     |             |                     |                                |               |      |
|      |              |                     |     |             |                     |                                |               |      |

FIG. 2900





PART NUMBER INDEX LIST

| PARTS NUMBER | PARTS NAME          | FIG. | REF. | PARTS NUMBER | PARTS NAME          | FIG. | REF.    |
|--------------|---------------------|------|------|--------------|---------------------|------|---------|
| 001-04083-50 | FLANGE BOLT         | 100  | 300  | 011-00802-70 | FLANGE BOLT         | 2110 | 182     |
| 001-11062-50 | BOLT AND WASHER AY  | 2500 | 274  | 011-00802-70 | FLANGE BOLT         | 2130 | 315     |
| 001-14061-60 | BOLT AND WASHER AY  | 700  | 740  | 011-00803-10 | FLANGE BOLT         | 100  | 631     |
| 001-14062-50 | BOLT AND WASHER AY  | 700  | 30   | 011-00803-20 | FLANGE BOLT         | 2130 | 318     |
| 001-14062-50 | BOLT AND WASHER AY  | 2200 | 264  | 011-01001-10 | FLANGE BOLT         | 2150 | 582     |
| 001-14063-00 | BOLT AND WASHER AY  | 2150 | 512  | 013-00602-60 | BOLT AND WASHER AY  | 700  | 742     |
| 001-14066-00 | BOLT AND WASHER AY  | 2150 | 513  | 013-01000-60 | BOLT AND WASHER AY  | 2110 | 187     |
| 001-14081-60 | BOLT AND WASHER AY  | 2300 | 120  | 013-10400-80 | SCREW AND WASHER AY | 2400 | 592     |
| 001-14081-60 | BOLT AND WASHER AY  | 2300 | 380  | 014-00601-21 | SCREW               | 2300 | 44      |
| 002-17030-00 | NUT                 | 2400 | 537  | 014-00601-90 | SCREW               | 2400 | 720     |
| 002-17040-00 | NUT                 | 2400 | 594  | 014-90500-20 | ADJUST SCREW        | 300  | 230     |
| 002-17080-00 | NUT                 | 720  | 216  | 014-90500-20 | ADJUST SCREW        | 300  | 231     |
| 002-18050-00 | NUT                 | 2130 | 333  | 015-00400-70 | TAPPING SCREW       | 2400 | 170     |
| 002-20045-00 | LABEL (HOT&GAS)     | 2500 | 956  | 015-00400-70 | TAPPING SCREW       | 2400 | 643     |
| 002-38060-00 | FLANGE NUT          | 2130 | 353  | 015-20600-50 | TAPPING BOLT        | 700  | 775     |
| 002-38060-00 | FLANGE NUT          | 2500 | 277  | 017-00500-30 | NUT                 | 300  | 240     |
| 002-38080-00 | FLANGE NUT          | 2130 | 317  | 017-00500-30 | NUT                 | 300  | 241     |
| 002-38080-00 | FLANGE NUT          | 2300 | 330  | 018-01800-10 | FLANGE NUT          | 200  | 50      |
| 003-10040-00 | WASHER              | 2400 | 172  | 020-01001-60 | WASHER              | 2200 | 228     |
| 003-10080-00 | WASHER              | 720  | 150  | 021-11400-20 | GASKET              | 100  | 90      |
| 003-11120-00 | WASHER              | 2300 | 786  | 021-32000-50 | GASKET              | 100  | 280     |
| 003-13050-00 | CLIP                | 300  | 202  | 024-00600-10 | O RING              | 300  | 27      |
| 003-13050-00 | CLIP                | 400  | 50   | 032-30300-10 | WOODRUFF KEY        | 200  | 70      |
| 003-20050-00 | SPRING WASHER       | 2200 | 218  | 040-11400-30 | PLUG                | 100  | 80      |
| 003-20080-00 | SPRING WASHER       | 720  | 218  | 043-05900-11 | FUEL TANK CAP AY    | 2600 | 30      |
| 003-30050-00 | LOCK WASHER         | 2400 | 684  | 044-00600-20 | OIL SEAL            | 100  | 75      |
| 004-35051-60 | SCREW AND WASHER AY | 2130 | 332  | 044-03001-60 | OIL SEAL            | 100  | 30      |
| 004-35061-00 | SCREW AND WASHER AY | 2500 | 617  | 044-03001-60 | OIL SEAL            | 100  | 220     |
| 004-36031-20 | SCREW AND WASHER AY | 2400 | 536  | 056-11000-30 | HOSE CLAMP          | 2600 | 92      |
| 004-36051-60 | SCREW AND WASHER AY | 2200 | 311  | 056-11100-20 | HOSE CLAMP          | 2600 | 90      |
| 004-36061-60 | SCREW AND WASHER AY | 2400 | 310  | 056-11300-10 | HOSE CLAMP          | 2600 | 91      |
| 005-10302-50 | COTTER PIN          | 2300 | 790  | 056-30000-20 | WIRE BAND           | 2400 | 767     |
| 010-01002-00 | BOLT                | 2200 | 224  | 056-51800-10 | CLIP                | 200  | 380     |
| 010-50604-10 | STUD                | 100  | 70   | 056-60002-50 | CLAMP               | 2170 | 774     |
| 010-50802-90 | STUD                | 2110 | 110  | 060-03003-41 | BALL BEARING        | 100  | 40      |
| 010-50804-40 | STUD                | 2110 | 111  | 060-03003-70 | BALL BEARING        | 100  | 230     |
| 011-00600-10 | FLANGE BOLT         | 2130 | 319  | 064-15400-11 | FUEL FILTER         | 2600 | 40      |
| 011-00600-10 | FLANGE BOLT         | 2510 | 160  | 064-20047-90 | SCREW               | 2600 | 50 -13  |
| 011-00600-20 | FLANGE BOLT         | 100  | 710  | 064-20064-10 | GASKET, O-RING      | 2600 | 50 -2   |
| 011-00600-20 | FLANGE BOLT         | 300  | 290  | 064-20078-10 | CUP                 | 2600 | 50 -3   |
| 011-00600-20 | FLANGE BOLT         | 720  | 135  | 064-20093-20 | FILTER              | 2600 | 50 -1   |
| 011-00600-20 | FLANGE BOLT         | 2130 | 373  | 064-20103-00 | FUEL STRAINER AY    | 2600 | 50      |
| 011-00600-20 | FLANGE BOLT         | 2150 | 562  | 064-80015-00 | FUEL GAUGE CP       | 2600 | 45      |
| 011-00600-20 | FLANGE BOLT         | 2300 | 627  | 065-01401-50 | SPARK PLUG          | 700  | 100     |
| 011-00600-20 | FLANGE BOLT         | 2300 | 782  | 065-50002-70 | SPARK PLUG CAP      | 700  | 110     |
| 011-00600-20 | FLANGE BOLT         | 2600 | 57   | 066-00003-30 | KEY SWITCH          | 2400 | 10      |
| 011-00600-50 | FLANGE BOLT         | 2130 | 372  | 066-00099-80 | KEY                 | 2400 | 11      |
| 011-00600-50 | FLANGE BOLT         | 2400 | 362  | 073-20026-51 | LABEL (EARTH)       | 2300 | 928     |
| 011-00600-80 | FLANGE BOLT         | 2300 | 43   | 073-20045-10 | LABEL (SYMBOL-TANK) | 2600 | 948     |
| 011-00600-80 | FLANGE BOLT         | 2500 | 461  | 073-20053-90 | LABEL (93DB)        | 2500 | 960     |
| 011-00601-40 | FLANGE BOLT         | 2150 | 522  | 085-10600-00 | RUBBER PIPE         | 2600 | 80      |
| 011-00601-80 | FLANGE BOLT         | 2500 | 272  | 085-10700-40 | RUBBER PIPE         | 2600 | 81      |
| 011-00601-80 | FLANGE BOLT         | 2500 | 460  | 085-10800-00 | RUBBER PIPE         | 2130 | 354     |
| 011-00602-20 | FLANGE BOLT         | 2600 | 100  | 107-70652-08 | SPRING WASHER       | 720  | 120 -21 |
| 011-00801-50 | FLANGE BOLT         | 2110 | 183  | 132-10KA0-31 | COLLET-VALVE        | 300  | 95      |
| 011-00802-40 | FLANGE BOLT         | 100  | 630  | 209-70505-18 | FRAME CP            | 720  | 120 -11 |



PART NUMBER INDEX LIST

| PARTS NUMBER | PARTS NAME           | FIG. REF.     | PARTS NUMBER | PARTS NAME           | FIG. REF.     |
|--------------|----------------------|---------------|--------------|----------------------|---------------|
| 209-70510-08 | BUSH                 | 720 120 -12   | 277-90301-H0 | ACCESSORY TOOL KIT   | 2900 10       |
| 209-70511-08 | BUSH                 | 720 120 -10   | 279-10102-51 | CRANK CASE CP        | 100 10        |
| 209-70521-08 | OVER RUNNING CLUT CP | 720 120 -7    | 279-11001-21 | MAIN BEARING COVER C | 100 210       |
| 209-70525-08 | LEVER                | 720 120 -14   | 279-13005-01 | CYLINDER HEAD CP     | 100 610       |
| 209-70530-08 | BRUSH HOLDER         | 720 120 -4    | 279-15001-33 | GASKET (HEAD)        | 100 620       |
| 209-70545-08 | BRUSH SPRING         | 720 120 -3    | 279-20701-41 | CRANKSHAFT CP        | 200 10        |
| 209-70550-08 | YOKE CP              | 720 120 -1    | 279-22501-20 | CONNECTING ROD AY    | 200 310       |
| 209-70551-08 | BRUSH                | 720 120 -2    | 279-23001-03 | CONNECTING ROD BOLT  | 200 320       |
| 209-70552-08 | INSULATOR            | 720 120 -5    | 279-23301-03 | PISTON PIN           | 200 350       |
| 209-70554-08 | ARMATURE AY          | 720 120 -6    | 279-23401-03 | PISTON               | 200 360       |
| 209-70557-18 | SNAP RING            | 720 120 -16   | 279-23403-03 | PISTON               | 200 361       |
| 209-70558-08 | THROUGH BOLT         | 720 120 -17   | 279-23404-03 | PISTON               | 200 362       |
| 209-70560-08 | NUT                  | 720 120 -19   | 279-23511-17 | PISTON RING SET      | 200 370       |
| 211-70584-08 | NUT                  | 720 120 -22   | 279-23512-17 | PISTON RING SET      | 200 371       |
| 214-79007-01 | BOLT(STARTER)        | 720 130       | 279-23513-17 | PISTON RING SET      | 200 372       |
| 226-45001-03 | RETURN SPRING        | 2400 713      | 279-30411-41 | MUFFLER CP (SILENT)  | 2130 310      |
| 227-75001-03 | GROMMET              | 2400 528      | 279-31602-11 | CAM SHAFT CP         | 300 10        |
| 234-70555-08 | PINION STOPPER       | 720 120 -8    | 279-32612-08 | ELEMENT AY           | 2130 351      |
| 237-14202-03 | VALVE GUIDE          | 100 20        | 279-32622-00 | AIR CLEANER AY       | 2130 350      |
| 251-17302-03 | MESH PROTECTOR       | 2600 85       | 279-32635-08 | CLEANER BODY CP      | 2130 350 -200 |
| 251-62350-08 | GASKET               | 2160 610 -17  | 279-32646-08 | COVER CP             | 2130 350 -250 |
| 251-62450-08 | SCREW                | 2160 610 -2   | 279-32650-08 | GASKET               | 2130 350 -220 |
| 251-62450-08 | SCREW                | 2160 610 -4   | 279-32910-03 | INSULATOR            | 2130 360      |
| 251-62453-08 | BOLT                 | 2160 610 -12  | 279-33401-13 | INTAKE VALVE         | 300 80        |
| 267-71002-03 | RING GEAR            | 700 20        | 279-33501-13 | EXHAUST VALVE        | 300 90        |
| 269-33701-03 | SPRING RETAINER      | 300 70        | 279-33601-03 | VALVE SPRING         | 300 60        |
| 277-15011-03 | PIPE KNOCK           | 100 50        | 279-35601-11 | TIMING CHAIN CP      | 300 150       |
| 277-15011-03 | PIPE KNOCK           | 100 700       | 279-35902-H3 | GASKET 1 (INSULATOR) | 2130 361      |
| 277-15501-01 | ROCKER COVER CP      | 100 680       | 279-35903-H3 | GASKET 2 (INSULATOR) | 2130 362      |
| 277-16001-13 | GASKET(ROCKER COVER) | 100 690       | 279-36401-03 | RELEASE LEVER        | 300 35        |
| 277-16010-01 | STEM SEAL            | 100 26        | 279-38701-13 | RETURN SPRING        | 300 38        |
| 277-24401-03 | DRIVING SHAFT        | 2150 580      | 279-39004-01 | BRACKET (A/C) CP     | 2130 370      |
| 277-35002-01 | PIN (ROCKER) CP      | 300 200       | 279-39201-03 | FLANGE               | 2130 326      |
| 277-35101-03 | PIN (CAM SHAFT)      | 300 25        | 279-39701-13 | SPONGE (INSULATOR)   | 2130 365      |
| 277-35201-13 | GASKET (MUFFLER)     | 2130 320      | 279-52001-13 | BLOWER HOUSING       | 2150 510      |
| 277-36201-00 | ROCKER ARM (IN) AY   | 300 220       | 279-52702-13 | BAFFLE 2 (HEAD)      | 2150 560      |
| 277-36202-00 | ROCKER ARM (EX) AY   | 300 225       | 279-54110-03 | COOLING BLOWER       | 2150 530      |
| 277-36501-03 | CLIP                 | 300 37        | 279-62330-00 | CARBURETOR AY        | 2160 610      |
| 277-36902-03 | PIN (TENTIONER)      | 300 166       | 279-62353-18 | ADJUST SCREW         | 2160 610 -40  |
| 277-36911-03 | TENTIONER            | 300 160       | 279-62400-08 | JET MAIN             | 2160 610 -22  |
| 277-36913-13 | CHAIN GUIDE          | 300 170       | 279-62420-08 | SLOW JET             | 2160 610 -5   |
| 277-37101-03 | SPRING (TENTIONER)   | 300 163       | 279-62445-08 | SPRING               | 2160 610 -41  |
| 277-37210-03 | TAIL SCREEN COVER    | 2130 330      | 279-62447-08 | SPRING (CHOKE)       | 2160 610 -25  |
| 277-37220-03 | SCREEN               | 2130 331      | 279-62451-08 | O RING               | 2160 610 -152 |
| 277-38601-03 | PIN (SPRING)         | 300 34        | 279-62452-08 | O RING               | 2160 610 -151 |
| 277-48601-03 | PIN(BLIND)           | 400 20        | 279-62500-08 | NEEDLE               | 2160 610 -14  |
| 277-50401-00 | RECOIL STARTER AY    | 2150 520      | 279-62505-08 | FLOAT SUB AY         | 2160 610 -19  |
| 277-50402-08 | SPIRAL SPRING        | 2150 520 -1   | 279-62515-08 | PIN                  | 2160 610 -15  |
| 277-50403-08 | REEL                 | 2150 520 -2   | 279-62521-08 | CHOKE LEVER          | 2160 610 -8   |
| 277-50404-08 | RACHET               | 2150 520 -5   | 279-62526-08 | CHOKE VALVE          | 2160 610 -3   |
| 277-50405-08 | FRICTION SPRING      | 2150 520 -6   | 279-62531-08 | THROTTLE SHAFT       | 2160 610 -11  |
| 277-50406-08 | RETAINING RING       | 2150 520 -10  | 279-62535-08 | THROTTLE VALVE       | 2160 610 -1   |
| 277-50407-08 | FRICTION PLATE       | 2150 520 -8   | 279-62540-08 | GASKET CHAMBER       | 2160 610 -18  |
| 277-50408-08 | STARTER PORE         | 2150 520 -3   | 279-62553-08 | FLOAT BODY           | 2160 610 -16  |
| 277-50409-08 | STARTER KNOB         | 2150 520 -4   | 279-62561-08 | BUSH                 | 2160 610 -32  |
| 277-62595-08 | COVER (MOTOR)        | 2160 610 -404 | 279-62565-08 | COLLAR               | 2160 610 -107 |

PART NUMBER INDEX LIST

| PARTS NUMBER | PARTS NAME           | FIG. REF.     | PARTS NUMBER | PARTS NAME           | FIG. REF. |
|--------------|----------------------|---------------|--------------|----------------------|-----------|
| 279-62575-08 | BRACKET              | 2160 610 -420 | 33D-60104-11 | FUEL TANK CP         | 2600 10   |
| 279-62580-08 | SCREW                | 2160 610 -428 | 33K-41811-03 | MICRO SWITCH         | 2400 615  |
| 279-62581-08 | SCREW                | 2160 610 -28  | 33K-41814-08 | TAPPING SCREW        | 2400 642  |
| 279-62590-08 | VINYL PIPE           | 2160 610 -191 | 33K-42010-03 | CONTROL DIAL         | 2400 630  |
| 279-62600-08 | JOINT LEVER          | 2160 610 -410 | 33K-42020-03 | CHOKE REEL           | 2400 636  |
| 279-63601-13 | OIL GAUGE            | 100 270       | 33K-42030-13 | PLATE                | 2400 638  |
| 279-70502-00 | STARTING MOTOR AY    | 720 120       | 33K-94002-03 | LABEL (CAUTION)      | 2500 910  |
| 279-70515-08 | MAGNET SWITCH CP     | 720 120 -15   | 34B-21001-08 | BEARING              | 2200 222  |
| 279-70550-08 | HOUSING CP           | 720 120 -9    | 34B-23071-01 | REAR COVER           | 2200 260  |
| 279-73105-H1 | WIRE 5 CP            | 700 50        | 34B-48002-01 | WIRE HARNESS CP      | 2400 430  |
| 279-75501-03 | WIRE CLAMP           | 700 770       | 34B-48091-01 | EARTH WIRE CP        | 2300 441  |
| 279-76301-31 | OIL SENSOR CP        | 700 700       | 34B-48101-01 | WIRE HARNESS(E/G) CP | 2200 430  |
| 279-76511-11 | BRACKET (SEL) CP     | 720 125       | 34B-49122-03 | SHEET (PANEL VS) 22  | 2400 510  |
| 279-79261-11 | FLYWHEEL CP          | 700 10        | 34B-55001-03 | COVER (INVERTOR)     | 2200 305  |
| 279-79431-01 | IGNITION COIL CP     | 700 11        | 34B-57302-03 | SEAL SPONGE IV2      | 2200 381  |
| 279-99001-27 | GASKET SET           | 100 960       | 34B-57303-03 | SEAL SPONGE IV3      | 2200 382  |
| 284-62315-08 | SPRING (THROTTLE)    | 2160 610 -109 | 34B-57310-03 | SEAL SPONGE FC1      | 2500 280  |
| 284-62446-08 | SPRING               | 2160 610 -412 | 34B-57311-03 | SEAL SPONGE FC2      | 2400 470  |
| 284-62456-08 | SCREW                | 2160 610 -23  | 34B-57311-03 | SEAL SPONGE FC2      | 2500 290  |
| 284-62457-08 | SCREW                | 2160 610 -408 | 34D-20061-01 | ROTOR CP             | 2200 220  |
| 284-62458-08 | SCREW                | 2160 610 -406 | 34D-21051-01 | STATOR CP            | 2200 210  |
| 284-62576-08 | BRACKET (MOTOR)      | 2160 610 -402 | 34D-21051-08 | BOLT                 | 2200 214  |
| 284-62580-08 | MOTOR                | 2160 610 -400 | 34D-45718-10 | CONTROL PANEL AY     | 2400 500  |
| 31B-79011-03 | SCREW                | 2400 665      | 34G-55001-01 | COVER(RECOIL KNOB)CP | 2500 610  |
| 32B-30203-01 | MOUNT CP(R)          | 2300 322      | 34G-55002-01 | PLATE CP             | 2500 615  |
| 32B-30204-01 | MOUNT CP(L)          | 2300 323      | 34G-55201-01 | SHAFT (WHEEL) CP     | 2300 350  |
| 32B-30213-01 | MOUNT CP(R)          | 2300 321      | 34G-55211-21 | DRAIN GUIDE CP       | 2300 625  |
| 32B-30214-01 | MOUNT CP(L)          | 2300 320      | 34G-55301-01 | COVER BOLT CP        | 2500 360  |
| 332-00050-08 | SPRING WASHER        | 2400 681      | 34G-55302-01 | SPACER CP            | 2500 365  |
| 33B-35501-01 | BRACKET (COVER) CP   | 2500 215      | 34G-56002-10 | BRAKE -2 AY          | 2300 370  |
| 33B-35602-01 | BATTERY BASE         | 2300 40       | 34G-56102-13 | SPRING (BRAKE)       | 2300 376  |
| 33B-35801-02 | BRACKET (REG) UN     | 2400 336      | 34G-57321-03 | SEAL SPONGE (SIDE)   | 2500 405  |
| 33B-45009-01 | PANEL PLATE CP       | 2400 505      | 34G-59005-03 | SPONGE (BASE)        | 2300 80   |
| 33B-46001-03 | COVER (COCK)         | 2400 171      | 34G-59006-03 | SPONGE (BASE)        | 2300 130  |
| 33B-46012-01 | BRACKET (COCK)       | 2400 175      | 34G-59008-03 | SPONGE (S COVER-L)   | 2500 391  |
| 33B-46015-01 | BRACKET (MICRO)      | 2400 640      | 34J-30001-01 | FRAME CP             | 2300 10   |
| 33B-46021-01 | CHOKE WIRE CP        | 2400 710      | 34J-51001-01 | SIDE COVER (R) CP    | 2500 310  |
| 33B-47202-01 | REGULATOR CP         | 2400 330      | 34J-51101-01 | SIDE COVER (L) CP    | 2500 330  |
| 33B-48052-01 | WIRE HARNESS CP      | 2400 431      | 34J-53002-01 | BASE PLATE(UPPER)CP  | 2300 110  |
| 33B-48072-11 | BATTERY WIRE CP      | 2300 832      | 34J-53101-01 | BASE PLATE(LOWER)CP  | 2300 50   |
| 33B-48091-01 | EARTH WIRE CP        | 2300 440      | 34J-54101-01 | FAN (SILENT) CP      | 2110 185  |
| 33B-50001-01 | FRONT COVER(UPPER)CP | 2400 110      | 34J-55101-03 | SIDE RUBBER SEAL     | 2500 315  |
| 33B-50101-01 | FRONT COVER(LOWER)CP | 2500 210      | 34J-55101-03 | SIDE RUBBER SEAL     | 2500 335  |
| 33B-50501-01 | REAR COVER(UPPER)CP  | 2500 230      | 34J-56351-01 | MUF COVER (LL) CP    | 2500 420  |
| 33B-56411-01 | MUF COVER (REAR)CP   | 2500 410      | 34J-57201-03 | SPONGE (TANK)        | 2510 682  |
| 33B-57003-03 | SEAL RUBBER (TANK)   | 2510 680      | 34J-57301-03 | SEAL SPONGE IV1      | 2200 380  |
| 33B-57004-03 | SEAL RUBBER          | 2510 681      | 34J-57321-03 | SEAL SPONGE (MF27)   | 2500 490  |
| 33B-57005-03 | SEAL RUBBER          | 2500 425      | 34J-59001-13 | SPONGE (S COVER-R)   | 2500 380  |
| 33B-57104-03 | GLASS WOOL           | 2500 482      | 34J-59002-13 | SPONGE (S COVER-L)   | 2500 390  |
| 33B-57105-03 | GLASS WOOL (M-COVER) | 2500 480      | 34J-90003-03 | LABEL (TRADE MARK)   | 2400 900  |
| 33B-58001-01 | BATTERY BAND         | 2300 815      | 34J-91003-03 | LABEL (TRADE MARK-R) | 2500 900  |
| 33D-35001-01 | BOTTOM EXT. PLATE CP | 2110 180      | 34J-92003-03 | LABEL (TRADE MARK-L) | 2500 901  |
| 33D-35701-03 | BATTERY COVER        | 2300 837      | 34J-96006-23 | LABEL (SPEC)         | 2500 904  |
| 33D-52601-03 | BAFFLE               | 2130 313      | 34K-20903-08 | RECTIFIER            | 2200 360  |
| 33D-56101-01 | SEPARATOR (A/C)      | 2510 150      | 34K-20904-08 | SCREW                | 2200 362  |
| 33D-56102-01 | SEPARATOR (SEL)      | 2510 151      | 34K-20905-08 | SCREW                | 2200 680  |

PART NUMBER INDEX LIST

| PARTS NUMBER | PARTS NAME            | FIG. REF. | PARTS NUMBER | PARTS NAME | FIG. REF. |
|--------------|-----------------------|-----------|--------------|------------|-----------|
| 34K-20907-08 | BAND                  | 2200 767  |              |            |           |
| 352-45620-08 | CIRCUIT BREAKER       | 2400 660  |              |            |           |
| 353-49901-08 | WING NUT              | 2400 685  |              |            |           |
| 353-49902-08 | NUT                   | 2400 683  |              |            |           |
| 353-49903-08 | WASHER                | 2400 682  |              |            |           |
| 353-49904-08 | TAPPING SCREW         | 2400 480  |              |            |           |
| 358-40621-08 | AC CONCENT (FINLAND)  | 2400 530  |              |            |           |
| 363-45700-08 | TERMINAL BOLT         | 2400 672  |              |            |           |
| 363-45701-08 | TERMINAL BOLT         | 2400 671  |              |            |           |
| 388-88001-03 | SCREW AND WASHER AY   | 2400 680  |              |            |           |
| 391-39000-13 | RUBBER (TANK)         | 2600 108  |              |            |           |
| 393-30603-01 | WHEEL CP              | 2300 180  |              |            |           |
| 949-29970-02 | NUT                   | 720 120   |              |            | -18       |
| 980-20082-80 | FLANGE NUT            | 2130 322  |              |            |           |
| 980-40081-10 | STR PIN -8X10         | 2150 515  |              |            |           |
| KU3-10730-21 | INV & E/G C/U CP(F14) | 2200 302  |              |            |           |
| KU3-11770-11 | MONITOR C/U CP(INV2)  | 2400 590  |              |            |           |