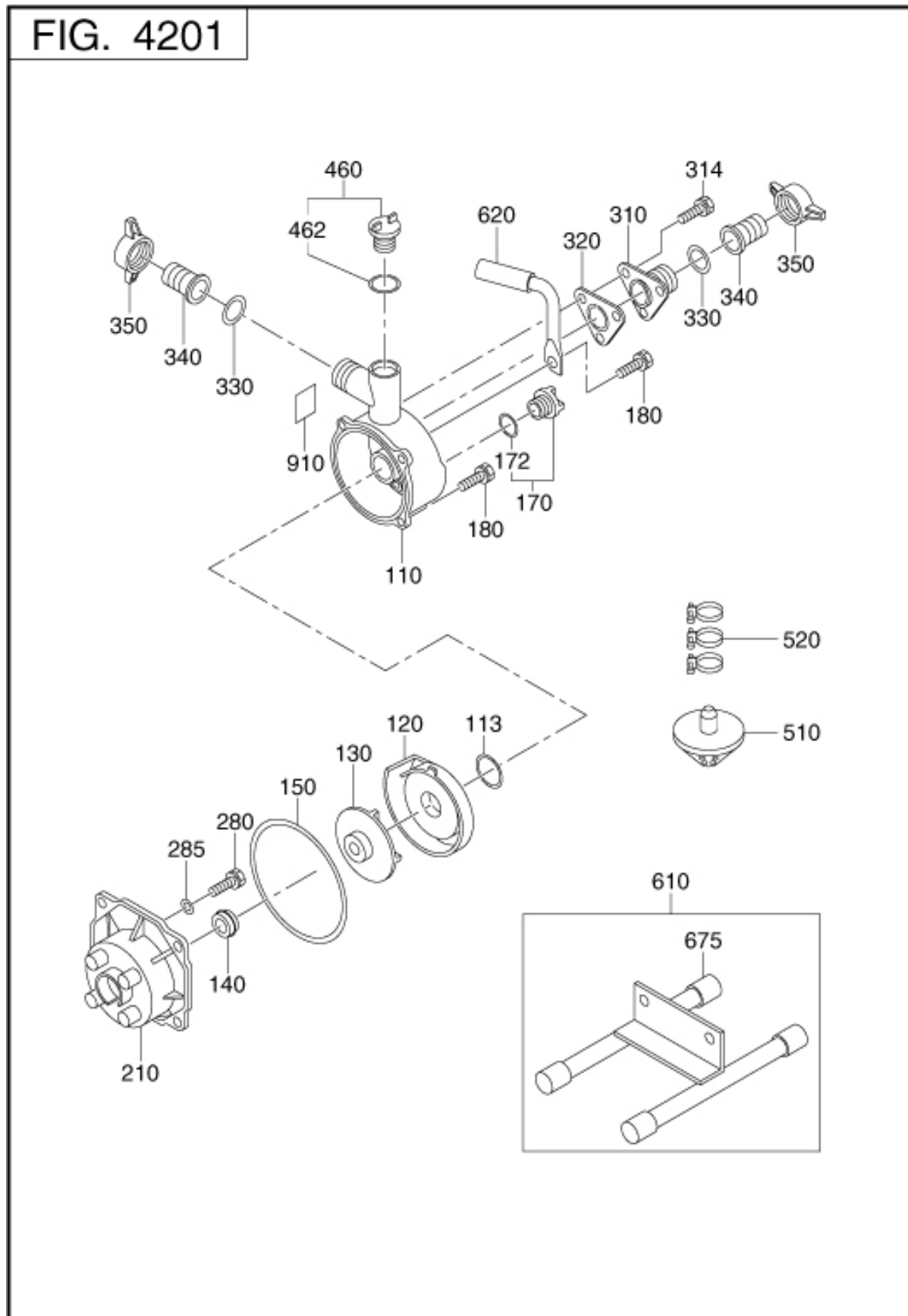


42 PUMP



REF.	PART NUMBER	PART NAME	CODE NO.	QTY	REMARKS	INTERCHANGE
110	481-10000-06	CASING	-	1		
113	481-10000-05	O-RING	-	1		
120	481-10000-04	INNER CASING	-	1		
130	481-10000-03	IMPELLER	-	1		
140	480-02510-10	MECHANICAL SEAL	-	1		
150	481-10000-02	O-RING	-	1		
170	480-05010-21	PLUG,DRAIN	-	1		
172	480-05010-22	O-RING	-	1		
180	481-00001-86	HEX.BOLT	-	4		
210	481-10000-12	CASING	-	1		
280	480-02510-05	HEX.BOLT	-	4		
285	481-10000-14	SEAL PACKING	-	4		
310	481-10000-09	VALVE CASE	-	1		
314	481-00001-87	HEX.BOLT	-	3		
320	481-10000-08	CHECK VALVE	-	1		
330	480-02510-17	PACKING,COUPLING	-	2		
340	480-02510-18	HOSE COUPLING	-	2		
350	480-02510-16	COUPLING,HANDLE	-	2		
460	481-10000-10	PLUG AY	-	1		
462	481-10000-05	O-RING	-	1		
510	480-02550-29	STRAINER	-	1		
520	480-02510-28	HOSE BAND	-	3		
610	481-10000-13	FRAME	-	1		
620	481-10000-07	CARRING HANDLE	-	1		
675	480-02530-31	RUBBER	-	4		
910	483-00002-43	LABEL(PUMP NAME)	-	1		