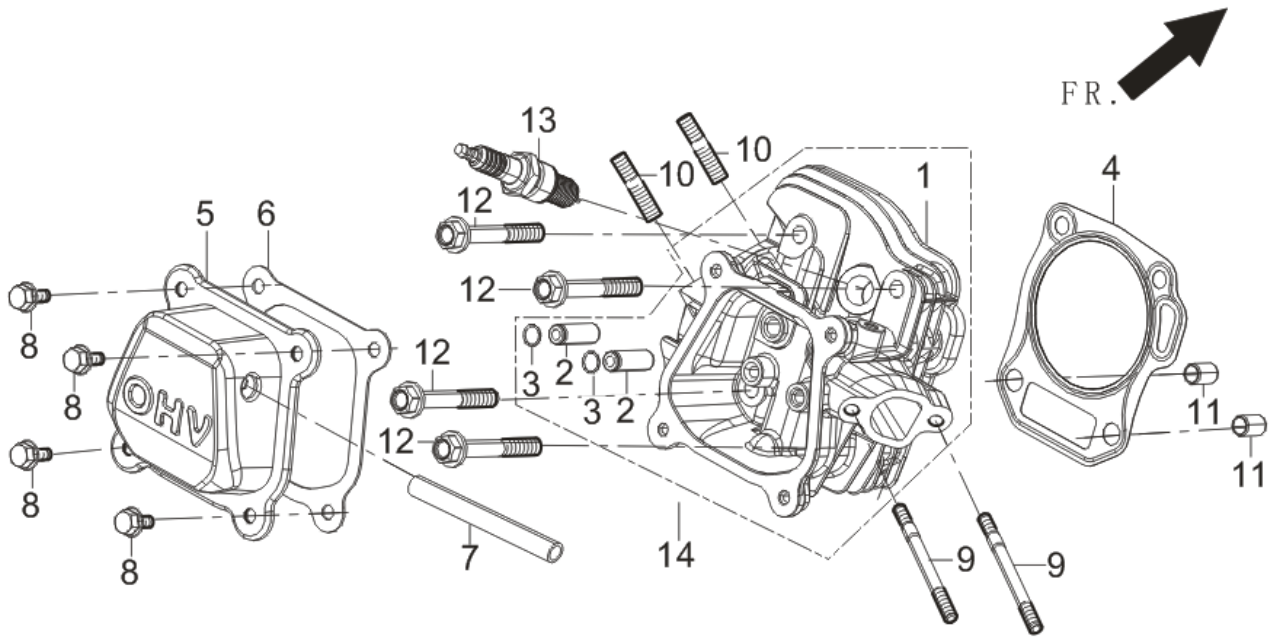


ACCESS J 60/75

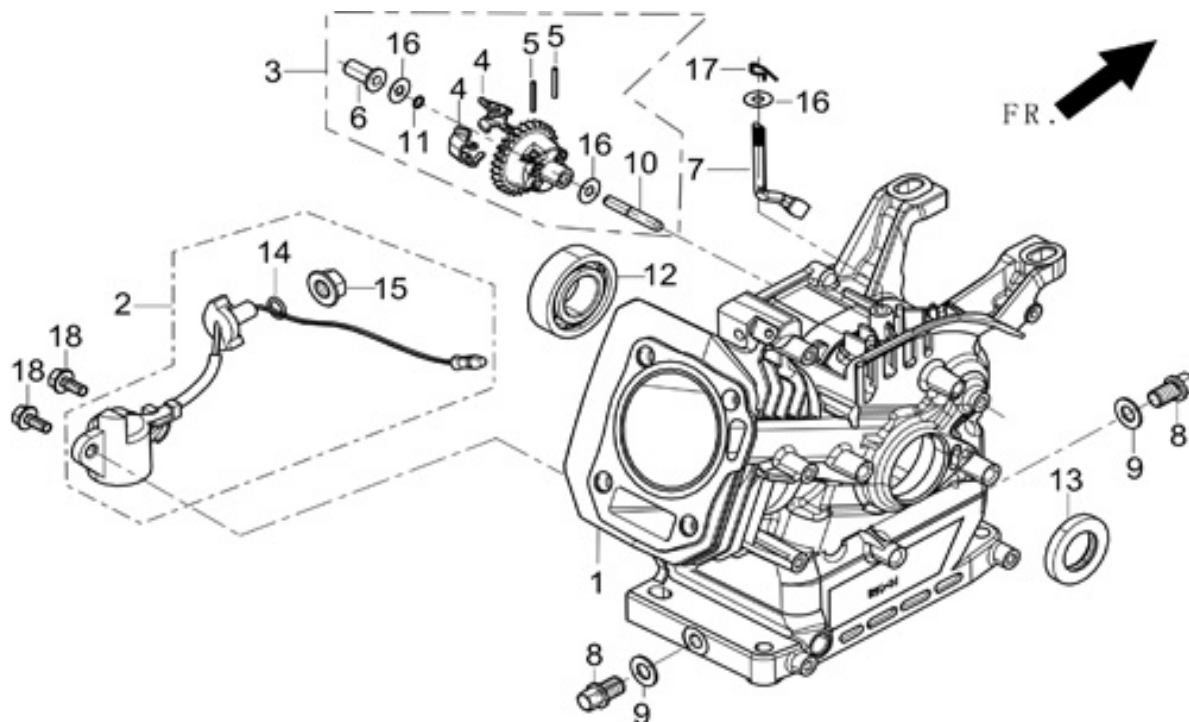
FIG.1 HEAD SUBASSEMBLY, CYLINDER / PLUG, SPARK (E01)



| REF.NO. | PART NO | DESCRIPTION | Q'TY |
|---------|--------------------|----------------------------------|------|
| E01-4 | 12131-Z140120-0000 | GASKET, CYLINDER HEAD | 1 |
| E01-5 | 12410-Z300120-0000 | COVER SUBASSEMBLY, CYLINDER HEAD | 1 |
| E01-6 | 12004-Z010110-0000 | GASKET, CYLINDER HEAD COVER | 1 |
| E01-7 | 17004-Z050210-0000 | TUBE, BREATHER | 1 |
| E01-8 | 90001-0612-01 | BOLT | 4 |
| E01-9 | 90204-Z010310-0000 | STUD | 2 |
| E01-10 | 90203-Z010110-0000 | STUD | 2 |
| E01-11 | 90502-1014-00 | PIN | 2 |
| E01-12 | 12003-Z010110-0000 | BOLT, CYLINDER HEAD | 4 |
| E01-13 | 30010-Z010210-0000 | PLUG, SPARK | 1 |
| E01-14 | 12140-Z040610-0000 | HEAD SUBASSEMBLY, CYLINDER | 1 |

ACCESS J 60/75

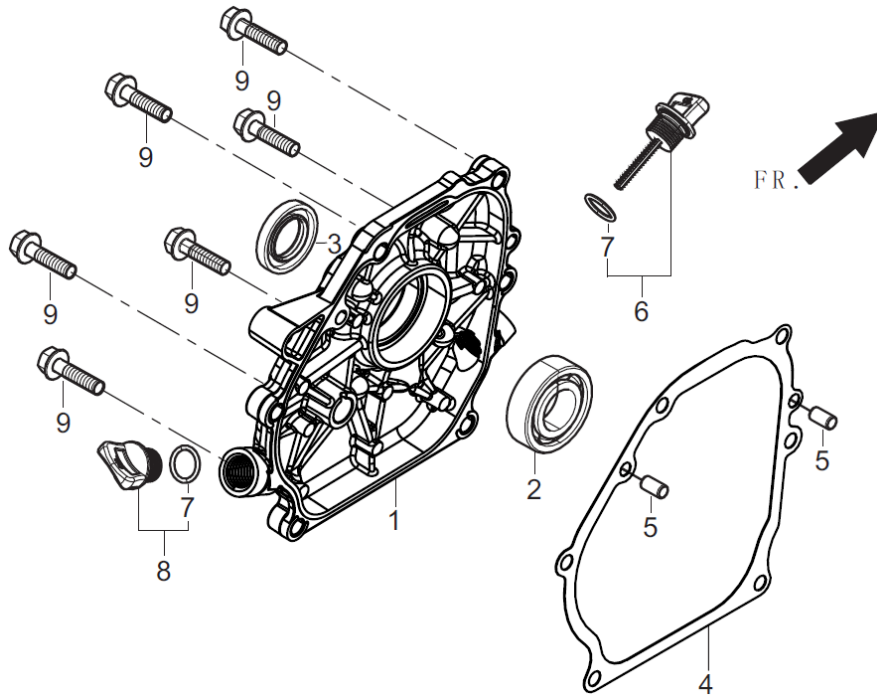
FIG.2 CRANKCASE. / GEAR ASSY, GOVERNOR. (E02)



| REF.NO. | PART NO | DESCRIPTION | Q'TY |
|---------|--------------------|------------------------|------|
| E02-1 | 11310-Z141220-0000 | CRANKCASE SUBASSEMBLY. | 1 |
| E02-2 | 37060-Z010120-0000 | SENSOR, ENGINE OIL | 1 |
| E02-3 | 16400-Z010110-0000 | GEAR ASSY, GOVERNOR | 1 |
| E02-7 | 16061-Z010110-0000 | ARM, GOVERNOR | 1 |
| E02-8 | 11007-Z010110-0000 | BOLT, DRAIN PLUG | 2 |
| E02-9 | 90408-Z010110-0000 | WASHER | 2 |
| E02-12 | 90548-0205-CL | BEARING | 1 |
| E02-13 | 90682-Z300110-0000 | SEAL, OIL | 1 |
| E02-15 | 90305-Z010210-01 | NUT | 1 |
| E02-16 | 90408-Z010210-0000 | WASHER | 1 |
| E02-17 | 90501-Z010110-0000 | PIN | 1 |
| E02-18 | 90001-0614-01 | BOLT | 2 |

ACCESS J 60/75

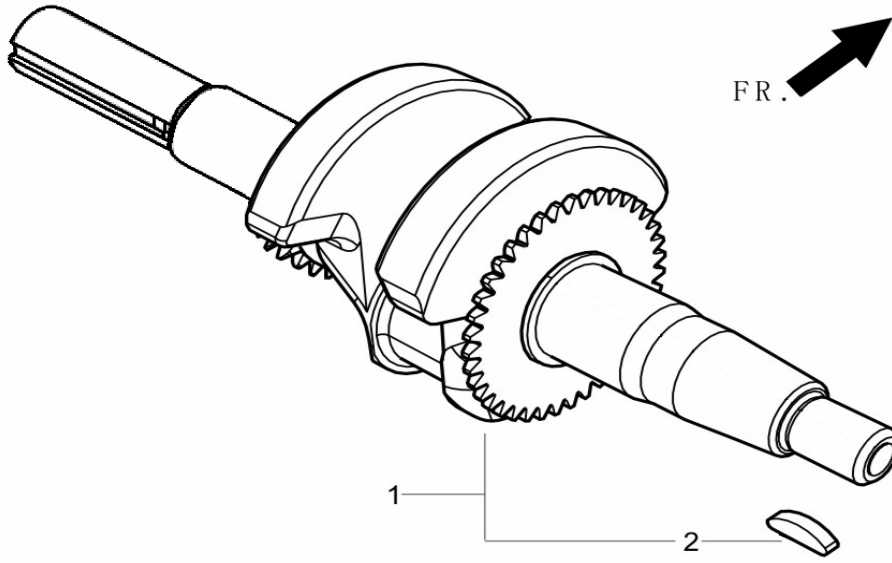
FIG.3 COVER SUBASSEMBLY, CRANKCASE (E03)



| REF.NO. | PART NO | DESCRIPTION | Q'TY |
|---------|--------------------|------------------------------|------|
| E03-1 | 11411-Z010710-0000 | COVER, CRANKCASE | 1 |
| E03-2 | 90548-0205-CL | BEARING | 1 |
| E03-3 | 90682-Z300110-0000 | SEAL, OIL | 1 |
| E03-4 | 11001-Z010120-0000 | GASKET, CRANKCASE | 1 |
| E03-5 | 90502-0812-00 | PIN | 2 |
| E03-6 | 15010-Z010120-Q500 | DIPSTICK SUBASSEMBLY, OIL | 1 |
| E03-8 | 15030-Z010120-Q500 | PLUG SUBASSEMBLY, ENGINE OIL | 1 |
| E03-9 | 90001-0832-01 | BOLT | 6 |

ACCESS J 60/75

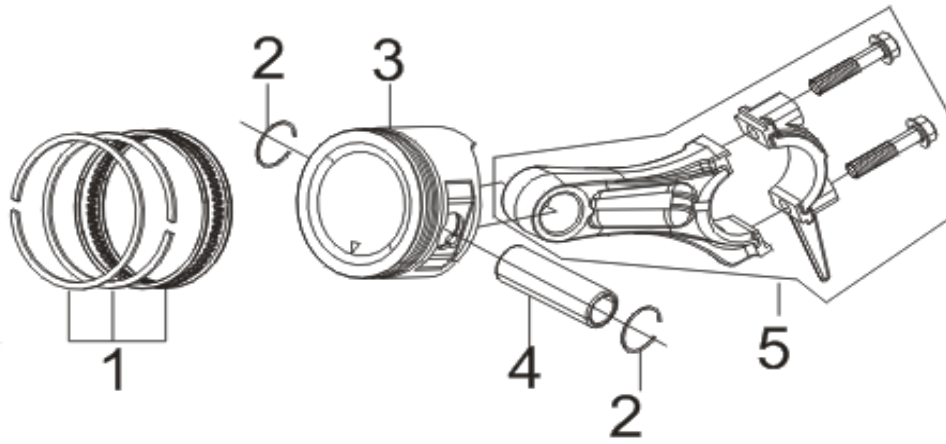
FIG.4 ROD,CRANKSHAFT CONNETING (E04)



| REF.NO. | PART NO | DESCRIPTION | Q'TY |
|---------|--------------------|------------------|------|
| E04-1 | 13300-Z140330-0000 | CRANKSHAFT ASSY. | 1 |

ACCESS J 60/75

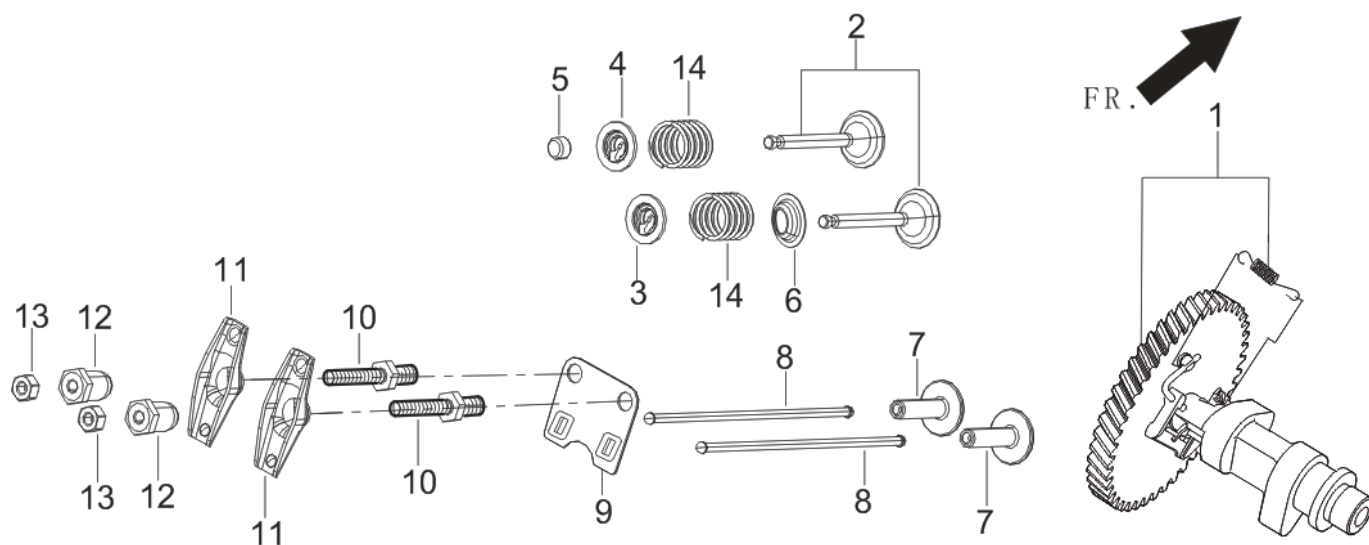
FIG.5 RING SET,OIL / ROD,CRANKSHAFT CONNETING E05)



| REF.NO. | PART NO | DESCRIPTION | Q'TY |
|---------|--------------------|------------------|------|
| E05-1 | 13200-Z140210-0099 | PISTON RINGS SET | 1 |
| E05-2 | 13122-Z010110-0000 | CLIP, PISTON PIN | 2 |
| E05-3 | 13111-Z140220-0099 | PISTON | 1 |
| E05-4 | 13121-Z010110-0000 | PIN, PISTON | 1 |
| E05-5 | 13010-Z440210-0099 | ROD, CONNECTING | 1 |

ACCESS J 60/75

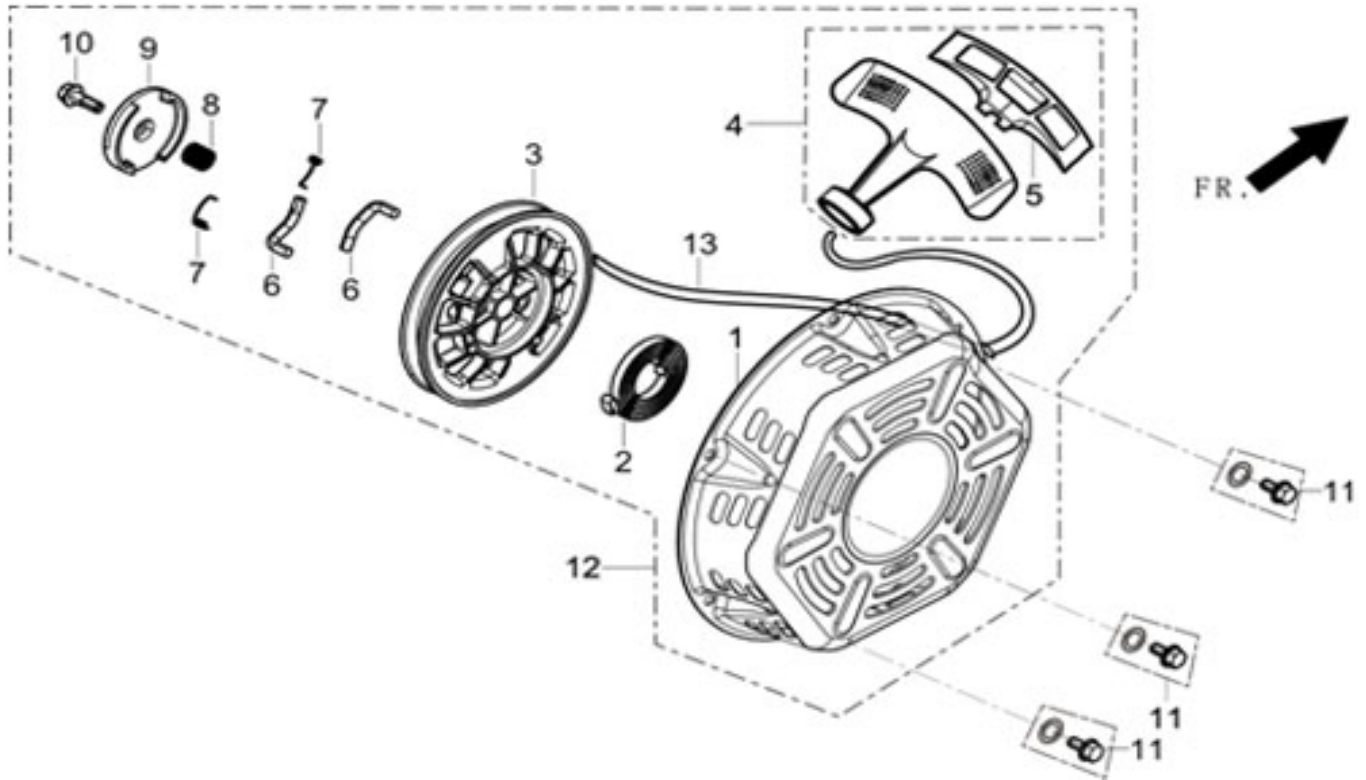
FIG.6 TRAIN,VALVE / CAMSHAFT SUBASSEMBLY (E06)



| REF.NO. | PART NO | DESCRIPTION | Q'TY |
|---------|--------------------|-----------------------------------|------|
| E06-1 | 14200-Z300210-0000 | CAMSHAFT ASSY. | 1 |
| E06-2 | 12110-Z010110-0000 | VALVES SET | 1 |
| E06-3 | 12112-Z010110-0000 | SEAT, VALVE SPRING | 1 |
| E06-4 | 12107-Z010110-0000 | RETAINER , EXHAUST VALVE | 1 |
| E06-5 | 12104-Z010110-0000 | ROTATOR, VALVE | 1 |
| E06-6 | 12101-Z010110-0000 | GUIDE, SEAL | 1 |
| E06-7 | 14081-Z040110-0000 | TAPPET, VALVE | 2 |
| E06-8 | 14071-Z010110-0000 | LIFTER, VALVE | 2 |
| E06-9 | 14090-Z010110-0000 | PLATE SUBASSEMBLY, LIFTER STOPPER | 1 |
| E06-10 | 14313-Z010110-0000 | BOLT, VALVE ADJUSTING | 2 |
| E06-11 | 14311-Z010110-0000 | ROCKER, VALVE | 2 |
| E06-12 | 14314-Z010110-0000 | NUT , VALVE ADJUSTING | 2 |
| E06-13 | 14312-Z010110-0000 | NUT, VALVE LOCK | 2 |
| E06-14 | 12103-Z010110-0000 | SPRING, VALVE | 2 |

ACCESS J 60/75

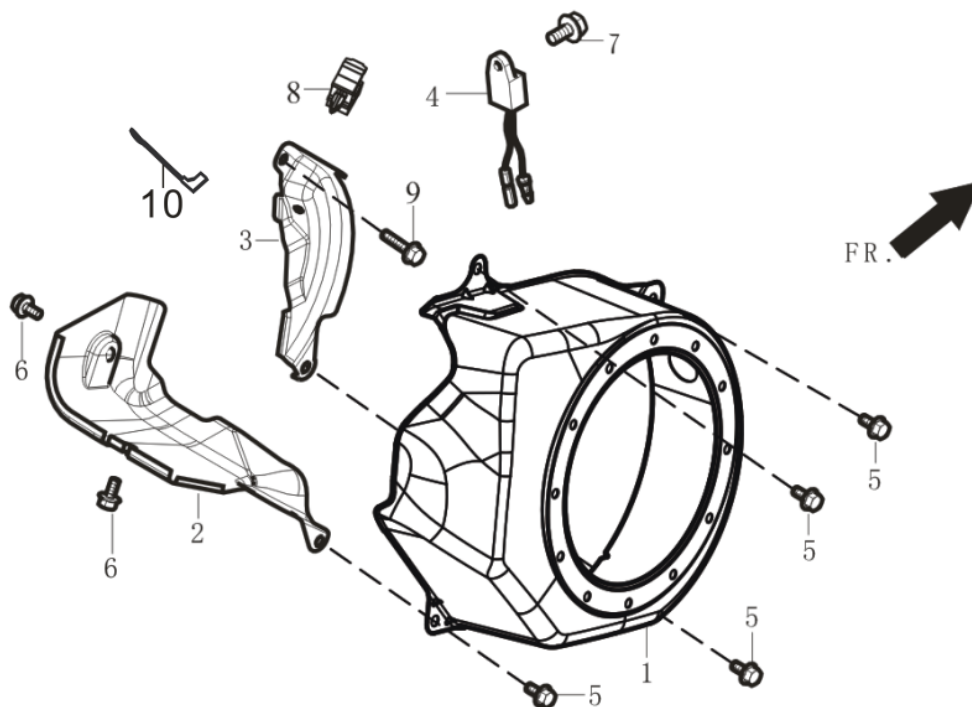
FIG.7 STARTER,RECOIL (E07)



| REF.NO. | PART NO | DESCRIPTION | Q'TY |
|---------|--------------------|----------------------|------|
| E07-11 | 90001-0608-01 | BOLT | 3 |
| E07-12 | 28200-Z300110-H700 | STARTER ASSY, RECOIL | 1 |

ACCESS J 60/75

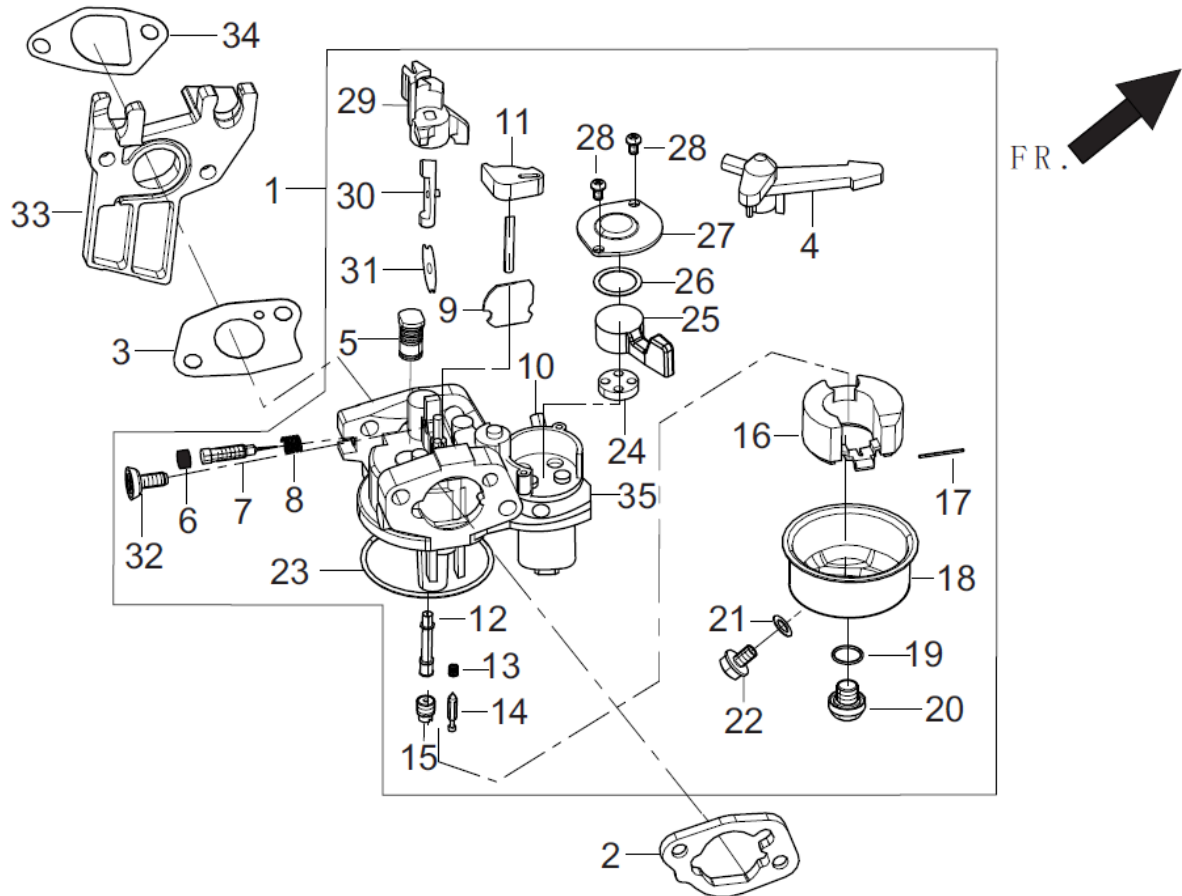
FIG.8 SHROUD / SHIELD,LOWER (E08)



| REF.NO. | PART NO | DESCRIPTION | Q'TY |
|---------|--------------------|-----------------------|------|
| E08-1 | 28110-Z010410-Y100 | SHROUD | 1 |
| E08-2 | 19304-Z010410-0000 | SHROUD, CYLINDER BODY | 1 |
| E08-3 | 19340-Z010510-0000 | SHIELD,LOWER | 1 |
| E08-4 | 37050-Z010210-0000 | PROTECTOR, OIL | 1 |
| E08-5 | 90001-0612-01 | BOLT | 4 |
| E08-6 | 90001-0610-01 | BOLT | 2 |
| E08-7 | 90001-0610-01 | BOLT | 1 |
| E08-8 | 90740-Z010110-0000 | COLLAR | 1 |
| E08-9 | 90001-0616-01 | BOLT | 1 |
| E08-10 | 30009-Z010110-0000 | | 1 |

ACCESS J 60/75

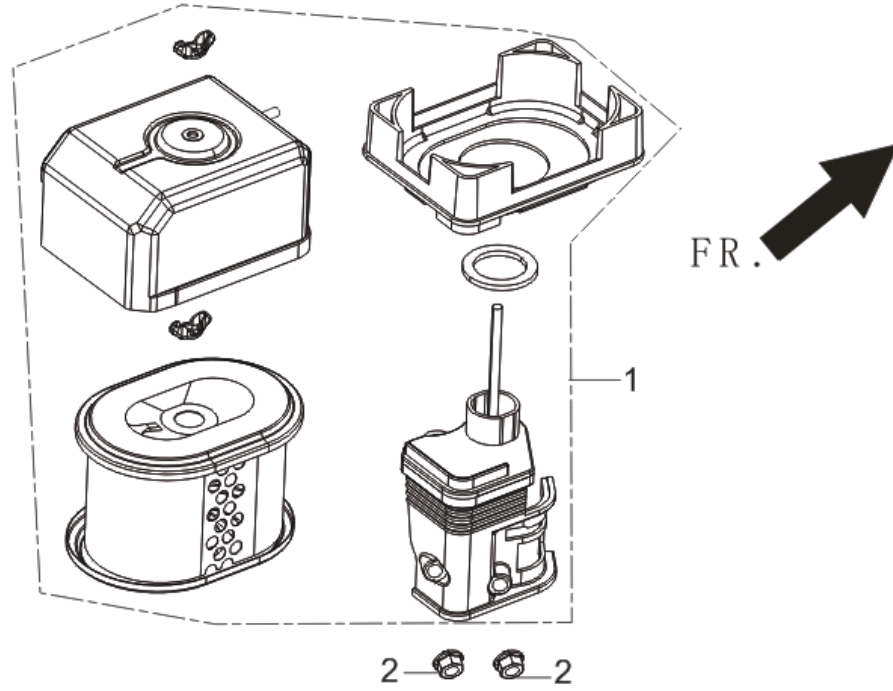
FIG.9 CARBURETOR ASSY. (E09)



| REF.NO. | PART NO | DESCRIPTION | Q'TY |
|---------|--------------------|------------------------------|------|
| E09-1 | 16100-Z040210-0000 | CARBURETOR ASSY. | 1 |
| E09-2 | 17001-Z010210-0000 | GASKET, AIR CLEANER | 1 |
| E09-3 | 16001-Z300110-0000 | GASKET, CARBURETOR | 1 |
| E09-33 | 16003-Z010110-0000 | PLATE, CARBURETOR INSULATOR | 1 |
| E09-34 | 16002-Z300110-0000 | GASKET, CARBURETOR INSULATOR | 1 |

ACCESS J 60/75

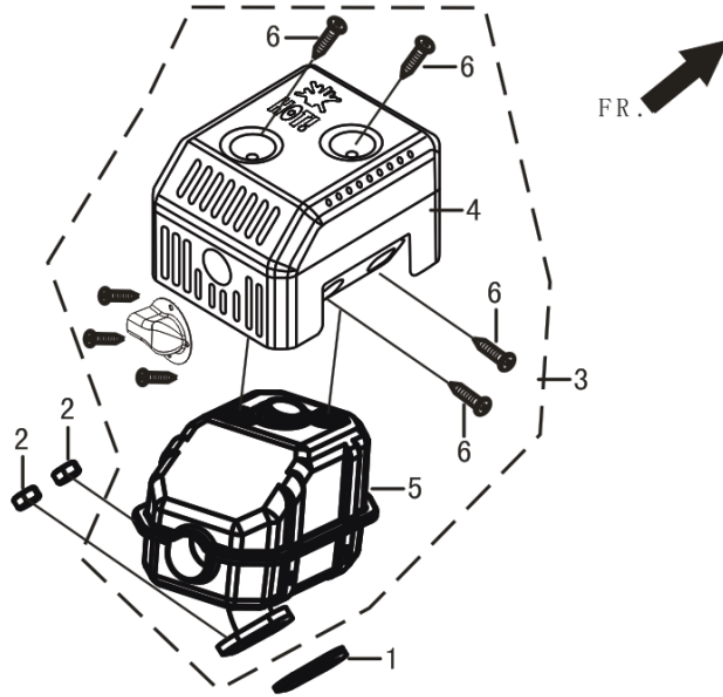
FIG.10 CLEANER, AIR (E10)



| REF.NO. | PART NO | DESCRIPTION | Q'TY |
|---------|--------------------|--------------|------|
| E10-1 | 17100-Z010210-0000 | CLEANER, AIR | 1 |
| E10-2 | 90305-0600-31 | NUT | 2 |

ACCESS J 60/75

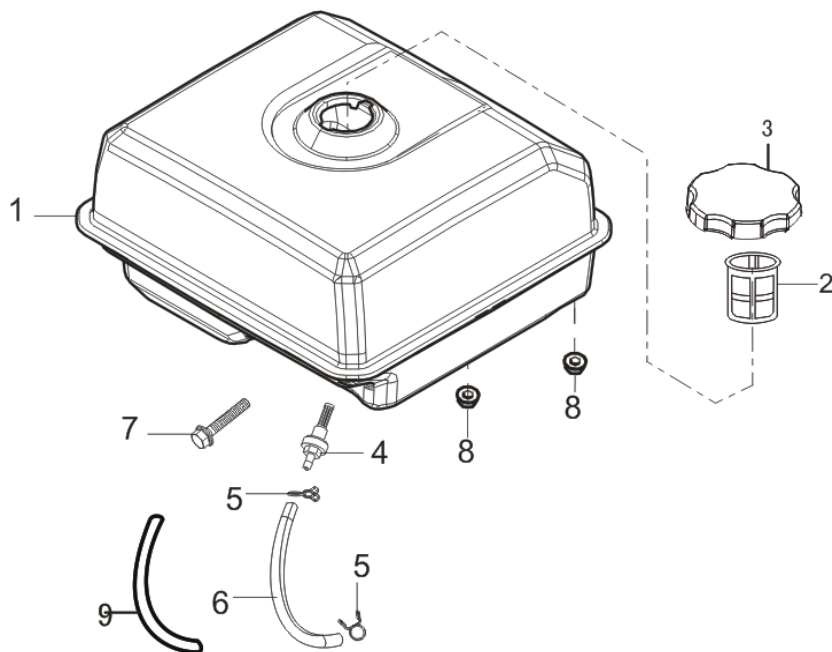
FIG.11 MUFFLER ASSY. (E11)



| REF.NO. | PART NO | DESCRIPTION | Q'TY |
|---------|--------------------|------------------------|------|
| E11-1 | 18001-Z300110-0000 | GASKET, EXHAUST OUTLET | 1 |
| E11-2 | 90303-0800-31 | NUT | 2 |
| E11-3 | 18100-Z010710-H300 | MUFFLER ASSY | 1 |

ACCESS J 60/75

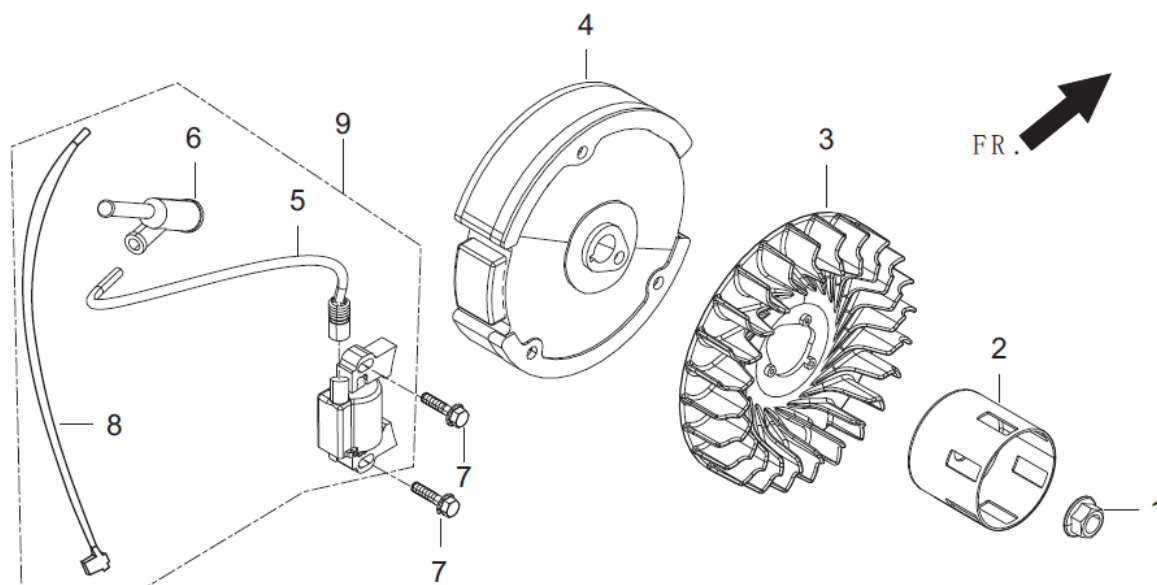
FIG.12 TANK ASSY, FUEL (E12)



| REF.NO. | PART NO | DESCRIPTION | Q'TY |
|---------|--------------------|-----------------------------------|------|
| E12-1 | 16620-Z440120-Y100 | TANK, FUEL | 1 |
| E12-2 | 16652-Z010610-0000 | STRAINER , FUEL | 1 |
| E12-3 | 16730-Z010610-0000 | COVER, FUEL TANK | 1 |
| E12-4 | 16680-Z010110-0000 | OUTLET SUBASSEMBLY, FUEL TANK OIL | 1 |
| E12-5 | 90740-Z010210-0000 | CLAMP | 2 |
| E12-6 | 90686-Z010510-0000 | TUBE, FUEL | 1 |
| E12-7 | 90007-0630-A1 | BOLT | 1 |
| E12-8 | 90305-0600-31 | NUT | 2 |
| E12-9 | 30431-Z010110-0000 | JACKET, RUBBER | 1 |

ACCESS J 60/75

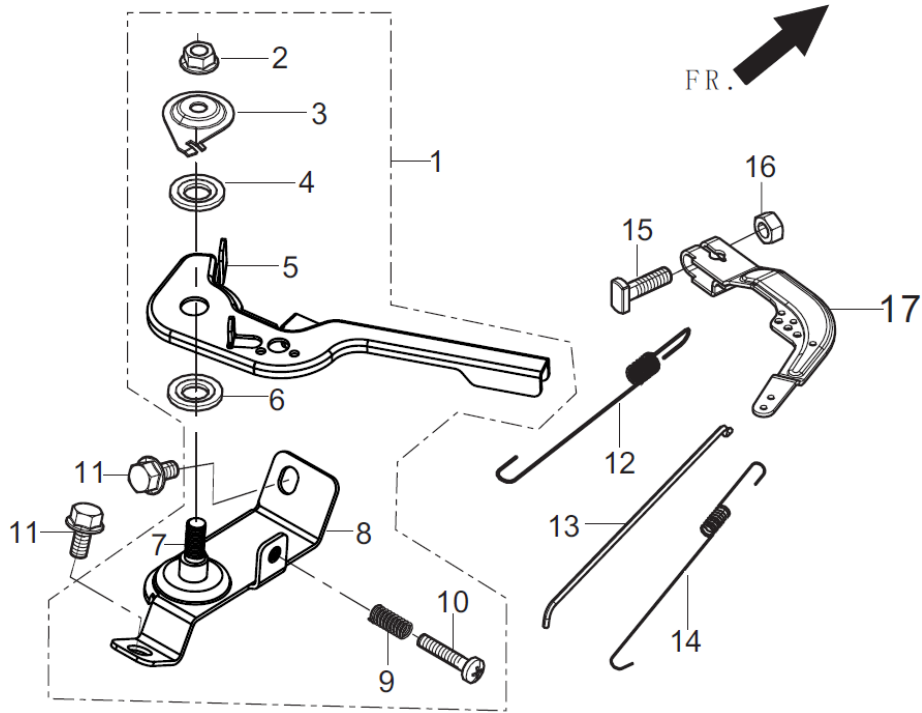
FIG.13 FLYWHEEL / IMPELLER / STARTER PULLEY / IGNITION COIL (E13)



| REF.NO. | PART NO | DESCRIPTION | Q'TY |
|---------|--------------------|----------------------|------|
| E13-1 | 13501-Z010110-0000 | NUT, FLYWHEEL | 1 |
| E13-2 | 28002-Z300110-0000 | PULLEY,STARTER | 1 |
| E13-3 | 19352-Z010310-0000 | IMPELLER | 1 |
| E13-4 | 13510-Z010110-0000 | FLYWHEEL SUBASSEMBLY | 1 |
| E13-7 | 90001-0625-01 | BOLT | 2 |
| E13-9 | 30400-Z010210-0000 | COIL, IGNITION | 1 |

ACCESS J 60/75

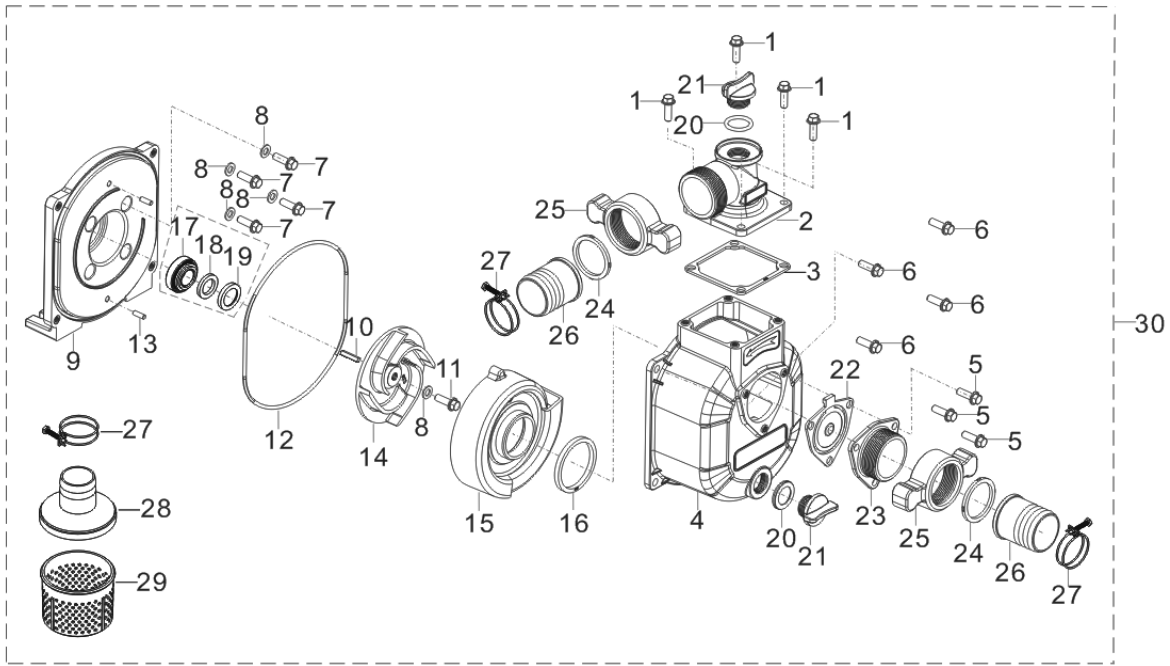
FIG.14 CONTROL ASSY, THROTTLE (E14)



| REF.NO. | PART NO | DESCRIPTION | Q'TY |
|---------|--------------------|----------------------------------|------|
| E14-1 | 16520-Z010230-0000 | CONTROL ASSY, THROTTLE | 1 |
| E14-11 | 90001-0610-01 | BOLT | 2 |
| E14-12 | 16063-Z010110-0000 | SPRING, GOVERNOR | 1 |
| E14-13 | 16062-Z010110-0000 | ROD, GOVERNEOR | 1 |
| E14-14 | 16012-Z010110-0000 | SPRING, THROTTLE VALVE RETURNING | 1 |
| E14-15 | 16072-Z010110-0000 | BOLT, GOVERNOR SUPPORT | 1 |
| E14-16 | 90305-0600-31 | NUT | 1 |
| E14-17 | 16070-Z010110-0000 | SUPPORT SUBASSEMBLY, GOVERNOR | 1 |

ACCESS J 60/75

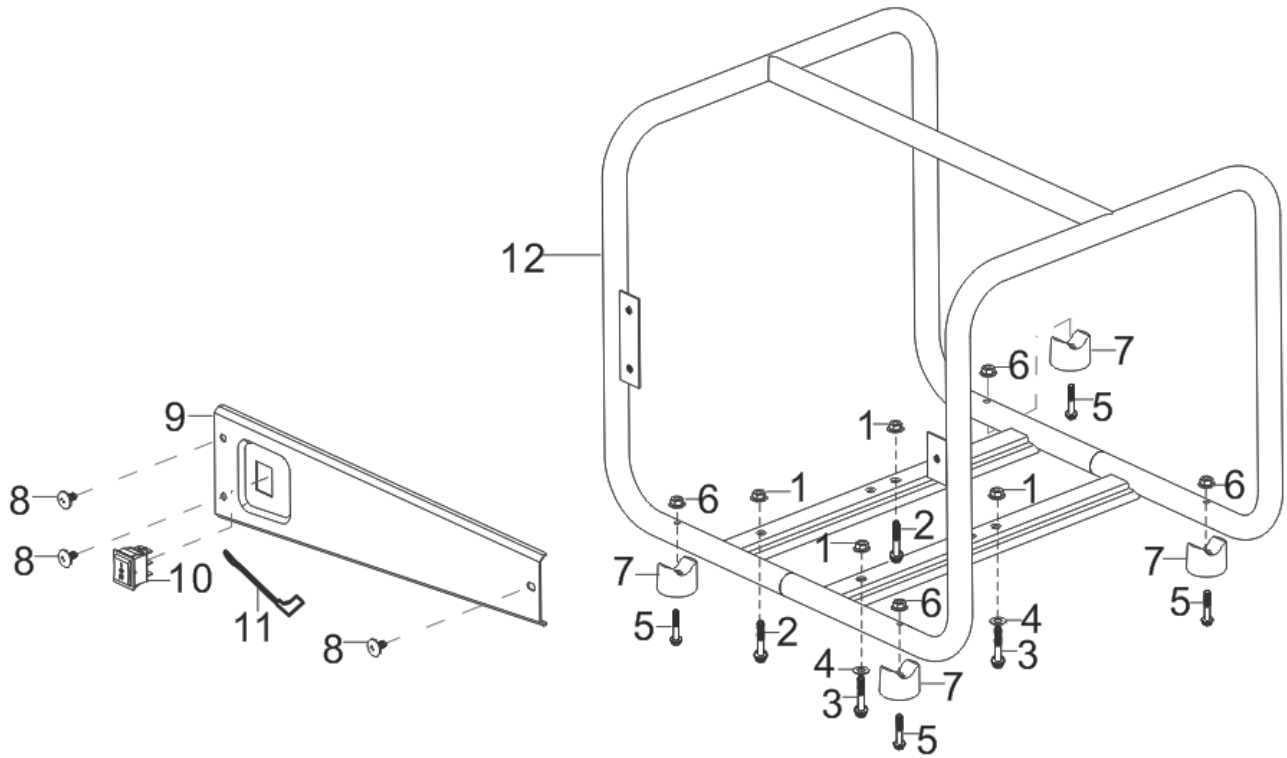
FIG.15 (E15)



| REF.NO. | PART NO | DESCRIPTION | Q'TY |
|---------|--------------------|---------------------------|------|
| E15-1 | 90001-1025-51 | BOLT | 4 |
| E15-2 | 70108-V340110-0000 | OUTLET , WATER | 1 |
| E15-3 | 70109-V340110-0000 | GASKET , OUTLET | 1 |
| E15-4 | 70105-V340110-0000 | PUMP BODY | 1 |
| E15-5 | 90001-1020-51 | BOLT | 3 |
| E15-6 | 90001-1030-01 | BOLT | 4 |
| E15-7 | 90001-V020110-0000 | BOLT | 4 |
| E15-8 | 90409-V260110-0000 | WASHER | 5 |
| E15-9 | 70118-V340110-0000 | JOINT, WATER PUMP | 1 |
| E15-10 | 90522-V010110-0000 | KEY | 1 |
| E15-11 | 90001-V070110-0000 | BOLT | 1 |
| E15-12 | 70119-V340110-0000 | CUSHION, WATER PUMP JOINT | 1 |
| E15-13 | 90505-0618-00 | PIN | 2 |
| E15-14 | 70102-V340110-0000 | IMPELLER, WATER PUMP | 1 |
| E15-15 | 70103-V340110-0000 | CASE, WHORL | 1 |
| E15-16 | 70104-V340110-0000 | RIGN , WHORL CASE SEALING | 1 |
| E15-17 | 70300-V260210-0000 | SEAL ASSY, MECHANISM | 1 |
| E15-18 | 70309-V260210-0000 | SEAL,PORCELAIN | 1 |
| E15-19 | 70125-V260210-0000 | WASHER | 1 |
| E15-20 | 70122-V260110-0000 | WASHER, SCREW PLUG | 2 |
| E15-21 | 70107-V330110-0000 | PLUG, THREAD | 2 |
| E15-22 | 70115-V340110-0000 | GASKET , INLET WATER | 1 |
| E15-23 | 70116-V340110-0000 | INLET, WATER | 1 |
| E15-24 | 70131-V340110-0000 | RING, HOSE JOINT SEAL | 2 |
| E15-25 | 70111-V340110-0000 | JOINT, HOSE | 2 |
| E15-26 | 70112-V270110-0000 | INTERFACE, HOSE | 2 |
| E15-27 | 70400-V270110-0000 | HOOP ASSY, HOSE | 3 |
| E15-28 | 70113-V270110-0000 | COVER, FILTER | 1 |
| E15-29 | 70114-V270110-0000 | FILTER | 1 |
| E15-30 | 70100-V340110-0K00 | PUMP ASSY, WATER | 1 |

ACCESS J 60/75

FIG.16 FRAME ASSY, ENGINE (E16)



| REF.NO. | PART NO | DESCRIPTION | Q'TY |
|---------|--------------------|-------------------------------------|------|
| E16-1 | 90327-0800-31 | NUT | 4 |
| E16-2 | 90001-0835-01 | BOLT | 2 |
| E16-3 | 90001-0825-01 | BOLT | 2 |
| E16-4 | 90406-0800-E1 | WASHER | 2 |
| E16-5 | 90001-0635-01 | BOLT | 4 |
| E16-6 | 90305-0600-31 | NUT | 4 |
| E16-7 | 51014HX090120-0000 | SEAT, ENGINE FRAME SHOCK ABSORPTION | 4 |
| E16-8 | 90111-Y460110-0000 | BOLT | 3 |
| E16-9 | 51025-V340110-H700 | DECORATIVE FRAME | 1 |
| E16-10 | 35160-Y450110-QG00 | SWITCH SUBASSEMBLY | 1 |
| E16-11 | 35541-V330110-0000 | WIRE, STOP ENGINE | 1 |
| E16-12 | 51100-V340210-H7L0 | FRAME ASSY, ENGINE | 1 |