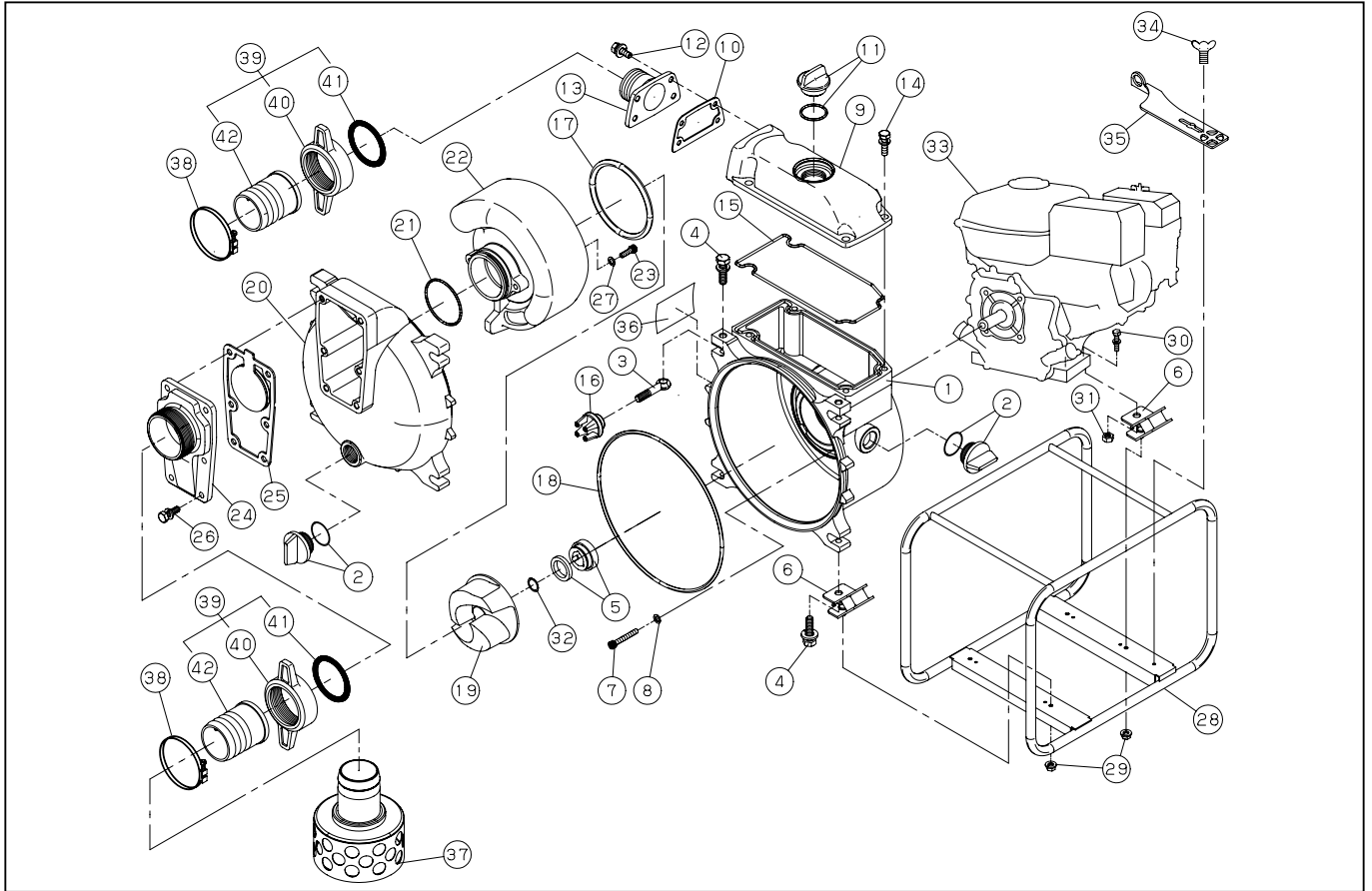


KTR-50X

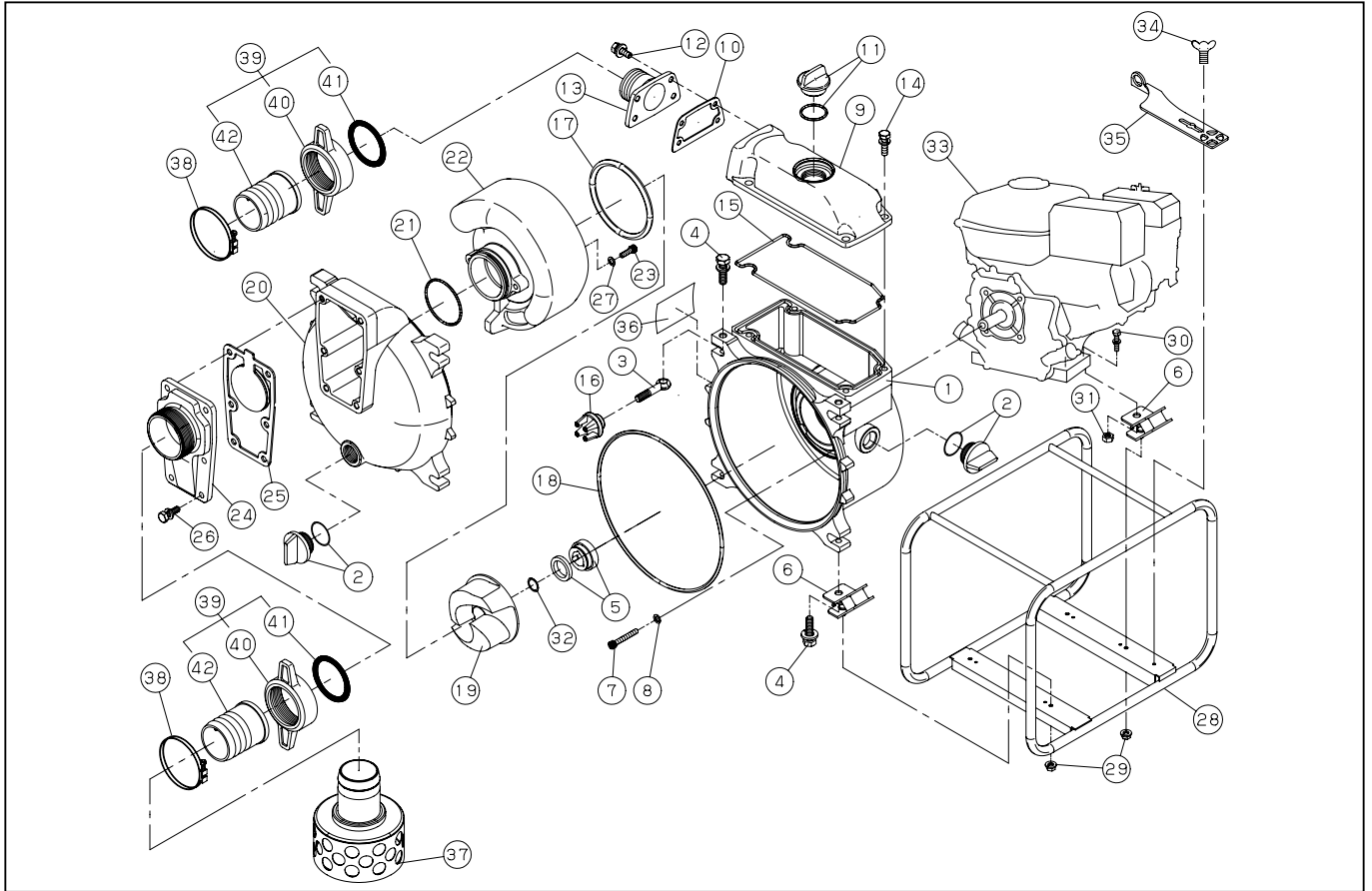


DWG No.012880203 MODEL:KTR-50X FORM:KTR-50X-BAE-0

No.	PARTS CODE	PARTS NAME	QTY	MATERIAL	SIZE	REMARKS
1	011544604	PUMP BODY	1	ADC		
2	011807901	25A PLUG SET	2			
3	011558001	COVER BOLT	4	S35C		
4	743119083	HEXAGON BOLT	4	SWRM	M12X45	
5	011515902	MECHANICAL SEAL	1	HJ-20(B)BSIC		
6	011617202	WT CUSHION RUBBER	4	CR		
7	011651701	SOCKET BOLT	4	SCM	M8X60	
8	011649302	WASHER	4	ALUMINIUM A1100 PH14	φ 8	
9	011544502	DELIVERY HOUSING	1	ADC		
10	011549001	DELIVERY FLANGE PACKING	1	CR		
11	011845001	32A PLUG SET	1			
12	743119046	HEXAGON BOLT	4	SWRM	M8X22	
13	011584001	DELIVERY FLANGE (PS)	1	ADC		
14	743119063	HEXAGON BOLT	4	SWRM	M10X30	
15	011554801	HEAD PACKING	1	NBR		
16	011559001	KNOB	4			
17	011557801	CASING PACKING	1	NBR		
18	011557901	FRONT COVER PACKING	1	NBR		
19	011544702	IMPELLER	1	HTFC		
20	011554501	FRONT COVER	1	ADC		
21	011567601	O-RING	1	NBR		
22	011548902	VOLUTE CASING	1	FCD		
23	734505066	HEXAGON SOCKET BOLT	2	SUS	M8X25	
24	011583901	SUCTION FLANGE	1	ADC		
25	011578001	CHECK VALVE PACKING	1	NBR		
26	743119061	HEXAGON BOLT	6	SWRM	M10X25	
27	854255008	SEAL WASHER	2		φ 8	
28	011781601	BASE SET	1			
29	842319008	SPRING NUT	4	SWRM	M8	
30	743119051	HEXAGON BOLT	2	SWRM	M8X35	

◆ Bare engine can not be supplied

KTR-50X



DWG No.012880203 MODEL:KTR-50X FORM:KTR-50X-BAE-0

No.	PARTS CODE	PARTS NAME	QTY	MATERIAL	SIZE	REMARKS
31	838719008	HEXAGON NUT	2		M8	
32	011049102	IMPELLER ADJUSTING WASHER	3	BSP		
33	011676001	ENGINE	1	Robin EX170D		
34	741305153	WING BOLT	1	SUS	M8X15	
35	011577802	TOOL	1	SPC		
36	011676301	NAME PLATE	1			
37	011097703	STRAINER	1	SPC	50M	
38	940407060	HOSE BAND	3		2 "	
39	011702602	COUPLING SET	2	ABS		
40	011339002	COUPLING	2	ABS		
41	011339101	COUPLING PACKING	2	NBR		
42	011035605	HOSE NIPPLE	2	ABS		
	011676201	PACKING CASE	1	K6W		
	011699502	OPERATION MANUAL (E)	1			

◆ Bare engine can not be supplied