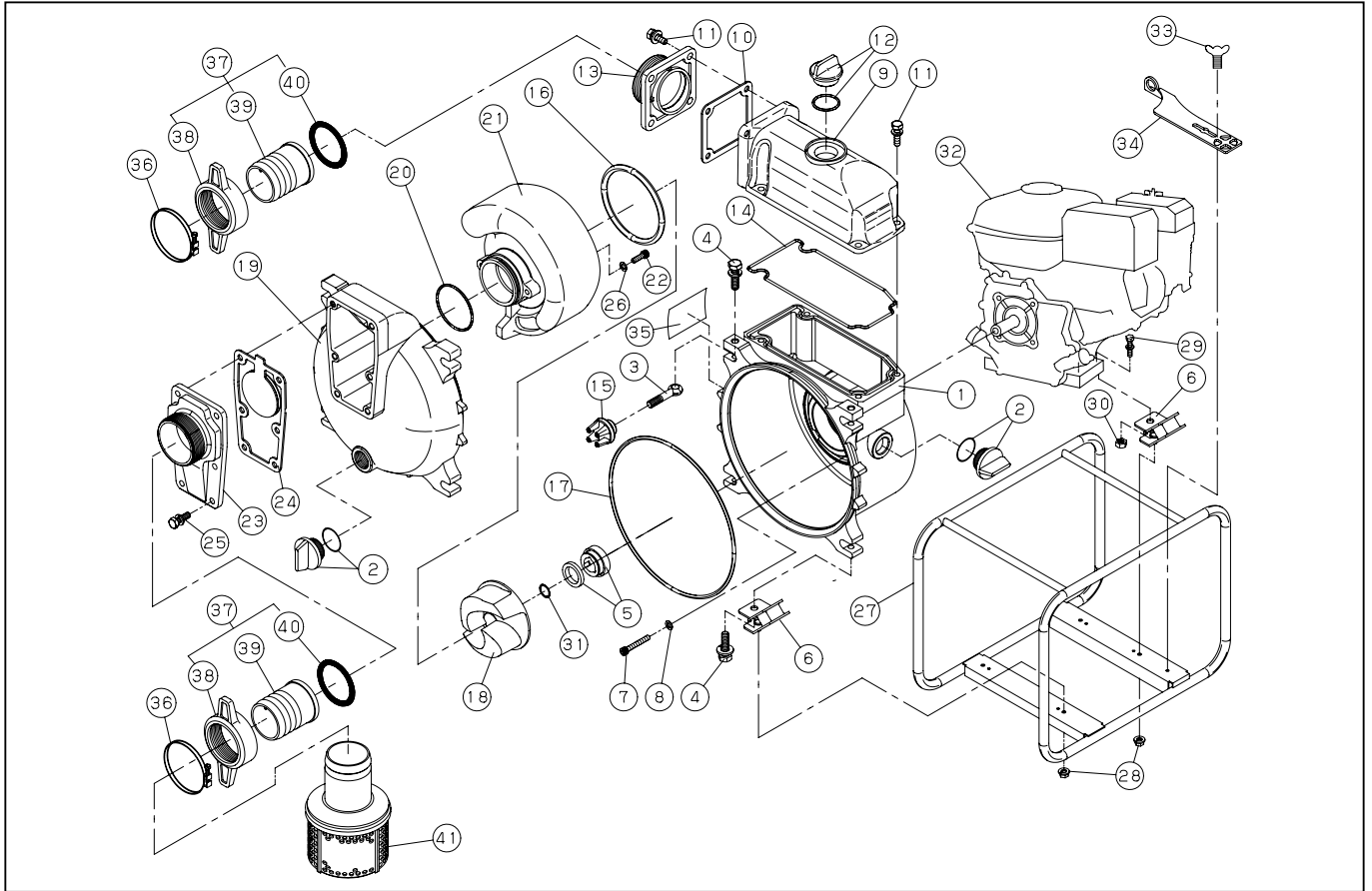


# KTR-80X

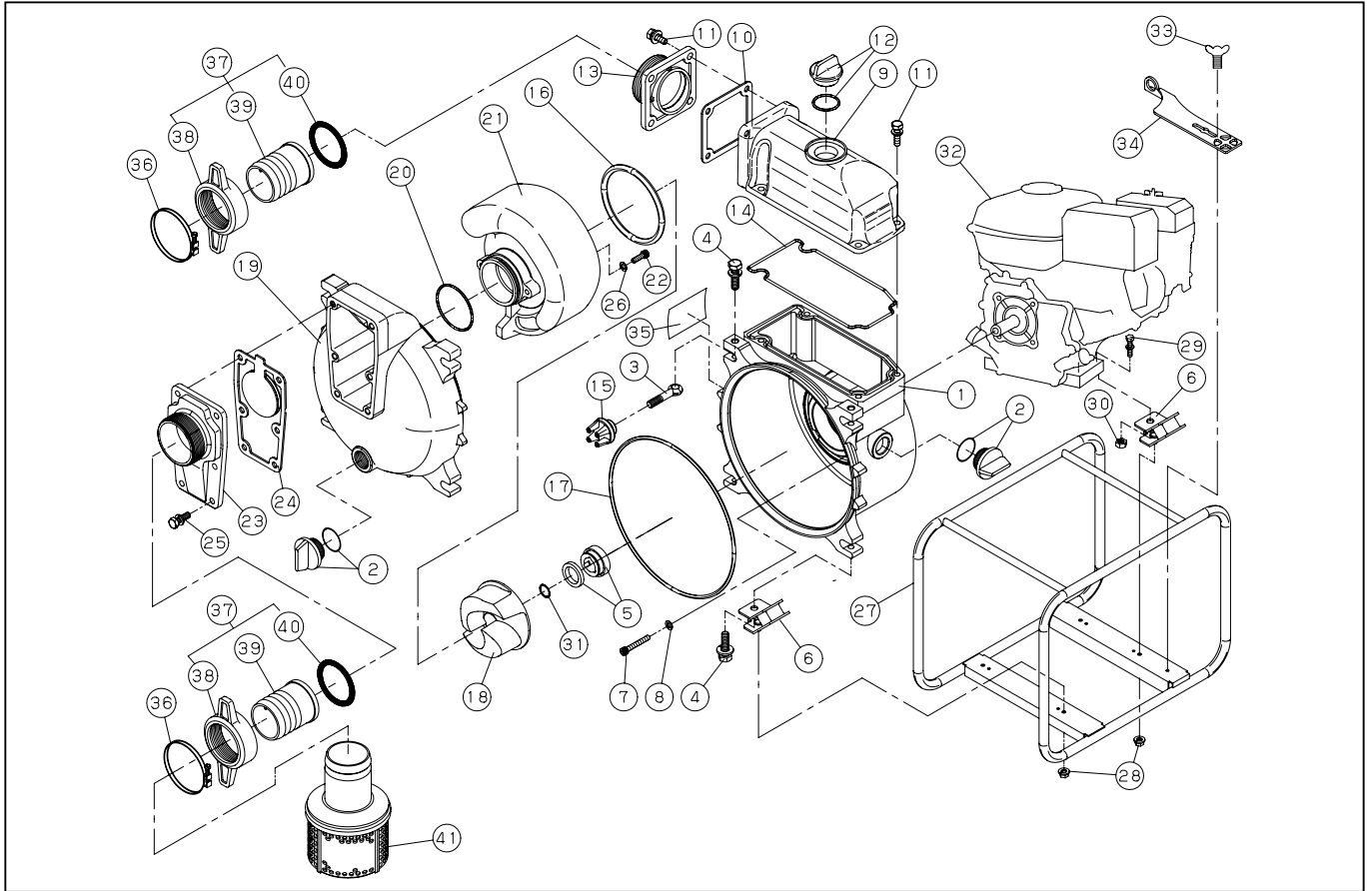


DWG No.012880302 MODEL:KTR-80X FORM:KTR-80X-BAE-0

No.	PARTS CODE	PARTS NAME	QTY	MATERIAL	SIZE	REMARKS
1	011554604	PUMP HOUSING	1	ADC		
2	011807901	25A PLUG SET	2			
3	011558001	COVER BOLT	4	S35C		
4	743119083	HEXAGON BOLT	4	SWRM	M12X45	
5	011567802	MECHANICAL SEAL	1	EH791-25 SICXSIC		
6	011617202	CUSHION RUBBER	4	CR		
7	011651601	SOCKET BOLT	4	SCM	M8X55	
8	011649302	WASHER	4	ALUMINIUM A1100 PH14	φ 8	
9	011554702	DELIVERY HOUSING	1	ADC		
10	011058402	DELIVERY FLANGE PACKING	1	CR		
11	743119063	HEXAGON BOLT	8	SWRM	M10X30	
12	011845001	32A PLUG SET	1			
13	011583801	DELIVERY FLANGE	1	ADC		
14	011554801	HEAD PACKING	1	NBR70°		
15	011559001	KNOB	4			
16	011557801	CASING PACKING	1	NBR		
17	011557901	FRONT COVER PACKING	1	NBR		
18	011555803	IMPELLER	1	HRFC		
19	011554501	FRONT COVER	1	ADC		
20	011567601	O-RING	1	NBR		
21	011555902	VOLUTE CASING	1	FCD		
22	734505066	HEXAGON SOCKET BOLT	2	SUS	M8X25	
23	011157302	SUCTION FLANGE	1	ADC		
24	011569201	CHECK VALVE PACKING	1	NBR		
25	743119061	HEXAGON BOLT	6	SWRM	M10X25	
26	854255008	SEAL WASHER	2		φ 8	
27	011781701	BASE SET	1			
28	842319008	SPRING NUT	4	SWRM	M8	
29	743119065	HEXAGON BOLT	2	SWRM	M10X35	
30	827419010	HEXAGON NUT	2	SWRM	M10	

◆ Bare engine can not be supplied

# KTR-80X



DWG No.012880302 MODEL:KTR-80X FORM:KTR-80X-BAE-0

No.	PARTS CODE	PARTS NAME	QTY	MATERIAL	SIZE	REMARKS
31	011008101	IMPELLER ADJUSTING WASHER	3		T0.3	
32	011676401	ENGINE	1	ROBIN EX270D		
33	741305153	WING BOLT	1	SUS	M8X15	
34	011576702	TOOL	1	SPC		
35	011676701	NAME PLATE	1			
36	940407090	HOSE BAND	3		3"	
37	011702802	COUPLING SET	2	ABS		
38	011437502	COUPLING	2	ABS		
39	011030105	HOSE NIPPLE	2	ABS		
40	011437801	COUPLING PACKING	2	NBR		
41	011097803	STRAINER	1	SPC		
	011676501	PACKING CASE	1			
	011699502	OPERATION MANUAL (E)	1			

◆ Bare engine can not be supplied