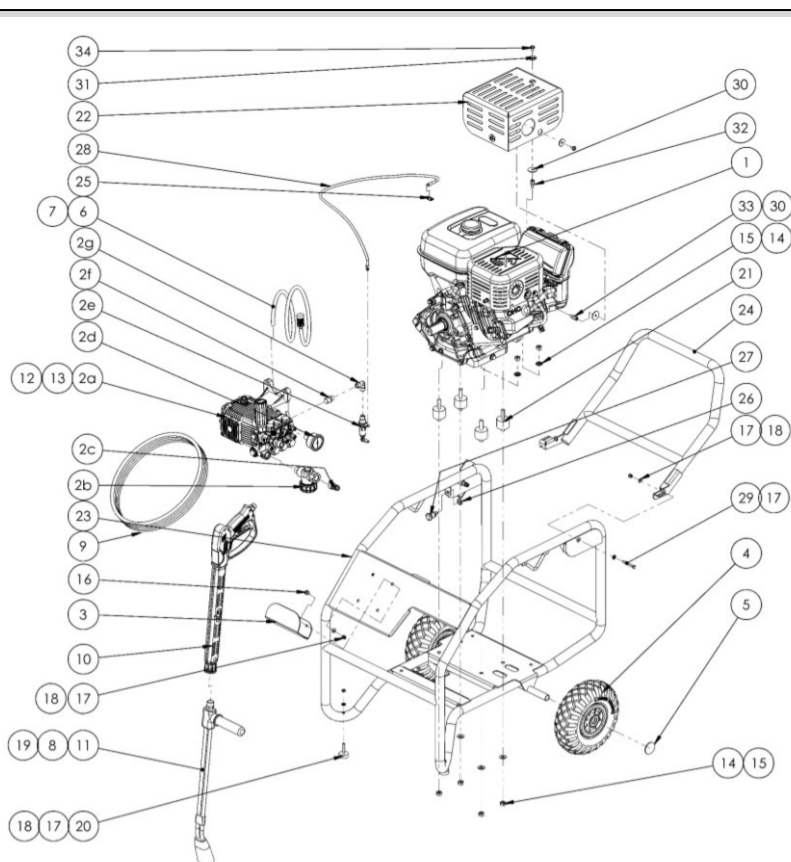


HPSTAR 300-15

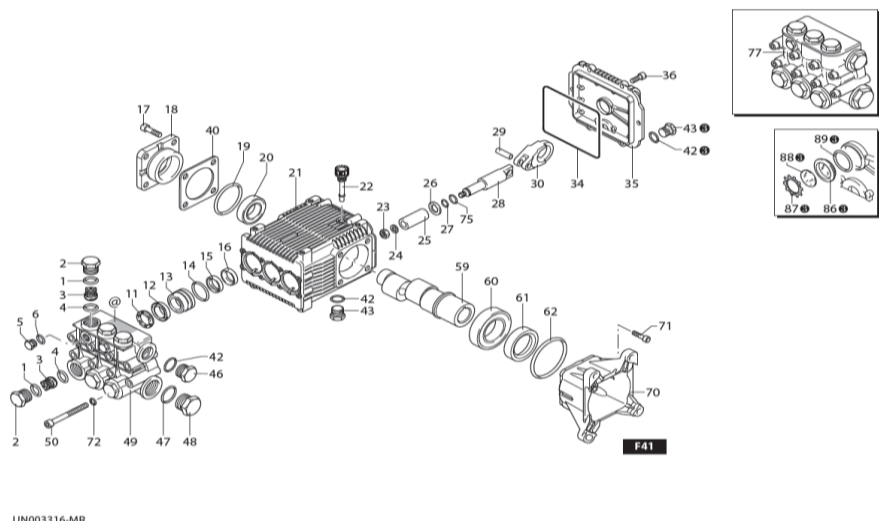
N°	Référence NAV	Désignation NAV	Quantité
1	EX400DM5020	EX400DUL.DUAL F/H,CAD.SH.DEF	1
2	HP300-15-KITPOMPE	KIT POMPE HPSTAR 300-15	1
3	HPSTAR100-200-300-01	PORTE FLEXIBLE	1
4	ZRED260I	ROUE DIAM 260 INCREVABLE	2
5	ZG0UP-D20	CALOTTE D20	2
6	ZUYAUPVC2	TUYAU PVC DN6	1
7	ZFILT-DETER-D6-8	FILTRE DETERGENT DIA6-8	1
8	ZBUSE-HP-04025	BUSE HP NPT M1/4 CERAMIC 04025	1
9	ZFLEX-2T-10M-400	FLEXIBLE 10M 2 T 400B M22X1,5F	1
10	ZPIST-EXT-22-MF-22	PISTOLET + RALLONGE 350BAR	1
11	ZLANCE-D-F22-280	LANCE DOUBLE 280BAR	1
12	ZVISCHC3/8X32 I	VIS CHC 3/8 *32 UNC INOX	4
13	ZGROWERM10 I	RONDELLE GROWER M10 INOX	4
14	ZECROUM10 I	ECROU HU M10 INOX	8
15	ZPLATEM10M I	RONDELLE MOYENNE M10 INOX	8
16	ZVISBHC6M6X16	VIS BHC M6*16 EMBASE INOX	2
17	ZCONTACTM6I	RONDELLE MOYENNE M6 INOX	8
18	ZECROUBAGM6I	ECROU BAG NYLON M6 INOX	6
19	ZBUSE-BP-5040	BUSE BP NPT M1/4 5040	1
20	ZPLOT-CAOU-M6-D30	PLOT CAOUTCHOUC M6 D30 L38 H11	2
21	MER-900056	PLOT A 4030 M10 15 X 35	4
22	ZGRILLECHAP-04	GRILLE DE POT EX40 DUL	1
23	HPSTAR300-010	CHASSIS	1
24	HPSTAR300-020	BRANCARD	1
25	HP220S-210-V1	ARRET GAINE	1
26	ZECROUBASM10-PF	ECROU BAS M10 X1,0 PAS FIN	1
27	ZPION-INDEXAGE	PION INDEXAGE	1
28	ZCABL-ACC-1	CABLE ACCELERATEUR NHP 1	1
29	ZVISCHCM6X50	VIS CHC M6 X 50 BOMBEE INOX	2
30	ZPLATEM6L	RONDELLE TRES LARGE M6 DIA30	3
31	ZPLATEM6L	RONDELLE LARGE M6 DIA25	3
32	ZENTRET-MF-M6-L15	ENTRETOISE MF M6 L15	2
33	ZENTRET-MF-M6-L20	ENTRETOISE MF M6 L20	1
34	ZVISTTEM6X12	VIS TORX M6*12 ZBJ A EMBASE	3
2	HP300-15-KITPOMPE	KIT POMPE HPSTAR 300-15	
2-a	RKV-4G40-H-N-DX	POMPE RADIALE 300-15	1
2-b	ZFILT-1/2-FM-1/2	FILTRE EAU NHP MF G1/2	1
2-c	ZRACC-JARD-M1/2	RACCORD A BILLE MALE G1/2	1
2-d	ZMANDO-D50-AR-400	MANOMETRE D50 G1/4 AR 0-400	1
2-e	Z9.0130.00	CONTROLEUR ACCELERATEUR NHP	1
2-f	ZADAPT-1/4-MM-3/8	ADAPTATEUR MG1/4-MG3/8	1
2-g	ZADAPT-1/4-FF-1/4-90	ADAPTATEUR FBSP1/4-90°	1



RKV-4G40-H-N-DX

N°	REF. ANNOVI	DESCRIPTION	QUANTITE
1	960160	OR 17,86x2,62(RIF.123)	6
2	960850	TAPPO VALVOLA INOX	6
3	889052	VALVOLA COMPLETA SERIE 138	6
4	880830	OR 15,54x2,62 75 SH(RIF.3062)	6
5	1380690	TAPPO 1/4" G NICHELATO	2
6	820510	OR 10,82x1,78(RIF.2043)	2
11	960110	ANELLO APPOGGIO GUARNIZIONE D.18x32	3
12	1382740	GUARNIZIONE DM 32x18x7/4,5 PARK VEDI DIS.	3
13	1380090	GUIDA PISTONE D. 18	3
14	961240	OR 31,47x1,78(RIF.2125)	3
15	880330	GUARNIZIONE C1 18x26x5,5 (HNBR)	3
16	1383130	ANELLO DI TENUTA TC4 20x28x6	3
17	850370	VITE TCEI M8x16 UNI 5931 Z/B	4
18	1380050	SUPPORTO CUSCINETTO CHIUSO	1
19	640030	OR 59,99x2,62(RIF.3237)	1
20	2280340	CUSCINETTO 20x52x16,25 30304 D.Q.	1
21	1382770	CORPO POMPA	1
22	880130	TAPPO OLIO A.R. 88/13 L.60mm CON OR E SACCHETTO CON CERNIER	1
23	962010	DADO TENUTA PISTONE	3
24	962000	RONDELLA 8,1x17x1 RAME RICOTTO	3
25	1380940	PISTONE De18xDI11x40 CERAMICO(BIANCO)	3
26	1380950	DISCO SEPARATORE	3
27	600180	OR 7,66x1,78(RIF.2031)	3
28	1380920	PISTONE DI GUIDA	3
29	1380060	SPINOTTO DE10X25	3
30	1383020	BIELLA INTEGRALE(BRONZO)	3
34	1780510	OR 106x3 NBR 70 SHORE	1
35	1789010	PREM.COPERCHIO POSTERIORE 1780810 COMPLETO	1
36	1343510	VITE TCEI M6x14 UNI 5931 Z/B	6
40	1380120	SPESSORE 0,1mm	1/3
	1380130	SPESSORE 0,19mm	1/3
	1380530	SPESSORE 0,25mm	1/3
	1382810	SPESSORE 0,05mm	1/3
42	740290	OR 14x1,78(RIF.2056)	3
43	1980740	TAPPO 3/8" GAS(OTTONE)	2
46	1981180	TAPPO 3/8" GAS NICHELATO	1
47	180101	OR 17,5x2	1
48	960870	TAPPO 1/2" GAS NICHELATO	1
49	2281590	TESTA POMPA NICHELATA(250 BAR)2 FORI	1
50	820150	VITE TCEI M8x70 UNI 5931 Z/B	8
59	2280130	ALBERO ECCENTRICO CAVO	1
60	1383150	CUSCINETTO 40x68x19 32008 D.Q.	1
61	621170	ANELLO TENUTA 40x55x7 BA	1
62	1380220	OR 72,75x1,78(RIF.2287)	1
70	2281510	FLANGIA MOTORE SCOPPIO ALB.D.1" F41	1
71	180030	VITE TCEI M8x20 UNI 5931 Z/B	4
72	1381850	RONDELLA SCHNORR D.8,4 Z/B +DEIDROGENAZIONE	8
73	820440	GRANO M6x6 UNI 5923 Z/B	1
75	1080401	ANELLO ANTIEST.IN TEFLON	3
77	2289221	PREM.TESTA 2281590 D.18 DX NICHEL.T.V.INOX(889052)	1
86	1260250	LIVELLO OLIO	1
87	1260430	ANELLO ELASTICO ZI 25	1
88	1780690	DISCO DI CONTRASTO	1
89	1140450	OR 20,24x2,62(RIF.3081)	1
90	820440	GRANO M6x6 UNI 5923 Z/B	1

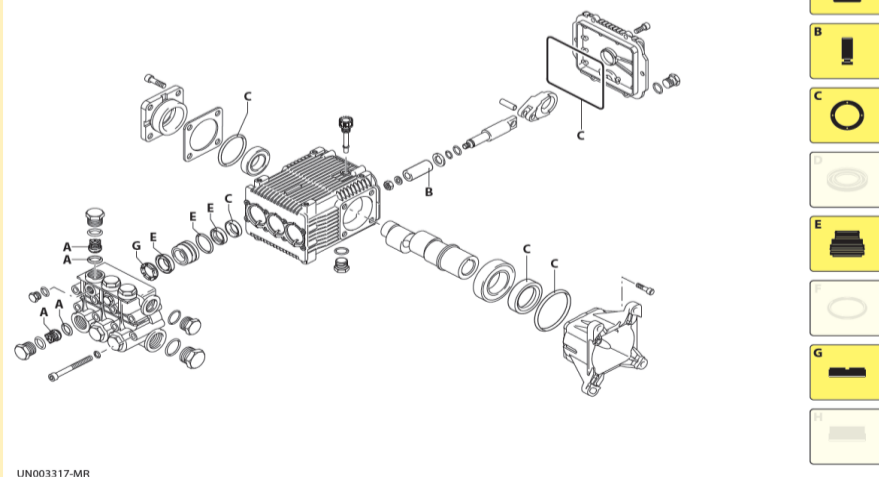
RKV D 3400rpm ø 1"



PART KIT

KIT A			
3	1828	valves	6
4			6
KIT B			
25	2757	pistons Ø18	3
KIT C			
16			3
19			1
34	1856	oil seals	1
61			1
62			1
KIT E			
12			3
14	1857	water seals Ø18	3
15			3
KIT G			
11	1829	support rings Ø18	3

KIT RICAMBI / PART KITS



- A
- B
- C
- D
- E
- F
- G