



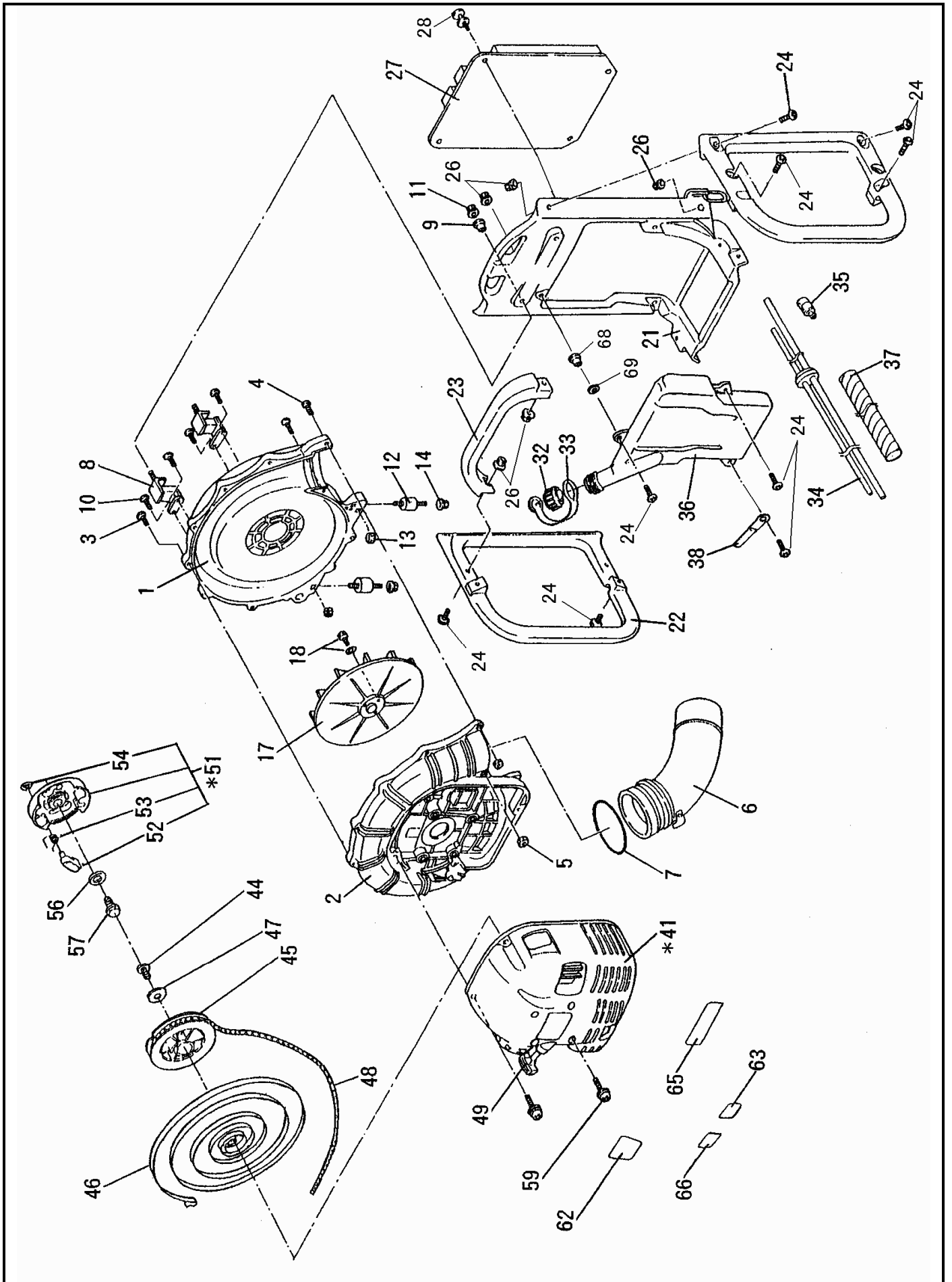
# PARTS CATALOG

Model FL500  
(CE, U.S. SPEC)

MACHINE BODY,  
CONTROL LEVER,  
ENGINE BODY,  
CARBURETOR,  
ACCESSORIES,

MACHINE BODY

# FL500 PARTS LIST



MACHINE BODY

FUJIROBIN INDUSTRIES LTD.

## FL500 PARTS LIST

KEY NO.	PARTS NO.	Q'TY		DESCRIPTION
		CE SPEC.	U.S. SPEC.	
1	6621500201	1	1	Case 1 volute
2	6621004003	1	1	Case 2 volute compl.
3	0150059870	10	10	Tapping screw M5x25
4	0043605250	2	2	Screw assy M5x25 W SW
5	0021705000	2	2	Nut M5
6	6621006001	1	1	Elbow compl.
7	0062630850	1	1	O-ring
8	6621005000	2	2	Bracket compl.
9	6621500900	2	2	Spacer
10	0150059910	4	4	Tapping screw M5x10
11	0023705000	2	2	Flange nut M5
12	6621500401	2	2	Damper
13	0021706000	2	2	Nut M6x5
14	0023706000	2	2	Flange nut M6
17	6821500201	1	1	Impeller
18	0011306250	3	3	Bolt assy M6x25 SW
21	6622008001	1	1	Frame compl.
22	6622500600	2	2	Side frame
23	6622500701	1	1	Knob
24	0140059430	11	11	Screw pan head M5x20
26	0023705000	11	11	Flange nut M5
27	6622010001	1	1	Cushion compl.
28	6822500200	4	4	Rivet lock
32	5256059000	1	1	Cap fuel tank
33	6255021002	1	1	Strap unit
34	6623003001	1	1	Tube
35	5236503900	1	1	Filter
36	6623005000	1	1	Tank fuel
37	8558502200	1	1	Tube spiral
38	8558501100	1	1	Clip
*41	6628004000	1	1	Cover engine compl. incl.44to49,51

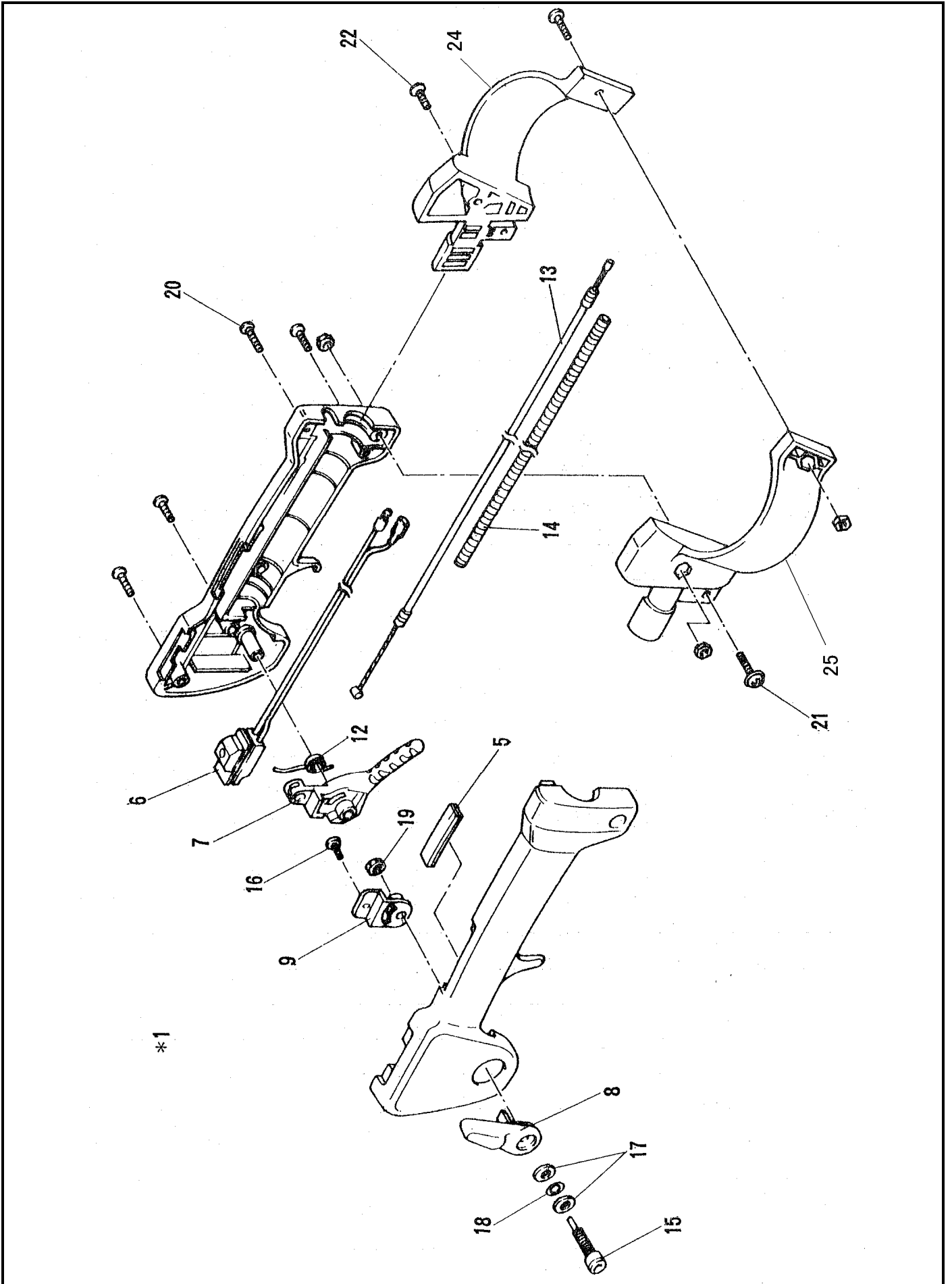
**MACHINE BODY**

### FL500 PARTS LIST

KEY NO.	PARTS NO.	Q'TY		DESCRIPTION
		CE SPEC.	U.S. SPEC.	
44	5105015110	1	1	Set screw M5x12
45	5415003010	1	1	Reel
46	5415003020	1	1	Spiral spring
47	5415003030	1	1	Washer
48	5415001140	1	1	Starter tope
49	5305002110	1	1	Starter knob
*51	5415011000	1	1	Pulley compl. incl.52to54
52	5415011010	1	1	Ratchet
53	5415011020	1	1	Return spring
54	5215003040	1	1	E-clip
56	0200069920	1	1	Washer M6
57	0011306160	1	1	Bolt assy M6x16 SW
59	0043606200	8	8	Screw assy M6x20 W SW
62	6629506300	1	1	Label model
63	6169505801	1	-	Label mark CE SPEC.
65	6609508600	1	-	Label caution CE SPEC.
66	6629506800	-	1	Label sound level U.S. SPEC.
68	6621500900	3	3	Spacer
69	6623500400	3	3	Gasket

CONTROL LEVER

# FL500 PARTS LIST



\*1

CONTROL LEVER

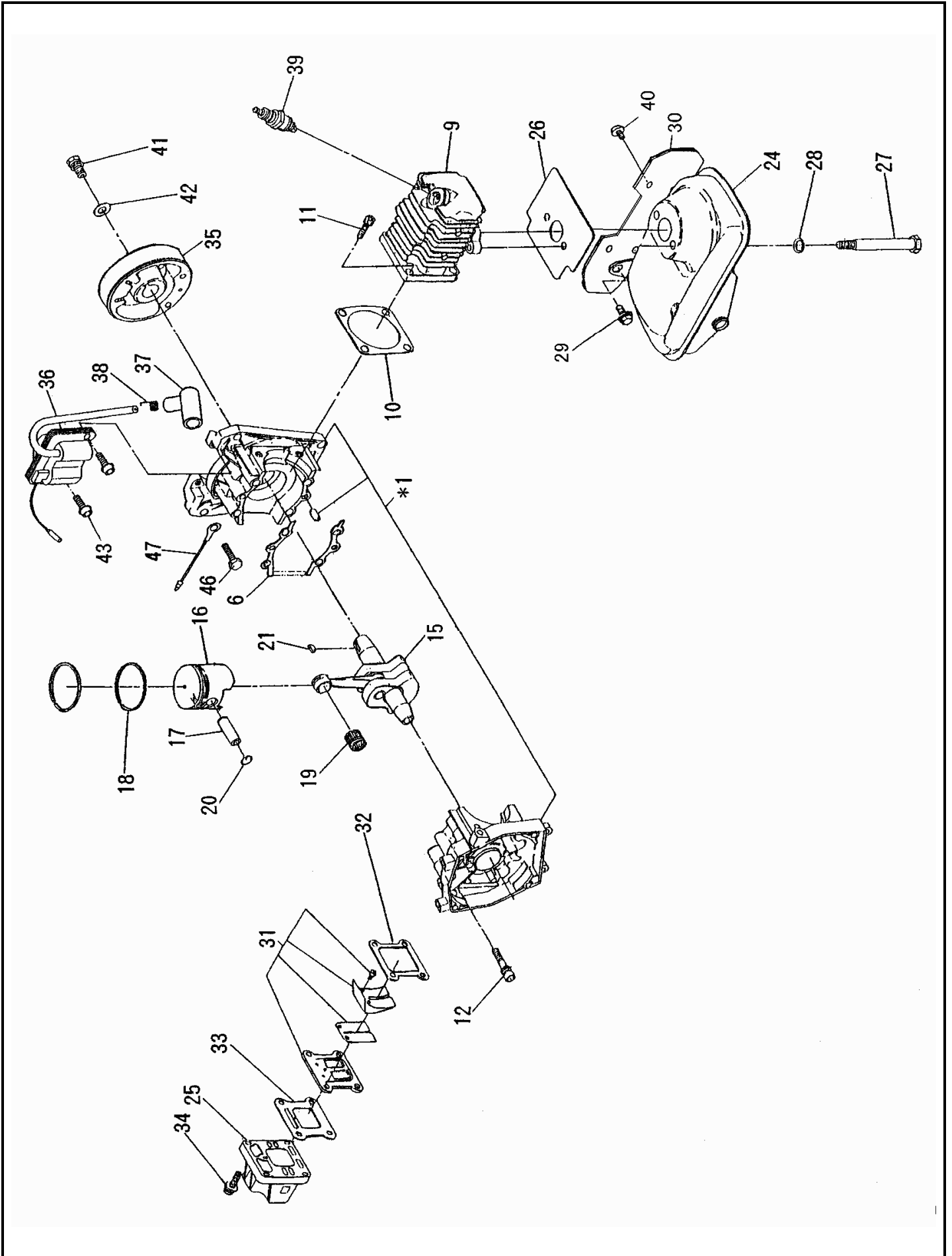
FUJIRBIN INDUSTRIES LTD.

### FL500 PARTS LIST

KEY NO.	PARTS NO.	Q'TY	DESCRIPTION	
*1	6625001002	1	CONTROL LEVER ASSY INCL.5to25	
5	6625500500	1	CASE COVER	
6	6625003001	1	SWITCH COMPL.	
7	6625500601	1	LEVER 1 THROTTLE	
8	6625500701	1	LEVER 2 THROTTLE	
9	6625004000	1	PLATE COMPL.	
12	6625500901	1	TORSION SPRING	
13	0630139901	1	CONTROL CABLE	
14	6625501001	1	TUBE CABLE	
15	6625501700	1	SOCKET HEAD BOLT M6x30	
16	0150049970	1	TAPPING SCREW M4x6	
17	0031106000	2	WASHER M6	
18	0032206000	1	WAVE WASHER M6	
19	0022706000	1	NUT M6	
20	0150049940	4	TAPPING SCREW M4x16	
21	0043605250	1	SCREW ASSY M5x25 W SW	
22	0043105200	2	SCREW PAN HEAD M5x20	
24	6625500802	1	HOLDER 1 HANDLE	
25	6625005002	1	HOLDER 2 HANDLE COMPL.	

ENGINE BODY

# FL500 PARTS LIST



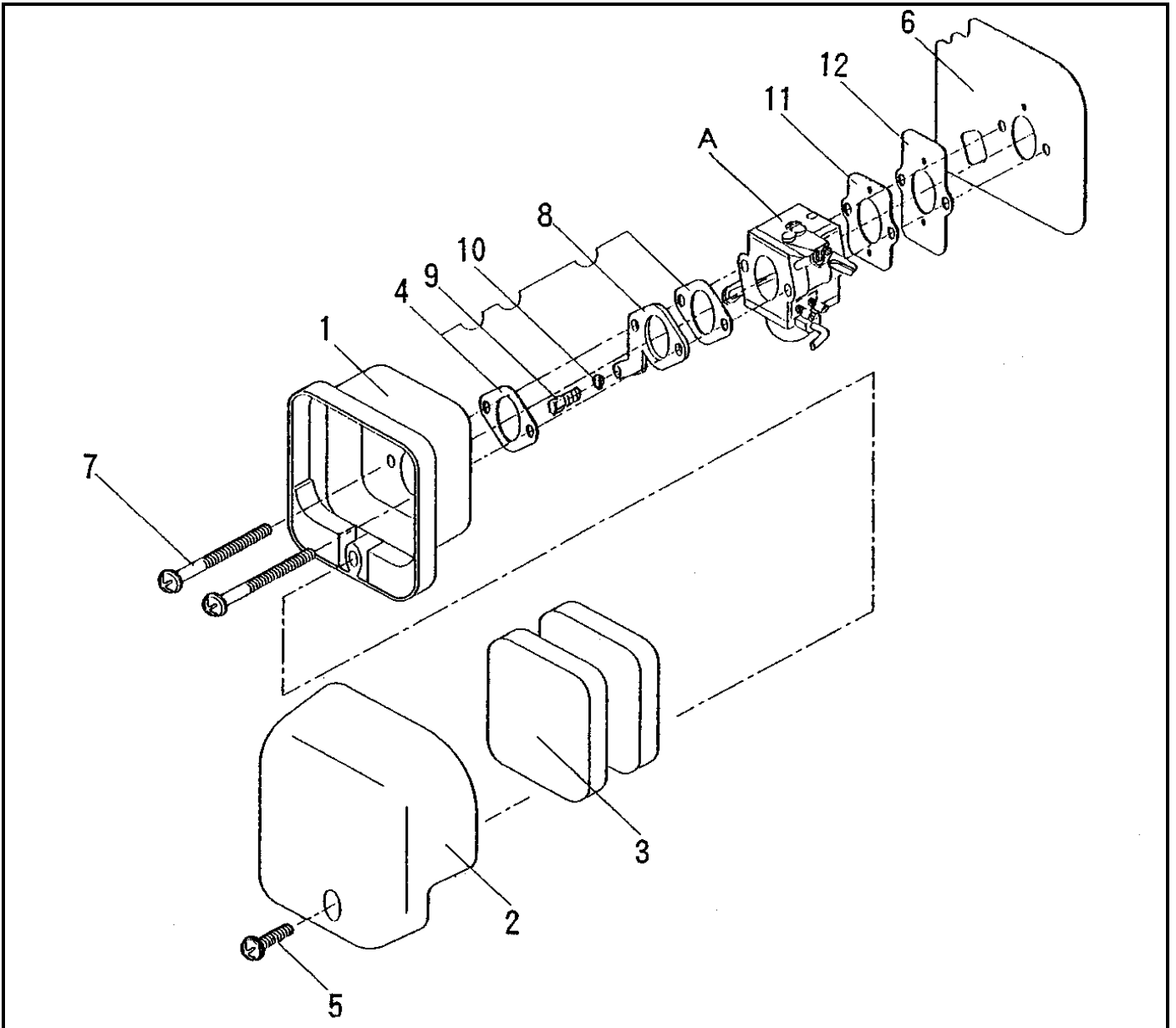
## FL500 PARTS LIST

### ENGINE BODY

KEY NO.	PARTS NO.	Q'TY		DESCRIPTION	
		CE SPEC.	U.S. SPEC.		
1	5411007001	1	1	Crank case compl. incl.6	
6	5411501200	1	1	Gasket crank case	
9	5411501800	1	1	Cylinder	
10	5411500501	1	1	Gasket cylinder	
11	0119069990	4	4	Socket head bolt M6x18	
12	0119059940	4	4	Socket head bolt M5x30 SW	
15	5412024000	1	1	Crankshaft compl.	
16	5412500700	1	1	Piston	
17	5602501100	1	1	Pin piston	
18	5602500900	2	2	Ring piston	
19	0610129950	1	1	Needle roller bearing	
20	0565119990	2	2	Clip	
21	0053203101	1	1	Woodruff key	
24	5413045003	1	1	Muffler exhaust	
25	5413046002	1	1	Insulator compl.	
26	5413501700	1	1	Gasket muffler	
27	5413502001	2	2	Bolt muffler M6x13	
28	0200099990	2	2	Washer M6	
29	0011506160	1	1	Bolt assy M16x16 W SW	
30	5413506001	1	1	Protector tank	
31	5413036000	1	1	Valve lead assy	
32	5413502800	1	1	Gasket lead valve	
33	5403500600	1	1	Gasket insulator	
34	0119059630	4	4	Socket head bolt M5x20	
35	5417021010	1	1	Flywheel	
36	5417024021	1	1	Coil	
37	0655009940	1	1	Cap plug	
38	0654009931	1	1	Spring plug cap	
39	0650149661	1	-	Plug spark	
39	0650149710	-	1	Plug spark	
40	0140059920	4	4	Screw	
41	0011308160	1	1	Bolt assy M8x16 SW	
42	0031108000	1	1	Washer M8	
43	0119059790	2	2	Socket head bolt M5x22 W	
46	0011306250	4	4	Bolt assy M6x25 SW	
47	6628003000	1	1	Wire compl.	



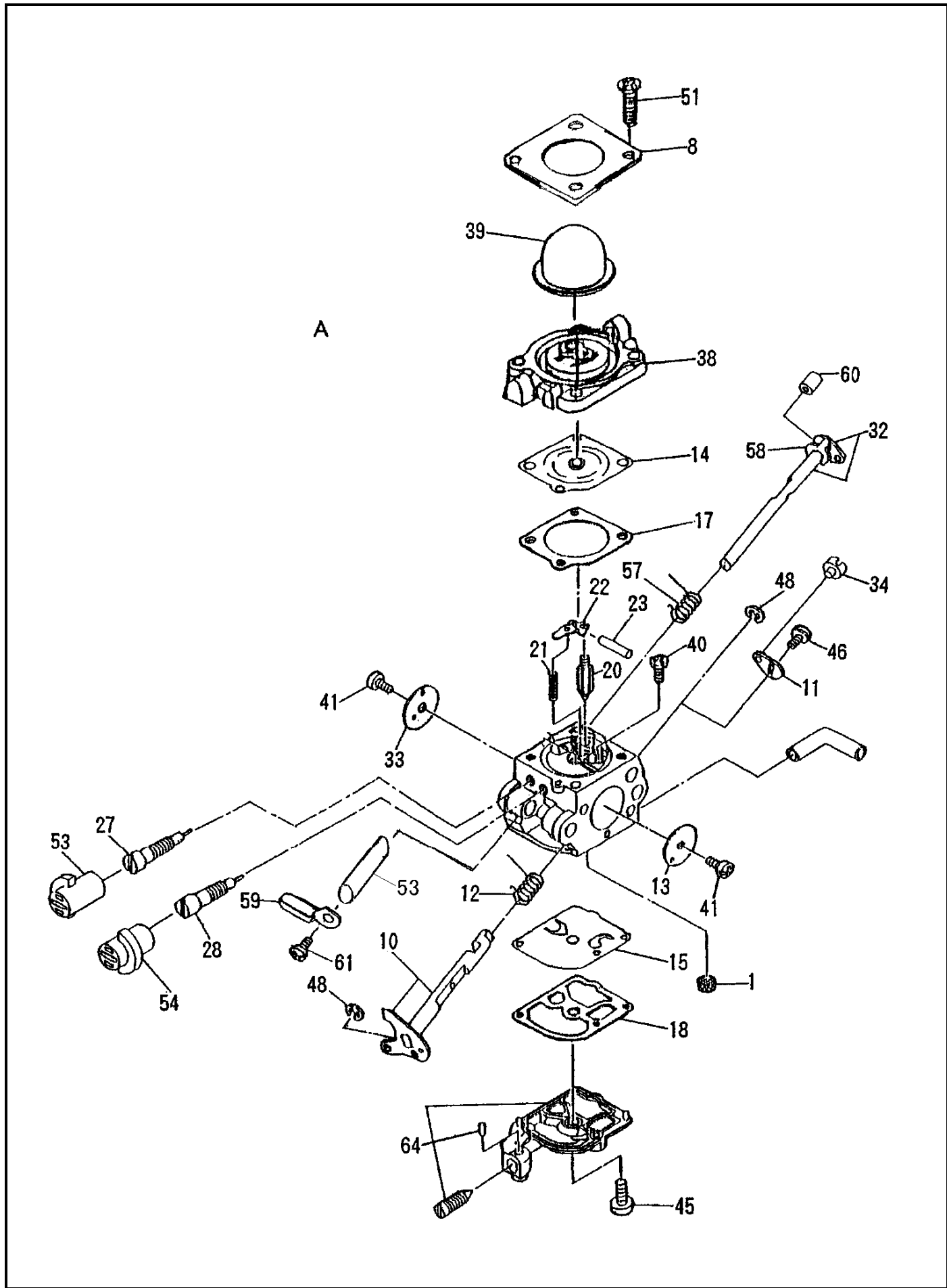
**FL500 PARTS LIST**  
**CARBURETOR & AIR CLEANER**



KEY NO.	PARTS NO.	Q'TY	DESCRIPTION
1	5413048001	1	Plate cleaner assy
2	5413507001	1	Case air cleaner
3	5413507101	2	Element air cleaner
4	5413507200	2	Gasket air cleaner
5	0043605140	1	Screw assy
6	5416504302	1	Gasket carburetor
7	0043605550	2	Screw assy
8	5416504600	1	Bracket cable
9	5216008010	1	Screw cable adjust
10	0022706000	1	Nut M6
11	5413507900	1	Gasket carburetor
12	5413507800	1	Plate
A	5416043003	1	Carburetor

# FL500 PARTS LIST

## CARBURETOR



## FL500 PARTS LIST

### CARBURETOR

KEY NO.	PARTS NO.	Q'TY	DESCRIPTION	
A	5416043003	1	Carburetor	
1	5416043430	1	Strainer	
8	5416043860	1	Retainer	
10	5416043020	1	Shaft assy throttle	
11	5416043520	1	Lever throttle	
12	5416043030	1	Spring throttle	
13	5416043040	1	Valve throttle	
14	5416043260	1	Diaphragm assy	
15	5416043110	1	Diaphragm pump	
17	5416043310	1	Gasket metaling chamber	
18	5416043120	1	Gasket pump	
20	5416043210	1	Valve inlet needle	
21	5416043220	1	Spring metaling lever	
22	5416043230	1	Lever metaling	
23	5416043240	1	Pin	
27	5416043350	1	Screw main mixture	
28	5416043360	1	Screw idle mixture	
32	5416043551	1	Shaft assy ckoke	
33	5416043620	1	Valve choke	
34	5416043540	1	Post	
38	5416043920	1	Base assy primer	
39	5416043510	1	Syringe	
40	5416043250	1	Screw	
41	5416043050	2	Screw	
45	5416043260	1	Screw	
46	5416043530	1	Screw	
48	5416043060	2	E-ring	
51	5416043910	4	Screw	
52	5416043850	1	Collar	

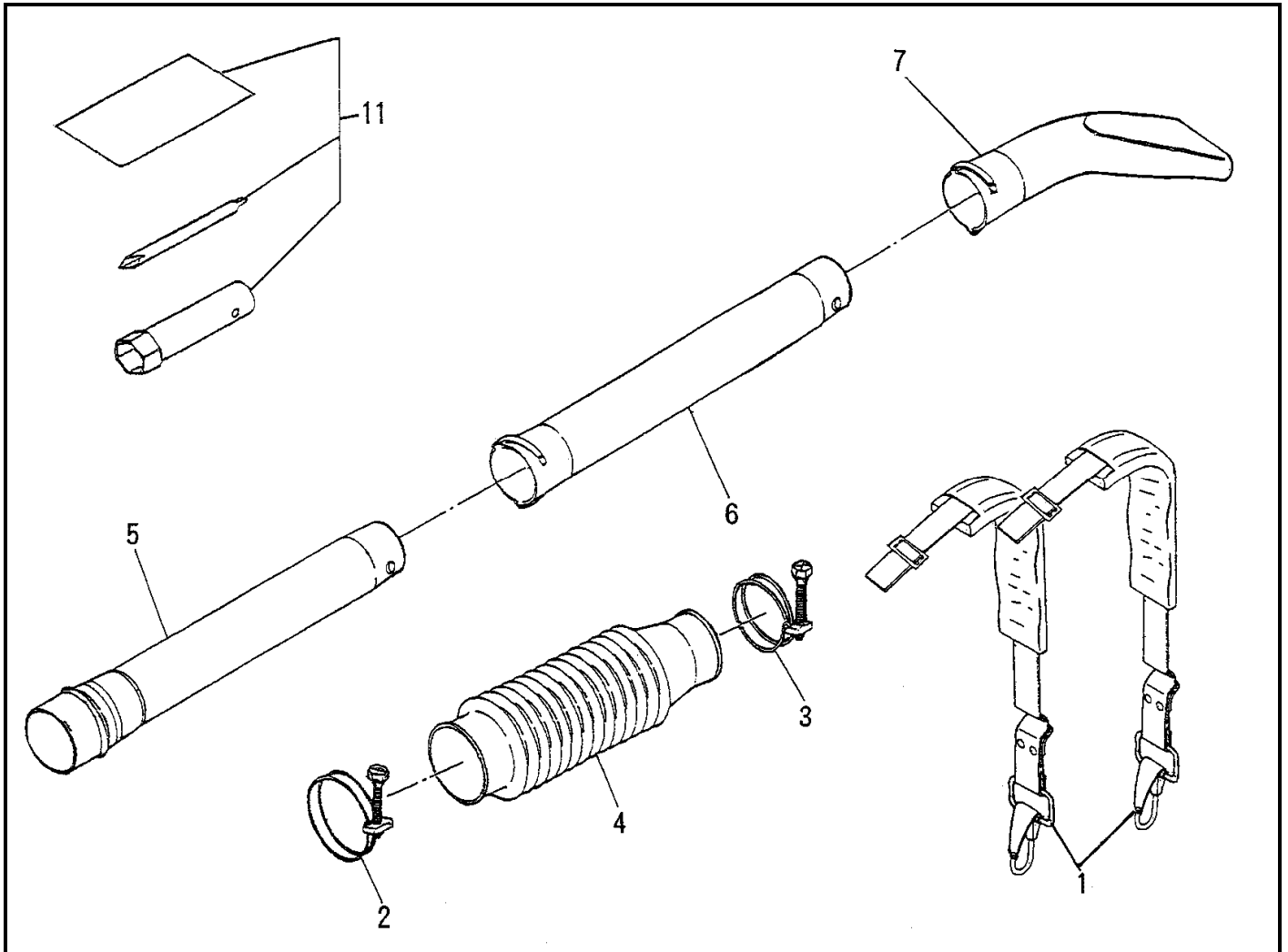
**FL500 PARTS LIST**

**CARBURETOR**

KEY NO.	PARTS NO.	Q'TY	DESCRIPTION	
53	5416043760	1	Limit cap red	
54	5416043810	1	Limit cap white	
57	5416043640	1	Spring choke return	
58	5416043560	1	Lever choke control	
59	5416043660	1	Lever choke	
60	5416043610	1	Collar	
61	5416043710	1	Screw	
64	5416043820	1	Cover kit pump	

# FL500 PARTS LIST

## STANDARD ACCESSORY



KEY NO.	PARTS NO.	Q'TY	DESCRIPTION	
1	6629021000	1	Band set	
2	6629019000	1	Clamp hose	
3	6629020000	1	Clamp hose	
4	6989506900	1	Flexible pipe	
5	6709017010	1	Pipe 1	
6	6709017020	1	Pipe 2	
7	6629506700	1	Pipe end	
11	5019001000	1	Tool	