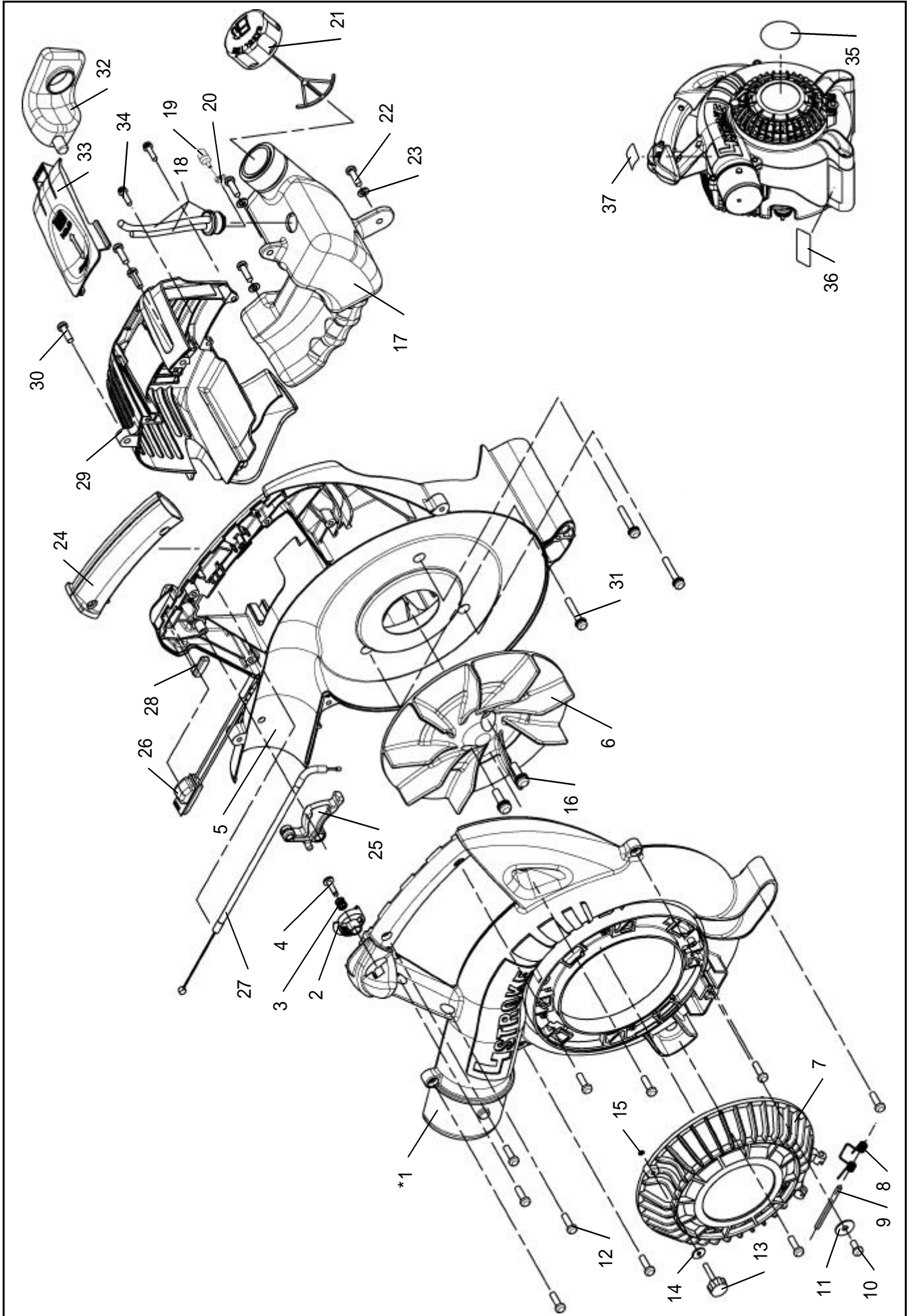


PARTS CATALOG

ROBIN FL-H2500U BLOWER

1.MACHINE BODY	2
2.CRANKCASE	4
3.CRANKSHAFT	6
4.CAMSHAFT	8
5.RECOIL STARTER	10
6.CARBURETOR	12
7.AIR CLEANER	14
8.MUFFLER	16
9.FLYWHEEL	18
10.STANDARD ACCESSORIES	20
11.OPTION	22

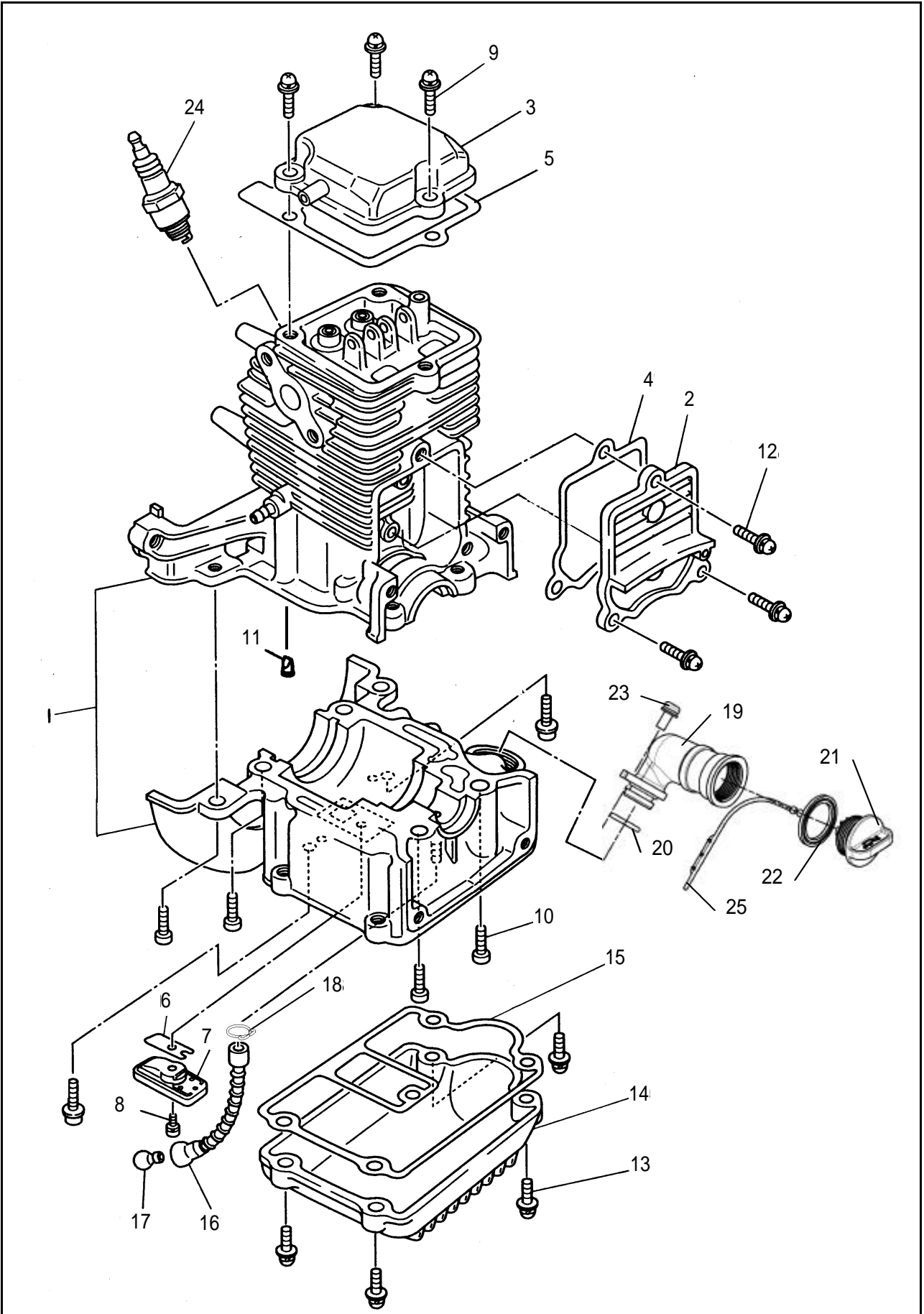
1.MACHINE BODY



1.MACHINE BODY

REF .NO	PART NUMBER	PART NAME	QTY.		REMARKS
				FL-H2500U	
1	6651006000	CASE 1,VOLUTE ASSY		1	INCL.2-4
2	6655500100	LEVER,CRUISE		1	
3	6655500200	SPRING		1	
4	0150049840	TAPPING SCREW		1	4*16
5	6651002000	CASE 2,VOLUTE COMPL		1	
6	6651003000	IMPELLER COMPL		1	
7	6601502702	PROTECTOR		1	
8	6601503001	SPRING		1	
9	6601503100	SHAFT		1	
10	0150059760	TAPPING SCREW		1	5*16
11	0031205003	WASHER		1	
12	0150059760	TAPPING SCREW		10	5*16
13	6601503201	SCREW		1	
14	6601503500	WASHER		1	
15	6601503400	SNAPRING, OUTER		1	
16	0043606200	SCREW ASSEMBLY		2	M6*20 W,SW
17	6653500000	TANK,FUEL		1	
18	0851189950	TUBE		1	
19	5236503900	FILTER		1	
20	0561059990	HOSE CLAMP		1	
21	5926017000	CAP,FUEL TANK ASSY		1	
22	0150059760	TAPPING SCREW		3	5*16
23	0031005003	WASHER		3	
24	6655500000	GRIP		1	
25	6655500300	LEVER, THROTTLE		1	
26	6655001000	SWITCH COMPL		1	
27	0630029730	CONTROL CABLE		1	
28	6651500500	RUBBER, FRICTION		1	
29	6656500000	COVER, ENGINE		1	
30	0150059760	TAPPING SCREW		3	5*16
31	0043605300	SCREW ASSY		3	M5*30 W,SW
32	5926501600	GUARD, OIL		1	
33	6656500100	COVER, PLUG		1	
34	0140049770	SCREW ASSY		2	M4*16 W,SW
35	6659500000	LABEL, PROTECTOR		1	
36	6609508600	LABEL, CAUTION		1	
37	6609513200	LABEL, CAUTION		1	

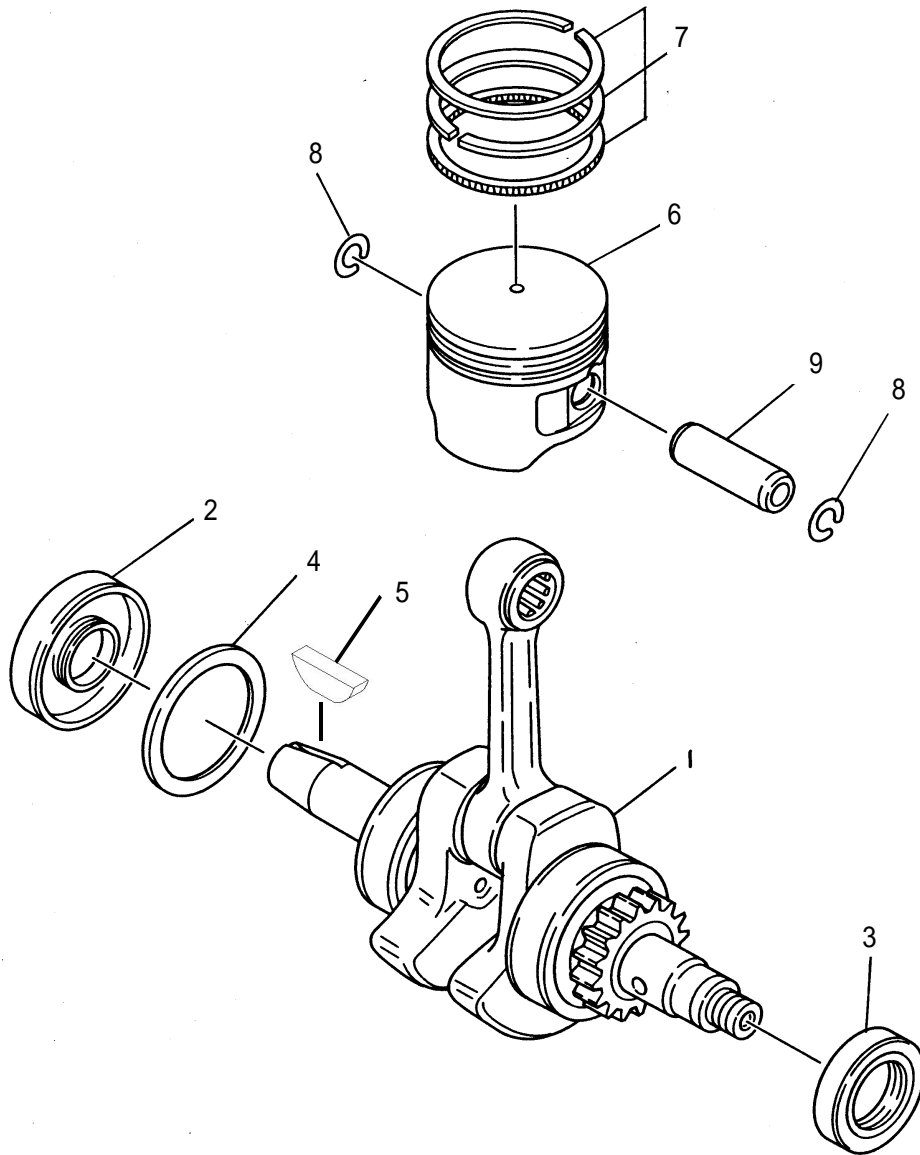
2.CRANKCASE



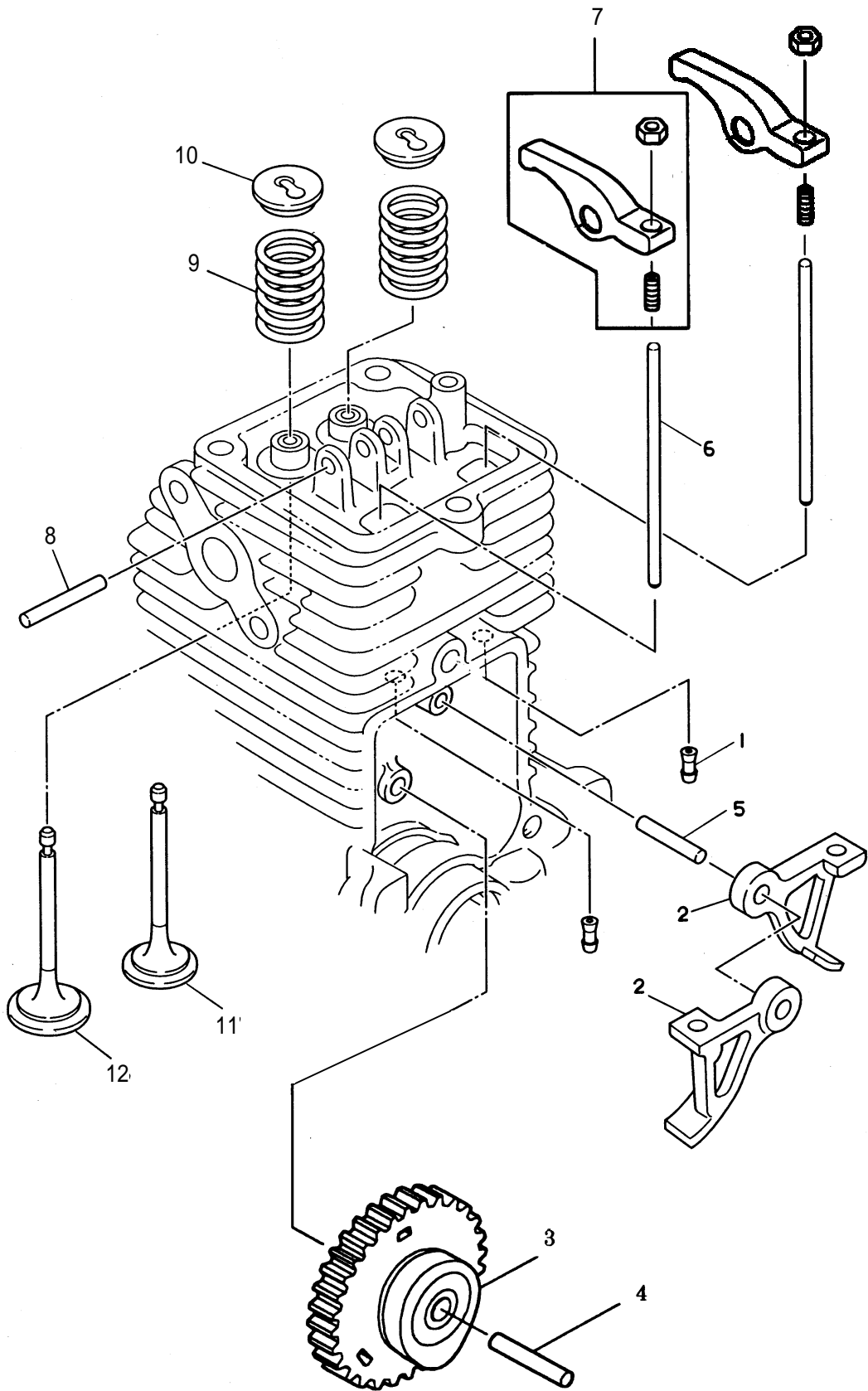
2. CRANKCASE

REF .NO	PART NUMBER	PART NAME		QTY.	REMARKS
				FL-H2500U	
1	5921011000	CYLINDER BLOCK SET		1	
2	5921500502-1	COVER,CAM GEAR		1	
3	5921004001	ROCKER COVER COMPL		1	
4	5921500700	GASKET,COVER CAM GEAR		1	
5	5921500800	GASKET,ROCKER COVER		1	
6	5921501000	LEAD VALVE		1	
7	5921501100	RETAINER PLATE		1	
8	0119049980	SOCKET HEAD BOLT		1	M4*10
9	0043605160	SCREW ASSEMBLY		3	M5*16 W, SW
10	0119059510	SOCKET HEAD BOLT		8	M5*14
11	5921501800	CHECK VALVE		2	
12	0043605140	SCREW ASSEMBLY		3	M5*14 W, SW
13	0043605180	SCREW ASSEMBLY		4	M5*18 W, SW
14	5926500000-2	CASE,OIL		1	
15	5926500100	GASKET,CASE		1	
16	5926500200-1	TUBE,OIL		1	
17	5926500300	WEIGHT,OIL		1	
18	0561059970	HOSE CLAMP		1	
19	5926021000	PIPE,OIL COMPL		1	
20	0240139950	O RING		1	
21	5926501500	CAP,OIL		1	
22	0213229990	GASKET		1	
23	0043605120	SCREW ASSEMBLY		1	M5*12 W, SW
24	0650109950	PLUG, SPARK		1	CMR6A
25	5926501700	GAUGE,OIL		1	

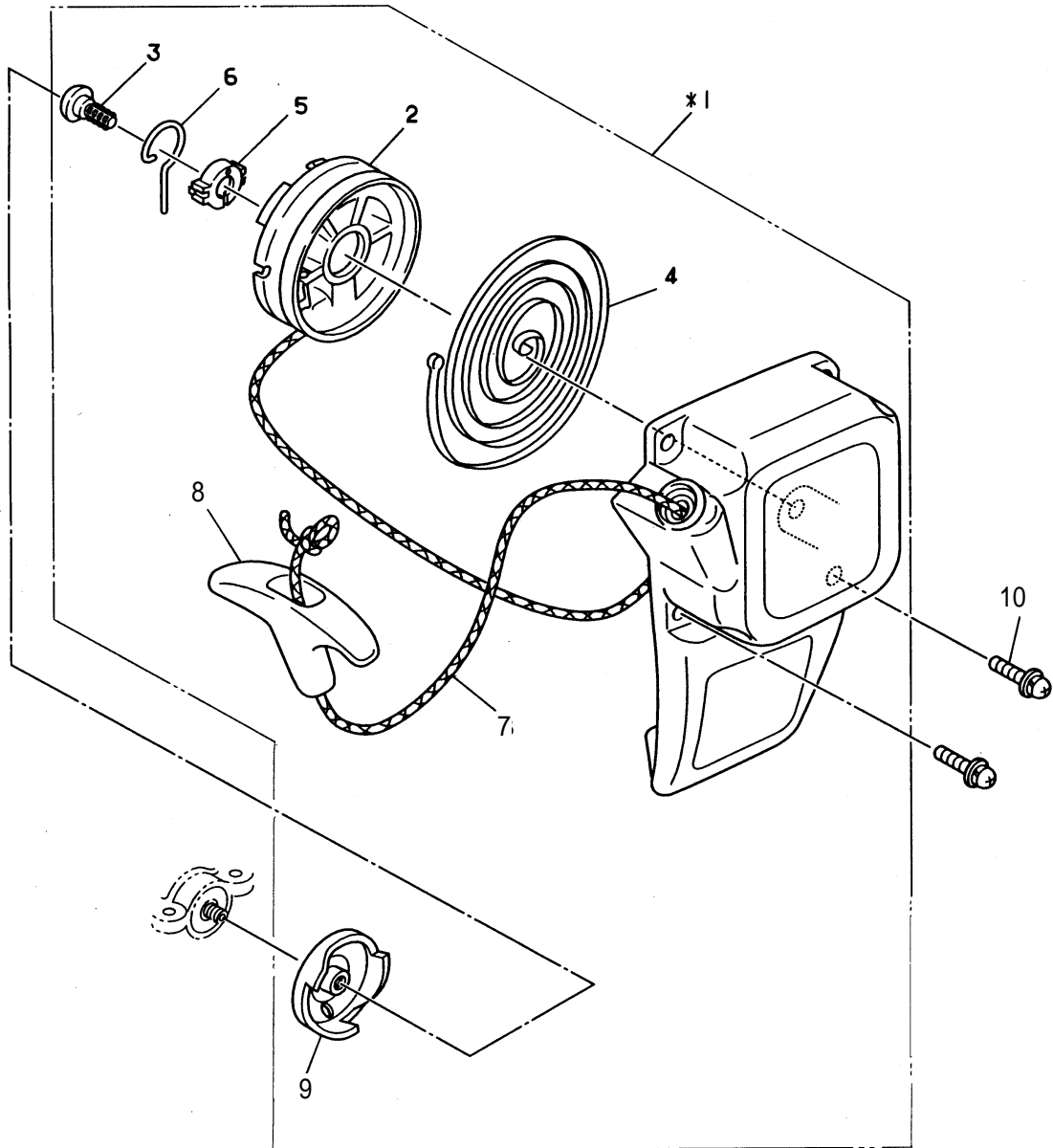
3.CRANKSHAFT



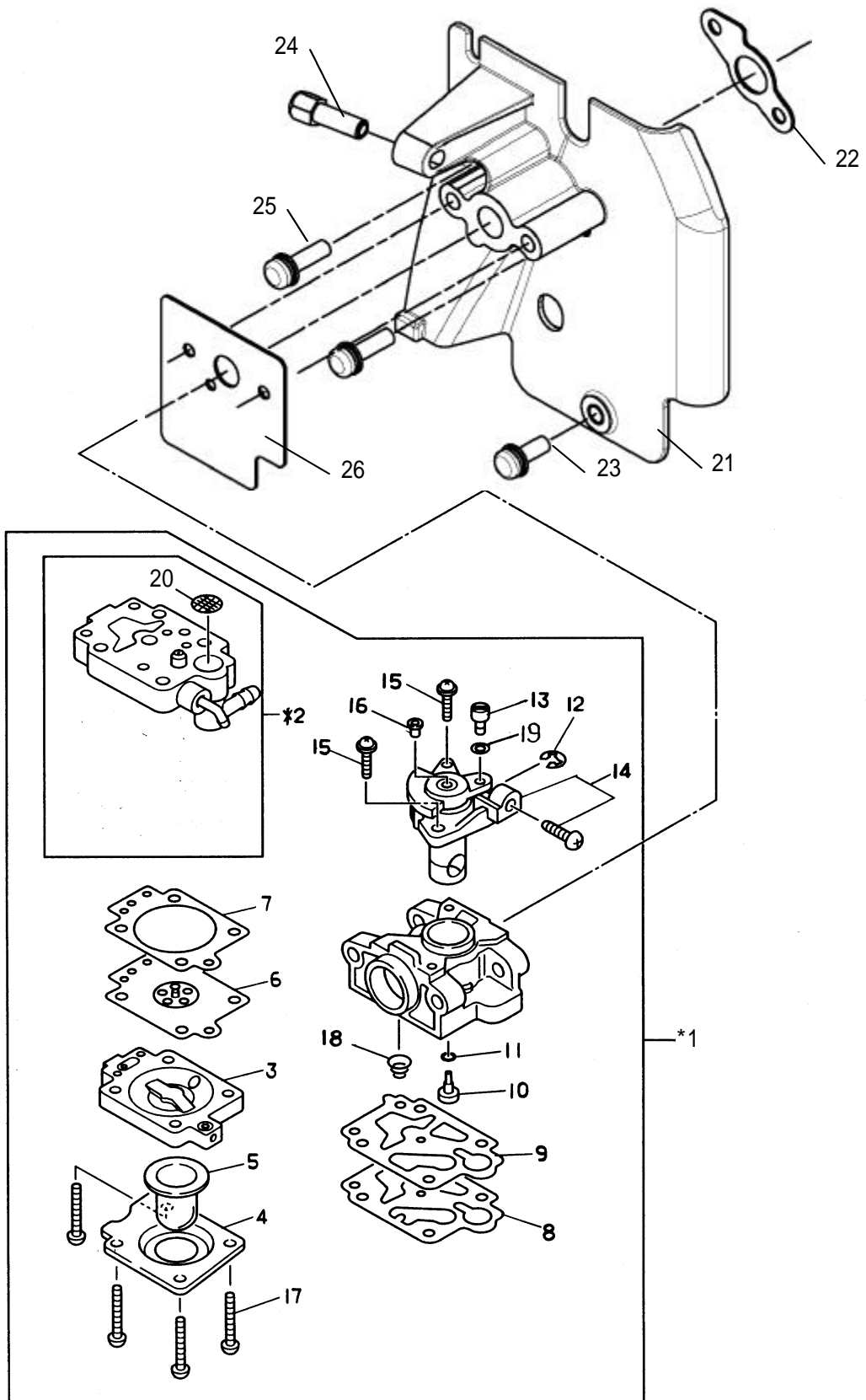
4.CAMSHAFT



5.RECOIL STARTER



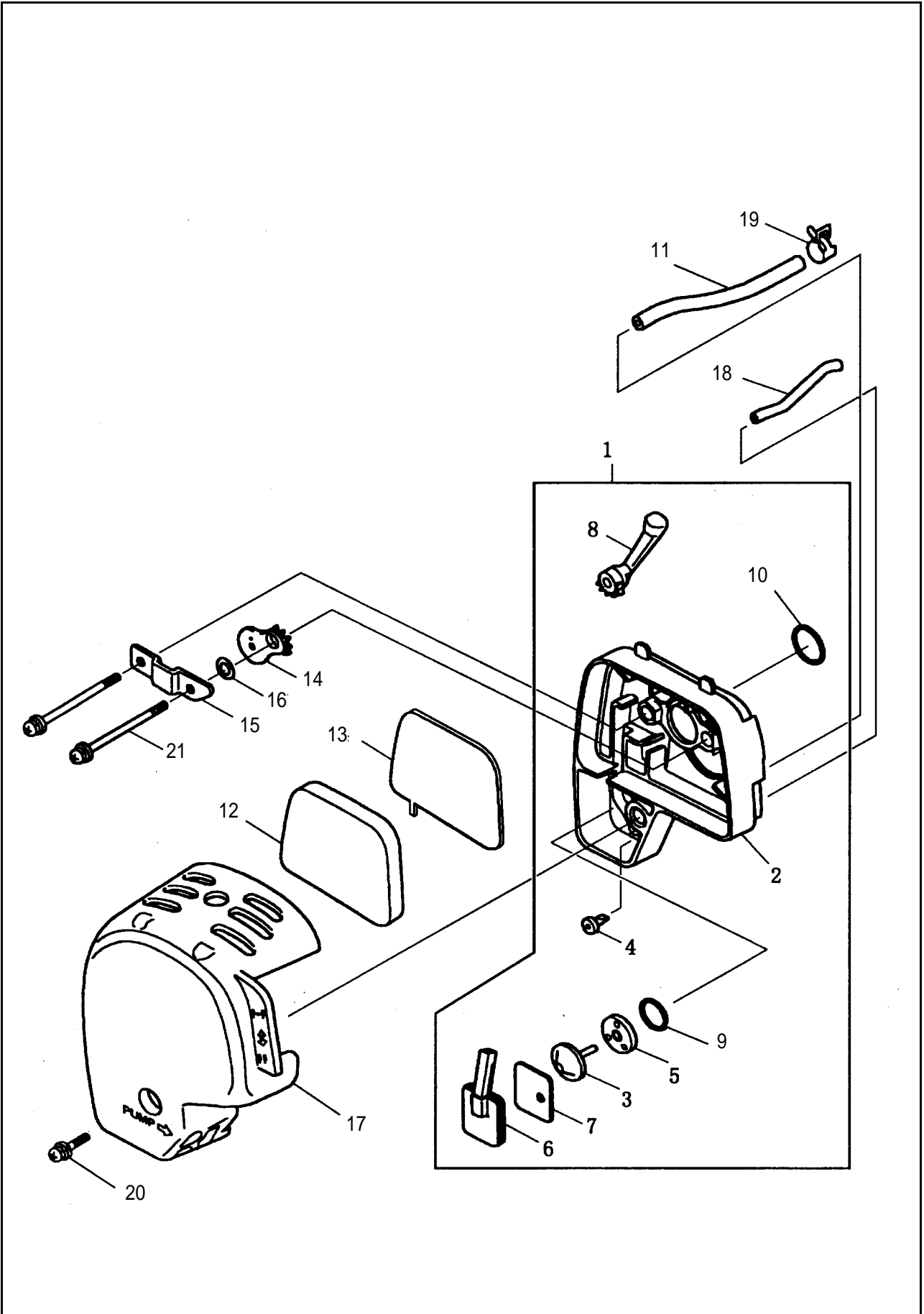
6.CARBURETOR



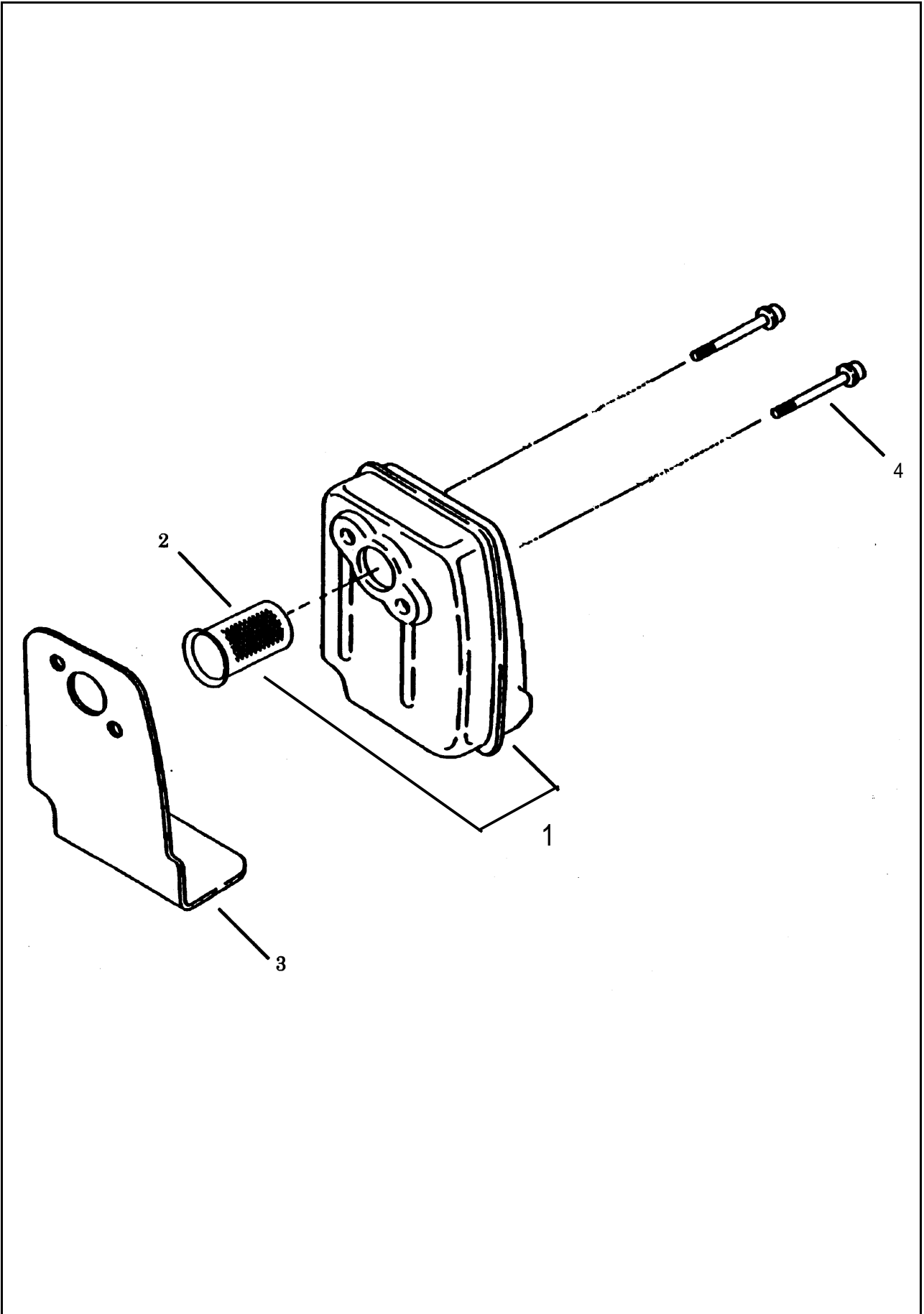
6. CARBURETOR

REF .NO	PART NUMBER	PART NAME	QTY.		REMARKS
				FL-H2500U	
*1	5926022000	CARBURETOR		1	
*2	5926002060	BODY ASSEMBLY-PUMP		1	
3	5236046140	BODY ASSEMBLY-AIR PURGE		1	
4	5236046050	COVER-PRIMER PUMP		1	
5	5246001150	PUMP-PRIMER		1	
6	5926008010	DIAPHRAGM ASSY-METERING		1	
7	5236046040	GASKET-METERING DIAPHRAGM		1	
8	5246001040	DIAPHRAGM-PUMP		1	
9	5926002040	GASKET-PUMP		1	
10	5196002020	JET		1	
11	5246001010	RING- "0"		1	
12	5316005120	RING-SPRING RETAINING		1	
13	5236018040	SWIVEL		1	
14	5926002010	VALVE ASSEMBLY-THROTTLE		1	
15	5206008030	SCREW-THROTTLE COLLER		2	
16	5206008110	PLUG		1	
17	5236046010	SCREW-PUMP COVER		4	
18	5926002020	SPRING-PUMP		1	
19	5426005030	WASHER		1	
20	5016004010	SCREEN- INLET		1	
21	5923013000	INSULATOR COMPL		1	
22	5923501801	GASKET , INSULATOR		1	
23	0043605140	SCREW ASSEMBLY		1	M5*14 W, SW
24	0149069972	ADJUST SCREW		1	
25	0043605180	SCREW ASSEMBLY		2	M5*18 W, SW
26	5923501900	GASKET , CARBURETOR		1	

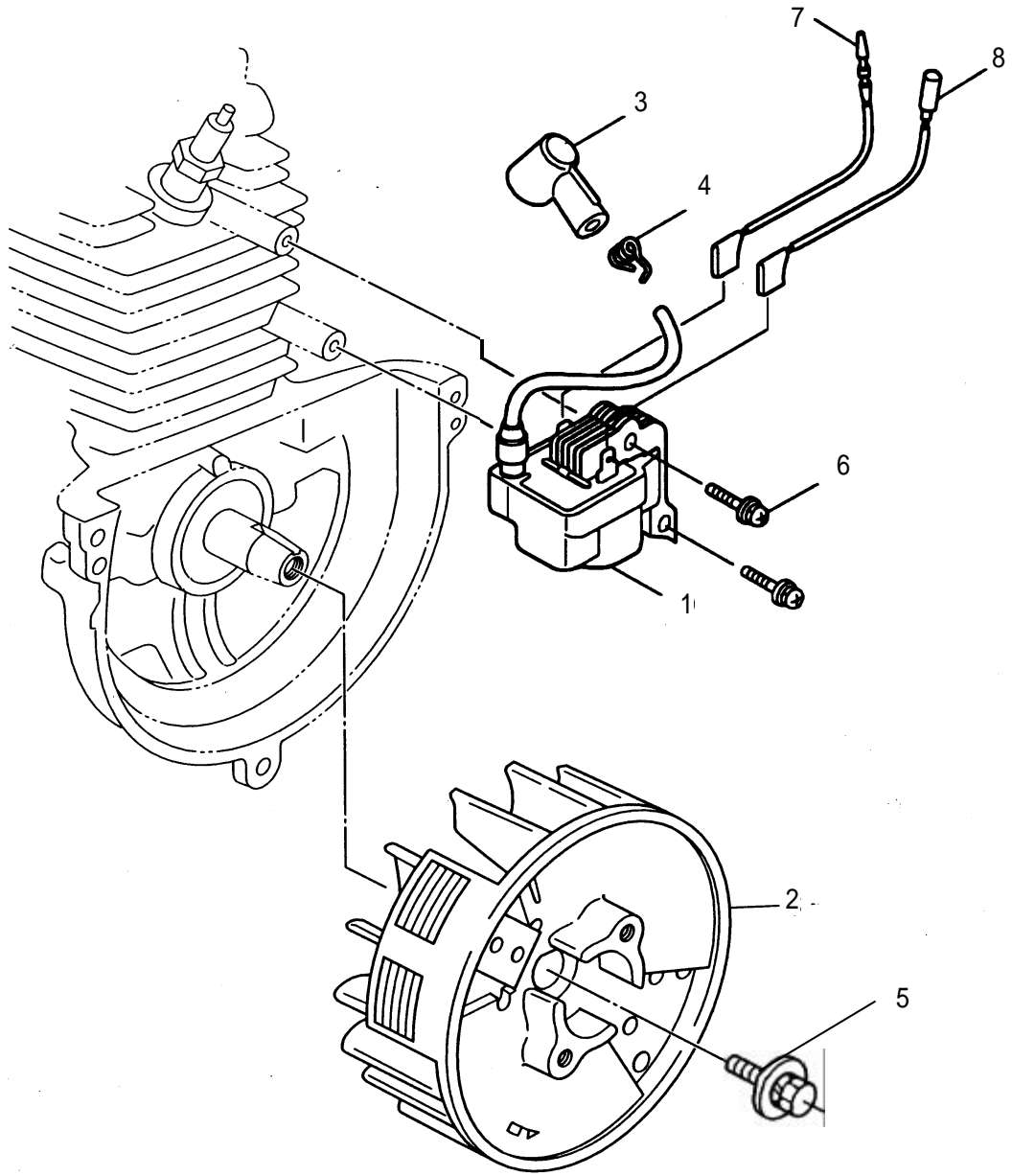
7.AIR CLEANER



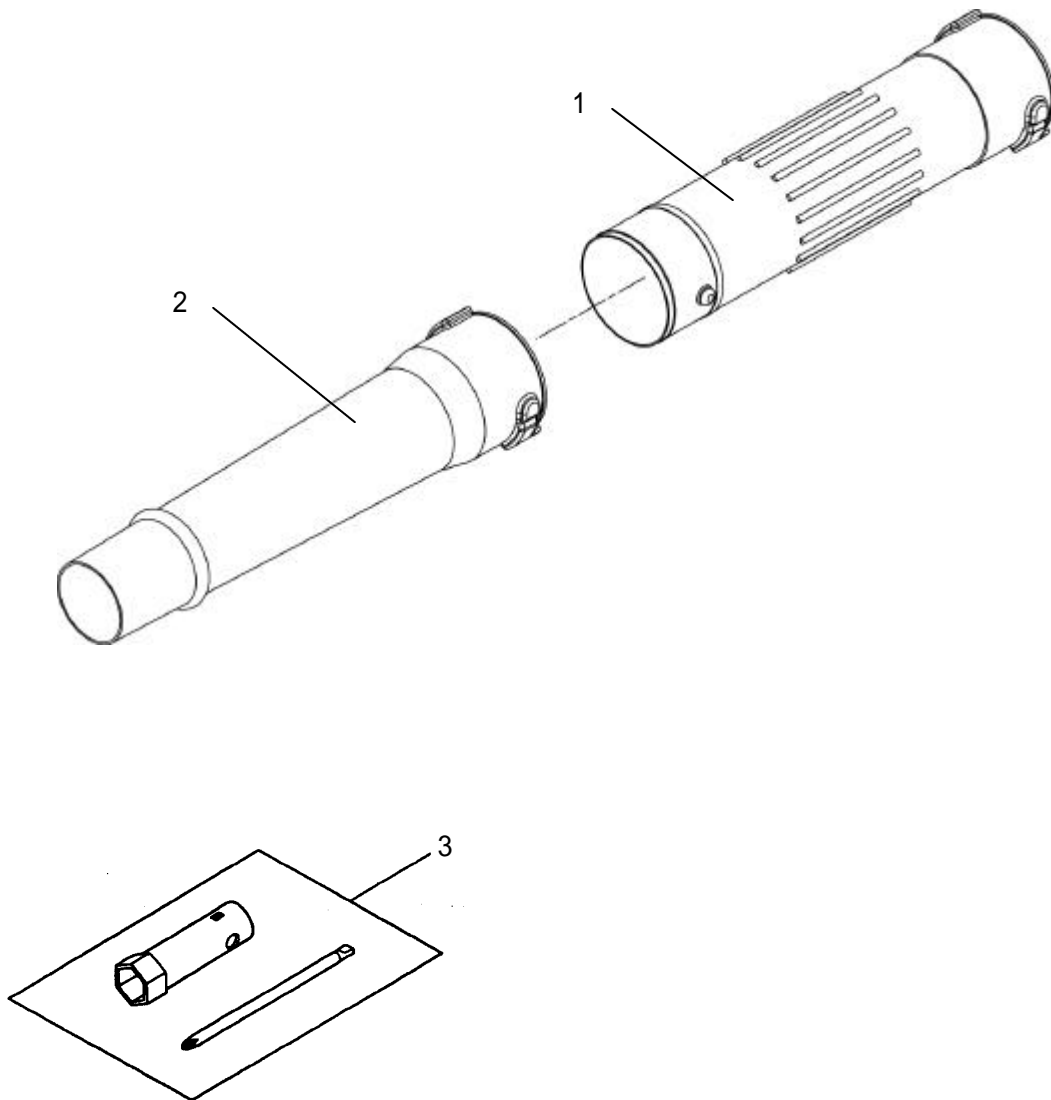
8.MUFFLER



9.FLYWHEEL



10.STANDARD ACCESSORIES



11.OPTION

