

PARTS CATALOG

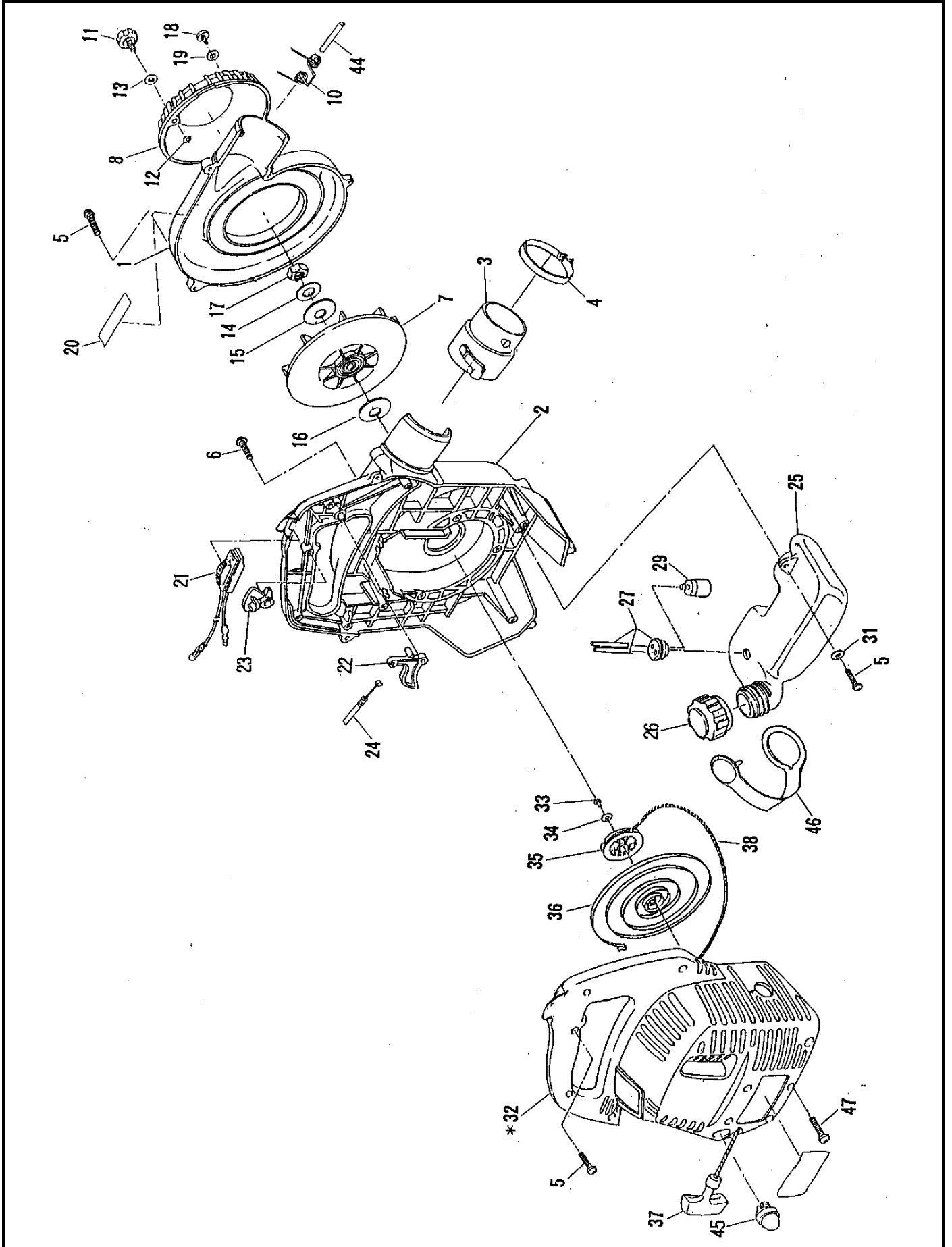
W-SFL251A

MACHINE BODY,
ENGINE BODY,
CARBURETOR,
ACCESSORIES,

W-SFL251A

W-SFL251A

MACHINE BODY



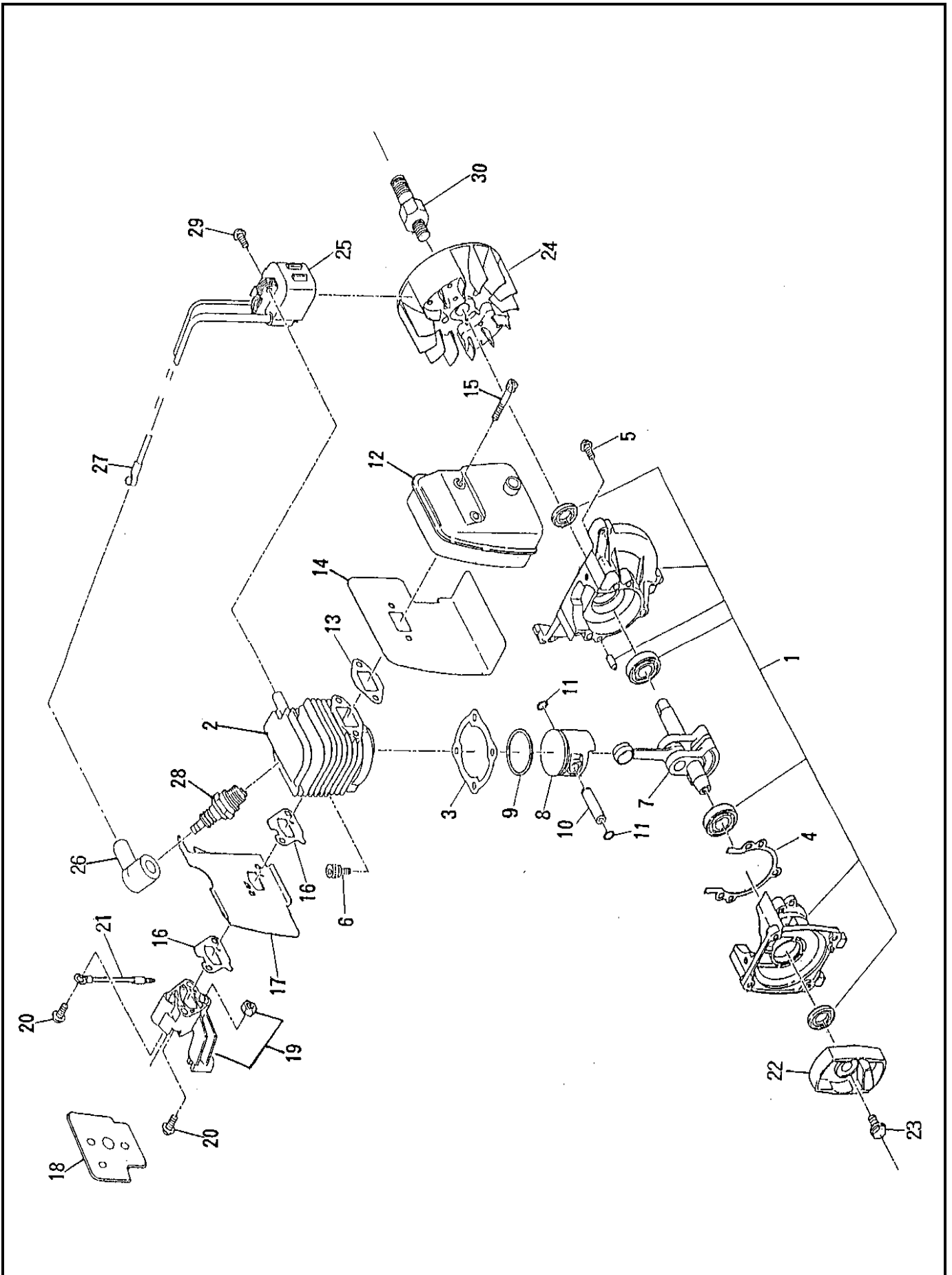
W-SFL251A

MACHINE BODY

KEY NO.	PART NO.	Q'TY	DESCRIPTION	
		W-SFL251A		
1	6601031000	1	Case (1) volute compl.	
2	6601032000	1	Case (2) volute compl.	
3	6609511300	1	Pipe extension	
4	6609508500	1	Clamp hose	
5	6601501300	13	Screw tapping (M5x20)	
6	0043605350	3	Screw assy (M5x35 W SW)	
7	6601503300	1	Impeller	
8	6601502701	1	Protector	
10	6601503001	1	Spring	
11	6601503201	1	Screw	
12	6601503400	1	Snapping outer	
13	6601503500	1	Washer	
14	0200089850	1	Washer (M8)	
15	0031208000	1	Washer (M8)	
16	6601503600	1	Washer	
17	0021708000	1	Nut (M8x6)	
18	6601500500	1	Tapping screw (M5x14)	
19	0031205000	1	Washer (M5)	
20	6609508600	1	Lavel caution	
21	6605010002	1	Switch compl.	
22	6605502001	1	Lever throttle	
23	6605502101	1	Stopper lever	
24	0630049930	1	Control cable	
25	6603500101	1	Tank fuel	
26	5256059000	1	Cap fuel tank	
27	6603001000	1	Tube	
29	5236503900	1	Filter	
31	0031105000	2	Washer (M5)	
*32	6608011000	1	Cover engine compl. (incl.33to38)	
33	6608001010	1	Tapping screw	
34	6608001020	1	Washer	
35	6608001030	1	Reel	
36	6608001040	1	Spiral spring	
37	6608001050	1	Starter knob	
38	6608001060	1	Starter rope	
44	6601503100	1	Shaft	
45	5236504300	1	Pump	
46	6255021002	1	Strap unit	
47	0140059450	4	Screw (M5x18 W SW)	

W-SFL251A

ENGINE BODY

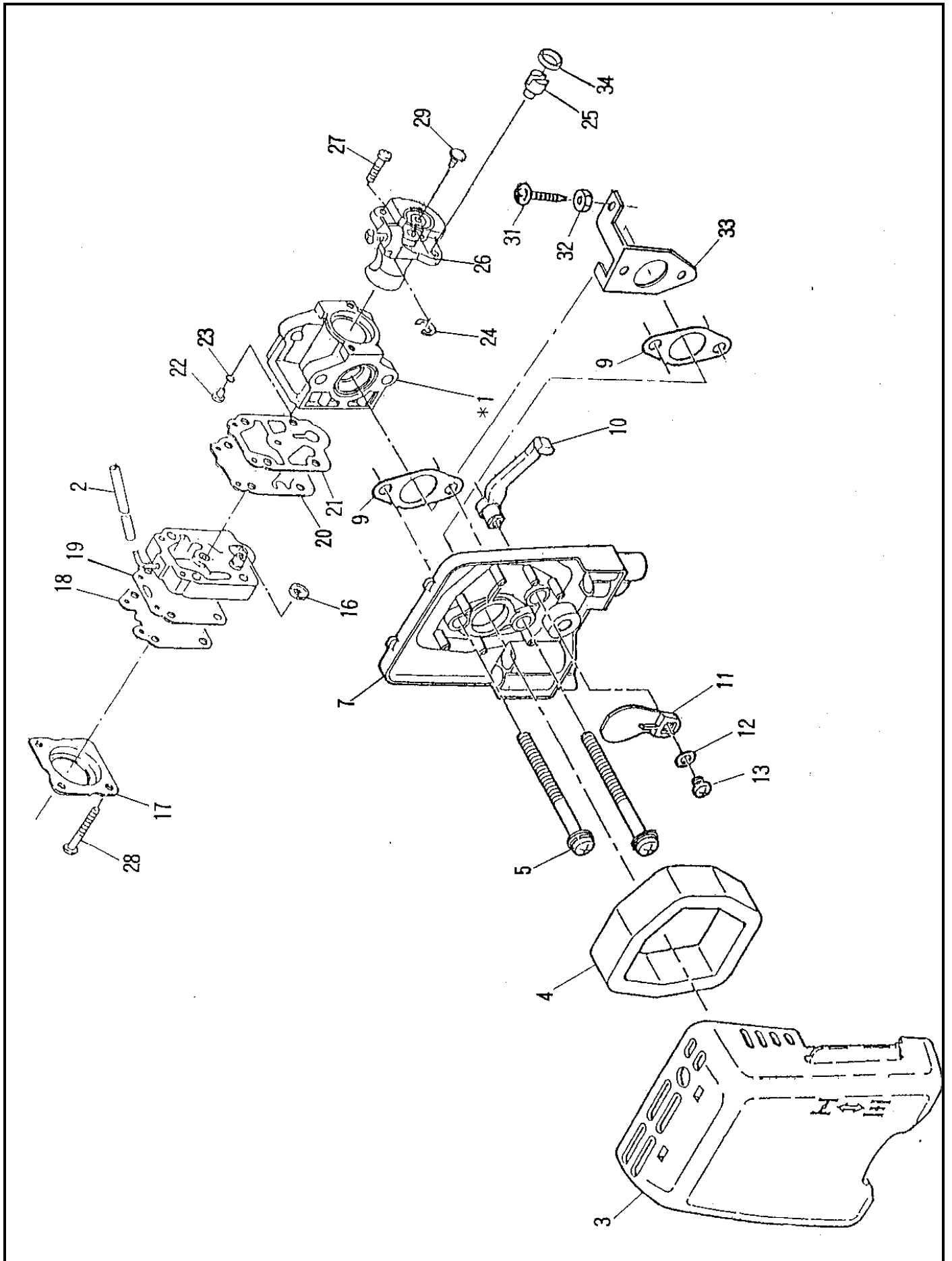


W-SFL251A**ENGINE BODY**

KEY NO.	PART NO.	Q'TY		DESCRIPTION	
		W-SFL251A			
1	5231011000	1		Crankcase assy	
2	5231501804	1		Cylinder	
3	5231502304	1		Gasket cylinder	
4	5231502202	1		Gasket crankcase	
5	0140059520	3		Screw (M5x20)	
6	0119059730	2		Socket head bolt (M5x20 W SW)	
7	5232018000	1		Crankshaft compl.	
8	5232501902	1		Piston	
9	5242500701	1		Ring piston	
10	5232502600	1		Pin piston	
11	0565089970	2		Clip	
12	5253002001	1		Muffler exhaust	
13	5233504302	1		Gasket muffler	
14	5253500400	1		Insulator muffler	
15	0119059670	2		Socket head bolt (M5x55)	
16	5233503902	2		Gasket insulator	
17	5233505201	1		Insulator carburetor	
18	5233504103	1		Gasket insulator	
19	5233038001	1		Insulator compl.	
20	0140059500	2		Screw (M5x25 W SW)	
21	6165501200	1		Wire	
22	5235063000	1		Pulley	
23	5235504700	1		Bolt assy (M6x16)	
24	5237034012	1		Flywheel	
25	5237034022	1		Coil	
26	0655009940	1		Cap plug	
27	0654009931	1		Spring plug cap	
28	0650149721	1		Plug spark	
29	0140049920	2		Screw (M4x20)	
30	6605502203	1		Shaft	

W-SFL251A

CARBURETOR & AIR CLEANER



W-SFL251A

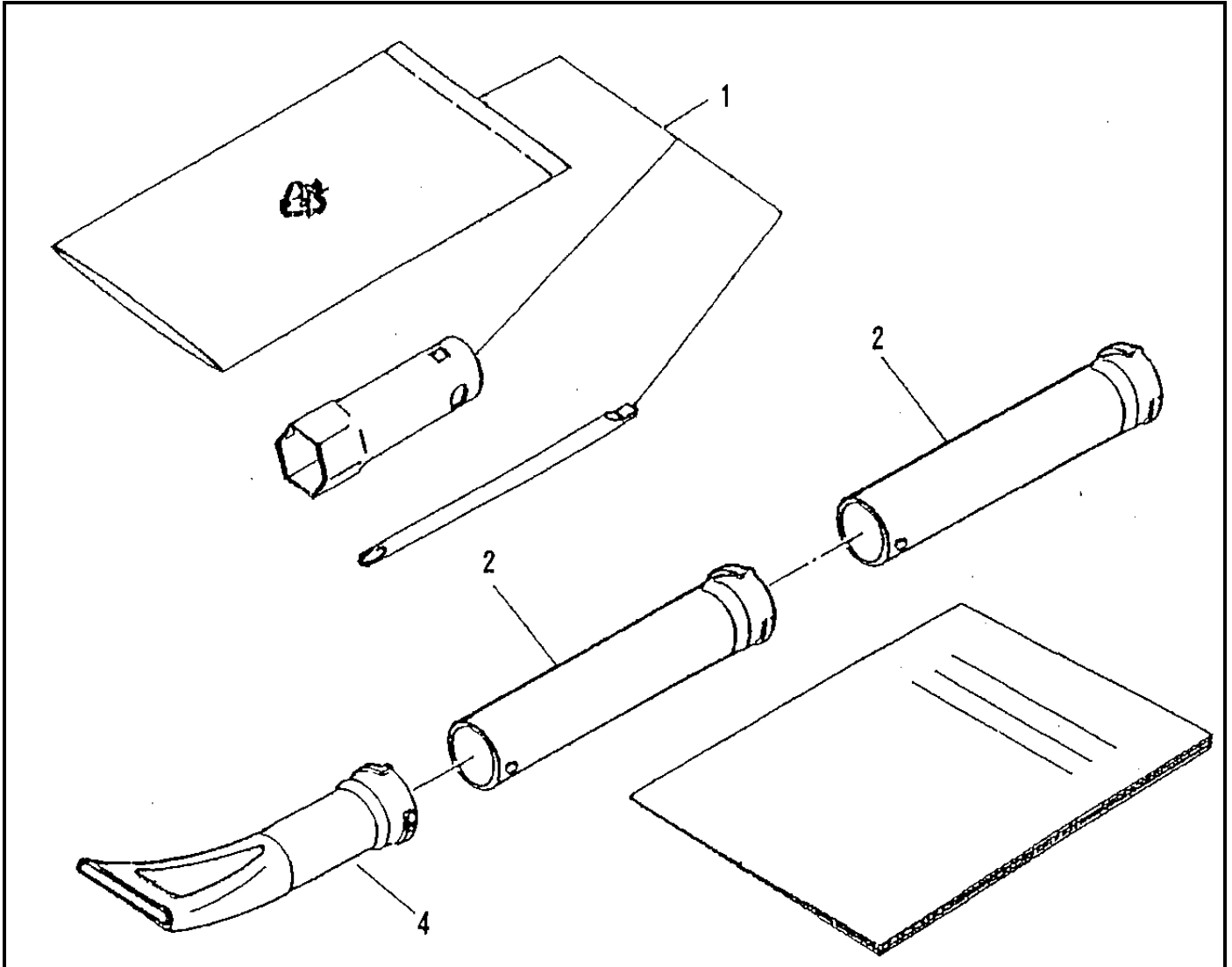
CARBURETOR & AIR CLEANER

KEY NO.	PART NO.	Q'TY		DESCRIPTION
		W-SFL251A		
*1	5256003000	1		Carburetor (incl.16to29)
2	0851139962	1		Tube
3	5233504602-1	1		Case air cleaner
4	5233504700	1		Element air cleaner
5	0140059470	2		Screw (M5x62)
7	5233048001	1		Plate cleaner compl.
9	5233504200	2		Gasket carburetor
10	5233504801	1		Lever choke
11	5233505002	1		Plate choke
12	0031104000	1		Washer
13	0150049980	1		Tapping screw
16	5016004010	1		Screen inlet
17	5316005030	1		Cover metaling diaphragm
18	5316005250	1		Diaphragm assy metaling
19	5016004130	1		Diaphragm gasket
20	5246001040	1		Diaphragm pump
21	5246001030	1		Gasket pump
22	5236046030	1		Jet
22	5256013010	-		Jet
23	5246001010	1		O-ring
24	5316005120	1		Spring ring
25	5236018040	1		Swivel
26	5236047022	1		Valve assy throttle
27	5206008030	2		Screw collar throttle
28	5216002020	4		Screw
29	5206008110	1		Plug
31	5256500801	1		Screw cone point
32	0021704000	1		Nut
33	5256500700	1		Stopper throttle
34	5219500000	1		Holder

W-SFL251A

STANDARD ACCESSORY

GS261R

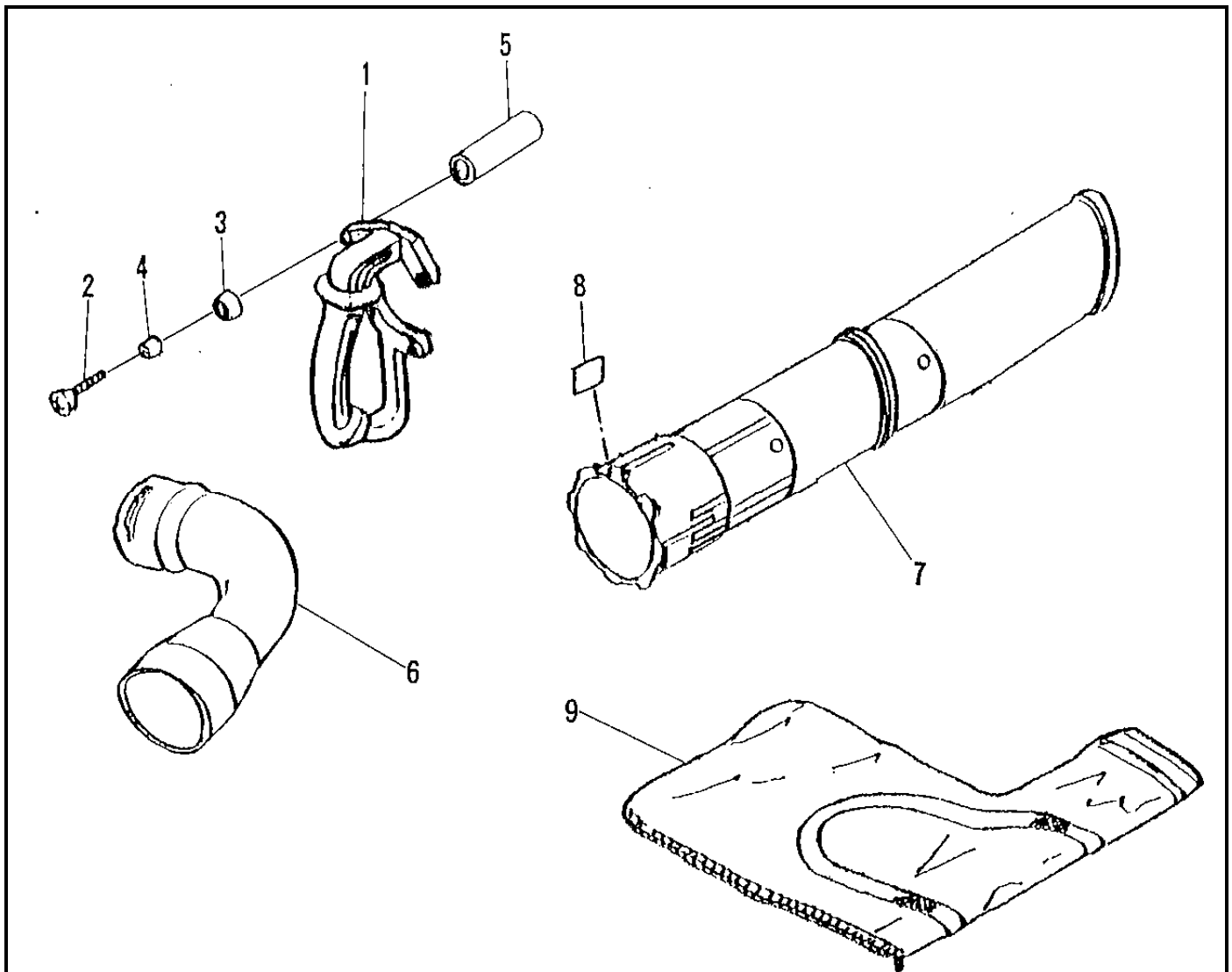


KEY NO.	PART NO.	Q'TY	DESCRIPTION
1	5019001000-1	1	Tool
2	6609511400	2	Pipe
4	6609511500	1	Pipe end

W-SFL251A

STANDARD ACCESSORY

GS252VR



KEY NO.	PART NO.	Q'TY	DESCRIPTION
1	6609008000	1	Grip compl.
2	0140059460	4	Screw assy (M5x60 W SW)
3	5317500300	4	Protector
4	0230059990	4	Spacer
5	6115503800	4	Spacer
6	6609502800	1	Elbow
7	6609045000	1	Pipe vacuum compl.
8	6609504800	1	Label mark
9	6609006001	1	Dust bag

W-SFL251A