



# EX Series

MULTI-PURPOSE ENGINES





<b>EX series Overhead Camshaft, Gasoline, (OHC)</b> .....	<b>4-7</b>
<b>Information and diagrams</b> .....	<b>8-13</b>
<b>PTO Shaft (Variations &amp; Dimensions)</b> .....	<b>14</b>
<b>Accessories</b> .....	<b>15</b>

**Worms Entreprises Distributes cc ROBIN and EX WORMS engines. Thanks to a network of dealers, we ensure the follow-up of the guarantee and the distribution of the genuine spare part. All documentation and information are available on our website:**

**[www.wormsentreprises.com](http://www.wormsentreprises.com)**

**The guarantee of a great manufacturer**

*Power... Reliability... Easy maintenance... The professional choice*



1956



1999



2006

**Robin**  
SUBARU

2010

**SUBARU**  
Robin Industrial Products

2012



since 2017

# EX Series | Gasoline Overhead Camshaft Engine (OHC)



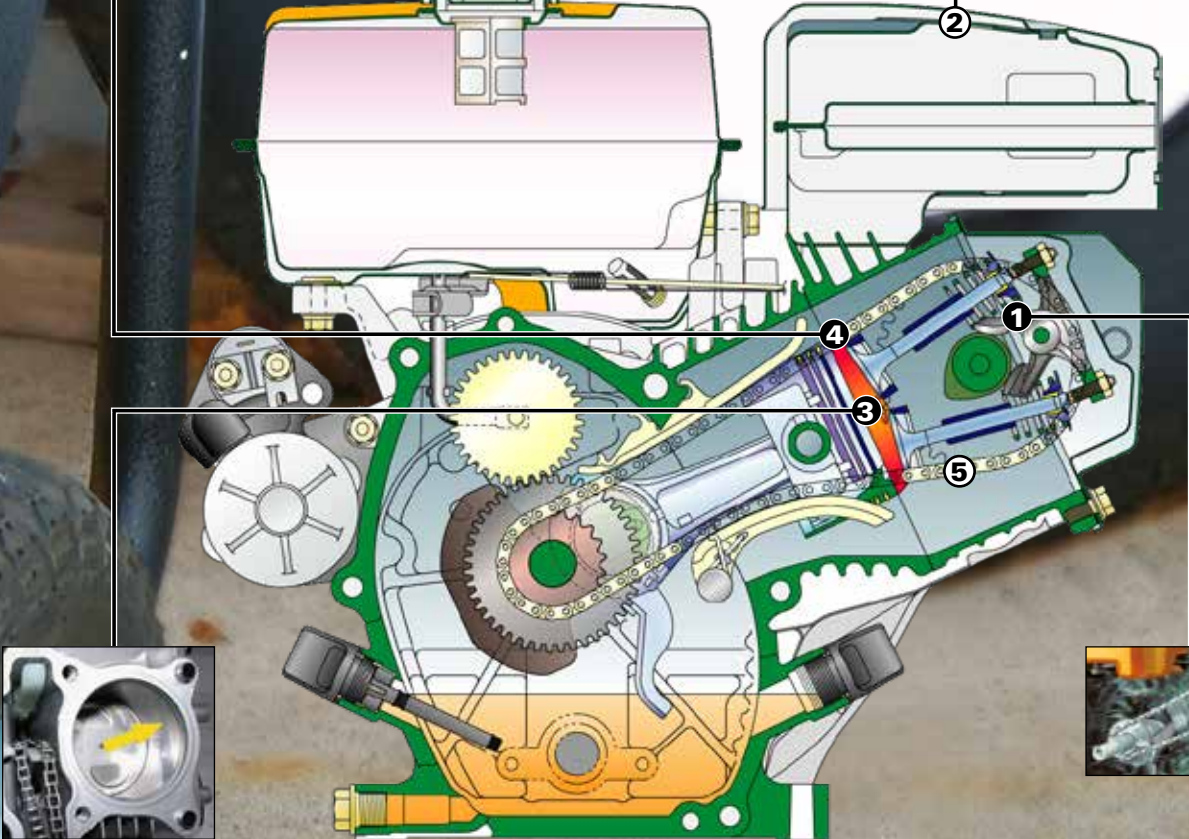
EX Series engines are easy to install and offer maximum efficiency, high performance and impressive power with minimal noise and low emissions. With 5 models ranging from 4.3 to 12 horsepower, including a specially tailored all-season engine, EX Series engines are ideal for use in soil compactors, pressure washers, generators, water pumps, air compressors, log splitters, lawn and turf seeders and chippers/shredders.

## Features & Benefits

- 1 Overhead Cam Technology**  
Features 33 percent fewer moving valve train parts than overhead valve designs. First pull starts without any perceptible kickback. An all-season model takes on changing seasons, starting even when it's -10 °C.
- 2 An optimized-capacity rigid muffler**  
associated with a moving parts significant reduction (-33 %) gives 2 dB lower sound level compared to competitors engines.
- 3 A ball-bearing crankshaft**  
This is the warranty of a long lifetime and of an excellent operation stability.
- 4 Pent-roof combustion chamber**  
enables optimal intake and exhaust valve placement for maximum engine performance and efficiency.
- 5 The chain-driven overhead cam design**  
offers superior power and performance with an automatic decompression system to reduce the required pulling force by 30-40 percent.

# from 4,3 to 12 HP

EX13 | EX17 | EX21 | EX27 | EX40



## Factory options

- **Charge coil**  
Up to 200 Watts (except EX13).
- **Electric start**  
Quick and convenient for easy start (except EX13).
- **Multiple air filters**  
Suitable for every application ... double elements, prefilter, oil bath, deported, pre-cyclone or cyclone.
- **Oil sensor security**  
Stopping the engine in case of lack of oil.
- **Crankshafts**  
Adapted crankshaft outputs to many applications.

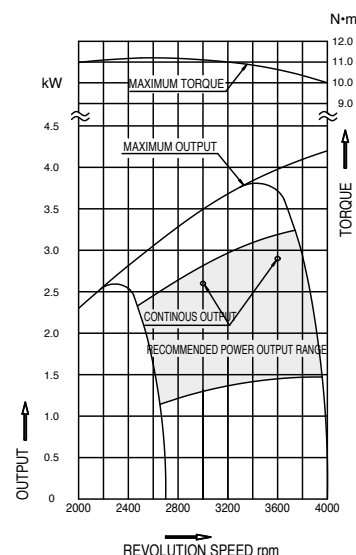
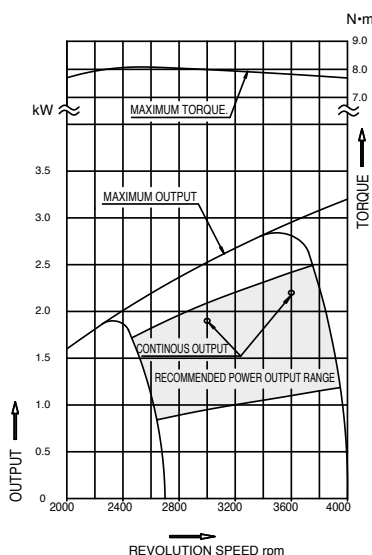
# EX Series | Gasoline Overhead Camshaft Engine (OHC)



**EX13**  
**4,3 HP**



**EX17**  
**5,7 HP**



Specifications	EX13	EX17
Replace	GX120	GX160
Bore & Stroke	58 x 48 mm	67 x 48 mm
Displacement	126 cm <sup>3</sup>	169 cm <sup>3</sup>
Maximum Output - 4000 RPM	<b>4,3 HP</b>	<b>5,7 HP</b>
Continuous Output - 3000 RPM	2,6 HP	3,5 HP
Continuous Output - 3600 RPM	3,0 HP	4,0 HP
Maximum Torque - 2500 RPM	8,1 N·m	11,3 N·m
Fuel Tank Capacity	2,7 L	3,6 L
Oil Capacity	0,6 L	0,6 L
Recoil Start	serial	serial
Dimensions L x W x H	297 x 341 x 318 mm	304 x 354 x 335 mm
Dry Weight	14 kg	15 kg

Air-cooled, 4-Cycle single cylinder || Horizontal PTO Shaft || Counter clockwise rotation || OHC Gasoline SP95 or SP95-10 || Horizontal Draft and Float type carburettor || Splash lubrication || Lubricating oil SAE 10W-30; 20W; 30W || Transistorized ignition || Mechanical centrifugal governor with fly weights || Exhaust muffler to CE standards / Regulations



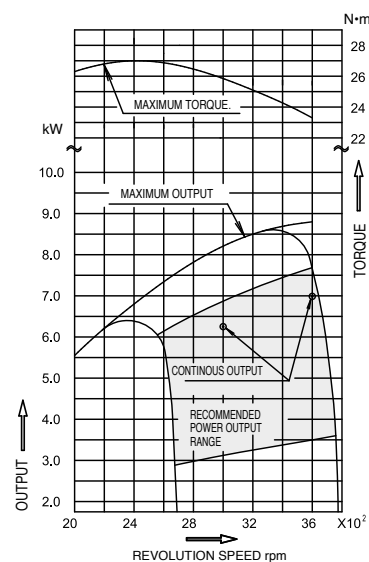
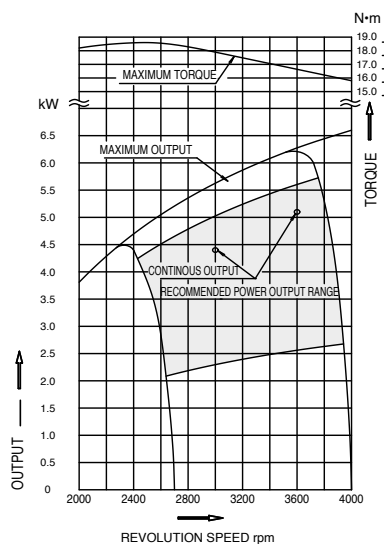
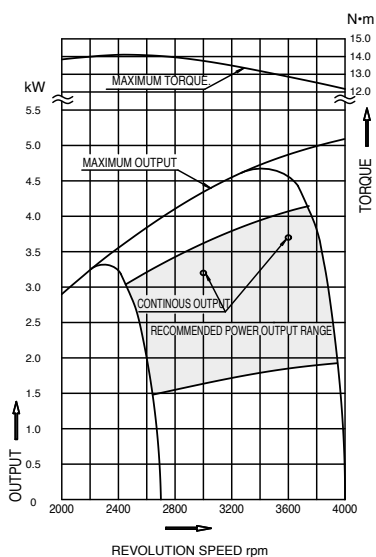
**EX21**  
**7 HP**



**EX27**  
**9 HP**



**EX40**  
**14 HP**



**EX21**

**GX200**  
67 x 60 mm

211 cm<sup>3</sup>

**7,0 HP**

4,4 HP

5,0 HP

13,9 N·m

3,6 L

0,6 L

serial

311 x 366 x 335 mm

16 kg

**EX27**

**GX270**  
75 x 60 mm

265 cm<sup>3</sup>

**9,0 HP**

6,0 HP

7,0 HP

18,6 N·m

6,1 L

1,0 L

serial

351 x 420 x 410 mm

21 kg

**EX40**

**EY40 and GX390**  
89 x 65 mm

404 cm<sup>3</sup>

**12,0 HP**

8,5 HP

9,5 HP

27 N·m

7,0 L

1,2 L

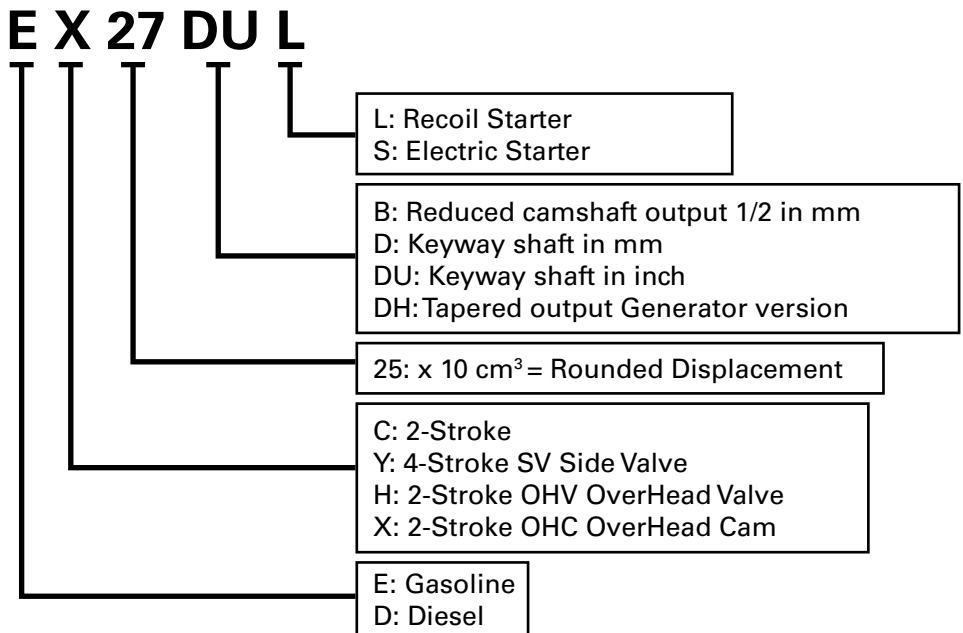
serial

389 x 450 x 443 mm

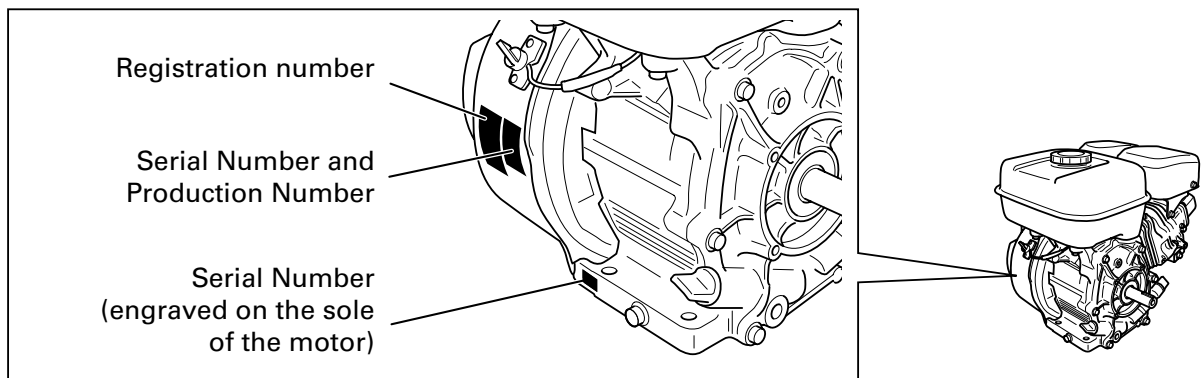
33 kg

# Informations and Diagrams

## Designations

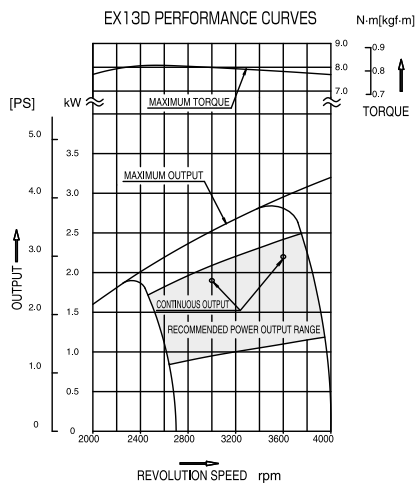
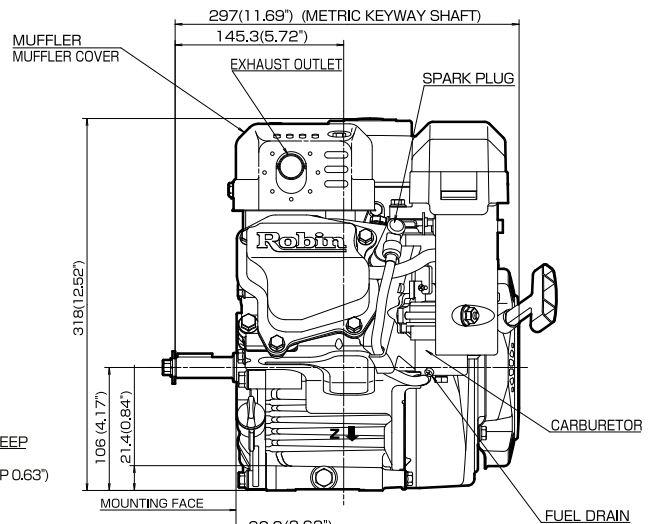
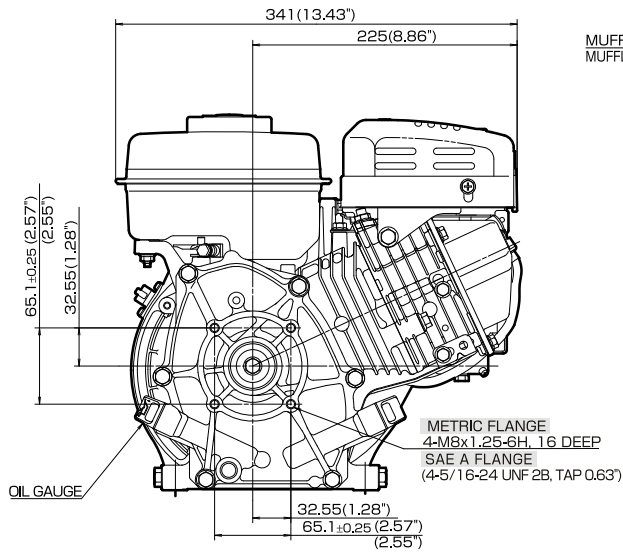


## Numbers

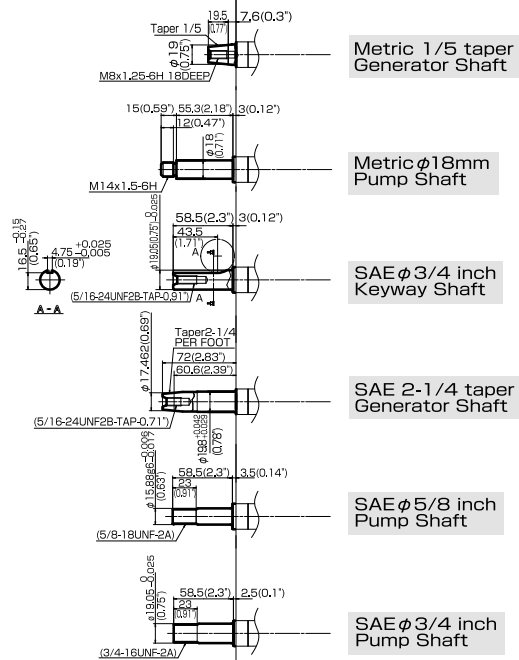
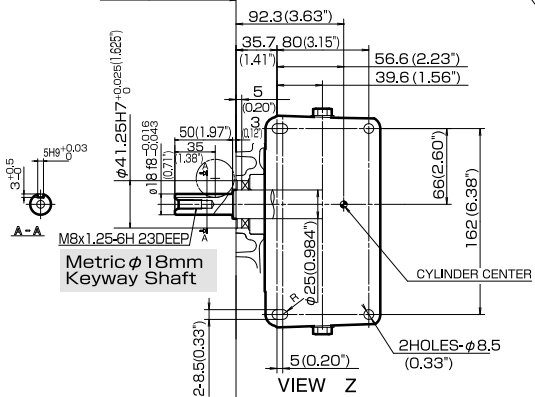




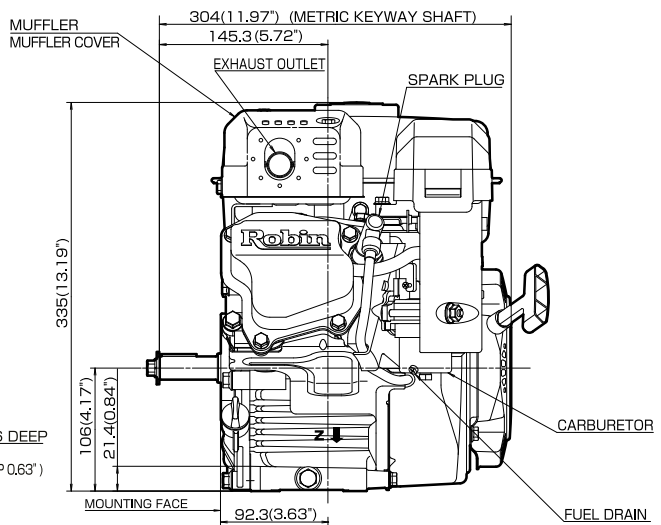
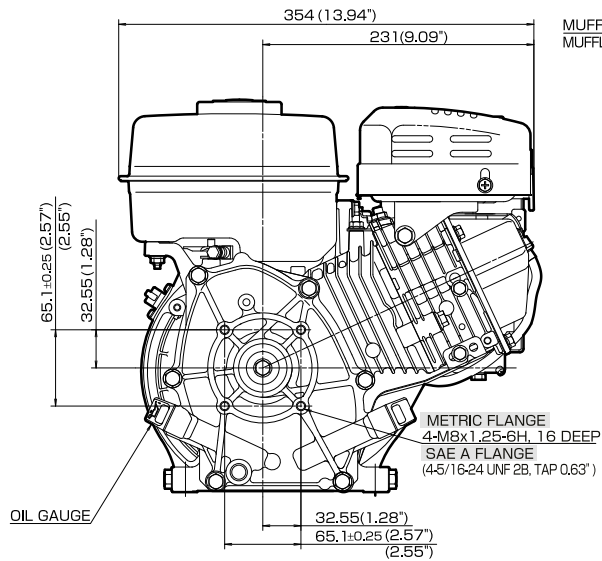
# EX13



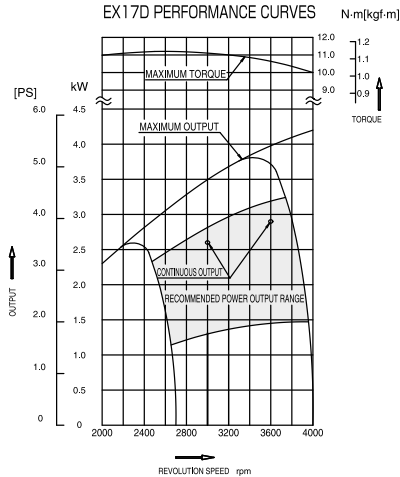
Power curves are corrected to standard sea level atmospheric condition and are developed from test engines equipped with standard air cleaner and muffler.



# EX17

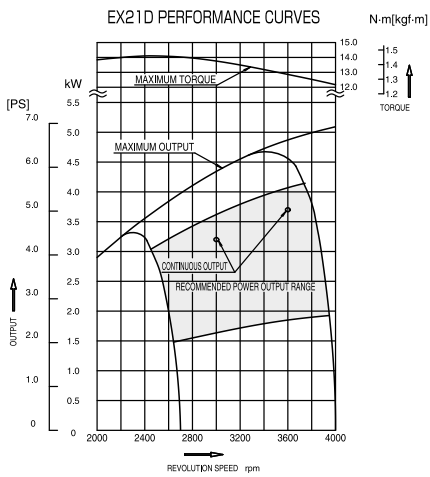
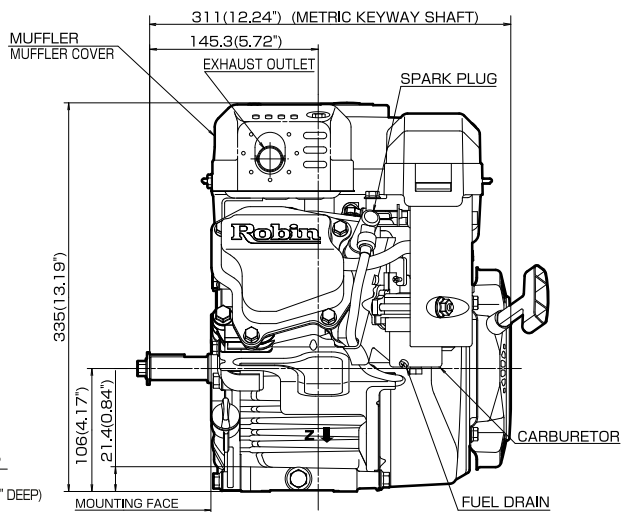
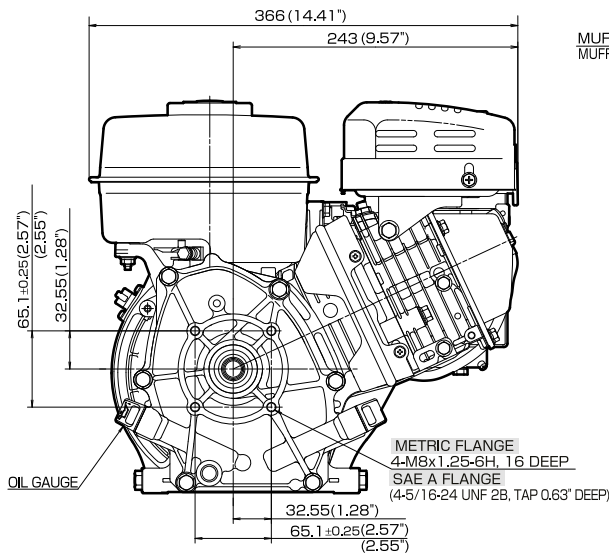


EX17D PERFORMANCE CURVES

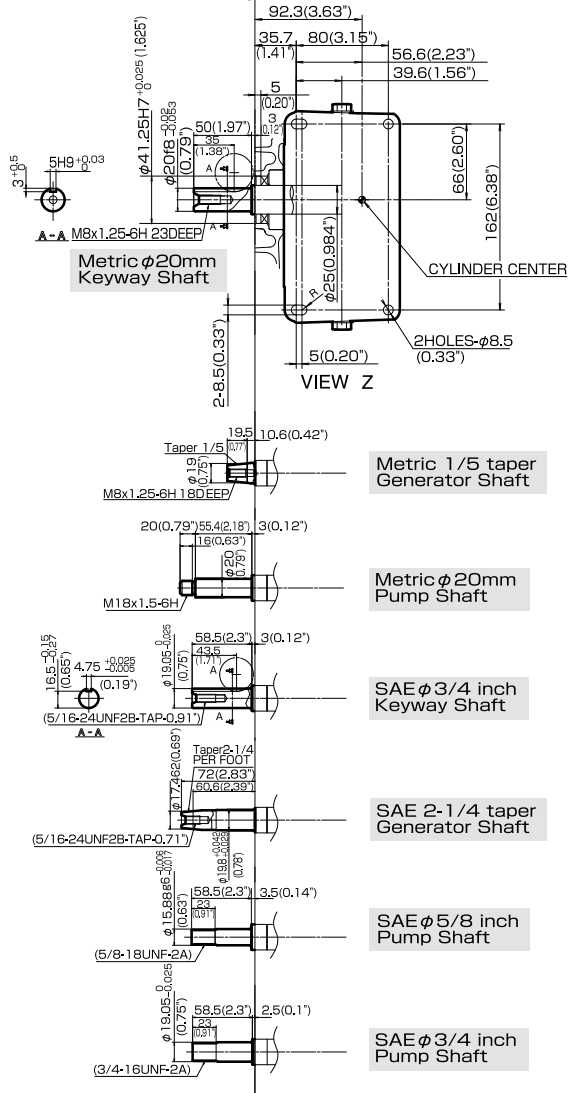


Power curves are corrected to standard sea level atmospheric condition and are developed from test engines equipped with standard air cleaner and muffler.

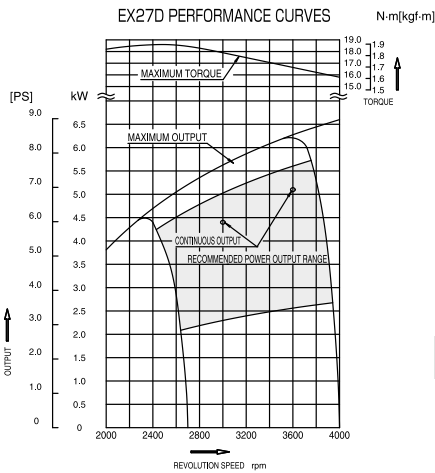
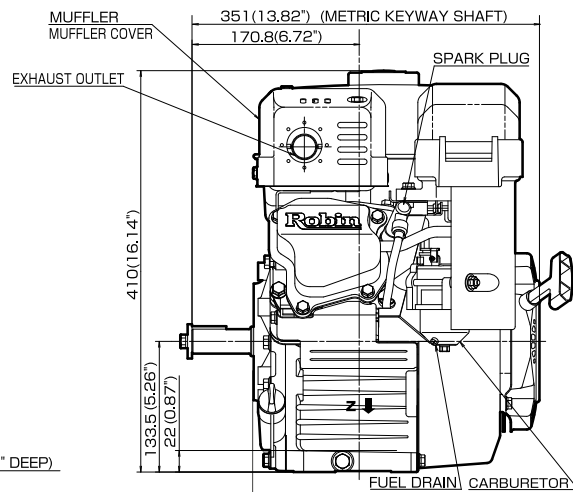
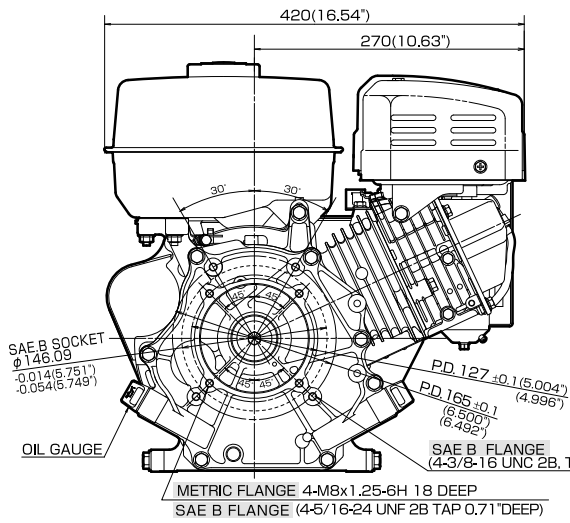
# EX21



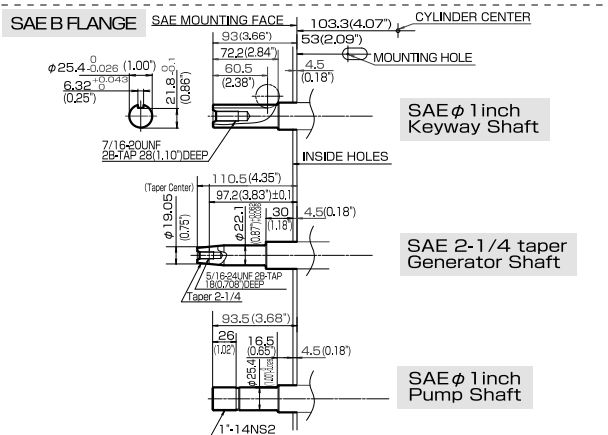
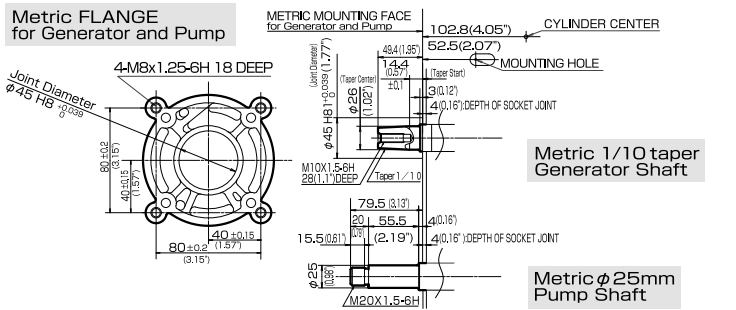
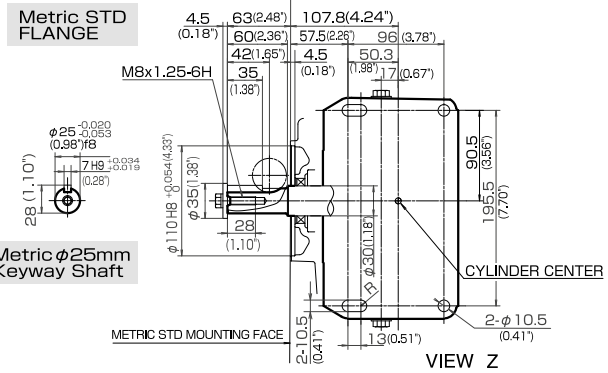
Power curves are corrected to standard sea level atmospheric condition and are developed from test engines equipped with standard air cleaner and muffler.



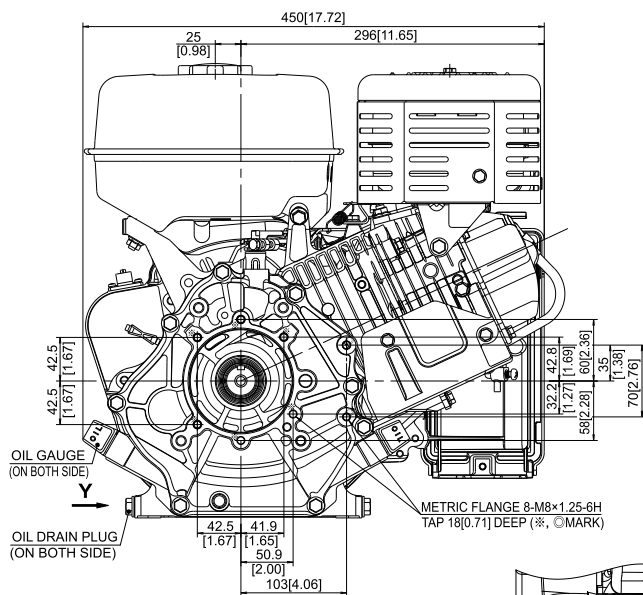
# EX27



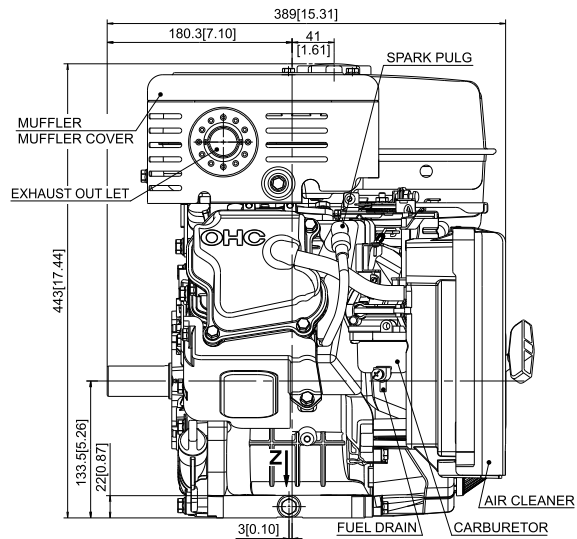
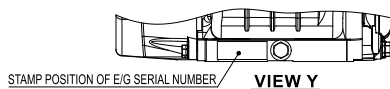
Power curves are corrected to standard sea level atmospheric condition and are developed from test engines equipped with standard air cleaner and muffler.



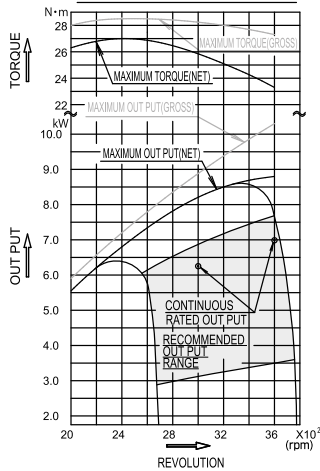
# EX40



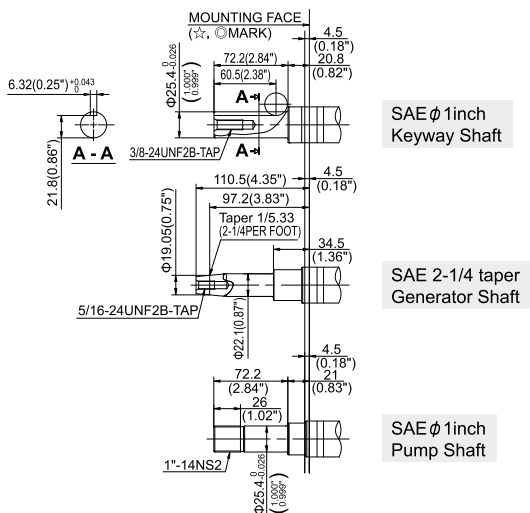
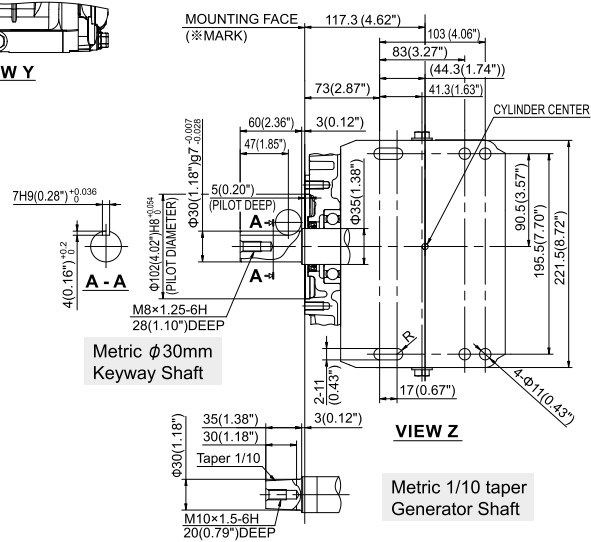
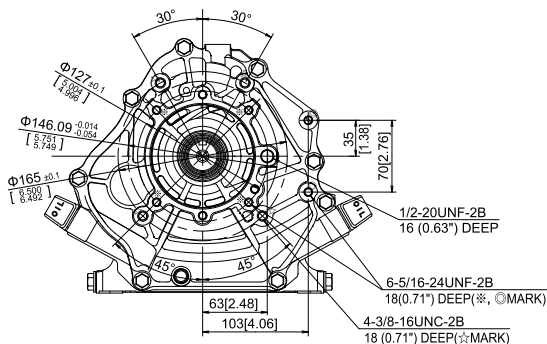
METRIC FLANGE



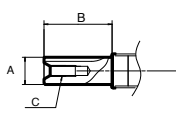
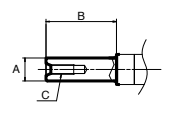
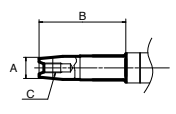
EX40D PERFORMANCE CURVES



NOTE) 1. ABOVE PERFORMANCE DATA ARE CONVERTED INTO STANDARD ATMOSPHERIC CONDITION'S DATA.  
2. ABOVE PERFORMANCE CURVES ARE ESTABLISHED IN ACCORDANCE WITH JIS B-3017.



# Shaft outlets

Type	D			DU (SAE)			DH		
	Keyway shaft (mm)			Keyway shaft (inch)			For genset		
Diagram									
	A	B	C	A	B	C	A	B	C
<b>EX13</b>	18	50	M8	19,05	58	5/16	19,80	72	5/16
<b>EX17</b>	20	50	M8	19,05	58		19,80	72	5/16
<b>EX21</b>	20	50	M8	19,05	58	5/16 24 UNF	19,80	72	5/16
<b>EX27</b>	25	60	M8	25,40	72,2	5/16 24 UNF	22,16	106	5/16
<b>EX40</b>	30	60	M10	25,40	72	3/8	25,40	110	5/16
<b>EX40</b>	25	60	M8						

# Accessories

## Engine oil 10W40



Our 4T semi-synthetic engine lubricants benefit from the latest innovations to provide extra power by reducing engine friction without degrading clutch performance.

Packaging Can 1L, Can 2L

Available individually or in sets of 12.

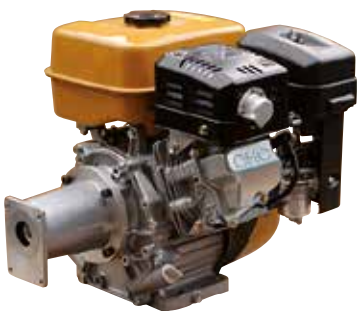
## 4 stroke engine maintenance kit



The maintenance kit consists of an oil can (1 L) recommended for 4-stroke engines, a spark plug and an air filter.

Available individually or in set of 10.

## Hydraulic kit



### Lantern kit and coupling for hydraulic pump

Available for below engines:

- EX13, EX17, EX21(Ref: LAEX17PG1-I);
- EX27 (Ref: LAEX27PG2-I);
- EX40 (Ref: LAEH41PG2-I).

Other types of engines or pumps on request.

## Spare parts



Genuine spare parts guarantee the best performance of your engine.

Why risk compromising the proper functioning of your engines? Genuine Ex Worms spare parts are manufactured to perfectly replace serial mounted parts. They have the same standards quality, safety, durability and performance.

They are essential to the application of the guarantee.

# HISTORY OF INNOVATION FUTURE OF EXCELLENCE



## HEAD OFFICE

ZAC DE LAMIRAULT  
39 RUE DE LAMIRAULT  
77090 COLLÉGIEN - FRANCE

## SALES AND SPARE PARTS DEPARTMENT

TEL. +33 (0) 1 64 76 29 60  
FAX +33 (0) 1 64 76 29 99

## AFTER SALES SERVICE

TEL. +33 (0) 1 64 76 29 80  
FAX +33 (0) 1 64 76 29 88