



PARTS CATALOGUE

MZ360 (7CT1) ZAF,PER

MZ360 (7CT3) IDN,CHN

MZ360 (7CTB) COL,ZAF

MZ360 (7CTC) CHN

1D7CT-400E1

()

2018/9/10

NEWS NO.	DATE	COMMENT
PE0-MP-180009	Sep.,7,2018	MOD:FIG.19 MAGNETO LIST/ILLUSTRATION REVISION

MZ360
PARTS CATALOGUE
©2005 by Yamaha Motor Co., Ltd.
1st edition, November 2005
All rights reserved.
Any reprinting or unauthorized use
without the written permission of
Yamaha Motor Co., Ltd.
is expressly prohibited.
Printed in Japan.

FOREWORD

This Parts Catalogue is related to the parts for the model(s) on the cover page. When you are ordering replacement parts, please refer to this Parts Catalogue and quote both part numbers and part names correctly.

1. Modifications or additions which have been made after the issue of the Parts Catalogue will be announced in the Parts News.

It is advisable that you make the necessary corrections to the Parts Catalogue according to the Parts News.

2. Abbreviations

The following abbreviations are used in this Parts Catalogue.

“UR” Use specified parts number.

“UN” Use as many as needed.

“AP” Alternate Parts

“LM” Locally Made (Parts need to be ordered locally)

“F#” Frame No. (Applicable machine No.)

“O/S” Over Size

3. The number of components for assembly

- Parts, which are to be supplied in an assembly, are listed with a dot (.) in front of the part name as shown below.
- The numeral appearing to the right of each component part indicates the quantity of parts for each assembly unit.

PART NO.	DESCRIPTION	Q'TY	REMARKS
2F5-83310-60	FRONT FLASHER LIGHT ASSY	2	
115-83311-60	.BULB (6V-18W)	1	

4. Applicable colours of graphics are represented in the “REMARKS” as shown below.

PART NO.	DESCRIPTION	Q'TY	REMARKS
2N4-24110-00-X5	FUEL TANK COMP.	2	MXR
3J1-24240-10	.GRAPHIC, FUEL TANK	1	FOR MXR

5. Note that the illustrations for reference in finding parts numbers are not to be used for assembling. When assembling, please use the applicable service manual.

6. The asterisk (*) before a reference number indicates modified items after the first edition.

FOREWORD

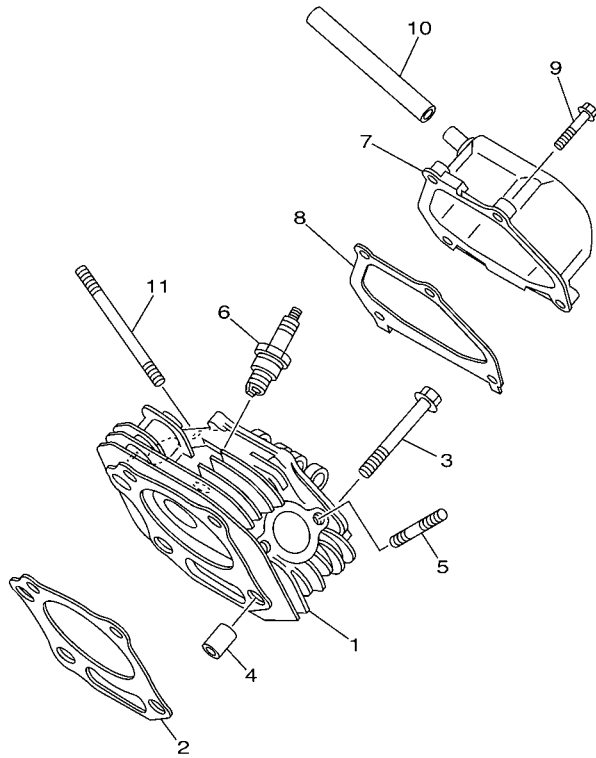
Engine Serial No.

This parts catalogue is related to the parts for the models in the list below.

MODEL CODE	MODEL NAME	SPECIFICATION (OUT LINE)	ENGINE SERIAL NO.
7CT1	MZ360A2B	P.T.O. SHAFT A TYPE, MOUNT FACE B (UNF)	7CT1-1000101
7CT1	MZ360A2C	P.T.O. SHAFT A TYPE, MOUNT FACE B (UNF)	7CT1-2000101
7CT3	MZ360C1T	P.T.O. SHAFT C TYPE, MOUNT FACE A (mm) OIL WARNING LESS (LONG TAIL)	7CT3-1000101
7CT3	MZ360C2B	P.T.O. SHAFT C TYPE, MOUNT FACE A (mm)	7CT3-2000101
7CTB	MZ360K2-60	P.T.O. SHAFT K TYPE, MOUNT FACE B (UNF)	7CTB-1000101
7CTB	MZ360K2-50	P.T.O. SHAFT K TYPE, MOUNT FACE B (UNF)	7CTB-2000101
7CTC	MZ360L2	P.T.O. SHAFT L TYPE, MOUNT FACE A (mm)	7CTC-1000101
7CTC	MZ360L2U	P.T.O. SHAFT L TYPE, MOUNT FACE A (mm) TANK LESS	7CTC-2000101

CONTENTS

CYLINDER	1
CRANKSHAFT	2
CRANKSHAFT & PISTON	3
GOVERNOR 1	4
GOVERNOR 2	5
GOVERNOR 3	6
CAMSHAFT & VALVE	7
AIR SHROUD & STARTER	8
INTAKE 1	9
INTAKE 2	10
INTAKE 3	11
CARBURETOR 1	12
CARBURETOR 2	13
CARBURETOR 3	14
EXHAUST	15
CRANKCASE COVER 1	16
FUEL TANK	17
FUEL TANK 2	18
MAGNETO	20
ELECTRICAL	21
BODY FITTING	22
EMBLEM & LABEL	23
INDEX	
NUMERICAL INDEX	24



7UV2171-9010

FIG. 1 CYLINDER

REF. NO.	PART NO.	DESCRIPTION	7CT1	7CT3	7CTB	7CTC	REMARKS
1	7CT-E1111-00	HEAD, CYLINDER 1	1	1	1	1	
2	7CT-E1181-00	GASKET, CYLINDER HEAD 1	1	1	1	1	
3	95817-10070	BOLT, FLANGE	4	4	4	4	
4	99530-14016	PIN, DOWEL	2	2	2	2	
5	95627-08618	BOLT, STUD	2	2	2	2	
6	94702-00819	PLUG, SPARK (NGK BPR4ES)	1	1	1	1	
7	7CT-E1190-00	COVER, CYLINDER HEAD 1	1	1	1	1	
8	7CT-E1193-00	GASKET, HEAD COVER 1	1	1	1	1	
9	95827-06030	BOLT, FLANGE	4	4	4	4	
10	7CT-E1166-00	PIPE, BREATHER 1	1	1	1	1	
11	95607-08700	BOLT, STUD	2	2	2	2	

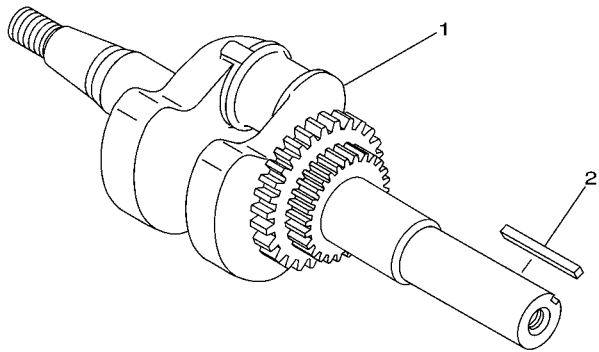
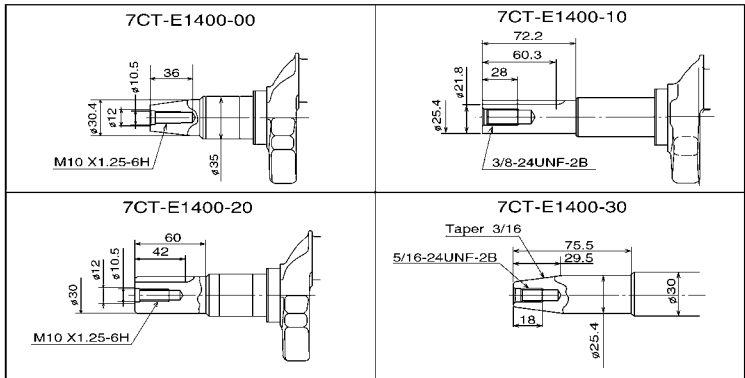
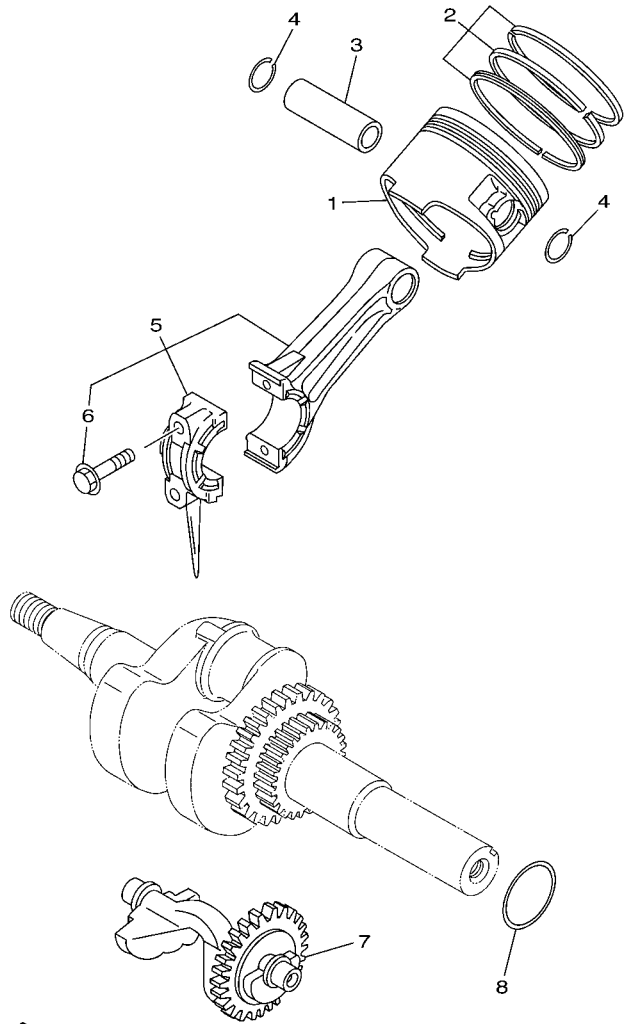


FIG. 2 CRANKSHAFT

REF. NO.	PART NO.	DESCRIPTION	7CT1	7CT3	7CTB	7CTC	REMARKS
1	7CT-E1400-10	CRANKSHAFT ASSY	1				
	7CT-E1400-20	CRANKSHAFT ASSY		1			
	7CT-E1400-30	CRANKSHAFT ASSY			1		
	7CT-E1400-00	CRANKSHAFT ASSY				1	
2	90282-06037	KEY, STRAIGHT (6.3 MM)	1				
	90282-07061	KEY, STRAIGHT (7.0 MM)		1			


7CT1400-D020



7UH1110-0030

FIG. 3 CRANKSHAFT & PISTON

REF. NO.	PART NO.	DESCRIPTION	7CT1	7CT3	7CTB	7CTC	REMARKS
1	7CT-E1631-00-A0	PISTON (STD)	1	1	1	1	
	7CT-E1635-00	PISTON (0.25MM O/S)	1	1	1	1	AP
	7CT-E1636-00	PISTON (0.50MM O/S)	1	1	1	1	AP
2	7CT-E1610-00	PISTON RING SET (STD)	1	1	1	1	
	7CT-E1610-10	PISTON RING SET (0.25MM O/S)	1	1	1	1	AP
	7CT-E1610-20	PISTON RING SET (0.50MM O/S)	1	1	1	1	AP
3	7CT-E1633-00	PIN, PISTON	1	1	1	1	
4	93450-21053	CIRCLIP	2	2	2	2	
5	7CT-E1650-00	CONNECTING ROD ASSY	1	1	1	1	
6	7CT-E1654-00	.BOLT, CONNECTING ROD	2	2	2	2	
7	7CT-E1454-00	WEIGHT 1	1	1	1	1	
8	7CT-E1561-00	SHIM, CRANK 1	1	1	1	1	UN

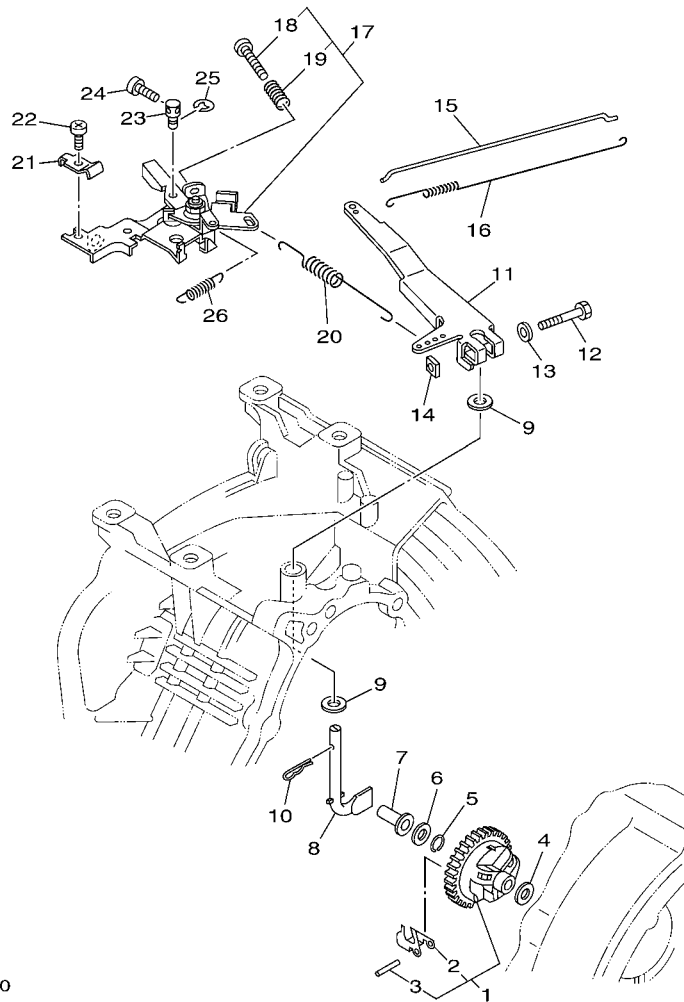
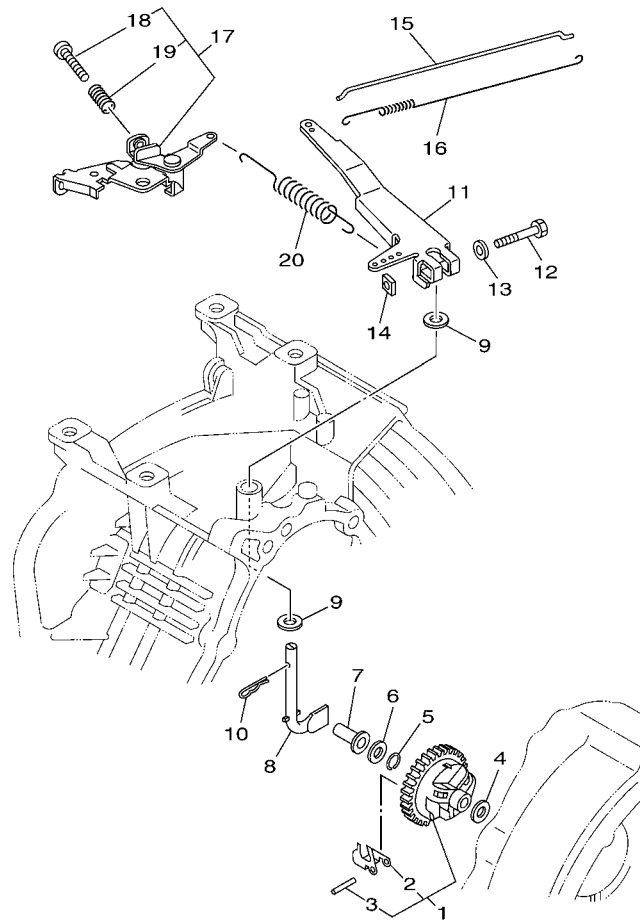


FIG. 4 GOVERNOR 1

REF. NO.	PART NO.	DESCRIPTION	7CT1	7CT3	7CTB	7CTC	REMARKS
1	7CT-E1970-00	FLYWEIGHT SHAFT ASSY.	1	1			
2	7CT-E1913-00	.WEIGHT	3	3			
3	7CN-E1914-00	.SHAFT, WEIGHT	3	3			
4	90201-06842	WASHER, PLATE	1	1			
5	93440-06826	CIRCLIP	1	1			
6	90201-067L0	WASHER, PLATE	1	1			
7	7CT-E1917-00	COLLAR	1	1			
8	7CT-E1922-00	FORK, GOVERNOR	1	1			
9	90201-08092	WASHER, PLATE	2	2			
10	90468-12006	CLIP	1	1			
11	7CT-E1924-10	ARM, GOVERNOR	1	1			
12	97027-06030	BOLT	1	1			
13	92907-06600	WASHER, PLATE	1	1			
14	90173-06802	NUT, SQUARE	1	1			
15	7CT-E1928-00	ROD, LINK	1	1			
16	90506-04458	SPRING, TENSION	1	1			
17	7CT-G1240-00	THROTTLE LEVER COMP.	1	1			
18	98507-05025	.SCREW, PAN HEAD	1	1			
19	90501-090A8	.SPRING, COMPRESSION	1	1			
20	7CT-E1925-10	SPRING, GOVERNOR	1	1			
21	7CT-E1933-00	PLATE, ADJUST	1	1			
22	98507-05012	SCREW, PAN HEAD	1	1			
23	7CT-E1932-00	SETTER, WIRE	1	1			
24	98507-04006	SCREW, PAN HEAD	1	1			
25	99001-04600	CIRCLIP	1	1			
26	90506-07412	SPRING, TENSION	1	1			




 7CT1400-D050

FIG. 5 GOVERNOR 2

REF. NO.	PART NO.	DESCRIPTION	7CT1	7CT3	7CTB	7CTC	REMARKS
1	7CT-E1970-00	FLYWEIGHT SHAFT ASSY.			1		
2	7CT-E1913-00	.WEIGHT			3		
3	7CN-E1914-00	.SHAFT, WEIGHT			3		
4	90201-06842	WASHER, PLATE			1		
5	93440-06826	CIRCLIP			1		
6	90201-067L0	WASHER, PLATE			1		
7	7CT-E1917-00	COLLAR			1		
8	7CT-E1922-00	FORK, GOVERNOR			1		
9	90201-08092	WASHER, PLATE			2		
10	90468-12006	CLIP			1		
11	7CT-E1924-10	ARM, GOVERNOR			1		
12	97027-06030	BOLT			1		
13	92907-06600	WASHER, PLATE			1		
14	90173-06802	NUT, SQUARE			1		
15	7CT-E1928-00	ROD, LINK			1		
16	90506-04458	SPRING, TENSION			1		
17	7CT-E1950-10	ADJUST PLATE COMP.			1		
18	98507-05030	.SCREW, PAN HEAD			1		
19	90501-090A8	.SPRING, COMPRESSION			1		
20	7CT-E1925-20	SPRING, GOVERNOR			1		

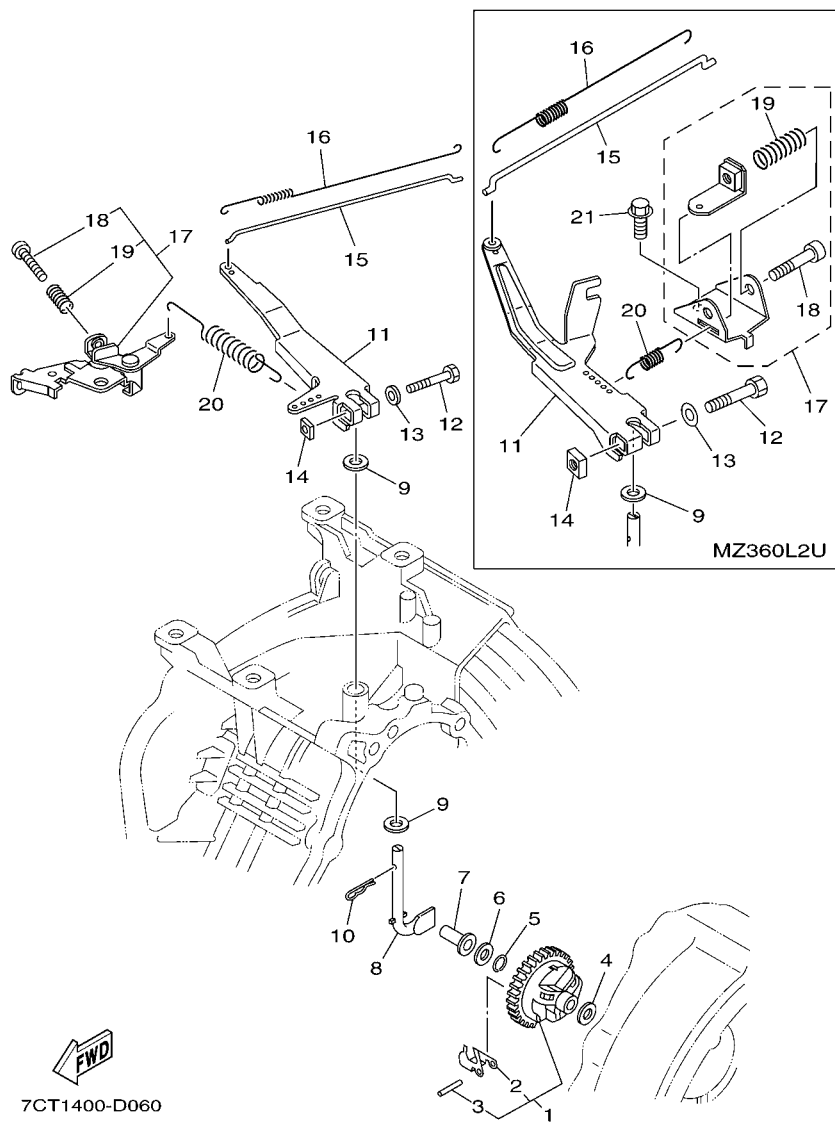
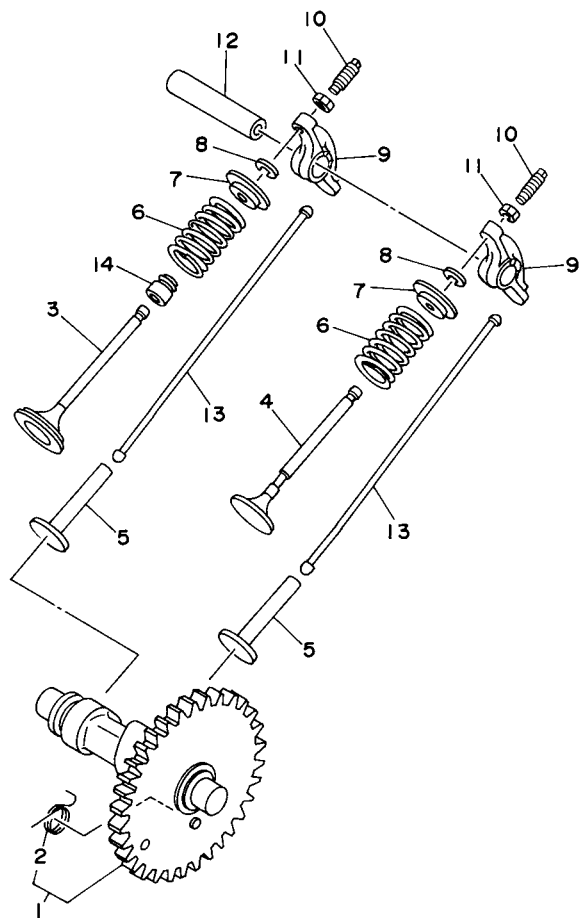


FIG. 6 GOVERNOR 3

REF. NO.	PART NO.	DESCRIPTION	7CT1	7CT3	7CTB	7CTC	REMARKS
1	7CT-E1970-00	FLYWEIGHT SHAFT ASSY.				1	
2	7CT-E1913-00	.WEIGHT				3	
3	7CN-E1914-00	.SHAFT, WEIGHT				3	
4	90201-06842	WASHER, PLATE				1	
5	93440-06826	CIRCLIP				1	
6	90201-067L0	WASHER, PLATE				1	
7	7CT-E1917-00	COLLAR				1	
8	7CT-E1922-00	FORK, GOVERNOR				1	
9	90201-08092	WASHER, PLATE				2	
10	90468-12006	CLIP				1	
11	7CT-E1924-10	ARM, GOVERNOR				1	UR MZ360L2
	7CT-E1901-00	GOVERNOR ASSY				1	UR MZ360L2U
12	97027-06030	BOLT				1	
13	92907-06600	WASHER, PLATE				1	
14	90173-06802	NUT, SQUARE				1	
15	7CT-E1928-00	ROD, LINK				1	
16	90506-04458	SPRING, TENSION				1	
17	7CT-E1950-10	ADJUST PLATE COMP.				1	UR MZ360L2
	7CN-E1950-00	ADJUST PLATE COMP.				1	UR MZ360L2U
18	98507-05030	.SCREW, PAN HEAD				1	UR MZ360L2
	98507-06035	.SCREW, PAN HEAD				1	UR MZ360L2U
19	90501-090A8	.SPRING, COMPRESSION				1	UR MZ360L2
	90501-10812	.SPRING, COMPRESSION				1	UR MZ360L2U
20	7CT-E1925-20	SPRING, GOVERNOR				1	UR MZ360L2
	7CT-E1925-00	SPRING, GOVERNOR				1	UR MZ360L2U
21	95807-06012	BOLT, FLANGE				1	FOR MZ360L2U

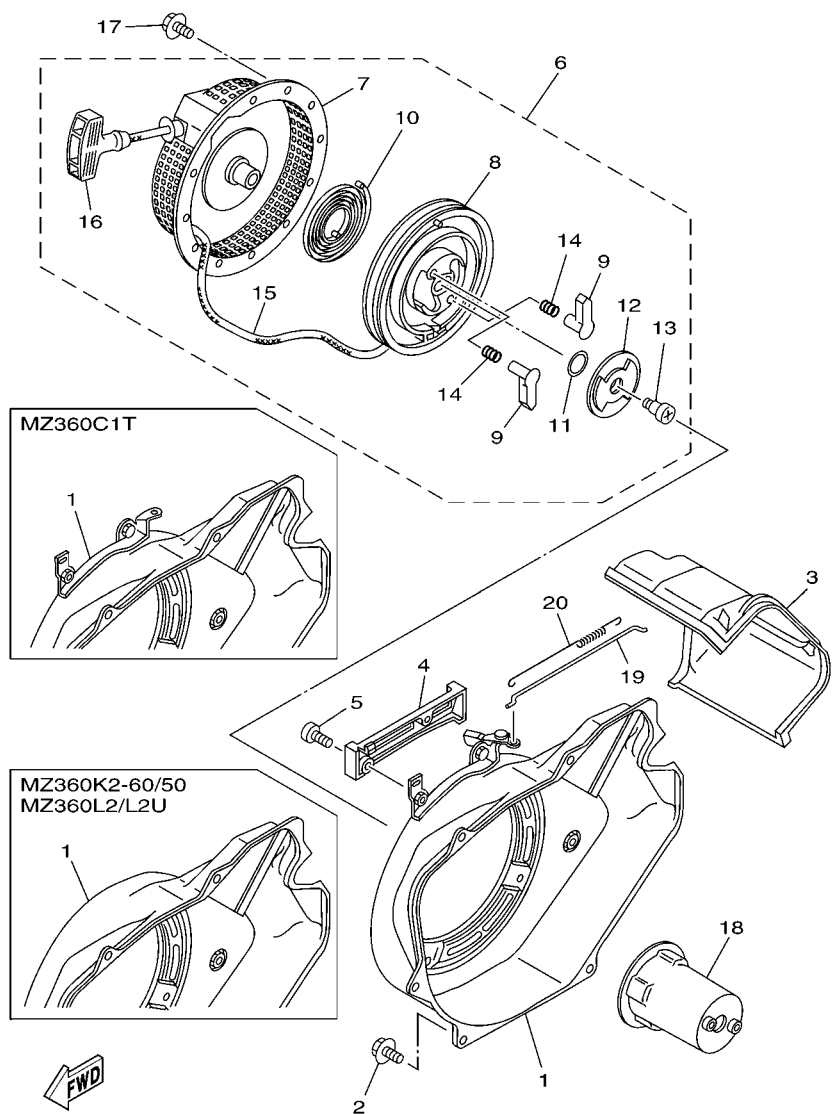
FIG. 7 CAMSHAFT & VALVE



FWD
7RGI400-6040

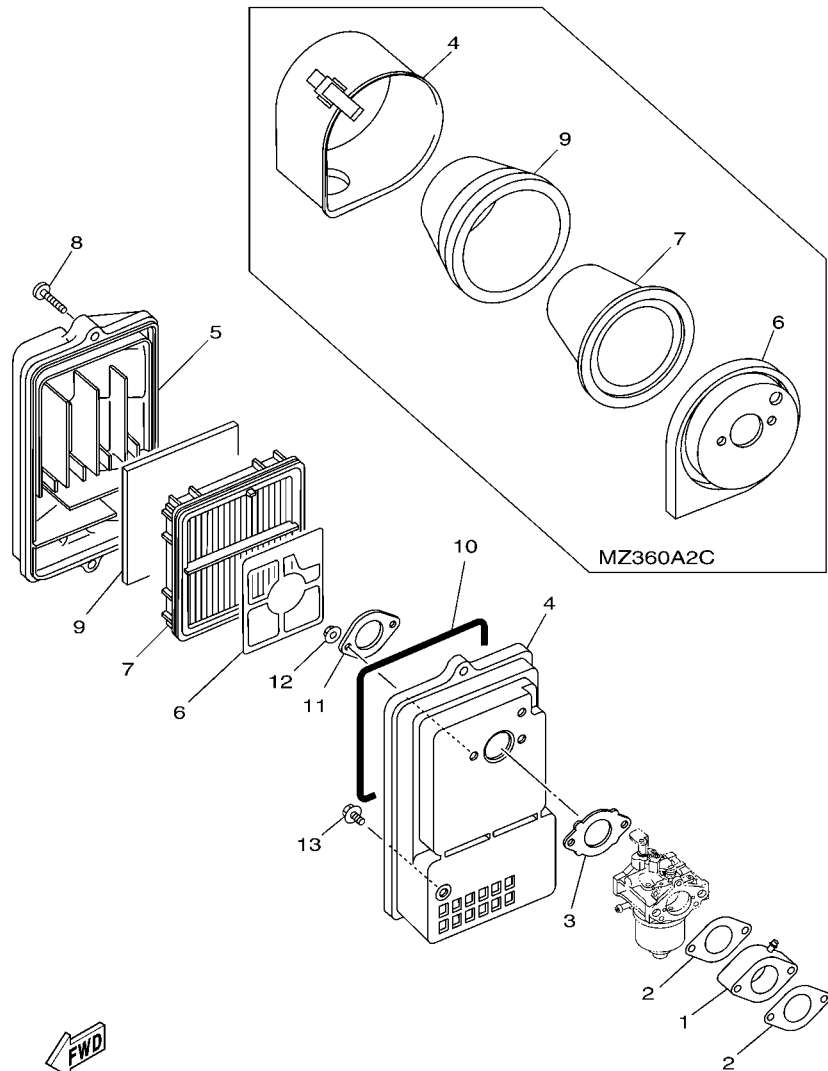
REF. NO.	PART NO.	DESCRIPTION	7CT1	7CT3	7CTB	7CTC	REMARKS
1	7CT-E2170-00	CAMSHAFT ASSY 1	1	1	1	1	
2	7CT-E2287-00	.SPRING, DECOMPRESSION	1	1	1	1	
3	7CT-E2111-00	VALVE, INTAKE	1	1	1	1	
4	7CT-E2121-00	VALVE, EXHAUST	1	1	1	1	
5	7CT-E2153-00	LIFTER, VALVE	2	2	2	2	
6	90501-264A9	SPRING, COMPRESSION	2	2	2	2	
7	7CT-E2117-00	RETAINER, VALVE SPRING	2	2	2	2	
8	7CT-E2118-00	COTTER, VALVE	2	2	2	2	
9	7CT-E2151-00	ARM, VALVE ROCKER	2	2	2	2	
10	7CT-E2159-00	SCREW, VALVE ADJUSTING	2	2	2	2	
11	90170-05302	NUT	2	2	2	2	
12	7CT-E2156-00	SHAFT, ROCKER 2	1	1	1	1	
13	7CT-E2154-00	ROD, VALVE PUSH	2	2	2	2	
14	7CT-E2119-00	SEAL, VALVE STEM	1	1	1	1	

FIG. 8 AIR SHROUD & STARTER



7CT1400-D080

REF. NO.	PART NO.	DESCRIPTION	7CT1	7CT3	7CTB	7CTC	REMARKS
1	7CT-E2621-00	CASE, FAN	1	1			EXCEPT MZ360C1T
	7CT-E2621-20	CASE, FAN		1			FOR MZ360C1T
	7CT-E2621-10	CASE, FAN			1	1	REFER TO ILLUSTR.
2	95807-06012	BOLT, FLANGE	5	5	5	5	
3	7CT-E2651-00	AIR SHROUD, CYLINDER 1	1	1	1	1	
4	7CT-G1266-00	COVER, LINK	1	1			
5	98507-05010	SCREW, PAN HEAD	2	2			
6	7CT-E5710-00	STARTER ASSY	1	1	1	1	
7	7CT-15711-00	.CASE, STARTER	1	1	1	1	
8	7CT-15714-00	.DRUM, SHEAVE	1	1	1	1	
9	7CT-15741-00	.PAWL, DRIVE	2	2	2	2	
10	7CT-15713-00	.SPRING, STARTER	1	1	1	1	
11	7CN-15715-00	.SPRING, FRICTION	1	1	1	1	
12	7CT-15716-00	.PLATE, DRIVE	1	1	1	1	
13	7CN-15793-00	.SCREW	1	1	1	1	
14	7CN-15743-00	.SPRING, RETURN	2	2	2	2	
15	7CT-15751-00	.WIRE, STARTER	1	1	1	1	
16	7CN-15755-00	.HANDLE, STARTER	1	1	1	1	
17	95807-06008	BOLT, FLANGE	4	4	4	4	
18	7CT-E5723-00	PULLEY, STARTER	1	1	1	1	
19	7CT-G1256-00	ROD, CHOKE 1	1	1			EXCEPT MZ360C1T
20	90506-04421	SPRING, TENSION	1	1			EXCEPT MZ360C1T



7CT1400-D090

FIG. 9 INTAKE 1

REF. NO.	PART NO.	DESCRIPTION	7CT1	7CT3	7CTB	7CTC	REMARKS
1	7CT-E3596-00	JOINT, CARBURETOR 2	1				
2	7CT-E3557-00	GASKET	2				
3	7CT-E3567-00	GASKET	1				
4	7CT-E4411-00	CASE, AIR CLEANER 1	1				UR MZ360A2B
	7RK-14411-20	CASE, AIR CLEANER 1	1				UR MZ360A2C
5	7CT-E4412-00	CAP, CLEANER CASE 1	1				FOR MZ360A2B
6	7CT-E4468-00	PLATE,ELEMENT FITTING	1				UR MZ360A2B
	7RK-14468-20	PLATE,ELEMENT FITTING	1				UR MZ360A2C
7	7CT-E4451-10	ELEMENT, AIR CLEANER	1				UR MZ360A2B
	7RK-14451-20	ELEMENT, AIR CLEANER	1				UR MZ360A2C
8	7CT-E4429-00	SCREW	2				FOR MZ360A2B
9	7CT-E4461-10	ELEMENT, AIR CLEANER 2	1				UR MZ360A2B
	7RK-14461-20	ELEMENT, AIR CLEANER 2	1				UR MZ360A2C
10	7CT-E4462-10	SEAL	1				FOR MZ360A2B
11	7CT-E4477-00	PLATE	1				FOR MZ360A2B
12	95707-08500	NUT, FLANGE	2				
13	95807-06016	BOLT, FLANGE	1				FOR MZ360A2B

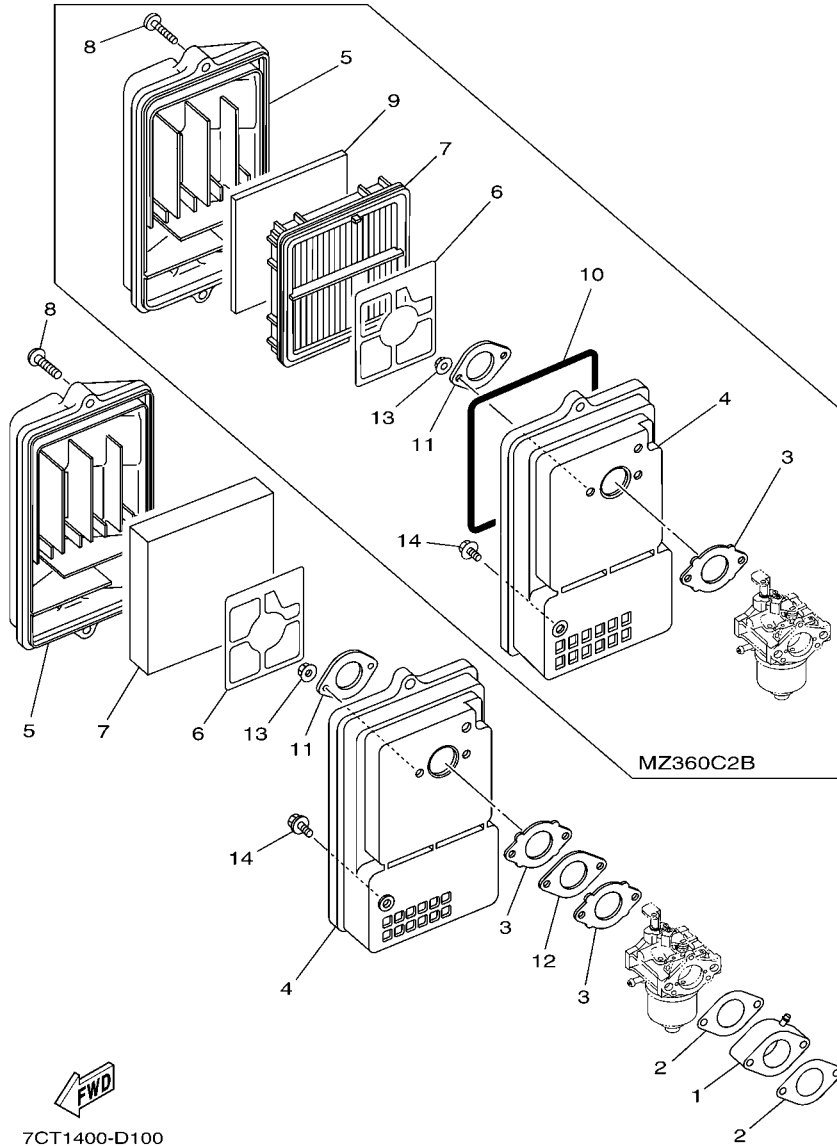


FIG. 10 INTAKE 2

REF. NO.	PART NO.	DESCRIPTION	7CT1	7CT3	7CTB	7CTC	REMARKS
1	7CT-E3596-00	JOINT, CARBURETOR 2		1			
2	7CT-E3557-00	GASKET		2			
3	7CT-E3567-00	GASKET		2			UR MZ360C1T
	7CT-E3567-00	GASKET		1			UR MZ360C2B
4	7CT-E4411-00	CASE, AIR CLEANER 1		1			
5	7CT-E4412-00	CAP, CLEANER CASE 1		1			
6	7CT-E4468-00	PLATE,ELEMENT FITTING		1			
7	7CT-E4451-00	ELEMENT, AIR CLEANER		1			UR MZ360C1T
	7CT-E4451-10	ELEMENT, AIR CLEANER		1			UR MZ360C2B
8	7CT-E4429-00	SCREW		2			
9	7CT-E4461-10	ELEMENT, AIR CLEANER 2		1			FOR MZ360C2B
10	7CT-E4462-10	SEAL		1			FOR MZ360C2B
11	7CT-E4477-00	PLATE		1			
12	7CT-E4477-10	PLATE		1			FOR MZ360C2B
13	95707-08500	NUT, FLANGE		2			
14	95807-06016	BOLT, FLANGE		1			UR MZ360C1T
	95807-06020	BOLT, FLANGE		1			UR MZ360C2B

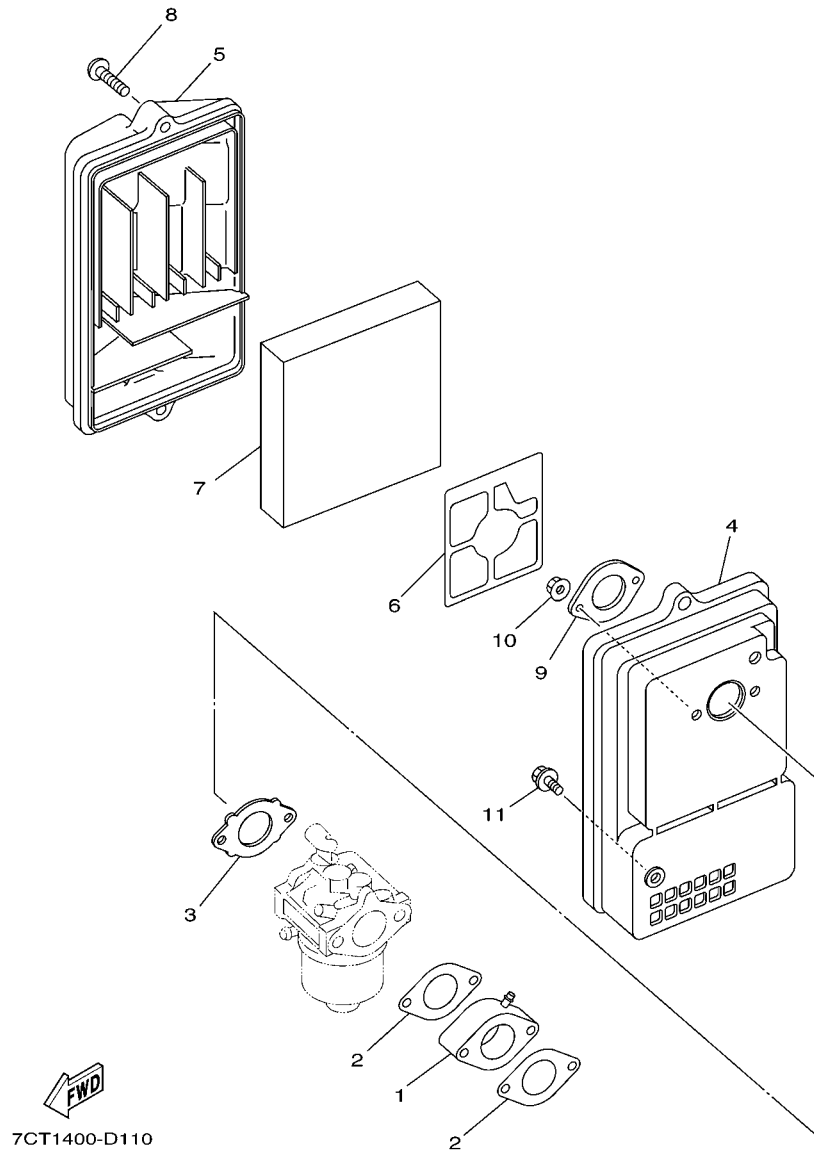
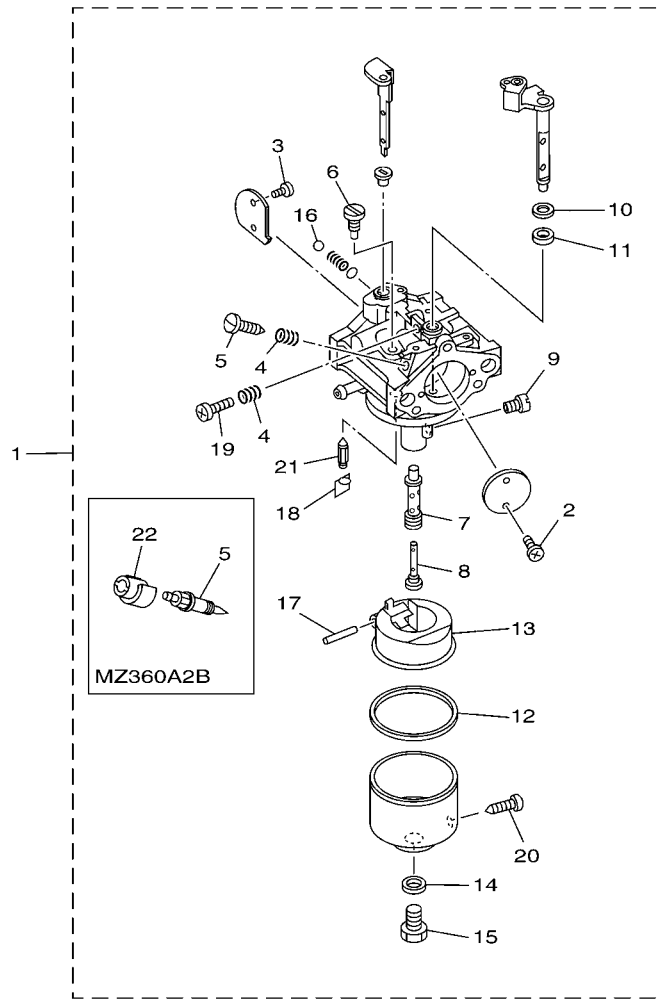


FIG. 11 INTAKE 3

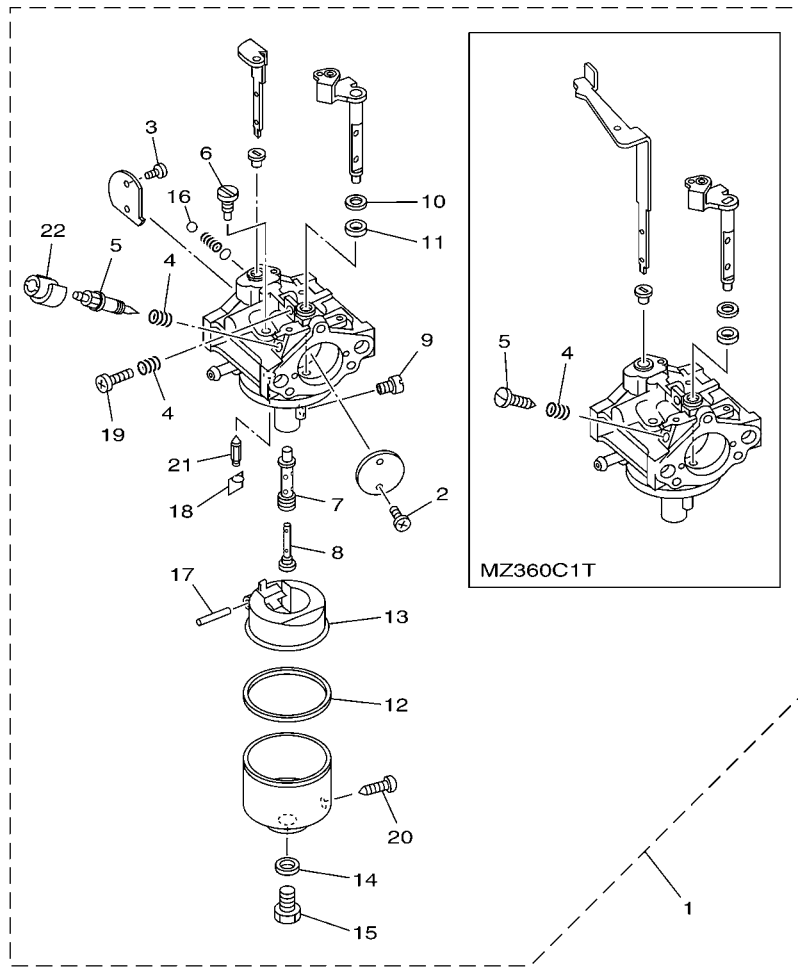
REF. NO.	PART NO.	DESCRIPTION	7CT1	7CT3	7CTB	7CTC	REMARKS
1	7CT-E3596-00	JOINT, CARBURETOR 2			1	1	
2	7CT-E3557-00	GASKET			2	2	
3	7CT-E3567-00	GASKET			1	1	
4	7CT-E4411-00	CASE, AIR CLEANER 1			1	1	
5	7CT-E4412-00	CAP, CLEANER CASE 1			1	1	
6	7CT-E4468-00	PLATE,ELEMENT FITTING			1	1	
7	7CT-E4451-00	ELEMENT, AIR CLEANER			1	1	
8	7CT-E4429-00	SCREW			2	2	
9	7CT-E4477-00	PLATE			1	1	
10	95707-08500	NUT, FLANGE			2	2	
11	95807-06016	BOLT, FLANGE			1	1	



7CT1400-D120

FIG. 12 CARBURETOR 1

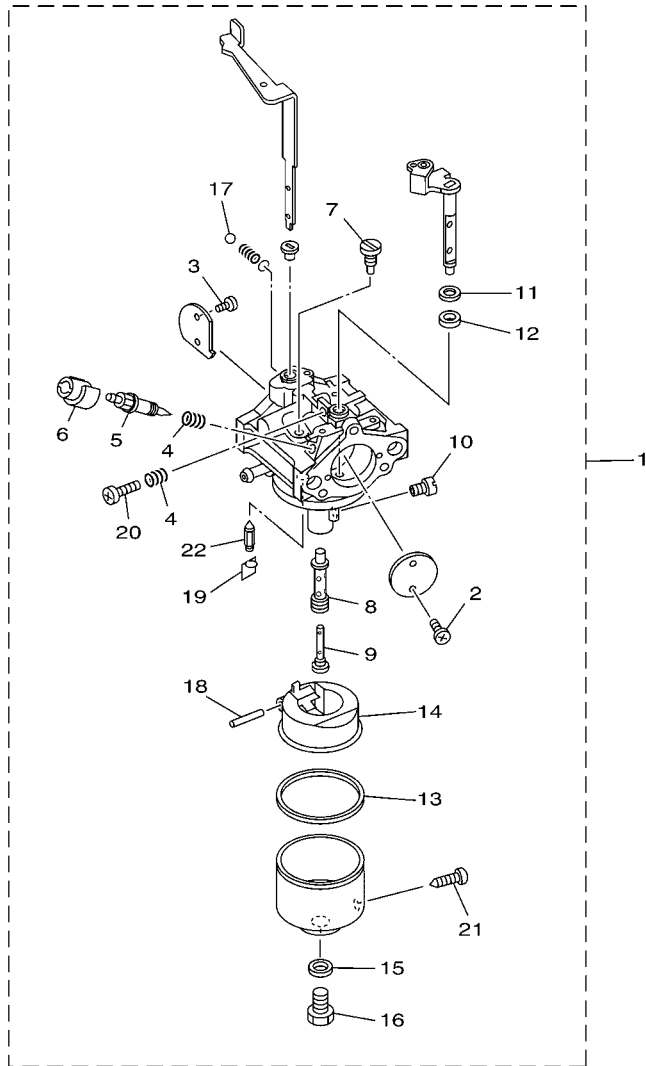
REF. NO.	PART NO.	DESCRIPTION	7CT1	7CT3	7CTB	7CTC	REMARKS
1	7CT-E4101-40	CARBURETOR ASSY 1	1				UR MZ360A2B
	7CT-E4101-50	CARBURETOR ASSY 1	1				UR MZ360A2C
2	7RH-14216-00	.SCREW	2				
3	7RH-14486-00	.SCREW, ROD	2				
4	73A-14212-00	.SPRING	2				
5	7NJ-14211-00	.SCREW, PILOT ADJUSTING	1				UR MZ360A2B
	7LV-14211-00	.SCREW, PILOT ADJUSTING	1				UR MZ360A2C
6	620-14142-57-A0	.JET, PILOT (#57.5)	1				UR MZ360A2B
	620-14142-57	.JET, PILOT (#57.5)	1				UR MZ360A2C
7	7RK-1495N-6A	.NOZZLE, MAIN	1				
8	73A-1414G-00	.PIPE, MAIN BREED	1				
9	3G2-14231-21-A0	.JET, MAIN (#105)	1				UR MZ360A2B
	3G2-1423A-70	.JET, MAIN (#97.5)	1				UR MZ360A2C
10	4CW-14117-00	.WASHER, PLUG SCREW	1				
11	6K8-14597-10	.WASHER	1				
12	796-14184-00	.GASKET, FLOAT CHAMBER	1				
13	JN6-14185-00	.FLOAT	1				
14	127-14198-00	.GASKET	1				
15	7RG-14162-00	.BOLT, HOLDING	1				
16	93501-08001	.BALL	1				
17	22F-14186-00	.PIN, FLOAT	1				
18	7EG-14159-00	.CLIP	1				
19	1WG-14922-00	.SCREW, THROTTLE	1				
20	7E1-14191-00	.PLUG, DRAIN	1				
21	73A-14150-00	.NEEDLE ASSY	1				
22	7LV-14118-00	.CAP	1				FOR MZ360A2B




7CT1400-D130

FIG. 13 CARBURETOR 2

REF. NO.	PART NO.	DESCRIPTION	7CT1	7CT3	7CTB	7CTC	REMARKS
1	7CT-E4101-30	CARBURETOR ASSY 1		1			UR MZ360C1T
	7CT-E4101-40	CARBURETOR ASSY 1		1			UR MZ360C2B
2	7RH-14216-00	.SCREW		2			
3	7RH-14486-00	.SCREW, ROD		2			
4	73A-14212-00	.SPRING		2			
5	7LV-14211-00	.SCREW, PILOT ADJUSTING		1			UR MZ360C1T
	7NJ-14211-00	.SCREW, PILOT ADJUSTING		1			UR MZ360C2B
6	620-1414J-24	.JET, PILOT (#61.3)		1			UR MZ360C1T
	620-14142-57-A0	.JET, PILOT (#57.5)		1			UR MZ360C2B
7	7RK-1495N-6A	.NOZZLE, MAIN		1			
8	73A-1414G-00	.PIPE, MAIN BREED		1			
9	3G2-1423E-42	.JET, MAIN (#106.3)		1			UR MZ360C1T
	3G2-14231-21-A0	.JET, MAIN (#105)		1			UR MZ360C2B
10	4CW-14117-00	.WASHER, PLUG SCREW		1			
11	7X9-14239-00	.SEAL		1			UR MZ360C1T
	6K8-14597-10	.WASHER		1			UR MZ360C2B
12	796-14184-00	.GASKET, FLOAT CHAMBER		1			
13	JN6-14185-00	.FLOAT		1			
14	127-14198-00	.GASKET		1			
15	7RG-14162-00	.BOLT, HOLDING		1			
16	93501-08001	.BALL		1			
17	22F-14186-00	.PIN, FLOAT		1			
18	7EG-14159-00	.CLIP		1			
19	1WG-14922-00	.SCREW, THROTTLE		1			
20	7E1-14191-00	.PLUG, DRAIN		1			
21	73A-14150-00	.NEEDLE ASSY		1			
22	7LV-14118-00	.CAP		1			FOR MZ360C2B

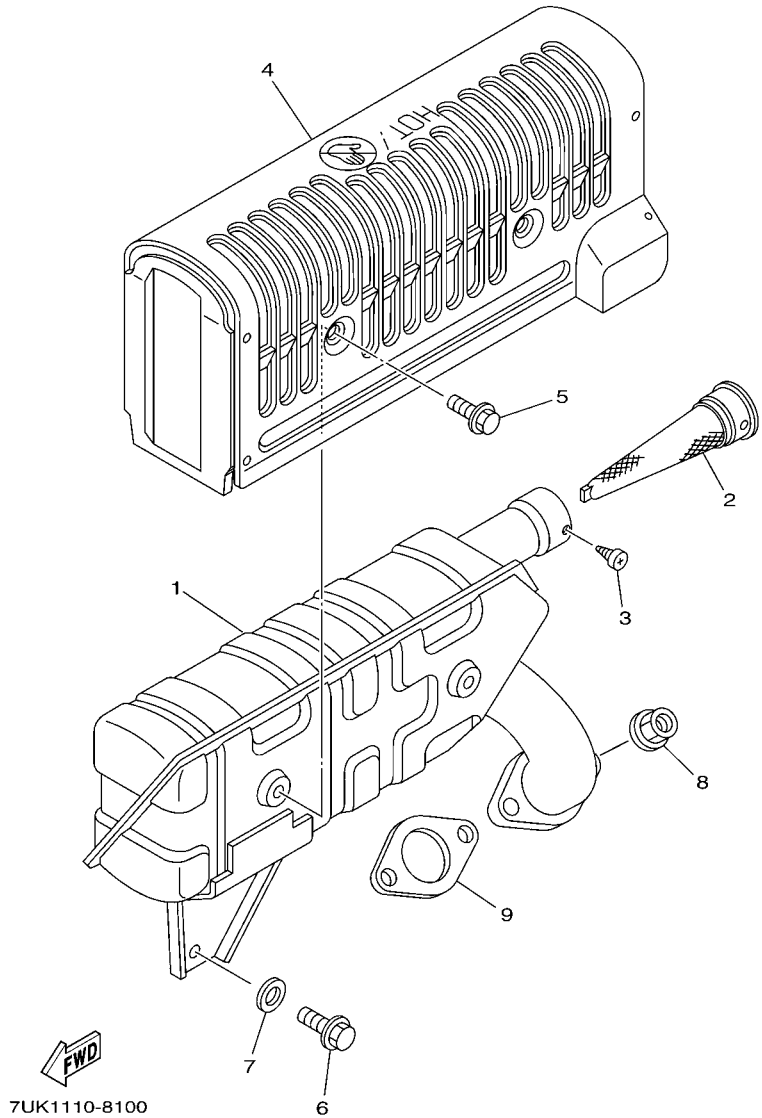


7CT1400-D140

FIG. 14 CARBURETOR 3

REF. NO.	PART NO.	DESCRIPTION	7CT1	7CT3	7CTB	7CTC	REMARKS
1	7CT-E4101-10	CARBURETOR ASSY 1			1	1	
2	7RH-14216-00	.SCREW			2	2	
3	7RH-14486-00	.SCREW, ROD			2	2	
4	73A-14212-00	.SPRING			2	2	
5	7NJ-14211-00	.SCREW, PILOT ADJUSTING			1	1	
6	7LV-14118-00	.CAP			1	1	
7	620-14142-57-A0	.JET, PILOT (#57.5)			1	1	
8	7RK-1495N-6B	.NOZZLE, MAIN			1	1	
9	73A-1414G-00	.PIPE, MAIN BREED			1	1	
10	3G2-14231-21-A0	.JET, MAIN (#105)			1	1	
11	4CW-14117-00	.WASHER, PLUG SCREW			1	1	
12	6K8-14597-10	.WASHER			1	1	
13	796-14184-00	.GASKET, FLOAT CHAMBER			1	1	
14	JN6-14185-00	.FLOAT			1	1	
15	127-14198-00	.GASKET			1	1	
16	7RG-14162-00	.BOLT, HOLDING			1	1	
17	93501-08001	.BALL			1	1	
18	22F-14186-00	.PIN, FLOAT			1	1	
19	7EG-14159-00	.CLIP			1	1	
20	1WG-14922-00	.SCREW, THROTTLE			1	1	
21	7E1-14191-00	.PLUG, DRAIN			1	1	
22	73A-14150-00	.NEEDLE ASSY			1	1	

FIG. 15 EXHAUST



REF. NO.	PART NO.	DESCRIPTION	7CT1	7CT3	7CTB	7CTC	REMARKS
1	7CT-E4711-00	MUFFLER 1	1	1	1	1	
2	7CT-E4786-00	ARRESTER, SPARK	1	1	1	1	
3	97707-40506	SCREW, TAPPING	1	1	1	1	
4	7CT-E4708-00	PROTECTOR ASSY	1	1	1	1	
5	95827-06008	BOLT, FLANGE	4	4	4	4	
6	95827-08016	BOLT, FLANGE	1	1	1	1	
7	90201-086A3	WASHER, PLATE	1	1	1	1	
8	95307-08600	NUT	2	2	2	2	
9	7CT-E4613-00	GASKET, EXHAUST PIPE	1	1	1	1	
<hr/>							
<hr/>							
<hr/>							
<hr/>							
<hr/>							
<hr/>							
<hr/>							
<hr/>							
<hr/>							
<hr/>							
<hr/>							

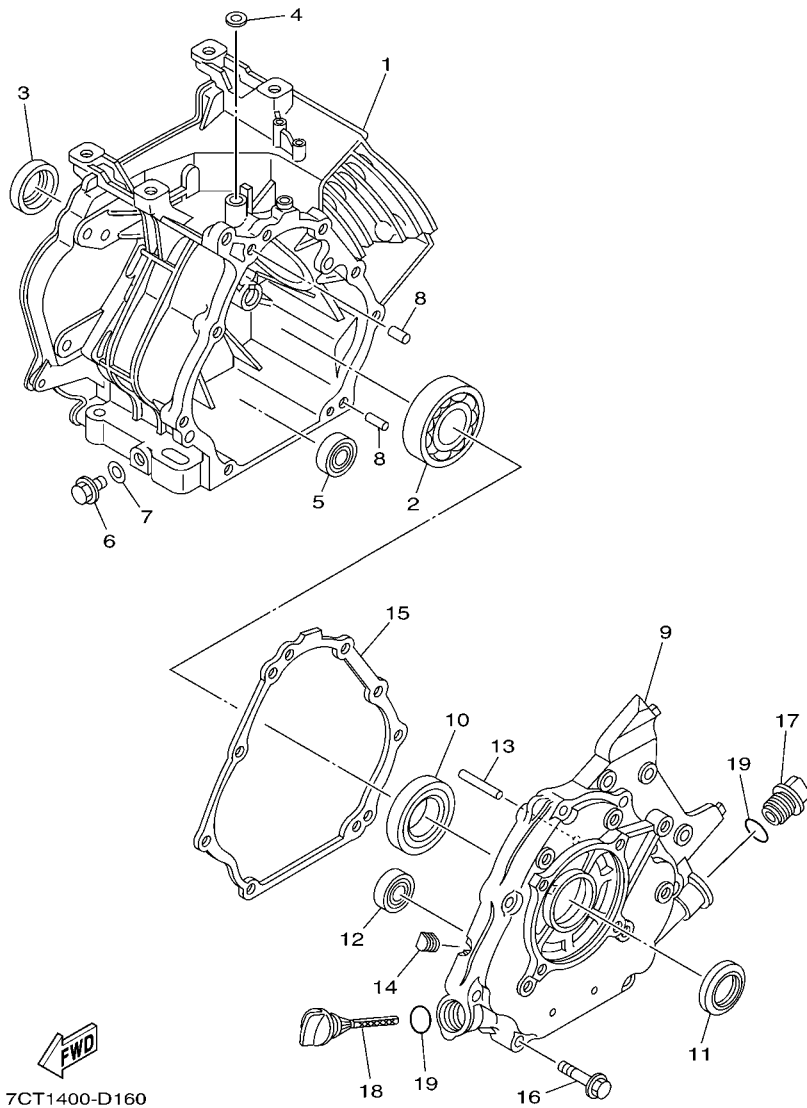
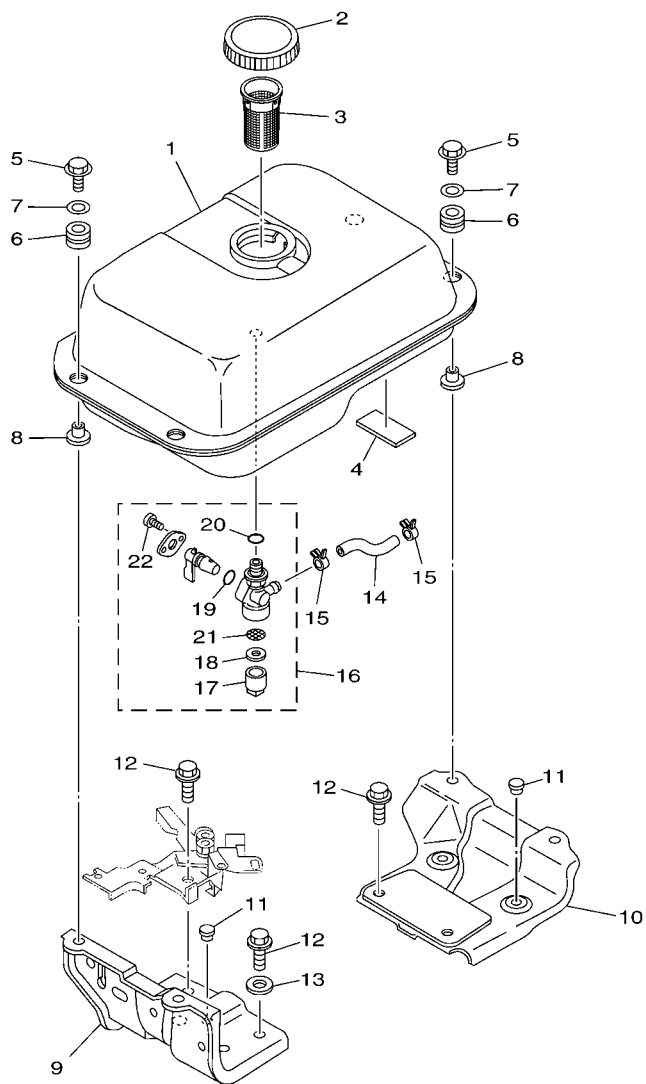


FIG. 16 CRANKCASE COVER 1

REF. NO.	PART NO.	DESCRIPTION	7CT1	7CT3	7CTB	7CTC	REMARKS
1	7CT-E5111-00	CRANKCASE 1	1	1	1	1	
2	93306-307Y1	BEARING	1	1	1	1	
3	93102-35802	OIL SEAL	1	1	1	1	
4	93109-08803	OIL SEAL	1	1	1	1	
5	93306-252X4	BEARING	1	1	1	1	
6	90340-12097	PLUG, STRAIGHT SCREW	2	2	2	2	
7	7CT-E1198-00	GASKET	2	2	2	2	
8	99530-08016	PIN, DOWEL	2	2	2	2	
9	7CT-E5411-10	COVER, CRANKCASE 1	1	1	1	1	
10	93306-207Y0	BEARING	1	1	1	1	
11	93102-35802	OIL SEAL	1	1	1	1	
12	93306-252X4	BEARING	1	1	1	1	
13	7CT-E1971-00	SHAFT, FLYWEIGHT	1	1	1	1	
14	90338-06800	PLUG		1			
15	7CT-E5451-00	GASKET, CRANKCASE COVER 1	1	1	1	1	
16	95817-08045	BOLT, FLANGE	8	8	8	8	
17	7CN-E5363-00	PLUG, OIL	1	1	1	1	
18	7CT-E5362-00	PLUG, OIL LEVEL	1	1	1	1	
19	93210-22805	O-RING	2	2	2	2	

FIG. 17 FUEL TANK



7CT1400-D170

REF. NO.	PART NO.	DESCRIPTION	7CT1	7CT3	7CTB	7CTC	REMARKS
1	7CT-F4110-00-NJ	FUEL TANK COMP.	1		1	1	FWB, EXCEPT 360L2U
2	7CN-F4610-00	CAP ASSY	1		1	1	EXCEPT MZ360L2U
3	7CN-F4167-00	STRAINER	1		1	1	EXCEPT MZ360L2U
4	7CT-F4181-00	DAMPER, LOCATING 1	1		1	1	EXCEPT MZ360L2U
5	7CT-F4176-00	BOLT 1	4		4	4	EXCEPT MZ360L2U
6	90480-15235	GROMMET	4		4	4	EXCEPT MZ360L2U
7	90201-06380	WASHER, PLATE	4		4	4	EXCEPT MZ360L2U
8	90387-067K8	COLLAR	4		4	4	EXCEPT MZ360L2U
9	7CT-F4115-00	STAY, FUEL TANK 1	1		1	1	EXCEPT MZ360L2U
10	7CT-F4116-00	STAY, FUEL TANK 2	1		1	1	EXCEPT MZ360L2U
11	90338-05800	PLUG	3		3	3	EXCEPT MZ360L2U
12	95817-08020	BOLT, FLANGE	4		4	4	EXCEPT MZ360L2U
13	90201-08826	WASHER, PLATE	1		1	1	EXCEPT MZ360L2U
14	90445-10456	HOSE (L95)	1		1	1	EXCEPT MZ360L2U
15	90467-09806	CLIP	2		2	2	EXCEPT MZ360L2U
16	7CN-F4500-00	FUEL COCK ASSY 1	1		1	1	EXCEPT MZ360L2U
17	7J3-24521-00	.CUP, FILTER	1		1	1	EXCEPT MZ360L2U
18	4X8-24565-00	.GASKET	1		1	1	EXCEPT MZ360L2U
19	7NJ-24534-00	.SEAL, COCK	1		1	1	EXCEPT MZ360L2U
20	7NJ-24532-00	.GASKET	1		1	1	EXCEPT MZ360L2U
21	7NJ-24515-01	.NET, FILTER 2	1		1	1	EXCEPT MZ360L2U
22	98507-03008	.SCREW, PAN HEAD	2		2	2	EXCEPT MZ360L2U

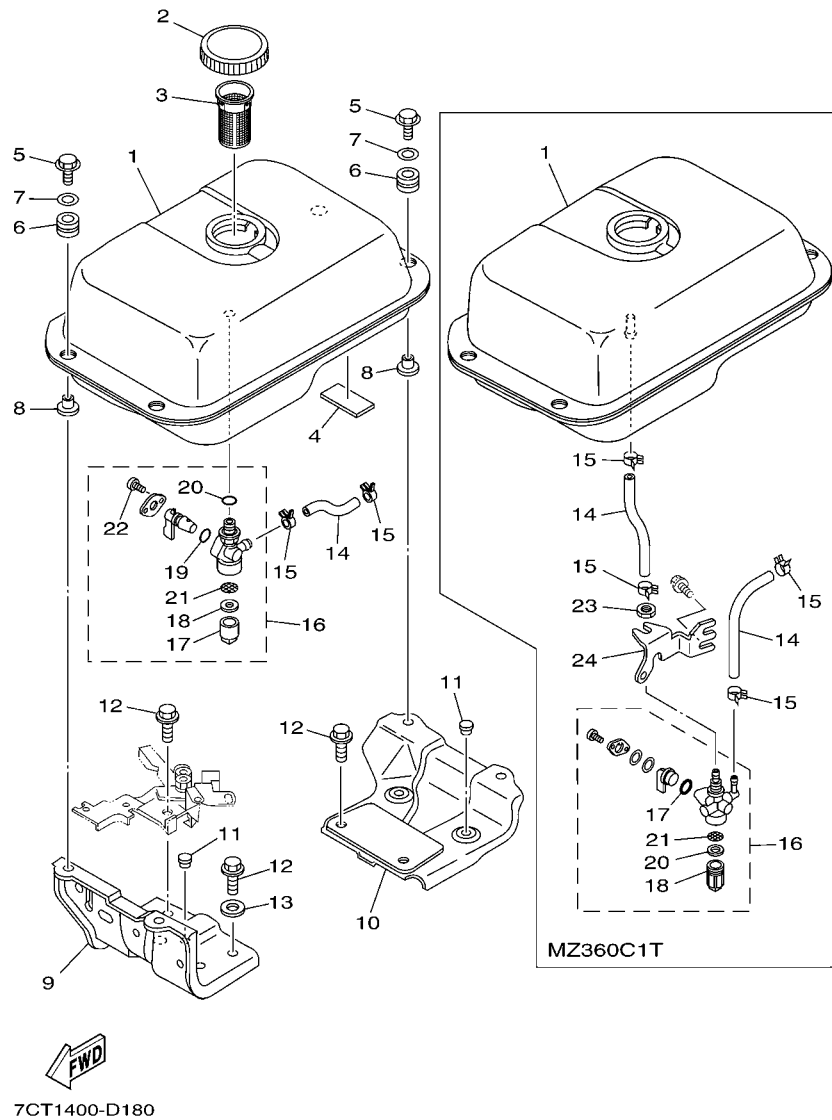
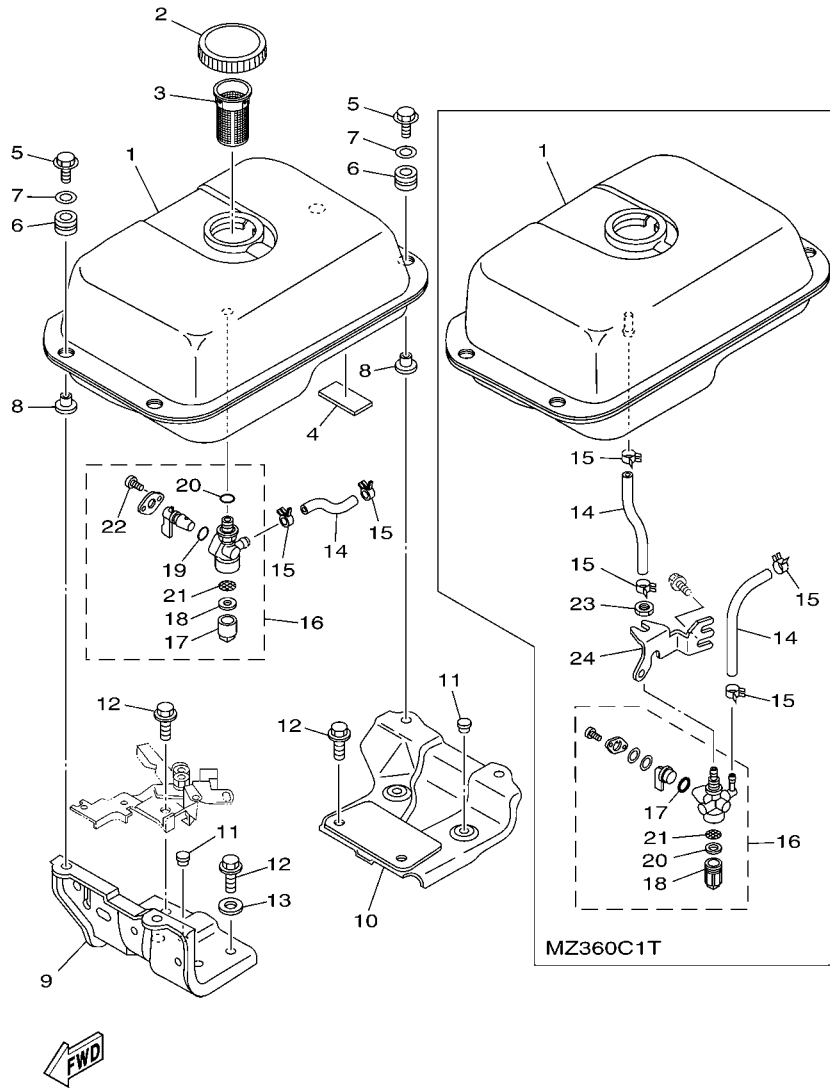


FIG. 18 FUEL TANK 2

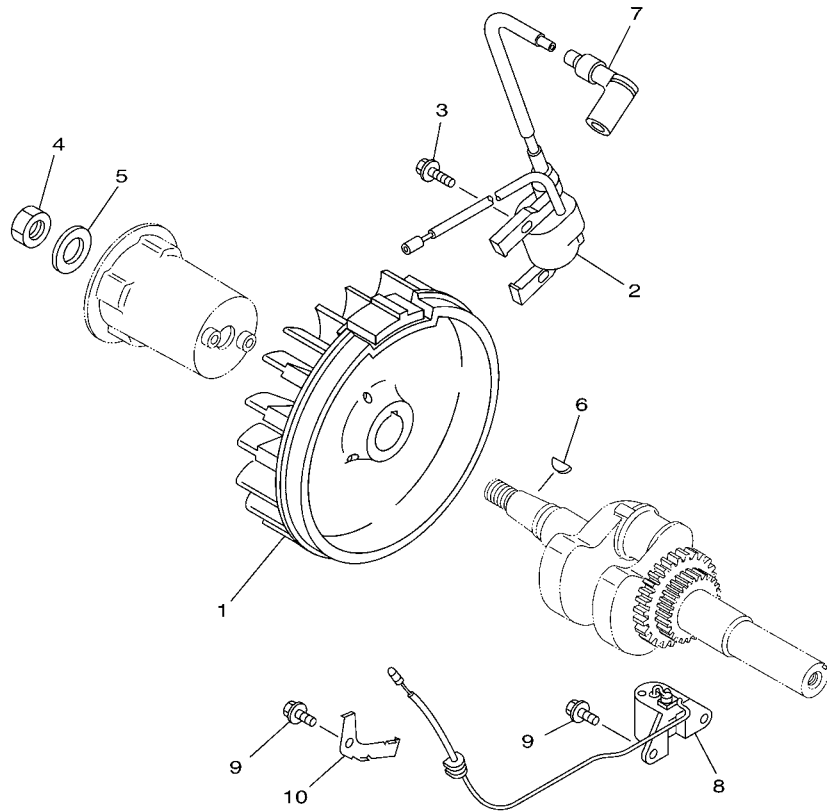
REF. NO.	PART NO.	DESCRIPTION	7CT1	7CT3	7CTB	7CTC	REMARKS
1	7CT-F4110-10-NJ	FUEL TANK COMP.		1			FWB, UR MZ360C1T
	7CT-F4110-00-NJ	FUEL TANK COMP.		1			FWB, UR MZ360C2B
2	7CN-F4610-00	CAP ASSY		1			
3	7CN-F4167-00	STRAINER		1			
4	7CT-F4181-00	DAMPER, LOCATING 1		1			
5	7CT-F4176-00	BOLT 1		4			
6	90480-15235	GROMMET		4			
7	90201-06380	WASHER, PLATE		4			
8	90387-067K8	COLLAR		4			
9	7CT-F4115-00	STAY, FUEL TANK 1		1			
10	7CT-F4116-00	STAY, FUEL TANK 2		1			
11	90338-05800	PLUG		3			
12	95817-08020	BOLT, FLANGE		4			
13	90201-08826	WASHER, PLATE		1			
14	90445-100E9	HOSE (L155)		2			UR MZ360C1T
	90445-10456	HOSE (L95)		1			UR MZ360C2B
15	90467-09806	CLIP		4			UR MZ360C1T
	90467-09806	CLIP		2			UR MZ360C2B
16	7CN-F4500-11	FUEL COCK ASSY 1		1			UR MZ360C1T
	7CN-F4500-00	FUEL COCK ASSY 1		1			UR MZ360C2B
17	7CN-F4534-00	.SEAL, COCK		1			UR MZ360C1T
	7J3-24521-00	.CUP, FILTER		1			UR MZ360C2B
18	7J3-24521-00	.CUP, FILTER		1			UR MZ360C1T
	4X8-24565-00	.GASKET		1			UR MZ360C2B
19	7NJ-24534-00	.SEAL, COCK		1			FOR MZ360C2B
20	4X8-24565-00	.GASKET		1			UR MZ360C1T
	7NJ-24532-00	.GASKET		1			UR MZ360C2B



7CT1400-D180

FIG. 18 FUEL TANK 2

REF. NO.	PART NO.	DESCRIPTION	7CT1	7CT3	7CTB	7CTC	REMARKS
21	7CN-F4515-10	.NET, FILTER 2		1			UR MZ360C1T
	7NJ-24515-01	.NET, FILTER 2		1			UR MZ360C2B
22	98507-03008	.SCREW, PAN HEAD		2			FOR MZ360C2B
23	95307-10700	NUT		1			FOR MZ360C1T
24	7CT-F4544-00	BRACKET, FUEL COCK		1			FOR MZ360C1T



7CT1400-D190

FIG. 19 MAGNETO

REF. NO.	PART NO.	DESCRIPTION	7CT1	7CT3	7CTB	7CTC	REMARKS
1	7CT-H5650-00	ROTOR ASSY	1	1	1	1	
2	7CT-H5640-00	T.C.I. UNIT ASSY	1	1	1	1	
3	95880-06020	BOLT, FLANGE	2	2	2	2	
4	90170-18391	NUT	1	1	1	1	
5	90201-18008	WASHER, PLATE	1	1	1	1	
6	90280-04801	KEY, WOODRUFF	1	1	1	1	
7	7CN-H2370-00	PLUG CAP ASSY	1	1	1	1	EXCEPT MZ360C1T Go to P/N : PE0-MP-180009 FOR MZ360C1T
	7CN-H2370-10	PLUG CAP ASSY		1			
8	7CT-H5720-00	OIL LEVEL GAUGE ASSY	1	1	1	1	EXCEPT MZ360C1T
9	95827-06012	BOLT, FLANGE	3	3	3	3	EXCEPT MZ360C1T
10	7CN-H5724-00	CLAMP	1	1	1	1	EXCEPT MZ360C1T

PARTS NEWS

News No. PE0-MP-180009

Date: Sep., 7., 2018

Signature: K. Tanaka

Cause : Revision Notice Correction Sales Unit Change Others

Model	MZ360C1T (7CT3)
Subject	PARTS CATALOGUE CORRECTIONS
CATALOGUE NO.	1D7CT-400E1
Time of YPEC Revision Text, Illustration --> Sep./20/2018 PDF Replace --> Sep./20/2018 (YPEC = Yamaha Parts Electrical Catalogue = Website parts catalogue)	

Applicable Engine Serial No.

MODEL NAME	MODEL CODE	Applicable Engine Serial No.
MZ360C1T	7CT3	7CT3-1012321 and following

*1: Interchangeability


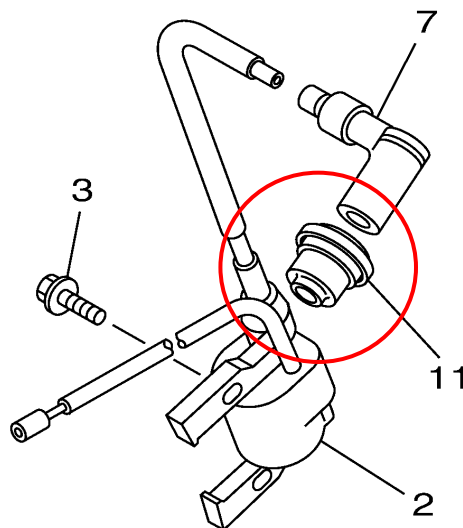
A	Old Parts	→	Old Parts
	New Parts	→	New Parts
B	Old Parts	→	Old Parts
	New Parts	→	New Parts
C	Old Parts	→	Old Parts
	New Parts	→	New Parts
	These parts are interchangeable with a set		

FIG.19 MAGNETO

1. LIST CORRECTION

Ref. No.	PART NO.	DESCRIPTION	Q'TY	REMARKS
11	7CP-H2372-00	SEAL, PLUG CAP	1	*Added Parts

2. ILLUSTRATION CORRECTION



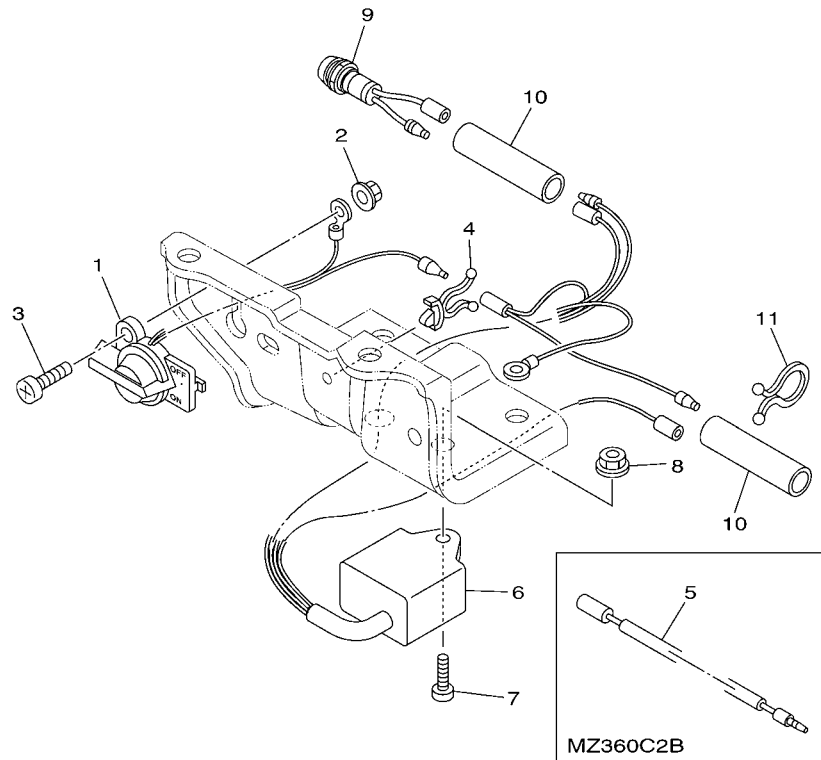
Thank you very much for your cooperation.

Parts
Manager
Check

Service
Manager
Check

Parts
Manager
File

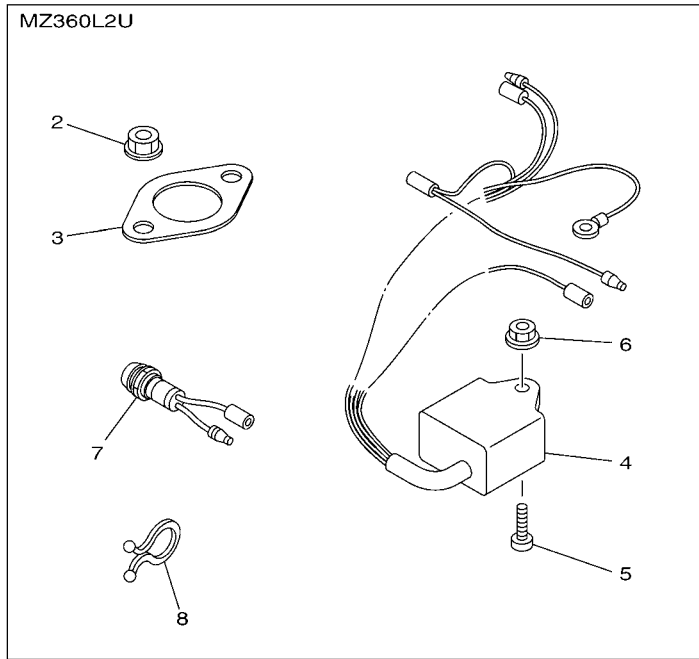
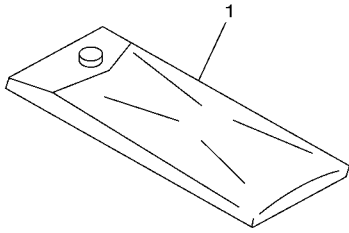
YAMAHA MOTOR CO.,LTD
Spare Parts Section
Parts & ACC. Engineering Div., YMC.



FWD
7CT1400-D200

FIG. 20 ELECTRICAL

REF. NO.	PART NO.	DESCRIPTION	7CT1	7CT3	7CTB	7CTC	REMARKS
1	7CN-H2550-00	ENGINE STOP SWITCH ASSY	1	1	1	1	EXPECT MZ360L2U
2	95704-06500	NUT, FLANGE	1	1	1	1	EXPECT MZ360L2U
3	98507-06014	SCREW, PAN HEAD	1	1	1	1	EXPECT MZ360L2U
4	90464-07803	CLAMP	1	1	1	1	EXPECT MZ360L2U
5	7CP-H2507-00	WIRE, LEAD			1		FOR MZ360C2B
6	7CN-H5690-00	OIL WARNING UNIT	1	1	1	1	EXCEPT 360C2B/L2U
7	7CT-H2379-00	SCREW, UNIT	1	1	1	1	EXCEPT 360C2B/L2U
8	95704-06500	NUT, FLANGE	1	1	1	1	EXCEPT 360C2B/L2U
9	7CA-H5770-01	OIL PILOT LIGHT ASSY	1	1	1	1	EXCEPT 360C2B/L2U
10	7CT-H2139-00	TUBE	2	2	2	2	EXCEPT 360C2B/L2U
11	90464-16805	CLAMP	1	1	1	1	EXCEPT 360C2B/L2U



7CT1400-D210

FIG. 21 BODY FITTING

REF. NO.	PART NO.	DESCRIPTION	7CT1	7CT3	7CTB	7CTC	REMARKS
1	7CT-F8100-00	TOOL KIT	1	1	1	1	
2	95307-08600	NUT				2	FOR MZ360L2U
3	7CT-E4613-00	GASKET, EXHAUST PIPE				1	FOR MZ360L2U
4	7CN-H5690-00	OIL WARNING UNIT				1	FOR MZ360L2U
5	7CT-H2379-00	SCREW, UNIT				1	FOR MZ360L2U
6	95704-06500	NUT, FLANGE				1	FOR MZ360L2U
7	7CA-H5770-01	OIL PILOT LIGHT ASSY				1	FOR MZ360L2U
8	90464-07803	CLAMP				1	FOR MZ360L2U

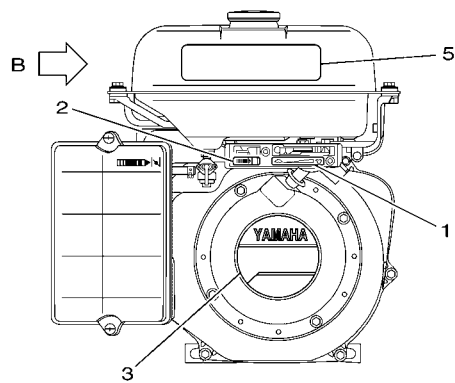
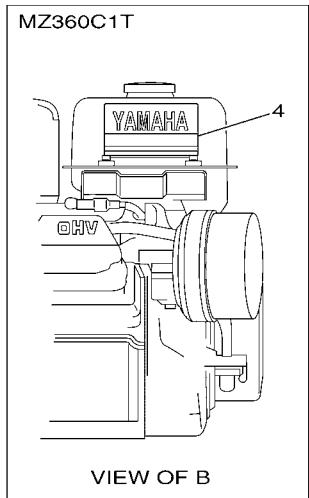


FIG. 22 EMBLEM & LABEL

REF. NO.	PART NO.	DESCRIPTION	7CT1	7CT3	7CTB	7CTC	REMARKS
1	7CN-F4154-00	INDICATOR, SHIFT	1	1			
2	7CN-F4155-00	INDICATOR, CHOKE	1	1			EXCEPT MZ360C1T
3	7CT-E2629-00	EMBLEM (MZ360)	1	1	1	1	EXCEPT MZ360C1T
	7CT-E2629-10	EMBLEM (MZ360)		1			FOR MZ360C1T
4	7CT-F4161-00	EMBLEM 1 (LONGTAIL)		2			FOR MZ360C1T
5	7CN-F4162-00	EMBLEM 2 (WARNING)	1	1	1	1	EXCEPT MZ360L2U

7CT1400-D220

NUMERICAL INDEX

PART NO.	REF. NO.	PART NO.	REF. NO.	PART NO.	REF. NO.	PART NO.	REF. NO.	PART NO.	REF. NO.	PART NO.	REF. NO.
4CW-14117-00	12 - 10	7RH-14216-00	14 - 2	7CT-E1190-00	1 - 7	7CT-E1970-00	6 - 1	7CT-E4461-10	9 - 9	7CT-F8100-00	21 - 1
	13 - 10	3G2-14231-21-A0	12 - 9	7CT-E1193-00	1 - 8	7CT-E1971-00	16 - 13		10 - 9	7CT-G1240-00	4 - 17
	14 - 11		13 - 9	7CT-E1198-00	16 - 7	7CT-E2111-00	7 - 3	7CT-E4462-10	9 - 10	7CT-G1256-00	8 - 19
7LV-14118-00	12 - 22		14 - 10	7CT-E1400-00	2 - 1	7CT-E2117-00	7 - 7		10 - 10	7CT-G1266-00	8 - 4
	13 - 22	7X9-14239-00	13 - 11	7CT-E1400-10	2 - 1	7CT-E2118-00	7 - 8	7CT-E4468-00	9 - 6	7CT-H2139-00	20 - 10
	14 - 6	3G2-1423A-70	12 - 9	7CT-E1400-20	2 - 1	7CT-E2119-00	7 - 14		10 - 6	7CN-H2370-00	19 - 7
620-14142-57	12 - 6	3G2-1423E-42	13 - 9	7CT-E1400-30	2 - 1	7CT-E2121-00	7 - 4		11 - 6	7CN-H2370-10	19 - 7
620-14142-57-A0	12 - 6	7RK-14411-20	9 - 4	7CT-E1454-00	3 - 7	7CT-E2151-00	7 - 9	7CT-E4477-00	9 - 11	7CT-H2379-00	20 - 7
	13 - 6	7RK-14451-20	9 - 7	7CT-E1561-00	3 - 8	7CT-E2153-00	7 - 5		10 - 11		21 - 5
	14 - 7	7RK-14461-20	9 - 9	7CT-E1610-00	3 - 2	7CT-E2154-00	7 - 13		11 - 9	7CP-H2507-00	20 - 5
73A-1414G-00	12 - 8	7RK-14468-20	9 - 6	7CT-E1610-10	3 - 2	7CT-E2156-00	7 - 12	7CT-E4477-10	10 - 12	7CN-H2550-00	20 - 1
	13 - 8	7RH-14486-00	12 - 3	7CT-E1610-20	3 - 2	7CT-E2159-00	7 - 10	7CT-E4613-00	15 - 9	7CT-H5640-00	19 - 2
	14 - 9		13 - 3	7CT-E1631-00-A0	3 - 1	7CT-E2170-00	7 - 1		21 - 3	7CT-H5650-00	19 - 1
620-1414J-24	13 - 6		14 - 3	7CT-E1633-00	3 - 3	7CT-E2287-00	15 - 2	7CT-E4708-00	15 - 4	7CN-H5690-00	20 - 6
73A-14150-00	12 - 21	6K8-14597-10	12 - 11	7CT-E1635-00	3 - 1	7CT-E2621-00	8 - 1	7CT-E4711-00	15 - 1		21 - 4
	13 - 21		13 - 11	7CT-E1636-00	3 - 1	7CT-E2621-10	8 - 1	7CT-E4786-00	15 - 2	7CT-H5720-00	19 - 8
	14 - 22		14 - 12	7CT-E1650-00	3 - 5	7CT-E2621-20	8 - 1	7CT-E5111-00	16 - 1	7CN-H5724-00	19 - 10
7EG-14159-00	12 - 18	1WG-14922-00	12 - 19	7CT-E1654-00	3 - 6	7CT-E2629-00	22 - 3	7CT-E5362-00	16 - 18	7CA-H5770-01	20 - 9
	13 - 18		13 - 19	7CT-E1901-00	6 - 11	7CT-E2629-10	22 - 3	7CN-E5363-00	16 - 17		21 - 7
	14 - 19		14 - 20	7CT-E1913-00	4 - 2	7CT-E2651-00	8 - 3	7CT-E5411-10	16 - 9	90170-05302	7 - 11
7RG-14162-00	12 - 15	7RK-1495N-6A	12 - 7		5 - 2	7CT-E3557-00	9 - 2	7CT-E5451-00	16 - 15	90170-18391	19 - 4
	13 - 15		13 - 7		6 - 2		10 - 2	7CT-E5710-00	8 - 6	90173-06802	4 - 14
	14 - 16	7RK-1495N-6B	14 - 8	7CN-E1914-00	4 - 3		11 - 2	7CT-E5723-00	8 - 18		5 - 14
796-14184-00	12 - 12	7CT-15711-00	8 - 7		5 - 3	7CT-E3567-00	9 - 3	7CT-F4110-00-NJ	17 - 1		6 - 14
	13 - 12	7CT-15713-00	8 - 10		6 - 3		10 - 3		18 - 1	90201-06380	17 - 7
	14 - 13	7CT-15714-00	8 - 8	7CT-E1917-00	4 - 7		10 - 3	7CT-F4110-10-NJ	18 - 1		18 - 7
JN6-14185-00	12 - 13	7CN-15715-00	8 - 11		5 - 7		11 - 3	7CT-F4115-00	17 - 9	90201-067L0	4 - 6
	13 - 13	7CT-15716-00	8 - 12		6 - 7	7CT-E3596-00	9 - 1		18 - 9		5 - 6
	14 - 14	7CT-15741-00	8 - 9	7CT-E1922-00	4 - 8		10 - 1	7CT-F4116-00	17 - 10		6 - 6
22F-14186-00	12 - 17	7CN-15743-00	8 - 14		5 - 8		11 - 1		18 - 10	90201-06842	4 - 4
	13 - 17	7CT-15751-00	8 - 15		6 - 8	7CT-E4101-10	14 - 1	7CN-F4154-00	22 - 1		5 - 4
	14 - 18	7CN-15755-00	8 - 16	7CT-E1924-10	4 - 11	7CT-E4101-30	13 - 1	7CN-F4155-00	22 - 2		6 - 4
7E1-14191-00	12 - 20	7CN-15793-00	8 - 13		5 - 11	7CT-E4101-40	12 - 1	7CT-F4161-00	22 - 4	90201-08092	4 - 9
	13 - 20	7NJ-24515-01	17 - 21		6 - 11		13 - 1	7CN-F4162-00	22 - 5		5 - 9
	14 - 21		18 - 21	7CT-E1925-00	6 - 20	7CT-E4101-50	12 - 1	7CN-F4167-00	17 - 3		6 - 9
127-14198-00	12 - 14	7J3-24521-00	17 - 17	7CT-E1925-10	4 - 20	7CT-E4411-00	9 - 4		18 - 3	90201-086A3	15 - 7
	13 - 14		18 - 17	7CT-E1925-20	5 - 20		10 - 4	7CT-F4176-00	17 - 5	90201-08826	17 - 13
	14 - 15		18 - 18		6 - 20		11 - 4		18 - 5		18 - 13
7LV-14211-00	12 - 5	7NJ-24532-00	17 - 20	7CT-E1928-00	4 - 15	7CT-E4412-00	9 - 5	7CT-F4181-00	17 - 4	90201-18008	19 - 5
	13 - 5		18 - 20		5 - 15		10 - 5		18 - 4	90280-04801	19 - 6
7NJ-14211-00	12 - 5	7NJ-24534-00	17 - 19		6 - 15		11 - 5	7CN-F4500-00	17 - 16	90282-06037	2 - 2
	13 - 5		18 - 19	7CT-E1932-00	4 - 23	7CT-E4429-00	9 - 8		18 - 16	90282-07061	2 - 2
	14 - 5	4X8-24565-00	17 - 18	7CT-E1933-00	4 - 21		10 - 8	7CN-F4500-11	18 - 16	90338-05800	17 - 11
73A-14212-00	12 - 4		18 - 18	7CN-E1950-00	6 - 17		11 - 8	7CN-F4515-10	18 - 21		18 - 11
	13 - 4		18 - 20	7CT-E1950-10	5 - 17	7CT-E4451-00	10 - 7	7CN-F4534-00	18 - 17	90338-06800	16 - 14
	14 - 4	7CT-E1111-00	1 - 1		6 - 17		11 - 7	7CT-F4544-00	18 - 24	90340-12097	16 - 6
7RH-14216-00	12 - 2	7CT-E1166-00	1 - 10	7CT-E1970-00	4 - 1	7CT-E4451-10	9 - 7	7CN-F4610-00	17 - 2	90387-067K8	17 - 8
	13 - 2	7CT-E1181-00	1 - 2		5 - 1		10 - 7		18 - 2		18 - 8

NUMERICAL INDEX

PART NO.	REF. NO.	PART NO.	REF. NO.	PART NO.	REF. NO.	PART NO.	REF. NO.	PART NO.	REF. NO.	PART NO.	REF. NO.
90445-100E9	18 - 14	95704-06500	20 - 2								
90445-10456	17 - 14		20 - 8								
	18 - 14		21 - 6								
90464-07803	20 - 4	95707-08500	9 - 12								
	21 - 8		10 - 13								
90464-16805	20 - 11		11 - 10								
90467-09806	17 - 15	95807-06008	8 - 17								
	18 - 15	95807-06012	6 - 21								
	18 - 15		8 - 2								
90468-12006	4 - 10	95807-06016	9 - 13								
	5 - 10		10 - 14								
	6 - 10		11 - 11								
90480-15235	17 - 6	95807-06020	10 - 14								
	18 - 6	95817-08020	17 - 12								
90501-090A8	4 - 19		18 - 12								
	5 - 19	95817-08045	16 - 16								
	6 - 19	95817-10070	1 - 3								
90501-10812	6 - 19	95827-06008	15 - 5								
90501-264A9	7 - 6	95827-06012	19 - 9								
90506-04421	8 - 20	95827-06030	1 - 9								
90506-04458	4 - 16	95827-08016	15 - 6								
	5 - 16	95880-06020	19 - 3								
	6 - 16	97027-06030	4 - 12								
90506-07412	4 - 26		5 - 12								
92907-06600	4 - 13		6 - 12								
	5 - 13	97707-40506	15 - 3								
	6 - 13	98507-03008	17 - 22								
93102-35802	16 - 3		18 - 22								
	16 - 11	98507-04006	4 - 24								
93109-08803	16 - 4	98507-05010	8 - 5								
93210-22805	16 - 19	98507-05012	4 - 22								
93306-207Y0	16 - 10	98507-05025	4 - 18								
93306-252X4	16 - 5	98507-05030	5 - 18								
	16 - 12		6 - 18								
93306-307Y1	16 - 2	98507-06014	20 - 3								
93440-06826	4 - 5	98507-06035	6 - 18								
	5 - 5	99001-04600	4 - 25								
	6 - 5	99530-08016	16 - 8								
93450-21053	3 - 4	99530-14016	1 - 4								
93501-08001	12 - 16										
	13 - 16										
	14 - 17										
94702-00819	1 - 6										
95307-08600	15 - 8										
	21 - 2										
95307-10700	18 - 23										
95607-08700	1 - 11										
95627-08618	1 - 5										