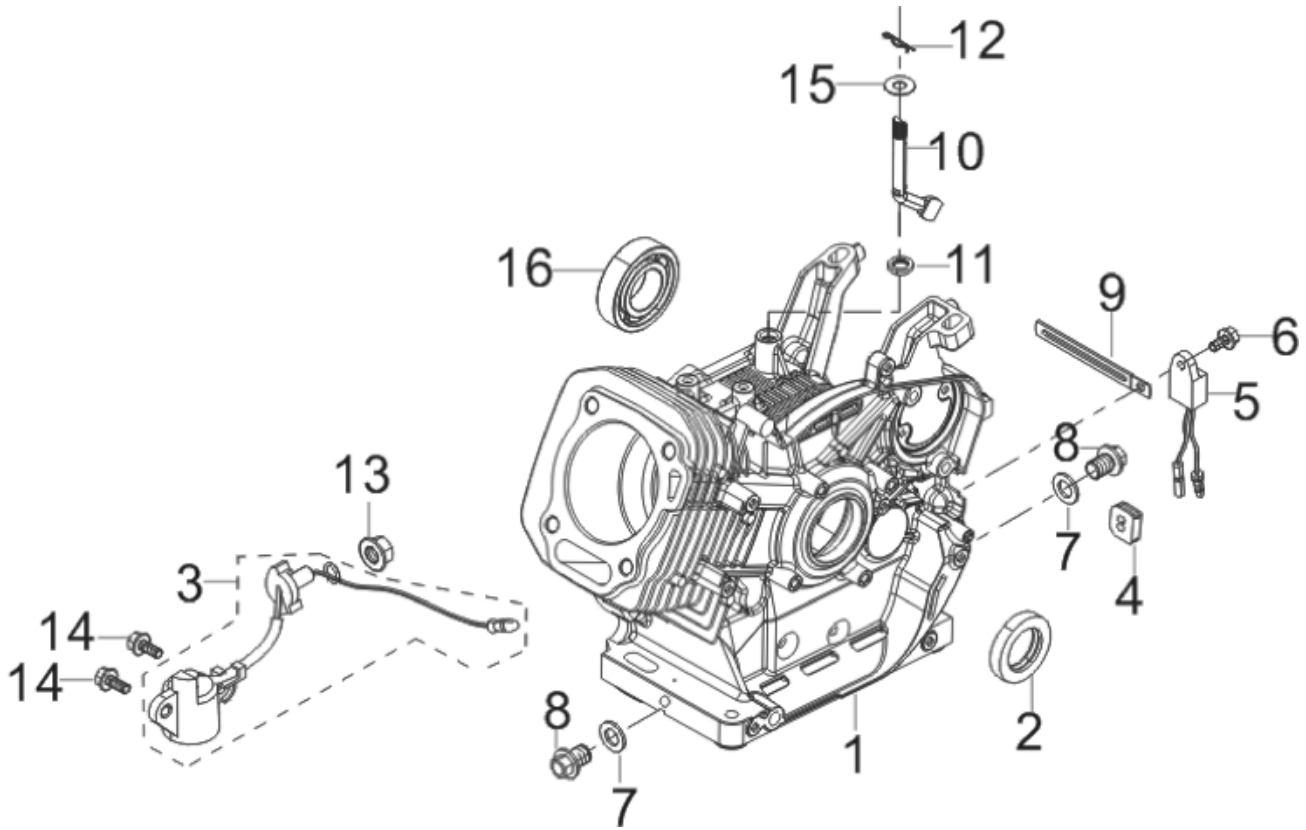


R390 GASOLINE ENGINE

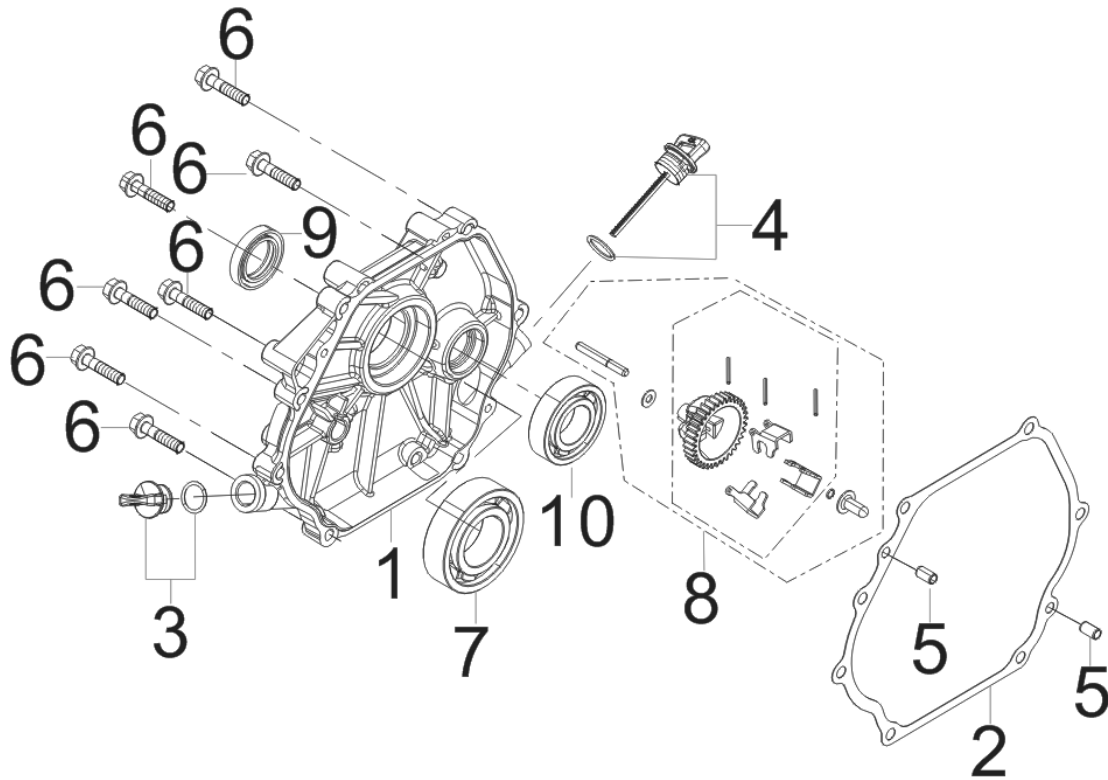
FIG.1 CRANKCASE. / GEAR ASSY, GOVERNOR. (E01)



REF.NO.	PART NO	DESCRIPTION	Q'TY
E01-1	11310-Z101110-0BA0	CRANKCASE SUBASSEMBLY.	1
E01-2	90682-Z310110-00A0	SEAL, OIL	1
E01-3	37060-Z080120-00A0	SENSOR, ENGINE OIL	1
E01-4	28101-Z080110-00A0	PLUG, RUBBER	1
E01-5	37050-Z010210-00A0	PROTECTOR, OIL	1
E01-6	90001-0612-01A0	BOLT	1
E01-7	90412-Z080110-00A0	WASHER , FLAT	2
E01-8	11007-Z080110-00A0	BOLT, DRAIN PLUG	2
E01-9	90684-Z030120-00A0	CLIP	1
E01-10	16061-Z100110-00A0	ARM, GOVERNOR	1
E01-11	90682-Z100210-00A0	SEAL, OIL	1
E01-12	90501-Z010110-00A0	PIN	1
E01-13	90305-Z010210-01A0	NUT	1
E01-14	90001-0616-01A0	BOLT	2
E01-15	90412-Z080210-00A0	WASHER , FLAT	1
E01-16	90548-0202-CLA0	BEARING , DEEP GROOVE BALL	1

R390 GASOLINE ENGINE

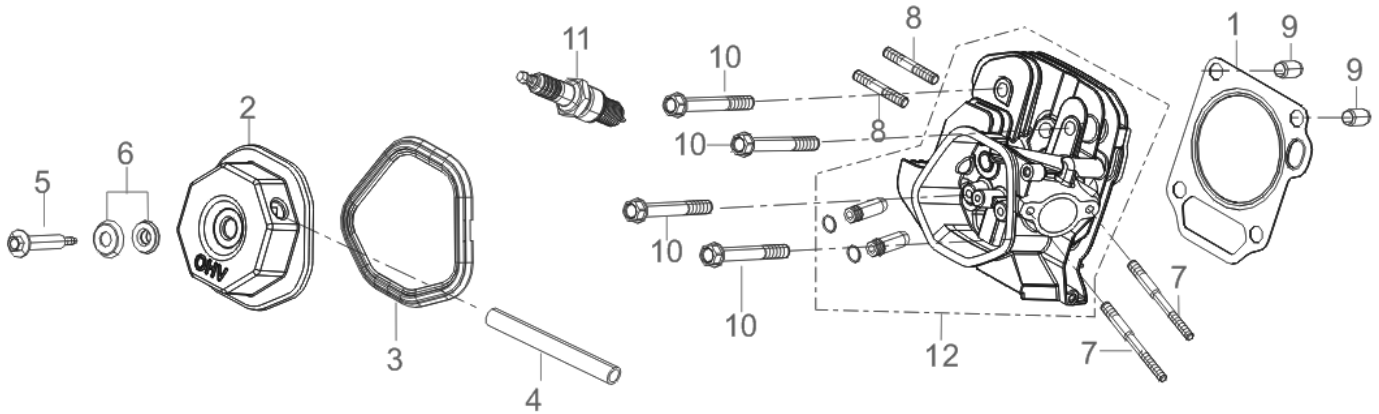
FIG.2 COVER SUBASSEMBLY, CRANKCASE (E02)



REF.NO.	PART NO	DESCRIPTION	Q'TY
E02-1	11411-Z100510-0BA0	COVER, CRANKCASE	1
E02-2	11001-Z100120-00A0	GASKET, CRANKCASE	1
E02-3	15030-Z080130-Q5A0	PLUG SUBASSEMBLY, ENGINE OIL	1
E02-4	15010-Z080130-Q5A0	DIPSTICK SUBASSEMBLY, OIL	1
E02-5	90502-0812-00A0	PIN	2
E02-6	90001-0840-01A0	BOLT	7
E02-7	90548-0207-CLA0	BEARING , DEEP GROOVE BALL	1
E02-8	16400-Z100110-00A0	GEAR ASSY, GOVERNOR	1
E02-9	90682-Z310110-00A0	SEAL, OIL	1
E02-10	90548-0202-CLA0	BEARING , DEEP GROOVE BALL	1

R390 GASOLINE ENGINE

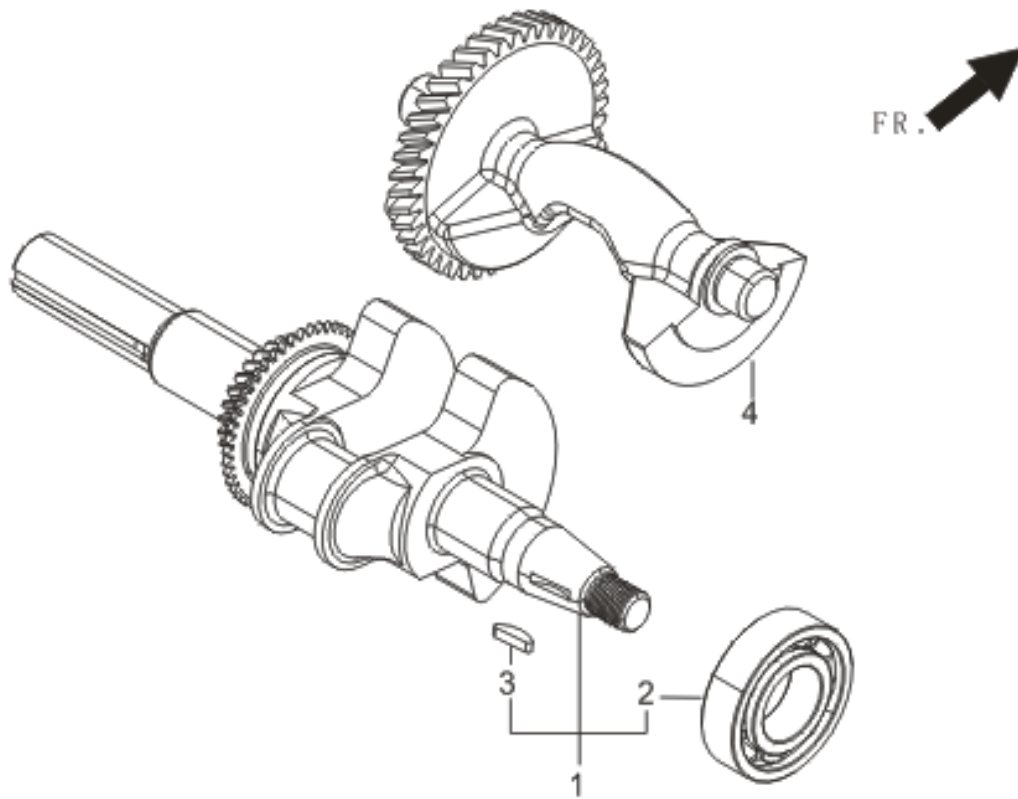
FIG.3 HEAD SUBASSEMBLY, CYLINDER / PLUG,SPARK (E03)



REF.NO.	PART NO	DESCRIPTION	Q'TY
E03-1	12131-Z100110-00A0	GASKET, CYLINDER HEAD	1
E03-2	12410-Z190110-01A9	COVER SUBASSEMBLY, CYLINDER HEAD	1
E03-3	12004-Z080110-00A0	GASKET, CYLINDER HEAD COVER	1
E03-4	17004-Z100110-00A0	TUBE, BREATHER	1
E03-5	12032-Z080110-0100	BOLT, CYLINDER HEAD	1
E03-6	12034-Z080110-00A9	Cylinder epicranium bolt seal&gasket unit	1
E03-7	90204-Z100210-00A0	BOLT	2
E03-8	90204-Z100320-00A0	BOLT	2
E03-9	90502-1220-00A0	PIN	2
E03-10	12003-Z080110-00A0	BOLT, CYLINDER HEAD	4
E03-11	30010-Z010110-00A0	PLUG, SPARK	1
E03-12	12140-Z190150-0BA9	HEAD SUBASSEMBLY, CYLINDER	1

R390 GASOLINE ENGINE

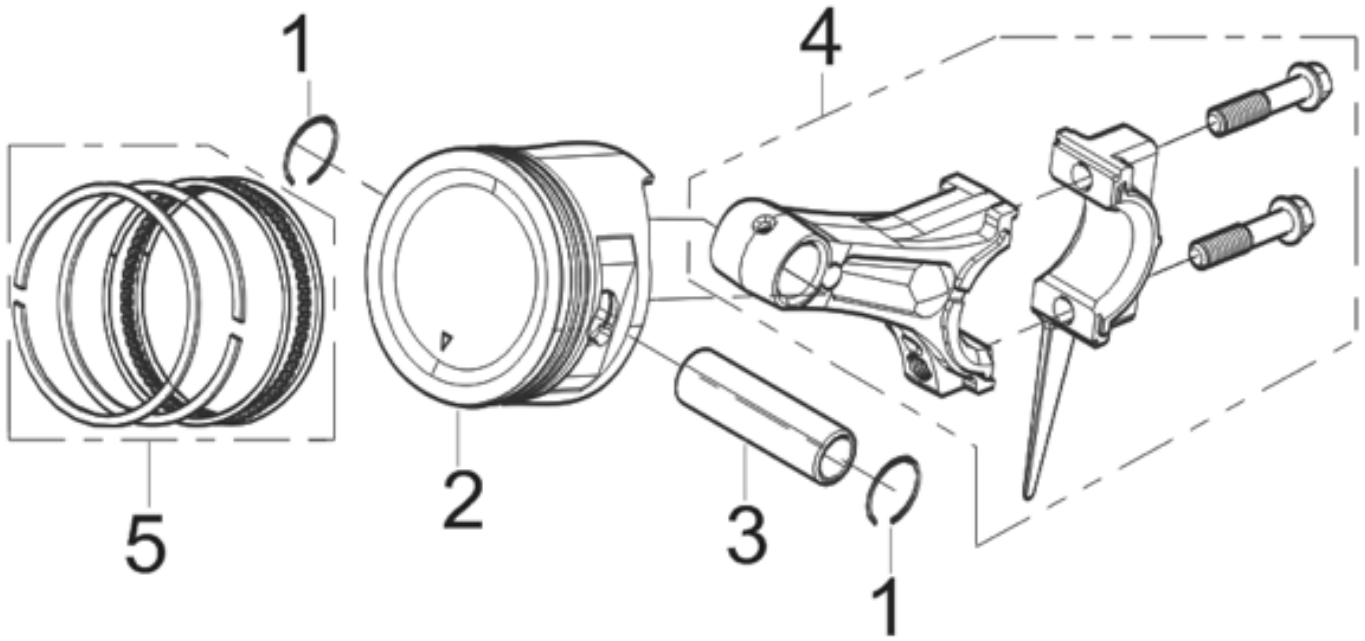
FIG.4 ROD,CRANKSHAFT CONNETING (E04)



REF.NO.	PART NO	DESCRIPTION	Q'TY
E04-1	13300-Z100720-00A0	CRANKSHAFT ASSY.	1
E04-4	13401-Z100110-00A0	SHAFT ASSY, BALANCING	1

R390 GASOLINE ENGINE

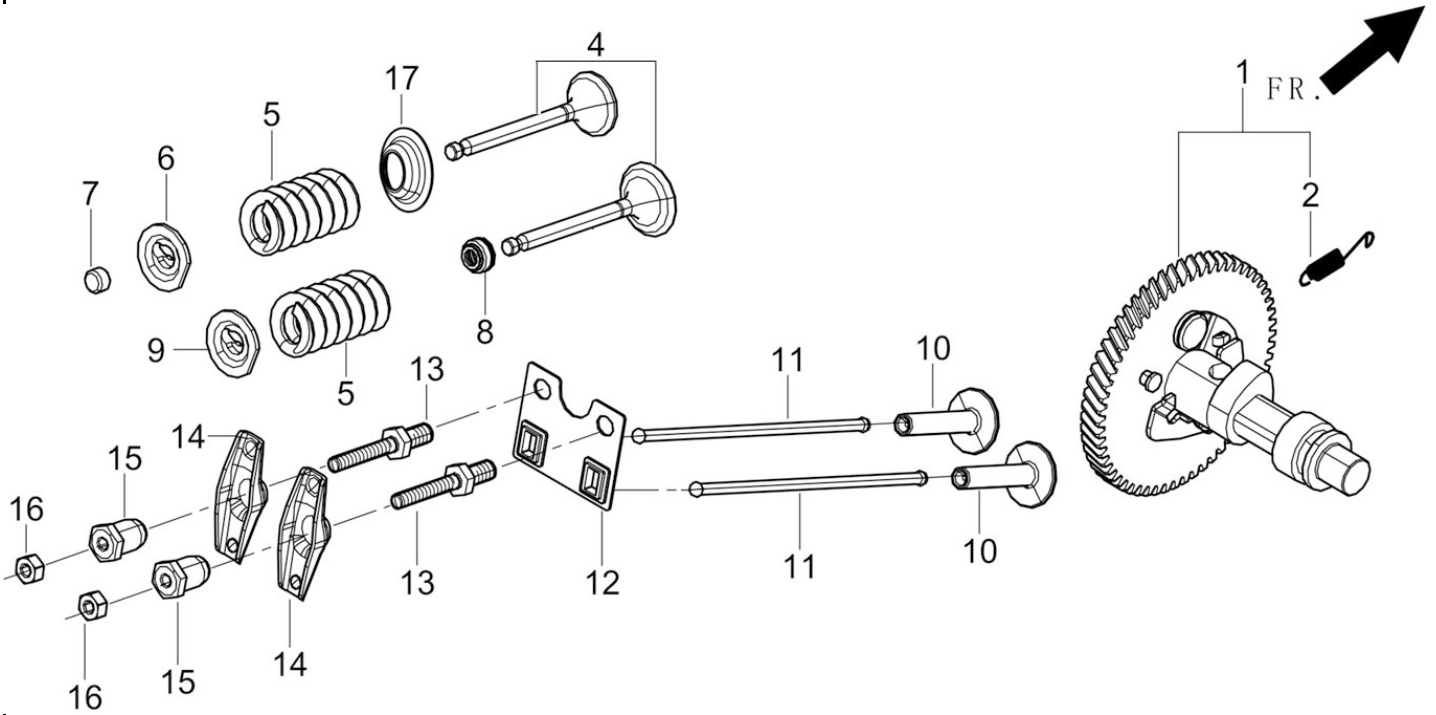
FIG.5 RING SET,OIL / ROD,CRANKSHAFT CONNETING (E05)



REF.NO.	PART NO	DESCRIPTION	Q'TY
E05-1	13122-Z100110-00A0	CLIP, PISTON PIN	2
E05-2	13111-Z100410-00A9	PISTON	1
E05-3	13121-Z100110-00A0	PIN, PISTON	1
E05-4	13010-Z100120-00A0	ROD, CONNECTING	1
E05-5	13200-Z100110-00A9	RING ASSY, PISTON	1

R390 GASOLINE ENGINE

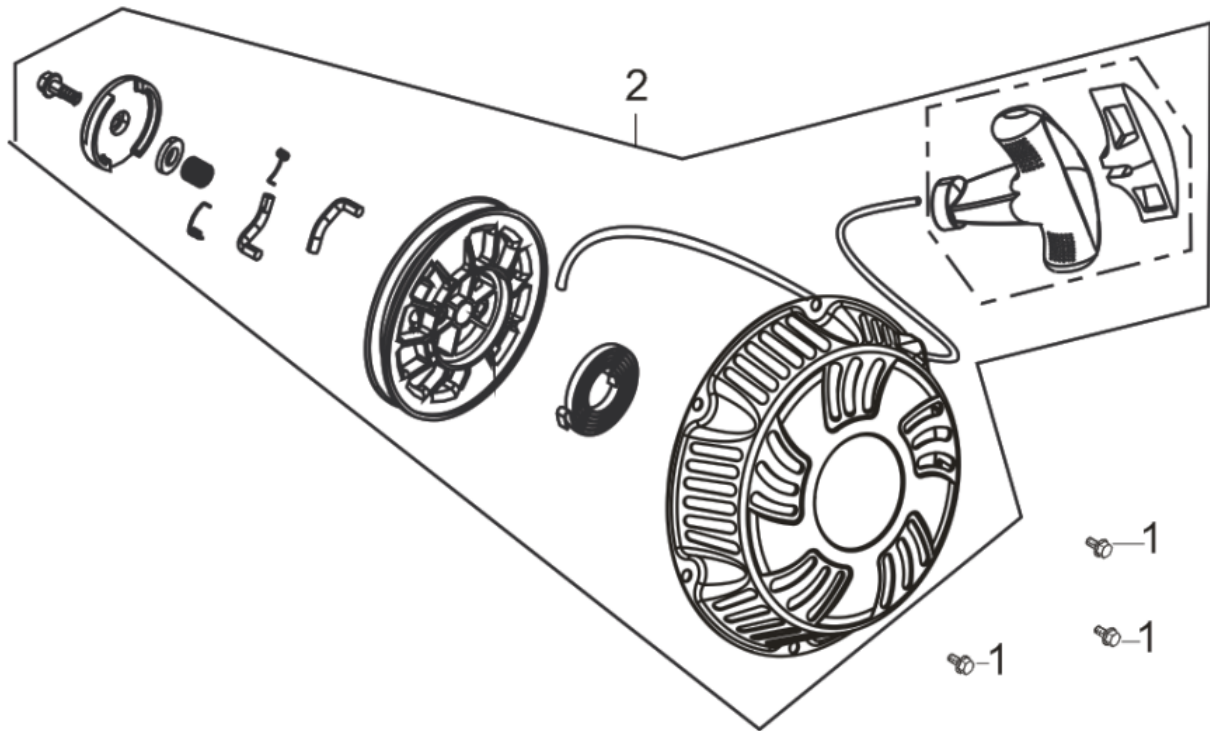
FIG.6 TRAIN, VALVE / CAMSHAFT SUBASSEMBLY (E06)



REF.NO.	PART NO	DESCRIPTION	Q'TY
E06-1	14200-Z100320-0009	CAMSHAFT ASSY.	1
E06-4	12110-Z190110-00A9	VALVE	1
E06-5	12103-Z080110-00A0	SPRING, VALVE	2
E06-6	12107-Z080110-00A0	RETAINER , EXHAUST VALVE	1
E06-7	12104-Z080110-00A0	ROTATOR, VALVE	1
E06-8	12101-Z080110-00A0	GUIDE, SEAL	1
E06-9	12112-Z080110-00A0	SEAT, VALVE SPRING	1
E06-10	14081-Z080110-00A0	TAPPET, VALVE	2
E06-11	14070-Z100110-00A0	LIFTER SUBASSEMBLY, VALVE	2
E06-12	14090-Z080110-00A0	PLATE SUBASSEMBLY, LIFTER STOPPER	1
E06-13	14313-Z010110-00A0	BOLT, ROCKER SHAFT	2
E06-14	14311-Z080110-00A0	ROCKER, VALVE	2
E06-15	14314-Z010110-00A0	NUT , VALVE ADJUSTING	2
E06-16	14312-Z010110-00A0	NUT, VALVE LOCK	2
E06-17	12105-Z080110-00A0	RETAINER, VALVE SPRING	1

R390 GASOLINE ENGINE

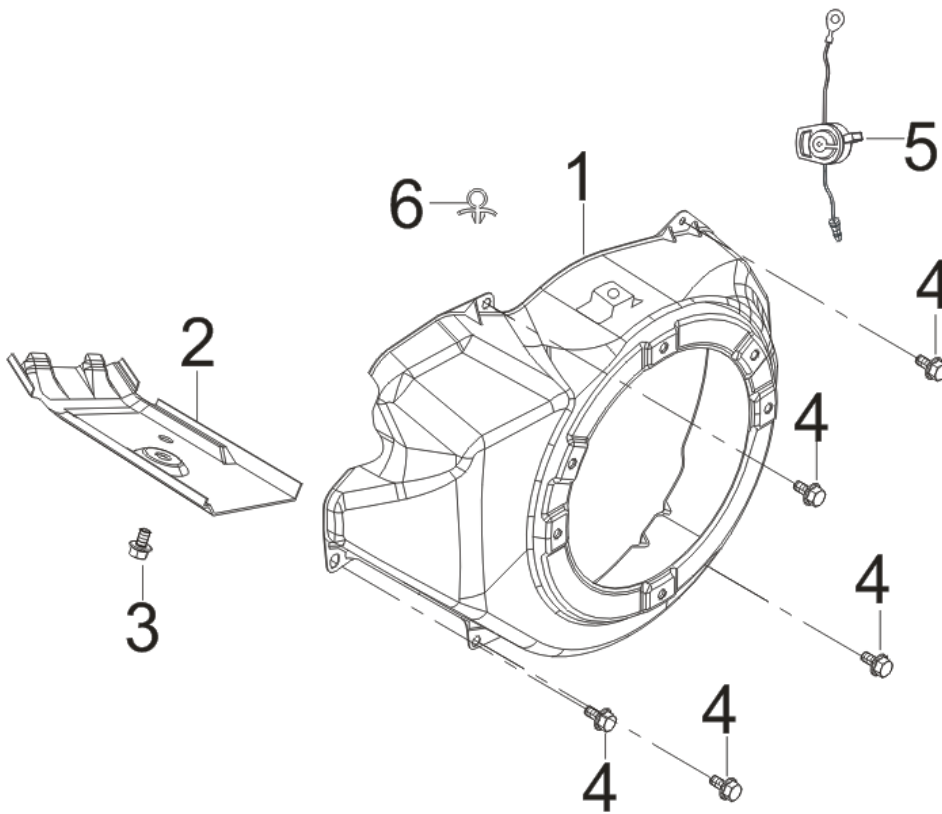
FIG.7 STARTER,RECOIL (E07)



REF.NO.	PART NO	DESCRIPTION	Q'TY
E07-1	90001-0608-01	BOLT	3
E07-2	28200-Z101210-H300	STARTER ASSY, RECOIL	1

R390 GASOLINE ENGINE

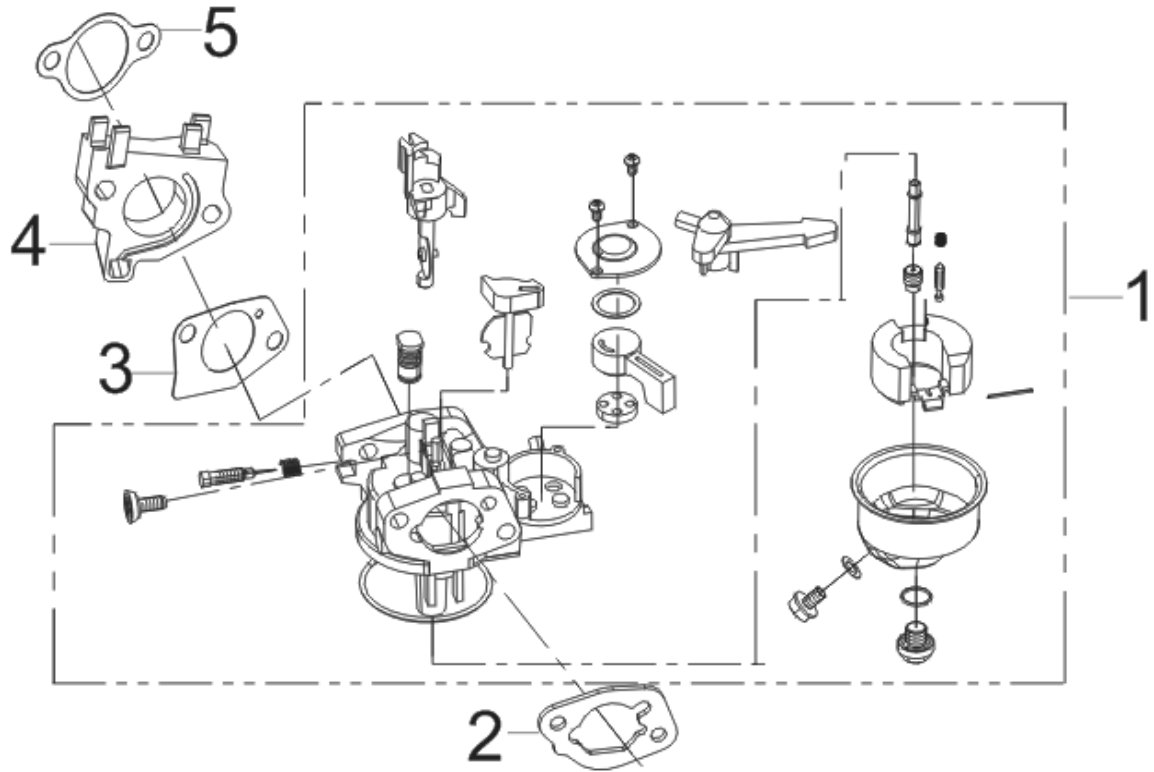
FIG.8 SHROUD / SHIELD, LOWER (E08)



REF.NO.	PART NO	DESCRIPTION	Q'TY
E08-1	28110-Z310410-H300	SHROUD	1
E08-2	19304-Z100210-00A0	SHROUD, CYLINDER BODY	1
E08-3	90001-0612-01A0	BOLT	1
E08-4	90001-0612-01A0	BOLT	5
E08-5	35540-Z060140-QGA0	SWITCH SUBASSEMBLY, STOP ENGINE	1
E08-6	90684-Z080110-00A0	CLIP	1

R390 GASOLINE ENGINE

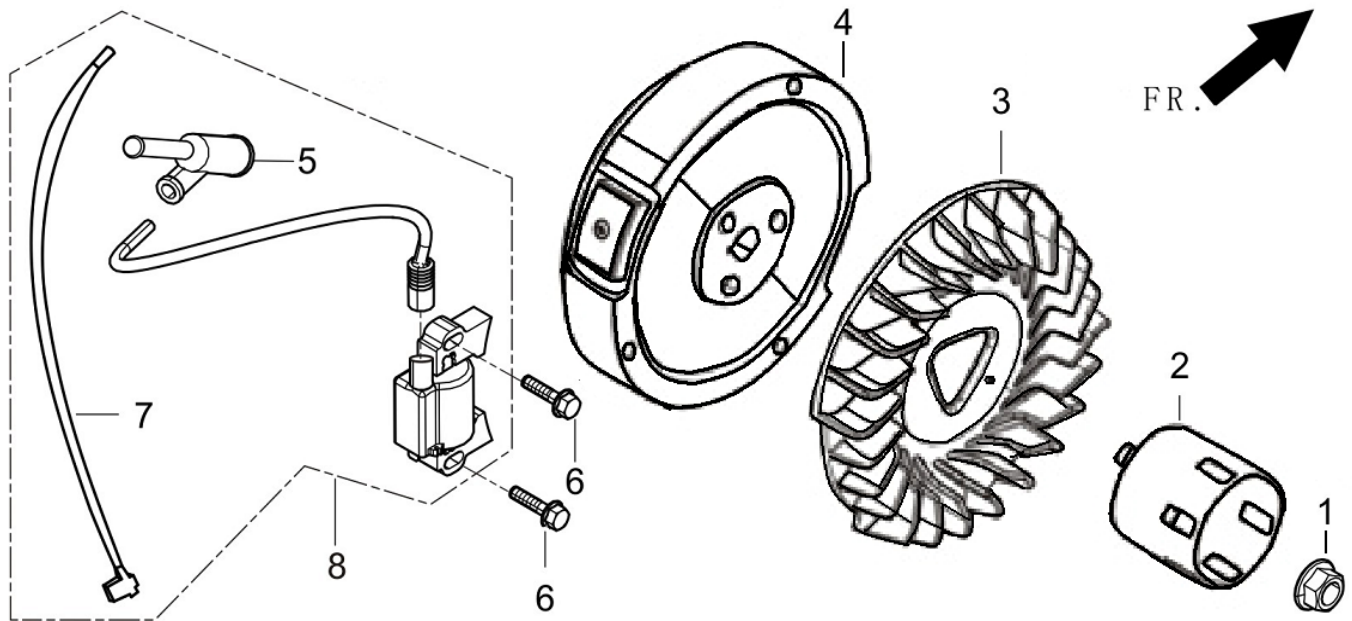
FIG.9 CARBURETOR ASSY. (E09)



REF.NO.	PART NO	DESCRIPTION	Q'TY
E09-1	16100-Z190810-00A9	CARBURETOR ASSY.	1
E09-2	17001-Z080210-00A0	GASKET, AIR CLEANER	1
E09-3	16001-Z100110-00A0	GASKET, CARBURETOR	1
E09-4	16003-Z100110-00A0	PLATE, CARBURETOR INSULATOR	1
E09-5	17002-Z100110-00A0	GASKET, INLET	1

R390 GASOLINE ENGINE

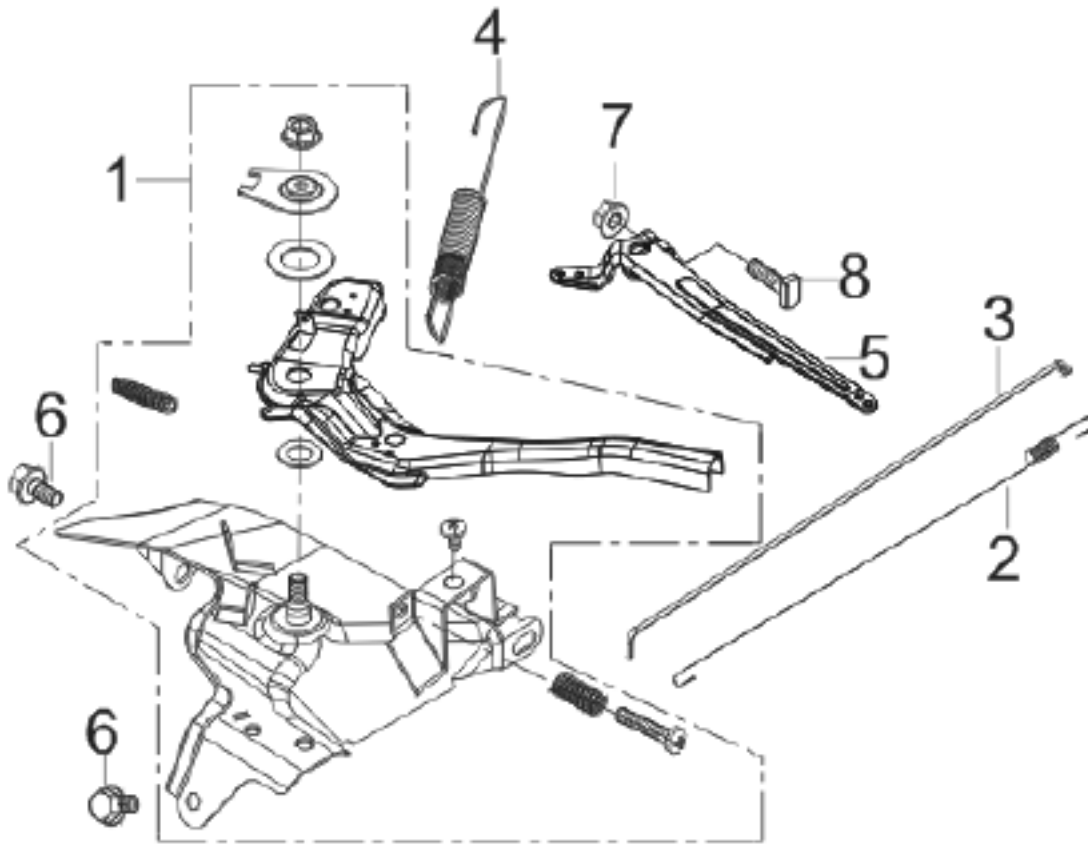
FIG.10 FLYWHEEL / IMPELLER / STARTER PULLEY / IGNITION COIL (E10)



REF.NO.	PART NO	DESCRIPTION	Q'TY
E10-1	13501-Z080110-00A0	NUT, FLYWHEEL	1
E10-2	28002-Z100210-00A0	PULLEY,STARTER	1
E10-3	19352-Z100120-00A0	IMPELLER	1
E10-4	13510-Z100120-00A0	FLYWHEEL SUBASSEMBLY	1
E10-6	90001-0628-01A0	BOLT	2
E10-8	30400-Z190210-01A0	COIL, IGNITION	1

R390 GASOLINE ENGINE

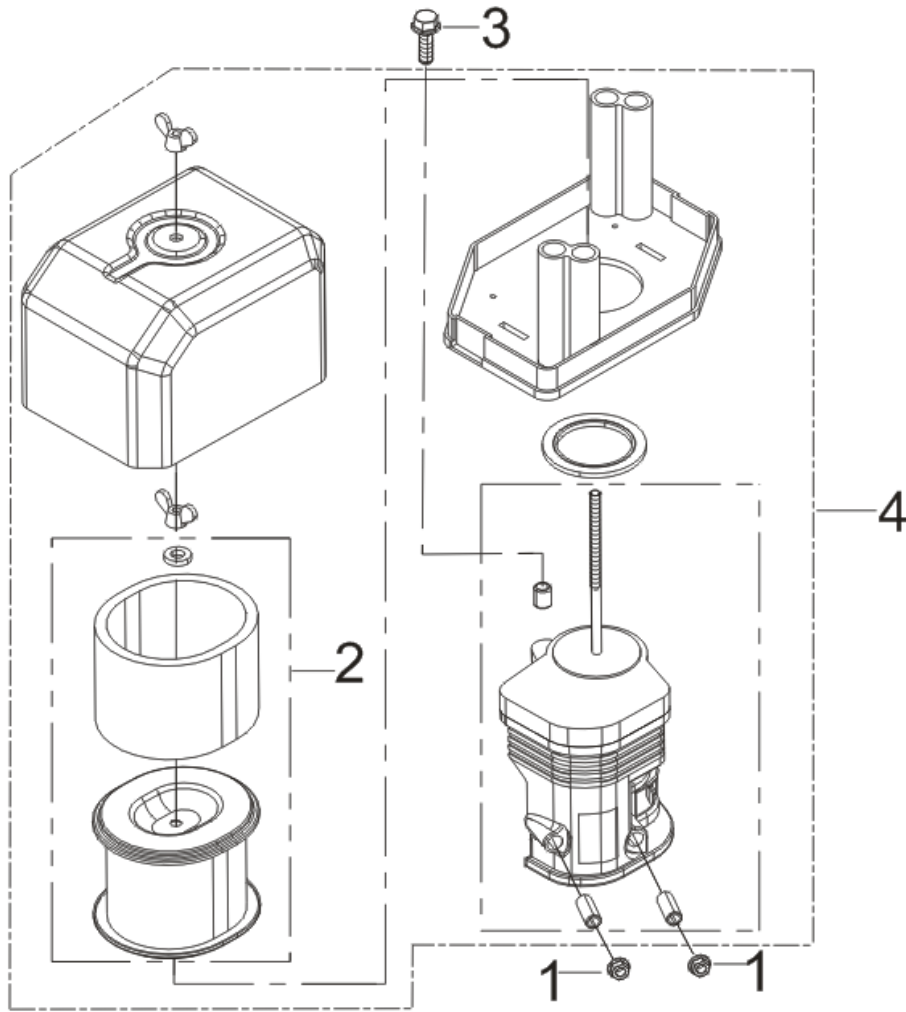
FIG.11 CONTROL ASSY, THROTTLE (E11)



REF.NO.	PART NO	DESCRIPTION	Q'TY
E11-1	16520-Z101710-00A0	CONTROL ASSY, THROTTLE	1
E11-2	16012-Z080110-00A0	SPRING, THROTTLE VALVE RETURNING	1
E11-3	16062-Z100110-00A0	ROD, GOVERNEOR	1
E11-4	16063-Z100510-00A0	SPRING, GOVERNOR	1
E11-5	16070-Z100120-00A0	SUPPORT SUBASSEMBLY, GOVERNOR	1
E11-6	90001-0612-01A0	BOLT	2
E11-7	90305-0600-31A0	NUT	1
E11-8	16072-Z010110-00A0	BOLT, GOVERNOR SUPPORT	1

R390 GASOLINE ENGINE

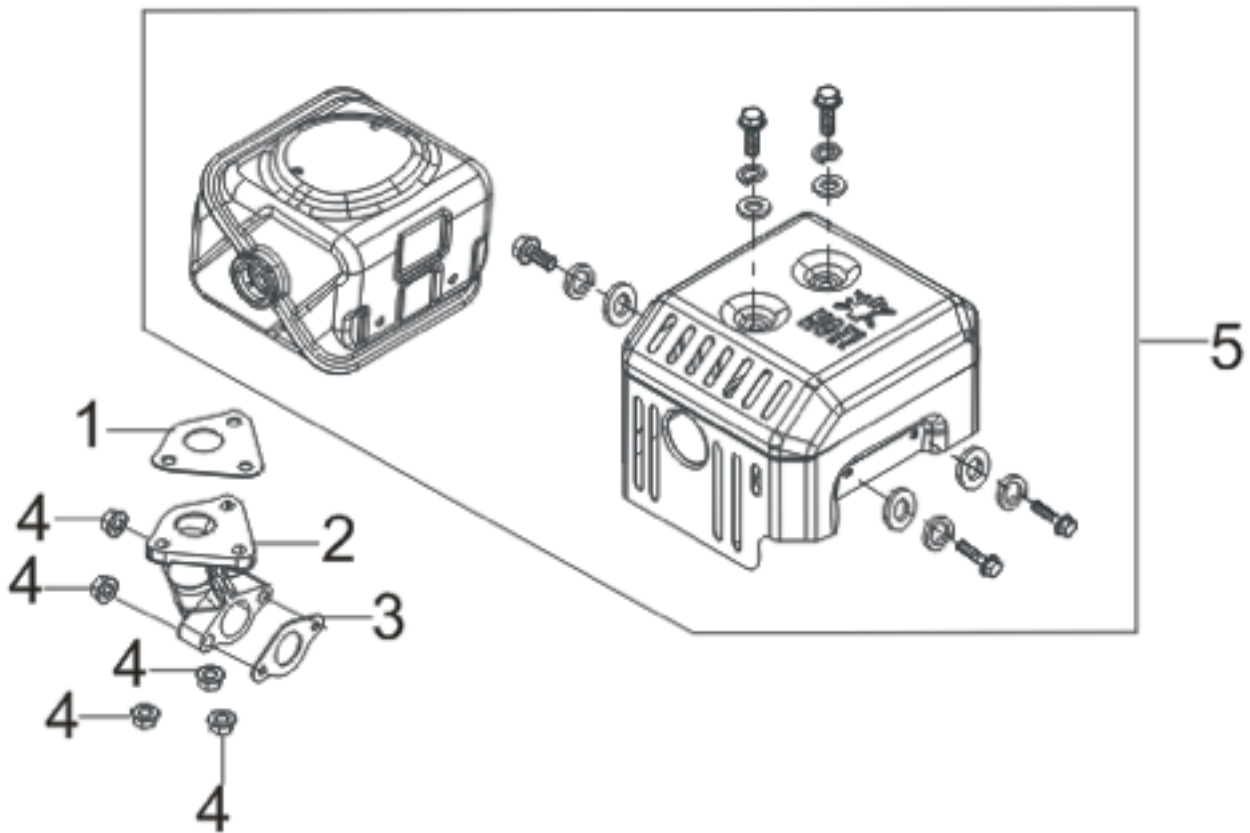
FIG.12 CLEANER, AIR (F01)



REF.NO.	PART NO	DESCRIPTION	Q'TY
F01-1	90305-0600-31A0	NUT	2
F01-2	17150-Z100110-00A0	ELEMENT, AIR CLEANER	1
F01-3	90007-0620-A1A0	BOLT	1
F01-4	17100-Z100110-00A0	CLEANER, AIR	1

R390 GASOLINE ENGINE

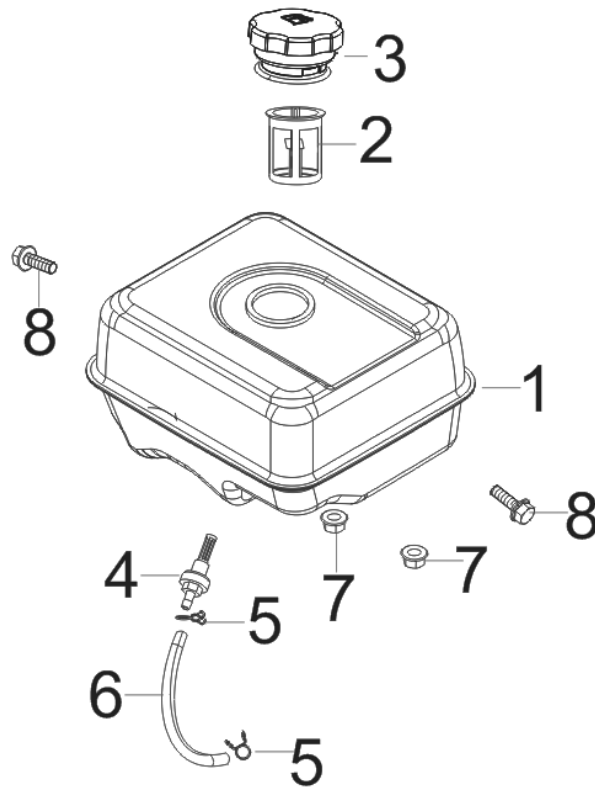
FIG.13 MUFFLER ASSY. (F02)



REF.NO.	PART NO	DESCRIPTION	Q'TY
F04-1	18101-Z080110-00A0	GASKET, MUFFLER	1
F04-2	18150-Z080210-00A0	PIPE, EXHAUST	1
F04-3	18001-Z190110-00A0	GASKET, EXHAUST OUTLET	1
F04-4	90305-0800-31A0	NUT	5
F04-5	18100-Z100610-00A0	MUFFLER ASSY.	2

R390 GASOLINE ENGINE

FIG.14 TANK ASSY, FUEL (F03)



REF.NO.	PART NO	DESCRIPTION	Q'TY
F03-1	16620-Z090110-H3AP	TANK, FUEL	1
F03-2	16652-Z010610-00A0	STRAINER , FUEL	1
F03-3	16730-Z010820-QBA0	COVER, FUEL TANK	1
F03-4	16680-Z010110-00A0	OUTLET SUBASSEMBLY, FUEL TANK OIL	1
F03-5	90740-Z010510-00A0	COLLAR	2
F03-6	90686-Z520110-00A0	TUBE, FUEL	1
F03-7	90305-0800-31A0	NUT	2
F03-8	90001-0825-01A0	BOLT	2