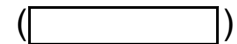


PARTS CATALOGUE

EH65K2851 (7D5B) EUR



1U7D5-300E1



EH65K2851
PARTS CATALOGUE
©2019 by Yamaha Motor Co., Ltd.
1st edition, October 2019
All rights reserved.
Any reprinting or unauthorized use
without the written permission of
Yamaha Motor Co., Ltd.
is expressly prohibited.
Printed in Japan.

FOREWORD

This Parts Catalogue is related to the parts for the model(s) on the cover page. When you are ordering replacement parts, please refer to this Parts Catalogue and quote both part numbers and part names correctly.

1. Modifications or additions which have been made after the issue of the Parts Catalogue will be announced in the Parts News.
It is advisable that you make the necessary corrections to the Parts Catalogue according to the Parts News.

2. Abbreviations

The following abbreviations are used in this Parts Catalogue.

“UR” Use specified parts number.

“UN” Use as many as needed.

“AP” Alternate Parts

“LM” Locally Made (Parts need to be ordered locally)

“F#” Frame No. (Applicable machine No.)

“O/S” Over Size

3. The number of components for assembly

- Parts, which are to be supplied in an assembly, are listed with a dot (.) in front of the part name as shown below.
- The numeral appearing to the right of each component part indicates the quantity of parts for each assembly unit.

PART NO.	DESCRIPTION	Q'TY	REMARKS
2F5-83310-60	FRONT FLASHER LIGHT ASSY	2	
115-83311-60	.BULB (6V-18W)	1	

4. Applicable colours of graphics are represented in the “REMARKS” as shown below.

PART NO.	DESCRIPTION	Q'TY	REMARKS
2N4-24110-00-X5	FUEL TANK COMP.	2	MXR
3J1-24240-10	.GRAPHIC, FUEL TANK	1	FOR MXR

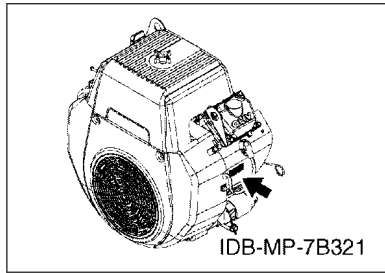
5. Note that the illustrations for reference in finding parts numbers are not to be used for assembling. When assembling, please use the applicable service manual.

6. The asterisk (*) before a reference number indicates modified items after the first edition.

FOREWORD

7. Applicable Serial No.

Frame Serial No.



8. Applicable Colour Code (The (*) mark shows Model colour.)

Abbreviation	Colour Name	Colour Code

9. Applicable Starting Serial No.

Engine Serial No.

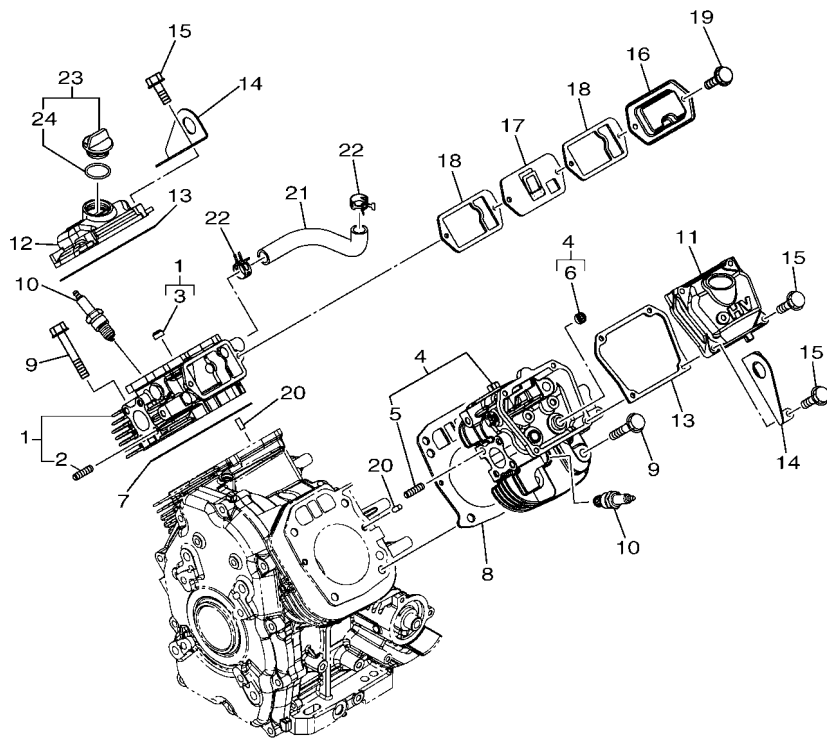
Serial No.	Name Of Q'ty Column	Model Code
7D5B-1000101	7D5B	7D5B

CONTENTS

CYLINDER.....	1
CRANKSHAFT & PISTON.....	2
GOVERNOR.....	3
CAMSHAFT & VALVE.....	5
AIR SHROUD & STARTER.....	6
LUBRICATION.....	7
INTAKE.....	8
CARBURETOR.....	9
EXHAUST.....	10
CRANKCASE.....	11
FUEL TANK.....	12
MAGNETO.....	13
ELECTRICAL.....	14
BODY FITTING.....	15

INDEX

NUMERICAL INDEX.....	16
----------------------	----



FWD
7D52010-T010

FIG. 1 CYLINDER

REF. NO.	PART NO.	DESCRIPTION	7D5B				REMARKS
1	7D3-11110-00	CYLINDER HEAD ASSY	1				
2	7D3-11179-00	.BOLT, STUD	4				
3	7D3-12119-00	.SEAL, VALVE STEM	1				
4	7D3-11120-00	CYLINDER HEAD ASSY 2	1				
5	7D3-11179-00	.BOLT, STUD	4				
6	7D3-12119-00	.SEAL, VALVE STEM	1				
7	7D3-11181-00	GASKET, CYLINDER HEAD 1	1				
8	7D3-11182-00	GASKET, CYLINDER HEAD 2	1				
9	7D3-5A116-00	BOLT, FLANGE	8				
10	7D3-1119C-00	PLUG, SPARK	2				
11	7D3-11191-00	COVER, CYLINDER HEAD 1	1				
12	7D3-11192-00	COVER, CYLINDER HEAD 2	1				
13	7D3-11355-00	SEAL, CYLINDER 1	2				
14	7D3-11119-00	HANGER, ENGINE	2				
15	7D3-5A100-00	BOLT, FLANGE	8				
16	7D3-15423-00	COVER 2	1				
17	7D3-13610-00	REED VALVE ASSY	1				
18	7D3-15374-00	GASKET, BREATHER	2				
19	7D3-5A142-00	BOLT, FLG. M6X14	2				
20	7D3-13516-00	PIN, DOWEL	4				
21	7D3-11166-00	PIPE, BREATHER 1	1				
22	7D3-11387-00	CLAMP, HOSE 1	2				
23	7D3-1536A-00	PLUG, OIL LEVEL	1				
24	7D3-15114-00	.O-RING	1				

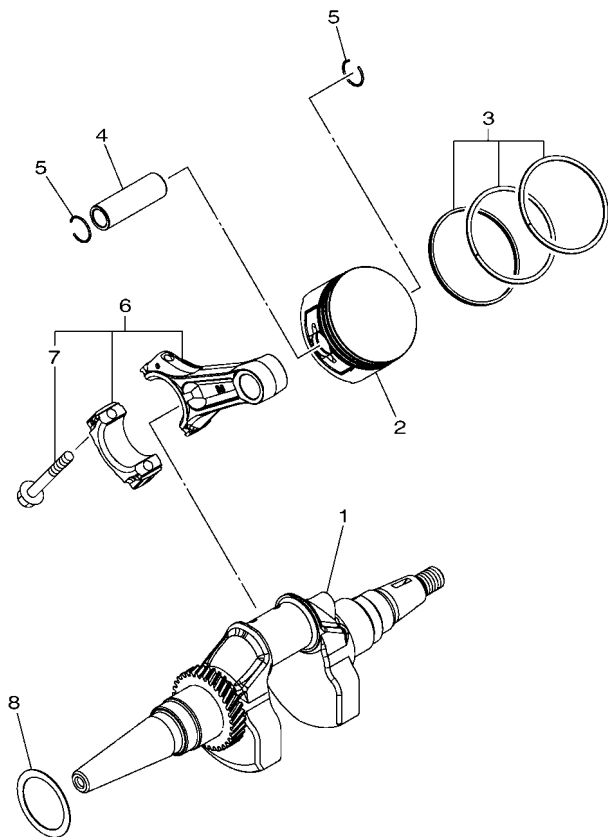


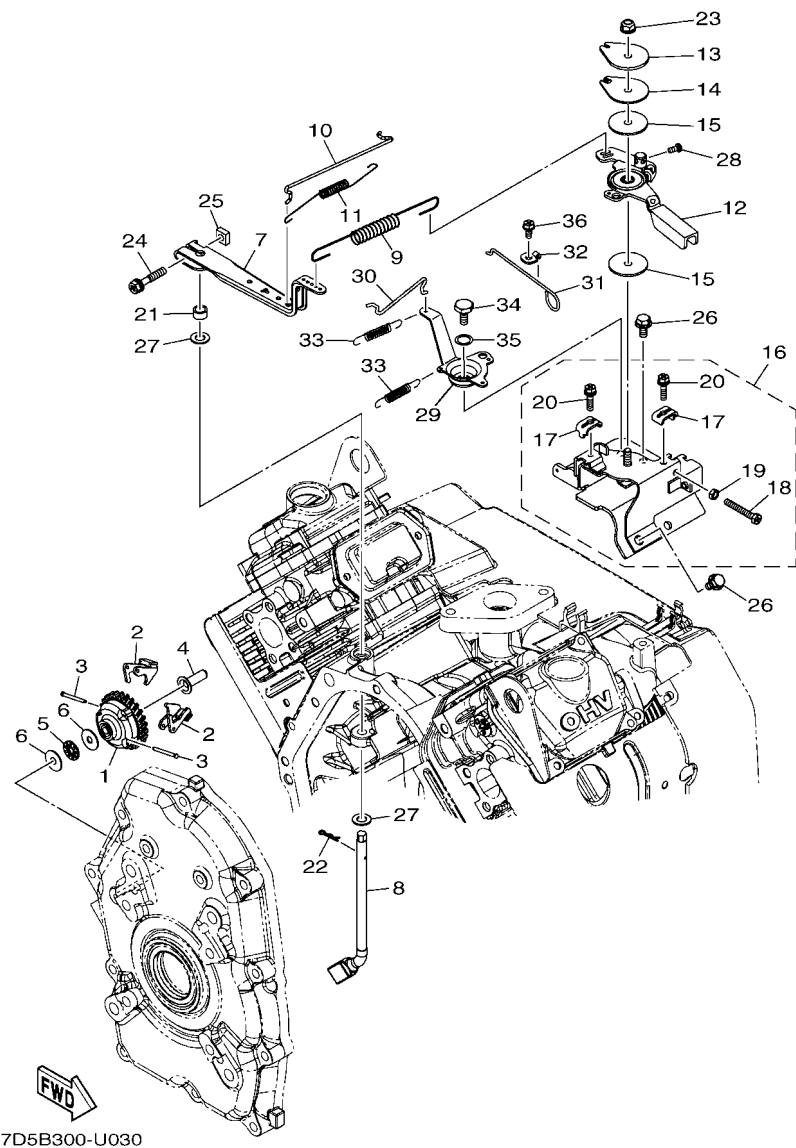
FIG. 2 CRANKSHAFT & PISTON

REF. NO.	PART NO.	DESCRIPTION	7D5B				REMARKS
1	7D3-11410-00	CRANKSHAFT	1				
2	7D3-11631-00	PISTON (STD)	2				
	7D3-11635-00	PISTON (0.25MM O/S)	1				AP
	7D3-11636-00	PISTON (0.50MM O/S)	1				AP
3	7D3-11610-00	PISTON RING SET (STD)	2				
	7D3-11610-10	PISTON RING SET (0.25MM O/S)	2				AP
	7D3-11610-20	PISTON RING SET (0.50MM O/S)	1				AP
4	7D3-11633-00	PIN, PISTON	2				
5	7D3-11486-00	CLIP	4				
6	7D3-11650-00	CONNECTING ROD ASSY	2				
7	7D3-11654-00	.BOLT, CONNECTING ROD	2				
8	7D3-11561-00	SHIM, CRANK 1	1				UR
	7D3-11561-10	SHIM, CRANK 1	1				UR
	7D3-11561-20	SHIM, CRANK 1	1				UR



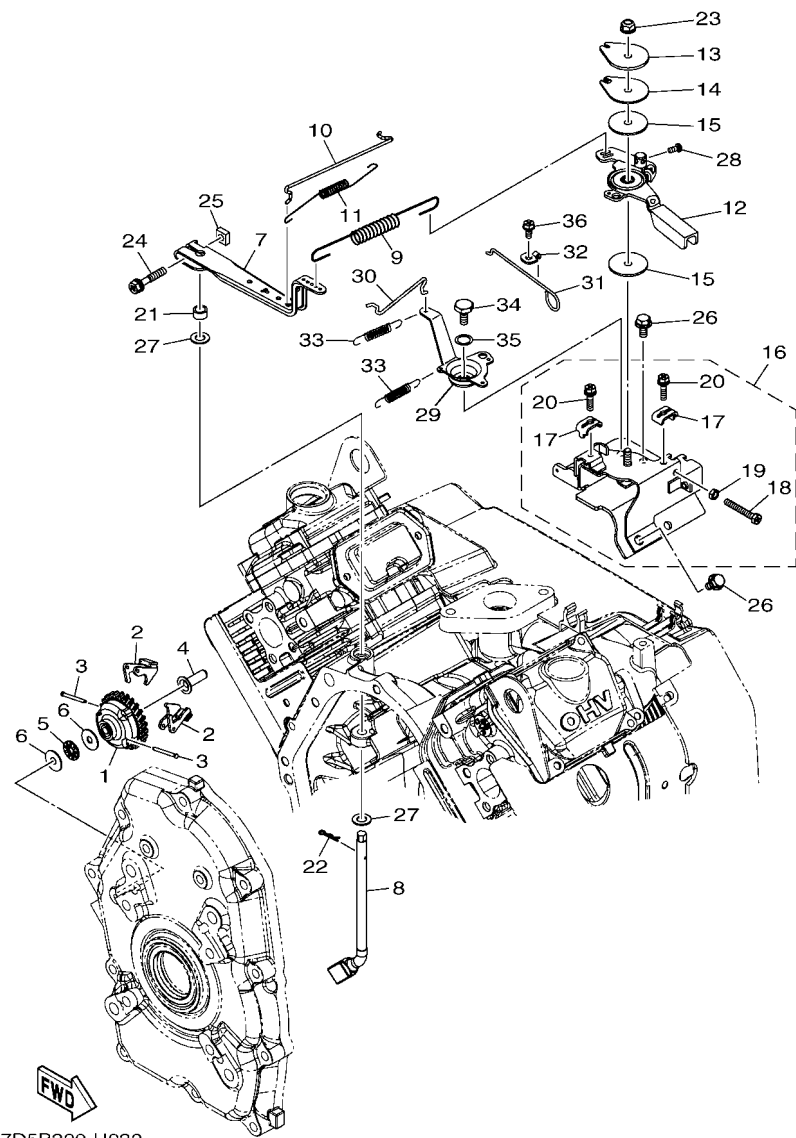
7D4B411-T020

FIG. 3 GOVERNOR



REF. NO.	PART NO.	DESCRIPTION	7D5B				REMARKS
1	7D3-11972-00	GEAR, FLYWEIGHT SHAFT	1				
2	7D3-11913-00	WEIGHT	2				
3	7D3-11914-00	SHAFT, WEIGHT	2				
4	7D3-11917-00	COLLAR	1				
5	7D3-11426-00	BEARING, THRUST 1	1				
6	7D3-5A433-00	WASHER, 2	2				
7	7D3-11924-00	ARM, GOVERNOR	1				
8	7D3-11922-10	FORK, GOVERNOR	1				
9	7B3-11925-10	SPRING, GOVERNOR	1				
10	7D3-11928-00	ROD, LINK	1				
11	7D3-11979-00	SPRING, ROD	1				
12	7D3-41270-00	ACCEL. LEVER ASSY 1	1				
13	7D3-41297-00	WASHER, 1	1				
14	7D3-5A402-00	WASHER, SPRING	1				
15	7D3-5A400-00	WASHER, PLAIN	2				
16	7D3-41240-00	THROTTLE LEVER COMP.	1				
17	7D3-11933-00	.PLATE, ADJUST	2				
18	7D3-54142-00	.BOLT,1	1				
19	7D3-54542-00	.NUT,1	1				
20	7D3-54143-00	.BOLT 2	2				
21	7D3-11588-00	SPACER	1				
22	7D3-5241F-00	PIN	1				
23	7D3-5A357-00	NUT, SELF-LOCKING	1				
24	7D3-5236L-20	BOLT, SPECIAL 1	1				
25	7D3-54545-00	NUT,2	1				
26	7D3-5A140-00	BOLT,FLG. M6X12	2				
27	7D3-5A403-00	WASHER, PLAIN	2				

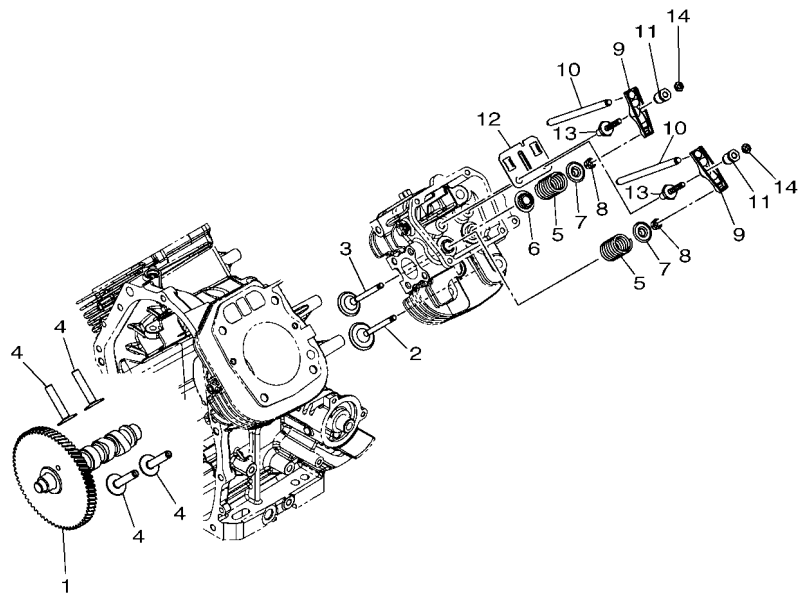
FIG. 3 GOVERNOR



7D5B300-U030

REF. NO.	PART NO.	DESCRIPTION	7D5B				REMARKS
28	7D3-11834-00	SCREW	1				
29	7D3-14582-00	LEVER	1				
30	7D3-41256-00	ROD, CHOKE 1	1				
31	7D3-41271-00	KNOB, CHOKE	1				
32	7D3-42823-00	PLATE, STOP	1				
33	7D3-43619-00	SPRING, TENSION	2				
34	7D3-5A122-00	BOLT	1				
35	7D3-5A429-00	WASHER	1				
36	7D3-5A201-00	SCREW, TAPPING	1				

FIG. 4 CAMSHAFT & VALVE

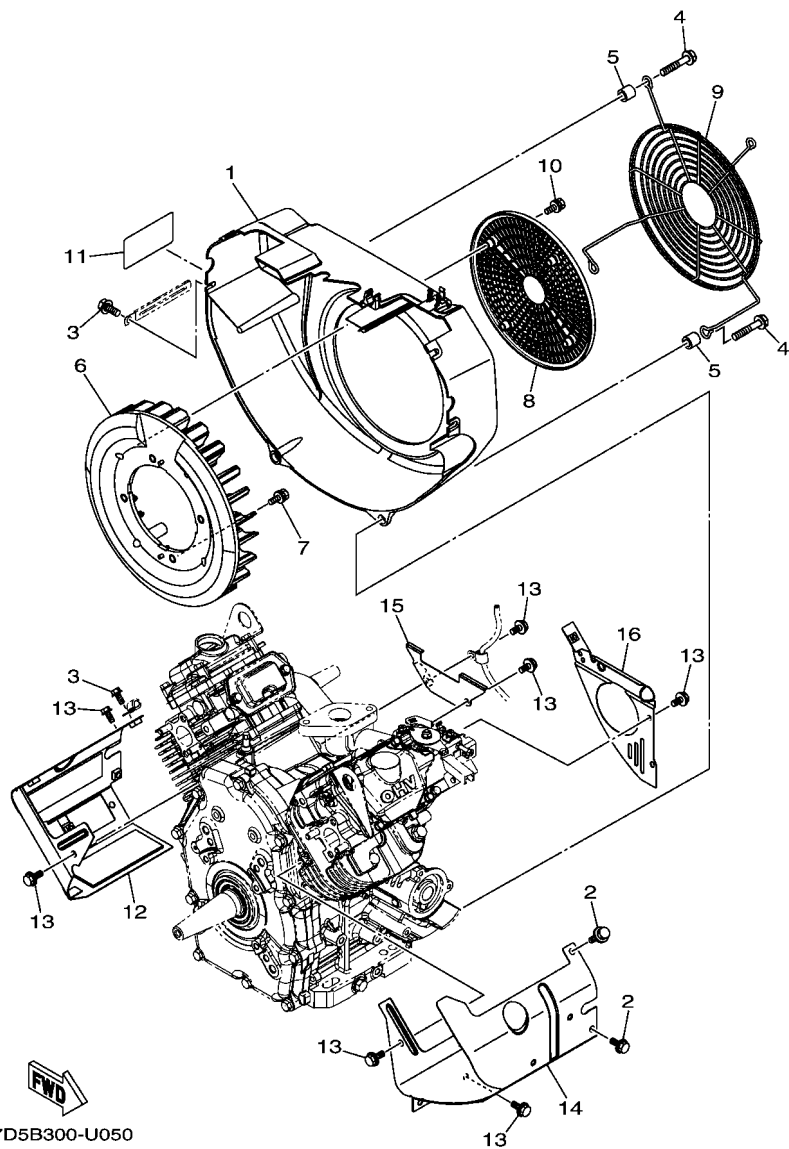


REF. NO.	PART NO.	DESCRIPTION	7D5B				REMARKS
1	7D3-12171-00	CAMSHAFT 1	1				
2	7D3-12111-00	VALVE, INTAKE	2				
3	7D3-12121-00	VALVE, EXHAUST	2				
4	7D3-12153-00	LIFTER, VALVE	4				
5	7D3-16173-00	SPRING, COMPRESSION	4				
6	7D3-12116-00	SEAT, VALVE SPRING	2				
7	7D3-12117-00	RETAINER, VALVE SPRING	4				
8	7D3-12118-00	LOCK, VALVE SPRING RETAINER	8				
9	7D3-12151-00	ARM, VALVE ROCKER	4				
10	7D3-12154-00	ROD, VALVE PUSH	4				
11	7D3-12165-00	PIVOT, ROCKER ARM	4				
12	7D3-12155-00	GUIDE, PUSH ROD	2				
13	7D3-12157-00	BOLT	4				
14	7D3-12158-00	NUT, LOCK	4				



7D4B411-T040

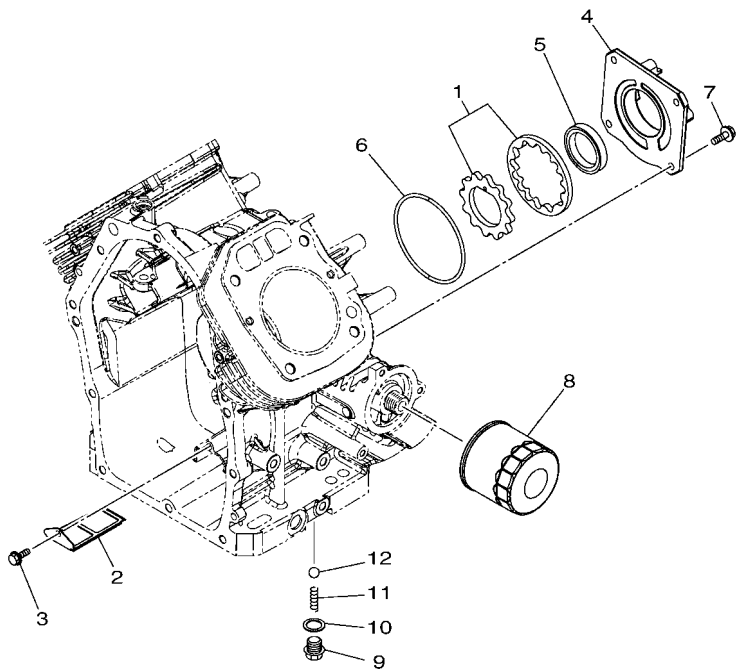
FIG. 5 AIR SHROUD & STARTER



7D5B300-U050

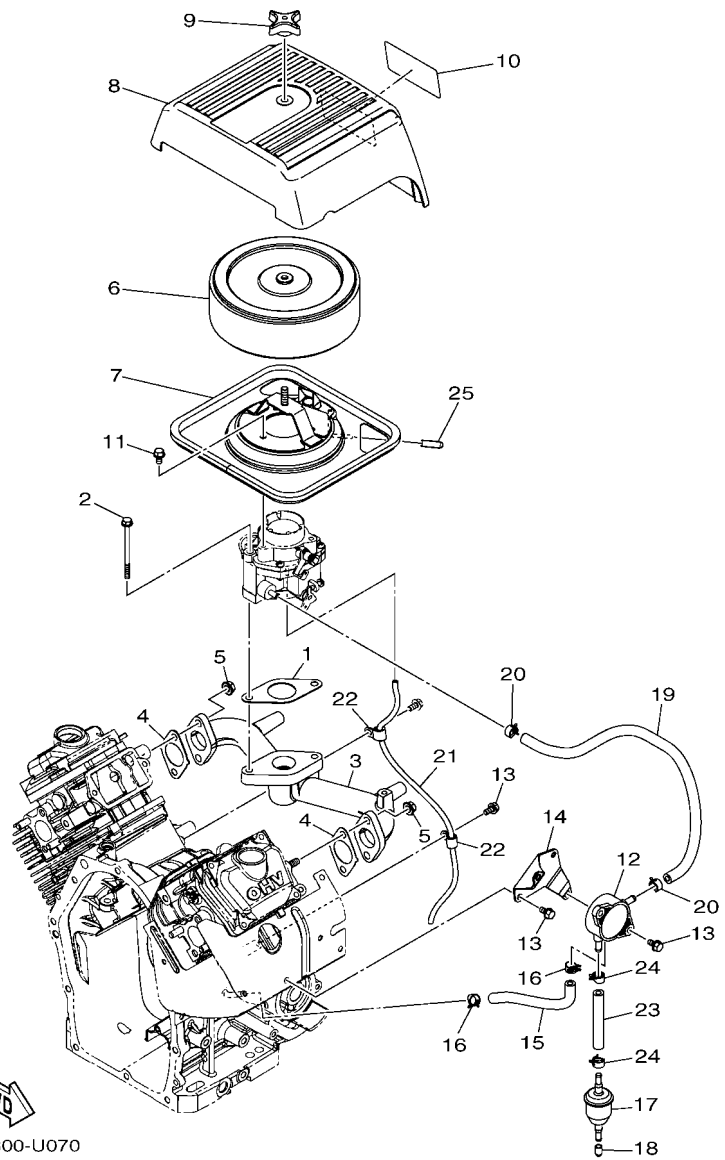
REF. NO.	PART NO.	DESCRIPTION	7D5B				REMARKS
1	7D5-12621-00	CASE, FAN	1				
2	7D3-5A142-00	BOLT, FLG. M6X14	2				
3	7D3-5A102-00	BOLT, FLANGE	2				
4	7D3-5A102-20	BOLT, FLANGE	4				
5	7D5-11588-00	SPACER	4				
6	7D5-12611-00	FAN	1				
7	7D3-5236L-00	BOLT, SPECIAL 1	4				
8	7D5-12681-00	PLATE	1				
9	7D5-1261J-00	COVER 1	1				
10	7D3-5238M-00	SCREW, SPECIAL 2	4				
11	7D3-24162-00	EMBLEM 2	1				
12	7D3-12620-00	AIR SHROUD ASSY	1				
13	7D3-5A140-00	BOLT, FLG. M6X12	8				
14	7D3-12650-00	AIR SHROUD ASSY.,2	1				
15	7D3-12653-00	AIR SHROUD, CYLINDER 3	1				
16	7D3-12654-00	AIR SHROUD, CYLINDER 4	1				

FIG. 6 LUBRICATION



7D52010-T060

REF. NO.	PART NO.	DESCRIPTION	7D5B				REMARKS
1	7D3-13310-00	ROTOR ASSY 1	1				
2	7D3-13411-00	STRAINER, OIL	1				
3	7D3-54547-00	BOLT, FLG. 1	1				
4	7D3-13316-00	COVER, PUMP	1				
5	7D3-17499-00	OIL SEAL	1				
6	7D3-13016-00	O-RING	1				
7	7D3-5A142-00	BOLT, FLG. M6X14	4				
8	7D3-13440-00	ELEMENT ASSY, OIL CLEANER	1				
9	7D3-13455-00	PLUG	1				
10	7D3-13475-00	GASKET	1				
11	7D3-22977-00	SPRING, RELIEF	1				
12	7D3-17051-00	BALL	1				

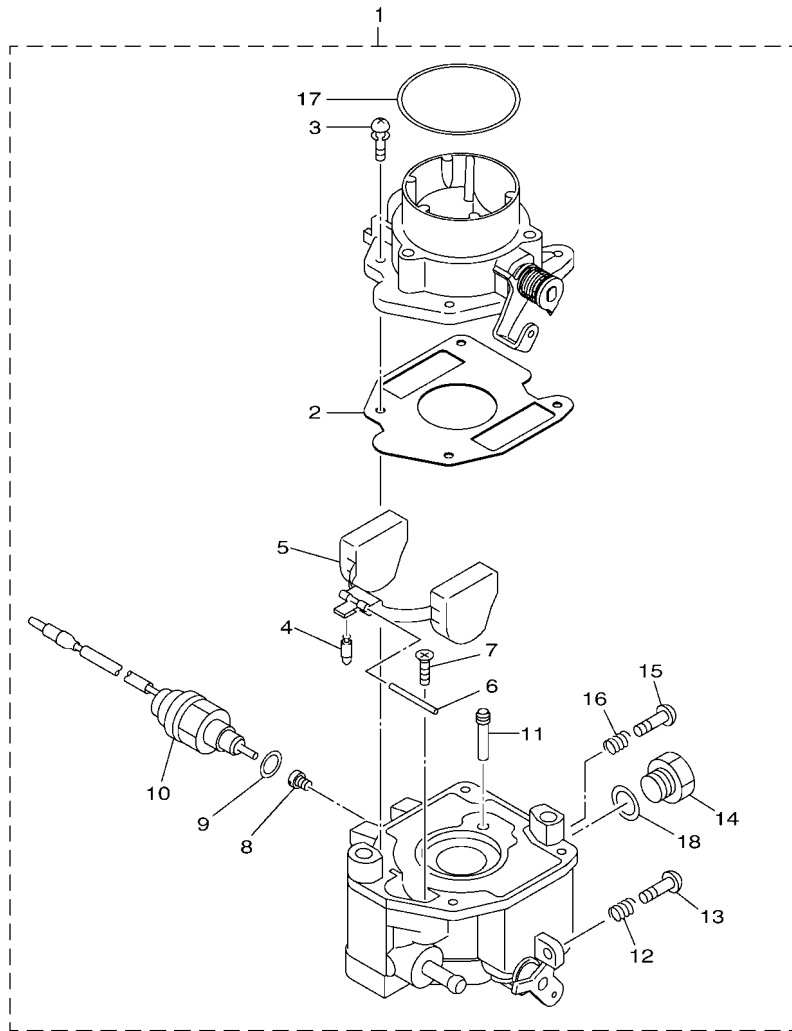


7D5B300-U070

FIG. 7 INTAKE

REF. NO.	PART NO.	DESCRIPTION	7D5B				REMARKS
1	7D3-13557-00	GASKET	1				
2	7D3-5A108-00	BOLT, FLANGE	2				
3	7D3-13585-00	MANIFOLD	1				
4	7D3-13566-00	GASKET	2				
5	7D3-5A332-00	NUT, FLG.	4				
6	7D3-14451-00	ELEMENT, AIR CLEANER	1				
7	7D5-14472-10	PLATE, ELEMENT	1				
8	7D3-14412-01	CAP, CLEANER CASE 1	1				
9	7D3-43372-00	NUT, WING	1				
10	7D5-12629-00	EMBLEM	1				
11	7D3-5A140-00	BOLT, FLG. M6X12	3				
12	JX4-24410-01	FUEL PUMP ASSY	1				
13	7D3-5A140-00	BOLT, FLG. M6X12	5				
14	7D3-24426-00	BRACKET, FUEL PUMP 2	1				
15	7D3-1243E-00	HOSE 2	1				
16	7D3-14137-00	CLIP	2				
17	7D3-24502-00	FILTER, FUEL	1				
18	4NX-25335-00	CAP	1				
19	7D3-13971-00	PIPE, FUEL 1	1				
20	7D3-14137-00	CLIP	2				
21	7D3-1531A-00	HOSE, BREATHER 1	1				
22	7D3-81128-00	CLAMP	2				
23	7D3-13972-00	PIPE, FUEL 2	1				
24	7D3-14137-00	CLIP	2				
25	7D5-13587-00	CAP, JOINT	1				

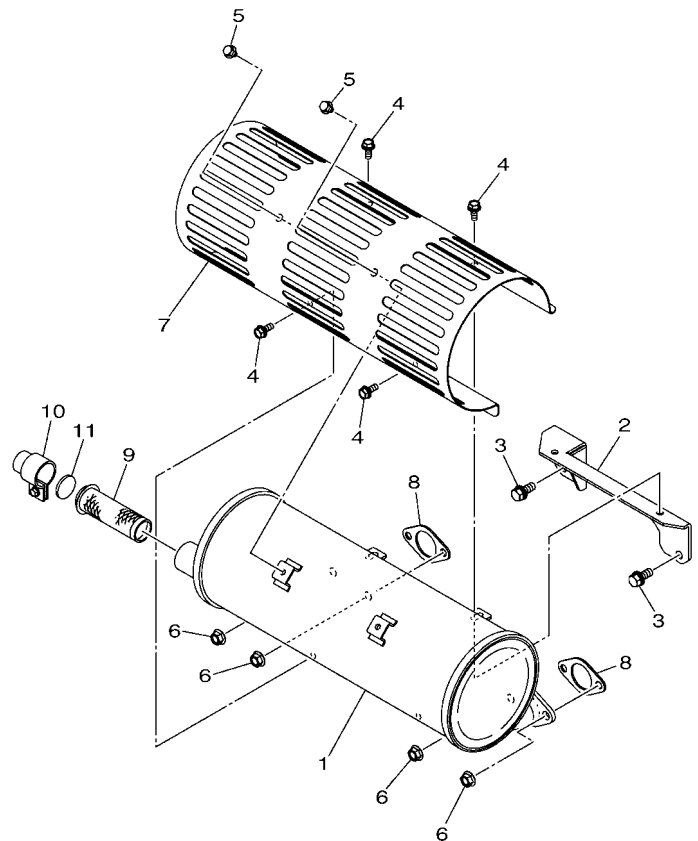
FIG. 8 CARBURETOR



7D52013-T080

REF. NO.	PART NO.	DESCRIPTION	7D5B				REMARKS
1	7D5-14101-11	CARBURETOR ASSY 1	1				
2	7D3-14184-00	.GASKET, FLOAT CHAMBER	1				
3	7D3-14216-00	.SCREW	4				
4	7D3-14150-00	.NEEDLE ASSY	1				
5	7D3-14185-00	.FLOAT	1				
6	7D3-14186-00	.PIN, FLOAT	1				
7	7D3-14429-00	.SCREW	1				
8	7D3-1492E-66	.JET, MAIN	1				
9	7D3-14398-00	.GASKET	1				
10	7D3-1410H-00	.FUEL CUT SOLENOID VALVE	1				
11	7D3-1492F-30	.JET, AIR SLOW	1				
12	7D3-14531-00	.SPRING, ADJUST SCREW	1				
13	7D3-14922-00	.SCREW, THROTTLE	1				
14	7D3-14862-00	.PLUG	1				
15	7D3-14191-00	.PLUG, DRAIN	1				
16	7D3-14223-00	.SPRING, DRAIN VALVE	1				
17	7D3-14147-00	.O-RING	1				
18	7D3-14959-00	.GASKET	1				

FIG. 9 EXHAUST

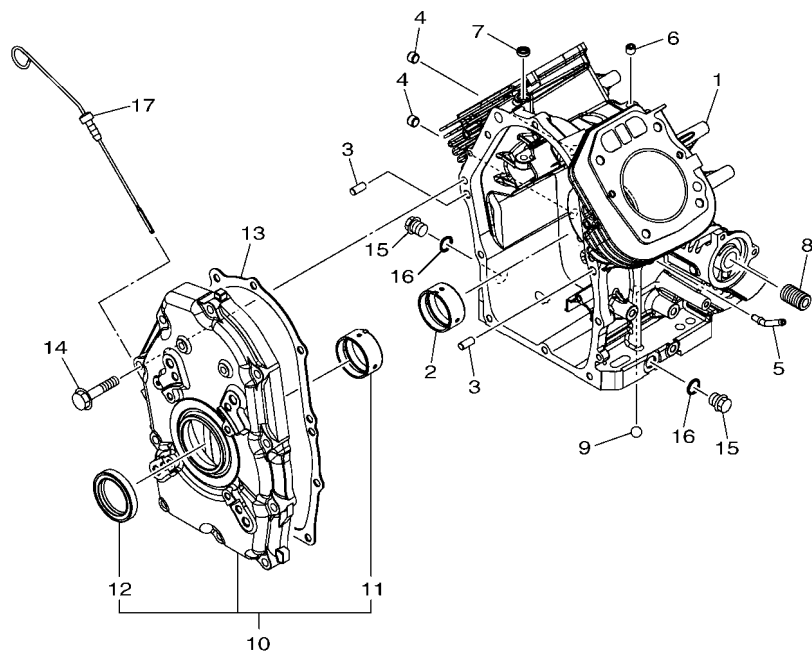


REF. NO.	PART NO.	DESCRIPTION	7D5B				REMARKS
1	7D3-14711-00	MUFFLER 1	1				
2	7D3-1471K-00	BRACKET 1-1	1				
3	7D3-5236P-00	BOLT,SPECIAL 4	2				
4	7D3-5A142-00	BOLT,FLG. M6X14	4				
5	7D3-5A134-00	BOLT, FLANGE M6-1.0X8	2				
6	7D3-5A332-00	NUT,FLG.	4				
7	7D3-14718-00	PROTECTOR, MUFFLER 1	1				
8	7D3-14613-00	GASKET, EXHAUST PIPE	2				
9	7D3-14786-00	ARRESTER, SPARK	1				
10	7D5-1477A-00	FIBER,1	1				
11	7D3-1477K-00	PLATE 1	1				



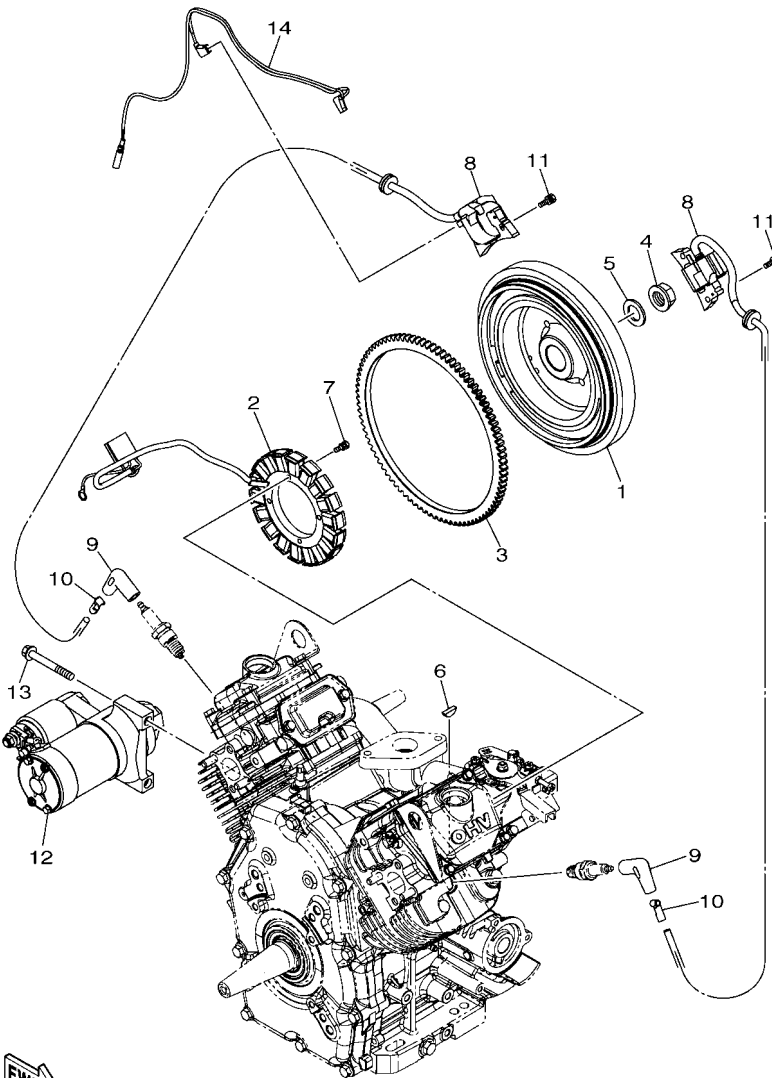
7B3B300-T090

FIG. 10 CRANKCASE



REF. NO.	PART NO.	DESCRIPTION	7D5B				REMARKS
1	7D3-15111-00	CRANKCASE 1	1				
2	7D3-15693-00	BEARING	1				
3	7D3-15181-00	PIN, DOWEL	2				
4	7D3-15541-00	COLLAR	2				
5	7D3-14485-00	PIPE, JOINT	1				
6	7D3-15167-00	PLUG, BLIND 1	1				
7	7D3-1511A-00	OIL SEAL	1				
8	7D3-17056-00	BOLT, UNION	1				
9	7D3-1431C-00	BALL,BLIND 2	1				
10	7D3-15410-00	CRANKCASE COVER ASSY 1	1				
11	7D3-15693-00	.BEARING	1				
12	7D3-1511B-00	.OIL SEAL	1				
13	7D3-15451-00	GASKET, CRANKCASE COVER 1	1				
14	7D3-5A112-00	BOLT, FLANGE	10				
15	7D3-15351-00	PLUG, DRAIN	2				
16	7D3-11198-00	GASKET	2				
17	7D3-15361-00	GAUGE, LEVEL	1				

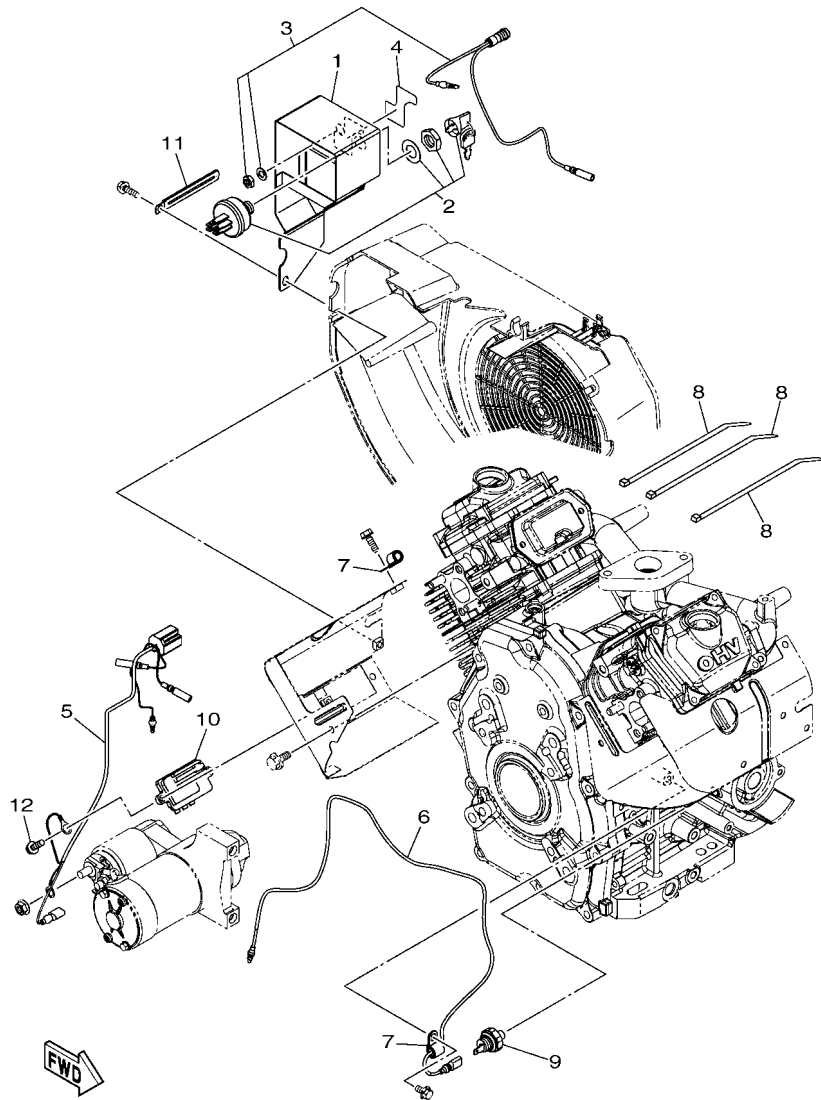

7D5B300-U100



7D5B300-U120

FIG. 12 MAGNETO

REF. NO.	PART NO.	DESCRIPTION	7D5B				REMARKS
1	7D3-85550-00	ROTOR ASSY	1				
2	7D3-81410-00	STATOR ASSY	1				
3	7D3-81891-00	GEAR, RING	1				
4	7D3-11555-00	NUT, CRANKSHAFT 1	1				
5	7D3-5A405-00	WASHER, PLAIN	1				
6	7D3-11545-00	KEY, WOODRUFF	1				
7	7D3-5159J-00	BOLT, SPECIAL 1	4				
8	7D3-82310-00	IGNITION COIL ASSY	2				
9	7D3-82370-00	PLUG CAP ASSY	2				
10	7D3-81925-00	TERMINAL	2				
11	7D3-5236L-10	BOLT, SPECIAL 1	4				
12	7D3-81800-00	STARTING MOTOR ASSY	1				
13	7D3-5A106-00	BOLT, FLANGE	2				
14	7D3-81115-00	WIRE, LEAD	1				



7D53010-U120

FIG. 13 ELECTRICAL

REF. NO.	PART NO.	DESCRIPTION	7D5B				REMARKS
1	7D3-82568-00	COVER, MAIN SWITCH	1				
2	7D3-82511-00	KEY, MAIN SWITCH	1				
3	7D3-85770-01	OIL PILOT LIGHT ASSY	1				
4	7D3-24156-00	INDICATOR, STARTER LEVER	1				
5	7D3-82105-00	WIRE HARNESS	1				
6	7D3-82117-00	WIRE, LEAD	1				
7	7D3-81128-00	CLAMP	2				
8	7D3-81328-00	CLAMP	3				
9	7D3-82504-00	OIL PRESSURE SWITCH ASSY	1				
10	7D3-81960-00	RECTIFIER & REGULATOR ASSY	1				
11	7D3-81528-00	CLAMP 1	1				
12	7D3-5A102-00	BOLT, FLANGE	2				

NUMERICAL INDEX

PART NO.	REF. NO.	PART NO.	REF. NO.	PART NO.	REF. NO.	PART NO.	REF. NO.	PART NO.	REF. NO.	PART NO.	REF. NO.
7D3-11110-00	1 - 1	7D3-12119-00	1 - 3	7D3-14223-00	8 - 16	7D5-241A1-00	14 - 4	7D3-5A201-00	3 - 36		
7D3-11119-00	1 - 14		1 - 6	7D3-1431C-00	10 - 9	7D3-24201-00	11 - 1	7D3-5A332-00	7 - 5		
7D3-11120-00	1 - 4	7D3-12121-00	4 - 3	7D3-14398-00	8 - 9	JX4-24410-01	7 - 12		9 - 6		
7D3-11166-00	1 - 21	7D3-12151-00	4 - 9	7D3-14412-01	7 - 8	7D3-24426-00	7 - 14	7D3-5A357-00	3 - 23		
7D3-11179-00	1 - 2	7D3-12153-00	4 - 4	7D3-14429-00	8 - 7	7B3-24500-01	14 - 3	7D3-5A400-00	3 - 15		
	1 - 5	7D3-12154-00	4 - 10	7D3-14451-00	7 - 6	7D3-24502-00	7 - 17	7D3-5A402-00	3 - 14		
7D3-11181-00	1 - 7	7D3-12155-00	4 - 12	7D5-14472-10	7 - 7	7B3-24610-00	11 - 3	7D3-5A403-00	3 - 27		
7D3-11182-00	1 - 8	7D3-12157-00	4 - 13	7D3-14485-00	10 - 5	4NX-25335-00	7 - 18	7D3-5A405-00	12 - 5		
7D3-11191-00	1 - 11	7D3-12158-00	4 - 14	7D3-14531-00	8 - 12	7D3-28100-00	14 - 1	7D3-5A429-00	3 - 35		
7D3-11192-00	1 - 12	7D3-12165-00	4 - 11	7D3-14582-00	3 - 29	7D3-41240-00	3 - 16	7D3-5A433-00	3 - 6		
7D3-11198-00	10 - 16	7D3-12171-00	4 - 1	7D3-14613-00	9 - 8	7D3-41256-00	3 - 30	7D3-81115-00	12 - 14		
7D3-1119C-00	1 - 10	7D3-1243E-00	7 - 15	7D3-14711-00	9 - 1	7D3-41270-00	3 - 12	7D3-81128-00	7 - 22		
7D3-11355-00	1 - 13	7D5-12611-00	5 - 6	7D3-14718-00	9 - 7	7D3-41271-00	3 - 31		13 - 7		
7D3-11387-00	1 - 22	7D5-1261J-00	5 - 9	7D3-1471K-00	9 - 2	7D3-41297-00	3 - 13	7D3-81328-00	13 - 8		
7D3-11410-00	2 - 1	7D3-12620-00	5 - 12	7D5-1477A-00	9 - 10	7D3-42823-00	3 - 32	7D3-81410-00	12 - 2		
7D3-11426-00	3 - 5	7D5-12621-00	5 - 1	7D3-1477K-00	9 - 11	7D3-43372-00	7 - 9	7D3-81528-00	13 - 11		
7D3-11486-00	2 - 5	7D5-12629-00	7 - 10	7D3-14786-00	9 - 9	7D3-43619-00	3 - 33	7D3-81800-00	12 - 12		
7D3-11545-00	12 - 6	7D3-12650-00	5 - 14	7D3-14862-00	8 - 14	7D3-5159J-00	12 - 7	7D3-81891-00	12 - 3		
7D3-11555-00	12 - 4	7D3-12653-00	5 - 15	7D3-14922-00	8 - 13	7D3-5169F-10	11 - 4	7D3-81925-00	12 - 10		
7D3-11561-00	2 - 8	7D3-12654-00	5 - 16	7D3-1492E-66	8 - 8	7D3-5236L-00	5 - 7	7D3-81960-00	13 - 10		
7D3-11561-10	2 - 8	7D5-12681-00	5 - 8	7D3-1492F-30	8 - 11	7D3-5236L-10	12 - 11	7D3-82105-00	13 - 5		
7D3-11561-20	2 - 8	7D3-13016-00	6 - 6	7D3-14959-00	8 - 18	7D3-5236L-20	3 - 24	7D3-82117-00	13 - 6		
7D3-11588-00	3 - 21	7D3-13310-00	6 - 1	7D3-15111-00	10 - 1	7D3-5236P-00	9 - 3	7D3-82310-00	12 - 8		
7D5-11588-00	5 - 5	7D3-13316-00	6 - 4	7D3-15114-00	1 - 24	7D3-5238M-00	5 - 10	7D3-82370-00	12 - 9		
7D3-11610-00	2 - 3	7D3-13411-00	6 - 2	7D3-1511A-00	10 - 7	7D3-5241F-00	3 - 22	7D3-82504-00	13 - 9		
7D3-11610-10	2 - 3	7D3-13440-00	6 - 8	7D3-1511B-00	10 - 12	7D3-54142-00	3 - 18	7D3-82511-00	13 - 2		
7D3-11610-20	2 - 3	7D3-13455-00	6 - 9	7D3-15167-00	10 - 6	7D3-54143-00	3 - 20	7D3-82568-00	13 - 1		
7D3-11631-00	2 - 2	7D3-13475-00	6 - 10	7D3-15181-00	10 - 3	7D3-54542-00	3 - 19	7D3-85550-00	12 - 1		
7D3-11633-00	2 - 4	7D3-13516-00	1 - 20	7D3-1531A-00	7 - 21	7D3-54545-00	3 - 25	7D3-85710-00	11 - 2		
7D3-11635-00	2 - 2	7D3-13557-00	7 - 1	7D3-15351-00	10 - 15	7D3-54547-00	6 - 3	7D3-85770-01	13 - 3		
7D3-11636-00	2 - 2	7D3-13566-00	7 - 4	7D3-15361-00	10 - 17	7D3-5A100-00	1 - 15				
7D3-11650-00	2 - 6	7D3-13585-00	7 - 3	7D3-1536A-00	1 - 23	7D3-5A102-00	5 - 3				
7D3-11654-00	2 - 7	7D5-13587-00	7 - 25	7D3-15374-00	1 - 18		13 - 12				
7D3-11834-00	3 - 28	7D3-13610-00	1 - 17	7D3-15410-00	10 - 10	7D3-5A102-20	5 - 4				
7D3-11913-00	3 - 2	7D3-13971-00	7 - 19	7D3-15423-00	1 - 16	7D3-5A106-00	12 - 13				
7D3-11914-00	3 - 3	7D3-13972-00	7 - 23	7D3-15451-00	10 - 13	7D3-5A108-00	7 - 2				
7D3-11917-00	3 - 4	7D5-14101-11	8 - 1	7D3-15541-00	10 - 4	7D3-5A112-00	10 - 14				
7D3-11922-10	3 - 8	7D3-1410H-00	8 - 10	7D3-15693-00	10 - 2	7D3-5A116-00	1 - 9				
7D3-11924-00	3 - 7	7D3-14137-00	7 - 16		10 - 11	7D3-5A122-00	3 - 34				
7B3-11925-10	3 - 9		7 - 20	7D3-16173-00	4 - 5	7D3-5A134-00	9 - 5				
7D3-11928-00	3 - 10		7 - 24	7D3-17051-00	6 - 12	7D3-5A140-00	3 - 26				
7D3-11933-00	3 - 17	7D3-14147-00	8 - 17	7D3-17056-00	10 - 8		5 - 13				
7D3-11972-00	3 - 1	7D3-14150-00	8 - 4	7D3-17499-00	6 - 5		7 - 11				
7D3-11979-00	3 - 11	7D3-14184-00	8 - 2	7D3-22977-00	6 - 11		7 - 13				
7D3-12111-00	4 - 2	7D3-14185-00	8 - 5	7D3-24156-00	13 - 4	7D3-5A142-00	1 - 19				
7D3-12116-00	4 - 6	7D3-14186-00	8 - 6	7B3-24162-00	14 - 2		5 - 2				
7D3-12117-00	4 - 7	7D3-14191-00	8 - 15	7D3-24162-00	5 - 11		6 - 7				
7D3-12118-00	4 - 8	7D3-14216-00	8 - 3	7B3-24167-00	11 - 5		9 - 4				