

# PARTS CATALOGUE

## EH72A5043 ( 7B3J ) EUR

---



1V7B3-300E5

( )

EH72A5043  
PARTS CATALOGUE  
©2020 by Yamaha Motor Co., Ltd.  
1st edition, April 2020  
All rights reserved.  
Any reprinting or unauthorized use  
without the written permission of  
Yamaha Motor Co., Ltd.  
is expressly prohibited.  
Printed in Japan.

# FOREWORD

This Parts Catalogue is related to the parts for the model(s) on the cover page. When you are ordering replacement parts, please refer to this Parts Catalogue and quote both part numbers and part names correctly.

1. Modifications or additions which have been made after the issue of the Parts Catalogue will be announced in the Parts News.  
It is advisable that you make the necessary corrections to the Parts Catalogue according to the Parts News.

2. Abbreviations

The following abbreviations are used in this Parts Catalogue.

“UR” Use specified parts number.

“UN” Use as many as needed.

“AP” Alternate Parts

“LM” Locally Made (Parts need to be ordered locally)

“F#” Frame No. (Applicable machine No.)

“O/S” Over Size

3. The number of components for assembly

- Parts, which are to be supplied in an assembly, are listed with a dot (.) in front of the part name as shown below.
- The numeral appearing to the right of each component part indicates the quantity of parts for each assembly unit.

PART NO.	DESCRIPTION	Q'TY	REMARKS
2F5-83310-60	FRONT FLASHER LIGHT ASSY	2	
115-83311-60	.BULB (6V-18W)	1	

4. Applicable colours of graphics are represented in the “REMARKS” as shown below.

PART NO.	DESCRIPTION	Q'TY	REMARKS
2N4-24110-00-X5	FUEL TANK COMP.	2	MXR
3J1-24240-10	.GRAPHIC, FUEL TANK	1	FOR MXR

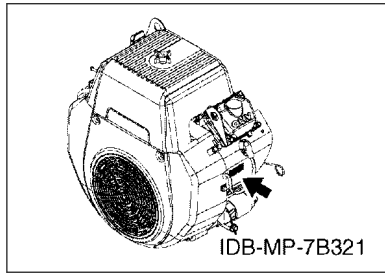
5. Note that the illustrations for reference in finding parts numbers are not to be used for assembling. When assembling, please use the applicable service manual.

6. The asterisk (\*) before a reference number indicates modified items after the first edition.

# FOREWORD

7. Applicable Serial No.

Frame Serial No.



8. Applicable Colour Code (The (\*) mark shows Model colour.)

Abbreviation	Colour Name	Colour Code

9. Applicable Starting Serial No.

Engine Serial No.

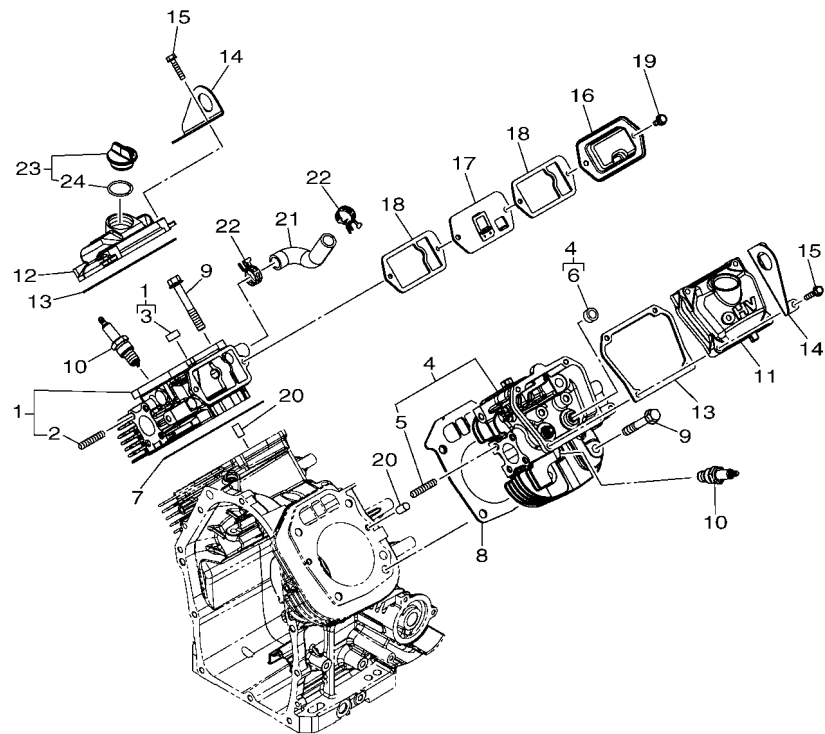
Serial No.	Name Of Q'ty Column	Model Code
7B3J-1000101	7B3J	7B3J

# CONTENTS

CYLINDER.....	1
CRANKSHAFT & PISTON.....	2
GOVERNOR.....	3
CAMSHAFT & VALVE.....	5
AIR SHROUD & STARTER.....	6
LUBRICATION.....	7
INTAKE.....	8
CARBURETOR.....	10
EXHAUST.....	11
CRANKCASE.....	12
MAGNETO.....	13
ELECTRICAL.....	14
BODY FITTING.....	15

## INDEX

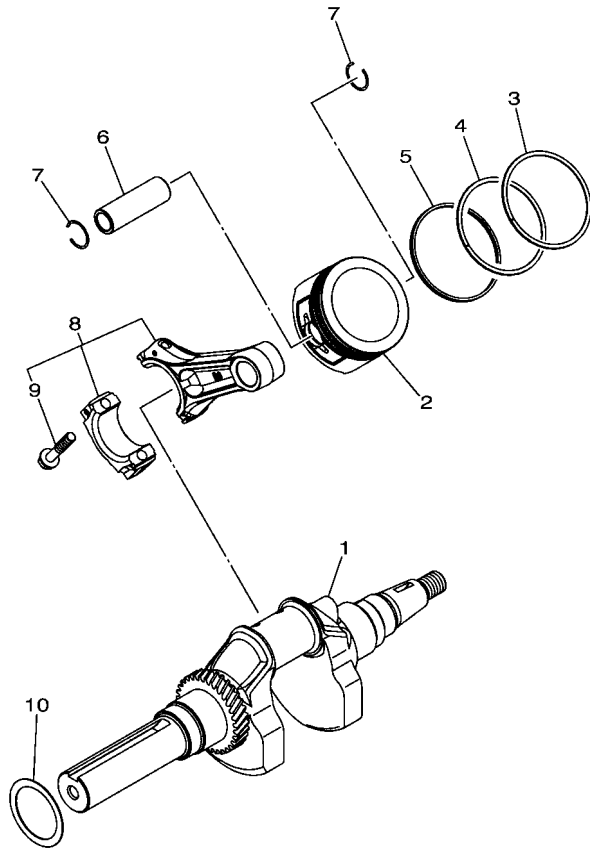
NUMERICAL INDEX.....	16
----------------------	----



7B32010-T010

FIG. 1 CYLINDER

REF. NO.	PART NO.	DESCRIPTION	7B3J				REMARKS
1	7B3-11110-00	CYLINDER HEAD ASSY	1				
2	7D3-11179-00	.BOLT, STUD	4				
3	7D3-12119-00	.SEAL, VALVE STEM	1				
4	7B3-11120-00	CYLINDER HEAD ASSY 2	1				
5	7D3-11179-00	.BOLT, STUD	4				
6	7D3-12119-00	.SEAL, VALVE STEM	1				
7	7B3-11181-00	GASKET, CYLINDER HEAD 1	1				
8	7B3-11182-00	GASKET, CYLINDER HEAD 2	1				
9	7D3-5A116-00	BOLT, FLANGE	8				
10	7D3-1119C-00	PLUG, SPARK	2				
11	7D3-11191-00	COVER, CYLINDER HEAD 1	1				
12	7D3-11192-00	COVER, CYLINDER HEAD 2	1				
13	7D3-11355-00	SEAL, CYLINDER 1	2				
14	7D3-11119-00	HANGER, ENGINE	2				
15	7D3-5A100-00	BOLT, FLANGE	8				
16	7D3-15423-00	COVER 2	1				
17	7D3-13610-00	REED VALVE ASSY	1				
18	7D3-15374-00	GASKET, BREATHER	2				
19	7D3-5A142-00	BOLT, FLG. M6X14	2				
20	7D3-13516-00	PIN, DOWEL	4				
21	7B3-11166-00	PIPE, BREATHER 1	1				
22	7D3-11387-00	CLAMP, HOSE 1	2				
23	7D3-1536A-00	PLUG, OIL LEVEL	1				
24	7D3-15114-00	.O-RING	1				

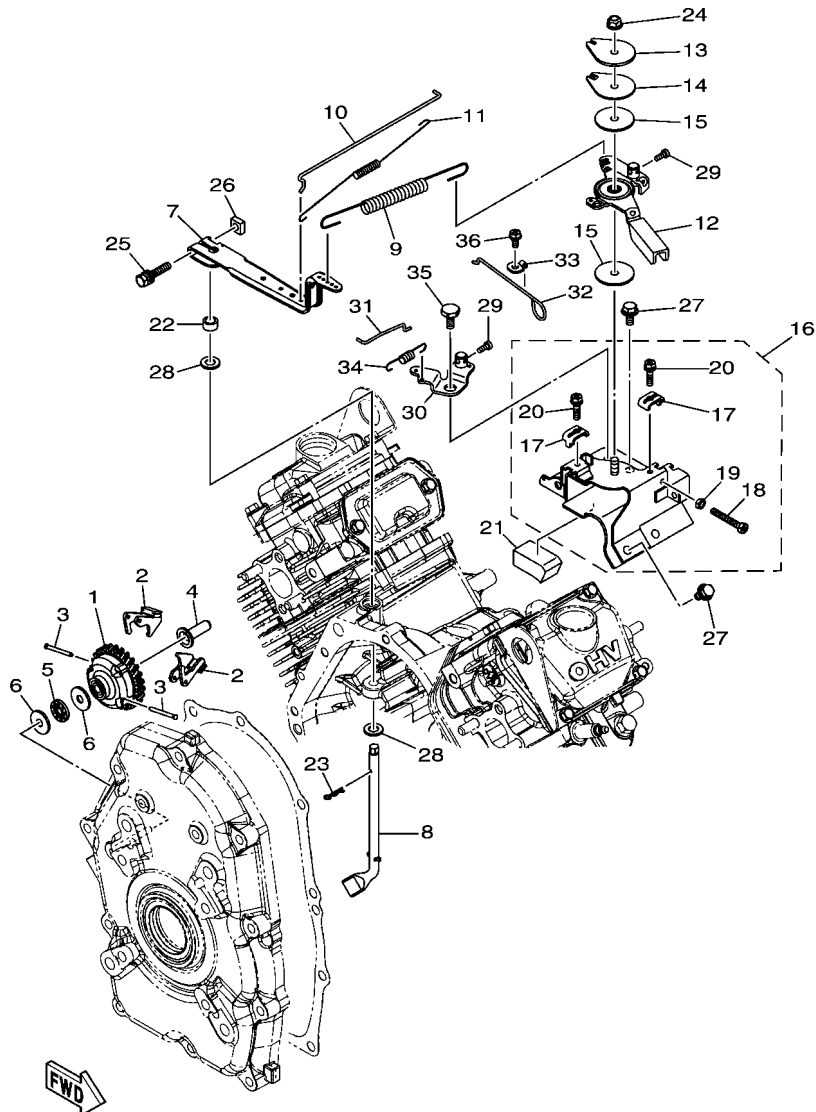


**FIG. 2 CRANKSHAFT & PISTON**

REF. NO.	PART NO.	DESCRIPTION	7B3J				REMARKS
1	7B3-11420-10	CRANKSHAFT	1				
2	7B3-11631-00	PISTON (STD)	2				
	7B3-11635-00	PISTON (0.25MM O/S)	2				AP
	7B3-11636-00	PISTON (0.50MM O/S)	2				AP
3	7B3-11611-00	RING, PISTON	2				
	7B3-11611-10	RING, PISTON	2				AP
	7B3-11611-20	RING, PISTON	2				AP
4	7B3-11612-00	2ND RING, PISTON	2				
	7B3-11612-10	2ND RING, PISTON	2				AP
	7B3-11612-20	2ND RING, PISTON	2				AP
5	7B3-11614-00	OIL RING, PISTON	2				
	7B3-11614-10	OIL RING, PISTON	2				AP
	7B3-11614-20	OIL RING, PISTON	2				AP
6	7D3-11633-00	PIN, PISTON	2				
7	7D3-11486-00	CLIP	4				
8	7D3-11650-00	CONNECTING ROD ASSY	2				
9	7D3-11654-00	.BOLT, CONNECTING ROD	2				
10	7D3-11561-00	SHIM, CRANK 1	1				UR
	7D3-11561-10	SHIM, CRANK 1	1				UR
	7D3-11561-20	SHIM, CRANK 1	1				UR



7B3J300-V020

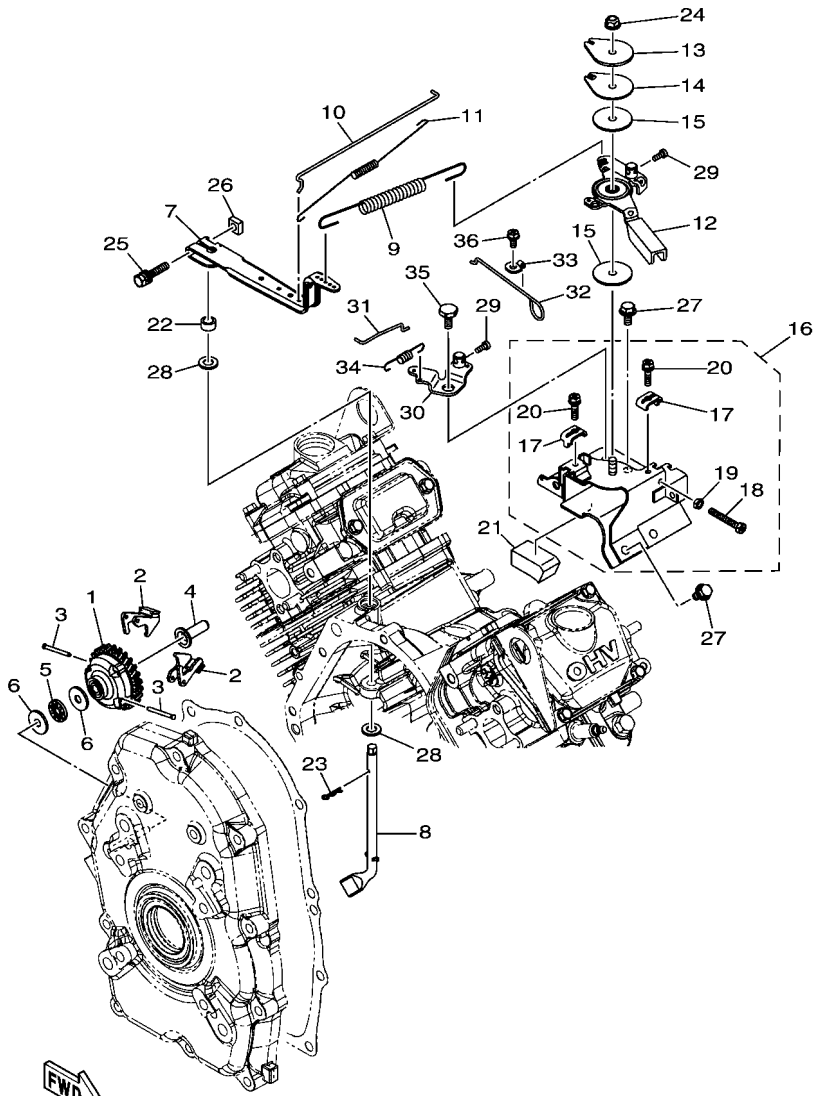


7B3J300-V030

FIG. 3 GOVERNOR

REF. NO.	PART NO.	DESCRIPTION	7B3J	REMARKS
1	7D3-11972-00	GEAR, FLYWEIGHT SHAFT	1	
2	7D3-11913-00	WEIGHT	2	
3	7D3-11914-00	SHAFT, WEIGHT	2	
4	7D3-11917-00	COLLAR	1	
5	7D3-11426-00	BEARING, THRUST 1	1	
6	7D3-5A433-00	WASHER, 2	2	
7	7D3-11924-00	ARM, GOVERNOR	1	
8	7D3-11922-10	FORK, GOVERNOR	1	
9	7B3-11925-01	SPRING, GOVERNOR	1	
10	7B3-11928-00	ROD, LINK	1	
11	7B3-11979-00	SPRING, ROD	1	
12	7B3-41270-20	ACCEL. LEVER ASSY 1	1	
13	7D3-41297-00	WASHER, 1	1	
14	7D3-5A402-00	WASHER, SPRING	1	
15	7D3-5A400-00	WASHER, PLAIN	2	
16	7D3-41240-00	THROTTLE LEVER COMP.	1	
17	7D3-11933-00	.PLATE, ADJUST	2	
18	7D3-54142-00	.BOLT,1	1	
19	7D3-54542-00	.NUT,1	1	
20	7D3-54143-00	.BOLT 2	2	
21	7B3-18615-00	DAMPER, RUBBER	1	
22	7D3-11588-00	SPACER	1	
23	7D3-5241F-00	PIN	1	
24	7D3-5A357-00	NUT, SELF-LOCKING	1	
25	7D3-5236L-20	BOLT, SPECIAL 1	1	
26	7D3-54545-00	NUT,2	1	
27	7D3-5A140-00	BOLT,FLG. M6X12	2	



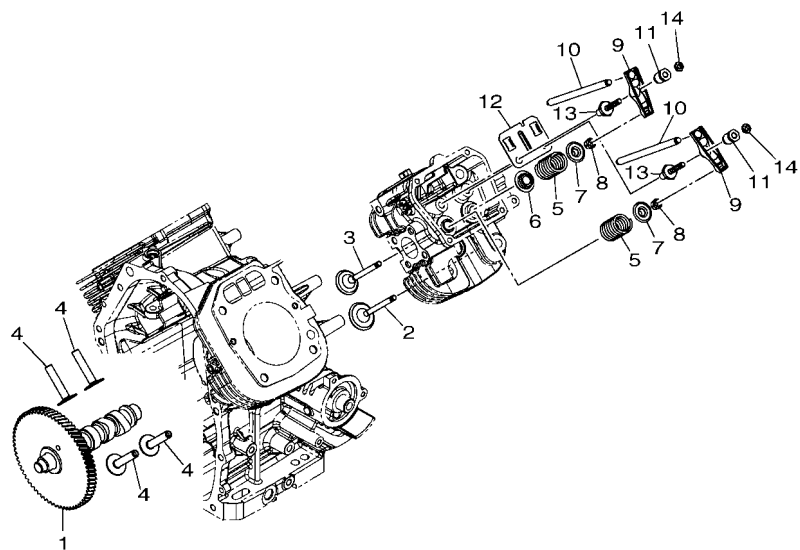


7B3J300-V030

FIG. 3 GOVERNOR

REF. NO.	PART NO.	DESCRIPTION	7B3J				REMARKS
28	7D3-5A403-00	WASHER, PLAIN	2				
29	7D3-11834-00	SCREW	2				
30	7B3-14201-00	CHOKE LEVER COMP.	1				
31	7B3-41256-00	ROD, CHOKE 1	1				
32	7D3-41271-00	KNOB, CHOKE	1				
33	7D3-42823-00	PLATE, STOP	1				
34	7D3-43619-00	SPRING, TENSION	1				
35	7D3-5A122-00	BOLT	1				
36	7D3-5A201-00	SCREW, TAPPING	1				

**FIG. 4 CAMSHAFT & VALVE**

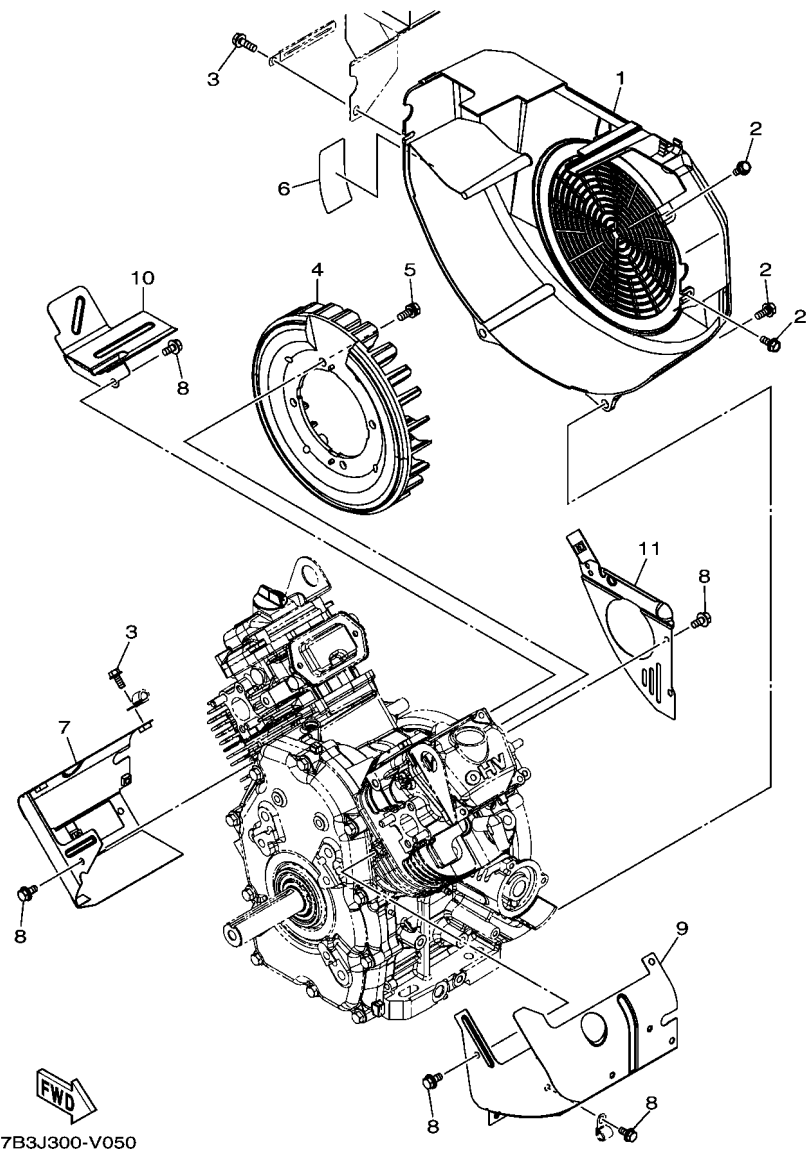


REF. NO.	PART NO.	DESCRIPTION	7B3J				REMARKS
1	7B3-12181-00	CAMSHAFT 2	1				
2	7D3-12111-00	VALVE, INTAKE	2				
3	7D3-12121-00	VALVE, EXHAUST	2				
4	7D3-12153-00	LIFTER, VALVE	4				
5	7D3-16173-00	SPRING, COMPRESSION	4				
6	7D3-12116-00	SEAT, VALVE SPRING	2				
7	7D3-12117-00	RETAINER, VALVE SPRING	4				
8	7D3-12118-00	LOCK, VALVE SPRING RETAINER	8				
9	7D3-12151-00	ARM, VALVE ROCKER	4				
10	7D3-12154-00	ROD, VALVE PUSH	4				
11	7D3-12165-00	PIVOT, ROCKER ARM	4				
12	7D3-12155-00	GUIDE, PUSH ROD	2				
13	7D3-12157-00	BOLT	4				
14	7D3-12158-00	NUT, LOCK	4				



7B32010-T040

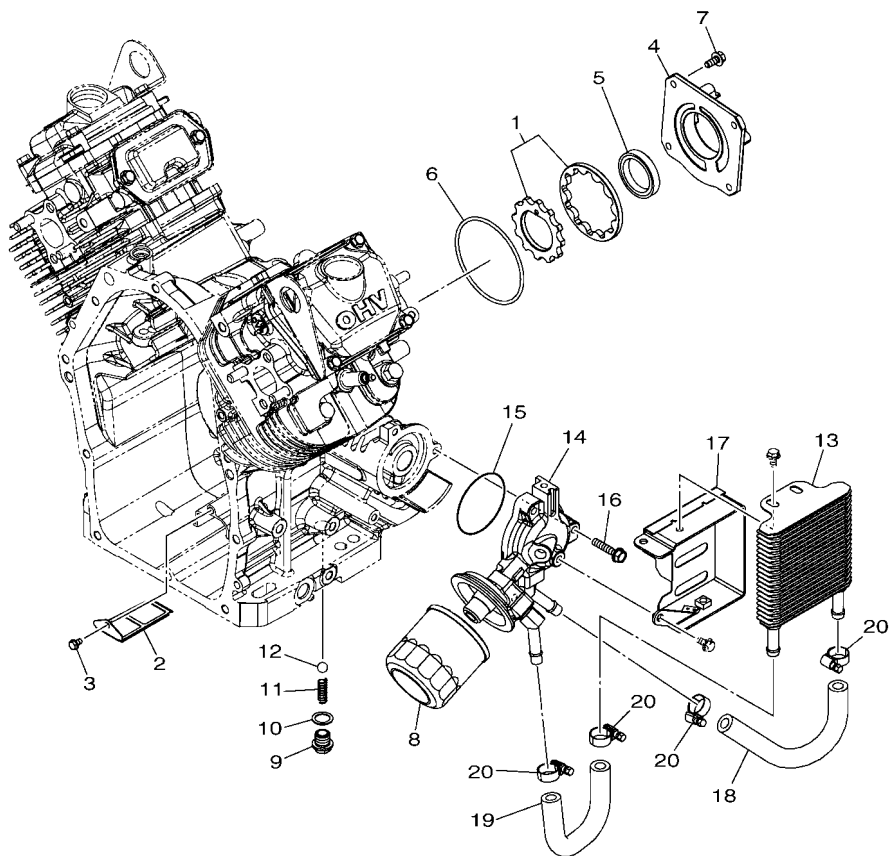
**FIG. 5 AIR SHROUD & STARTER**



7B3J300-V050

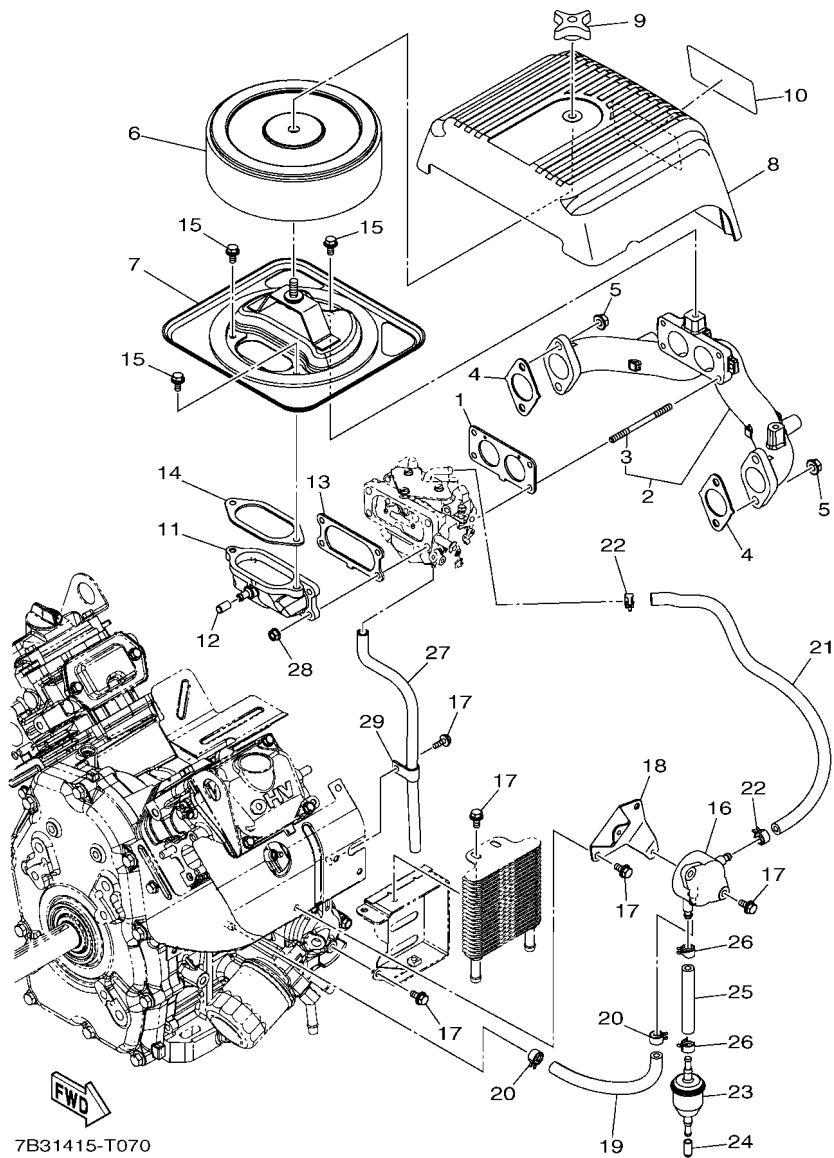
REF. NO.	PART NO.	DESCRIPTION	7B3J				REMARKS
1	7B3-12621-00	CASE, FAN	1				
2	7D3-5A142-00	BOLT,FLG. M6X14	6				
3	7D3-5A102-00	BOLT, FLANGE	2				
4	7D3-12611-00	FAN	1				
5	7D3-5236L-00	BOLT, SPECIAL 1	4				
6	7D3-24162-00	EMBLEM 2	1				
7	7D3-12651-00	AIR SHROUD, CYLINDER 1	1				
8	7D3-5A140-00	BOLT,FLG. M6X12	8				
9	7B3-12652-00	AIR SHROUD, CYLINDER 2	1				
10	7B3-12653-00	AIR SHROUD, CYLINDER 3	1				
11	7D3-12654-00	AIR SHROUD, CYLINDER 4	1				

**FIG. 6 LUBRICATION**



7B3B411-T060

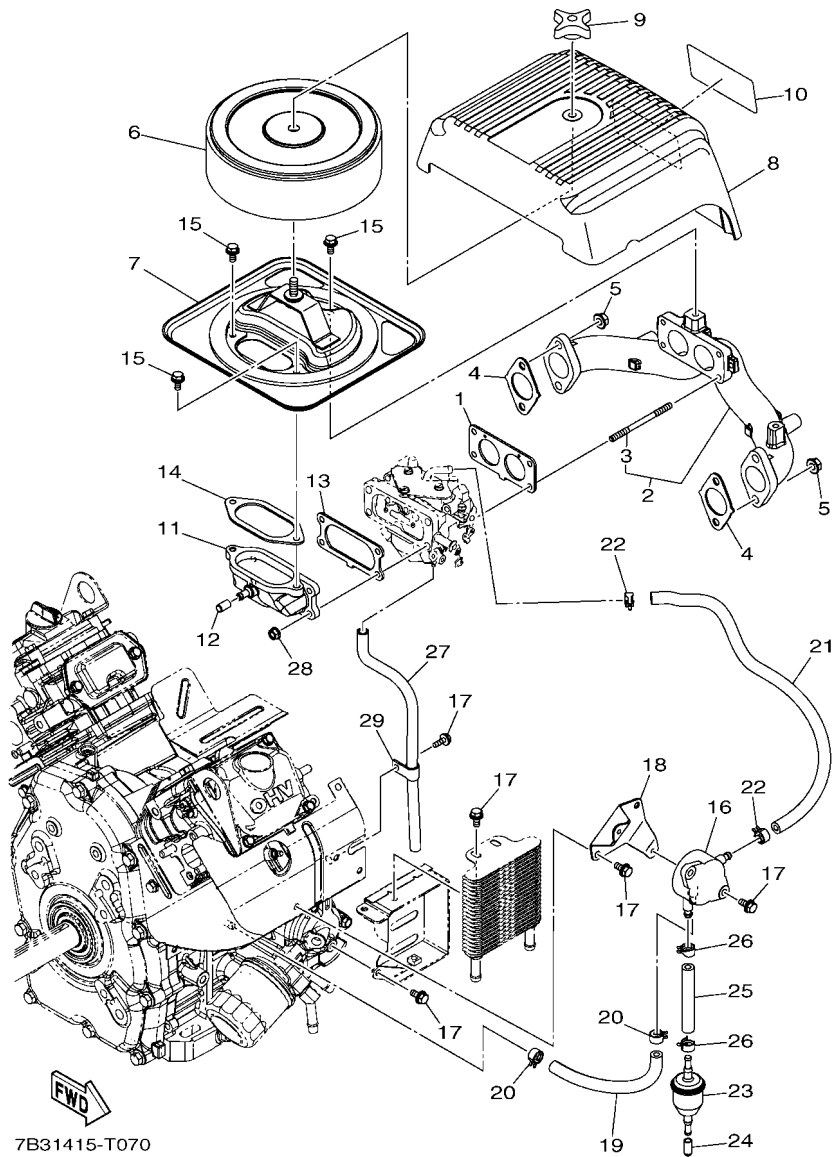
REF. NO.	PART NO.	DESCRIPTION	7B3J				REMARKS
1	7D3-13310-00	ROTOR ASSY 1	1				
2	7D3-13411-00	STRAINER, OIL	1				
3	7D3-54547-00	BOLT, FLG. 1	1				
4	7D3-13316-00	COVER, PUMP	1				
5	7D3-17499-00	OIL SEAL	1				
6	7D3-13016-00	O-RING	1				
7	7D3-5A142-00	BOLT, FLG. M6X14	4				
8	7D3-13440-00	ELEMENT ASSY, OIL CLEANER	1				
9	7D3-13455-00	PLUG	1				
10	7D3-13475-00	GASKET	1				
11	7D3-22977-00	SPRING, RELIEF	1				
12	7D3-17051-00	BALL	1				
13	7B3-13470-00	OIL COOLER ASSY	1				
14	7B3-17848-00	ADAPTER	1				
15	7B3-13473-00	O-RING	1				
16	7D3-5A100-00	BOLT, FLANGE	3				
17	7B3-1371L-00	BRACKET	1				
18	7B3-1316F-00	HOSE, OIL 1	1				
19	7B3-1316G-00	HOSE, OIL 2	1				
20	7B3-5AB00-00	CLAMP, 1	4				



7B31415-T070

FIG. 7 INTAKE

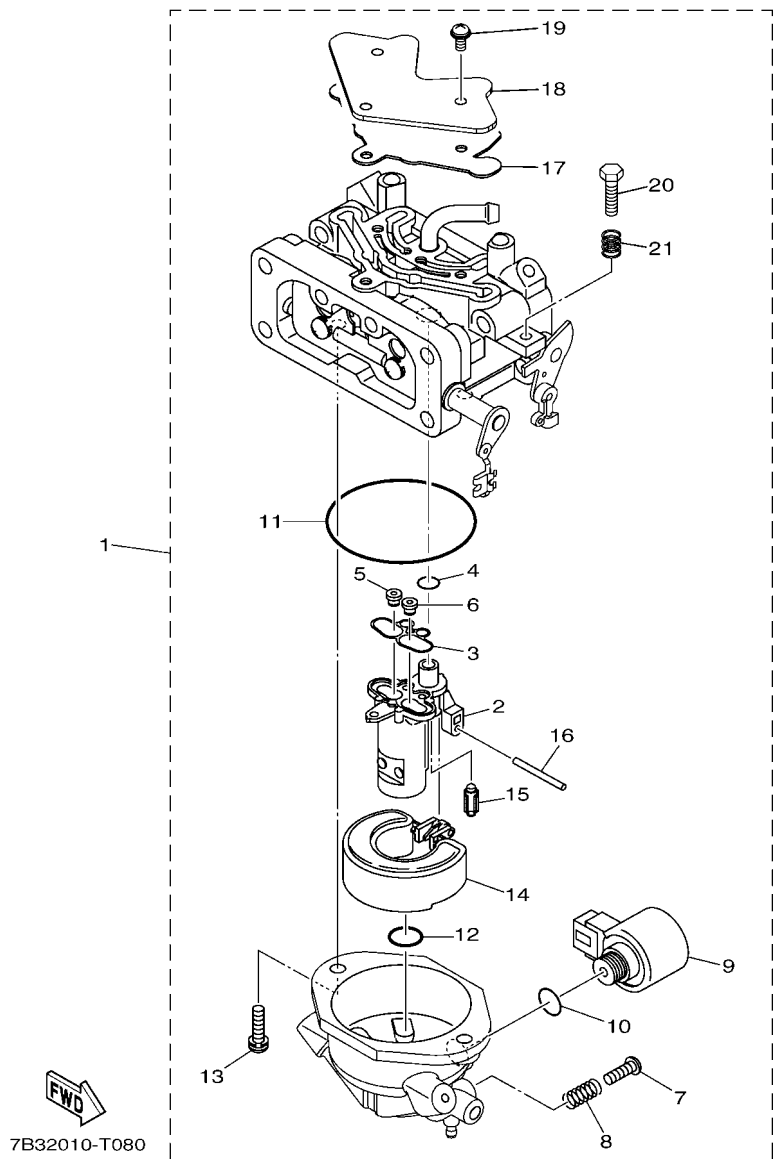
REF. NO.	PART NO.	DESCRIPTION	7B3J				REMARKS
1	7B3-13645-00	GASKET, MANIFOLD 1	1				
2	7B3-13630-00	INTAKE MANIFOLD ASSY.	1				
3	7B3-13558-00	.BOLT, STUD	4				
4	7D3-13566-00	GASKET	2				
5	7D3-5A332-00	NUT, FLG.	4				
6	7D3-14451-00	ELEMENT, AIR CLEANER	1				
7	7B3-14663-00	PLATE, AIR CLEANER	1				
8	7D3-14412-01	CAP, CLEANER CASE 1	1				
9	7D3-43372-00	NUT, WING	1				
10	7B3-12629-00	EMBLEM	1				
11	7B3-14453-00	JOINT, AIR CLEANER 1	1				
12	7B3-13587-00	CAP, JOINT	1				
13	7B3-13646-00	GASKET, MANIFOLD 2	1				
14	7B3-14416-00	GASKET, AIR CLEANER	1				
15	7D3-5A140-00	BOLT, FLG. M6X12	3				
16	JX4-24410-01	FUEL PUMP ASSY	1				
17	7D3-5A140-00	BOLT, FLG. M6X12	9				
18	7D3-24426-00	BRACKET, FUEL PUMP 2	1				
19	7D3-1243E-00	HOSE 2	1				
20	7D3-14137-00	CLIP	2				
21	7B3-13971-00	PIPE, FUEL 1	1				
22	7D3-14137-00	CLIP	2				
23	7D3-24502-00	FILTER, FUEL	1				
24	4NX-25335-00	CAP	1				
25	7D3-13972-00	PIPE, FUEL 2	1				
26	7D3-14137-00	CLIP	2				
27	7D3-1531A-00	HOSE, BREATHER 1	1				



**FIG. 7 INTAKE**

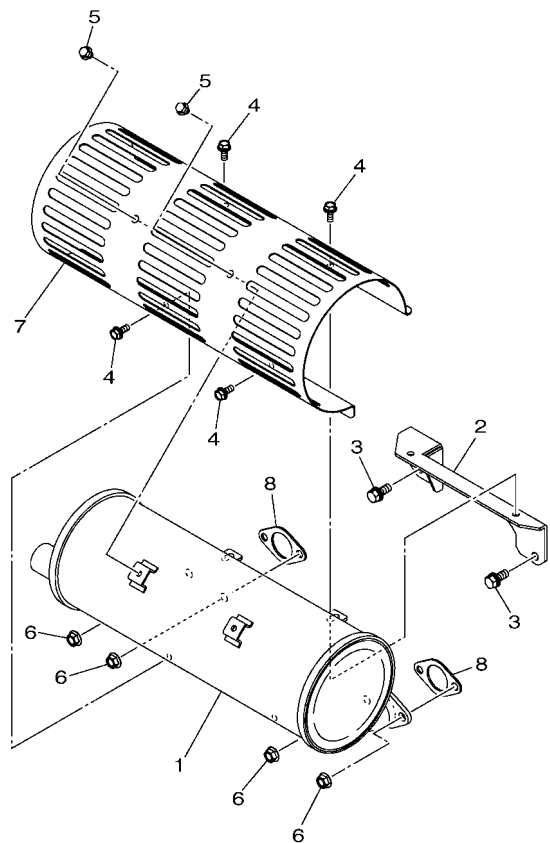
REF. NO.	PART NO.	DESCRIPTION	7B3J				REMARKS
28	7D3-5A329-00	NUT,FLG. M6	4				
29	7D3-81128-00	CLAMP	1				

**FIG. 8 CARBURETOR**



REF. NO.	PART NO.	DESCRIPTION	7B3J				REMARKS
1	7B3-14101-01	CARBURETOR ASSY 1	1				
2	7B3-14163-00	.SPACER	1				
3	7B3-14198-00	.GASKET	1				
4	7B3-1416A-00	.O-RING	1				
5	7B3-1492E-66	.JET, MAIN	1				
6	7B3-1492E-6G	.JET, MAIN	1				
7	7D3-14191-00	.PLUG, DRAIN	1				
8	7D3-14223-00	.SPRING, DRAIN VALVE	1				
9	7B3-1410H-00	.SOLENOID VALVE	1				
10	7B3-14398-00	.GASKET	1				
11	7B3-14184-00	.GASKET, FLOAT CHAMBER	1				
12	7B3-14147-00	.O-RING	1				
13	7B3-14429-00	.SCREW	2				
14	7B3-14185-00	.FLOAT	1				
15	7B3-14150-00	.NEEDLE ASSY	1				
16	7B3-14186-00	.PIN, FLOAT	1				
17	7B3-14199-00	.GASKET	1				
18	7B3-14293-00	.COVER 1	1				
19	7B3-14565-00	.SCREW	3				
20	7B3-14922-00	.SCREW, THROTTLE	1				
21	7D3-14531-00	.SPRING, ADJUST SCREW	1				

**FIG. 9 EXHAUST**



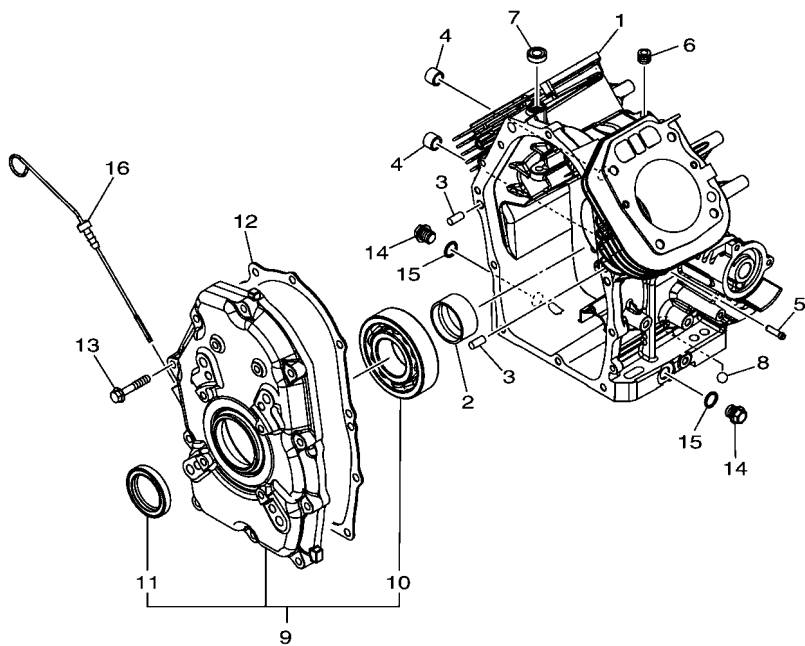
REF. NO.	PART NO.	DESCRIPTION	7B3J				REMARKS
1	7D3-14711-00	MUFFLER 1	1				
2	7D3-1471K-00	BRACKET 1-1	1				
3	7D3-5236P-00	BOLT,SPECIAL 4	2				
4	7D3-5A142-00	BOLT,FLG. M6X14	4				
5	7D3-5A134-00	BOLT, FLANGE M6-1.0X8	2				
6	7D3-5A332-00	NUT,FLG.	4				
7	7D3-14718-00	PROTECTOR, MUFFLER 1	1				
8	7D3-14613-00	GASKET, EXHAUST PIPE	2				



7B3B411-T090

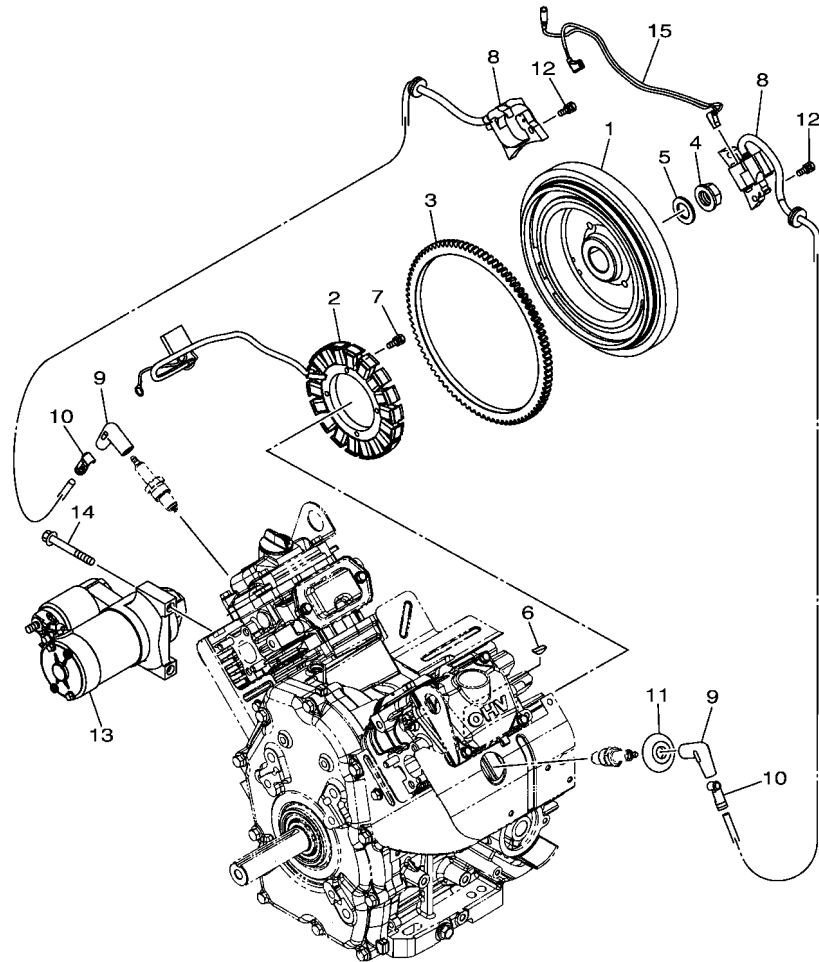


**FIG. 10 CRANKCASE**



REF. NO.	PART NO.	DESCRIPTION	7B3J				REMARKS
1	7B3-15111-00	CRANKCASE 1	1				
2	7D3-15693-00	BEARING	1				
3	7D3-15181-00	PIN, DOWEL	2				
4	7D3-15541-00	COLLAR	2				
5	7D3-14485-00	PIPE, JOINT	1				
6	7D3-15167-00	PLUG, BLIND 1	1				
7	7D3-1511A-00	OIL SEAL	1				
8	7D3-1431C-00	BALL,BLIND 2	1				
9	7D3-15410-10	CRANKCASE COVER ASSY 1	1				
10	7B3-15693-00	.BEARING	1				
11	7D3-1511B-00	.OIL SEAL	1				
12	7D3-15451-00	GASKET, CRANKCASE COVER 1	1				
13	7D3-5A112-00	BOLT, FLANGE	10				
14	7D3-15351-00	PLUG, DRAIN	2				
15	7D3-11198-00	GASKET	2				
16	7D3-15361-00	GAUGE, LEVEL	1				

  
7B3J300-V100

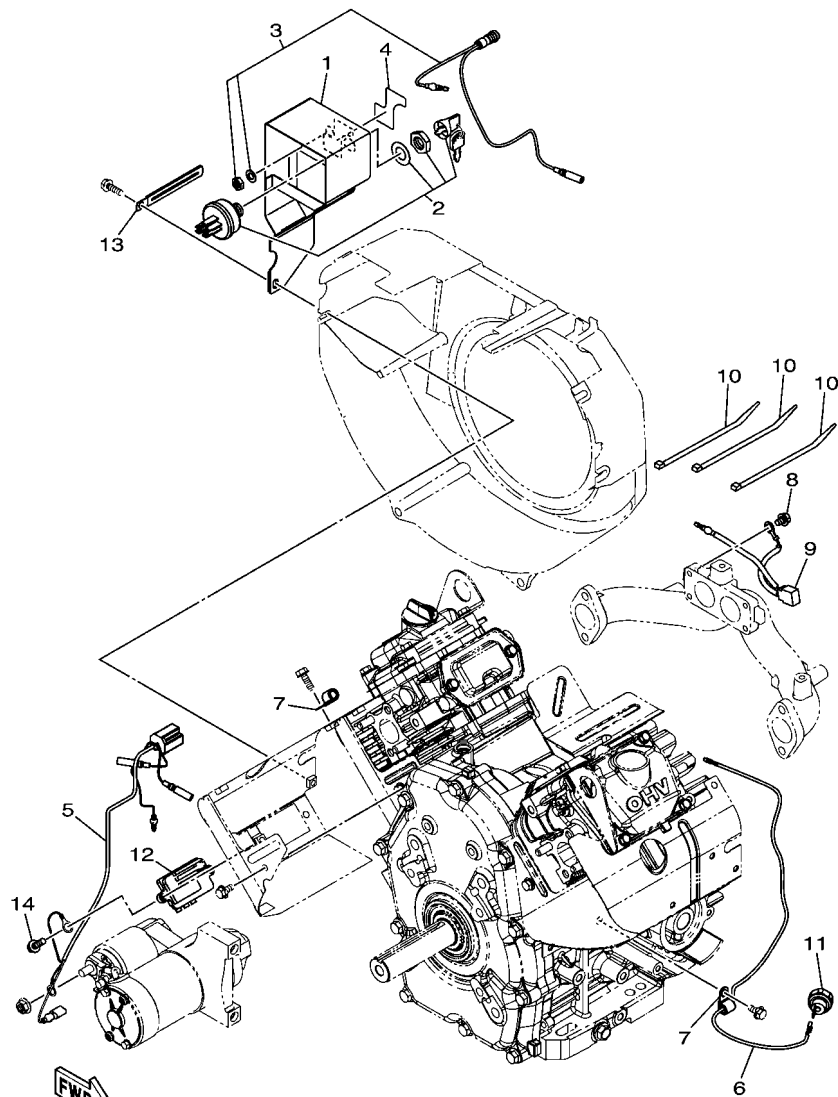


FWD  
7B3J300-V110

FIG. 11 MAGNETO

REF. NO.	PART NO.	DESCRIPTION	7B3J				REMARKS
1	7D3-85550-00	ROTOR ASSY	1				
2	7D5-81410-00	STATOR ASSY	1				
3	7D3-81891-00	GEAR, RING	1				
4	7D3-11555-00	NUT, CRANKSHAFT 1	1				
5	7D3-5A405-00	WASHER, PLAIN	1				
6	7D3-11545-00	KEY, WOODRUFF	1				
7	7D3-5159J-10	BOLT, SPECIAL 1	4				
8	7D3-82310-00	IGNITION COIL ASSY	2				
9	7D3-82370-00	PLUG CAP ASSY	2				
10	7D3-81925-00	TERMINAL	2				
11	7B3-81336-00	GROMMET	1				
12	7D3-5236L-10	BOLT, SPECIAL 1	4				
13	7D3-81800-00	STARTING MOTOR ASSY	1				
14	7D3-5A106-00	BOLT, FLANGE	2				
15	7D3-81115-00	WIRE, LEAD	1				

FIG. 12 ELECTRICAL

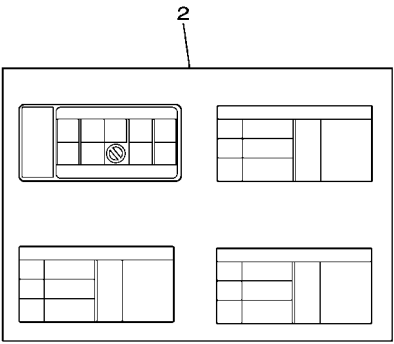
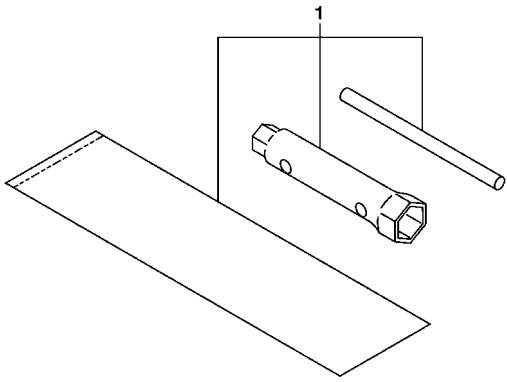


7B3J300-V120

REF. NO.	PART NO.	DESCRIPTION	7B3J				REMARKS
1	7D3-82568-00	COVER, MAIN SWITCH	1				
2	7D3-82511-00	KEY, MAIN SWITCH	1				
3	7D3-85770-01	OIL PILOT LIGHT ASSY	1				
4	7D3-24156-00	INDICATOR, STARTER LEVER	1				
5	7D3-82105-00	WIRE HARNESS	1				
6	7D3-82117-00	WIRE, LEAD	1				
7	7D3-81128-00	CLAMP	2				
8	7D3-5A134-00	BOLT, FLANGE M6-1.0X8	1				
9	7B3-81215-00	WIRE, LEAD 1	1				
10	7D3-81328-00	CLAMP	3				
11	7D3-82504-00	OIL PRESSURE SWITCH ASSY	1				
12	7B3-81960-00	RECTIFIER & REGULATOR ASSY	1				
13	7D3-81528-00	CLAMP 1	1				
14	7D3-5A102-00	BOLT, FLANGE	2				

**FIG. 13 BODY FITTING**

REF. NO.	PART NO.	DESCRIPTION	7B3J						REMARKS
1	7D3-28100-00	TOOL KIT	1						
2	7B3-24162-00	EMBLEM 2	1						



NUMERICAL INDEX

PART NO.	REF. NO.	PART NO.	REF. NO.	PART NO.	REF. NO.	PART NO.	REF. NO.	PART NO.	REF. NO.	PART NO.	REF. NO.
7B3-11110-00	1 - 1	7B3-11979-00	3 - 11	7D3-14137-00	7 - 20	7D3-15541-00	10 - 4	7D3-5A140-00	7 - 15		
7D3-11119-00	1 - 14	7D3-12111-00	4 - 2		7 - 22	7B3-15693-00	10 - 10		7 - 17		
7B3-11120-00	1 - 4	7D3-12116-00	4 - 6		7 - 26	7D3-15693-00	10 - 2	7D3-5A142-00	1 - 19		
7B3-11166-00	1 - 21	7D3-12117-00	4 - 7	7B3-14147-00	8 - 12	7D3-16173-00	4 - 5		5 - 2		
7D3-11179-00	1 - 2	7D3-12118-00	4 - 8	7B3-14150-00	8 - 15	7D3-17051-00	6 - 12		6 - 7		
	1 - 5	7D3-12119-00	1 - 3	7B3-14163-00	8 - 2	7D3-17499-00	6 - 5		9 - 4		
7B3-11181-00	1 - 7		1 - 6	7B3-1416A-00	8 - 4	7B3-17848-00	6 - 14	7D3-5A201-00	3 - 36		
7B3-11182-00	1 - 8	7D3-12121-00	4 - 3	7B3-14184-00	8 - 11	7B3-18615-00	3 - 21	7D3-5A329-00	7 - 28		
7D3-11191-00	1 - 11	7D3-12151-00	4 - 9	7B3-14185-00	8 - 14	7D3-22977-00	6 - 11	7D3-5A332-00	7 - 5		
7D3-11192-00	1 - 12	7D3-12153-00	4 - 4	7B3-14186-00	8 - 16	7D3-24156-00	12 - 4		9 - 6		
7D3-11198-00	10 - 15	7D3-12154-00	4 - 10	7D3-14191-00	8 - 7	7B3-24162-00	13 - 2	7D3-5A357-00	3 - 24		
7D3-1119C-00	1 - 10	7D3-12155-00	4 - 12	7B3-14198-00	8 - 3	7D3-24162-00	5 - 6	7D3-5A400-00	3 - 15		
7D3-11355-00	1 - 13	7D3-12157-00	4 - 13	7B3-14199-00	8 - 17	JX4-24410-01	7 - 16	7D3-5A402-00	3 - 14		
7D3-11387-00	1 - 22	7D3-12158-00	4 - 14	7B3-14201-00	3 - 30	7D3-24426-00	7 - 18	7D3-5A403-00	3 - 28		
7B3-11420-10	2 - 1	7D3-12165-00	4 - 11	7D3-14223-00	8 - 8	7D3-24502-00	7 - 23	7D3-5A405-00	11 - 5		
7D3-11426-00	3 - 5	7B3-12181-00	4 - 1	7B3-14293-00	8 - 18	4NX-25335-00	7 - 24	7D3-5A433-00	3 - 6		
7D3-11486-00	2 - 7	7D3-1243E-00	7 - 19	7D3-1431C-00	10 - 8	7D3-28100-00	13 - 1	7B3-5AB00-00	6 - 20		
7D3-11545-00	11 - 6	7D3-12611-00	5 - 4	7B3-14398-00	8 - 10	7D3-41240-00	3 - 16	7D3-81115-00	11 - 15		
7D3-11555-00	11 - 4	7B3-12621-00	5 - 1	7D3-14412-01	7 - 8	7B3-41256-00	3 - 31	7D3-81128-00	7 - 29		
7D3-11561-00	2 - 10	7B3-12629-00	7 - 10	7B3-14416-00	7 - 14	7B3-41270-20	3 - 12		12 - 7		
7D3-11561-10	2 - 10	7D3-12651-00	5 - 7	7B3-14429-00	8 - 13	7D3-41271-00	3 - 32	7B3-81215-00	12 - 9		
7D3-11561-20	2 - 10	7B3-12652-00	5 - 9	7D3-14451-00	7 - 6	7D3-41297-00	3 - 13	7D3-81328-00	12 - 10		
7D3-11588-00	3 - 22	7B3-12653-00	5 - 10	7B3-14453-00	7 - 11	7D3-42823-00	3 - 33	7B3-81336-00	11 - 11		
7B3-11611-00	2 - 3	7D3-12654-00	5 - 11	7D3-14485-00	10 - 5	7D3-43372-00	7 - 9	7D5-81410-00	11 - 2		
7B3-11611-10	2 - 3	7D3-13016-00	6 - 6	7D3-14531-00	8 - 21	7D3-43619-00	3 - 34	7D3-81528-00	12 - 13		
7B3-11611-20	2 - 3	7B3-1316F-00	6 - 18	7B3-14565-00	8 - 19	7D3-5159J-10	11 - 7	7D3-81800-00	11 - 13		
7B3-11612-00	2 - 4	7B3-1316G-00	6 - 19	7D3-14613-00	9 - 8	7D3-5236L-00	5 - 5	7D3-81891-00	11 - 3		
7B3-11612-10	2 - 4	7D3-13310-00	6 - 1	7B3-14663-00	7 - 7	7D3-5236L-10	11 - 12	7D3-81925-00	11 - 10		
7B3-11612-20	2 - 4	7D3-13316-00	6 - 4	7D3-14711-00	9 - 1	7D3-5236L-20	3 - 25	7B3-81960-00	12 - 12		
7B3-11614-00	2 - 5	7D3-13411-00	6 - 2	7D3-14718-00	9 - 7	7D3-5236P-00	9 - 3	7D3-82105-00	12 - 5		
7B3-11614-10	2 - 5	7D3-13440-00	6 - 8	7D3-1471K-00	9 - 2	7D3-5241F-00	3 - 23	7D3-82117-00	12 - 6		
7B3-11614-20	2 - 5	7D3-13455-00	6 - 9	7B3-14922-00	8 - 20	7D3-54142-00	3 - 18	7D3-82310-00	11 - 8		
7B3-11631-00	2 - 2	7B3-13470-00	6 - 13	7B3-1492E-66	8 - 5	7D3-54143-00	3 - 20	7D3-82370-00	11 - 9		
7D3-11633-00	2 - 6	7B3-13473-00	6 - 15	7B3-1492E-6G	8 - 6	7D3-54542-00	3 - 19	7D3-82504-00	12 - 11		
7B3-11635-00	2 - 2	7D3-13475-00	6 - 10	7B3-15111-00	10 - 1	7D3-54545-00	3 - 26	7D3-82511-00	12 - 2		
7B3-11636-00	2 - 2	7D3-13516-00	1 - 20	7D3-15114-00	1 - 24	7D3-54547-00	6 - 3	7D3-82568-00	12 - 1		
7D3-11650-00	2 - 8	7B3-13558-00	7 - 3	7D3-1511A-00	10 - 7	7D3-5A100-00	1 - 15	7D3-85550-00	11 - 1		
7D3-11654-00	2 - 9	7D3-13566-00	7 - 4	7D3-1511B-00	10 - 11		6 - 16	7D3-85770-01	12 - 3		
7D3-11834-00	3 - 29	7B3-13587-00	7 - 12	7D3-15167-00	10 - 6	7D3-5A102-00	5 - 3				
7D3-11913-00	3 - 2	7D3-13610-00	1 - 17	7D3-15181-00	10 - 3		12 - 14				
7D3-11914-00	3 - 3	7B3-13630-00	7 - 2	7D3-1531A-00	7 - 27	7D3-5A106-00	11 - 14				
7D3-11917-00	3 - 4	7B3-13645-00	7 - 1	7D3-15351-00	10 - 14	7D3-5A112-00	10 - 13				
7D3-11922-10	3 - 8	7B3-13646-00	7 - 13	7D3-15361-00	10 - 16	7D3-5A116-00	1 - 9				
7D3-11924-00	3 - 7	7B3-1371L-00	6 - 17	7D3-1536A-00	1 - 23	7D3-5A122-00	3 - 35				
7B3-11925-01	3 - 9	7B3-13971-00	7 - 21	7D3-15374-00	1 - 18	7D3-5A134-00	9 - 5				
7B3-11928-00	3 - 10	7D3-13972-00	7 - 25	7D3-15410-10	10 - 9		12 - 8				
7D3-11933-00	3 - 17	7B3-14101-01	8 - 1	7D3-15423-00	1 - 16	7D3-5A140-00	3 - 27				
7D3-11972-00	3 - 1	7B3-1410H-00	8 - 9	7D3-15451-00	10 - 12		5 - 8				