

# PARTS CATALOGUE

## EH72K524A ( 7B3B ) RUS

---



1T7B3-370E1

( )

EH72K524A  
PARTS CATALOGUE  
©2019 by Yamaha Motor Co., Ltd.  
1st edition, July 2019  
All rights reserved.  
Any reprinting or unauthorized use  
without the written permission of  
Yamaha Motor Co., Ltd.  
is expressly prohibited.  
Printed in Japan.

# FOREWORD

This Parts Catalogue is related to the parts for the model(s) on the cover page. When you are ordering replacement parts, please refer to this Parts Catalogue and quote both part numbers and part names correctly.

1. Modifications or additions which have been made after the issue of the Parts Catalogue will be announced in the Parts News.  
It is advisable that you make the necessary corrections to the Parts Catalogue according to the Parts News.

2. Abbreviations

The following abbreviations are used in this Parts Catalogue.

“UR” Use specified parts number.

“UN” Use as many as needed.

“AP” Alternate Parts

“LM” Locally Made (Parts need to be ordered locally)

“F#” Frame No. (Applicable machine No.)

“O/S” Over Size

3. The number of components for assembly

- Parts, which are to be supplied in an assembly, are listed with a dot (.) in front of the part name as shown below.
- The numeral appearing to the right of each component part indicates the quantity of parts for each assembly unit.

PART NO.	DESCRIPTION	Q'TY	REMARKS
2F5-83310-60	FRONT FLASHER LIGHT ASSY	2	
115-83311-60	.BULB (6V-18W)	1	

4. Applicable colours of graphics are represented in the “REMARKS” as shown below.

PART NO.	DESCRIPTION	Q'TY	REMARKS
2N4-24110-00-X5	FUEL TANK COMP.	2	MXR
3J1-24240-10	.GRAPHIC, FUEL TANK	1	FOR MXR

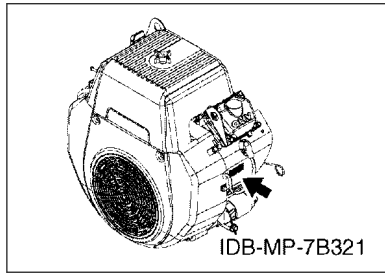
5. Note that the illustrations for reference in finding parts numbers are not to be used for assembling. When assembling, please use the applicable service manual.

6. The asterisk (\*) before a reference number indicates modified items after the first edition.

# FOREWORD

7. Applicable Serial No.

Frame Serial No.



8. Applicable Colour Code (The (\*) mark shows Model colour.)

Abbreviation	Colour Name	Colour Code

9. Applicable Starting Serial No.

Engine Serial No.

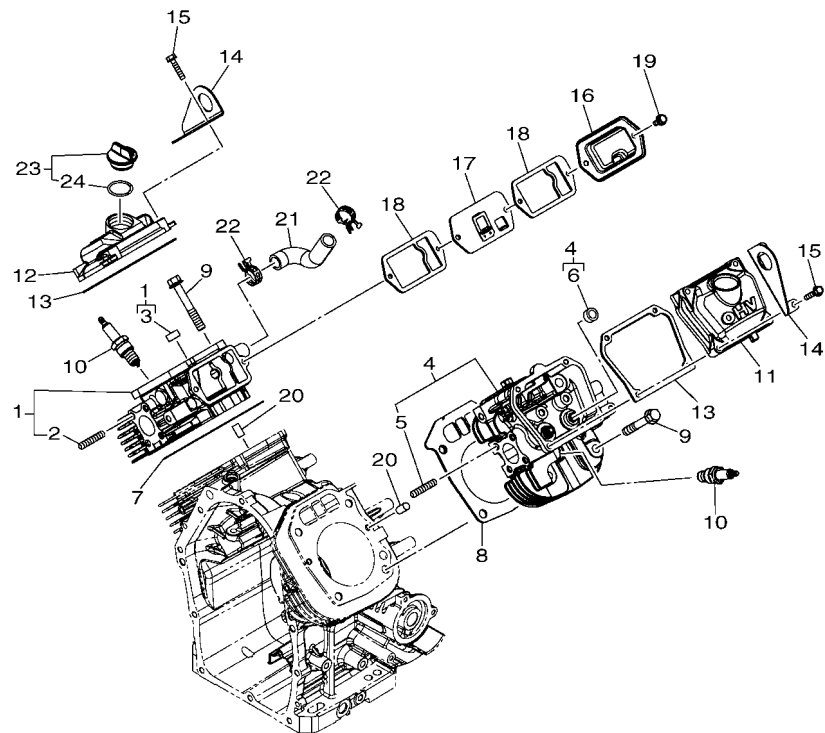
Serial No.	Name Of Q'ty Column	Model Code
7B3B-7000101	7B3B	7B3B

# CONTENTS

CYLINDER.....	1
CRANKSHAFT & PISTON.....	2
GOVERNOR.....	3
CAMSHAFT & VALVE.....	5
AIR SHROUD & STARTER.....	6
LUBRICATION.....	7
INTAKE.....	8
CARBURETOR.....	10
CRANKCASE.....	11
MAGNETO.....	12
ELECTRICAL.....	13
BODY FITTING.....	14

## INDEX

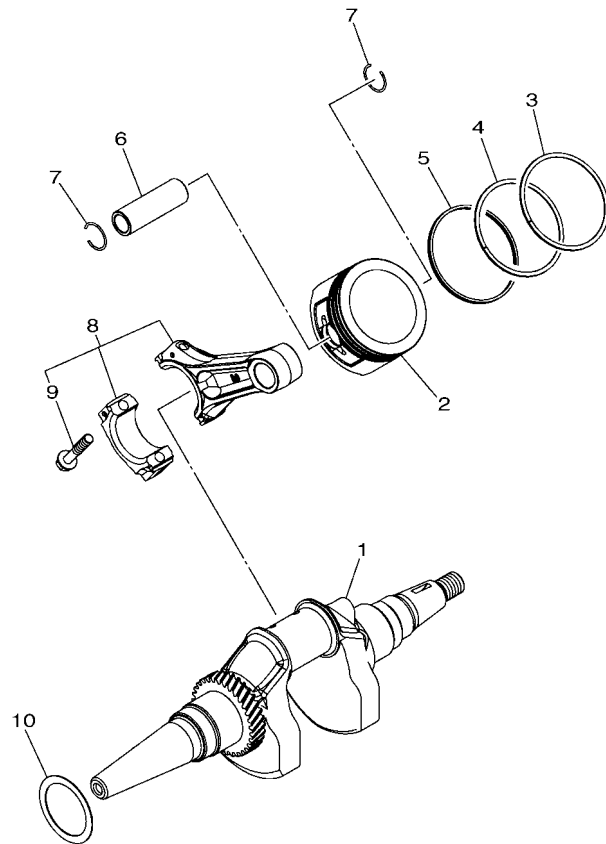
NUMERICAL INDEX.....	15
----------------------	----



7B32010-T010

FIG. 1 CYLINDER

REF. NO.	PART NO.	DESCRIPTION	7B3B				REMARKS
1	7B3-11110-00	CYLINDER HEAD ASSY	1				
2	7D3-11179-00	.BOLT, STUD	4				
3	7D3-12119-00	.SEAL, VALVE STEM	1				
4	7B3-11120-00	CYLINDER HEAD ASSY 2	1				
5	7D3-11179-00	.BOLT, STUD	4				
6	7D3-12119-00	.SEAL, VALVE STEM	1				
7	7B3-11181-00	GASKET, CYLINDER HEAD 1	1				
8	7B3-11182-00	GASKET, CYLINDER HEAD 2	1				
9	7D3-5A116-00	BOLT, FLANGE	8				
10	7D3-1119C-00	PLUG, SPARK	2				
11	7D3-11191-00	COVER, CYLINDER HEAD 1	1				
12	7D3-11192-00	COVER, CYLINDER HEAD 2	1				
13	7D3-11355-00	SEAL, CYLINDER 1	2				
14	7D3-11119-00	HANGER, ENGINE	2				
15	7D3-5A100-00	BOLT, FLANGE	8				
16	7D3-15423-00	COVER 2	1				
17	7D3-13610-00	REED VALVE ASSY	1				
18	7D3-15374-00	GASKET, BREATHER	2				
19	7D3-5A142-00	BOLT, FLG. M6X14	2				
20	7D3-13516-00	PIN, DOWEL	4				
21	7B3-11166-00	PIPE, BREATHER 1	1				
22	7D3-11387-00	CLAMP, HOSE 1	2				
23	7D3-1536A-00	PLUG, OIL LEVEL	1				
24	7D3-15114-00	.O-RING	1				

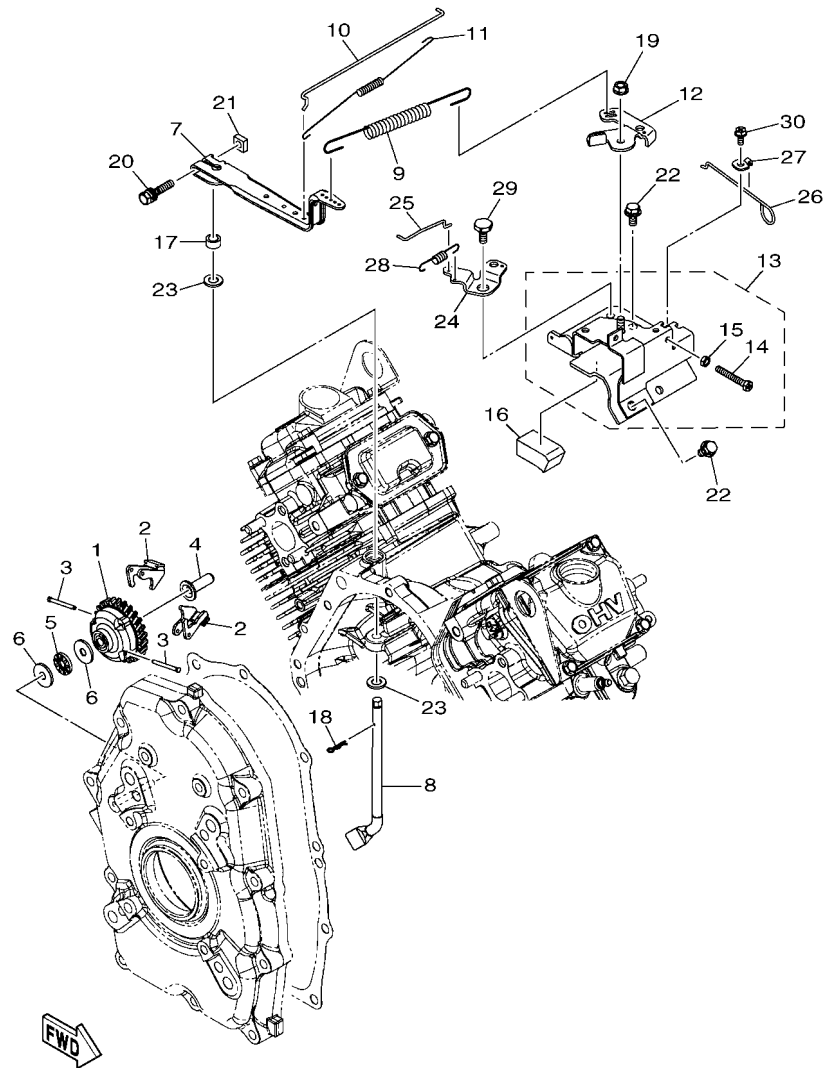


**FIG. 2 CRANKSHAFT & PISTON**

REF. NO.	PART NO.	DESCRIPTION	7B3B				REMARKS
1	7D3-11420-00	CRANKSHAFT	1				
2	7B3-11631-00	PISTON (STD)	2				
	7B3-11635-00	PISTON (0.25MM O/S)	2				AP
	7B3-11636-00	PISTON (0.50MM O/S)	2				AP
3	7B3-11611-00	RING, PISTON	2				
	7B3-11611-10	RING, PISTON	2				AP
	7B3-11611-20	RING, PISTON	2				AP
4	7B3-11612-00	2ND RING, PISTON	2				
	7B3-11612-10	2ND RING, PISTON	2				AP
	7B3-11612-20	2ND RING, PISTON	2				AP
5	7B3-11614-00	OIL RING, PISTON	2				
	7B3-11614-10	OIL RING, PISTON	2				AP
	7B3-11614-20	OIL RING, PISTON	2				AP
6	7D3-11633-00	PIN, PISTON	2				
7	7D3-11486-00	CLIP	4				
8	7D3-11650-00	CONNECTING ROD ASSY	2				
9	7D3-11654-00	.BOLT, CONNECTING ROD	2				
10	7D3-11561-00	SHIM, CRANK 1	1				UR
	7D3-11561-10	SHIM, CRANK 1	1				UR
	7D3-11561-20	SHIM, CRANK 1	1				UR



7B3B010-T020



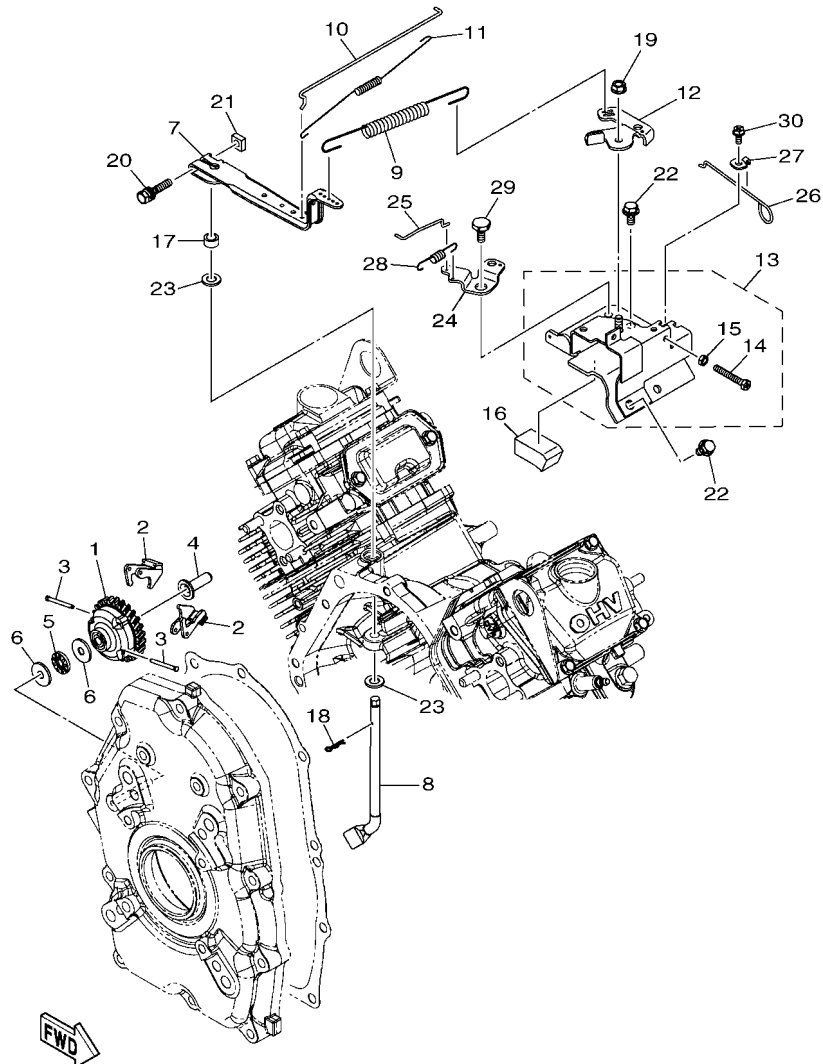
7B3B370-T030

FIG. 3 GOVERNOR

REF. NO.	PART NO.	DESCRIPTION	7B3B				REMARKS
1	7D3-11972-00	GEAR, FLYWEIGHT SHAFT	1				
2	7D3-11913-00	WEIGHT	2				
3	7D3-11914-00	SHAFT, WEIGHT	2				
4	7D3-11917-00	COLLAR	1				
5	7D3-11426-00	BEARING, THRUST 1	1				
6	7D3-5A433-00	WASHER, 2	2				
7	7D3-11924-00	ARM, GOVERNOR	1				
8	7D3-11922-10	FORK, GOVERNOR	1				
9	7B3-11925-10	SPRING, GOVERNOR	1				
10	7B3-11928-00	ROD, LINK	1				
11	7B3-11979-00	SPRING, ROD	1				
12	7D5-41283-10	LEVER, FREE ACCEL.	1				
13	7B3-41240-10	THROTTLE LEVER COMP.	1				
14	7D3-54142-00	.BOLT,1	1				
15	7D3-54542-00	.NUT,1	1				
16	7B3-18615-00	DAMPER, RUBBER	1				
17	7D3-11588-00	SPACER	1				
18	7D3-5241F-00	PIN	1				
19	7D3-5A329-00	NUT,FLG. M6	1				
20	7D3-5236L-20	BOLT, SPECIAL 1	1				
21	7D3-54545-00	NUT,2	1				
22	7D3-5A140-00	BOLT,FLG. M6X12	2				
23	7D3-5A403-00	WASHER, PLAIN	2				
24	7B3-14582-00	LEVER	1				
25	7B3-41256-00	ROD, CHOKE 1	1				
26	7D3-41271-00	KNOB, CHOKE	1				
27	7D3-42823-00	PLATE, STOP	1				



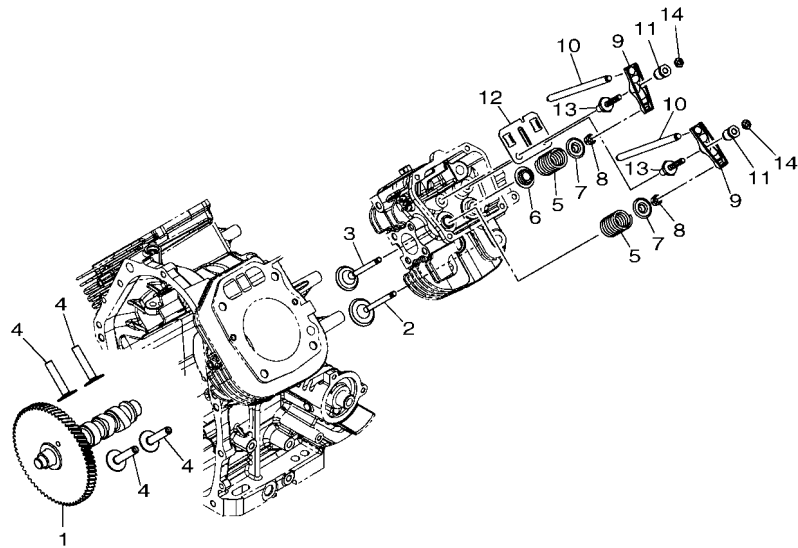
**FIG. 3 GOVERNOR**



7B3B370-T030

REF. NO.	PART NO.	DESCRIPTION	7B3B				REMARKS
28	7D3-43619-00	SPRING,TENSION	1				
29	7D3-5A122-00	BOLT	1				
30	7D3-5A201-00	SCREW, TAPPING	1				
-----							
-----							
-----							
-----							
-----							
-----							
-----							
-----							
-----							
-----							

**FIG. 4 CAMSHAFT & VALVE**

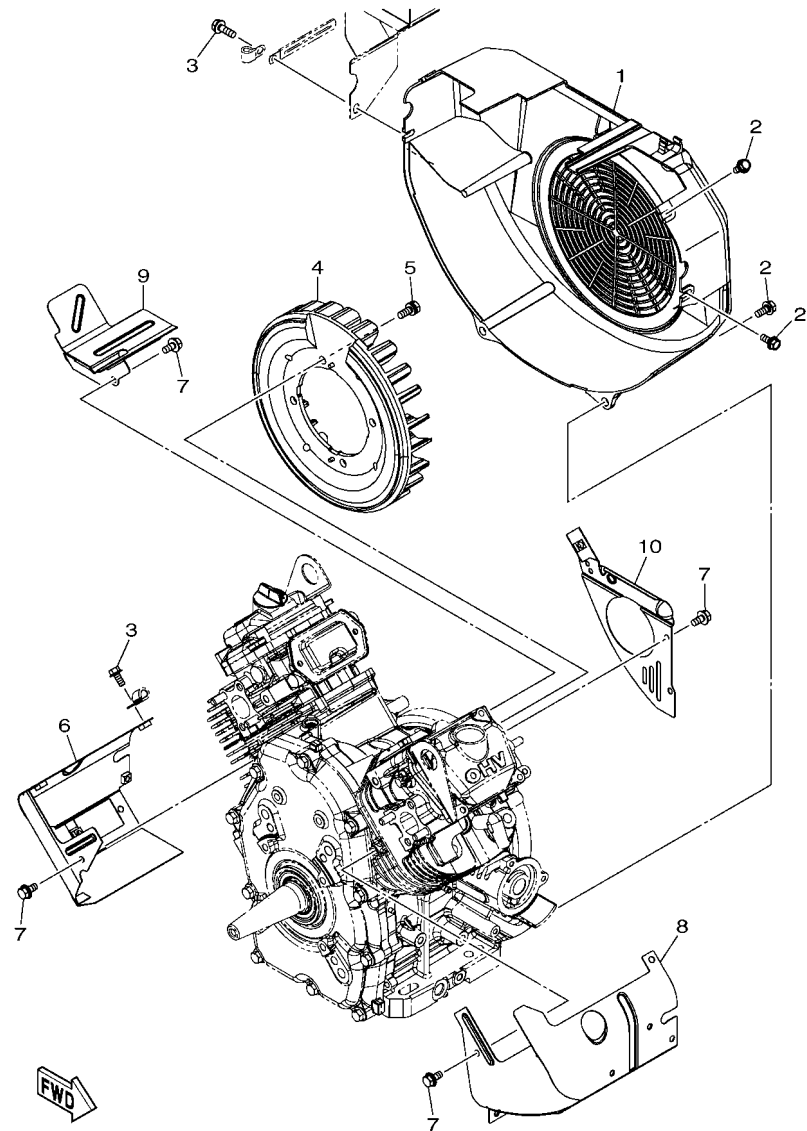


REF. NO.	PART NO.	DESCRIPTION	7B3B				REMARKS
1	7B3-12181-00	CAMSHAFT 2	1				
2	7D3-12111-00	VALVE, INTAKE	2				
3	7D3-12121-00	VALVE, EXHAUST	2				
4	7D3-12153-00	LIFTER, VALVE	4				
5	7D3-16173-00	SPRING, COMPRESSION	4				
6	7D3-12116-00	SEAT, VALVE SPRING	2				
7	7D3-12117-00	RETAINER, VALVE SPRING	4				
8	7D3-12118-00	LOCK, VALVE SPRING RETAINER	8				
9	7D3-12151-00	ARM, VALVE ROCKER	4				
10	7D3-12154-00	ROD, VALVE PUSH	4				
11	7D3-12165-00	PIVOT, ROCKER ARM	4				
12	7D3-12155-00	GUIDE, PUSH ROD	2				
13	7D3-12157-00	BOLT	4				
14	7D3-12158-00	NUT, LOCK	4				



7B32010-T040

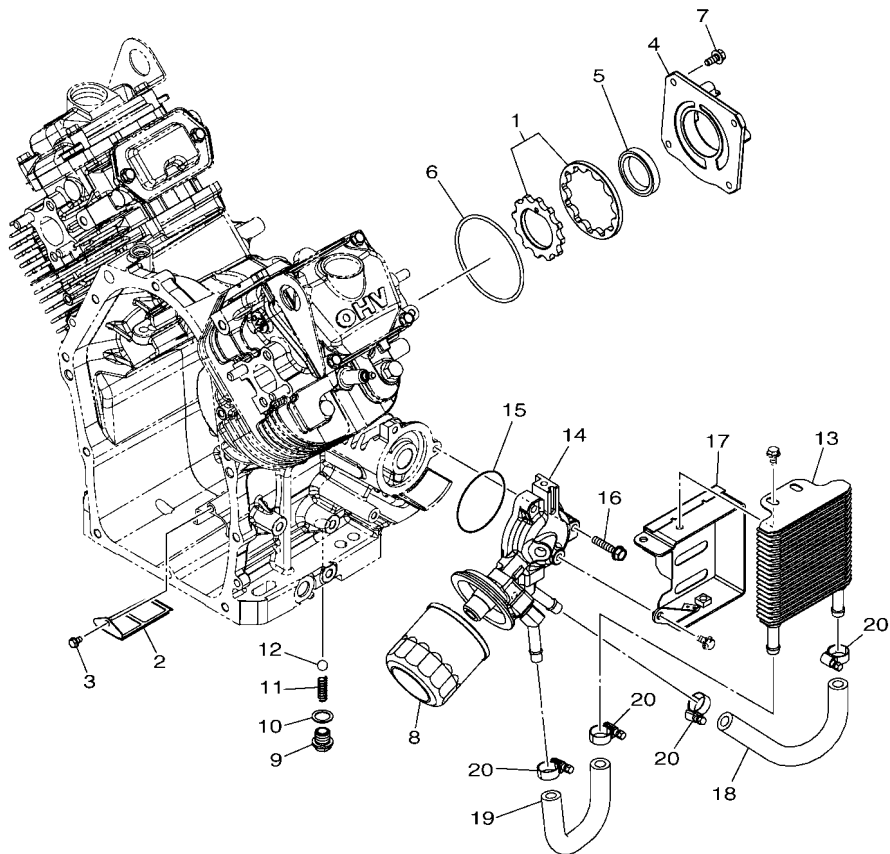
**FIG. 5 AIR SHROUD & STARTER**



7B3B370-T050

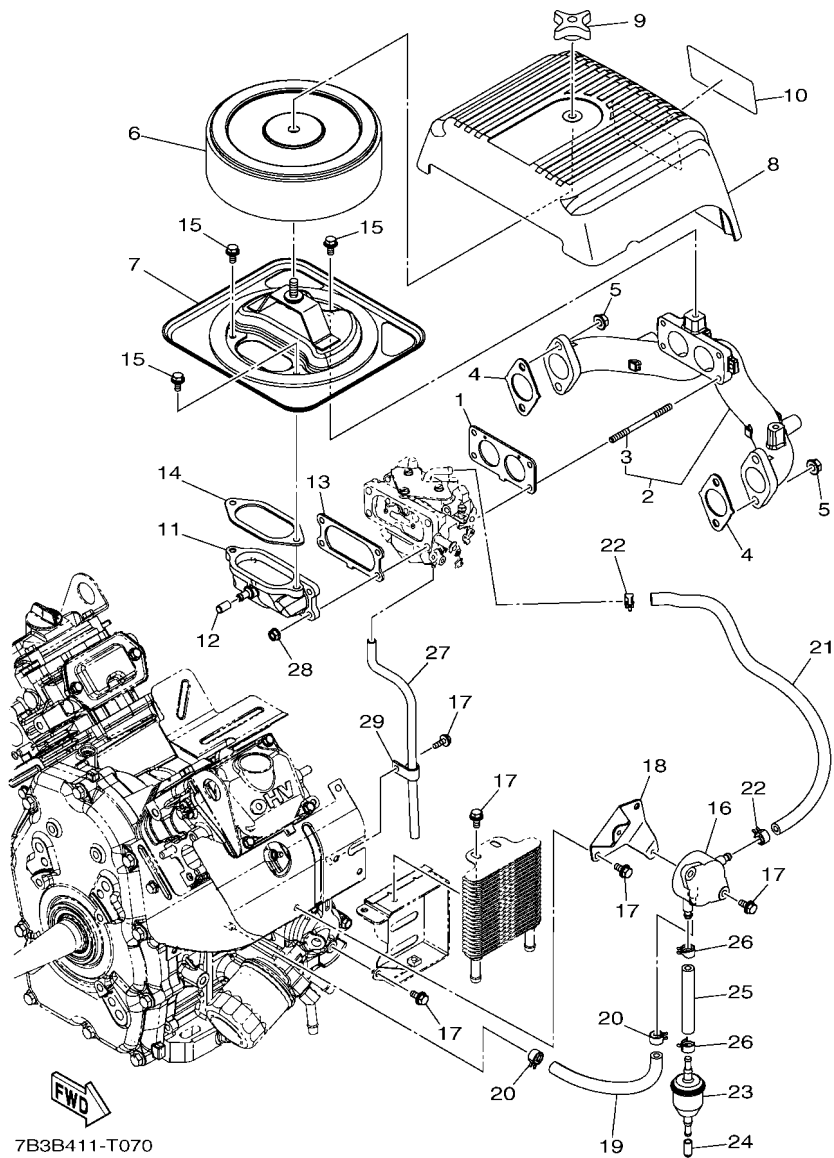
REF. NO.	PART NO.	DESCRIPTION	7B3B				REMARKS
1	7B3-12621-00	CASE, FAN	1				
2	7D3-5A142-00	BOLT, FLG. M6X14	6				
3	7D3-5A102-00	BOLT, FLANGE	2				
4	7D3-12611-00	FAN	1				
5	7D3-5236L-00	BOLT, SPECIAL 1	4				
6	7D3-12651-00	AIR SHROUD, CYLINDER 1	1				
7	7D3-5A140-00	BOLT, FLG. M6X12	8				
8	7B3-12652-00	AIR SHROUD, CYLINDER 2	1				
9	7B3-12653-00	AIR SHROUD, CYLINDER 3	1				
10	7D3-12654-00	AIR SHROUD, CYLINDER 4	1				

**FIG. 6 LUBRICATION**



FWD  
7B3B411-T060

REF. NO.	PART NO.	DESCRIPTION	7B3B				REMARKS
1	7D3-13310-00	ROTOR ASSY 1	1				
2	7D3-13411-00	STRAINER, OIL	1				
3	7D3-54547-00	BOLT, FLG. 1	1				
4	7D3-13316-00	COVER, PUMP	1				
5	7D3-17499-00	OIL SEAL	1				
6	7D3-13016-00	O-RING	1				
7	7D3-5A142-00	BOLT, FLG. M6X14	4				
8	7D3-13440-00	ELEMENT ASSY, OIL CLEANER	1				
9	7D3-13455-00	PLUG	1				
10	7D3-13475-00	GASKET	1				
11	7D3-22977-00	SPRING, RELIEF	1				
12	7D3-17051-00	BALL	1				
13	7B3-13470-00	OIL COOLER ASSY	1				
14	7B3-17848-00	ADAPTER	1				
15	7B3-13473-00	O-RING	1				
16	7D3-5A100-00	BOLT, FLANGE	3				
17	7B3-1371L-00	BRACKET	1				
18	7B3-1316F-00	HOSE, OIL 1	1				
19	7B3-1316G-00	HOSE, OIL 2	1				
20	7B3-5AB00-00	CLAMP, 1	4				

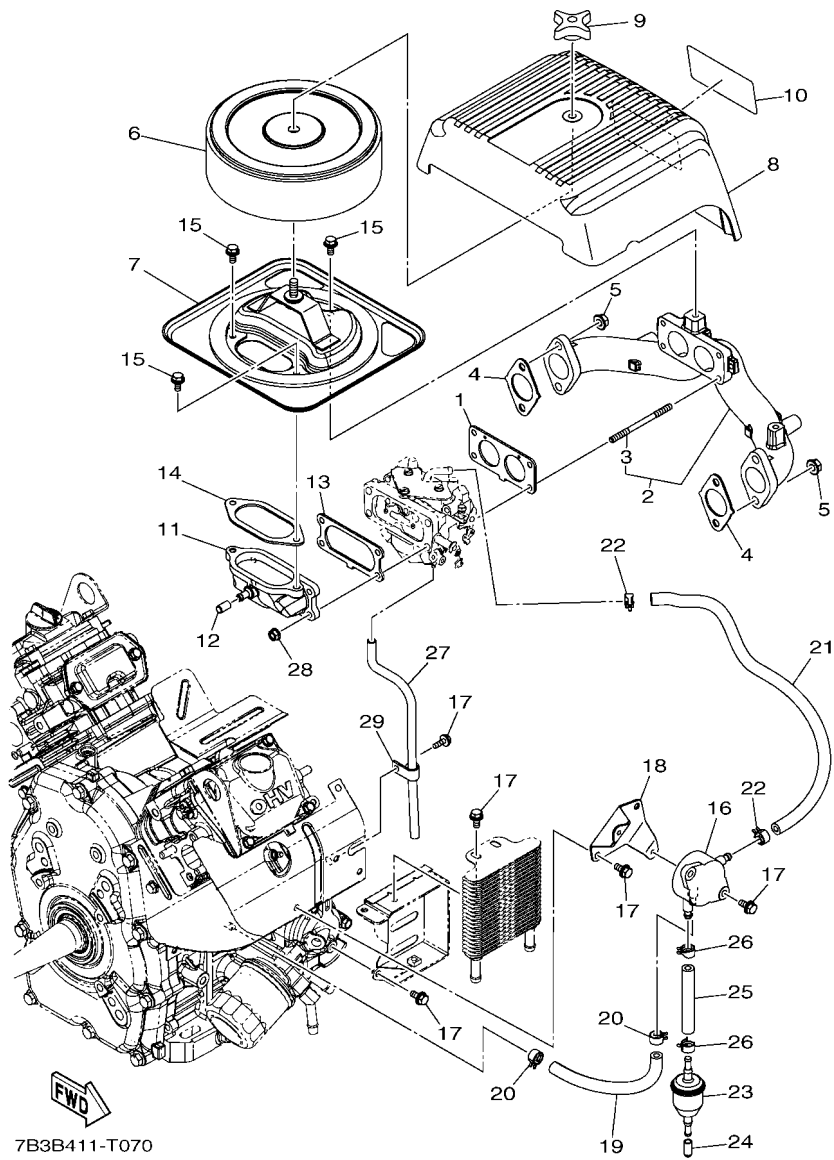


7B3B411-T070

FIG. 7 INTAKE

REF. NO.	PART NO.	DESCRIPTION	7B3B			REMARKS
1	7B3-13645-00	GASKET, MANIFOLD 1	1			
2	7B3-13630-00	INTAKE MANIFOLD ASSY.	1			
3	7B3-13558-00	.BOLT, STUD	4			
4	7D3-13566-00	GASKET	2			
5	7D3-5A332-00	NUT,FLG.	4			
6	7D3-14451-00	ELEMENT, AIR CLEANER	1			
7	7B3-14663-00	PLATE, AIR CLEANER	1			
8	7D3-14412-01	CAP, CLEANER CASE 1	1			
9	7D3-43372-00	NUT,WING	1			
10	7B3-12629-00	EMBLEM	1			
11	7B3-14453-00	JOINT, AIR CLEANER 1	1			
12	7B3-13587-00	CAP, JOINT	1			
13	7B3-13646-00	GASKET, MANIFOLD 2	1			
14	7B3-14416-00	GASKET, AIR CLEANER	1			
15	7D3-5A140-00	BOLT,FLG. M6X12	3			
16	JX4-24410-01	FUEL PUMP ASSY	1			
17	7D3-5A140-00	BOLT,FLG. M6X12	9			
18	7D3-24426-00	BRACKET, FUEL PUMP 2	1			
19	7D3-1243E-00	HOSE 2	1			
20	7D3-14137-00	CLIP	2			
21	7B3-13971-00	PIPE, FUEL 1	1			
22	7D3-14137-00	CLIP	2			
23	7D3-24502-00	FILTER, FUEL	1			
24	4NX-25335-00	CAP	1			
25	7D3-13972-00	PIPE, FUEL 2	1			
26	7D3-14137-00	CLIP	2			
27	7D3-1531A-00	HOSE, BREATHER 1	1			

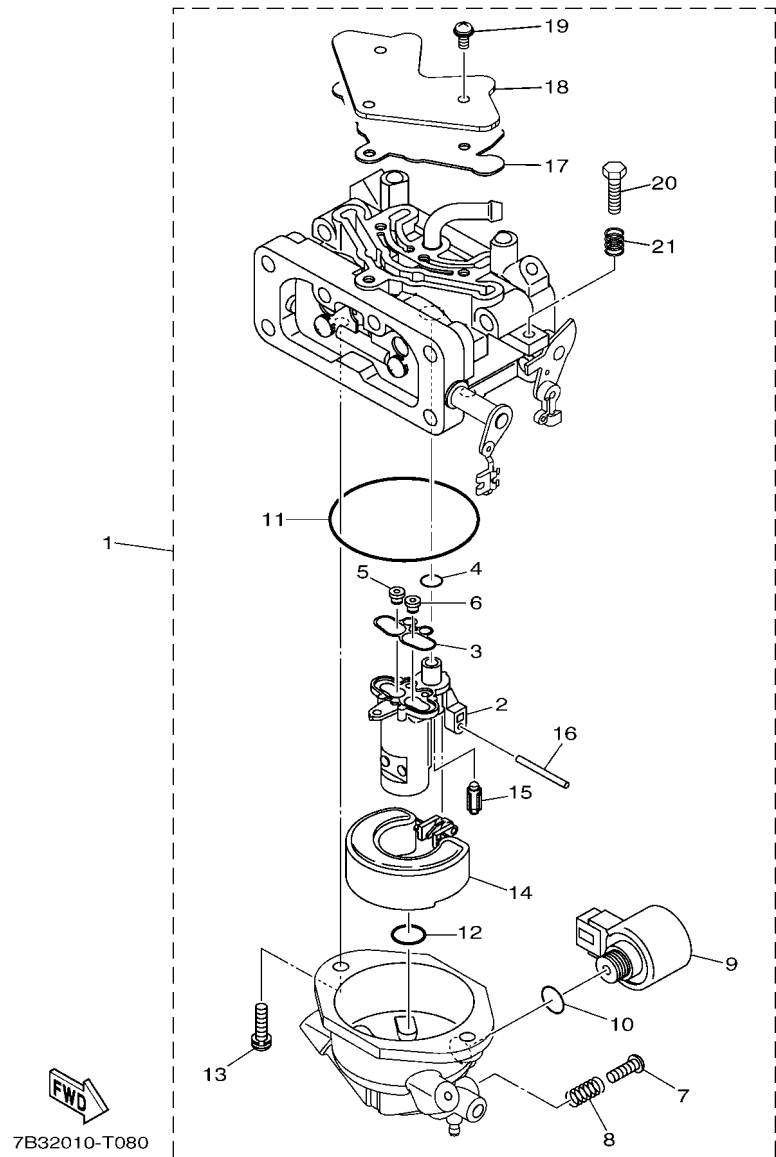
FIG. 7 INTAKE



7B3B411-T070

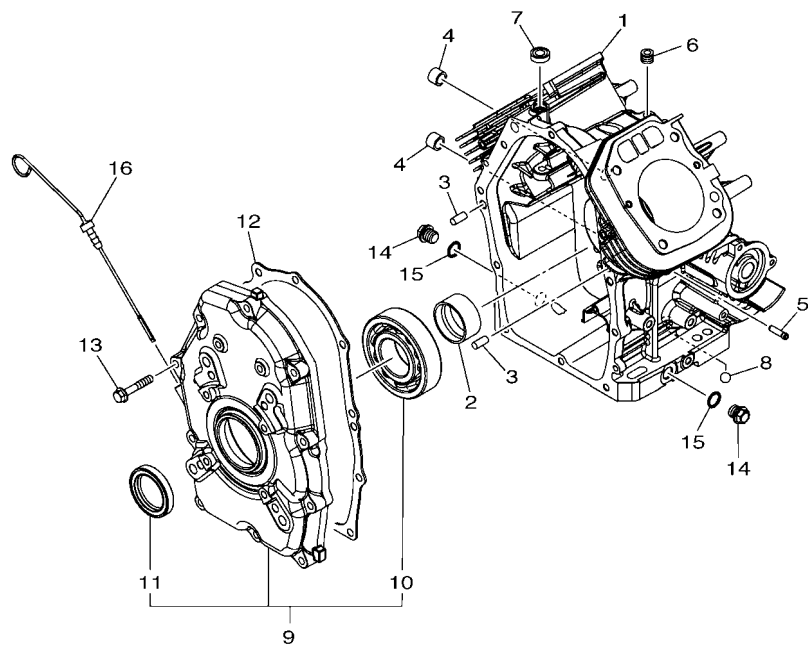
REF. NO.	PART NO.	DESCRIPTION	7B3B	REMARKS
28	7D3-5A329-00	NUT,FLG. M6	4	
29	7D3-81128-00	CLAMP	1	

**FIG. 8 CARBURETOR**



REF. NO.	PART NO.	DESCRIPTION	7B3B				REMARKS
1	7B3-14101-01	CARBURETOR ASSY 1	1				
2	7B3-14163-00	.SPACER	1				
3	7B3-14198-00	.GASKET	1				
4	7B3-1416A-00	.O-RING	1				
5	7B3-1492E-66	.JET, MAIN	1				
6	7B3-1492E-6G	.JET, MAIN	1				
7	7D3-14191-00	.PLUG, DRAIN	1				
8	7D3-14223-00	.SPRING, DRAIN VALVE	1				
9	7B3-1410H-00	.FUEL CUT SOLENOID VALVE	1				
10	7B3-14398-00	.GASKET	1				
11	7B3-14184-00	.GASKET, FLOAT CHAMBER	1				
12	7B3-14147-00	.O-RING	1				
13	7B3-14429-00	.SCREW	2				
14	7B3-14185-00	.FLOAT	1				
15	7B3-14150-00	.NEEDLE ASSY	1				
16	7B3-14186-00	.PIN, FLOAT	1				
17	7B3-14199-00	.GASKET	1				
18	7B3-14293-00	.COVER 1	1				
19	7B3-14565-00	.SCREW	3				
20	7B3-14922-00	.SCREW, THROTTLE	1				
21	7D3-14531-00	.SPRING, ADJUST SCREW	1				

**FIG. 9 CRANKCASE**

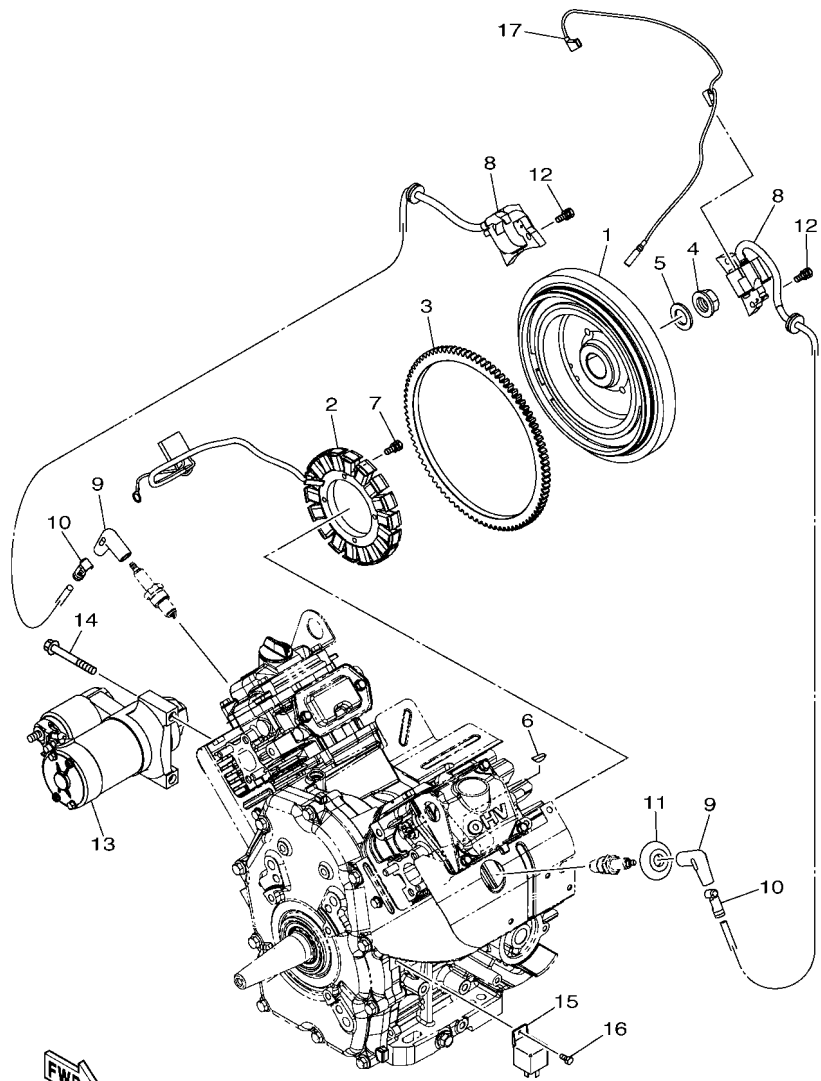


REF. NO.	PART NO.	DESCRIPTION	7B3B				REMARKS
1	7B3-15111-00	CRANKCASE 1	1				
2	7D3-15693-00	BEARING	1				
3	7D3-15181-00	PIN, DOWEL	2				
4	7D3-15541-00	COLLAR	2				
5	7D3-14485-00	PIPE, JOINT	1				
6	7D3-15167-00	PLUG, BLIND 1	1				
7	7D3-1511A-00	OIL SEAL	1				
8	7D3-1431C-00	BALL,BLIND 2	1				
9	7D3-15410-10	CRANKCASE COVER ASSY 1	1				
10	7B3-15693-00	.BEARING	1				
11	7D3-1511B-00	.OIL SEAL	1				
12	7D3-15451-00	GASKET, CRANKCASE COVER 1	1				
13	7D3-5A112-00	BOLT, FLANGE	10				
14	7D3-15351-00	PLUG, DRAIN	2				
15	7D3-11198-00	GASKET	2				
16	7D3-15361-00	GAUGE, LEVEL	1				



7B3B411-T100



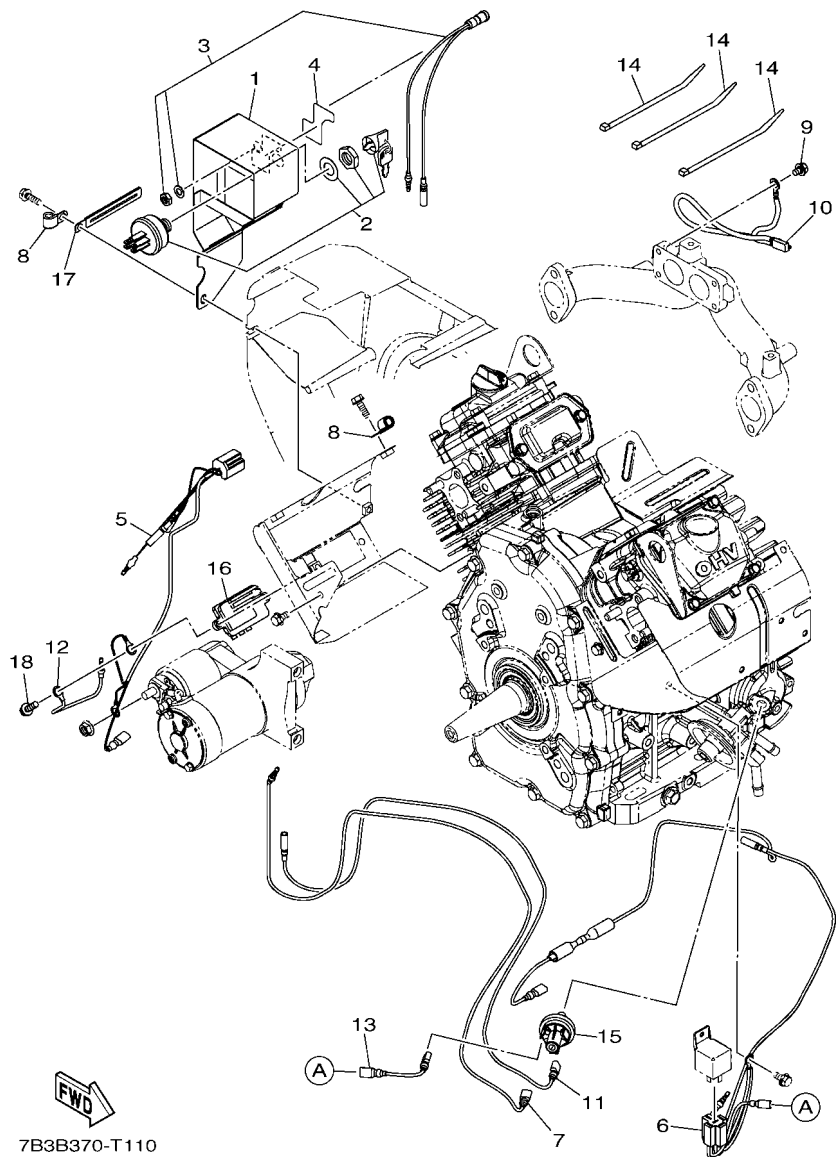


7B3B370-T100

FIG. 10 MAGNETO

REF. NO.	PART NO.	DESCRIPTION	7B3B				REMARKS
1	7D3-85550-00	ROTOR ASSY	1				
2	7D3-81410-00	STATOR ASSY	1				
3	7D3-81891-00	GEAR, RING	1				
4	7D3-11555-00	NUT, CRANKSHAFT 1	1				
5	7D3-5A405-00	WASHER, PLAIN	1				
6	7D3-11545-00	KEY, WOODRUFF	1				
7	7D3-5159J-00	BOLT, SPECIAL 1	4				
8	7D3-82310-00	IGNITION COIL ASSY	2				
9	7D3-82370-00	PLUG CAP ASSY	2				
10	7D3-81925-00	TERMINAL	2				
11	7B3-81336-00	GROMMET	1				
12	7D3-5236L-10	BOLT, SPECIAL 1	4				
13	7D3-81800-00	STARTING MOTOR ASSY	1				
14	7D3-5A106-00	BOLT, FLANGE	2				
15	7B3-81951-00	RELAY	1				
16	7B3-5A103-00	BOLT, HEXAGON	1				
17	7D3-81115-00	WIRE, LEAD	1				

**FIG. 11 ELECTRICAL**

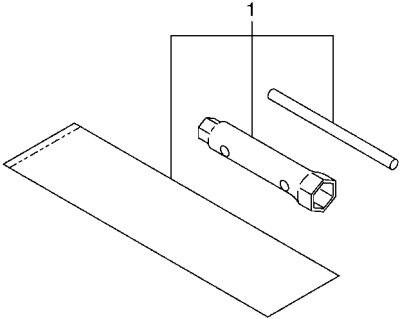


7B3B370-T110

REF. NO.	PART NO.	DESCRIPTION	7B3B				REMARKS
1	7D3-82568-00	COVER, MAIN SWITCH	1				
2	7D3-82511-00	KEY, MAIN SWITCH	1				
3	7D3-85770-01	OIL PILOT LIGHT ASSY	1				
4	7D3-24156-00	INDICATOR, STARTER LEVER	1				
5	7D3-82105-00	WIRE HARNESS	1				
6	7B3-82590-00	WIRE HARNESS ASSY	1				
7	7D3-82117-00	WIRE, LEAD	1				
8	7D3-81128-00	CLAMP	2				
9	7D3-5A134-00	BOLT, FLANGE M6-1.0X8	1				
10	7B3-81215-00	WIRE, LEAD 1	1				
11	7D3-82117-10	WIRE, LEAD	1				
12	7B3-81517-00	WIRE, SUB LEAD	1				
13	7B3-82309-00	WIRE, SUB LEAD	1				
14	7D3-81328-00	CLAMP	3				
15	7B3-82504-00	OIL PRESSURE SWITCH ASSY	1				
16	7D3-81960-00	RECTIFIER & REGULATOR ASSY	1				
17	7D3-81528-00	CLAMP 1	1				
18	7D3-5A102-00	BOLT, FLANGE	2				

**FIG. 12 BODY FITTING**

REF. NO.	PART NO.	DESCRIPTION	7B3B				REMARKS
1	7D3-28100-00	TOOL KIT	1				



7B32010-T130

NUMERICAL INDEX

PART NO.	REF. NO.	PART NO.	REF. NO.	PART NO.	REF. NO.	PART NO.	REF. NO.	PART NO.	REF. NO.	PART NO.	REF. NO.
7B3-11110-00	1 - 1	7D3-12116-00	4 - 6	7D3-14137-00	7 - 26	7B3-17848-00	6 - 14	7D3-5A433-00	3 - 6		
7D3-11119-00	1 - 14	7D3-12117-00	4 - 7	7B3-14147-00	8 - 12	7B3-18615-00	3 - 16	7B3-5AB00-00	6 - 20		
7B3-11120-00	1 - 4	7D3-12118-00	4 - 8	7B3-14150-00	8 - 15	7D3-22977-00	6 - 11	7D3-81115-00	10 - 17		
7B3-11166-00	1 - 21	7D3-12119-00	1 - 3	7B3-14163-00	8 - 2	7D3-24156-00	11 - 4	7D3-81128-00	7 - 29		
7D3-11179-00	1 - 2		1 - 6	7B3-1416A-00	8 - 4	JX4-24410-01	7 - 16		11 - 8		
	1 - 5	7D3-12121-00	4 - 3	7B3-14184-00	8 - 11	7D3-24426-00	7 - 18	7B3-81215-00	11 - 10		
7B3-11181-00	1 - 7	7D3-12151-00	4 - 9	7B3-14185-00	8 - 14	7D3-24502-00	7 - 23	7D3-81328-00	11 - 14		
7B3-11182-00	1 - 8	7D3-12153-00	4 - 4	7B3-14186-00	8 - 16	4NX-25335-00	7 - 24	7B3-81336-00	10 - 11		
7D3-11191-00	1 - 11	7D3-12154-00	4 - 10	7D3-14191-00	8 - 7	7D3-28100-00	12 - 1	7D3-81410-00	10 - 2		
7D3-11192-00	1 - 12	7D3-12155-00	4 - 12	7B3-14198-00	8 - 3	7B3-41240-10	3 - 13	7B3-81517-00	11 - 12		
7D3-11198-00	9 - 15	7D3-12157-00	4 - 13	7B3-14199-00	8 - 17	7B3-41256-00	3 - 25	7D3-81528-00	11 - 17		
7D3-1119C-00	1 - 10	7D3-12158-00	4 - 14	7D3-14223-00	8 - 8	7D3-41271-00	3 - 26	7D3-81800-00	10 - 13		
7D3-11355-00	1 - 13	7D3-12165-00	4 - 11	7B3-14293-00	8 - 18	7D5-41283-10	3 - 12	7D3-81891-00	10 - 3		
7D3-11387-00	1 - 22	7B3-12181-00	4 - 1	7D3-1431C-00	9 - 8	7D3-42823-00	3 - 27	7D3-81925-00	10 - 10		
7D3-11420-00	2 - 1	7D3-1243E-00	7 - 19	7B3-14398-00	8 - 10	7D3-43372-00	7 - 9	7B3-81951-00	10 - 15		
7D3-11426-00	3 - 5	7D3-12611-00	5 - 4	7D3-14412-01	7 - 8	7D3-43619-00	3 - 28	7D3-81960-00	11 - 16		
7D3-11486-00	2 - 7	7B3-12621-00	5 - 1	7B3-14416-00	7 - 14	7D3-5159J-00	10 - 7	7D3-82105-00	11 - 5		
7D3-11545-00	10 - 6	7B3-12629-00	7 - 10	7B3-14429-00	8 - 13	7D3-5236L-00	5 - 5	7D3-82117-00	11 - 7		
7D3-11555-00	10 - 4	7D3-12651-00	5 - 6	7D3-14451-00	7 - 6	7D3-5236L-10	10 - 12	7D3-82117-10	11 - 11		
7D3-11561-00	2 - 10	7B3-12652-00	5 - 8	7B3-14453-00	7 - 11	7D3-5236L-20	3 - 20	7B3-82309-00	11 - 13		
7D3-11561-10	2 - 10	7B3-12653-00	5 - 9	7D3-14485-00	9 - 5	7D3-5241F-00	3 - 18	7D3-82310-00	10 - 8		
7D3-11561-20	2 - 10	7D3-12654-00	5 - 10	7D3-14531-00	8 - 21	7D3-54142-00	3 - 14	7D3-82370-00	10 - 9		
7D3-11588-00	3 - 17	7D3-13016-00	6 - 6	7B3-14565-00	8 - 19	7D3-54542-00	3 - 15	7B3-82504-00	11 - 15		
7B3-11611-00	2 - 3	7B3-1316F-00	6 - 18	7B3-14582-00	3 - 24	7D3-54545-00	3 - 21	7D3-82511-00	11 - 2		
7B3-11611-10	2 - 3	7B3-1316G-00	6 - 19	7B3-14663-00	7 - 7	7D3-54547-00	6 - 3	7D3-82568-00	11 - 1		
7B3-11611-20	2 - 3	7D3-13310-00	6 - 1	7B3-14922-00	8 - 20	7D3-5A100-00	1 - 15	7B3-82590-00	11 - 6		
7B3-11612-00	2 - 4	7D3-13316-00	6 - 4	7B3-1492E-66	8 - 5		6 - 16	7D3-85550-00	10 - 1		
7B3-11612-10	2 - 4	7D3-13411-00	6 - 2	7B3-1492E-6G	8 - 6	7D3-5A102-00	5 - 3	7D3-85770-01	11 - 3		
7B3-11612-20	2 - 4	7D3-13440-00	6 - 8	7B3-15111-00	9 - 1		11 - 18				
7B3-11614-00	2 - 5	7D3-13455-00	6 - 9	7D3-15114-00	1 - 24	7B3-5A103-00	10 - 16				
7B3-11614-10	2 - 5	7B3-13470-00	6 - 13	7D3-1511A-00	9 - 7	7D3-5A106-00	10 - 14				
7B3-11614-20	2 - 5	7B3-13473-00	6 - 15	7D3-1511B-00	9 - 11	7D3-5A112-00	9 - 13				
7B3-11631-00	2 - 2	7D3-13475-00	6 - 10	7D3-15167-00	9 - 6	7D3-5A116-00	1 - 9				
7D3-11633-00	2 - 6	7D3-13516-00	1 - 20	7D3-15181-00	9 - 3	7D3-5A122-00	3 - 29				
7B3-11635-00	2 - 2	7B3-13558-00	7 - 3	7D3-1531A-00	7 - 27	7D3-5A134-00	11 - 9				
7B3-11636-00	2 - 2	7D3-13566-00	7 - 4	7D3-15351-00	9 - 14	7D3-5A140-00	3 - 22				
7D3-11650-00	2 - 8	7B3-13587-00	7 - 12	7D3-15361-00	9 - 16		5 - 7				
7D3-11654-00	2 - 9	7D3-13610-00	1 - 17	7D3-1536A-00	1 - 23		7 - 15				
7D3-11913-00	3 - 2	7B3-13630-00	7 - 2	7D3-15374-00	1 - 18		7 - 17				
7D3-11914-00	3 - 3	7B3-13645-00	7 - 1	7D3-15410-10	9 - 9	7D3-5A142-00	1 - 19				
7D3-11917-00	3 - 4	7B3-13646-00	7 - 13	7D3-15423-00	1 - 16		5 - 2				
7D3-11922-10	3 - 8	7B3-1371L-00	6 - 17	7D3-15451-00	9 - 12		6 - 7				
7D3-11924-00	3 - 7	7B3-13971-00	7 - 21	7D3-15541-00	9 - 4	7D3-5A201-00	3 - 30				
7B3-11925-10	3 - 9	7D3-13972-00	7 - 25	7B3-15693-00	9 - 10	7D3-5A329-00	3 - 19				
7B3-11928-00	3 - 10	7B3-14101-01	8 - 1	7D3-15693-00	9 - 2		7 - 28				
7D3-11972-00	3 - 1	7B3-1410H-00	8 - 9	7D3-16173-00	4 - 5	7D3-5A332-00	7 - 5				
7B3-11979-00	3 - 11	7D3-14137-00	7 - 20	7D3-17051-00	6 - 12	7D3-5A403-00	3 - 23				
7D3-12111-00	4 - 2		7 - 22	7D3-17499-00	6 - 5	7D3-5A405-00	10 - 5				