

PARTS CATALOGUE

EH72K5360 (7B3B) EUR



1T7B3-300E1

()

EH72K5360
PARTS CATALOGUE
©2019 by Yamaha Motor Co., Ltd.
1st edition, October 2019
All rights reserved.
Any reprinting or unauthorized use
without the written permission of
Yamaha Motor Co., Ltd.
is expressly prohibited.
Printed in Japan.

FOREWORD

This Parts Catalogue is related to the parts for the model(s) on the cover page. When you are ordering replacement parts, please refer to this Parts Catalogue and quote both part numbers and part names correctly.

1. Modifications or additions which have been made after the issue of the Parts Catalogue will be announced in the Parts News.
It is advisable that you make the necessary corrections to the Parts Catalogue according to the Parts News.

2. Abbreviations

The following abbreviations are used in this Parts Catalogue.

“UR” Use specified parts number.

“UN” Use as many as needed.

“AP” Alternate Parts

“LM” Locally Made (Parts need to be ordered locally)

“F#” Frame No. (Applicable machine No.)

“O/S” Over Size

3. The number of components for assembly

- Parts, which are to be supplied in an assembly, are listed with a dot (.) in front of the part name as shown below.
- The numeral appearing to the right of each component part indicates the quantity of parts for each assembly unit.

PART NO.	DESCRIPTION	Q'TY	REMARKS
2F5-83310-60	FRONT FLASHER LIGHT ASSY	2	
115-83311-60	.BULB (6V-18W)	1	

4. Applicable colours of graphics are represented in the “REMARKS” as shown below.

PART NO.	DESCRIPTION	Q'TY	REMARKS
2N4-24110-00-X5	FUEL TANK COMP.	2	MXR
3J1-24240-10	.GRAPHIC, FUEL TANK	1	FOR MXR

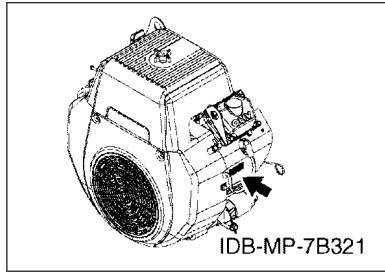
5. Note that the illustrations for reference in finding parts numbers are not to be used for assembling. When assembling, please use the applicable service manual.

6. The asterisk (*) before a reference number indicates modified items after the first edition.

FOREWORD

7. Applicable Serial No.

Frame Serial No.



8. Applicable Colour Code (The (*) mark shows Model colour.)

Abbreviation	Colour Name	Colour Code

9. Applicable Starting Serial No.

Engine Serial No.

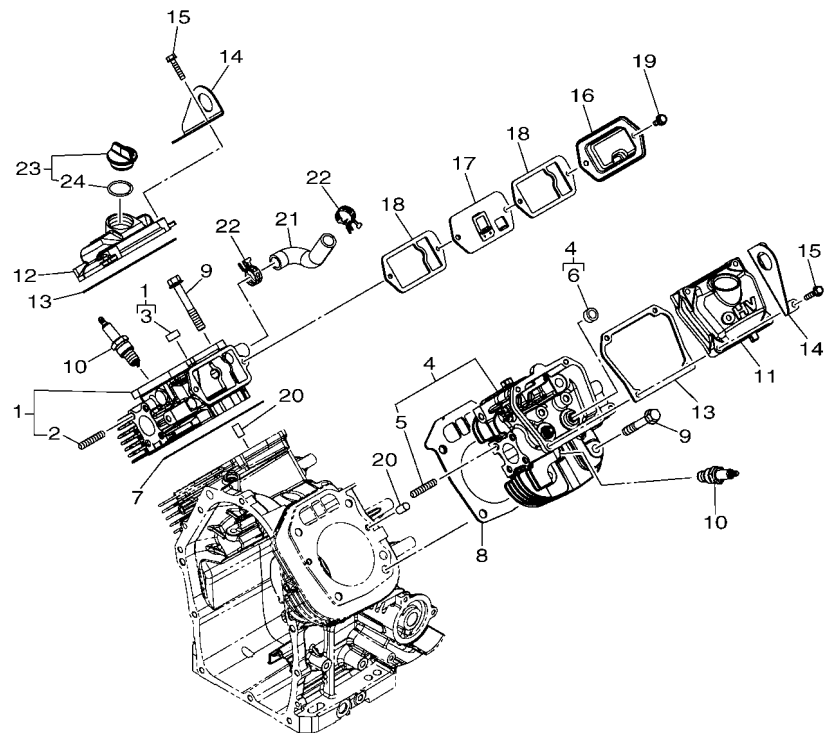
Serial No.	Name Of Q'ty Column	Model Code
7B3B-6000101	7B3B	7B3B

CONTENTS

CYLINDER.....	1
CRANKSHAFT & PISTON.....	2
GOVERNOR.....	3
CAMSHAFT & VALVE.....	5
AIR SHROUD & STARTER.....	6
LUBRICATION.....	7
INTAKE.....	8
CARBURETOR.....	10
EXHAUST.....	11
CRANKCASE.....	12
FUEL TANK.....	13
MAGNETO.....	14
ELECTRICAL.....	15
BODY FITTING.....	16

INDEX

NUMERICAL INDEX.....	17
----------------------	----



7B32010-T010

FIG. 1 CYLINDER

REF. NO.	PART NO.	DESCRIPTION	7B3B				REMARKS
1	7B3-11110-00	CYLINDER HEAD ASSY	1				
2	7D3-11179-00	.BOLT, STUD	4				
3	7D3-12119-00	.SEAL, VALVE STEM	1				
4	7B3-11120-00	CYLINDER HEAD ASSY 2	1				
5	7D3-11179-00	.BOLT, STUD	4				
6	7D3-12119-00	.SEAL, VALVE STEM	1				
7	7B3-11181-00	GASKET, CYLINDER HEAD 1	1				
8	7B3-11182-00	GASKET, CYLINDER HEAD 2	1				
9	7D3-5A116-00	BOLT, FLANGE	8				
10	7D3-1119C-00	PLUG, SPARK	2				
11	7D3-11191-00	COVER, CYLINDER HEAD 1	1				
12	7D3-11192-00	COVER, CYLINDER HEAD 2	1				
13	7D3-11355-00	SEAL, CYLINDER 1	2				
14	7D3-11119-00	HANGER, ENGINE	2				
15	7D3-5A100-00	BOLT, FLANGE	8				
16	7D3-15423-00	COVER 2	1				
17	7D3-13610-00	REED VALVE ASSY	1				
18	7D3-15374-00	GASKET, BREATHER	2				
19	7D3-5A142-00	BOLT, FLG. M6X14	2				
20	7D3-13516-00	PIN, DOWEL	4				
21	7B3-11166-00	PIPE, BREATHER 1	1				
22	7D3-11387-00	CLAMP, HOSE 1	2				
23	7D3-1536A-00	PLUG, OIL LEVEL	1				
24	7D3-15114-00	.O-RING	1				

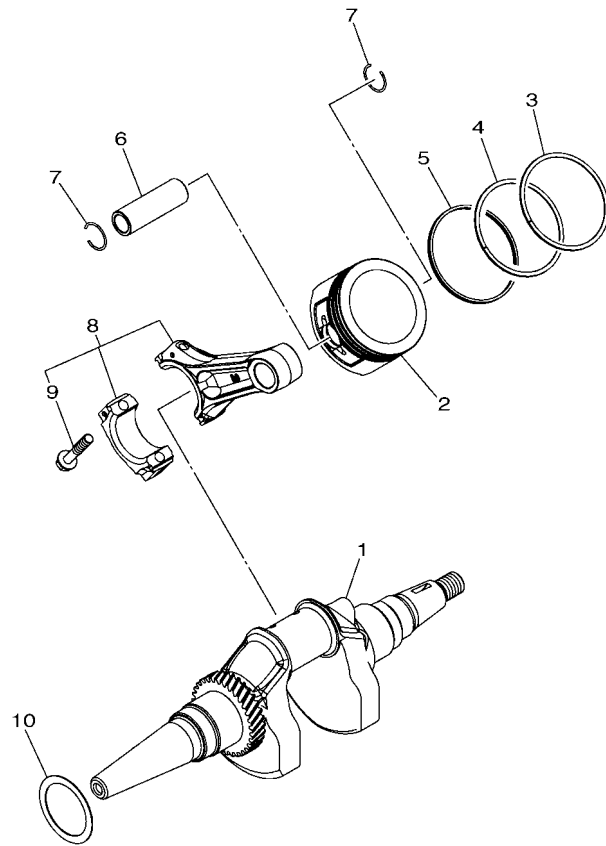
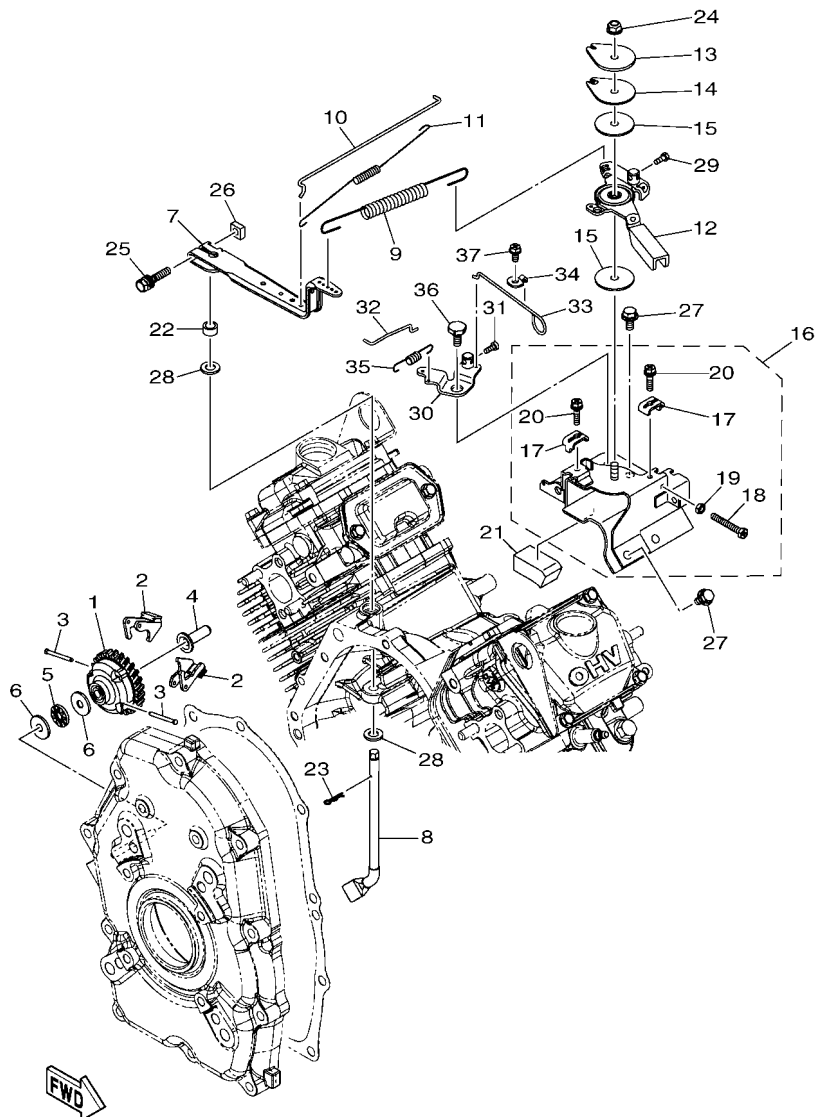


FIG. 2 CRANKSHAFT & PISTON

REF. NO.	PART NO.	DESCRIPTION	7B3B				REMARKS
1	7D3-11420-00	CRANKSHAFT	1				
2	7B3-11631-00	PISTON (STD)	2				
	7B3-11635-00	PISTON (0.25MM O/S)	2				AP
	7B3-11636-00	PISTON (0.50MM O/S)	2				AP
3	7B3-11611-00	RING, PISTON	2				
	7B3-11611-10	RING, PISTON	2				AP
	7B3-11611-20	RING, PISTON	2				AP
4	7B3-11612-00	2ND RING, PISTON	2				
	7B3-11612-10	2ND RING, PISTON	2				AP
	7B3-11612-20	2ND RING, PISTON	2				AP
5	7B3-11614-00	OIL RING, PISTON	2				
	7B3-11614-10	OIL RING, PISTON	2				AP
	7B3-11614-20	OIL RING, PISTON	2				AP
6	7D3-11633-00	PIN, PISTON	2				
7	7D3-11486-00	CLIP	4				
8	7D3-11650-00	CONNECTING ROD ASSY	2				
9	7D3-11654-00	.BOLT, CONNECTING ROD	2				
10	7D3-11561-00	SHIM, CRANK 1	1				UR
	7D3-11561-10	SHIM, CRANK 1	1				UR
	7D3-11561-20	SHIM, CRANK 1	1				UR



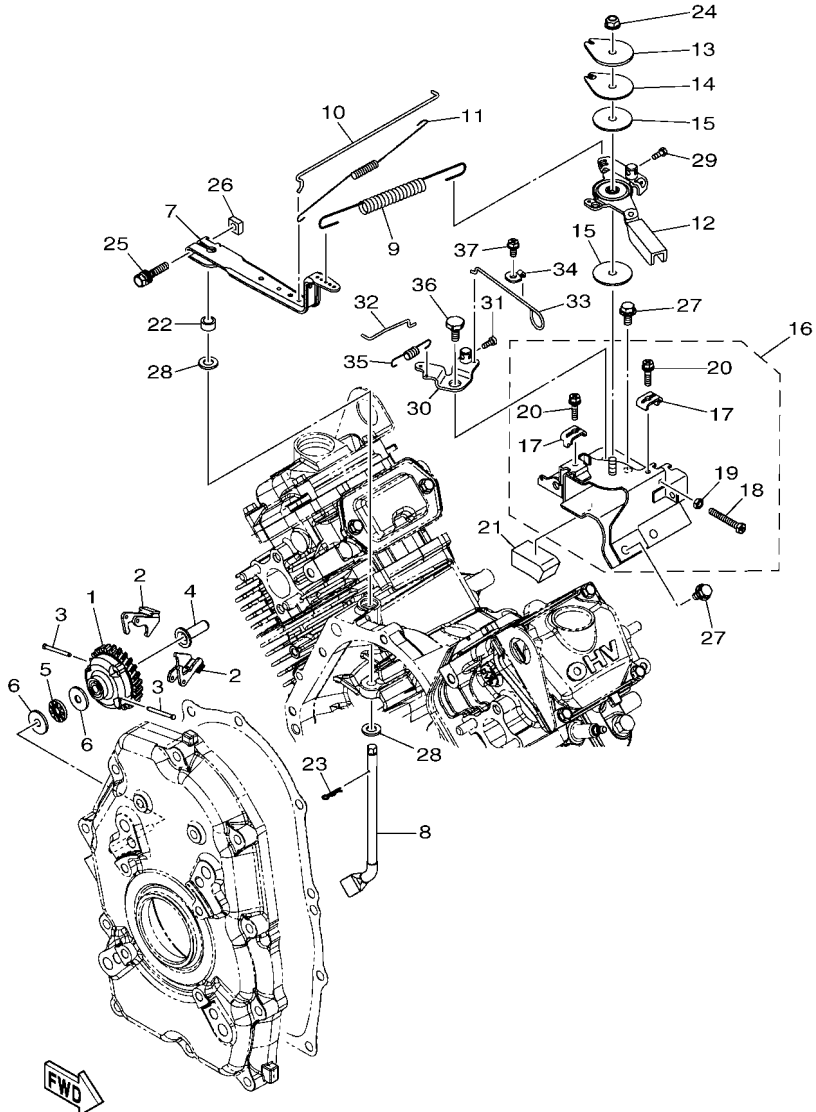
7B3B010-T020



7B3B300-T030

FIG. 3 GOVERNOR

REF. NO.	PART NO.	DESCRIPTION	7B3B				REMARKS
1	7D3-11972-00	GEAR, FLYWEIGHT SHAFT	1				
2	7D3-11913-00	WEIGHT	2				
3	7D3-11914-00	SHAFT, WEIGHT	2				
4	7D3-11917-00	COLLAR	1				
5	7D3-11426-00	BEARING, THRUST 1	1				
6	7D3-5A433-00	WASHER, 2	2				
7	7D3-11924-00	ARM, GOVERNOR	1				
8	7D3-11922-10	FORK, GOVERNOR	1				
9	7B3-11925-10	SPRING, GOVERNOR	1				
10	7B3-11928-00	ROD, LINK	1				
11	7B3-11979-00	SPRING, ROD	1				
12	7B3-41270-20	ACCEL. LEVER ASSY 1	1				
13	7D3-41297-00	WASHER, 1	1				
14	7D3-5A402-00	WASHER, SPRING	1				
15	7D3-5A400-00	WASHER, PLAIN	2				
16	7D3-41240-00	THROTTLE LEVER COMP.	1				
17	7D3-11933-00	.PLATE, ADJUST	2				
18	7D3-54142-00	.BOLT,1	1				
19	7D3-54542-00	.NUT,1	1				
20	7D3-54143-00	.BOLT 2	2				
21	7B3-18615-00	DAMPER, RUBBER	1				
22	7D3-11588-00	SPACER	1				
23	7D3-5241F-00	PIN	1				
24	7D3-5A357-00	NUT, SELF-LOCKING	1				
25	7D3-5236L-20	BOLT, SPECIAL 1	1				
26	7D3-54545-00	NUT,2	1				
27	7D3-5A140-00	BOLT,FLG. M6X12	2				

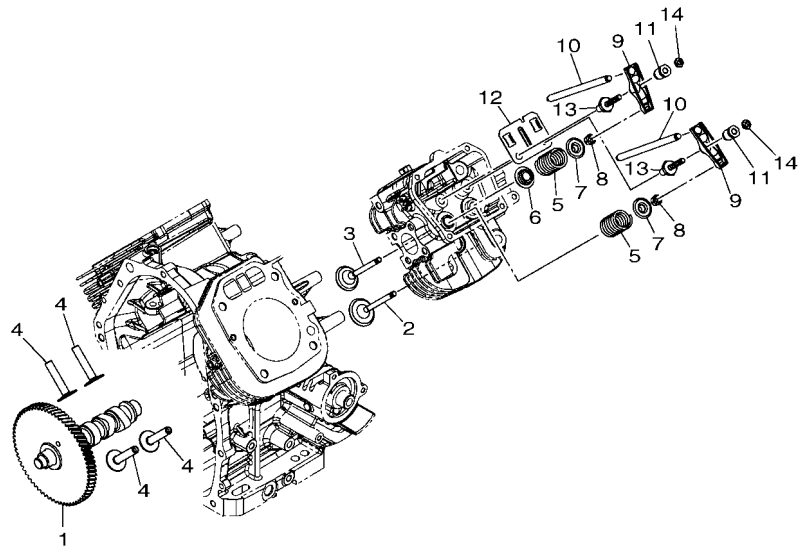


7B3B300-T030

FIG. 3 GOVERNOR

REF. NO.	PART NO.	DESCRIPTION	7B3B				REMARKS
28	7D3-5A403-00	WASHER, PLAIN	2				
29	7D3-11834-00	SCREW	1				
30	7B3-14201-00	CHOKE LEVER COMP.	1				
31	7D3-11834-00	SCREW	1				
32	7B3-41256-00	ROD, CHOKE 1	1				
33	7D3-41271-00	KNOB, CHOKE	1				
34	7D3-42823-00	PLATE, STOP	1				
35	7D3-43619-00	SPRING, TENSION	1				
36	7D3-5A122-00	BOLT	1				
37	7D3-5A201-00	SCREW, TAPPING	1				

FIG. 4 CAMSHAFT & VALVE

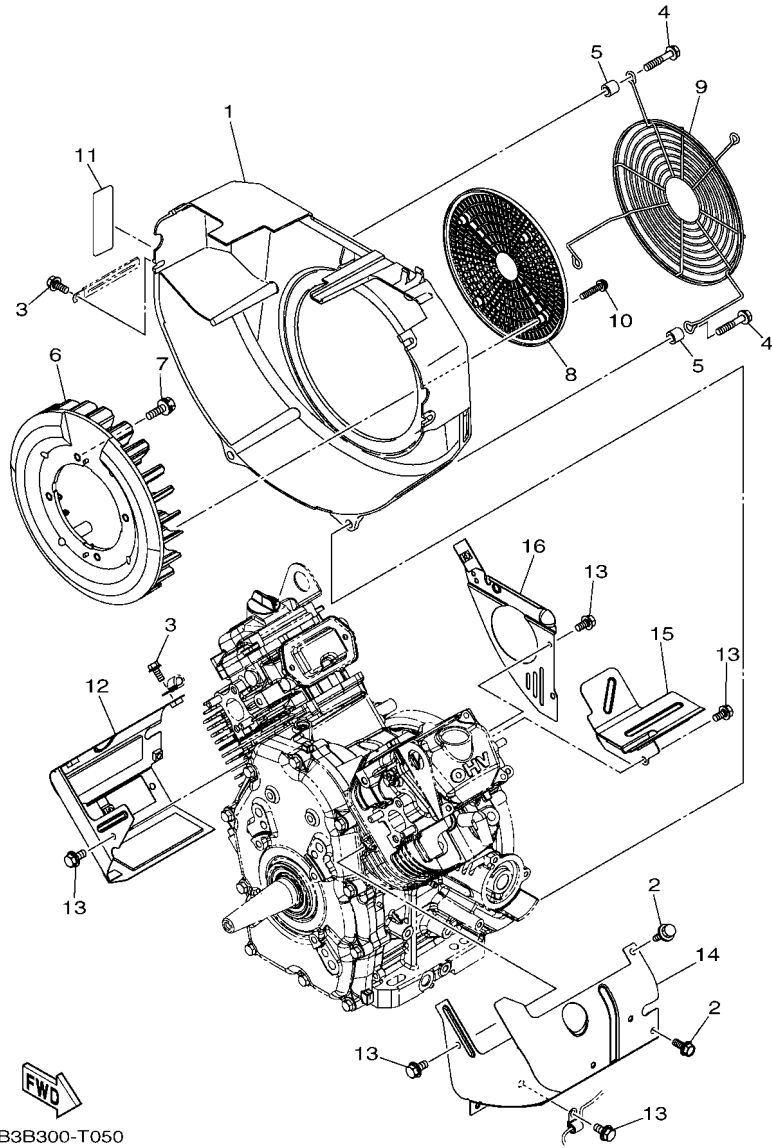


REF. NO.	PART NO.	DESCRIPTION	7B3B				REMARKS
1	7B3-12181-00	CAMSHAFT 2	1				
2	7D3-12111-00	VALVE, INTAKE	2				
3	7D3-12121-00	VALVE, EXHAUST	2				
4	7D3-12153-00	LIFTER, VALVE	4				
5	7D3-16173-00	SPRING, COMPRESSION	4				
6	7D3-12116-00	SEAT, VALVE SPRING	2				
7	7D3-12117-00	RETAINER, VALVE SPRING	4				
8	7D3-12118-00	LOCK, VALVE SPRING RETAINER	8				
9	7D3-12151-00	ARM, VALVE ROCKER	4				
10	7D3-12154-00	ROD, VALVE PUSH	4				
11	7D3-12165-00	PIVOT, ROCKER ARM	4				
12	7D3-12155-00	GUIDE, PUSH ROD	2				
13	7D3-12157-00	BOLT	4				
14	7D3-12158-00	NUT, LOCK	4				



7B32010-T040

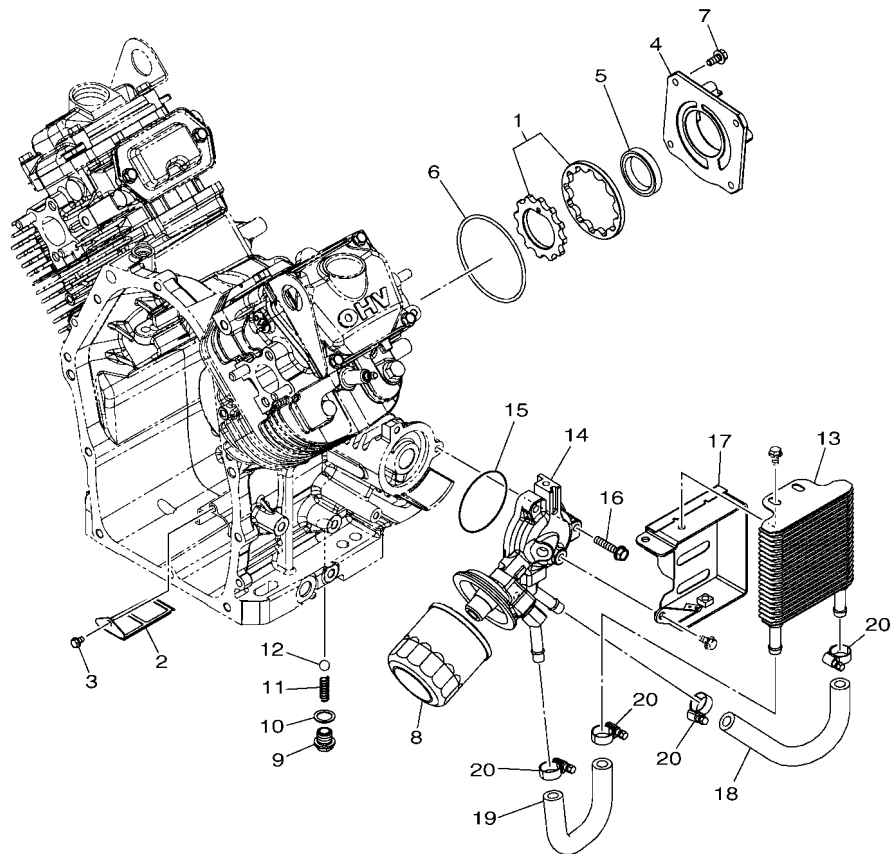
FIG. 5 AIR SHROUD & STARTER



7B3B300-T050

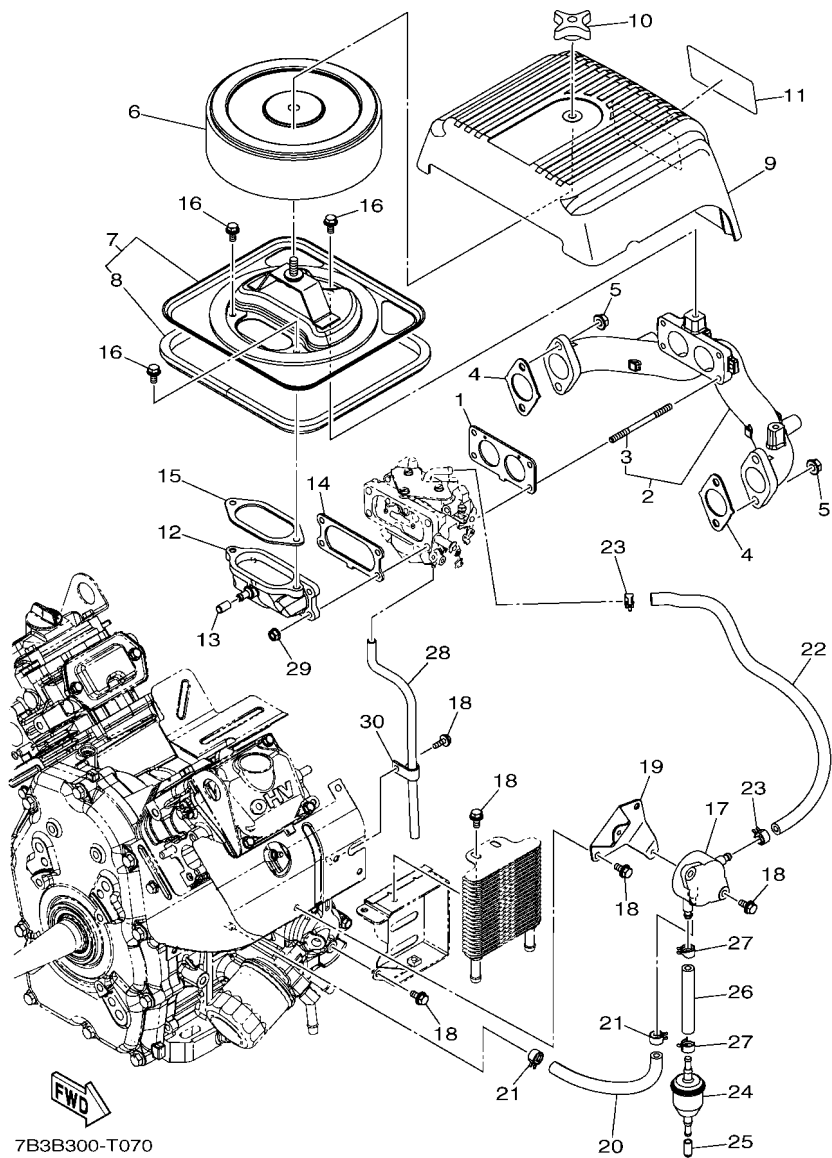
REF. NO.	PART NO.	DESCRIPTION	7B3B				REMARKS
1	7B3-12621-10	CASE, FAN	1				
2	7D3-5A142-00	BOLT,FLG. M6X14	2				
3	7D3-5A102-00	BOLT, FLANGE	2				
4	7D3-5A102-20	BOLT, FLANGE	4				
5	7D5-11588-00	SPACER	4				
6	7D5-12611-00	FAN	1				
7	7D3-5236L-00	BOLT, SPECIAL 1	4				
8	7D5-12681-00	PLATE	1				
9	7D5-1261J-00	COVER 1	1				
10	7D3-5238M-00	SCREW, SPECIAL 2	4				
11	7D3-24162-00	EMBLEM 2	1				
12	7D3-12620-00	AIR SHROUD ASSY	1				
13	7D3-5A140-00	BOLT,FLG. M6X12	8				
14	7B3-12650-00	AIR SHROUD ASSY.,2	1				
15	7B3-12653-00	AIR SHROUD, CYLINDER 3	1				
16	7D3-12654-00	AIR SHROUD, CYLINDER 4	1				

FIG. 6 LUBRICATION



FWD
7B3B411-T060

REF. NO.	PART NO.	DESCRIPTION	7B3B				REMARKS
1	7D3-13310-00	ROTOR ASSY 1	1				
2	7D3-13411-00	STRAINER, OIL	1				
3	7D3-54547-00	BOLT, FLG. 1	1				
4	7D3-13316-00	COVER, PUMP	1				
5	7D3-17499-00	OIL SEAL	1				
6	7D3-13016-00	O-RING	1				
7	7D3-5A142-00	BOLT, FLG. M6X14	4				
8	7D3-13440-00	ELEMENT ASSY, OIL CLEANER	1				
9	7D3-13455-00	PLUG	1				
10	7D3-13475-00	GASKET	1				
11	7D3-22977-00	SPRING, RELIEF	1				
12	7D3-17051-00	BALL	1				
13	7B3-13470-00	OIL COOLER ASSY	1				
14	7B3-17848-00	ADAPTER	1				
15	7B3-13473-00	O-RING	1				
16	7D3-5A100-00	BOLT, FLANGE	3				
17	7B3-1371L-00	BRACKET	1				
18	7B3-1316F-00	HOSE, OIL 1	1				
19	7B3-1316G-00	HOSE, OIL 2	1				
20	7B3-5AB00-00	CLAMP, 1	4				

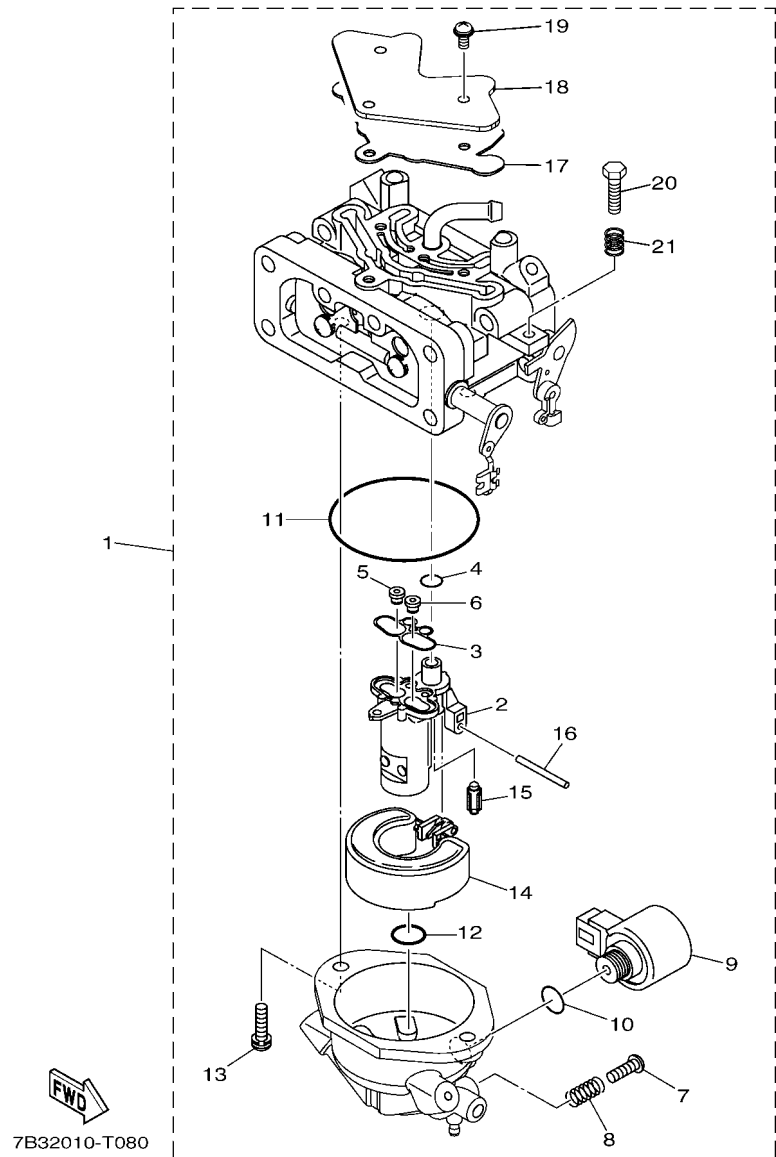


7B3B300-T070

FIG. 7 INTAKE

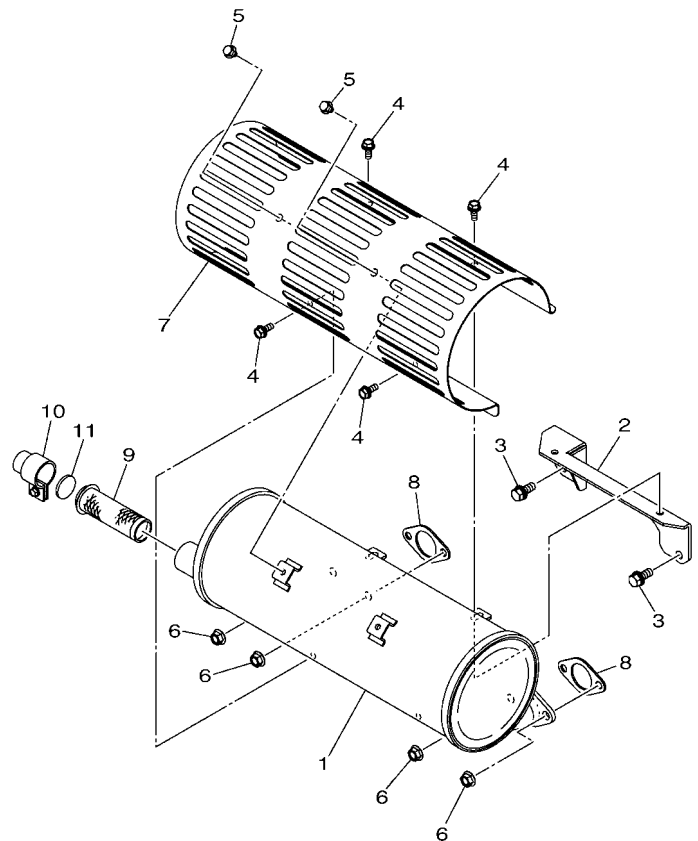
REF. NO.	PART NO.	DESCRIPTION	7B3B				REMARKS
1	7B3-13645-00	GASKET, MANIFOLD 1	1				
2	7B3-13630-00	INTAKE MANIFOLD ASSY.	1				
3	7B3-13558-00	.BOLT, STUD	4				
4	7D3-13566-00	GASKET	2				
5	7D3-5A332-00	NUT,FLG.	4				
6	7D3-14451-00	ELEMENT, AIR CLEANER	1				
7	7B3-14472-10	PLATE, ELEMENT	1				
8	90520-05029	.DAMPER, PLATE	1				
9	7D3-14412-01	CAP, CLEANER CASE 1	1				
10	7D3-43372-00	NUT,WING	1				
11	7B3-12629-00	EMBLEM	1				
12	7B3-14453-00	JOINT, AIR CLEANER 1	1				
13	7B3-13587-00	CAP, JOINT	1				
14	7B3-13646-00	GASKET, MANIFOLD 2	1				
15	7B3-14416-00	GASKET, AIR CLEANER	1				
16	7D3-5A140-00	BOLT,FLG. M6X12	3				
17	JX4-24410-01	FUEL PUMP ASSY	1				
18	7D3-5A140-00	BOLT,FLG. M6X12	9				
19	7D3-24426-00	BRACKET, FUEL PUMP 2	1				
20	7D3-1243E-00	HOSE 2	1				
21	7D3-14137-00	CLIP	2				
22	7B3-13971-00	PIPE, FUEL 1	1				
23	7D3-14137-00	CLIP	2				
24	7D3-24502-00	FILTER, FUEL	1				
25	4NX-25335-00	CAP	1				
26	7D3-13972-00	PIPE, FUEL 2	1				
27	7D3-14137-00	CLIP	2				

FIG. 8 CARBURETOR



REF. NO.	PART NO.	DESCRIPTION	7B3B				REMARKS
1	7B3-14101-01	CARBURETOR ASSY 1	1				
2	7B3-14163-00	.SPACER	1				
3	7B3-14198-00	.GASKET	1				
4	7B3-1416A-00	.O-RING	1				
5	7B3-1492E-66	.JET, MAIN	1				
6	7B3-1492E-6G	.JET, MAIN	1				
7	7D3-14191-00	.PLUG, DRAIN	1				
8	7D3-14223-00	.SPRING, DRAIN VALVE	1				
9	7B3-1410H-00	.FUEL CUT SOLENOID VALVE	1				
10	7B3-14398-00	.GASKET	1				
11	7B3-14184-00	.GASKET, FLOAT CHAMBER	1				
12	7B3-14147-00	.O-RING	1				
13	7B3-14429-00	.SCREW	2				
14	7B3-14185-00	.FLOAT	1				
15	7B3-14150-00	.NEEDLE ASSY	1				
16	7B3-14186-00	.PIN, FLOAT	1				
17	7B3-14199-00	.GASKET	1				
18	7B3-14293-00	.COVER 1	1				
19	7B3-14565-00	.SCREW	3				
20	7B3-14922-00	.SCREW, THROTTLE	1				
21	7D3-14531-00	.SPRING, ADJUST SCREW	1				

FIG. 9 EXHAUST

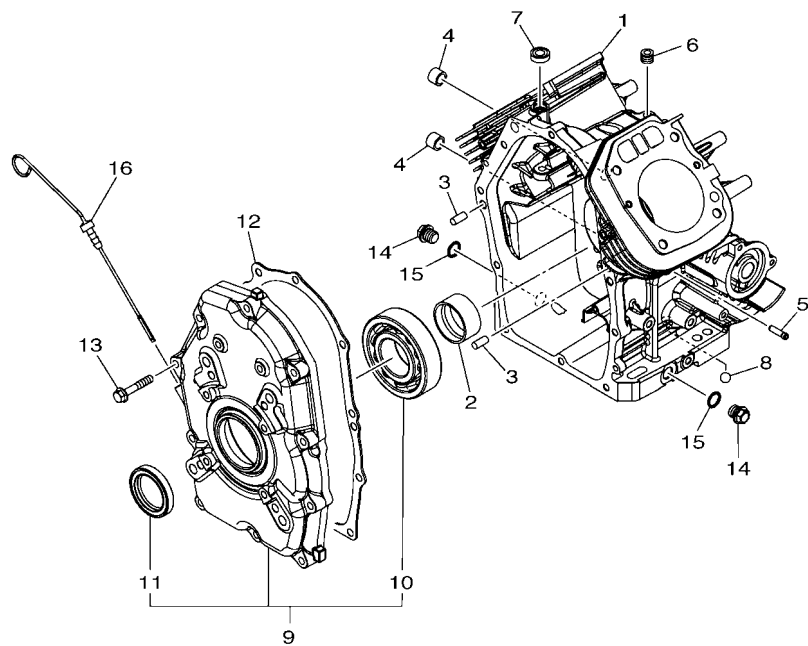


REF. NO.	PART NO.	DESCRIPTION	7B3B				REMARKS
1	7D3-14711-00	MUFFLER 1	1				
2	7D3-1471K-00	BRACKET 1-1	1				
3	7D3-5236P-00	BOLT,SPECIAL 4	2				
4	7D3-5A142-00	BOLT,FLG. M6X14	4				
5	7D3-5A134-00	BOLT, FLANGE M6-1.0X8	2				
6	7D3-5A332-00	NUT,FLG.	4				
7	7D3-14718-00	PROTECTOR, MUFFLER 1	1				
8	7D3-14613-00	GASKET, EXHAUST PIPE	2				
9	7D3-14786-00	ARRESTER, SPARK	1				
10	7D3-1477K-00	PLATE 1	1				
11	7D5-1477A-00	FIBER,1	1				



7B3B300-T090

FIG. 10 CRANKCASE

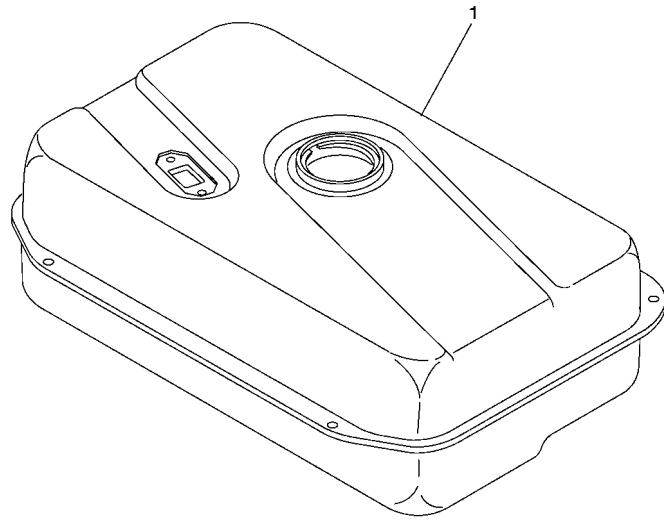


REF. NO.	PART NO.	DESCRIPTION	7B3B				REMARKS
1	7B3-15111-00	CRANKCASE 1	1				
2	7D3-15693-00	BEARING	1				
3	7D3-15181-00	PIN, DOWEL	2				
4	7D3-15541-00	COLLAR	2				
5	7D3-14485-00	PIPE, JOINT	1				
6	7D3-15167-00	PLUG, BLIND 1	1				
7	7D3-1511A-00	OIL SEAL	1				
8	7D3-1431C-00	BALL,BLIND 2	1				
9	7D3-15410-10	CRANKCASE COVER ASSY 1	1				
10	7B3-15693-00	.BEARING	1				
11	7D3-1511B-00	.OIL SEAL	1				
12	7D3-15451-00	GASKET, CRANKCASE COVER 1	1				
13	7D3-5A112-00	BOLT, FLANGE	10				
14	7D3-15351-00	PLUG, DRAIN	2				
15	7D3-11198-00	GASKET	2				
16	7D3-15361-00	GAUGE, LEVEL	1				



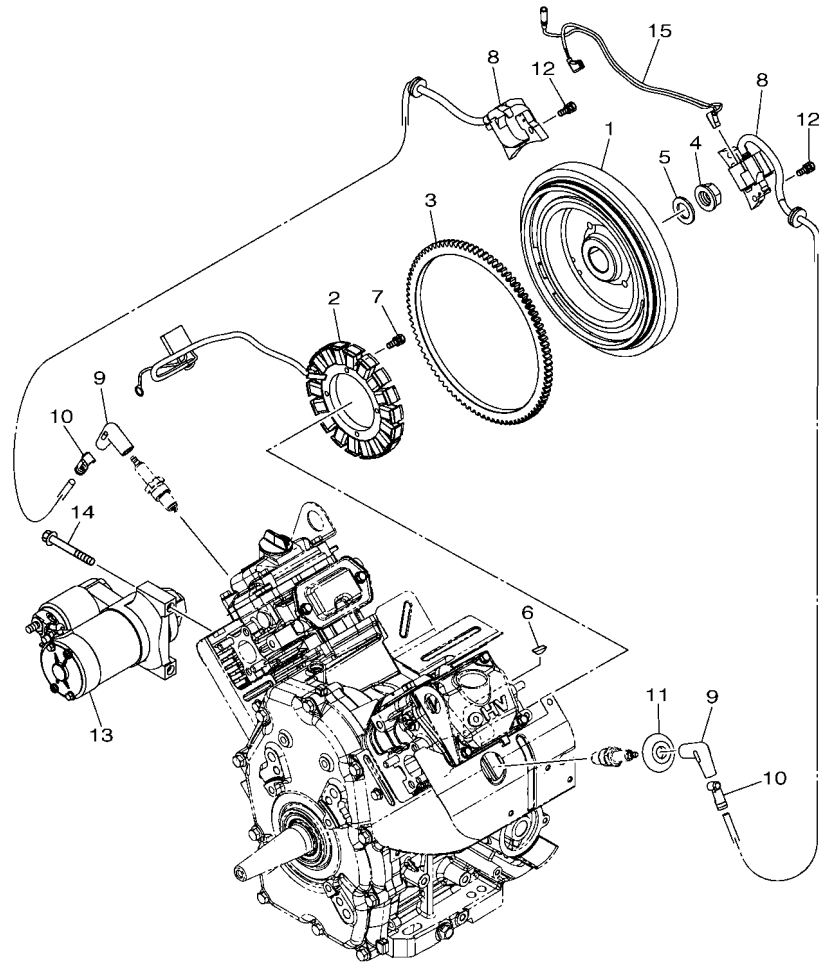
7B3B411-T100

FIG. 11 FUEL TANK



7B3B300-T110

REF. NO.	PART NO.	DESCRIPTION	7B3B				REMARKS
1	7D3-24201-00	FUEL TANK COMP.	1				

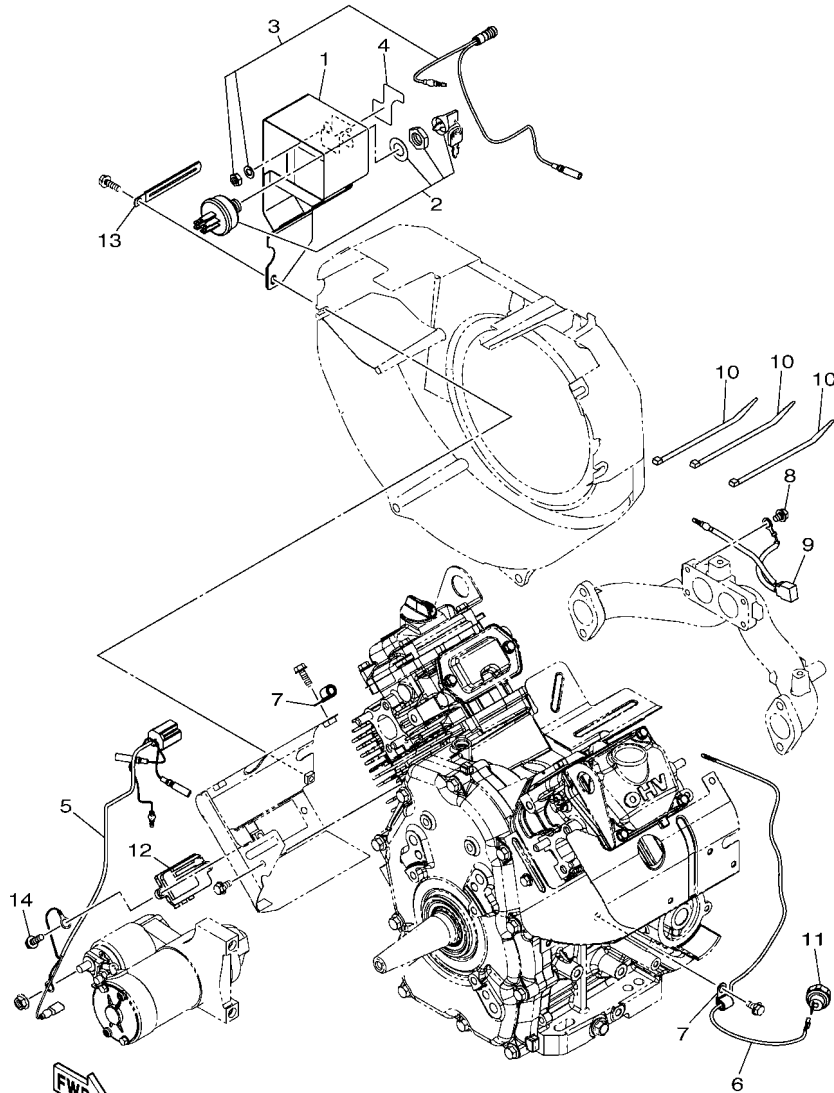


7B3B411-T110

FIG. 12 MAGNETO

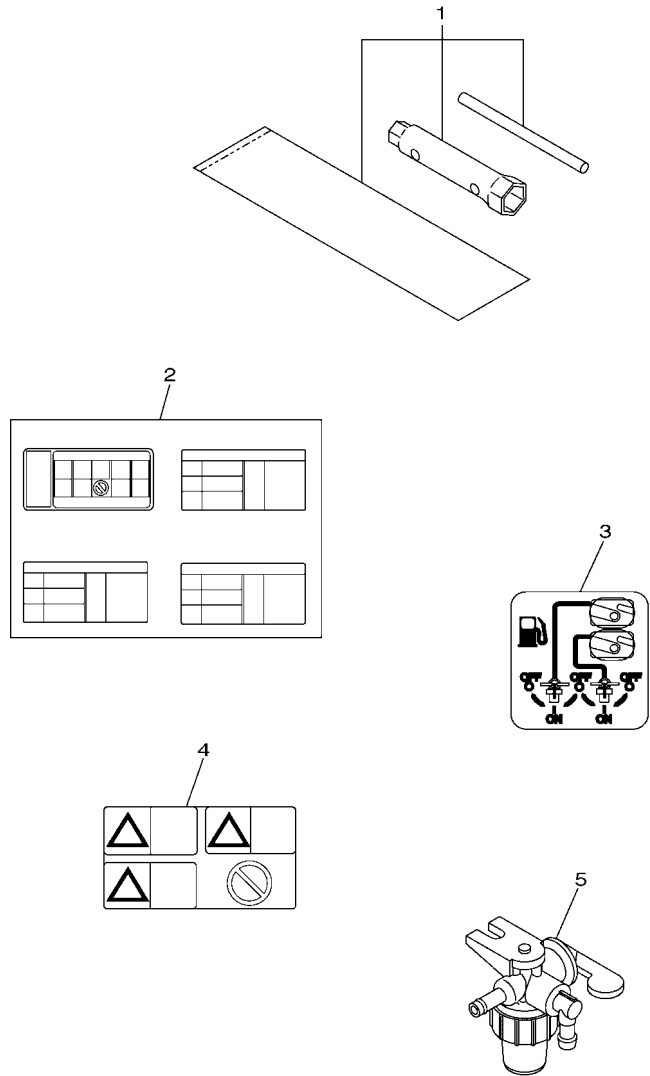
REF. NO.	PART NO.	DESCRIPTION	7B3B				REMARKS
1	7D3-85550-00	ROTOR ASSY	1				
2	7D3-81410-00	STATOR ASSY	1				
3	7D3-81891-00	GEAR, RING	1				
4	7D3-11555-00	NUT, CRANKSHAFT 1	1				
5	7D3-5A405-00	WASHER, PLAIN	1				
6	7D3-11545-00	KEY, WOODRUFF	1				
7	7D3-5159J-00	BOLT, SPECIAL 1	4				
8	7D3-82310-00	IGNITION COIL ASSY	2				
9	7D3-82370-00	PLUG CAP ASSY	2				
10	7D3-81925-00	TERMINAL	2				
11	7B3-81336-00	GROMMET	1				
12	7D3-5236L-10	BOLT, SPECIAL 1	4				
13	7D3-81800-00	STARTING MOTOR ASSY	1				
14	7D3-5A106-00	BOLT, FLANGE	2				
15	7D3-81115-00	WIRE, LEAD	1				

FIG. 13 ELECTRICAL



7B3B411-T120

REF. NO.	PART NO.	DESCRIPTION	7B3B				REMARKS
1	7D3-82568-00	COVER, MAIN SWITCH	1				
2	7D3-82511-00	KEY, MAIN SWITCH	1				
3	7D3-85770-01	OIL PILOT LIGHT ASSY	1				
4	7D3-24156-00	INDICATOR, STARTER LEVER	1				
5	7D3-82105-00	WIRE HARNESS	1				
6	7D3-82117-00	WIRE, LEAD	1				
7	7D3-81128-00	CLAMP	2				
8	7D3-5A134-00	BOLT, FLANGE M6-1.0X8	1				
9	7B3-81215-00	WIRE, LEAD 1	1				
10	7D3-81328-00	CLAMP	3				
11	7D3-82504-00	OIL PRESSURE SWITCH ASSY	1				
12	7D3-81960-00	RECTIFIER & REGULATOR ASSY	1				
13	7D3-81528-00	CLAMP 1	1				
14	7D3-5A102-00	BOLT, FLANGE	2				



7B3B300-T140

FIG. 14 BODY FITTING

REF. NO.	PART NO.	DESCRIPTION	7B3B				REMARKS
1	7D3-28100-00	TOOL KIT	1				
2	7B3-24162-00	EMBLEM 2	1				
3	7D5-241A1-00	EMBLEM, 5	1				
4	7B3-24877-00	LABEL, CAUTION	1				
5	7B3-24500-01	FUEL COCK ASSY 1	1				
<hr/>							
<hr/>							
<hr/>							
<hr/>							
<hr/>							
<hr/>							
<hr/>							
<hr/>							
<hr/>							
<hr/>							

NUMERICAL INDEX

PART NO.	REF. NO.	PART NO.	REF. NO.	PART NO.	REF. NO.	PART NO.	REF. NO.	PART NO.	REF. NO.	PART NO.	REF. NO.
7B3-11110-00	1 - 1	7D3-11933-00	3 - 17	7B3-13971-00	7 - 22	7D3-15351-00	10 - 14	7D3-5A100-00	1 - 15	7D3-82568-00	13 - 1
7D3-11119-00	1 - 14	7D3-11972-00	3 - 1	7D3-13972-00	7 - 26	7D3-15361-00	10 - 16		6 - 16	7D3-85550-00	12 - 1
7B3-11120-00	1 - 4	7B3-11979-00	3 - 11	7B3-14101-01	8 - 1	7D3-1536A-00	1 - 23	7D3-5A102-00	5 - 3	7D3-85770-01	13 - 3
7B3-11166-00	1 - 21	7D3-12111-00	4 - 2	7B3-1410H-00	8 - 9	7D3-15374-00	1 - 18		13 - 14	90520-05029	7 - 8
7D3-11179-00	1 - 2	7D3-12116-00	4 - 6	7D3-14137-00	7 - 21	7D3-15410-10	10 - 9	7D3-5A102-20	5 - 4		
	1 - 5	7D3-12117-00	4 - 7		7 - 23	7D3-15423-00	1 - 16	7D3-5A106-00	12 - 14		
7B3-11181-00	1 - 7	7D3-12118-00	4 - 8		7 - 27	7D3-15451-00	10 - 12	7D3-5A112-00	10 - 13		
7B3-11182-00	1 - 8	7D3-12119-00	1 - 3	7B3-14147-00	8 - 12	7D3-15541-00	10 - 4	7D3-5A116-00	1 - 9		
7D3-11191-00	1 - 11		1 - 6	7B3-14150-00	8 - 15	7B3-15693-00	10 - 10	7D3-5A122-00	3 - 36		
7D3-11192-00	1 - 12	7D3-12121-00	4 - 3	7B3-14163-00	8 - 2	7D3-15693-00	10 - 2	7D3-5A134-00	9 - 5		
7D3-11198-00	10 - 15	7D3-12151-00	4 - 9	7B3-1416A-00	8 - 4	7D3-16173-00	4 - 5		13 - 8		
7D3-1119C-00	1 - 10	7D3-12153-00	4 - 4	7B3-14184-00	8 - 11	7D3-17051-00	6 - 12	7D3-5A140-00	3 - 27		
7D3-11355-00	1 - 13	7D3-12154-00	4 - 10	7B3-14185-00	8 - 14	7D3-17499-00	6 - 5		5 - 13		
7D3-11387-00	1 - 22	7D3-12155-00	4 - 12	7B3-14186-00	8 - 16	7B3-17848-00	6 - 14		7 - 16		
7D3-11420-00	2 - 1	7D3-12157-00	4 - 13	7D3-14191-00	8 - 7	7B3-18615-00	3 - 21		7 - 18		
7D3-11426-00	3 - 5	7D3-12158-00	4 - 14	7B3-14198-00	8 - 3	7D3-22977-00	6 - 11	7D3-5A142-00	1 - 19		
7D3-11486-00	2 - 7	7D3-12165-00	4 - 11	7B3-14199-00	8 - 17	7D3-24156-00	13 - 4		5 - 2		
7D3-11545-00	12 - 6	7B3-12181-00	4 - 1	7D3-14201-00	3 - 30	7B3-24162-00	14 - 2		6 - 7		
7D3-11555-00	12 - 4	7D3-1243E-00	7 - 20	7D3-14223-00	8 - 8	7D3-24162-00	5 - 11		9 - 4		
7D3-11561-00	2 - 10	7D5-12611-00	5 - 6	7B3-14293-00	8 - 18	7D5-241A1-00	14 - 3	7D3-5A201-00	3 - 37		
7D3-11561-10	2 - 10	7D5-1261J-00	5 - 9	7D3-1431C-00	10 - 8	7D3-24201-00	11 - 1	7D3-5A329-00	7 - 29		
7D3-11561-20	2 - 10	7D3-12620-00	5 - 12	7B3-14398-00	8 - 10	JX4-24410-01	7 - 17	7D3-5A332-00	7 - 5		
7D3-11588-00	3 - 22	7B3-12621-10	5 - 1	7D3-14412-01	7 - 9	7D3-24426-00	7 - 19		9 - 6		
7D5-11588-00	5 - 5	7B3-12629-00	7 - 11	7B3-14416-00	7 - 15	7B3-24500-01	14 - 5	7D3-5A357-00	3 - 24		
7B3-11611-00	2 - 3	7B3-12650-00	5 - 14	7B3-14429-00	8 - 13	7D3-24502-00	7 - 24	7D3-5A400-00	3 - 15		
7B3-11611-10	2 - 3	7B3-12653-00	5 - 15	7D3-14451-00	7 - 6	7B3-24877-00	14 - 4	7D3-5A402-00	3 - 14		
7B3-11611-20	2 - 3	7D3-12654-00	5 - 16	7B3-14453-00	7 - 12	4NX-25335-00	7 - 25	7D3-5A403-00	3 - 28		
7B3-11612-00	2 - 4	7D5-12681-00	5 - 8	7B3-14472-10	7 - 7	7D3-28100-00	14 - 1	7D3-5A405-00	12 - 5		
7B3-11612-10	2 - 4	7D3-13016-00	6 - 6	7D3-14485-00	10 - 5	7D3-41240-00	3 - 16	7D3-5A433-00	3 - 6		
7B3-11612-20	2 - 4	7B3-1316F-00	6 - 18	7D3-14531-00	8 - 21	7B3-41256-00	3 - 32	7B3-5AB00-00	6 - 20		
7B3-11614-00	2 - 5	7B3-1316G-00	6 - 19	7B3-14565-00	8 - 19	7B3-41270-20	3 - 12	7D3-81115-00	12 - 15		
7B3-11614-10	2 - 5	7D3-13310-00	6 - 1	7D3-14613-00	9 - 8	7D3-41271-00	3 - 33	7D3-81128-00	7 - 30		
7B3-11614-20	2 - 5	7D3-13316-00	6 - 4	7D3-14711-00	9 - 1	7D3-41297-00	3 - 13		13 - 7		
7B3-11631-00	2 - 2	7D3-13411-00	6 - 2	7D3-14718-00	9 - 7	7D3-42823-00	3 - 34	7B3-81215-00	13 - 9		
7D3-11633-00	2 - 6	7D3-13440-00	6 - 8	7D3-1471K-00	9 - 2	7D3-43372-00	7 - 10	7D3-81328-00	13 - 10		
7B3-11635-00	2 - 2	7D3-13455-00	6 - 9	7D5-1477A-00	9 - 11	7D3-43619-00	3 - 35	7B3-81336-00	12 - 11		
7B3-11636-00	2 - 2	7B3-13470-00	6 - 13	7D3-1477K-00	9 - 10	7D3-5159J-00	12 - 7	7D3-81410-00	12 - 2		
7D3-11650-00	2 - 8	7B3-13473-00	6 - 15	7D3-14786-00	9 - 9	7D3-5236L-00	5 - 7	7D3-81528-00	13 - 13		
7D3-11654-00	2 - 9	7D3-13475-00	6 - 10	7B3-14922-00	8 - 20	7D3-5236L-10	12 - 12	7D3-81800-00	12 - 13		
7D3-11834-00	3 - 29	7D3-13516-00	1 - 20	7B3-1492E-66	8 - 5	7D3-5236L-20	3 - 25	7D3-81891-00	12 - 3		
	3 - 31	7B3-13558-00	7 - 3	7B3-1492E-6G	8 - 6	7D3-5236P-00	9 - 3	7D3-81925-00	12 - 10		
7D3-11913-00	3 - 2	7D3-13566-00	7 - 4	7B3-15111-00	10 - 1	7D3-5238M-00	5 - 10	7D3-81960-00	13 - 12		
7D3-11914-00	3 - 3	7B3-13587-00	7 - 13	7D3-15114-00	1 - 24	7D3-5241F-00	3 - 23	7D3-82105-00	13 - 5		
7D3-11917-00	3 - 4	7D3-13610-00	1 - 17	7D3-1511A-00	10 - 7	7D3-54142-00	3 - 18	7D3-82117-00	13 - 6		
7D3-11922-10	3 - 8	7B3-13630-00	7 - 2	7D3-1511B-00	10 - 11	7D3-54143-00	3 - 20	7D3-82310-00	12 - 8		
7D3-11924-00	3 - 7	7B3-13645-00	7 - 1	7D3-15167-00	10 - 6	7D3-54542-00	3 - 19	7D3-82370-00	12 - 9		
7B3-11925-10	3 - 9	7B3-13646-00	7 - 14	7D3-15181-00	10 - 3	7D3-54545-00	3 - 26	7D3-82504-00	13 - 11		
7B3-11928-00	3 - 10	7B3-1371L-00	6 - 17	7D3-1531A-00	7 - 28	7D3-54547-00	6 - 3	7D3-82511-00	13 - 2		