

PARTS CATALOGUE

MX200A2E (7DB1) CSA, EUR, SEA



1S7DB-300EA

()

MX200A2E
PARTS CATALOGUE
©2018 by Yamaha Motor Co., Ltd.
1st edition, January 2018
All rights reserved.
Any reprinting or unauthorized use
without the written permission of
Yamaha Motor Co., Ltd.
is expressly prohibited.
Printed in Japan.

FOREWORD

This Parts Catalogue is related to the parts for the model(s) on the cover page. When you are ordering replacement parts, please refer to this Parts Catalogue and quote both part numbers and part names correctly.

1. Modifications or additions which have been made after the issue of the Parts Catalogue will be announced in the Parts News.
It is advisable that you make the necessary corrections to the Parts Catalogue according to the Parts News.

2. Abbreviations

The following abbreviations are used in this Parts Catalogue.

“UR” Use specified parts number.

“UN” Use as many as needed.

“AP” Alternate Parts

“LM” Locally Made (Parts need to be ordered locally)

“F#” Frame No. (Applicable machine No.)

“O/S” Over Size

3. The number of components for assembly

- Parts, which are to be supplied in an assembly, are listed with a dot (.) in front of the part name as shown below.
- The numeral appearing to the right of each component part indicates the quantity of parts for each assembly unit.

PART NO.	DESCRIPTION	Q'TY	REMARKS
2F5-83310-60	FRONT FLASHER LIGHT ASSY	2	
115-83311-60	.BULB (6V-18W)	1	

4. Applicable colours of graphics are represented in the “REMARKS” as shown below.

PART NO.	DESCRIPTION	Q'TY	REMARKS
2N4-24110-00-X5	FUEL TANK COMP.	2	MXR
3J1-24240-10	.GRAPHIC, FUEL TANK	1	FOR MXR

5. Note that the illustrations for reference in finding parts numbers are not to be used for assembling. When assembling, please use the applicable service manual.

6. The asterisk (*) before a reference number indicates modified items after the first edition.

FOREWORD

Engine Serial No.

This parts catalogue is related to the parts for the models in the list below.

MODEL CODE	MODEL NAME	SPECIFICATION (OUT LINE)	ENGINE SERIAL NO.
7DB1	MX200A2E	P.T.O. SHAFT A TYPE, MOUNT FACE (UNF)	7DB1-2000101

CONTENTS

CYLINDER.....	1
CRANKSHAFT.....	2
CRANKSHAFT & PISTON.....	3
GOVERNOR.....	4
CAMSHAFT & VALVE.....	5
AIR SHROUD & STARTER.....	6
INTAKE.....	7
CARBURETOR.....	8
EXHAUST.....	9
CRANKCASE.....	10
FUEL TANK.....	11
TCI MAGNETO.....	12
ELECTRICAL.....	13
EMBLEM & LABEL.....	14

INDEX

NUMERICAL INDEX.....	15
----------------------	----

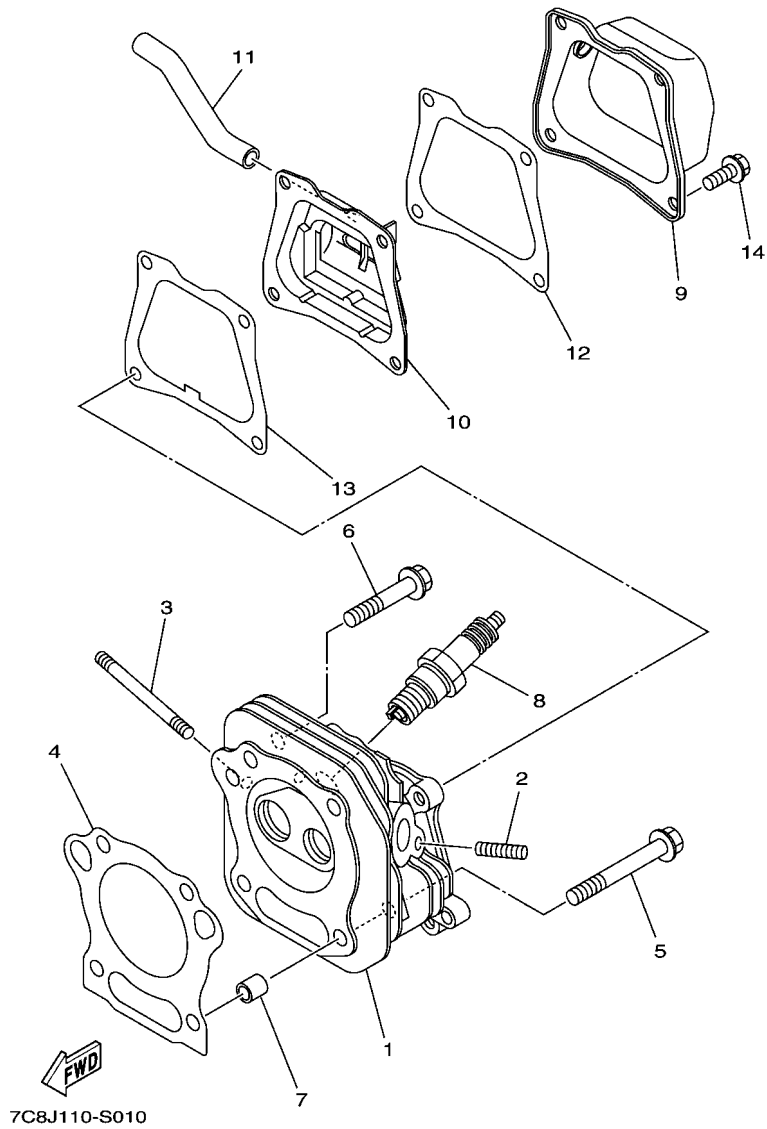
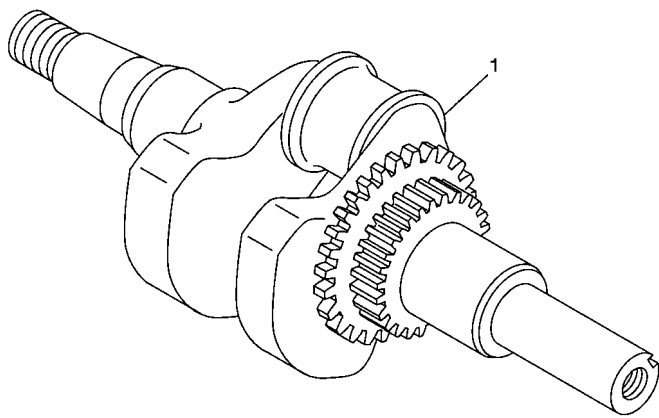
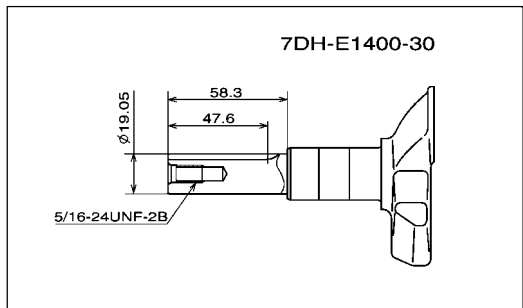


FIG. 1 CYLINDER

REF. NO.	PART NO.	DESCRIPTION	7DB1				REMARKS
1	7DB-E1111-00	HEAD, CYLINDER 1	1				
2	95622-08618	BOLT, STUD	2				
3	95622-06700	BOLT, STUD	2				
4	7DH-E1181-01	GASKET, CYLINDER HEAD 1	1				
5	95822-08065	BOLT, FLANGE	2				
6	95822-08045	BOLT, FLANGE	2				
7	99530-10114	PIN, DOWEL	2				
8	94702-00819	PLUG, SPARK (NGK BPR4ES)	1				
9	7CN-E1191-00	COVER, CYLINDER HEAD 1	1				
10	7CN-E1160-00	BREATHER ASSY	1				
11	90445-13812	HOSE	1				
12	7CN-E1169-02	GASKET, BREATHER COVER	1				
13	7CN-E1193-00	GASKET, HEAD COVER 1	1				
14	95822-06012	BOLT, FLANGE	4				

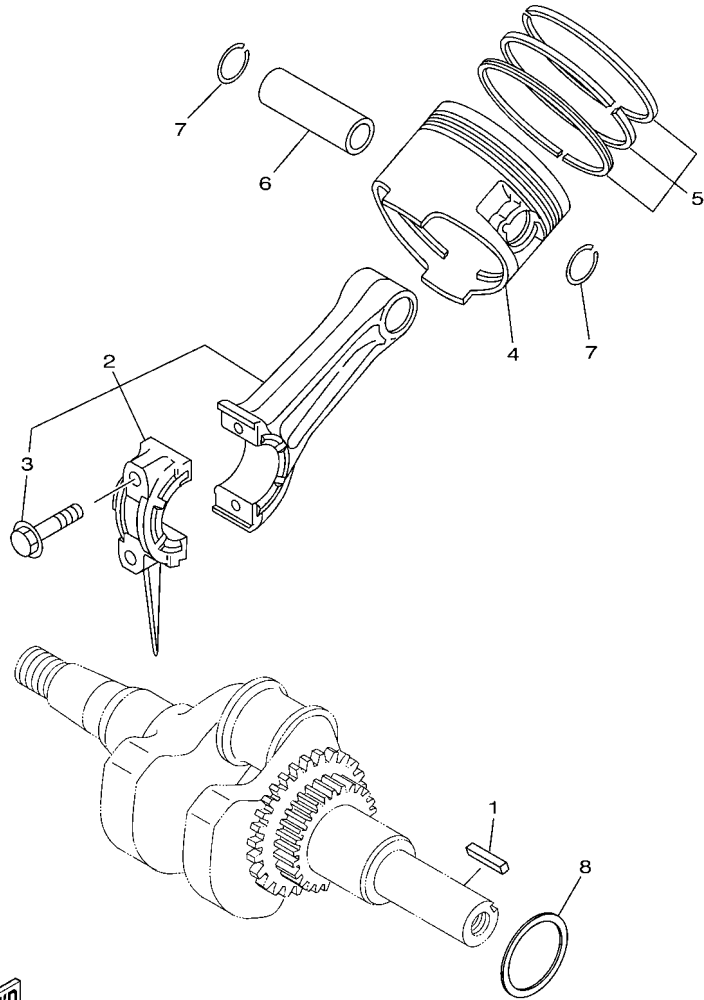
FIG. 2 CRANKSHAFT

REF. NO.	PART NO.	DESCRIPTION	7DB1				REMARKS
1	7DH-E1400-30	CRANKSHAFT ASSY	1				



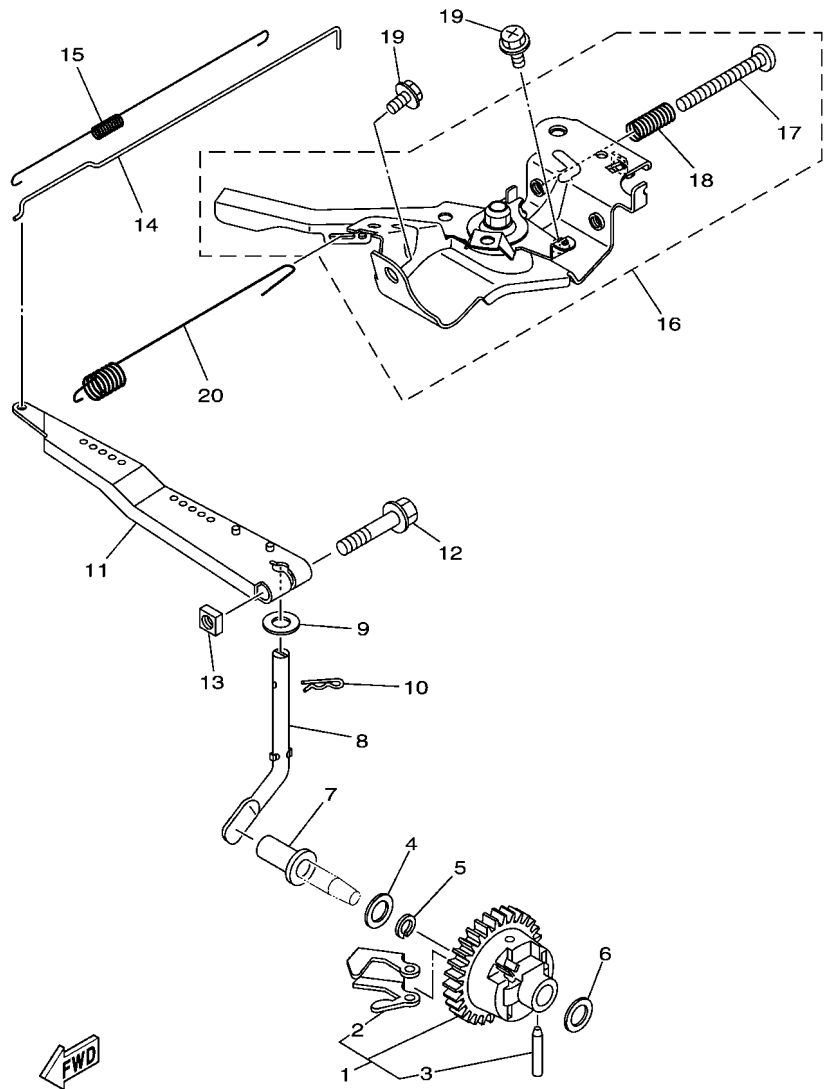

7DHJ400-K020

FIG. 3 CRANKSHAFT & PISTON




7CN1200-C030

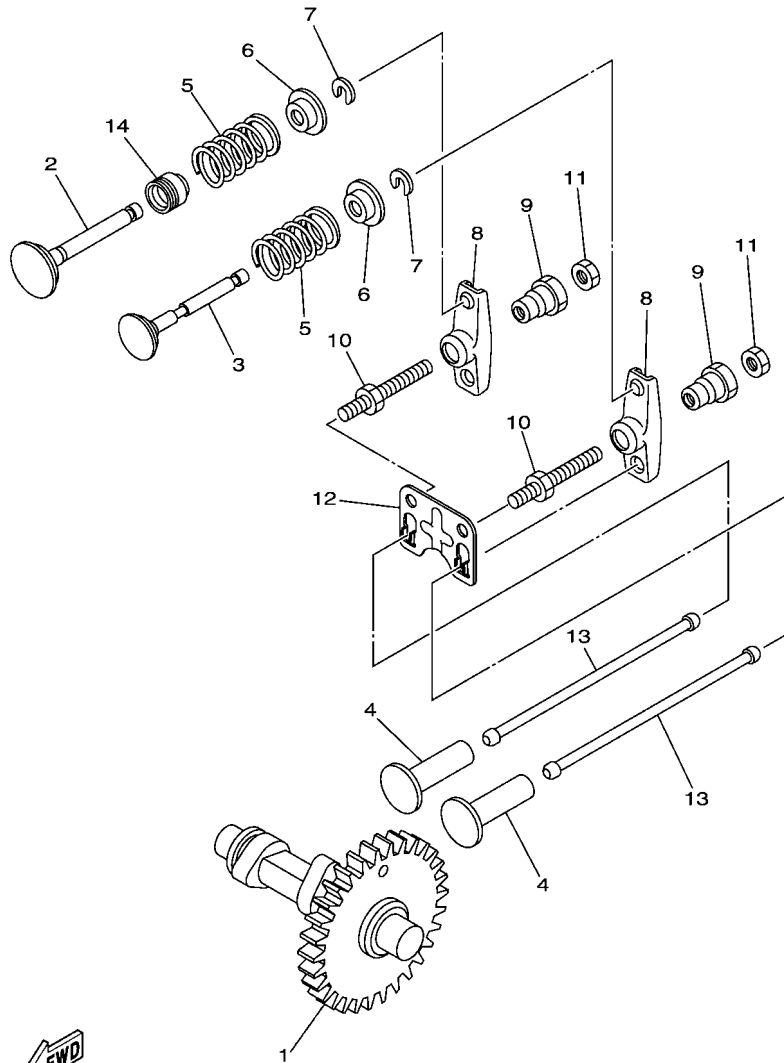
REF. NO.	PART NO.	DESCRIPTION	7DB1				REMARKS
1	90282-05035	KEY, STRAIGHT (4.7MMX35MM)	1				
2	7CN-E1650-11	CONNECTING ROD ASSY	1				
3	7CN-E1654-00	.BOLT, CONNECTING ROD	2				
4	7DH-E1631-10-A0	PISTON (STD)	1				
	7DH-E1635-00	PISTON (0.25MM O/S)	1				AP
	7DH-E1636-00	PISTON (0.50MM O/S)	1				AP
5	7D9-E1610-00	PISTON RING SET (STD)	1				
	7D9-E1610-10	PISTON RING SET (0.25MM O/S)	1				AP
	7D9-E1610-20	PISTON RING SET (0.50MM O/S)	1				AP
6	7CN-E1633-00	PIN, PISTON	1				
7	93450-17828	CIRCLIP	2				
8	7CN-E1561-00	SHIM, CRANK 1 (T=0.1)	1				




 7C8J110-S040

FIG. 4 GOVERNOR

REF. NO.	PART NO.	DESCRIPTION	7DB1				REMARKS
1	7CN-E1970-10	FLYWEIGHT SHAFT ASSY	1				
2	7CN-E1913-00	.WEIGHT	2				
3	7CT-E1914-00	.SHAFT, WEIGHT	2				
4	90201-06842	WASHER, PLATE	1				
5	93440-06826	CIRCLIP	1				
6	90201-06842	WASHER, PLATE	1				
7	7CN-E1917-00	COLLAR	1				
8	7CN-E1922-00	FORK, GOVERNOR	1				
9	92902-06200	WASHER	1				
10	90468-18800	CLIP	1				
11	7DB-E1924-00	ARM, GOVERNOR	1				
12	97522-06530	BOLT, WITH WASHER	1				
13	90173-06802	NUT, SQUARE	1				
14	7DB-E1928-00	ROD, LINK	1				
15	90506-04803	SPRING, TENSION	1				
16	7DB-G1240-10	THROTTLE LEVER COMP.	1				
17	98502-05545	.SCREW, PAN HEAD	1				
18	90501-090A8	.SPRING, COMPRESSION	1				
19	95822-06012	BOLT, FLANGE	2				
20	7DB-E1925-00	SPRING, GOVERNOR	1				

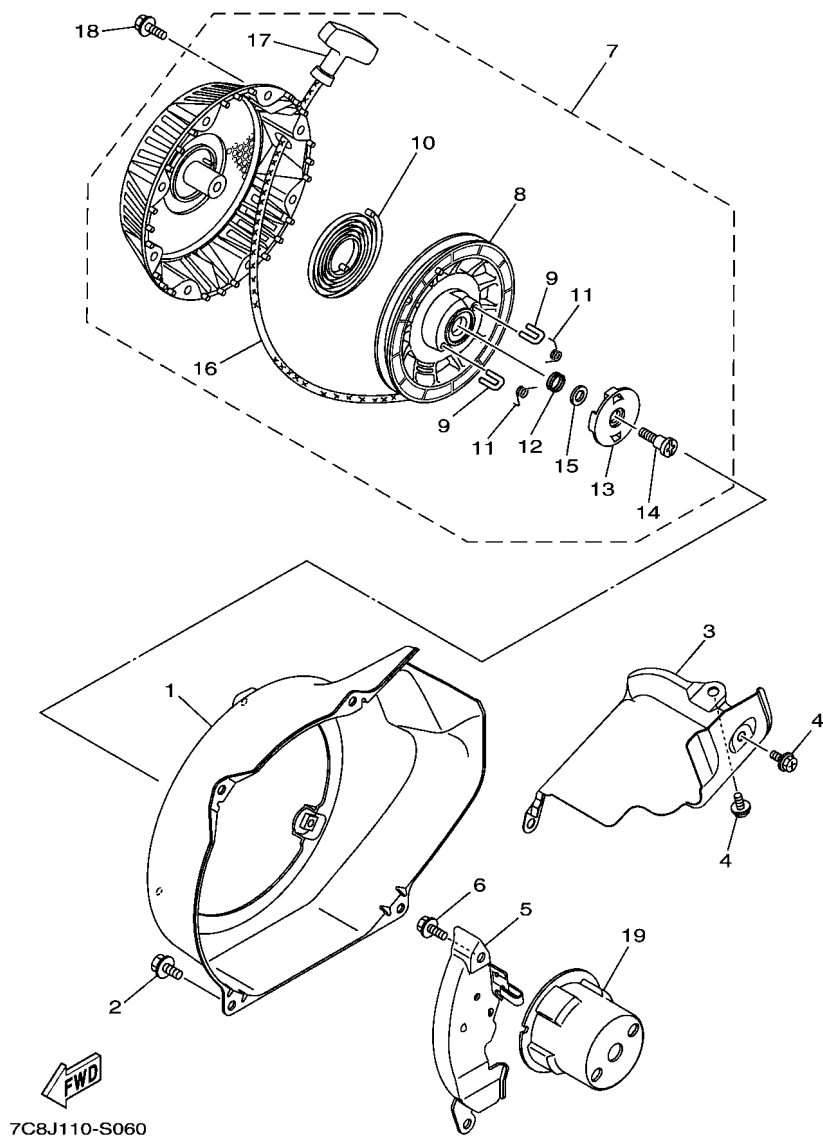



 7C8J110-S050

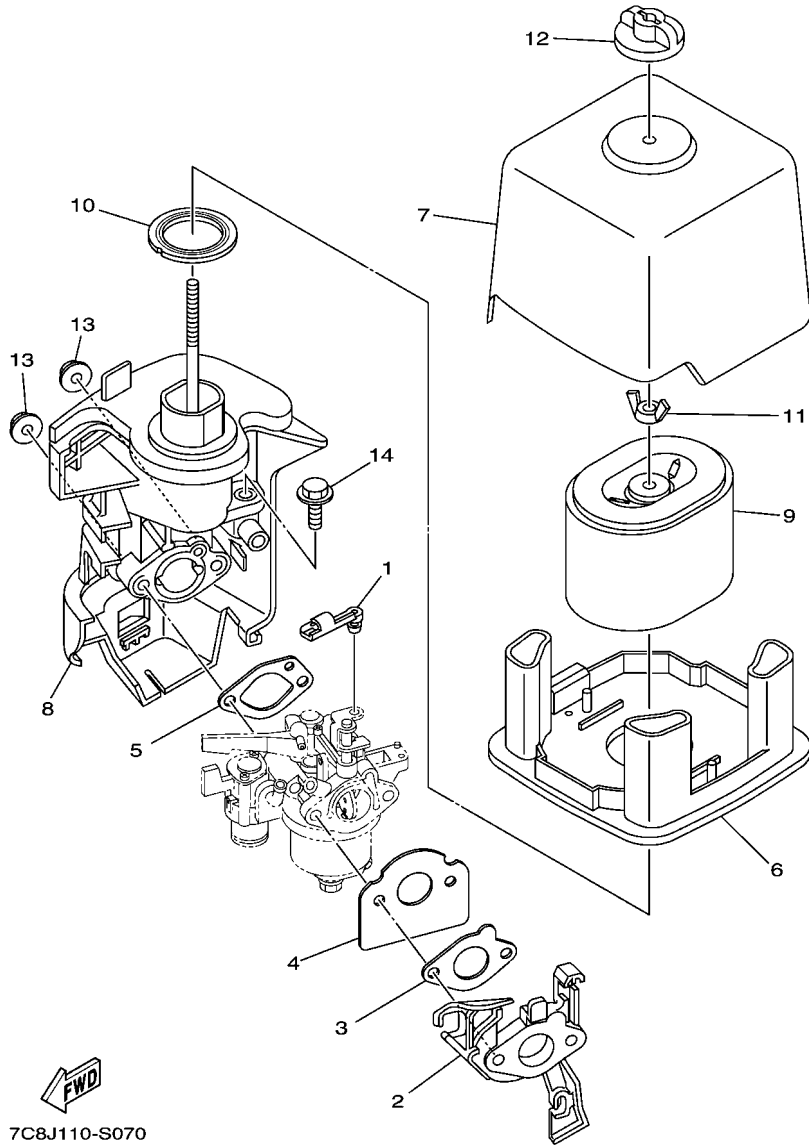
FIG. 5 CAMSHAFT & VALVE

REF. NO.	PART NO.	DESCRIPTION	7DB1				REMARKS
1	7CN-E2180-00	CAMSHAFT ASSY 2	1				
2	7DH-E2111-10	VALVE, INTAKE	1				
3	7CN-E2121-00	VALVE, EXHAUST	1				
4	7CN-E2153-00	LIFTER, VALVE	2				
5	90501-20800	SPRING, COMPRESSION	2				
6	7CN-E2117-00	RETAINER, VALVE SPRING	2				
7	7CN-E2118-00	LOCK, VALVE SPRING RETAINER	2				
8	7CN-E2151-00	ARM, VALVE ROCKER	2				
9	7CN-E2165-00	PIVOT, ROCKER ARM	2				
10	7CN-E2157-01	BOLT	2				
11	7CN-E2158-01	NUT, LOCK	2				
12	7DB-E2155-00	GUIDE, PUSH ROD	1				
13	7CN-E2154-00	ROD, VALVE PUSH	2				
14	7DH-E2119-01	SEAL, VALVE STEM	1				

FIG. 6 AIR SHROUD & STARTER



REF. NO.	PART NO.	DESCRIPTION	7DB1				REMARKS
1	7DB-E2621-00	CASE, FAN	1				
2	95802-06012	BOLT, FLANGE	4				
3	7DB-E2651-00	AIR SHROUD, CYLINDER 1	1				
4	95802-06010	BOLT, FLANGE	2				
5	7DB-E262E-00	SHROUD, 2	1				
6	95802-06012	BOLT, FLANGE	1				
7	7DB-E5710-00	STARTER ASSY	1				
8	7DB-E5714-00	.DRUM, SHEAVE	1				
9	7DB-E5741-00	.PAWL, DRIVE	2				
10	7DB-E5713-00	.SPRING, STARTER	1				
11	7DB-E5715-00	.SPRING, FRICTION	2				
12	7DB-E5743-00	.SPRING, RETURN	1				
13	7DB-E5716-00	.PLATE, DRIVE	1				
14	7HC-E5793-00	.SCREW	1				
15	7DB-E5719-00	.WASHER, THRUST	1				
16	7CN-E5751-00	.WIRE, STARTER	1				
17	7CN-E5755-00	.HANDLE, STARTER	1				
18	90105-068C0	BOLT, FLANGE	3				
19	7DB-E5723-00	PULLEY, STARTER	1				

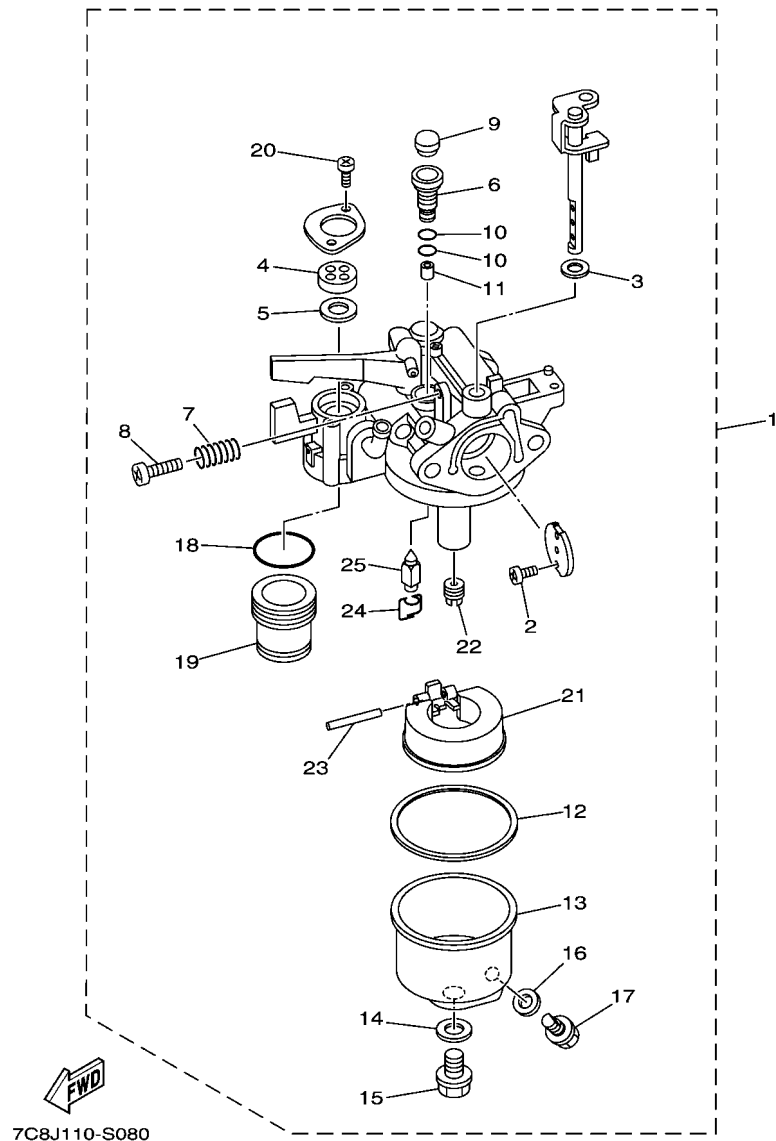


7C8J110-S070

FIG. 7 INTAKE

REF. NO.	PART NO.	DESCRIPTION	7DB1				REMARKS
1	7UC-G384A-00	BOSS, ROD END	1				
2	7DB-E3596-00	JOINT, CARBURETOR 2	1				
3	7CN-E3557-12	GASKET	1				
4	7DB-E3557-00	GASKET	1				
5	7CN-E3567-12	GASKET	1				
6	7DB-E4411-00	CASE, AIR CLEANER 1	1				
7	7DB-E4412-00	CAP, CLEANER CASE 1	1				
8	7DB-E4430-00	DUCT ASSY	1				
9	7DB-E4450-01	ELEMENT ASSY, AIR CLEANER	1				
10	90430-33801	GASKET	1				
11	90175-06809	NUT, WING	1				
12	7DB-E4439-00	NUT	1				
13	95702-06500	NUT, FLANGE	2				
14	95802-06016	BOLT, FLANGE	1				

FIG. 8 CARBURETOR



REF. NO.	PART NO.	DESCRIPTION	7DB1				REMARKS
1	7DB-E4301-00	CARBURETOR ASSY 1	1				
2	7BX-E4216-00	.SCREW	2				
3	7HC-E4239-00	.SEAL	1				
4	7DB-E4199-00	.GASKET	1				
5	7DB-E4366-00	.WASHER, WAVE	1				
6	7DB-E4942-00	.JET, PILOT	1				
7	7DB-E4212-00	.SPRING, PILOT ADJUSTING	1				
8	7HC-E4922-00	.SCREW, THROTTLE	1				
9	7DB-E4293-00	.COVER 1	1				
10	7DB-E416A-00	.O-RING	2				
11	7DB-E4A42-20	.JET, PILOT	1				
12	7DB-E4184-00	.GASKET, FLOAT CHAMBER	1				
13	7DB-E4A81-00	.BODY, FLOAT CHAMBER 1	1				
14	7HC-E4227-00	.WASHER	1				
15	7HC-E4162-00	.BOLT, HOLDING	1				
16	7DB-E4198-00	.GASKET	1				
17	7DB-E4191-00	.PLUG, DRAIN	1				
18	7DB-E4147-00	.O-RING	1				
19	7DB-E4689-00	.CUP	1				
20	7BX-E4216-00	.SCREW	2				
21	7DB-E4185-00	.FLOAT	1				
22	7DB-E4A43-77	.JET, MAIN	1				
23	7DB-E4186-00	.PIN, FLOAT	1				
24	7DB-E4159-00	.CLIP	1				
25	7DB-E4150-00	.NEEDLE ASSY	1				

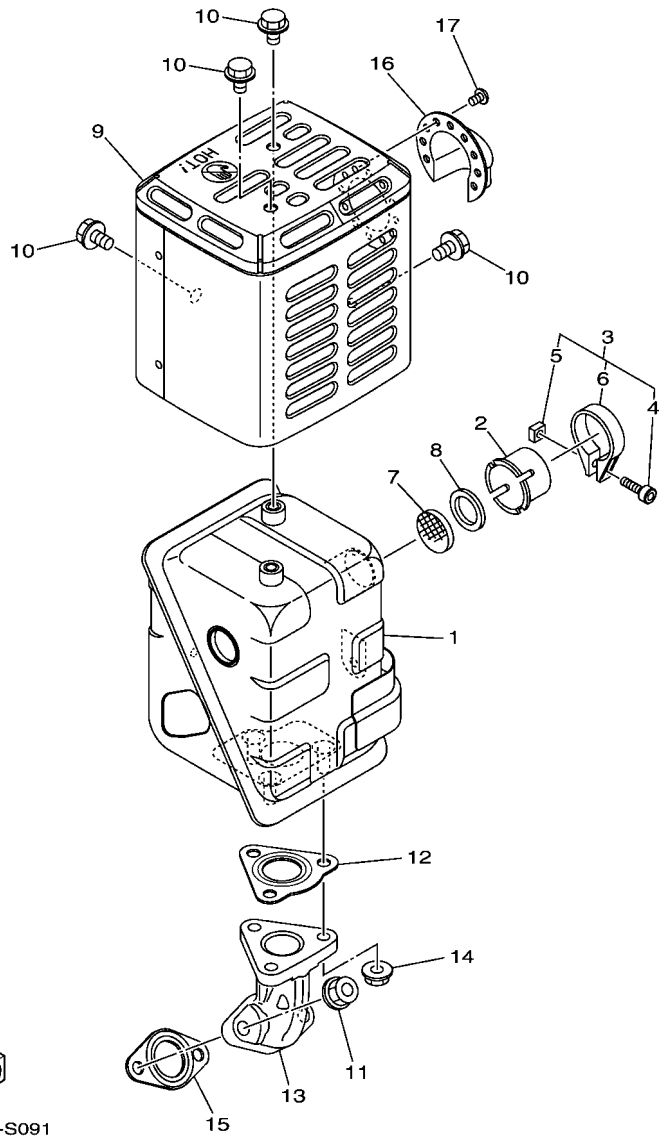
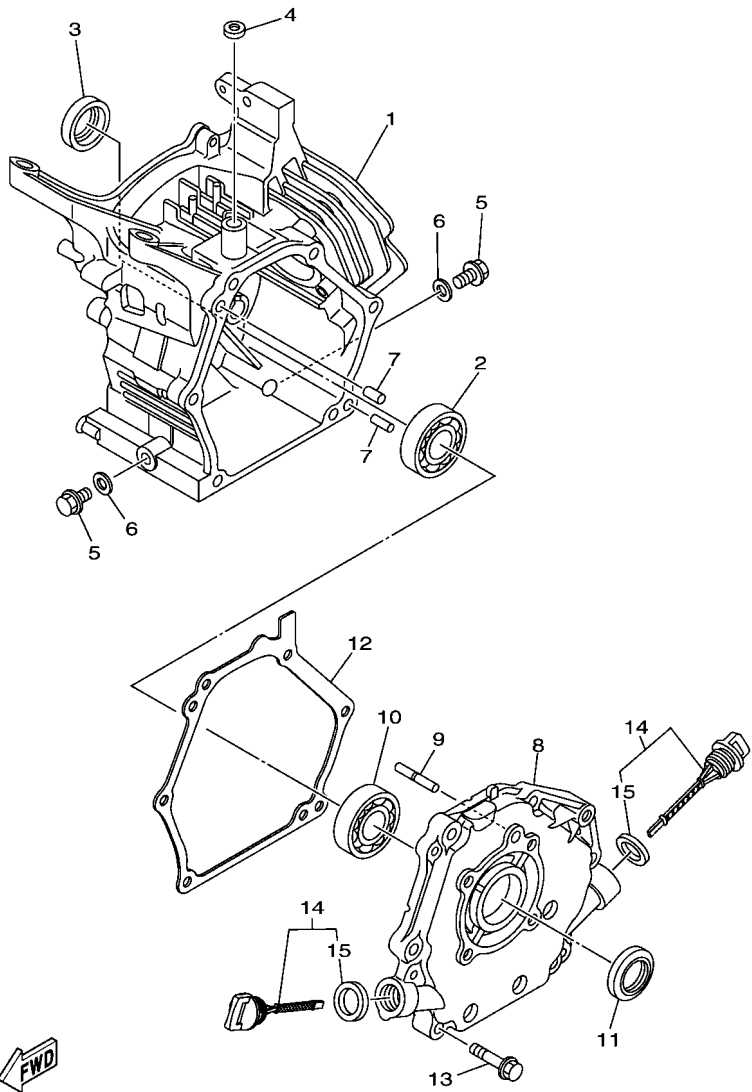


FIG. 9 EXHAUST

REF. NO.	PART NO.	DESCRIPTION	7DB1				REMARKS
1	7DB-E4711-10	MUFFLER 1	1				
2	7CA-E4799-00	CAP	1				
3	7DX-E4788-00	BAND, SILENCER	1				
4	7DX-E4777-00	.BOLT	1				
5	7DX-E4775-00	.NUT	1				
6	7DX-E477R-00	.BAND 1	1				
7	7CA-E479E-00	NET, WIRE 2	1				
8	90201-17802	WASHER, PLATE	1				
9	7DB-E4708-00	PROTECTOR ASSY	1				
10	95822-06008	BOLT, FLANGE	4				
11	95702-08500	NUT, FLANGE	2				
12	7DB-E4623-00	GASKET, EXHAUST PIPE	1				
13	7DB-E4611-00	PIPE, EXHAUST 1	1				
14	95704-06500	NUT, FLANGE	3				
15	7DB-E4613-00	GASKET, EXHAUST PIPE	1				
16	7DB-E4785-00	DIFFUSER	1				
17	98502-04006	SCREW, PAN HEAD	3				

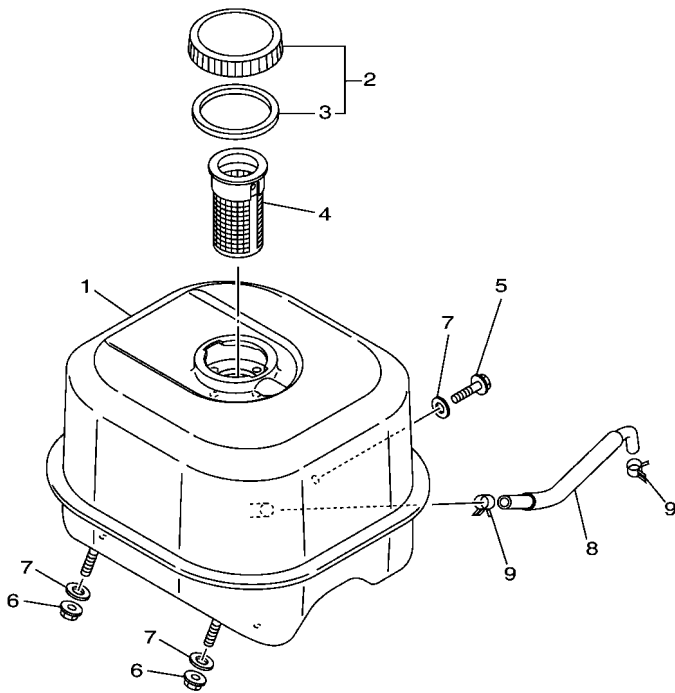


7C8J110-S100

FIG. 10 CRANKCASE

REF. NO.	PART NO.	DESCRIPTION	7DB1				REMARKS
1	7DB-E5121-00	CRANKCASE 2	1				
2	93306-206Y5	BEARING	1				
3	93102-25806	OIL SEAL	1				
4	93104-06800	OIL SEAL	1				
5	95022-10016	BOLT, FLANGE	2				
6	90430-10801	GASKET	2				
7	99530-08016	PIN, DOWEL	2				
8	7DB-E5411-00	COVER, CRANKCASE 1	1				
9	7CN-E1971-00	SHAFT, FLYWEIGHT	1				
10	93306-255Y3	BEARING	1				
11	93102-25805	OIL SEAL	1				
12	7CN-E5451-10	GASKET, CRANKCASE COVER 1	1				
13	95822-08035	BOLT, FLANGE	6				
14	7BX-E536A-00	PLUG, OIL LEVEL	2				
15	90430-17801	.GASKET	1				

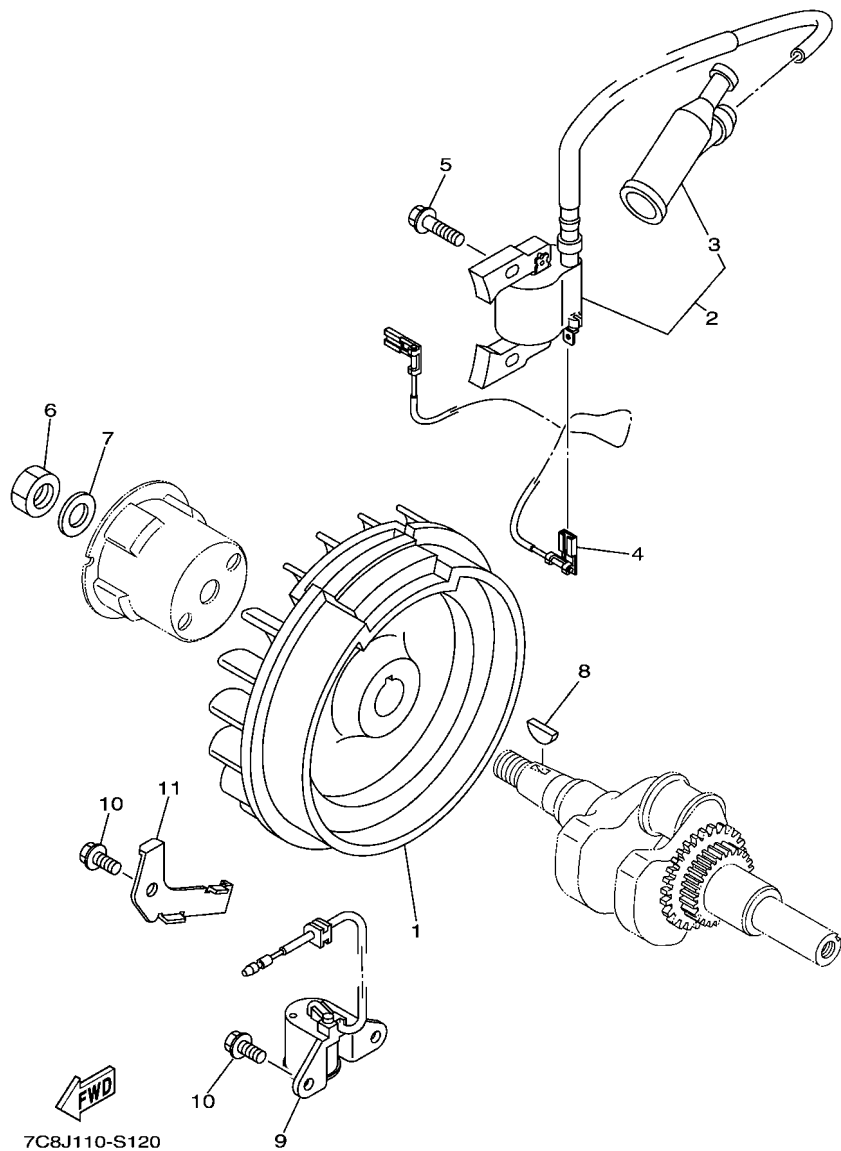
FIG. 11 FUEL TANK



REF. NO.	PART NO.	DESCRIPTION	7DB1				REMARKS
1	7DB-F4110-11	FUEL TANK COMP.	1				
2	7CN-F4610-01	CAP ASSY	1				
3	7CN-F4612-01	.PACKING, CAP	1				
4	7CN-F4167-00	STRAINER	1				
5	95812-06025	BOLT, FLANGE	1				
6	95702-06500	NUT, FLANGE	2				
7	90201-06842	WASHER, PLATE	3				
8	7DB-F4311-10	PIPE, FUEL 1	1				
9	90467-09806	CLIP	2				


7C82400-S120

FIG. 12 TCI MAGNETO



REF. NO.	PART NO.	DESCRIPTION	7DB1				REMARKS
1	7CN-H5650-00	ROTOR ASSY	1				
2	7DB-H2300-00	IGN. ASSY	1				
3	7DB-H2370-00	.PLUG CAP ASSY	1				
4	7DB-H2318-00	WIRE, SUB-LEAD	1				
5	95822-06020	BOLT, FLANGE	2				
6	90170-14800	NUT	1				
7	92902-14200	WASHER	1				
8	90280-04801	KEY, WOODRUFF	1				
9	7CN-H5720-00	OIL LEVEL GAUGE ASSY	1				
10	95822-06012	BOLT, FLANGE	3				
11	7CN-H5724-00	CLAMP	1				

NUMERICAL INDEX

PART NO.	REF. NO.	PART NO.	REF. NO.	PART NO.	REF. NO.	PART NO.	REF. NO.	PART NO.	REF. NO.	PART NO.	REF. NO.
7DB-E1111-00	1 - 1	7DB-E4150-00	8 - 25	7DB-E5715-00	6 - 11	92902-06200	4 - 9				
7CN-E1160-00	1 - 10	7DB-E4159-00	8 - 24	7DB-E5716-00	6 - 13	92902-14200	12 - 7				
7CN-E1169-02	1 - 12	7HC-E4162-00	8 - 15	7DB-E5716-00	6 - 15	93102-25805	10 - 11				
7DH-E1181-01	1 - 4	7DB-E416A-00	8 - 10	7DB-E5723-00	6 - 19	93102-25806	10 - 3				
7CN-E1191-00	1 - 9	7DB-E4184-00	8 - 12	7DB-E5741-00	6 - 9	93104-06800	10 - 4				
7CN-E1193-00	1 - 13	7DB-E4185-00	8 - 21	7DB-E5743-00	6 - 12	93306-206Y5	10 - 2				
7DH-E1400-30	2 - 1	7DB-E4186-00	8 - 23	7CN-E5751-00	6 - 16	93306-255Y3	10 - 10				
7CN-E1561-00	3 - 8	7DB-E4191-00	8 - 17	7CN-E5755-00	6 - 17	93440-06826	4 - 5				
7D9-E1610-00	3 - 5	7DB-E4198-00	8 - 16	7HC-E5793-00	6 - 14	93450-17828	3 - 7				
7D9-E1610-10	3 - 5	7DB-E4199-00	8 - 4	7DB-F4110-11	11 - 1	94702-00819	1 - 8				
7D9-E1610-20	3 - 5	7DB-E4212-00	8 - 7	7DB-F4154-00	14 - 1	95022-10016	10 - 5				
7DH-E1631-10-A0	3 - 4	7BX-E4216-00	8 - 2	7DB-F4161-00	14 - 3	95622-06700	1 - 3				
7CN-E1633-00	3 - 6		8 - 20	7CN-F4162-20	14 - 4	95622-08618	1 - 2				
7DH-E1635-00	3 - 4	7HC-E4227-00	8 - 14	7CN-F4167-00	11 - 4	95702-06500	7 - 13				
7DH-E1636-00	3 - 4	7HC-E4239-00	8 - 3	7DB-F4311-10	11 - 8		11 - 6				
7CN-E1650-11	3 - 2	7DB-E4293-00	8 - 9	7CN-F4610-01	11 - 2	95702-08500	9 - 11				
7CN-E1654-00	3 - 3	7DB-E4301-00	8 - 1	7CN-F4612-01	11 - 3	95704-06500	9 - 14				
7CN-E1913-00	4 - 2	7DB-E4366-00	8 - 5	7PB-F817K-00	14 - 5	95802-06008	13 - 5				
7CT-E1914-00	4 - 3	7DB-E4411-00	7 - 6	7DB-G1240-10	4 - 16	95802-06010	6 - 4				
7CN-E1917-00	4 - 7	7DB-E4412-00	7 - 7	7UC-G384A-00	7 - 1	95802-06012	6 - 2				
7CN-E1922-00	4 - 8	7DB-E4430-00	7 - 8	7DB-H2300-00	12 - 2		6 - 6				
7DB-E1924-00	4 - 11	7DB-E4439-00	7 - 12	7DB-H2318-00	12 - 4	95802-06016	7 - 14				
7DB-E1925-00	4 - 20	7DB-E4450-01	7 - 9	7DB-H2319-00	13 - 3	95812-06025	11 - 5				
7DB-E1928-00	4 - 14	7DB-E4611-00	9 - 13	7DB-H2370-00	12 - 3	95822-06008	9 - 10				
7CN-E1970-10	4 - 1	7DB-E4613-00	9 - 15	7PB-H2550-00	13 - 1	95822-06012	1 - 14				
7CN-E1971-00	10 - 9	7DB-E4623-00	9 - 12	7CN-H5650-00	12 - 1		4 - 19				
7DH-E2111-10	5 - 2	7DB-E4689-00	8 - 19	7DB-H5690-00	13 - 4		12 - 10				
7CN-E2117-00	5 - 6	7DB-E4708-00	9 - 9	7CN-H5720-00	12 - 9	95822-06020	12 - 5				
7CN-E2118-00	5 - 7	7DB-E4711-10	9 - 1	7CN-H5724-00	12 - 11	95822-08035	10 - 13				
7DH-E2119-01	5 - 14	7DX-E4775-00	9 - 5	90105-068C0	6 - 18	95822-08045	1 - 6				
7CN-E2121-00	5 - 3	7DX-E4777-00	9 - 4	90170-14800	12 - 6	95822-08065	1 - 5				
7CN-E2151-00	5 - 8	7DX-E477R-00	9 - 6	90173-06802	4 - 13	97522-06530	4 - 12				
7CN-E2153-00	5 - 4	7DB-E4785-00	9 - 16	90175-06809	7 - 11	98502-04006	9 - 17				
7CN-E2154-00	5 - 13	7DX-E4788-00	9 - 3	90201-06842	4 - 4	98502-05008	13 - 2				
7DB-E2155-00	5 - 12	7CA-E4799-00	9 - 2		4 - 6	98502-05545	4 - 17				
7CN-E2157-01	5 - 10	7CA-E479E-00	9 - 7		11 - 7	99530-08016	10 - 7				
7CN-E2158-01	5 - 11	7HC-E4922-00	8 - 8	90201-17802	9 - 8	99530-10114	1 - 7				
7CN-E2165-00	5 - 9	7DB-E4942-00	8 - 6	90280-04801	12 - 8						
7CN-E2180-00	5 - 1	7DB-E4A42-20	8 - 11	90282-05035	3 - 1						
7DB-E2621-00	6 - 1	7DB-E4A43-77	8 - 22	90430-10801	10 - 6						
7DB-E2629-00	14 - 2	7DB-E4A81-00	8 - 13	90430-17801	10 - 15						
7DB-E262E-00	6 - 5	7DB-E5121-00	10 - 1	90430-33801	7 - 10						
7DB-E2651-00	6 - 3	7BX-E536A-00	10 - 14	90445-13812	1 - 11						
7DB-E3557-00	7 - 4	7DB-E5411-00	10 - 8	90467-09806	11 - 9						
7CN-E3557-12	7 - 3	7CN-E5451-10	10 - 12	90468-18800	4 - 10						
7CN-E3567-12	7 - 5	7DB-E5710-00	6 - 7	90501-090A8	4 - 18						
7DB-E3596-00	7 - 2	7DB-E5713-00	6 - 10	90501-20800	5 - 5						
7DB-E4147-00	8 - 18	7DB-E5714-00	6 - 8	90506-04803	4 - 15						