



# PARTS CATALOGUE

YAMAHA MULTI-PURPOSE ENGINE

**MZ300** (7WR1/2/7/B/C,7WS1/B) OTHER

**MZ300R** (7WRF,7WSF) OTHER

**MZ360** (7WT1/3/B/C,7WU1/B/C) OTHER

**MZ360R** (7WTF,7WUF) OTHER

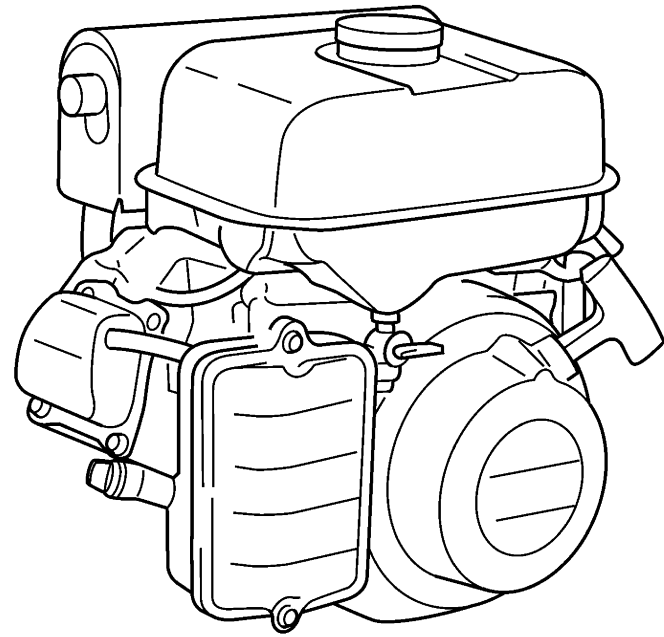
MZ300/MZ300R/MZ360/MZ360R  
PARTS CATALOGUE

©2001 by Yamaha Motor Co., Ltd.  
1st Edition, Jul. 2001

All rights reserved.

Any reprinting or unauthorized use  
without the written permission of  
Yamaha Motor Co., Ltd.  
is expressly prohibited.

Printed in Japan



# FOREWORD

This Parts Catalogue is related to the parts for the model(s) in the below frame. When you are ordering replacement parts, please refer to this Parts Catalogue and quote both part numbers and part names correctly.

1. Modifications or additions which have been made after issue of the Parts Catalogue will be announced in the Yamaha Parts News.  
It is advisable that you make necessary corrections to the Parts Catalogue according to the Yamaha Parts News.

2. Abbreviations  
The following abbreviations are used in this Parts Catalogue.

“UR” Use specified parts number.

“UN” Use as many as needed.

“AP” Alternate Parts

“LM” Local Made (Parts need to be ordered locally)

“F#” Frame No. (Applicable machine No.)

3. Parts, which are to be supplied in an assembly, are listed with a dot(.) in front of the part name as shown below.

EXAMPLE

CARBURETOR ASSY

.JET, PILOT

.NOZZLE, MAIN

4. Number of component for assembly  
The numeral appearing to the right of each component part indicates the quantity of parts for each assembly unit.

EXAMPLE

PART NO.	DESCRIPTION	Q'TY	REMARKS
2F5-83310-60	FRONT FLASHER LIGHT ASSY	2	
115-83311-60	.BULB (6V-18W)	1	

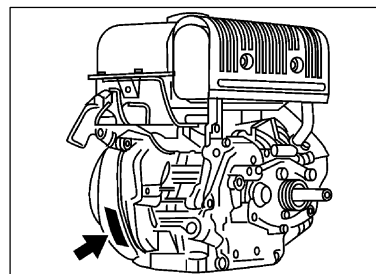
5. Applicable colors of graphics are represented in the REMARKS as shown below.

PART NO.	DESCRIPTION	Q'TY	REMARKS
7UH-24110-00-98	FUEL TANK COMP.	1	LGB
7T9-24610-00	CAP ASSY	1	

6. Applicable Serial No. and Color Code

See the Serial No list on next page.

Engine Serial No.



Color Code	Color Name	Abbreviation
00NJ	FARAWAY BLUE	FWB

7. Note that the illustrations for reference in finding parts numbers, not be used for assembling. When assembling, please use the applicable service manual.

Applicable Serial No.

\*indicates what items apply to the model.

MODEL NAME (ABBREVIATION)	MODEL TYPE	MODEL CODE	FRAME SERIAL No.	PTO	MTG.FACE		OIL WARNING	AIR CLEANER			STOP SWITCH	STARTING MOTOR	LIGHTING COIL	
					M8	UNF		SEMI-DRY	SILENT-DUAL	SEMI-CYCLONE				
MZ300	A1	7WR1	7WR-0100101	A		*		*			*			
	A1B		7WR-0120101			*			*		*			
	A1C		7WR-0140101			*				*		*		
	A2B		7WR-0160101			*	*		*		*			
	A2C		7WR-0180101			*	*	*		*		*		
	B1B	7WR2	7WR-0200101	B	*				*		*			
	B1BK		7WR-0220101		*				*		*		*	
	B1AT-VNM		7WR-0240101		*					*		*		*
	G2	7WR7	7WR-0700101	G	*		*	*			*			
	K4-60	7WRB	7WR-1200101	K		*	*	*			*			
	K4		7WR-1220101			*	*	*			*			
	L1	7WRC	7WR-1300101	L	*		*	*			*			
	A3B	7WS1	7WS-0100101	A		*	*			*		*		
K2	7WSB	7WS-1200101	K		*	*	*			*		*		
MZ300R	Br1	7WRF	7WR-1600101	Br	*			*			*			
	Br2B		7WR-1620101		*		*		*		*			
	Br3B	7WSF	7WS-1600101	Br	*		*		*		*		*	
MZ360	A1	7WT1	7WT-0100101	A		*		*			*			
	A1B		7WT-0120101			*			*		*			
	A1C		7WT-0140101			*				*		*		
	A2B		7WT-0160101			*	*		*		*		*	
	A2C		7WT-0180101			*	*	*		*		*		
	C1B	7WT3	7WT-0300101	C	*				*		*			
	C1AT-K		7WT-0320101		*					*		*		
	C1AT-VNM		7WT-0340101		*					*		*		
	K5-60	7WTB	7WT-1220101	K		*	*	*			*			
	K5		7WT-1200101			*	*	*			*			
	L1	7WTC	7WT-1300101	L	*		*	*			*			
	A3B	7WU1	7WU-0100101	A		*	*			*		*		
	K6-60	7WUB	7WU-1200101	K		*	*	*			*		*	
K6	7WU-1220101				*	*	*			*		*		
L3	7WUC		7WU-1300101		L	*		*	*			*		*
MZ360R	Br1	7WTF	7WT-1600101	Br	*			*			*			
	Br1C		7WT-1620101		*					*		*		
	Br2B		7WT-1640101		*		*		*		*		*	
	Br3B	7WUF	7WU-1600101	Br	*		*		*		*		*	

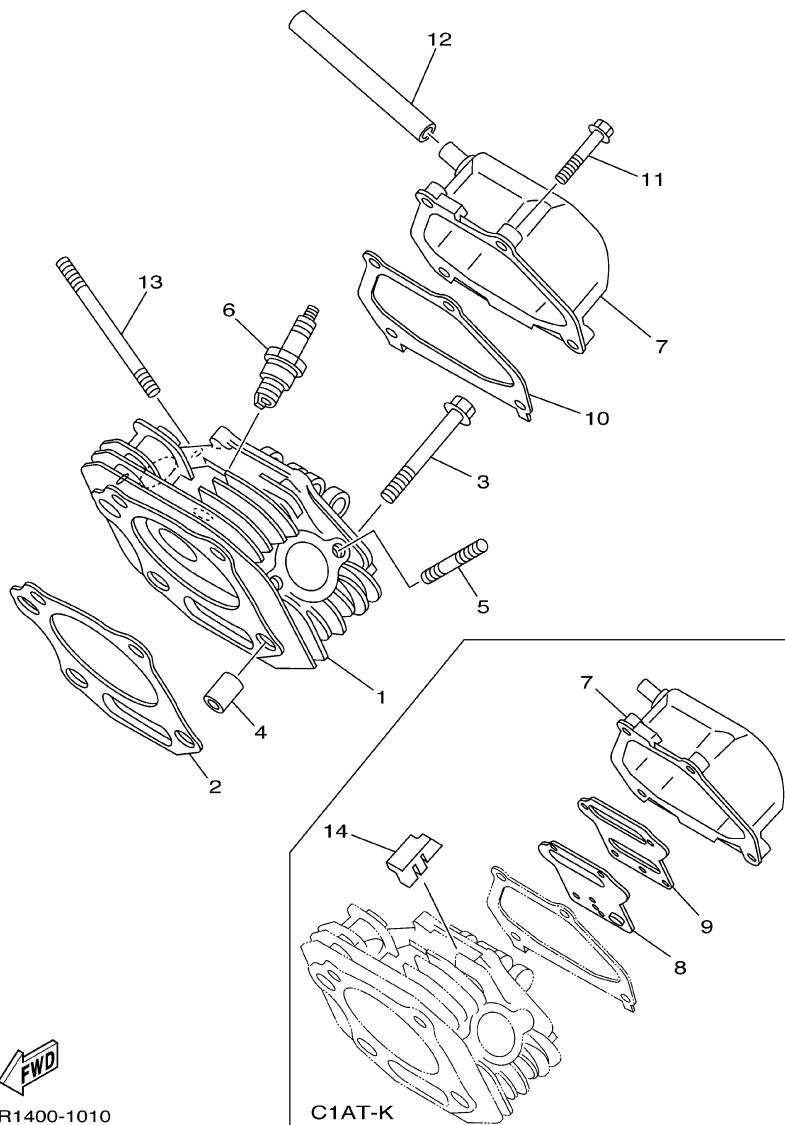
# CONTENTS

CYLINDER .....	1
CRANKSHAFT .....	2
CRANKSHAFT. PISTON (MZ300/MZ360) .....	3
CRANKSHAFT. PISTON 2 (MZ300R/MZ360R) .....	4
GOVERNOR 1 .....	5
CAMSHAFT. VALVE .....	7
AIR SHROUD. STARTER .....	8
INTAKE 1 (SILENT SEMI-DRY/SILENT-DUAL) .....	9
INTAKE 2 (FOR SEMI-CYCLONE 1C,2C) .....	10
INTAKE 3 (FOR SEMI-CYCLONE B1AT-VNM,C1AT-K,C1AT-VNM) .....	11
CARBURETOR 1 (FOR SILENT SEMI-DRY) .....	12
CARBURETOR 2 (FOR SILENT-DUAL) .....	13
CARBURETOR 3 (FOR SEMI-CYCLONE EXCEPT FOR C1AT-K) .....	14
CARBURETOR 4 (FOR SEMI-CYCLONE C1AT-K) .....	16
EXHAUST .....	17
CRANKCASE COVER 1 (MZ300/MZ360) .....	18
CRANKCASE COVER 2 (MZ300R/MZ360R) .....	19
FUEL TANK (EXCEPT FOR B1AT-VNM,C1AT-K,C1AT-VNM) .....	21
FUEL TANK 2 (FOR B1AT-VNM,C1AT-VNM) .....	22
FUEL 3 (FOR C1AT-K) .....	23
MAGNETO .....	25
STARTING MOTOR (ELECTRIC START MODEL) .....	26
ELECTRICAL 1 (MANUAL START MODEL) .....	27
ELECTRICAL 2 (EL.START MODEL) .....	28
EMBLEM. LABEL .....	29
BODY FITTING .....	30

## INDEX

NUMERICAL INDEX .....	31
-----------------------	----

**FIG. 1 CYLINDER**



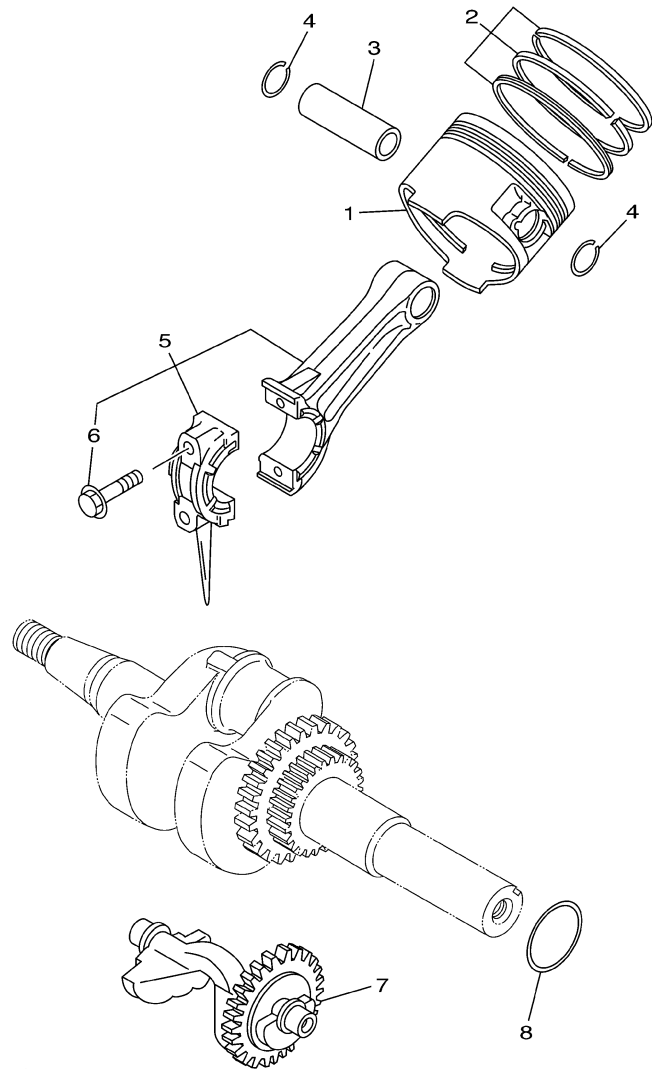
**FWD**  
7WR1400-1010

REF. NO.	PART NO.	DESCRIPTION	300	300R	360	360R	REMARKS
1	7WE-11111-00	HEAD, CYLINDER 1	1	1			
	7WG-11111-00	HEAD, CYLINDER 1			1	1	
	2	7WE-11181-00	GASKET, CYLINDER HEAD 1	1	1		
	7WG-11181-00	GASKET, CYLINDER HEAD 1			1	1	
	7WT-11181-00	GASKET, CYLINDER HEAD 1			1		FOR C1AT-K
	3	95817-10070	BOLT, FLANGE	4	4	4	4
4	99530-14016	PIN, DOWEL	2	2	2	2	
5	95627-08618	BOLT, STUD	2	2	2	2	
6	94702-00331	PLUG, SPARK (NGK BPR4ES)	1	1	1	1	
	7	7WG-11190-00	COVER, CYLINDER HEAD 1	1	1	1	1
	7RH-11191-01	COVER, CYLINDER HEAD 1			1		FOR C1AT-K
8	JN6-11168-00	COVER, BREATHER			1		FOR C1AT-K
9	7RH-11169-00	GASKET, BREATHER COVER			1		FOR C1AT-K
10	JN6-11193-00	GASKET, HEAD COVER 1	1	1	1	1	
11	95827-06030	BOLT, FLANGE	4	4	4	4	
	12	7RH-11166-00	PIPE, BREATHER 1	1	1	1	1
	7RK-11166-00	PIPE, BREATHER 1	1		1		FOR B1AT-VNM, C1AT-VNM
13	95607-08700	BOLT, STUD	2	2	2	2	
	90116-08623	BOLT, STUD			2		FOR C1AT-K
14	7RK-11355-00	SEAL, CYLINDER 1			1		FOR C1AT-K





**FIG. 3 CRANKSHAFT. PISTON (MZ300/MZ360)**

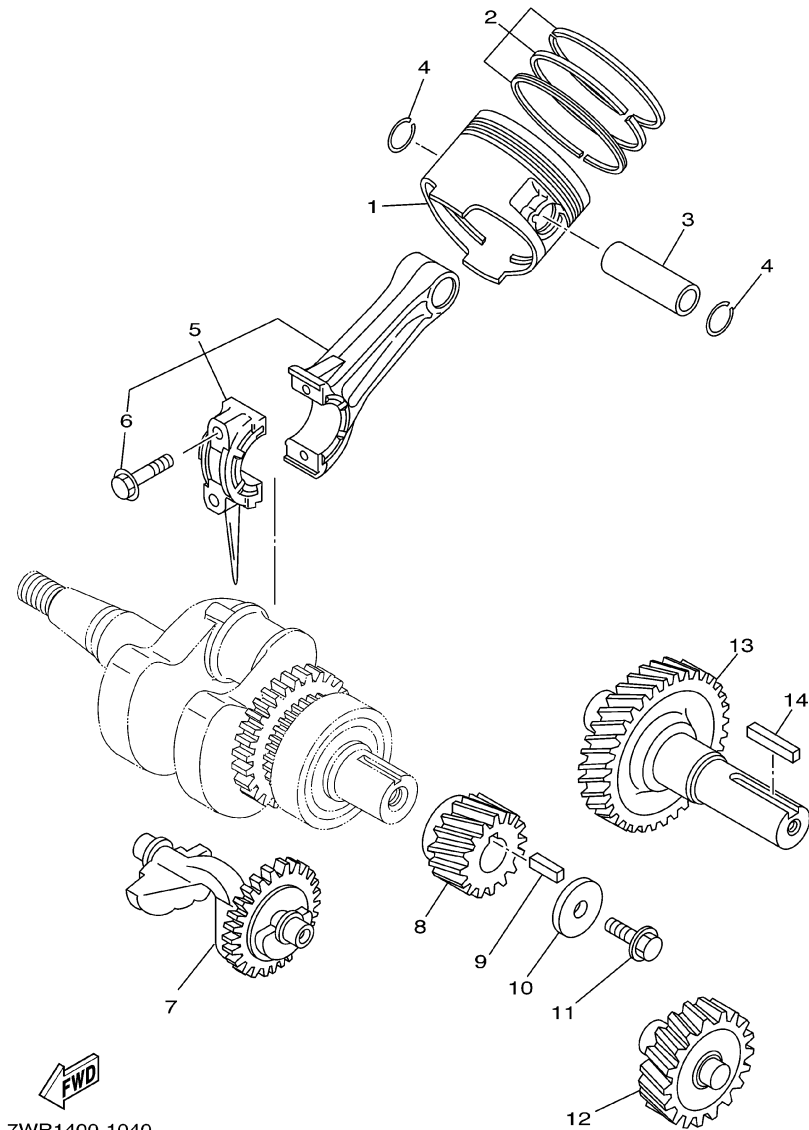


REF. NO.	PART NO.	DESCRIPTION	300	300R	360	360R	REMARKS
1	JN6-11631-00-A0	PISTON (STD)	1				
	7RH-11631-00-A0	PISTON (STD)			1		
	7RK-11631-00-A0	PISTON (STD)			1		FOR C1AT-K
	JN6-11635-00	PISTON (0.25MM O/S)	1				AP
	7RH-11635-00	PISTON (0.25MM O/S)			1		AP
	7RK-11635-00	PISTON (0.25MM O/S)			1		AP FOR C1AT-K
	JN6-11636-00	PISTON (0.50MM O/S)	1				AP
	7RH-11636-00	PISTON (0.50MM O/S)			1		AP
	7RK-11636-00	PISTON (0.50MM O/S)			1		AP FOR C1AT-K
2	JN6-11610-00	PISTON RING SET (STD)	1				
	7RH-11603-00	PISTON RING SET (STD)			1		
	JN6-11610-10	PISTON RING SET (0.25MM O/S)	1				AP
	7RH-11604-00	PISTON RING SET (0.25MM O/S)			1		AP
	JN6-11610-20	PISTON RING SET (0.50MM O/S)	1				AP
	7RH-11605-00	PISTON RING SET (0.50MM O/S)			1		AP
3	447-11633-00	PIN, PISTON	1				
	583-11633-00	PIN, PISTON			1		
4	93450-21053	CIRCLIP	2		2		
5	JN6-11650-00	CONNECTING ROD ASSY	1		1		
6	JN6-11654-00	.BOLT, CONNECTING ROD	2		2		
7	7WG-11454-00	WEIGHT 1	1		1		
8	7RK-11561-00	SHIM, CRANK 1 (0.1T)	1		1		UN



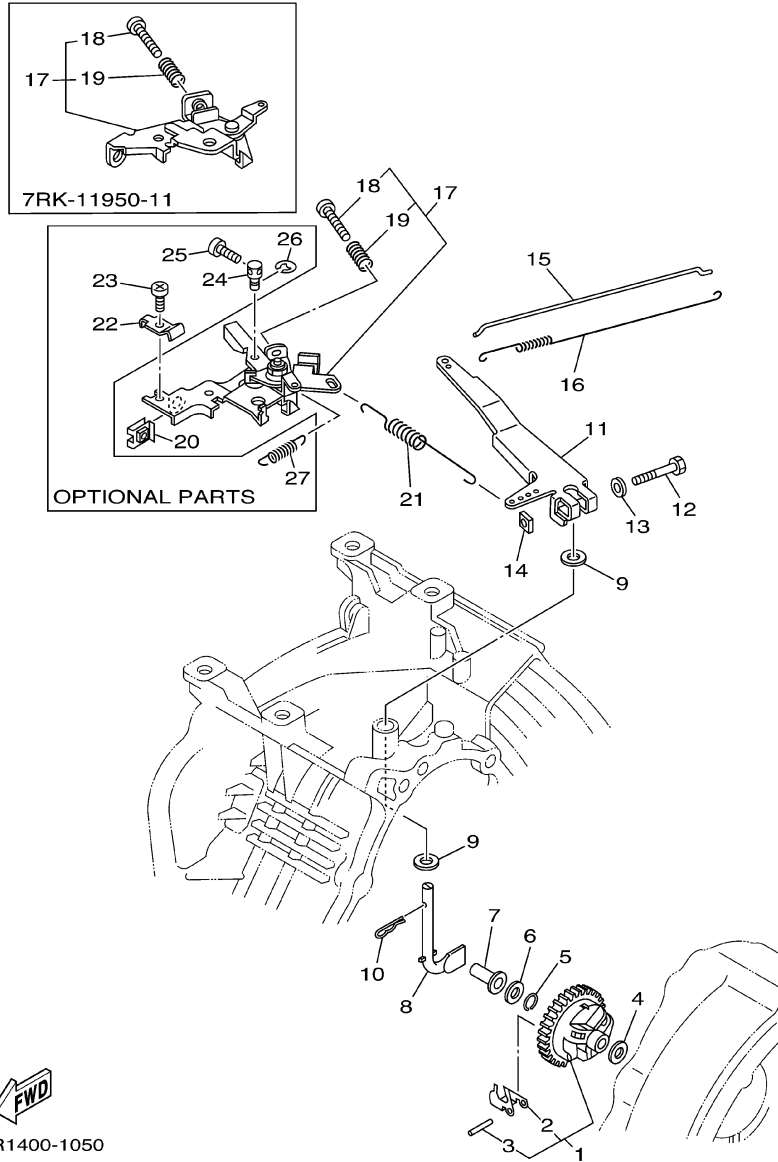
7UH1110-0030

**FIG. 4 CRANKSHAFT. PISTON 2 (MZ300R/MZ360R)**



REF. NO.	PART NO.	DESCRIPTION	300	300R	360	360R	REMARKS
1	JN6-11631-00-A0	PISTON (STD)		1			
	7RH-11631-00-A0	PISTON (STD)				1	
	JN6-11635-00	PISTON (0.25MM O/S)		1			AP
	7RH-11635-00	PISTON (0.25MM O/S)				1	AP
	JN6-11636-00	PISTON (0.50MM O/S)		1			AP
	7RH-11636-00	PISTON (0.50MM O/S)				1	AP
2	JN6-11610-00	PISTON RING SET (STD)		1			
	7RH-11603-00	PISTON RING SET (STD)				1	
	JN6-11610-10	PISTON RING SET (0.25MM O/S)		1			AP
	7RH-11604-00	PISTON RING SET (0.25MM O/S)				1	AP
	JN6-11610-20	PISTON RING SET (0.50MM O/S)		1			AP
	7RH-11605-00	PISTON RING SET (0.50MM O/S)				1	AP
3	447-11633-00	PIN, PISTON		1			
	583-11633-00	PIN, PISTON				1	
4	93450-21053	CIRCLIP		2		2	
5	JN6-11650-00	CONNECTING ROD ASSY		1		1	
6	JN6-11654-00	.BOLT, CONNECTING ROD		2		2	
7	7WG-11454-00	WEIGHT 1		1		1	
8	7RK-11434-00	GEAR, CRANK SHAFT		1		1	
9	90282-07021	KEY, STRAIGHT		1		1	
10	7RK-11557-00	WASHER 1		1		1	
11	90105-10445	BOLT, FLANGE		1		1	
12	7RK-11455-00	SHAFT 1		1		1	
13	7RK-11465-00	SHAFT 2		1		1	
14	90282-07061	KEY, STRAIGHT (7.0 MM)		1		1	UN

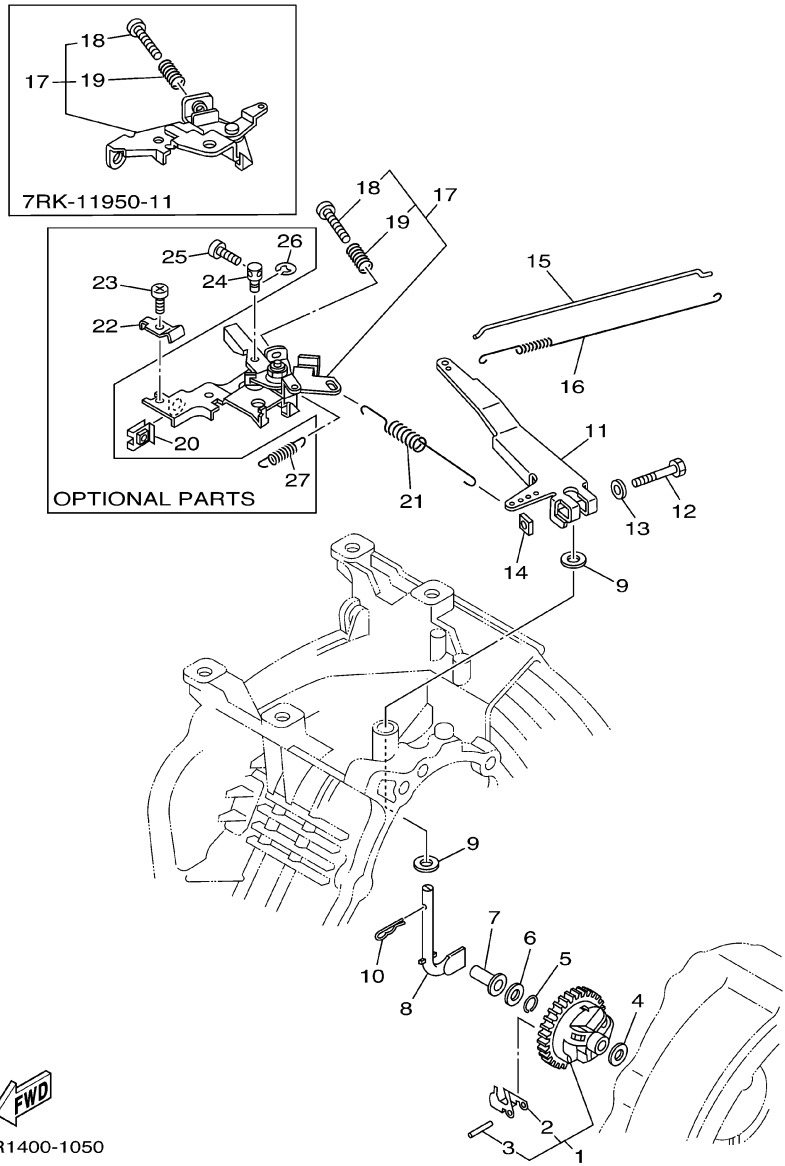
FIG. 5 GOVERNOR 1



7WR1400-1050

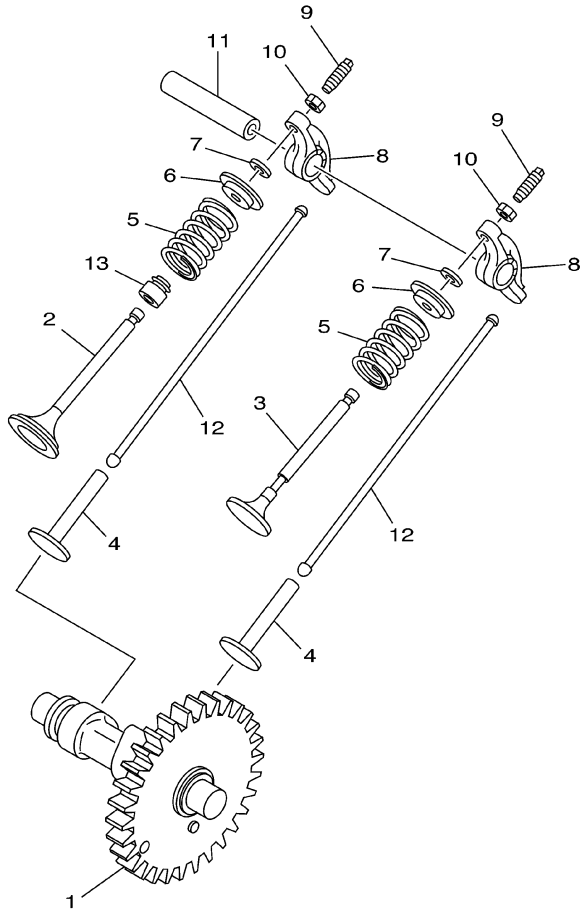
REF. NO.	PART NO.	DESCRIPTION	300	300R	360	360R	REMARKS
1	7RH-11970-00	FLYWEIGHT SHAFT ASSY.	1	1	1	1	
2	7RH-11913-00	.WEIGHT	3	3	3	3	
3	7FK-11914-00	.SHAFT, WEIGHT	3	3	3	3	
4	90201-065K7	WASHER, PLATE	1	1	1	1	
5	93440-06107	CIRCLIP	1	1	1	1	
6	90201-067L0	WASHER, PLATE	1	1	1	1	
7	7KY-11917-00	COLLAR	1	1	1	1	
8	7RH-11922-00	FORK, GOVERNOR	1	1	1	1	
9	90201-08092	WASHER, PLATE	2	2	2	2	
10	90468-12006	CLIP	1	1	1	1	
11	7RK-11924-10	ARM, GOVERNOR	1	1	1	1	
12	97027-06030	BOLT	1	1	1	1	
13	92907-06600	WASHER, PLATE	1	1	1	1	
14	90173-06017	NUT, SQUARE	1	1	1	1	
15	7RH-11928-00	ROD, LINK	1	1	1	1	
16	90506-04458	SPRING, TENSION	1	1	1	1	
17	7RK-41240-02	THROTTLE LEVER COMP.	1	1	1	1	
	7RK-11950-11	ADJUST PLATE COMP.	1	1			FOR L1,K4-60,K4,K5-60,K5,K6-60,K6,L3
18	98507-05025	.SCREW, PAN HEAD	1	1	1	1	
	98507-05030	.SCREW, PAN HEAD	1	1			FOR L1,K4-60,K4,K5-60,K5,K6-60,K6,L3
19	90501-090A8	.SPRING, COMPRESSION	1	1	1	1	
20	90183-06036	NUT, SPRING	1	1	1	1	
21	7RK-11925-01	SPRING, GOVERNOR	1	1	1	1	
	7RK-11925-20	SPRING, GOVERNOR	1	1			FOR L1,K4-60,K4,K5-60,K5,K6-60,K6,L3
22	77Y-11950-01	HOLDER, WIRE	1	1	1	1	AP
23	98507-05012	SCREW, PAN HEAD	1	1	1	1	AP
24	7UH-11932-00	SETTER, WIRE	1	1	1	1	AP

**FIG. 5 GOVERNOR 1**



REF. NO.	PART NO.	DESCRIPTION	300	300F	360	360R	REMARKS
25	98507-04006	SCREW, PAN HEAD	1	1	1	1	AP
26	99001-04600	CIRCLIP	1	1	1	1	AP
27	90506-07412	SPRING, TENSION	1	1	1	1	AP
-----							
-----							
-----							
-----							
-----							
-----							
-----							
-----							
-----							
-----							

**FIG. 6 CAMSHAFT. VALVE**

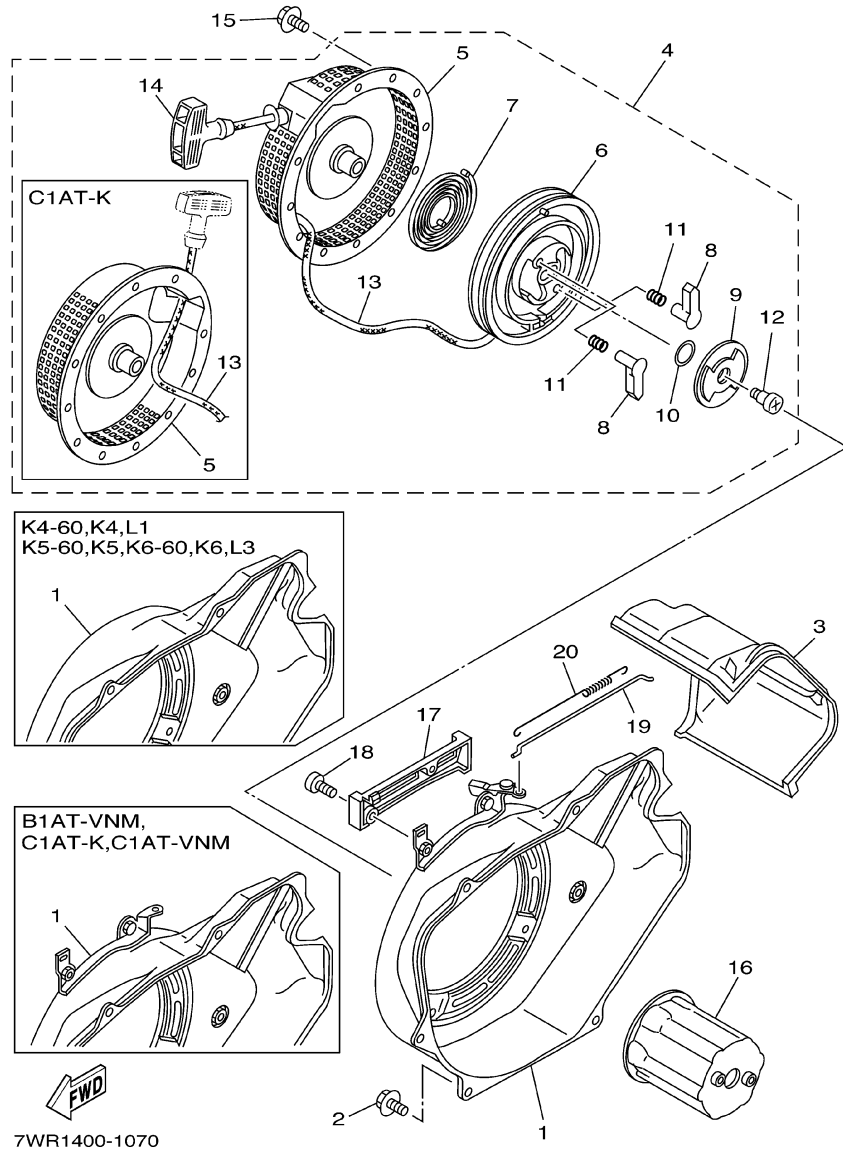


REF. NO.	PART NO.	DESCRIPTION	300	300F	360	360F	REMARKS
1	7WG-12170-00	CAMSHAFT ASSY 1	1	1	1	1	
2	JN6-12111-01	VALVE, INTAKE	1	1	1	1	
3	7RH-12121-00	VALVE, EXHAUST	1	1	1	1	
4	JN6-12153-00	LIFTER, VALVE	2	2	2	2	
5	90501-264A9	SPRING, COMPRESSION	2	2	2	2	
6	J38-12117-01	RETAINER, VALVE SPRING	2	2	2	2	
7	J38-12118-00	COTTER, VALVE	2	2	2	2	
8	JN6-12151-00	ARM, VALVE ROCKER	2	2	2	2	
9	22F-12159-00	SCREW, VALVE ADJUSTING	2	2	2	2	
10	90170-05302	NUT	2	2	2	2	
11	J38-12156-00	SHAFT, ROCKER 2	1	1	1	1	
12	JN6-12154-00	ROD, VALVE PUSH	2	2	2	2	
13	4G0-12119-00	SEAL, VALVE STEM	1	1	1	1	

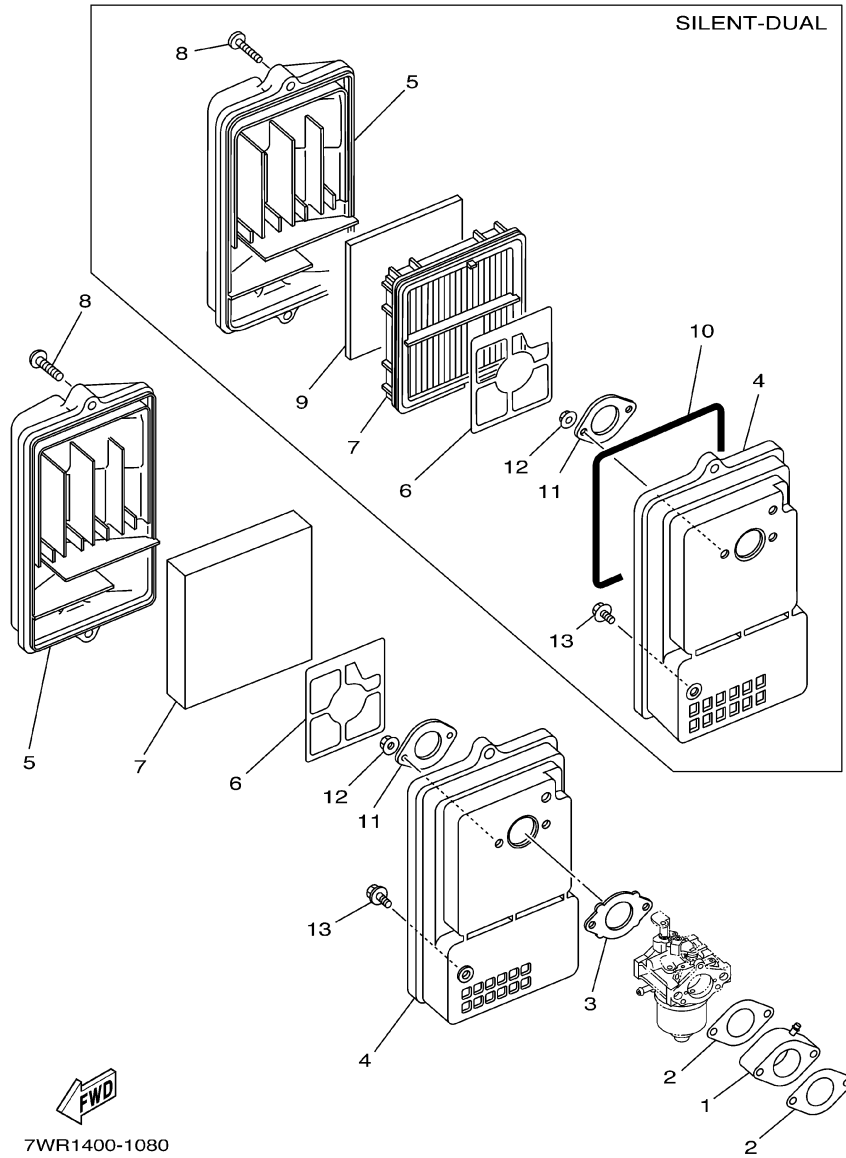


7UK1110-8060

FIG. 7 AIR SHROUD. STARTER



REF. NO.	PART NO.	DESCRIPTION	300	300R	360	360R	REMARKS
1	7WG-12621-00	CASE, FAN	1	1	1	1	FOR K4-60, K4, L1, K5-60, K5, K6-60, K6, L3 FOR B1AT-VNM, C1AT-K, C1AT-VNM
	7WG-12621-10	CASE, FAN	1		1		
	7WG-12621-20	CASE, FAN	1		1		
2	95807-06012	BOLT, FLANGE	5	5	5	5	
3	7RH-12651-01	AIR SHROUD, CYLINDER 1	1	1	1	1	
4	7RH-15710-00	STARTER ASSY	1	1	1	1	FOR C1AT-K
	7RJ-15710-S0	STARTER ASSY			1		
5	7RH-15711-00	.CASE, STARTER	1	1	1	1	FOR C1AT-K
	7RJ-15711-S0	.CASE, STARTER			1		
6	7RH-15714-00	.DRUM, SHEAVE	1	1	1	1	
7	7RH-15713-00	.SPRING, STARTER	1	1	1	1	
8	7RH-15741-00	.PAWL, DRIVE	2	2	2	2	
9	7RH-15716-00	.PLATE, DRIVE	1	1	1	1	
10	7RH-15715-00	.SPRING, FRICTION	1	1	1	1	
11	JK4-15743-00	.SPRING, RETURN	2	2	2	2	
12	7NJ-15793-00	.SCREW	1	1	1	1	FOR C1AT-K
13	7RH-15751-00	.WIRE, STARTER	1	1	1	1	
	7RJ-15751-S0	.WIRE, STARTER			1		
14	7RH-15755-00	.HANDLE, STARTER	1	1	1	1	
15	95807-06008	BOLT, FLANGE	4	4	4	4	
16	7RH-15723-00	PULLEY, STARTER	1	1	1	1	
17	7RK-41266-00	COVER, LINK	1	1	1	1	EXCEPT FOR *1
18	98507-05010	SCREW, PAN HEAD	2	2	2	2	EXCEPT FOR *1
19	7RK-41256-00	ROD, CHOKE 1	1	1	1	1	EXCEPT FOR *2
20	90506-04421	SPRING, TENSION	1	1	1	1	EXCEPT FOR *2
*1 K4-60, K4, L1, K5-60, K5, K6-60, K6, L3							
*2 K4-60, K4, L1, K5-60, K5, K6-60, K6, L3, B1AT-VNM, C1AT-K, C1AT-VNM							

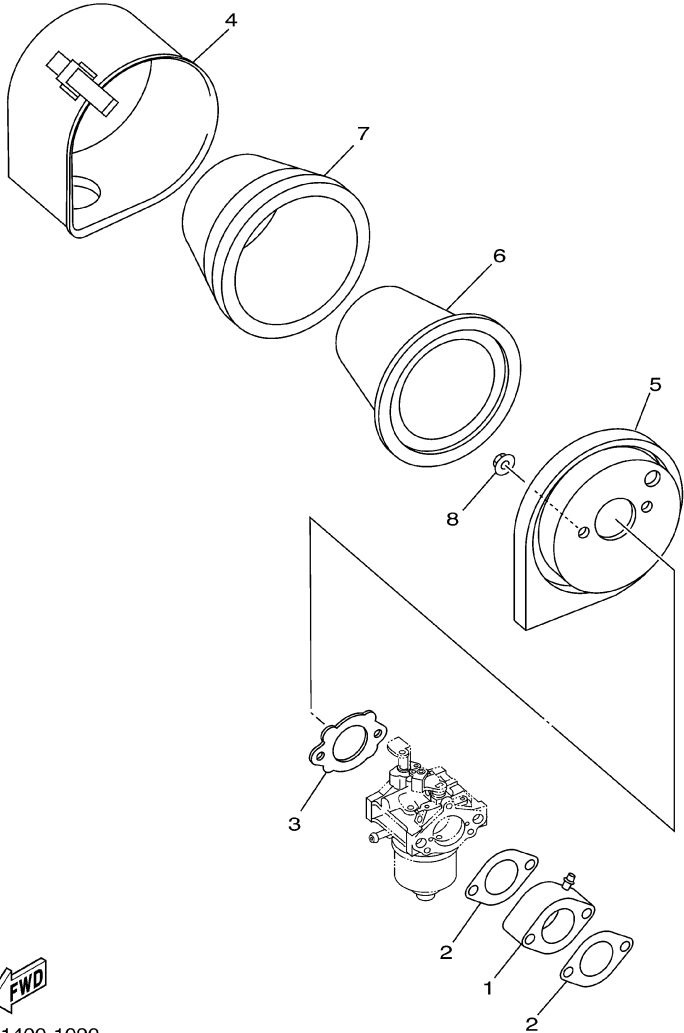


**FIG. 8 INTAKE 1 (SILENT SEMI-DRY/SILENT-DUAL)**

REF. NO.	PART NO.	DESCRIPTION	300	300F	360	360F	REMARKS
1	7RH-13596-10	JOINT, CARBURETOR 2	1	1	1	1	
2	7RH-13557-00	GASKET	2	2	2	2	
3	7RH-13567-00	GASKET	1	1	1	1	
4	7RH-14411-01	CASE, AIR CLEANER 1	1	1	1	1	
5	7RH-14412-01	CAP, CLEANER CASE 1	1	1	1	1	
6	7RH-14468-00	PLATE, ELEMENT FITTING	1	1	1	1	
7	7RH-14451-00	ELEMENT, AIR CLEANER	1	1	1	1	
	7RK-14451-10	ELEMENT, AIR CLEANER	1	1	1	1	FOR SILENT-DUAL
8	7RH-14429-00	SCREW	2	2	2	2	
9	7RK-14461-10	ELEMENT, AIR CLEANER 2	1	1	1	1	FOR SILENT-DUAL
10	7RK-14462-10	SEAL	1	1	1	1	FOR SILENT-DUAL
11	7LV-14477-00	PLATE	1	1	1	1	
12	95707-08500	NUT, FLANGE	1	1	1	1	
13	95807-06016	BOLT, FLANGE	1	1	1	1	

**FIG. 9 INTAKE 2 (FOR SEMI-CYCLONE 1C,2C)**

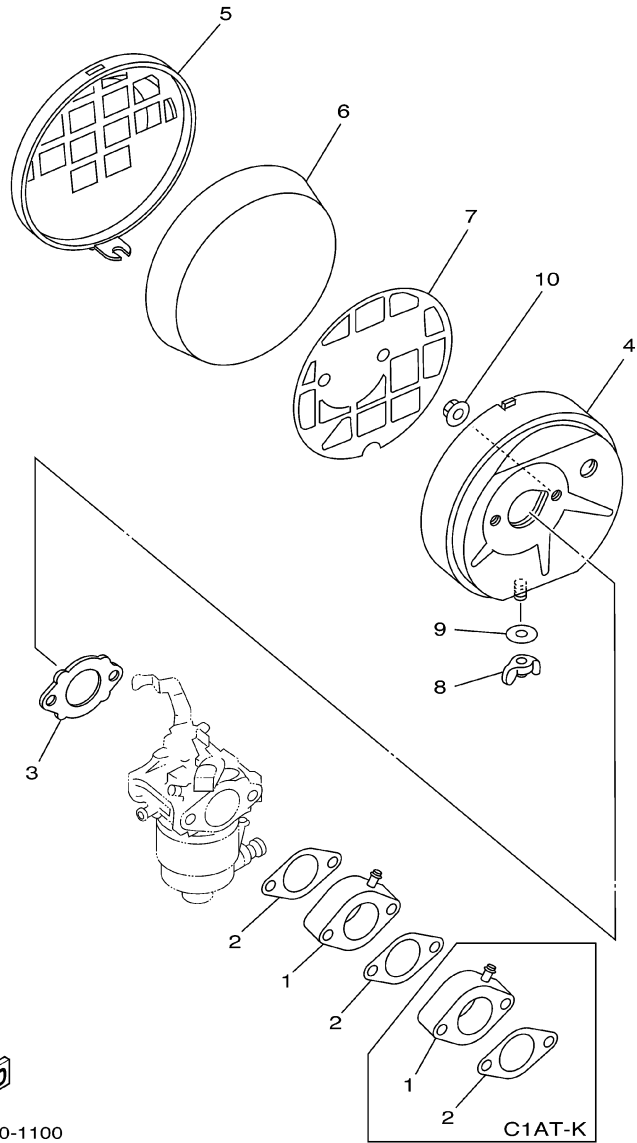
REF. NO.	PART NO.	DESCRIPTION	300	300F	360	360R	REMARKS
1	7RH-13596-10	JOINT, CARBURETOR 2	1		1	1	
2	7RH-13557-00	GASKET	2		2	2	
3	7RH-13567-00	GASKET	1		1	1	
4	7RK-14411-20	CASE, AIR CLEANER 1	1		1	1	
5	7RK-14468-20	PLATE,ELEMENT FITTING	1		1	1	
6	7RK-14451-20	ELEMENT, AIR CLEANER	1		1	1	
7	7RK-14461-20	ELEMENT, AIR CLEANER 2	1		1	1	
8	95707-08500	NUT, FLANGE	1		1	1	
-----							
-----							
-----							
-----							
-----							
-----							
-----							
-----							
-----							
-----							



  
7WR1400-1090



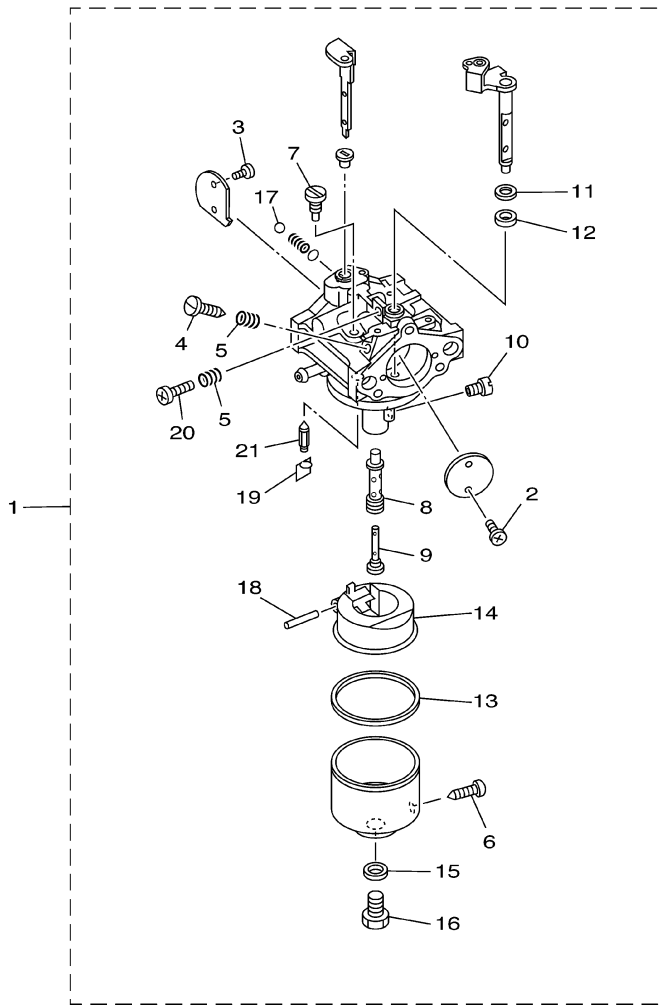
**FIG. 10 INTAKE 3 (FOR SEMI-CYCLONE B1AT-VNM,C1AT-K,C1AT-VNM)**



**FWD**  
7WR1400-1100

REF. NO.	PART NO.	DESCRIPTION	300	300F	360	360R	REMARKS
1	7RH-13596-10	JOINT, CARBURETOR 2	1		1		
	7RH-13596-10	JOINT, CARBURETOR 2			2		FOR C1AT-K
2	7RH-13557-00	GASKET	2		2		
	7RH-13557-00	GASKET			3		FOR C1AT-K
3	7RH-13567-00	GASKET	1		1		
4	7RK-14411-00	CASE, AIR CLEANER 1	1		1		
5	7RK-14412-00	CAP, CLEANER CASE 1	1		1		
6	7RK-14472-00	PLATE, ELEMENT	1		1		
7	75G-14451-00	ELEMENT, AIR CLEANER	1		1		
8	90175-06012	NUT, WING	1		1		
9	90201-06557	WASHER, PLATE	1		1		

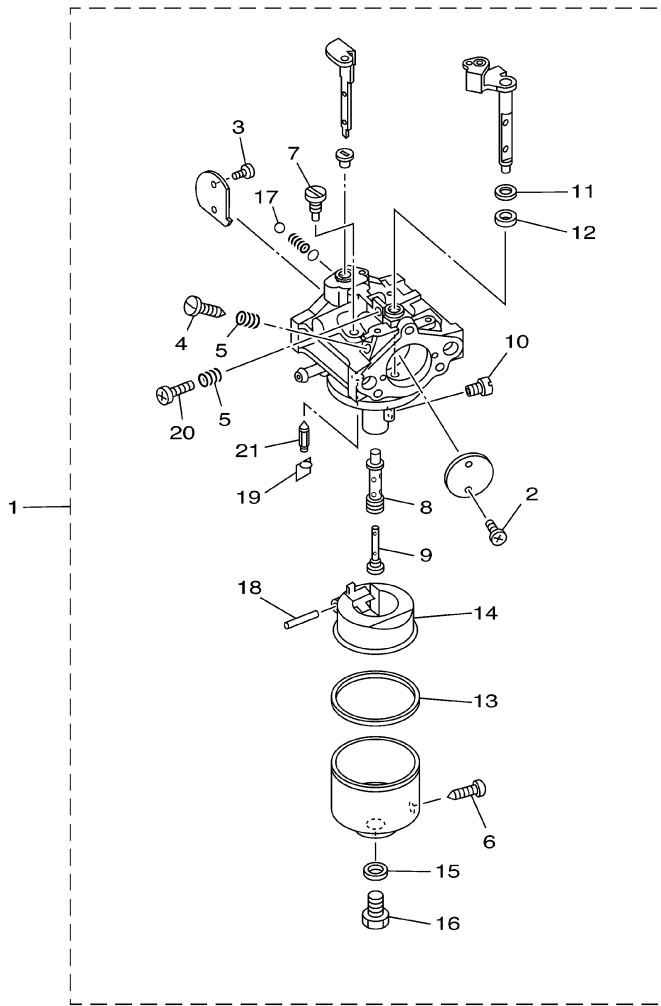
**FIG. 11 CARBURETOR 1 (FOR SILENT SEMI-DRY)**



7WR1400-1110

REF. NO.	PART NO.	DESCRIPTION	300	300R	360	360R	REMARKS
1	7RJ-14101-00	CARBURETOR ASSY 1	1	1			
	7RJ-14101-10	CARBURETOR ASSY 1	1				FOR K4-60,K4,L1
	7RK-14101-00	CARBURETOR ASSY 1			1	1	
	7RK-14101-10	CARBURETOR ASSY 1			1		FOR K5-60,K5,K6-60, K6,L3
2	7RH-14216-00	.SCREW	2	2	2	2	
3	7RH-14486-00	.SCREW, ROD	2	2	2	2	
4	7LV-14211-00	.SCREW, PILOT ADJUSTING	1	1	1	1	
5	73A-14212-00	.SPRING	2	2	2	2	
6	7E1-14191-00	.PLUG, DRAIN	1	1	1	1	
7	620-1414J-24	.JET, PILOT (#61.3)	1	1			
	620-14142-62	.JET, PILOT (#62.5)			1	1	
8	7LW-14941-53	.NOZZLE, MAIN	1	1	1	1	
9	73A-1414G-00	.PIPE, MAIN BREED	1	1	1	1	
10	3G2-14231-20	.JET, MAIN (#100)	1	1			
	3G2-1423A-72	.JET, MAIN (#107.5)			1	1	
11	4CW-14117-00	.WASHER, PLUG SCREW	1	1	1	1	
12	7X9-14239-00	.SEAL	1	1	1	1	
13	796-14184-00	.GASKET, FLOAT CHAMBER	1	1	1	1	
14	JN6-14185-00	.FLOAT	1	1	1	1	
15	127-14198-00	.GASKET	1	1	1	1	
16	7RG-14162-00	.BOLT, HOLDING	1	1	1	1	
17	93501-08001	.BALL	1	1	1	1	
18	22F-14186-00	.PIN, FLOAT	1	1	1	1	
19	7EG-14159-00	.CLIP	1	1	1	1	
20	1WG-14922-00	.SCREW, THROTTLE	1	1	1	1	
21	73A-14150-00	.NEEDLE ASSY	1	1	1	1	

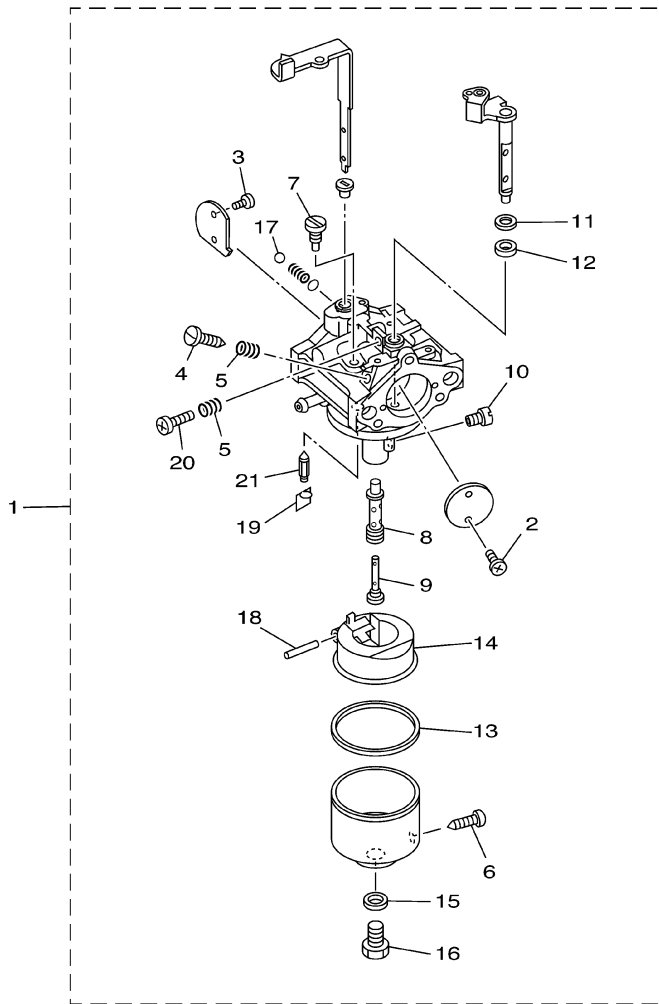
**FIG. 12 CARBURETOR 2 (FOR SILENT-DUAL)**



7WR1400-1110

REF. NO.	PART NO.	DESCRIPTION	300	300F	360	360F	REMARKS
1	7RJ-14101-50	CARBURETOR ASSY 1	1	1			FOR 1B,1BK,2B,3B
	7RK-14101-50	CARBURETOR ASSY 1			1	1	FOR 1B,2B,3B
2	7RH-14216-00	.SCREW	2	2	2	2	
3	7RH-14486-00	.SCREW, ROD	2	2	2	2	
4	7LV-14211-00	.SCREW, PILOT ADJUSTING	1	1	1	1	
5	73A-14212-00	.SPRING	2	2	2	2	
6	7E1-14191-00	.PLUG, DRAIN	1	1	1	1	
7	620-1414J-24	.JET, PILOT (#61.3)	1	1			FOR 1B,1BK,2B,3B
	620-14142-57	.JET, PILOT (#100)			1	1	FOR 1B,2B,3B
8	7RK-1495N-6A	.NOZZLE, MAIN	1	1	1	1	
9	73A-1414G-00	.PIPE, MAIN BREED	1	1	1	1	
10	3G2-14231-20	.JET, MAIN (#100)	1	1			FOR 1B,1BK,2B,3B
	3G2-14231-21	.JET, MAIN (#105)			1	1	FOR 1B,2B,3B
11	4CW-14117-00	.WASHER, PLUG SCREW	1	1	1	1	
12	7X9-14239-00	.SEAL	1	1	1	1	
13	796-14184-00	.GASKET, FLOAT CHAMBER	1	1	1	1	
14	JN6-14185-00	.FLOAT	1	1	1	1	
15	127-14198-00	.GASKET	1	1	1	1	
16	7RG-14162-00	.BOLT, HOLDING	1	1	1	1	
17	93501-08001	.BALL	1	1	1	1	
18	22F-14186-00	.PIN, FLOAT	1	1	1	1	
19	7EG-14159-00	.CLIP	1	1	1	1	
20	1WG-14922-00	.SCREW, THROTTLE	1	1	1	1	
21	73A-14150-00	.NEEDLE ASSY	1	1	1	1	

FIG. 13 CARBURETOR 3 (FOR SEMI-CYCLONE EXCEPT FOR C1AT-K)

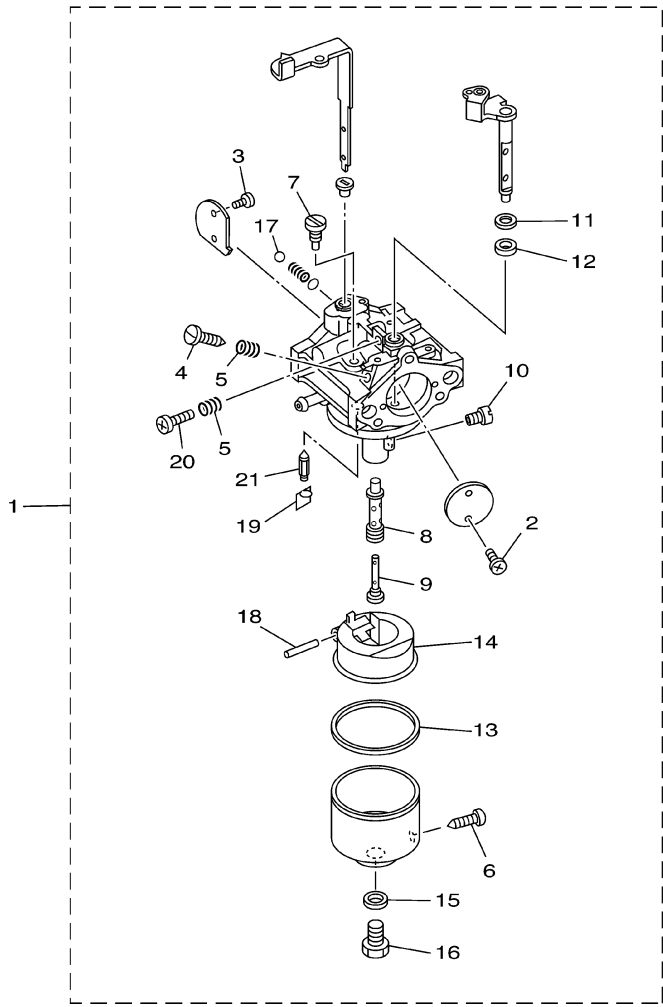


7WR1400-1130

REF. NO.	PART NO.	DESCRIPTION	300	300F	360	360F	REMARKS
1	7RJ-14101-20	CARBURETOR ASSY 1	1				FOR B1AT-VNM
	7RJ-14101-60	CARBURETOR ASSY 1	1				FOR 1C,2C
	7RK-14101-40	CARBURETOR ASSY 1			1		FOR C1AT-VNM
	7RK-14101-60	CARBURETOR ASSY 1			1	1	FOR 1C,2C
2	7RH-14216-00	.SCREW	2	2	2		
3	7RH-14486-00	.SCREW, ROD	2	2	2		
4	7LV-14211-00	.SCREW, PILOT ADJUSTING	1	1	1		
5	73A-14212-00	.SPRING	2	2	2		
6	7E1-14191-00	.PLUG, DRAIN	1	1	1		
7	620-1414J-24	.JET, PILOT (#61.3)	1	1			FOR 300(1C,2C), C1AT-VNM
	620-14142-57	.JET, PILOT (#100)	1	1	1		FOR B1AT-VNM, 360(1C,2C)
8	7RK-1495N-6A	.NOZZLE, MAIN	1	1	1		
9	73A-1414G-00	.PIPE, MAIN BREED	1	1	1		
10	3G2-1423E-40	.JET, MAIN (#101.3)	1				FOR B1AT-VNM
	3G2-1423A-70	.JET, MAIN (#97.5)	1				FOR 1C,2C
	3G2-1423E-42	.JET, MAIN (#106.3)			1		FOR C1AT-VNM
	3G2-1423A-71	.JET, MAIN (#102.5)			1	1	FOR 1C,2C
11	4CW-14117-00	.WASHER, PLUG SCREW	1	1	1		
12	7X9-14239-00	.SEAL	1	1	1		
13	796-14184-00	.GASKET, FLOAT CHAMBER	1	1	1		
14	JN6-14185-00	.FLOAT	1	1	1		
15	127-14198-00	.GASKET	1	1	1		
16	7RG-14162-00	.BOLT, HOLDING	1	1	1		
17	93501-08001	.BALL	1	1	1		
18	22F-14186-00	.PIN, FLOAT	1	1	1		
19	7EG-14159-00	.CLIP	1	1	1		
20	1WG-14922-00	.SCREW, THROTTLE	1	1	1		

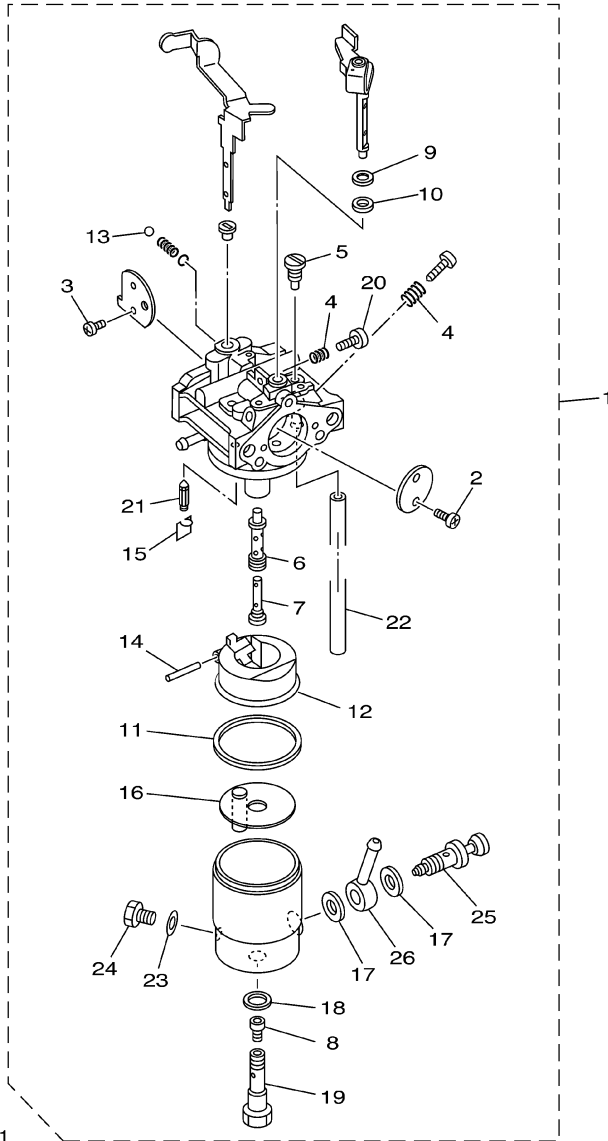
**FIG. 13 CARBURETOR 3 (FOR SEMI-CYCLONE EXCEPT FOR C1AT-K)**

REF. NO.	PART NO.	DESCRIPTION	300	300R	360	360R	REMARKS
21	73A-14150-00	.NEEDLE ASSY	1		1	1	



7WR1400-1130

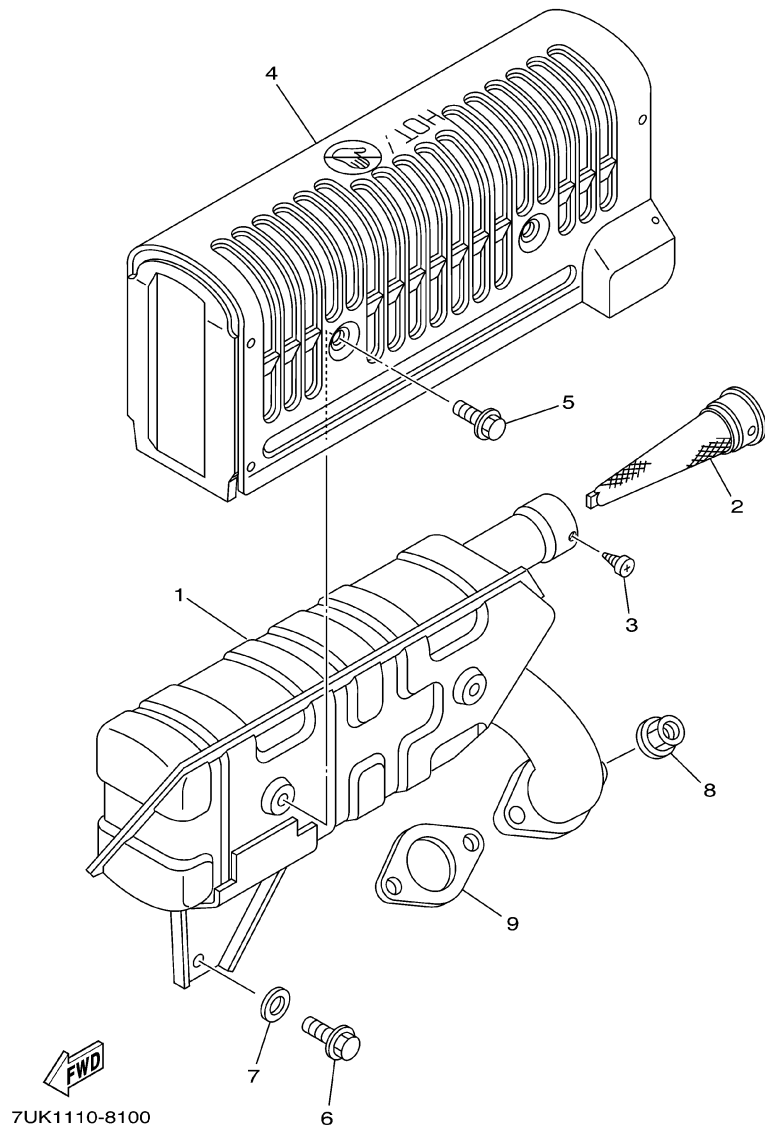
FIG. 14 CARBURETOR 4 (FOR SEMI-CYCLONE C1AT-K)



7RKA400-7071

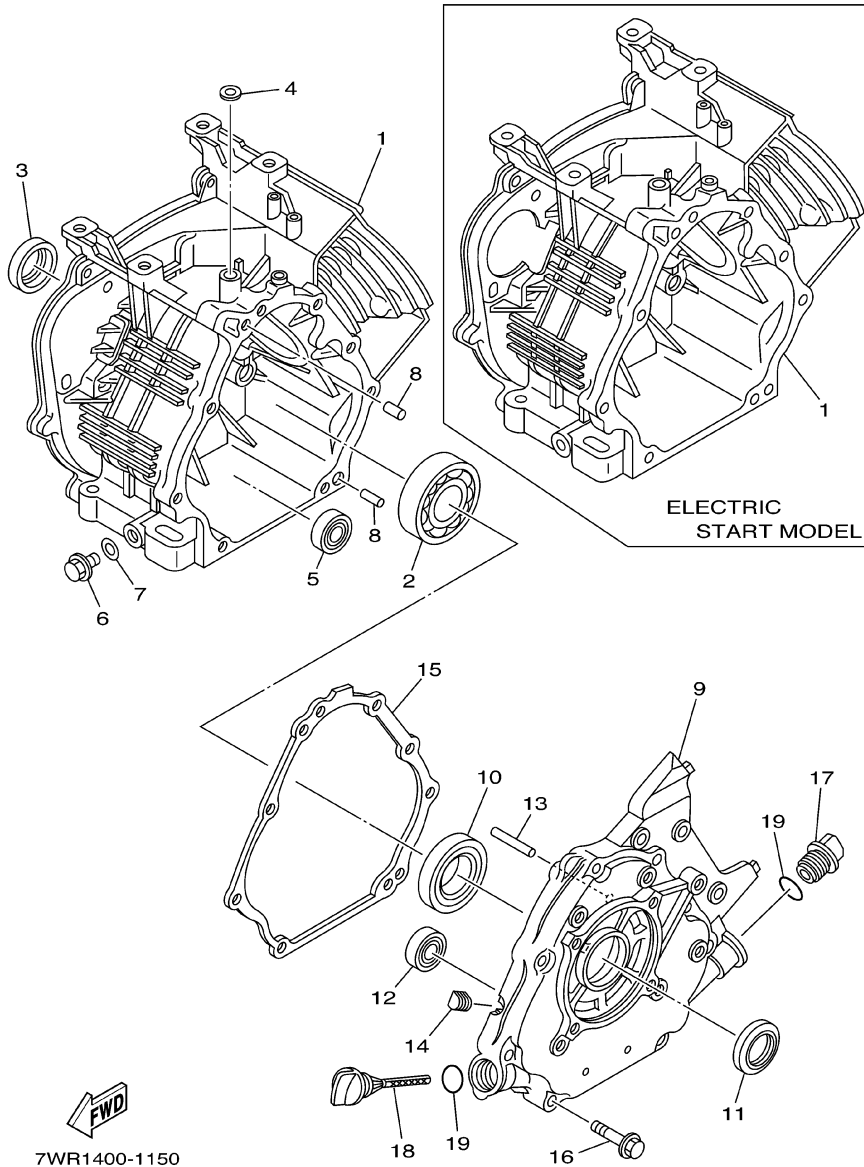
REF. NO.	PART NO.	DESCRIPTION	300	300F	360	360R	REMARKS
1	7RK-14101-21	CARBURETOR ASSY 1			1		
2	7RH-14216-00	.SCREW			2		
3	7RH-14486-00	.SCREW, ROD			2		
4	73A-14212-00	.SPRING			2		
5	620-1414J-25	.JET, PILOT (#63.8)			1		
6	7RK-14941-67	.NOZZLE, MAIN			1		
7	73A-1414G-00	.PIPE, MAIN BREED			1		
8	1HX-1423E-45	.JET, MAIN (#113.8)			1		
9	4CW-14117-00	.WASHER, PLUG SCREW			1		
10	7X9-14239-00	.SEAL			1		
11	796-14184-00	.GASKET, FLOAT CHAMBER			1		
12	JN6-14185-00	.FLOAT			1		
13	93501-08001	.BALL			1		
14	22F-14186-00	.PIN, FLOAT			1		
15	7EG-14159-00	.CLIP			1		
16	7RK-14945-00	.PLATE A			1		
17	7T9-14179-00	.WASHER, STARTER LEVER			2		
18	78A-14227-00	.WASHER			1		
19	7RK-14162-00	.BOLT, HOLDING			1		
20	1WG-14922-00	.SCREW, THROTTLE			1		
21	73A-14150-00	.NEEDLE ASSY			1		
22	4DG-14987-00	.HOSE			1		
23	341-14952-00	.WASHER			1		
24	7T9-14191-00	.PLUG, DRAIN			1		
25	7V0-14171-00	.PLUNGER, STARTER			1		
26	7T9-14167-00	.CONNECTOR			1		

**FIG. 15 EXHAUST**



REF. NO.	PART NO.	DESCRIPTION	300	300R	360	360R	REMARKS
1	7RK-14711-03	MUFFLER 1	1	1	1	1	
2	7LR-14786-00	ARRESTER, SPARK	1	1	1	1	
3	97707-40506	SCREW, TAPPING	1	1	1	1	
4	7RK-14708-00	PROTECTOR ASSY	1	1	1	1	
5	95827-06008	BOLT, FLANGE	4	4	4	4	
6	95827-08016	BOLT, FLANGE	1	1	1	1	
7	90201-086A3	WASHER, PLATE	1	1	1	1	
8	95307-08600	NUT	2	2	2	2	
9	7KY-14613-01	GASKET, EXHAUST PIPE	1	1	1	1	

**FIG. 16 CRANKCASE COVER 1 (MZ300/MZ360)**



7WR1400-1150

REF. NO.	PART NO.	DESCRIPTION	300	300R	360	360R	REMARKS
1	7WE-15111-00	CRANKCASE 1	1				
	7WE-15111-10	CRANKCASE 1	1				EL. START MODEL FOR 3B,K2
	7WG-15111-00	CRANKCASE 1			1		
	7WG-15111-10	CRANKCASE 1			1		EL. START MODEL FOR 3B,K6-60,K6,L3
2	93306-30709	BEARING	1			1	
3	93102-35191	OIL SEAL	1		1		
4	93109-08050	OIL SEAL	1		1		
5	93306-20201	BEARING (B6202)	1		1		
6	90340-12097	PLUG, STRAIGHT SCREW	2		2		
7	812-11198-00	GASKET	2		2		
8	99530-08016	PIN, DOWEL	2		2		
9	7RK-15411-00	COVER, CRANKCASE 1	1		1		
10	93306-20714	BEARING	1		1		
11	93102-35191	OIL SEAL	1		1		
12	93306-20201	BEARING (B6202)	1		1		
13	7RH-11971-00	SHAFT, FLYWEIGHT	1		1		
14	90338-06246	PLUG	1		1		
15	7RH-15451-01	GASKET, CRANKCASE COVER 1	1		1		
16	95817-08045	BOLT, FLANGE	8		8		
17	796-15363-01	PLUG, OIL	1		1		
18	7RK-15362-00	PLUG, OIL LEVEL	1		1		
19	93210-22344	O-RING	2		2		



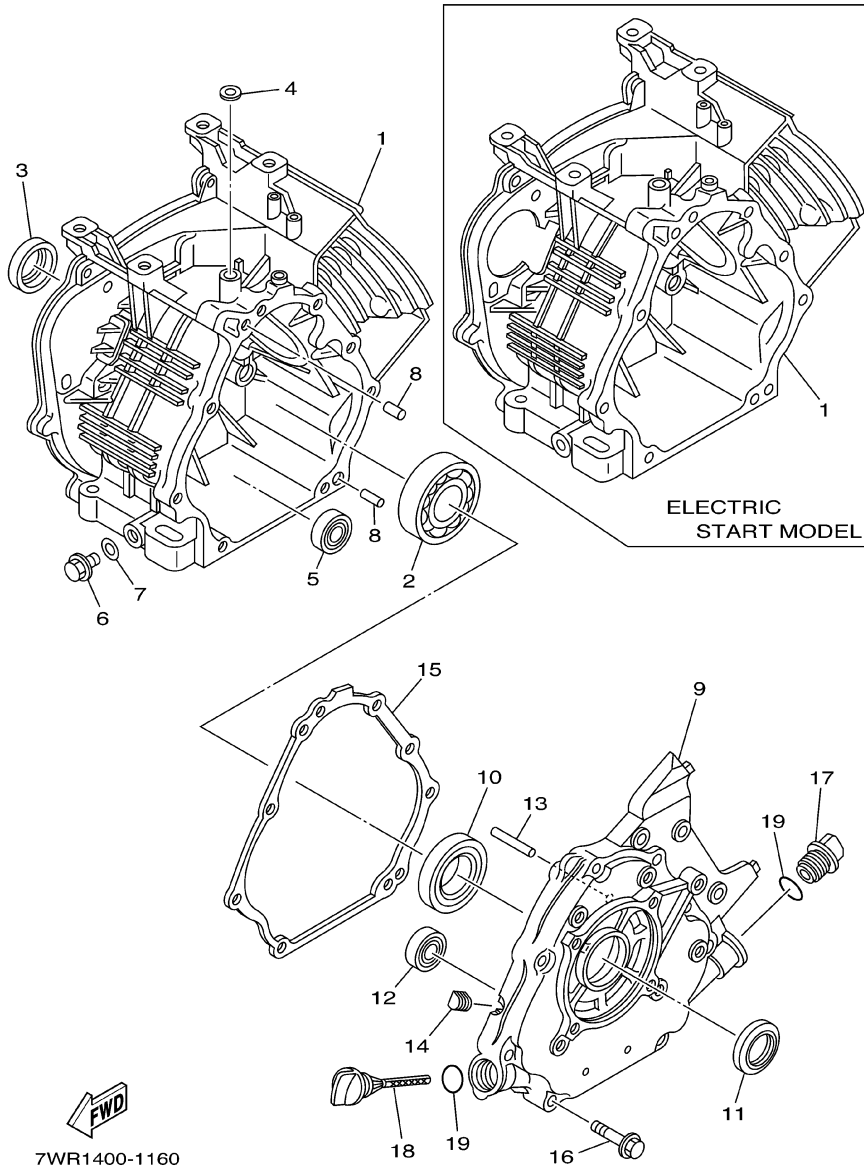


FIG. 17 CRANKCASE COVER 2 (MZ300R/MZ360R)

REF. NO.	PART NO.	DESCRIPTION	300	300R	360	360R	REMARKS
1	7WE-15111-00	CRANKCASE 1		1			
	7WE-15111-10	CRANKCASE 1		1			EL. START MODEL FOR 3B
	7WG-15111-00	CRANKCASE 1				1	
	7WG-15111-10	CRANKCASE 1				1	EL. START MODEL FOR 3B
2	93306-30709	BEARING		1		1	
3	93102-35191	OIL SEAL		1		1	
4	93109-08050	OIL SEAL		1		1	
5	93306-20201	BEARING (B6202)		1		1	
6	90340-12097	PLUG, STRAIGHT SCREW		2		2	
7	812-11198-00	GASKET		2		2	
8	99530-08016	PIN, DOWEL		2		2	
9	7RK-15411-10	COVER, CRANKCASE 1		1		1	
10	93306-20714	BEARING		1		1	
11	93306-20201	BEARING (B6202)		1		1	
12	7RH-11971-00	SHAFT, FLYWEIGHT		1		1	
13	90338-06246	PLUG		1		1	
14	7RH-15451-01	GASKET, CRANKCASE COVER 1		1		1	
15	95817-08045	BOLT, FLANGE		8		8	
16	796-15363-01	PLUG, OIL		1		1	
17	7RK-15362-00	PLUG, OIL LEVEL		1		1	
18	93210-22344	O-RING		2		2	
19	7RK-15418-00	COVER, CHAIN CASE		1		1	
20	93306-20201	BEARING (B6202)		1		1	
21	93306-20637	BEARING		1		1	
22	93102-30195	OIL SEAL		1		1	
23	7RK-15453-00	GASKET, CHAIN CASE COVER		1		1	
24	95817-08045	BOLT, FLANGE		6		6	

**FIG. 17 CRANKCASE COVER 2 (MZ300R/MZ360R)**

REF. NO.	PART NO.	DESCRIPTION	300	300R	360	360R	REMARKS
25	99530-08016	PIN, DOWEL		2		2	
-----							
-----							
-----							
-----							
-----							
-----							
-----							
-----							
-----							
-----							
-----							
-----							
-----							
-----							

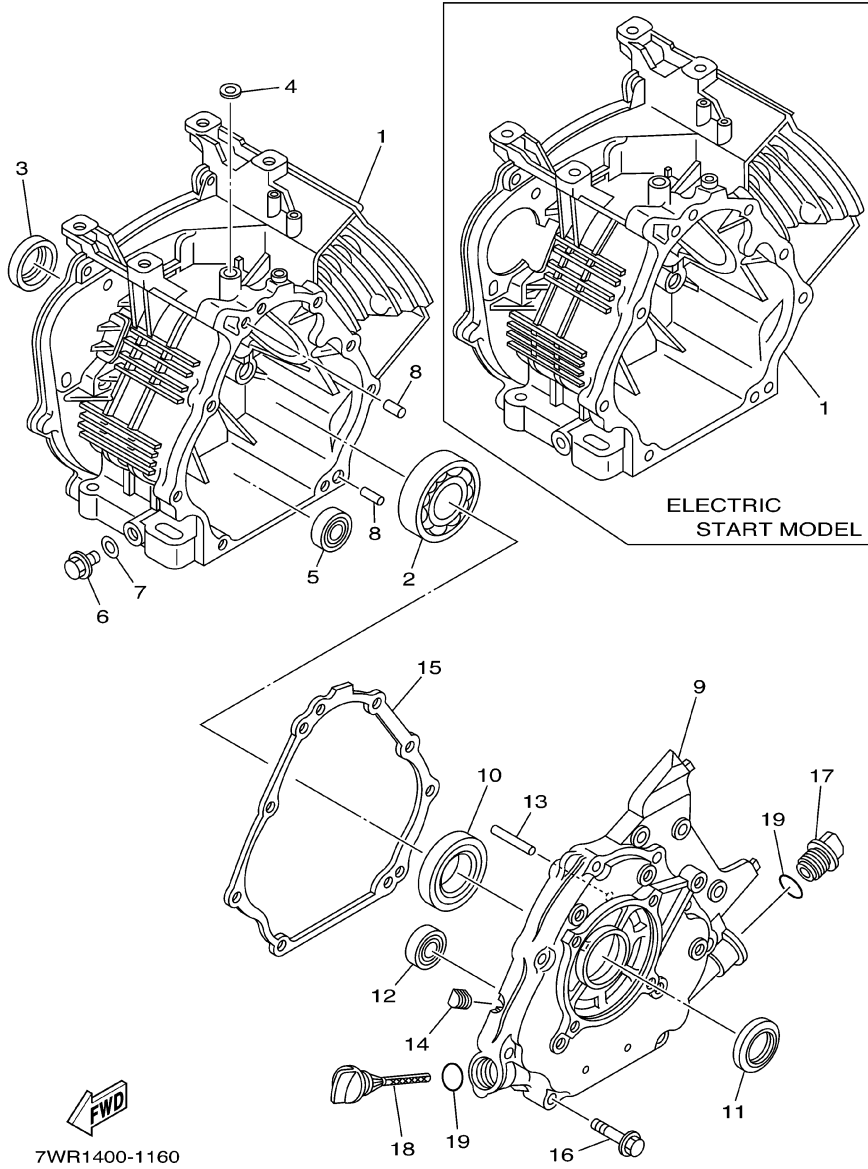
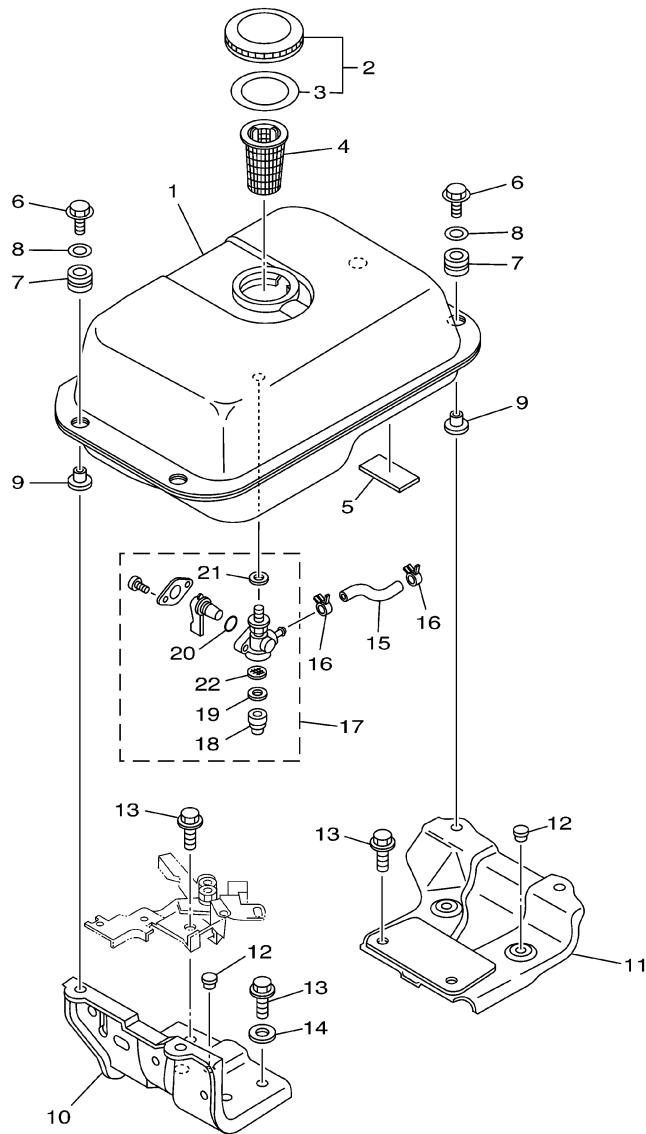


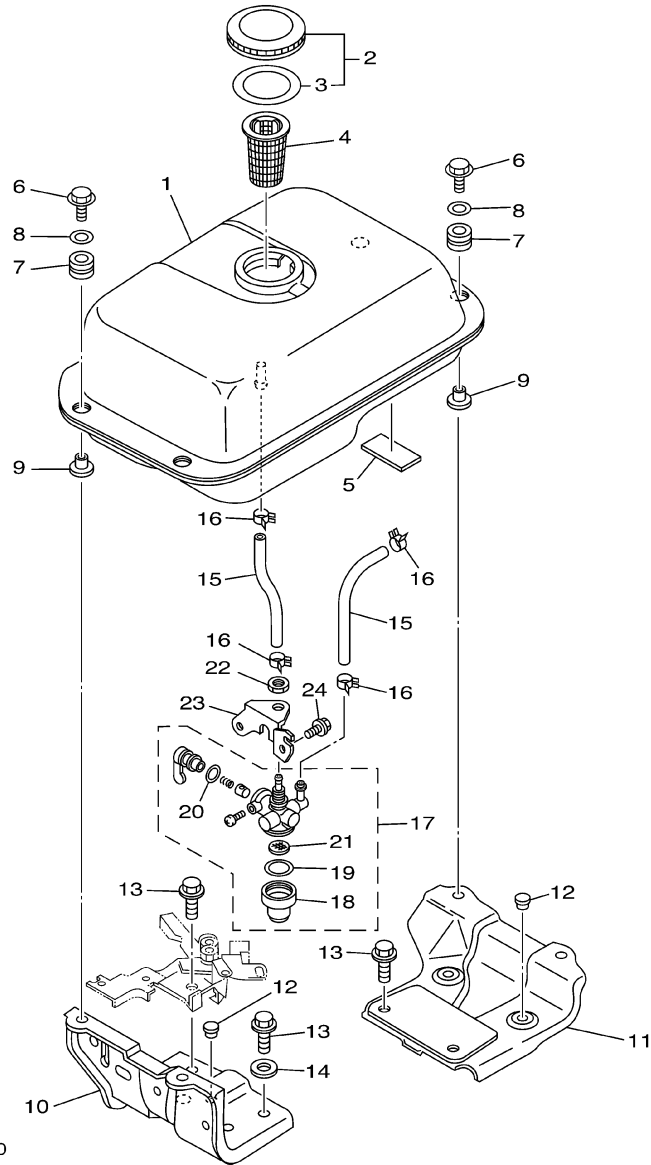
FIG. 18 FUEL TANK (EXCEPT FOR B1AT-VNM,C1AT-K,C1AT-VNM)



7WR1400-1180

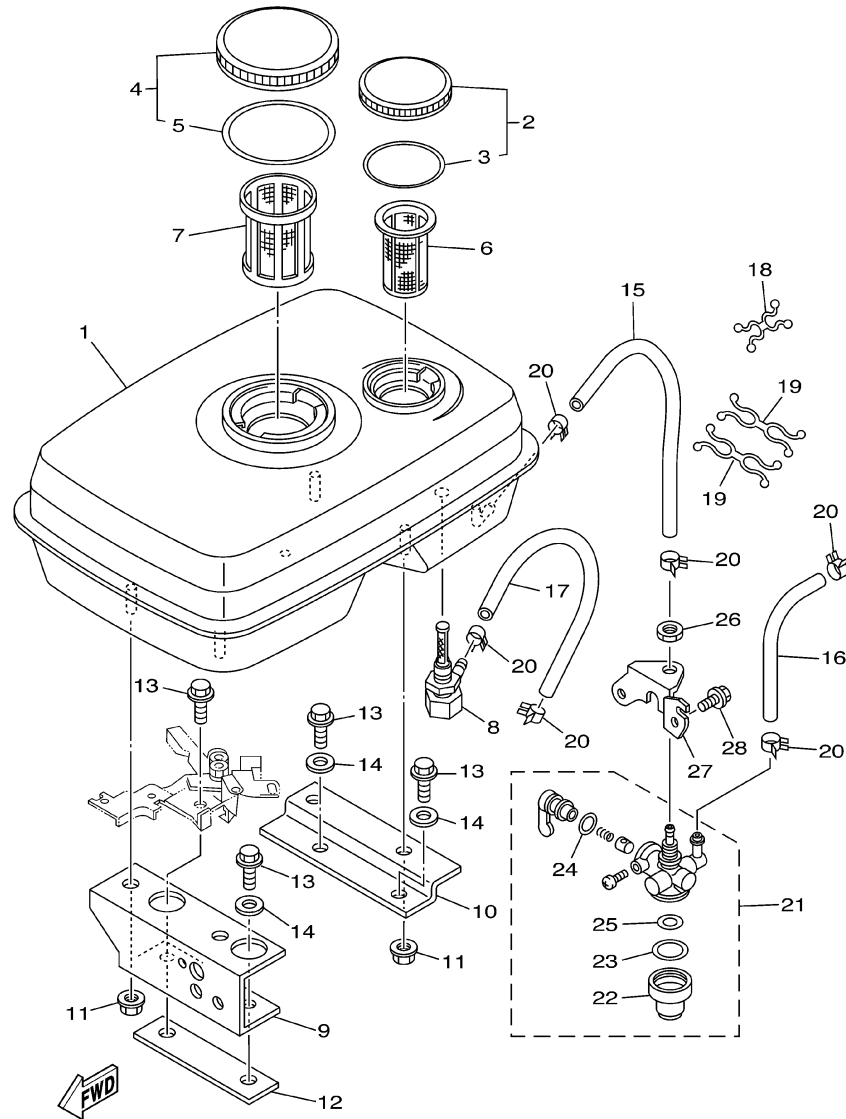
REF. NO.	PART NO.	DESCRIPTION	300	300R	360	360R	REMARKS
1	7RK-24110-01-NJ	FUEL TANK COMP.	1	1	1	1	FWB
2	7T9-24610-00	CAP ASSY	1	1	1	1	
3	7T9-24612-00	.GASKET, CAP	1	1	1	1	
4	730-24167-10	STRAINER	1	1	1	1	
5	7RK-24181-00	DAMPER, LOCATING 1	1	1	1	1	
6	95827-06020	BOLT, FLANGE	4	4	4	4	
7	90480-15235	GROMMET	4	4	4	4	
8	90201-06380	WASHER, PLATE	4	4	4	4	
9	90387-067K8	COLLAR	4	4	4	4	
10	7WT-24115-00	STAY, FUEL TANK 1	1	1	1	1	
11	7RK-24116-02	STAY, FUEL TANK	1	1	1	1	
12	90338-05251	PLUG	3	3	3	3	
13	95817-08020	BOLT, FLANGE	4	4	4	4	
14	90201-08102	WASHER, PLATE	1	1	1	1	
15	90445-10456	HOSE (L95)	1	1	1	1	
16	90467-09037	CLIP	2	2	2	2	
17	7NJ-24500-01	FUEL COCK ASSY 1	1	1	1	1	
18	7J3-24521-00	.CUP, FILTER	1	1	1	1	
19	4X8-24565-00	.GASKET	1	1	1	1	
20	7NJ-24534-00	.SEAL, COCK	1	1	1	1	
21	7NJ-24532-00	.GASKET	1	1	1	1	
22	7NJ-24515-01	.NET, FILTER 2	1	1	1	1	

**FIG. 19 FUEL TANK 2 (FOR B1AT-VNM,C1AT-VNM)**



7WR1400-1190

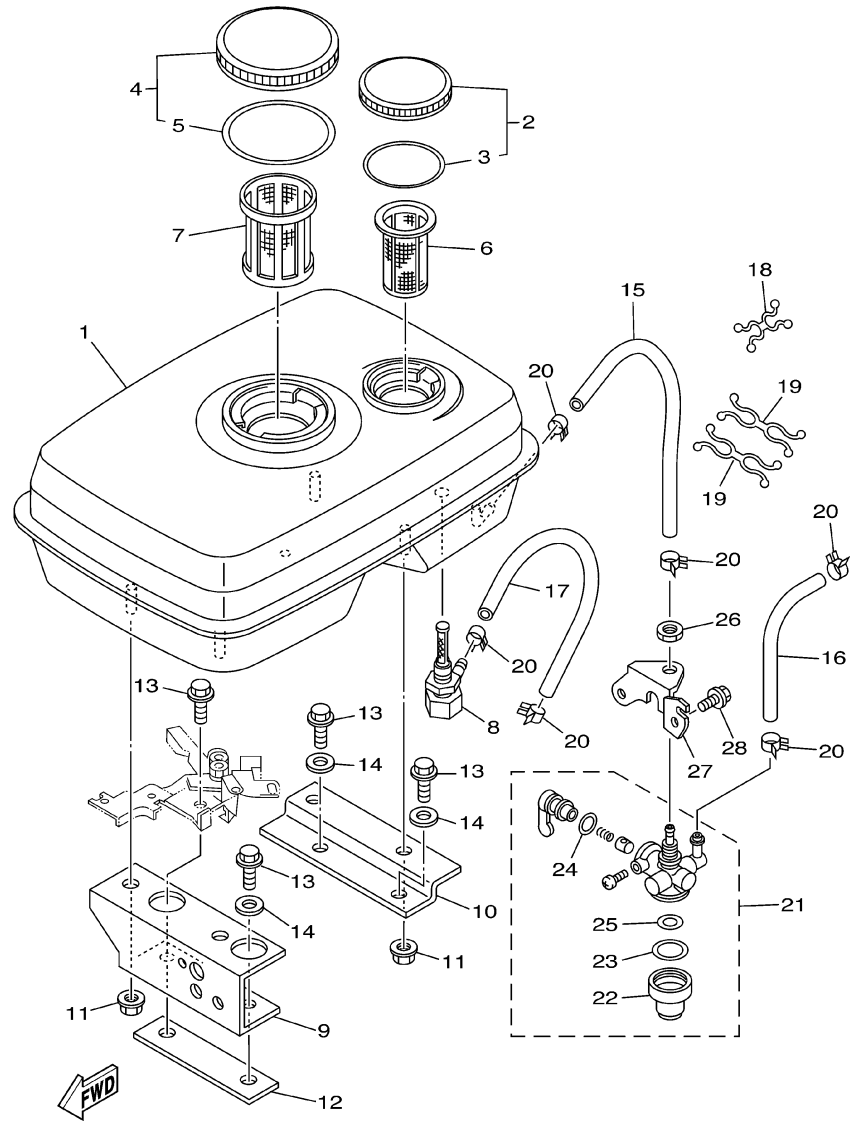
REF. NO.	PART NO.	DESCRIPTION	300	300R	360	360R	REMARKS
1	7RK-24110-31-NJ	FUEL TANK COMP.	1		1		FWB
2	7T9-24610-00	CAP ASSY	1		1		
3	7T9-24612-00	.GASKET, CAP	1		1		
4	730-24167-10	STRAINER	1		1		
5	7RK-24181-00	DAMPER, LOCATING 1	1		1		
6	95827-06020	BOLT, FLANGE	4		4		
7	90480-15235	GROMMET	4		4		
8	90201-06380	WASHER, PLATE	4		4		
9	90387-067K8	COLLAR	4		4		
10	7WT-24115-00	STAY, FUEL TANK 1	1		1		
11	7RK-24116-02	STAY, FUEL TANK	1		1		
12	90338-05251	PLUG	3		3		
13	95817-08020	BOLT, FLANGE	4		4		
14	90201-08102	WASHER, PLATE	1		1		
15	90445-100E9	HOSE (L155)	2		2		
16	90467-09037	CLIP	4		4		
17	7NN-24500-00	FUEL COCK ASSY 1	1		1		
18	7NN-24521-00	.CUP, FILTER	1		1		
19	7NN-24565-00	.GASKET	1		1		
20	7NN-24534-00	.SEAL, COCK	1		1		
21	7NN-24515-00	.NET, FILTER 2	1		1		
22	95307-10700	NUT	1		1		
23	7NN-24544-00	BRACKET, FUEL COCK	1		1		
24	95807-06008	BOLT, FLANGE	1		1		



7WR1400-1200

FIG. 20 FUEL 3 (FOR C1AT-K)

REF. NO.	PART NO.	DESCRIPTION	300	300R	360	360R	REMARKS
1	7RK-24110-20-NJ	FUEL TANK COMP.			1		FWB
2	7T9-24610-00	CAP ASSY			1		
3	7T9-24612-00	.GASKET, CAP			1		
4	74T-24610-00	CAP ASSY			1		
5	796-24612-00	.GASKET, CAP			1		
6	730-24167-10	STRAINER			1		
7	630-24167-00	STRAINER			1		
8	78G-24560-00	FILTER ASSY			1		
9	7RK-24115-10	STAY, FUEL TANK 1			1		
10	7RK-24116-10	STAY, FUEL TANK			1		
11	95707-08500	NUT, FLANGE			4		
12	7RK-24174-S0	SPACER 1			1		
13	95817-08020	BOLT, FLANGE			4		
14	90201-08102	WASHER, PLATE			3		
15	90445-107E7	HOSE (L370)			1		
16	90445-100E9	HOSE (L155)			1		
17	90445-10752	HOSE (L200)			1		
18	90464-10038	CLAMP			1		
19	90464-14134	CLAMP			2		
20	90467-09037	CLIP			6		
21	7NN-24500-00	FUEL COCK ASSY 1			1		
22	7NN-24521-00	.CUP, FILTER			1		
23	7NN-24565-00	.GASKET			1		
24	7NN-24534-00	.SEAL, COCK			1		
25	7NN-24515-00	.NET, FILTER 2			1		
26	95307-10700	NUT			1		
27	7NN-24544-00	BRACKET, FUEL COCK			1		



7WR1400-1200

FIG. 20 FUEL 3 (FOR C1AT-K)

REF. NO.	PART NO.	DESCRIPTION	300	300R	360	360R	REMARKS
28	95807-06008	BOLT, FLANGE			1		

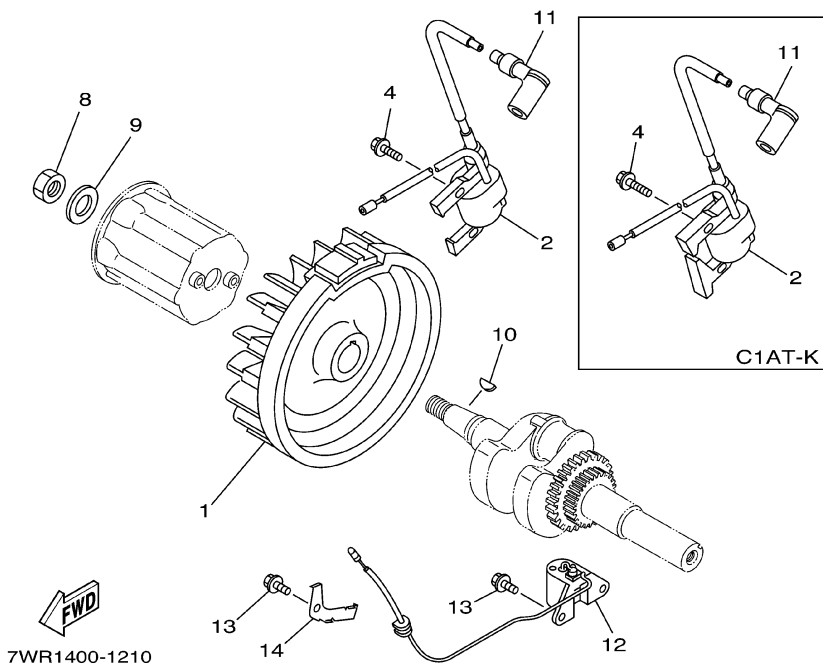
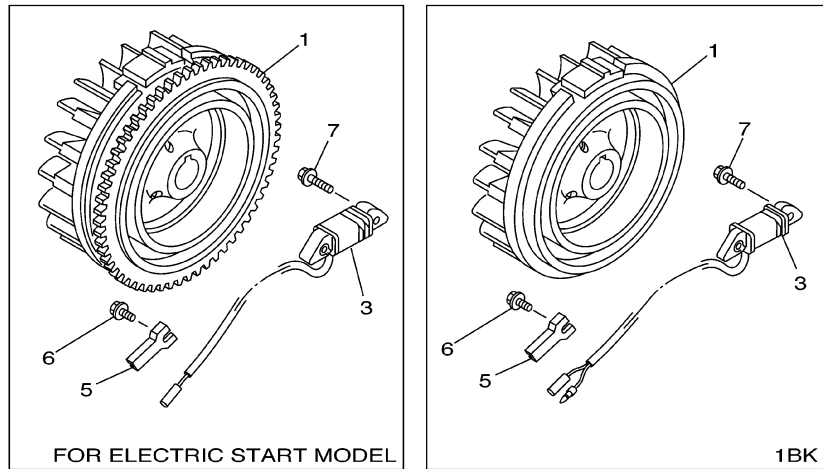
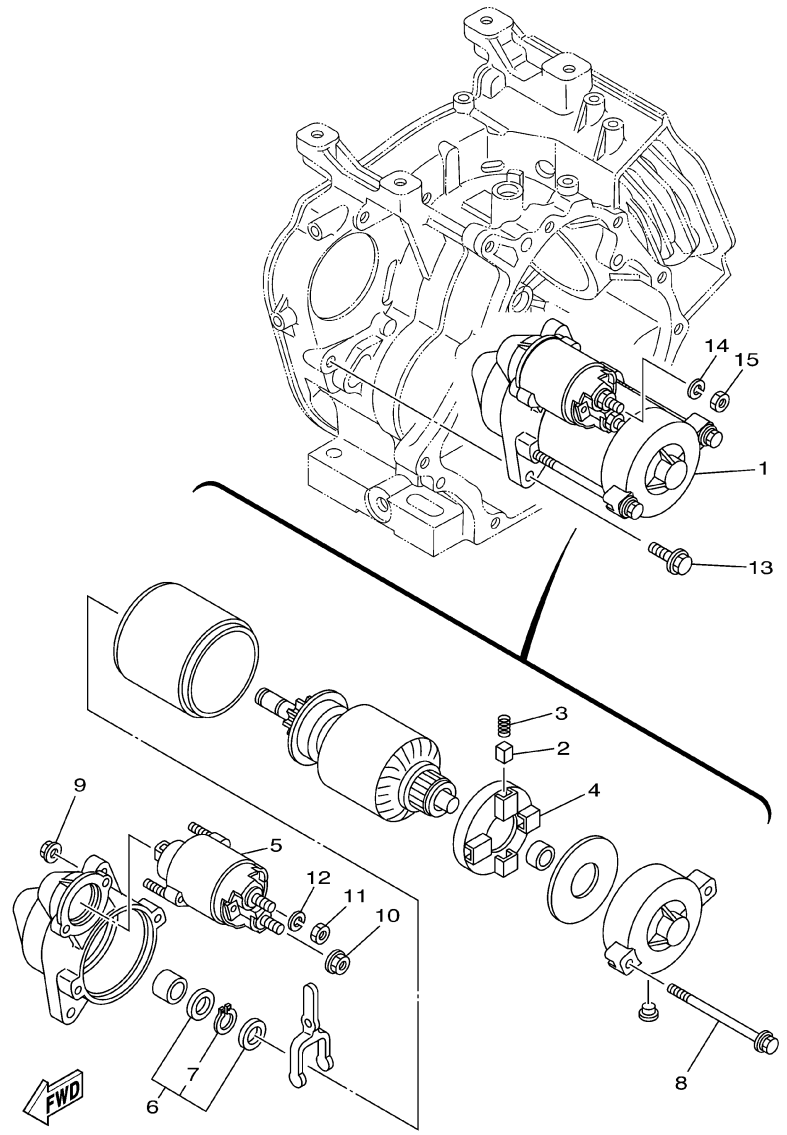


FIG. 21 MAGNETO

REF. NO.	PART NO.	DESCRIPTION	300	300R	360	360R	REMARKS
1	7WG-85650-00	ROTOR ASSY	1	1	1	1	
	7WH-85650-20	ROTOR ASSY	1				FOR 1BK
	7WG-85650-30	ROTOR ASSY			1		FOR C1AT-K
	7WH-85650-10	ROTOR ASSY	1	1	1	1	FOREL. START MODEL
2	7WG-85640-00	T.C.I. UNIT ASSY	1	1	1	1	
	7WG-85640-10	T.C.I. UNIT ASSY			1		FOR C1AT-K
3	7UJ-85521-10	COIL ASSY	1	1	1	1	FOREL. START MODEL
	7WH-85521-20	COIL ASSY	1				FOR 1BK
4	95880-06020	BOLT, FLANGE	2	2	2	2	
	95880-06025	BOLT, FLANGE			2		FOR C1AT-K
5	90462-06232	CLAMP	1	1	1	1	FOREL. START MODEL
6	95807-06012	BOLT, FLANGE	1	1	1	1	FOREL. START MODEL
7	95807-06025	BOLT, FLANGE	2	2	2	2	FOREL. START MODEL
	95807-06020	BOLT, FLANGE	2				FOR 1BK
8	90170-18391	NUT	1	1	1	1	
9	90201-180T9	WASHER, PLATE	1	1	1	1	
10	90280-04052	KEY, WOODRUFF	1	1	1	1	
11	JN6-82370-00	PLUG CAP ASSY	1	1	1	1	
	7NN-82370-10	PLUG CAP ASSY	1		1		FOR B1AT-VNM, C1AT-K, C1AT-VNM
12	7RH-85720-02	OIL LEVEL GAUGE ASSY	1	1	1	1	EXCEPT FOR 1, 1B, 1C, 1BK, B1AT-VNM,*
13	95827-06012	BOLT, FLANGE	3	3	3	3	EXCEPT FOR 1, 1B, 1C, 1BK, B1AT-VNM,*
14	7NJ-85724-00	CLAMP	1	1	1	1	EXCEPT FOR 1, 1B, 1C, 1BK, B1AT-VNM,*
							*C1AT-K, C1AT-VNM

FIG. 22 STARTING MOTOR (ELECTRIC START MODEL)

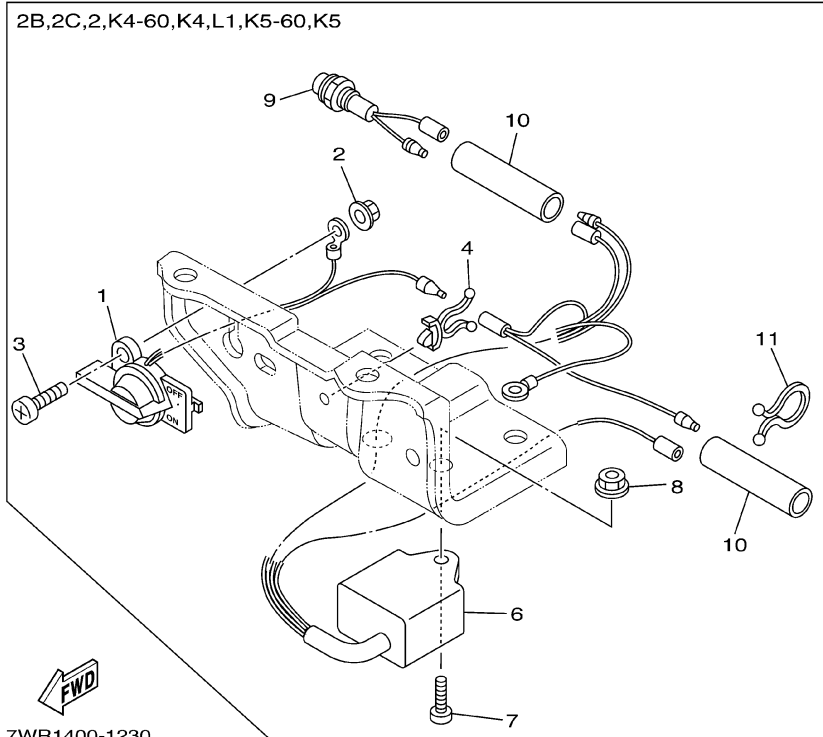
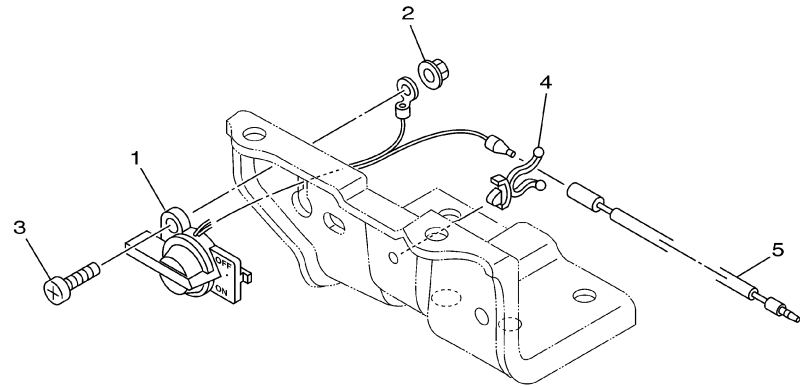


7UH1110-0191

REF. NO.	PART NO.	DESCRIPTION	300	300R	360	360R	REMARKS
1	7UJ-81800-00	STARTING MOTOR ASSY	1	1	1	1	
2	JE8-81812-00	.BRUSH 2	4	4	4	4	
3	JE8-81813-00	.SPRING, BRUSH	4	4	4	4	
4	JE8-81840-00	.BRUSH HOLDER ASSY	1	1	1	1	
5	JE8-81870-00	.STARTING SWITCH ASSY	1	1	1	1	
6	7UJ-81833-00	.RING, STOP	1	1	1	1	
7	JE8-81834-00	.RING	1	1	1	1	
8	JE8-81826-00	.BOLT	2	2	2	2	
9	95302-06600	.NUT	2	2	2	2	
10	95302-08700	.NUT	1	1	1	1	
11	95302-08600	.NUT	1	1	1	1	
12	92902-08100	.WASHER, SPRING	1	1	1	1	
13	95807-08025	BOLT, FLANGE	2	2	2	2	
14	92907-08100	WASHER, SPRING	1	1	1	1	
15	95307-08600	NUT	1	1	1	1	

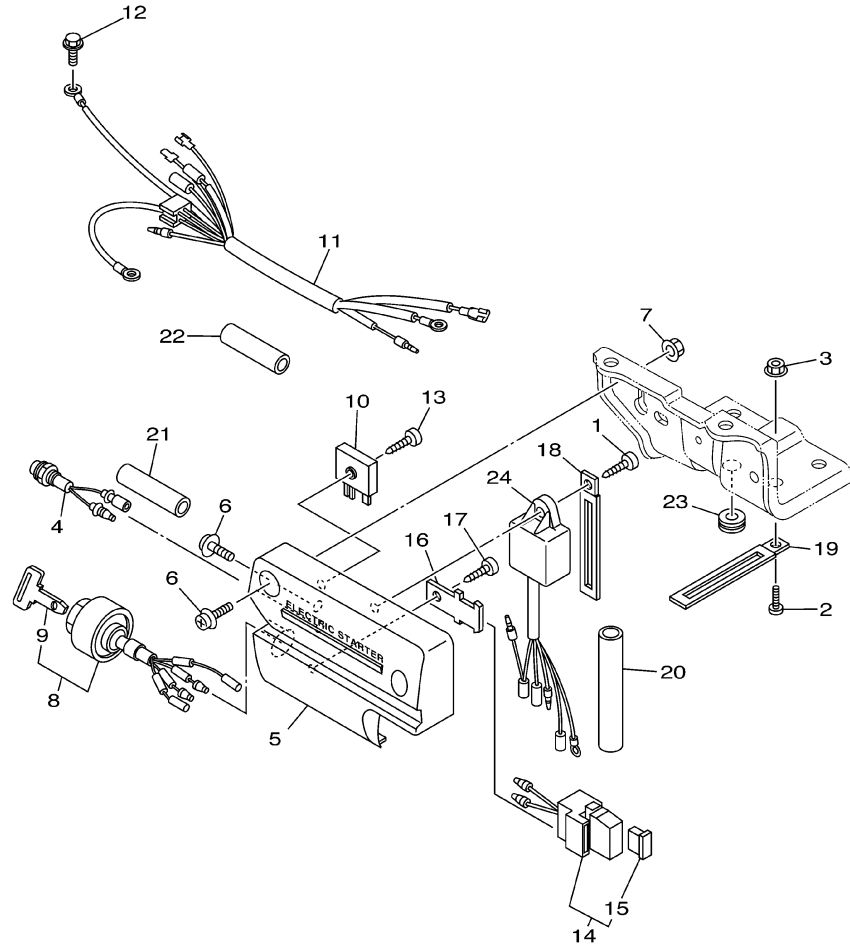


**FIG. 23 ELECTRICAL 1 (MANUAL START MODEL)**



REF. NO.	PART NO.	DESCRIPTION	300	300F	360	360F	REMARKS
1	7NN-82550-00	ENGINE STOP SWITCH ASSY	1	1	1	1	
2	95704-06500	NUT, FLANGE	1	1	1	1	
3	98507-06014	SCREW, PAN HEAD	1	1	1	1	
4	90464-07078	CLAMP	1	1	1	1	
5	7RK-82507-00	WIRE, LEAD	1	1	1	1	EXCEPT FOR 2B,2C,2,K4-60,K4,L1,K5-60,K5
6	7WG-85690-01	OIL WARNING UNIT	1	1	1	1	FOR 2B,2C,2,K4-60,K4,L1,K5-60,K5
7	98507-06020	SCREW, PAN HEAD	1	1	1	1	FOR 2B,2C,2,K4-60,K4,L1,K5-60,K5
8	95704-06500	NUT, FLANGE	1	1	1	1	FOR 2B,2C,2,K4-60,K4,L1,K5-60,K5
9	7NJ-85770-00	OIL PILOT LIGHT ASSY	1	1	1	1	FOR 2B,2C,2,K4-60,K4,L1,K5-60,K5
10	7RK-82139-00	TUBE	2	2	2	2	FOR 2B,2C,2,K4-60,K4,L1,K5-60,K5
11	90464-16039	CLAMP	1	1	1	1	FOR 2B,2C,2,K4-60,K4,L1,K5-60,K5

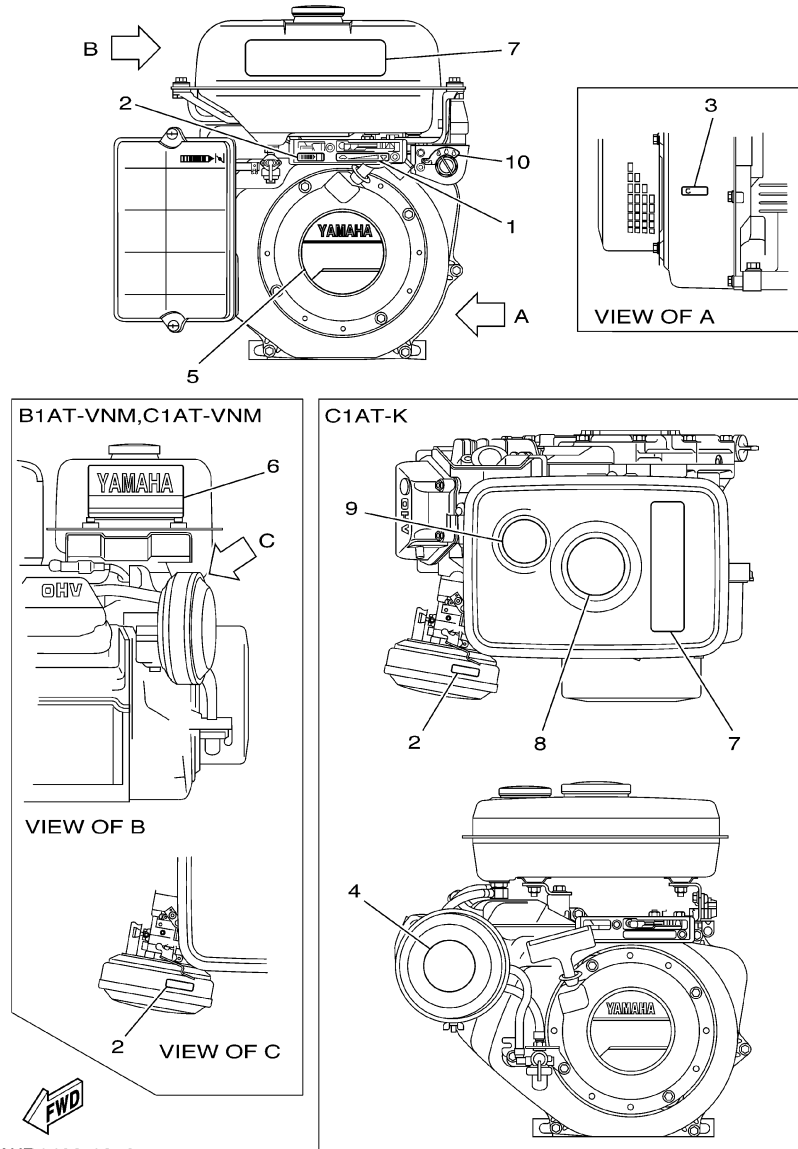
FIG. 24 ELECTRICAL 2 (EL.START MODEL)



7WR1400-1240

REF. NO.	PART NO.	DESCRIPTION	300	300R	360	360R	REMARKS
1	97707-60025	SCREW, TAPPING	1	1	1	1	
2	98507-06014	SCREW, PAN HEAD	1	1	1	1	
3	95704-06500	NUT, FLANGE	1	1	1	1	
4	7NJ-85770-00	OIL PILOT LIGHT ASSY	1	1	1	1	
5	7WH-82568-00	COVER, MAIN SWITCH	1	1	1	1	
<hr/>							
6	98907-06012	SCREW, BIND	3	3	3	3	
7	95704-06500	NUT, FLANGE	1	1	1	1	
8	7LP-82510-00	MAIN SWITCH ASSY	1	1	1	1	
9	73A-82511-00	.KEY, MAIN SWITCH	2	2	2	2	
10	353-81970-63	RECTIFIER ASSY	1	1	1	1	STANLEY
<hr/>							
11	7WH-82507-20	WIRE, LEAD	1	1	1	1	
12	95807-06012	BOLT, FLANGE	1	1	1	1	
13	97707-50120	SCREW, TAPPING	1	1	1	1	
14	4HF-82150-00	FUSE HOLDER ASSY	1	1	1	1	
15	42X-82151-00	.FUSE (10A-BL)	2	2	2	2	
<hr/>							
16	7RK-82588-00	PLATE	1	1	1	1	
17	97707-50112	SCREW, TAPPING	1	1	1	1	
18	90462-05061	CLAMP	1	1	1	1	
19	90462-05061	CLAMP	1	1	1	1	
20	7RK-82589-00	PROTECTOR, WIRE HARNESS	1	1	1	1	
<hr/>							
21	7RK-82589-10	PROTECTOR, WIRE HARNESS	1	1	1	1	
22	7RK-82139-00	TUBE	1	1	1	1	
23	90480-13018	GROMMET	1	1	1	1	
24	7WG-85690-01	OIL WARNING UNIT	1	1	1	1	
<hr/>							

FIG. 25 EMBLEM. LABEL

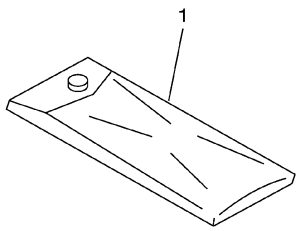


7WR1400-1250

REF. NO.	PART NO.	DESCRIPTION	300	300R	360	360R	REMARKS
1	7RK-24154-00	INDICATOR, SHIFT	1	1	1	1	
2	7RK-24155-00	INDICATOR, CHOKE	1	1	1	1	
3	7MJ-24237-00	MARK(C N432)	1	1	1	1	
4	7V0-21783-W0	EMBLEM 3			1		FOR C1AT-K
5	7RJ-12629-00	EMBLEM (MZ300)	1	1			
	7RJ-12629-10	EMBLEM (MZ300)	1				FOR B1AT-VNM
	7RK-12629-00	EMBLEM (MZ360)			1	1	
	7RK-12629-10	EMBLEM (MZ360K)			1		FOR C1AT-K
	7RK-12629-20	EMBLEM (MZ360)			1		FOR C1AT-VNM
6	7RK-24161-00	EMBLEM 1 (YAMAHA)	2	2			FOR B1AT-VNM, C1AT-VNM
7	73T-24162-31	EMBLEM 2 (WARNING)	1	1	1	1	
8	7T9-24235-00	MARK 1 (KEROSENE)			1		FOR C1AT-K
9	7K3-21788-00	GRAPHIC (GASOLINE ONLY)			1		FOR C1AT-K
10	7RK-24156-00	INDICATOR, STARTER LEVER	1	1	1	1	FOREL. START MODEL

**FIG. 26 BODY FITTING**

REF. NO.	PART NO.	DESCRIPTION	300	300R	360	360R	REMARKS
1	7LV-28100-00	TOOL KIT	1	1	1	1	



7WR1400-1260

NUMERICAL INDEX

PARTNO.	REF. NO.	PARTNO.	REF. NO.	PARTNO.	REF. NO.	PARTNO.	REF. NO.	PARTNO.	REF. NO.	PARTNO.	REF. NO.
7WE-11111-00	1 - 1	447-11633-00	4 - 3	7RK-12629-10	25 - 5	7RG-14162-00	13 - 16	7X9-14239-00	14 - 10	796-15363-01	17 - 16
7WG-11111-00	1 - 1	583-11633-00	3 - 3	7RK-12629-20	25 - 5	7RK-14162-00	14 - 19	7RH-14411-01	8 - 4	7RK-15411-00	16 - 9
7RH-11166-00	1 - 12		4 - 3	7RH-12651-01	7 - 3	7T9-14167-00	14 - 26	7RK-14411-00	10 - 4	7RK-15411-10	17 - 9
7RK-11166-00	1 - 12	JN6-11635-00	3 - 1	7RH-13557-00	8 - 2	7V0-14171-00	14 - 25	7RK-14411-20	9 - 4	7RK-15418-00	17 - 19
JN6-11168-00	1 - 8		4 - 1		9 - 2	7T9-14179-00	14 - 17	7RH-14412-01	8 - 5	7RH-15451-01	16 - 15
7RH-11169-00	1 - 9	7RH-11635-00	3 - 1		10 - 2	796-14184-00	11 - 13	7RK-14412-00	10 - 5		17 - 14
7WE-11181-00	1 - 2		4 - 1	7RH-13567-00	8 - 3		12 - 13	7RH-14429-00	8 - 8	7RK-15453-00	17 - 23
7WG-11181-00	1 - 2	7RK-11635-00	3 - 1		9 - 3		13 - 13	7RH-14451-00	8 - 7	7RH-15710-00	7 - 4
7WT-11181-00	1 - 2	JN6-11636-00	3 - 1		10 - 3		14 - 11	7RK-14451-10	8 - 7	7RJ-15710-S0	7 - 4
7WG-11190-00	1 - 7		4 - 1	7RH-13596-10	8 - 1	JN6-14185-00	11 - 14	7RK-14451-20	9 - 6	7RH-15711-00	7 - 5
7RH-11191-01	1 - 7	7RH-11636-00	3 - 1		9 - 1		12 - 14	75G-14451-00	10 - 7	7RJ-15711-S0	7 - 5
JN6-11193-00	1 - 10		4 - 1		10 - 1		13 - 14	7RK-14461-10	8 - 9	7RH-15713-00	7 - 7
812-11198-00	16 - 7	7RK-11636-00	3 - 1	7RJ-14101-00	11 - 1		14 - 12	7RK-14461-20	9 - 7	7RH-15714-00	7 - 6
	17 - 7	JN6-11650-00	3 - 5	7RJ-14101-10	11 - 1	22F-14186-00	11 - 18	7RK-14462-10	8 - 10	7RH-15715-00	7 - 10
7RK-11355-00	1 - 14		4 - 5	7RJ-14101-20	13 - 1		12 - 18	7RH-14468-00	8 - 6	7RH-15716-00	7 - 9
7WE-11400-00	2 - 1	JN6-11654-00	3 - 6	7RJ-14101-50	12 - 1		13 - 18	7RK-14468-20	9 - 5	7RH-15723-00	7 - 16
7WE-11400-10	2 - 1		4 - 6	7RJ-14101-60	13 - 1		14 - 14	7RK-14472-00	10 - 6	7RH-15741-00	7 - 8
7WG-11400-00	2 - 1	7RH-11913-00	5 - 2	7RK-14101-00	11 - 1	7E1-14191-00	11 - 6	7LV-14477-00	8 - 11	JK4-15743-00	7 - 11
7WG-11400-40	2 - 1	7FK-11914-00	5 - 3	7RK-14101-10	11 - 1		12 - 6	7RH-14486-00	11 - 3	7RH-15751-00	7 - 13
7WG-11400-50	2 - 1	7KY-11917-00	5 - 7	7RK-14101-21	14 - 1		13 - 6		12 - 3	7RJ-15751-S0	7 - 13
7WR-11400-00	2 - 1	7RH-11922-00	5 - 8	7RK-14101-40	13 - 1	7T9-14191-00	14 - 24		13 - 3	7RH-15755-00	7 - 14
7WR-11400-10	2 - 1	7RK-11924-10	5 - 11	7RK-14101-50	12 - 1	127-14198-00	11 - 15		14 - 3	7NJ-15793-00	7 - 12
7WT-11400-10	2 - 1	7RK-11925-01	5 - 21	7RK-14101-60	13 - 1		12 - 15	7KY-14613-01	15 - 9	7V0-21783-W0	25 - 4
7RK-11434-00	4 - 8	7RK-11925-20	5 - 21	4CW-14117-00	11 - 11		13 - 15	7RK-14708-00	15 - 4	7K3-21788-00	25 - 9
7WG-11454-00	3 - 7	7RH-11928-00	5 - 15		12 - 11	7LV-14211-00	11 - 4	7RK-14711-03	15 - 1	7RK-24110-01-NJ	18 - 1
	4 - 7	7UH-11932-00	5 - 24		13 - 11		12 - 4	7LR-14786-00	15 - 2	7RK-24110-20-NJ	20 - 1
7RK-11455-00	4 - 12	7RK-11950-11	5 - 17		14 - 9		13 - 4	1WG-14922-00	11 - 20	7RK-24110-31-NJ	19 - 1
7RK-11465-00	4 - 13	77Y-11950-01	5 - 22	73A-1414G-00	11 - 9	73A-14212-00	11 - 5		12 - 20	7RK-24115-10	20 - 9
7RK-11557-00	4 - 10	7RH-11970-00	5 - 1		12 - 9		12 - 5		13 - 20	7WT-24115-00	18 - 10
7RK-11561-00	3 - 8	7RH-11971-00	16 - 13		13 - 9		13 - 5		14 - 20		19 - 10
7RH-11603-00	3 - 2		17 - 12		14 - 7		14 - 4	7LW-14941-53	11 - 8	7RK-24116-02	18 - 11
	4 - 2	JN6-12111-01	6 - 2	620-1414J-24	11 - 7	7RH-14216-00	11 - 2	7RK-14941-67	14 - 6		19 - 11
7RH-11604-00	3 - 2	J38-12117-01	6 - 6		12 - 7		12 - 2	7RK-14945-00	14 - 16	7RK-24116-10	20 - 10
	4 - 2	J38-12118-00	6 - 7		13 - 7		13 - 2	7RK-1495N-6A	12 - 8	7RK-24154-00	25 - 1
7RH-11605-00	3 - 2	4G0-12119-00	6 - 13	620-1414J-25	14 - 5		14 - 2		13 - 8	7RK-24155-00	25 - 2
	4 - 2	7RH-12121-00	6 - 3	620-14142-57	12 - 7	78A-14227-00	14 - 18	341-14952-00	14 - 23	7RK-24156-00	25 - 10
JN6-11610-00	3 - 2	JN6-12151-00	6 - 8		13 - 7	3G2-1423A-70	13 - 10	4DG-14987-00	14 - 22	7RK-24161-00	25 - 6
	4 - 2	JN6-12153-00	6 - 4	620-14142-62	11 - 7	3G2-1423A-71	13 - 10	7WE-15111-00	16 - 1	73T-24162-31	25 - 7
JN6-11610-10	3 - 2	JN6-12154-00	6 - 12	73A-14150-00	11 - 21	3G2-1423A-72	11 - 10		17 - 1	630-24167-00	20 - 7
	4 - 2	J38-12156-00	6 - 11		12 - 21	1HX-1423E-45	14 - 8	7WE-15111-10	16 - 1	730-24167-10	18 - 4
JN6-11610-20	3 - 2	22F-12159-00	6 - 9		13 - 21	3G2-1423E-40	13 - 10		17 - 1		19 - 4
	4 - 2	7WG-12170-00	6 - 1		14 - 21	3G2-1423E-42	13 - 10	7WG-15111-00	16 - 1		20 - 6
JN6-11631-00-A0	3 - 1	7WG-12621-00	7 - 1	7EG-14159-00	11 - 19	3G2-14231-20	11 - 10		17 - 1	7RK-24174-S0	20 - 12
	4 - 1	7WG-12621-10	7 - 1		12 - 19		12 - 10	7WG-15111-10	16 - 1	7RK-24181-00	18 - 5
7RH-11631-00-A0	3 - 1	7WG-12621-20	7 - 1		13 - 19	3G2-14231-21	12 - 10		17 - 1		19 - 5
	4 - 1	7RJ-12629-00	25 - 5		14 - 15	7X9-14239-00	11 - 12	7RK-15362-00	16 - 18	7T9-24235-00	25 - 8
7RK-11631-00-A0	3 - 1	7RJ-12629-10	25 - 5	7RG-14162-00	11 - 16		12 - 12		17 - 17	7MJ-24237-00	25 - 3
447-11633-00	3 - 3	7RK-12629-00	25 - 5		12 - 16		13 - 12	796-15363-01	16 - 17	7NJ-24500-01	18 - 17

NUMERICAL INDEX

PART NO.	REF. NO.	PART NO.	REF. NO.	PART NO.	REF. NO.	PART NO.	REF. NO.	PART NO.	REF. NO.	PART NO.	REF. NO.
7NN-24500-00	19 - 17	73A-82511-00	24 - 9	90340-12097	17 - 6	93440-06107	5 - 5	95880-06025	21 - 4		
	20 - 21	7NN-82550-00	23 - 1	90387-067K8	18 - 9	93450-21053	3 - 4	97027-06030	5 - 12		
7NJ-24515-01	18 - 22	7WH-82568-00	24 - 5		19 - 9		4 - 4	97707-40506	15 - 3		
7NN-24515-00	19 - 21	7RK-82588-00	24 - 16	90445-100E9	19 - 15	93501-08001	11 - 17	97707-50112	24 - 17		
	20 - 25	7RK-82589-00	24 - 20		20 - 16		12 - 17	97707-50120	24 - 13		
7J3-24521-00	18 - 18	7RK-82589-10	24 - 21	90445-10456	18 - 15		13 - 17	97707-60025	24 - 1		
7NN-24521-00	19 - 18	7UJ-85521-10	21 - 3	90445-107E7	20 - 15		14 - 13	98507-04006	5 - 25		
	20 - 22	7WH-85521-20	21 - 3	90445-10752	20 - 17	94702-00331	1 - 6	98507-05010	7 - 18		
7NJ-24532-00	18 - 21	7WG-85640-00	21 - 2	90462-05061	24 - 18	95302-06600	22 - 9	98507-05012	5 - 23		
7NJ-24534-00	18 - 20	7WG-85640-10	21 - 2		24 - 19	95302-08600	22 - 11	98507-05025	5 - 18		
7NN-24534-00	19 - 20	7WG-85650-00	21 - 1	90462-06232	21 - 5	95302-08700	22 - 10	98507-05030	5 - 18		
	20 - 24	7WG-85650-30	21 - 1	90464-07078	23 - 4	95307-08600	15 - 8	98507-06014	23 - 3		
7NN-24544-00	19 - 23	7WH-85650-10	21 - 1	90464-10038	20 - 18		22 - 15		24 - 2		
	20 - 27	7WH-85650-20	21 - 1	90464-14134	20 - 19	95307-10700	19 - 22	98507-06020	23 - 7		
78G-24560-00	20 - 8	7WG-85690-01	23 - 6	90464-16039	23 - 11		20 - 26	98907-06012	24 - 6		
4X8-24565-00	18 - 19		24 - 24	90467-09037	18 - 16	95607-08700	1 - 13	99001-04600	5 - 26		
7NN-24565-00	19 - 19	7RH-85720-02	21 - 12		19 - 16	95627-08618	1 - 5	99530-08016	16 - 8		
	20 - 23	7NJ-85724-00	21 - 14		20 - 20	95704-06500	23 - 2		17 - 8		
7T9-24610-00	18 - 2	7NJ-85770-00	23 - 9	90468-12006	5 - 10		23 - 8		17 - 25		
	19 - 2		24 - 4	90480-13018	24 - 23		24 - 3	99530-14016	1 - 4		
	20 - 2	90105-10445	4 - 11	90480-15235	18 - 7		24 - 7				
74T-24610-00	20 - 4	90116-08623	1 - 13		19 - 7	95707-08500	8 - 12				
7T9-24612-00	18 - 3	90170-05302	6 - 10	90501-090A8	5 - 19		9 - 8				
	19 - 3	90170-18391	21 - 8	90501-264A9	6 - 5		20 - 11				
	20 - 3	90173-06017	5 - 14	90506-04421	7 - 20	95807-06008	7 - 15				
796-24612-00	20 - 5	90175-06012	10 - 8	90506-04458	5 - 16		19 - 24				
7LV-28100-00	26 - 1	90183-06036	5 - 20	90506-07412	5 - 27		20 - 28				
7RK-41240-02	5 - 17	90201-06380	18 - 8	92902-08100	22 - 12	95807-06012	7 - 2				
7RK-41256-00	7 - 19		19 - 8	92907-06600	5 - 13		21 - 6				
7RK-41266-00	7 - 17	90201-065K7	5 - 4	92907-08100	22 - 14		24 - 12				
7UJ-81800-00	22 - 1	90201-06557	10 - 9	93102-30195	17 - 22	95807-06016	8 - 13				
JE8-81812-00	22 - 2	90201-067L0	5 - 6	93102-35191	16 - 3	95807-06020	21 - 7				
JE8-81813-00	22 - 3	90201-08092	5 - 9		16 - 11	95807-06025	21 - 7				
JE8-81826-00	22 - 8	90201-08102	18 - 14		17 - 3	95807-08025	22 - 13				
7UJ-81833-00	22 - 6		19 - 14	93109-08050	16 - 4	95817-08020	18 - 13				
JE8-81834-00	22 - 7		20 - 14		17 - 4		19 - 13				
JE8-81840-00	22 - 4	90201-086A3	15 - 7	93210-22344	16 - 19		20 - 13				
JE8-81870-00	22 - 5	90201-180T9	21 - 9		17 - 18	95817-08045	16 - 16				
353-81970-63	24 - 10	90280-04052	21 - 10	93306-20201	16 - 5		17 - 15				
7RK-82139-00	23 - 10	90282-06037	2 - 2		16 - 12		17 - 24				
	24 - 22	90282-07021	4 - 9		17 - 5	95817-10070	1 - 3				
4HF-82150-00	24 - 14	90282-07061	2 - 2		17 - 11	95827-06008	15 - 5				
42X-82151-00	24 - 15		4 - 14		17 - 20	95827-06012	21 - 13				
JN6-82370-00	21 - 11	90338-05251	18 - 12	93306-20637	17 - 21	95827-06020	18 - 6				
7NN-82370-10	21 - 11		19 - 12	93306-20714	16 - 10		19 - 6				
7RK-82507-00	23 - 5	90338-06246	16 - 14		17 - 10	95827-06030	1 - 11				
7WH-82507-20	24 - 11		17 - 13	93306-30709	16 - 2	95827-08016	15 - 6				
7LP-82510-00	24 - 8	90340-12097	16 - 6		17 - 2	95880-06020	21 - 4				