

# PARTS CATALOG

Model

**ACCESS 3000 i**

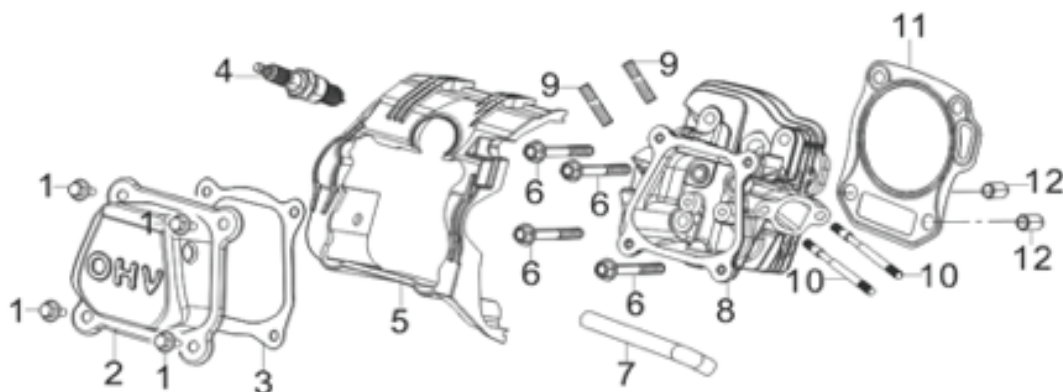
**Stage 2 / Stage 5**

(Moteur Stage 5 à partir du numero de série A1809001519)

janvier 26, 2022 4:21 PM

# ACCESS 3000 i

## FIG.1 HEAD SUBASSEMBLY, CYLINDER / PLUG, SPARK (E01)

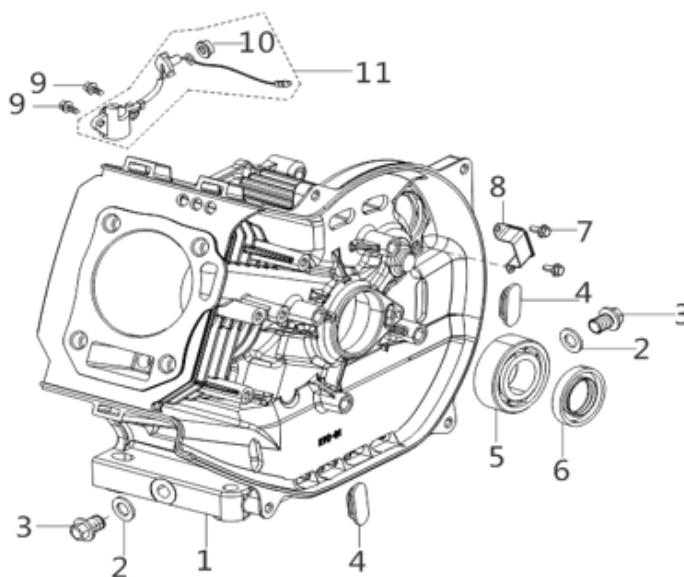


REF.NO.	PARTNO	DESCRIPTION	Q'TY STAGE 2	Q'TY STAGE 5 *
E01-1	90001-0612-01	BOLT	4	4
E01-2	12410-Z300120-0000	COVER SUBASSEMBLY, CYLINDER HEAD	1	1
E01-3	12004-Z010110-0000	GASKET, CYLINDER HEAD COVER	1	1
E01-4	30010-Z010110-0000	PLUG, SPARK	1	1
E01-5	19304HZ430110-0000	SHROUD, CYLINDER BODY	1	1
E01-6	12003-Z010110-0000	BOLT, CYLINDER HEAD	4	4
E01-7	17004-Z430110-0000	TUBE, BREATHER	1	1
E01-8	12140-Z430110-0000	HEAD SUBASSEMBLY, CYLINDER	1	1
E01-9	90203-Z010110-0000	BOLT	2	2
E01-10	90204-Z430110-0000	BOLT	2	2
E01-11	12131-Z140310-0000	GASKET, CYLINDER HEAD	1	1
E01-12	90502-1014-00	PIN	2	2

\* Moteur Stage 5 à partir du numero de série A1809001519

# ACCESS 3000 i

FIG.2 CRANKCASE. / GEAR ASSY, GOVERNOR. (E02)



REF.NO.	PARTNO	DESCRIPTION	Q'TY STAGE 2	Q'TY STAGE 5 *
E02-1	11310-Z430120-0000	CRANKCASE SUBASSEMBLY.	1	1
E02-2	90408-Z010110-0000	WASHER, FLAT	2	2
E02-3	11007-Z010110-0000	BOLT, DRAIN PLUG	2	2
E02-4	90722-Z430110-0000	PLUG, END	2	2
E02-5	90547-0205-KS	BEARING DEEP GROOVE BALL	1	1
E02-6	90682-Z010110-0000	SEAL, OIL	1	1
E02-7	90001-0510-01	BOLT	2	2
E02-8	30033-Z150130-0000	CLAMP, GENERATOR LEAD WIRE	1	1
E02-9	90001-0616-01	BOLT	2	2
E02-10	90305-Z010210-01	NUT	1	1
E02-11	37060-Z010120-0000	SENSOR, ENGINE OIL	1	1

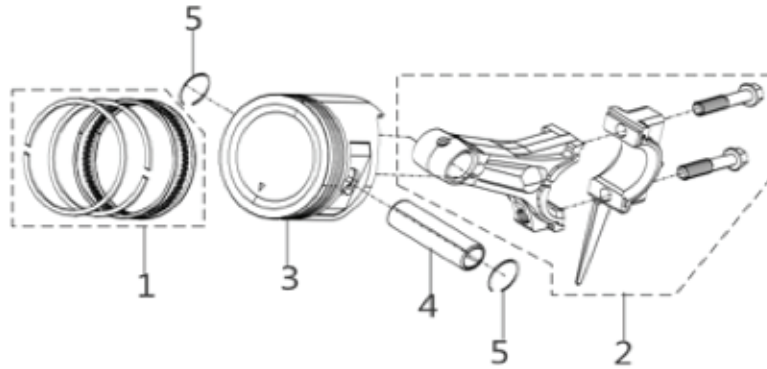
\* Moteur Stage 5 à partir du numero de série A1809001519





# ACCESS 3000 i

**FIG.5 RING SET, OIL / ROD,CRANKSHAFT CONNETING (E05)**

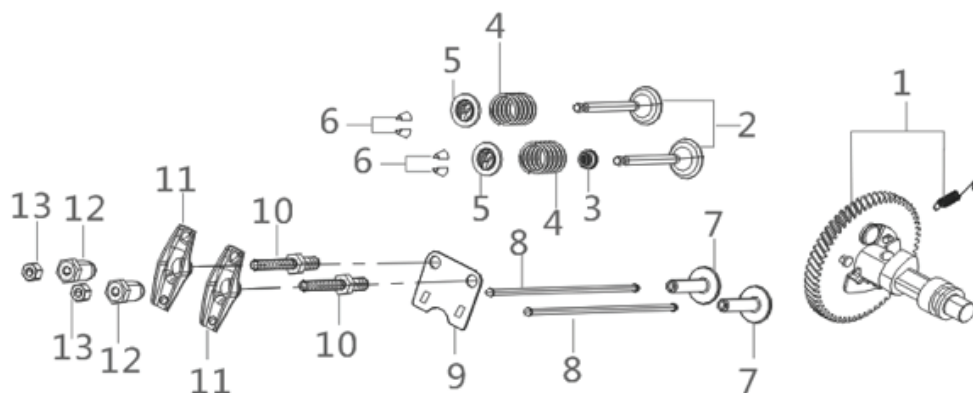


REF.NO.	PARTNO	DESCRIPTION	Q'TY STAGE 2	Q'TY STAGE 5 *
E05-1	13200-Z140210-0099	RING ASSY, PISTON	1	1
E05-2	13010-Z440210-0099	ROD, CONNECTING	1	1
E05-3	13111-Z140220-0099	PISTON	1	1
E05-4	13121-Z010110-0000	PIN, PISTON	1	1
E05-5	13122-Z010110-0000	CLIP, PISTON PIN	2	2

\* Moteur Stage 5 à partir du numero de série A1809001519

# ACCESS 3000 i

FIG.6 TRAIN,VALVE / CAMSHAFT SUBASSEMBLY (E06)

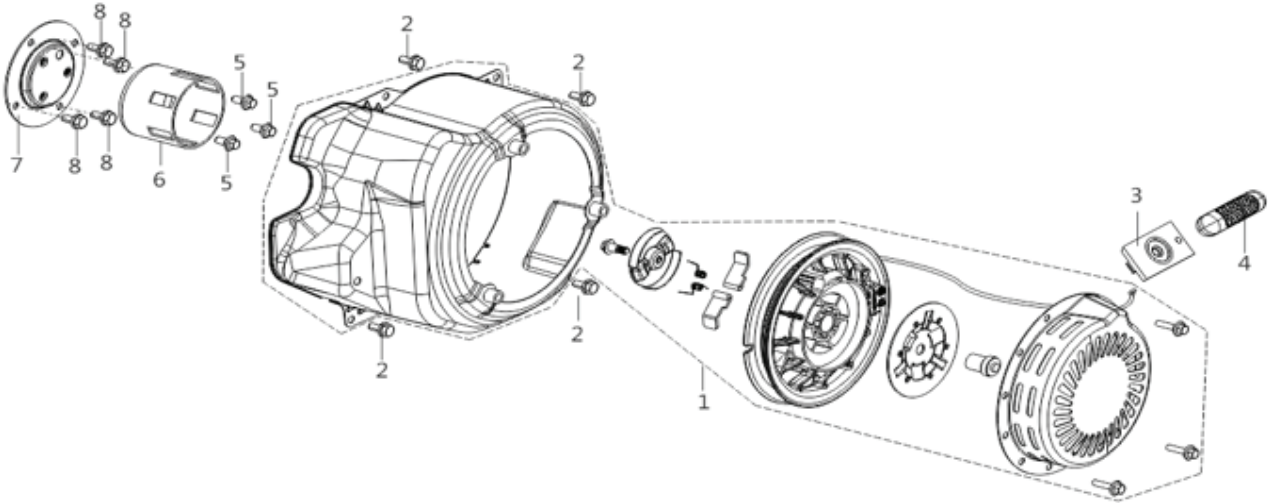


REF.NO.	PARTNO	DESCRIPTION	Q'TY STAGE 2	Q'TY STAGE 5 *
E06-1	14200-Z530510-0099	CAMSHAFT ASSY.	1	--
	14200-Z530520-0099	CAMSHAFT ASSY.	--	1
E06-2	12110-Z810120-0099	VALVES SET	1	1
E06-3	12101-Z810210-0000	GUIDE, SEAL	1	1
E06-4	12103-Z010110-0000	SPRING, VALVE	2	2
E06-5	12112-Z810210-0000	SEAT, VALVE SPRING	2	2
E06-6	12109-Z810110-0000	CLAMP, VALVE LOCK	4	4
E06-7	14081-Z040110-0000	TAPPET, VALVE	2	2
E06-8	14071-Z440110-0000	LIFTER, VALVE	2	2
E06-9	14090-Z010110-0000	PLATE SUBASSEMBLY, LIFTER STOPPER	1	1
E06-10	14313-Z010110-0000	BOLT, ROCKER SHAFT	2	2
E06-11	14311-Z010110-0000	ROCKER, VALVE	2	2
E06-12	14314-Z010110-0000	NUT VALVE ADJUSTING	2	2
E06-13	14312-Z010110-0000	NUT, VALVE LOCK	2	2

\* Moteur Stage 5 à partir du numero de série A1809001519

# ACCESS 3000 i

**FIG.7 STARTER, RECOIL (E07)**



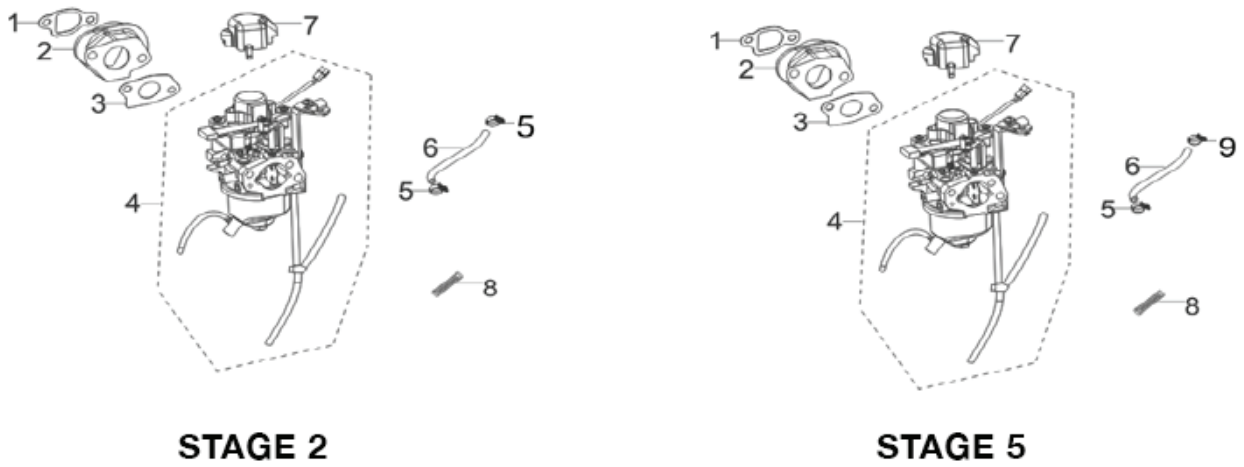
REF.NO.	PARTNO	DESCRIPTION	Q'TY STAGE 2	Q'TY STAGE 5 *
E07-1	28100-Z430110H6H6K	STARTER, RECOIL	1	1
E07-2	90001-0612-01	BOLT	4	4
E07-3	28004-Y2P0210-0000	GUIDE SUBASSEMBLY □ STARTING ROPE	1	1
E07-4	28210-Y2V0110-0000	HANDLE, RECOIL STRATER CABLE	1	1
E07-5	90001-0610-01	BOLT	3	3
E07-6	28002-Z150110-0000	PULLEY, STARTER	1	1
E07-7	28020-Z150120-0000	SEAT, STARTER CUP	1	1
E07-8	90001-0614-01	BOLT	4	4

\* Moteur Stage 5 à partir du numero de série A1809001519



# ACCESS 3000 i

**FIG.8 CARBURETOR ASSY. (E08)**

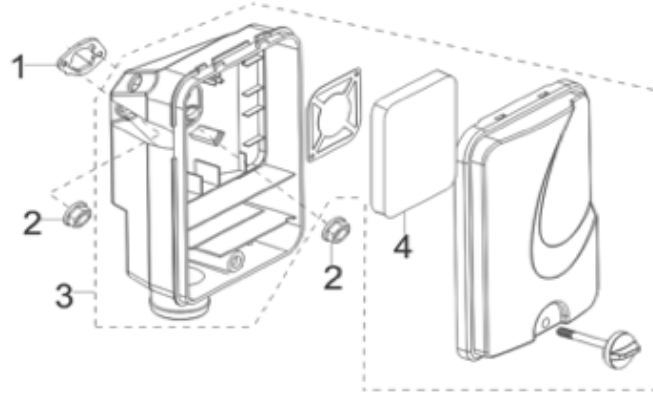


REF.NO.	PARTNO	DESCRIPTION	Q'TY STAGE 2	Q'TY STAGE 5 *
E08-1	16002-Z010110-0000	GASKET, CARBURETOR INSULATOR	1	1
E08-2	16003-Z430110-0000	PLATE, CARBURETOR INSULATOR	1	1
E08-3	16001-Z430110-0000	GASKET, CARBURETOR	1	1
E08-4	16100-Z430110-0000	CARBURETOR ASSY.	1	1
E08-5	90685-Z030510-0000	CLAMP	2	1
E08-6	90686-Z430110-0000	TUBE, FUEL	1	--
	90686-Z430110-0001	TUBE, FUEL	--	1
E08-7	14411-Y2V0110-0000	CAP	1	1
E08-8	16652-Z800110-0000	STRAINER□FUEL	1	1
E08-9	90685-Z020110-0000	CLAMP	--	1

\* Moteur Stage 5 à partir du numero de série A1809001519

# ACCESS 3000 i

FIG.9 CLEANER, AIR (E09)

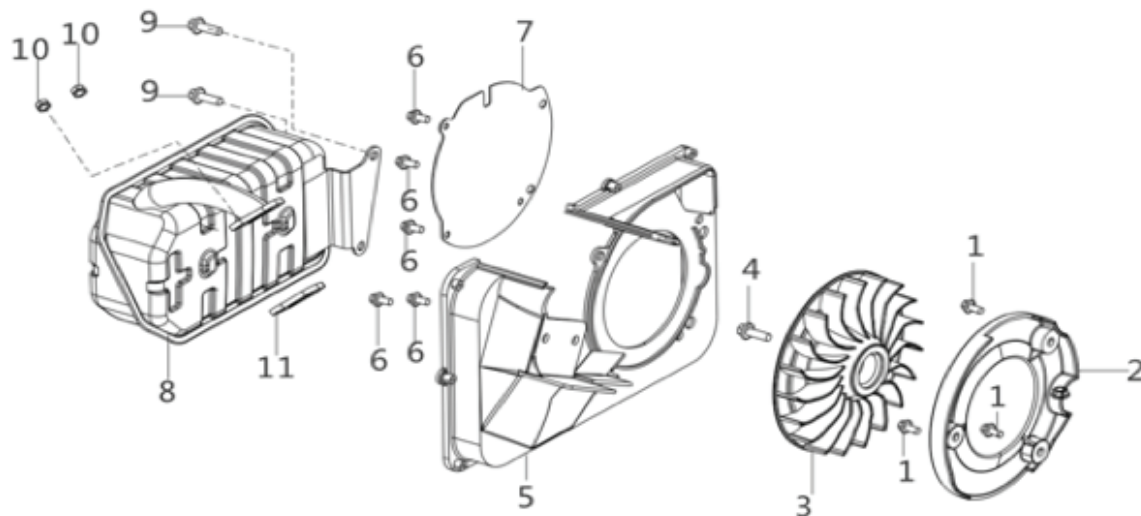


REF.NO.	PARTNO	DESCRIPTION	Q'TY STAGE 2	Q'TY STAGE 5 *
E09-1	17001-Z010110-0000	GASKET, AIR CLEANER	1	1
E09-2	90305-0600-31	NUT	2	2
E09-3	17100-Z430110-0003	CLEANER, AIR	1	1
E09-4	17151-Z430110-0000	ELEMENT, AIR CLEANER	1	1

\* Moteur Stage 5 à partir du numero de série A1809001519

# ACCESS 3000 i

**FIG.10 MUFFLER ASSY. (E10)**

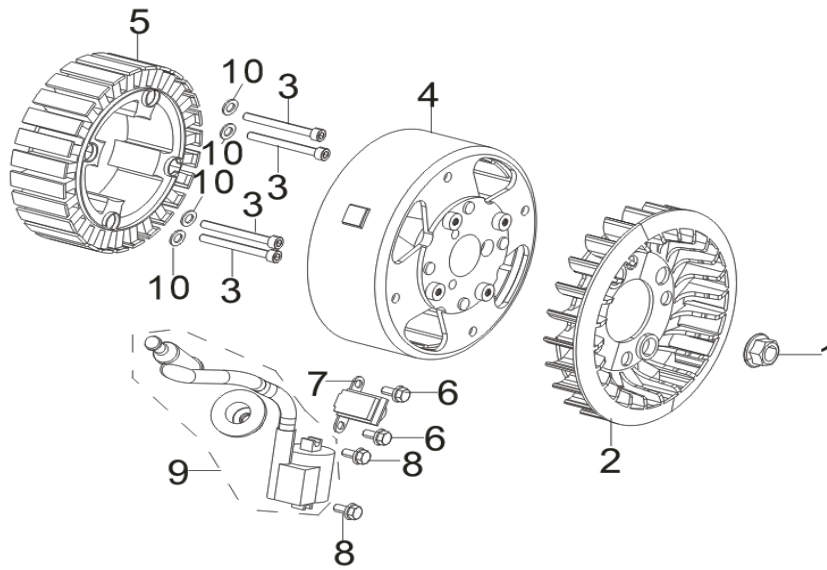


REF.NO.	PARTNO	DESCRIPTION	Q'TY STAGE 2	Q'TY STAGE 5 *
E10-1	90001-0612-01	BOLT	3	3
E10-2	28110-Y2P0110-0000	SHROUD	1	1
E10-3	19352-Y2P0110-0000	IMPELLER	1	1
E10-4	90001-0820-01	BOLT	1	1
E10-5	18020-Y2P0110-0000	PLATE, MUFFLER INSULATOR	1	1
E10-6	90001-0616-01	BOLT	5	5
E10-7	18192-Y2P0110-0000	CLAPBOARD, MUFFLER	1	1
E10-8	18100-Y2P0310-0000	MUFFLER ASSY.	1	1
E10-9	90001-0816-01	BOLT	2	2
E10-10	90303-0800-31	NUT	2	2
E10-11	18001-Z010110-0000	GASKET, EXHAUST OUTLET	1	1

\* Moteur Stage 5 à partir du numero de série A1809001519

# ACCESS 3000 i

FIG.11 FLYWHEEL / IMPELLER / STARTER PULLEY / IGNITION COIL (E11)

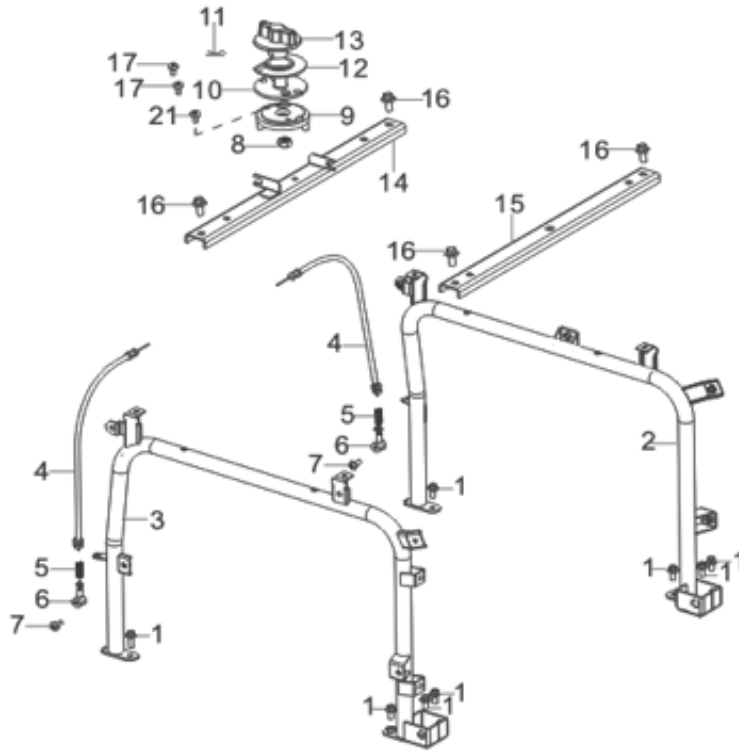


REF.NO.	PARTNO	DESCRIPTION	Q'TY STAGE 2	Q'TY STAGE 5 *
E11-1	13501-Z010110-0000	NUT, FLYWHEEL	1	1
E11-2	19352-Z150110-0000	IMPELLER	1	1
E11-3	90102-0660-06	screw	4	4
E11-4	30110-Y2P0120-0000	CASE SUBASSEMBLY, MAGNETO ROTOR	1	1
E11-5	30120-Y9H0410-0000	STATOR SUBASSEMBLY, MAGNETO	1	1
E11-6	90001-0516-01	BOLT	2	2
E11-7	30130-Z430110-0000	TRIGGER ASSY.	1	1
E11-8	90001-0520-01	BOLT	2	2
E11-9	30400-Z430310-0001	COIL, IGNITION	1	1
E11-10	90408-0600-E1	WASHER □ FLAT	--	4

\* Moteur Stage 5 à partir du numero de série A1809001519

# ACCESS 3000 i

FIG.12 FRAME (E12)

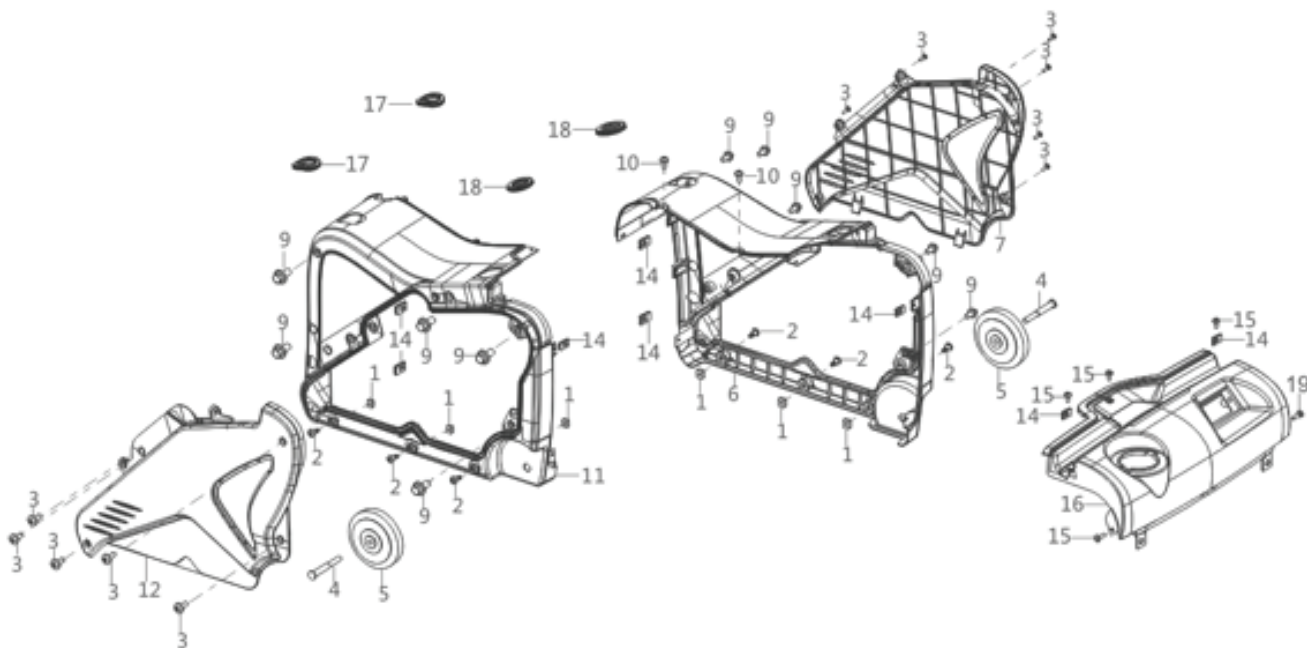


REF.NO.	PARTNO	DESCRIPTION	Q'TY STAGE 2	Q'TY STAGE 5 *
E12-1	90001-0616-01	BOLT	8	8
E12-2	51100-Y2P0420-QC00	FRAME ASSY, ENGINE	1	1
E12-3	51100-Y2P0310-QC00	FRAME ASSY, ENGINE	1	1
E12-4	54195-Y2P0110-0000	position limiting cable	2	2
E12-5	28224-Y2P0110-0000	SPRING	2	2
E12-6	90504-Y2P0120-0000	PIN ROLL	2	2
E12-7	90103-0412-01	screw	2	--
	90106-0410-53	BOLT	--	2
E12-8	90683-Y2P0110-0000	BUSH	1	1
E12-9	16563-Y2P0210-Q200	cable fixing bracket	1	1
E12-10	16531-Y2P0210-Q200	BLOCK, CONTROL ARM LIMITED	1	1
E12-11	90501-Y2P0110-0000	PIN	1	1
E12-12	53006-Y2P0110-0000	GASKET, RUBBER	1	1
E12-13	35643-Y2P0210-Q200	KNOB	1	1
E12-14	51131HY2P0210-QC00	frame connecting board	1	1
E12-15	51131HY2P0110-QC00	frame connecting board	1	1
E12-16	90001-0612-01	BOLT	4	4
E12-17	90129-0410-01	SCREW	2	2
E12-21	90255-0512-53	screw+washer	1	1

\* Moteur Stage 5 à partir du numero de série A1809001519

# ACCESS 3000 i

**FIG.13 (E13)**

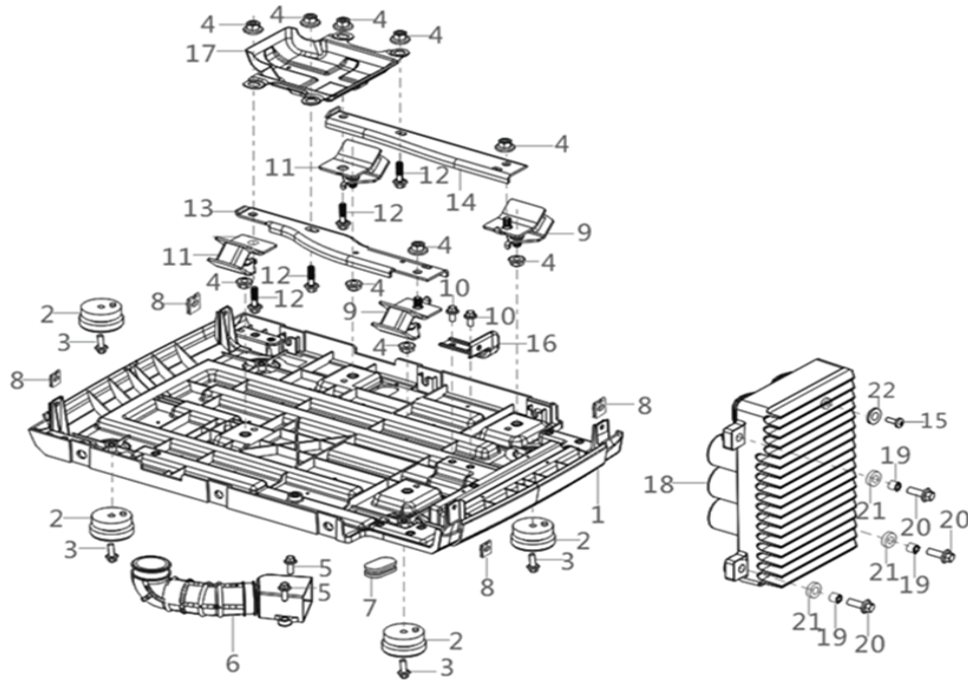


REF.NO.	PARTNO	DESCRIPTION	Q'TY STAGE 2	Q'TY STAGE 5 *
E13-1	90326-Y2V0110-0000	square nut	6	6
E13-2	90208-Y2V0110-0000	BOLT	6	6
E13-3	90255-0512-53	screw+washer	11	11
E13-4	44020-Y2P0110-0300	SHAFT, FRONT WHEEL	2	--
	44020-Y2P0120-0300	SHAFT, FRONT WHEEL	--	2
E13-5	44110-Y2P0110-0000	WHEEL, FRONT	2	2
E13-6	80095-Y2P0130-Q200	SHELL, RIGHT	1	1
E13-7	80096-Y2P0120-SD03	COVER BOARD, RIGHT	1	1
E13-9	90001-0612-01	BOLT	10	10
E13-10	90124-Y9T0410-53	SCREW	2	2
E13-11	80091-Y2P0130-Q200	left cover	1	1
E13-12	80092-Y2P0120-SD03	COVER BOARD, LEFT	1	1
E13-14	17199-Y2V0110-0000	NUT	8	8
E13-15	90255-0516-53	screw+washer	4	4
E13-16	80094-Y2P0210-Q200	COVER BOARD, FRONT	1	1
E13-17	80154-Y2P0210-0000	handle rubber	2	2
E13-18	80154-Y2P0110-0000	handle rubber	2	2
E13-19	90104-0512-03	BOLT	1	1

\* Moteur Stage 5 à partir du numero de série A1809001519

# ACCESS 3000 i

FIG.14 (E14)

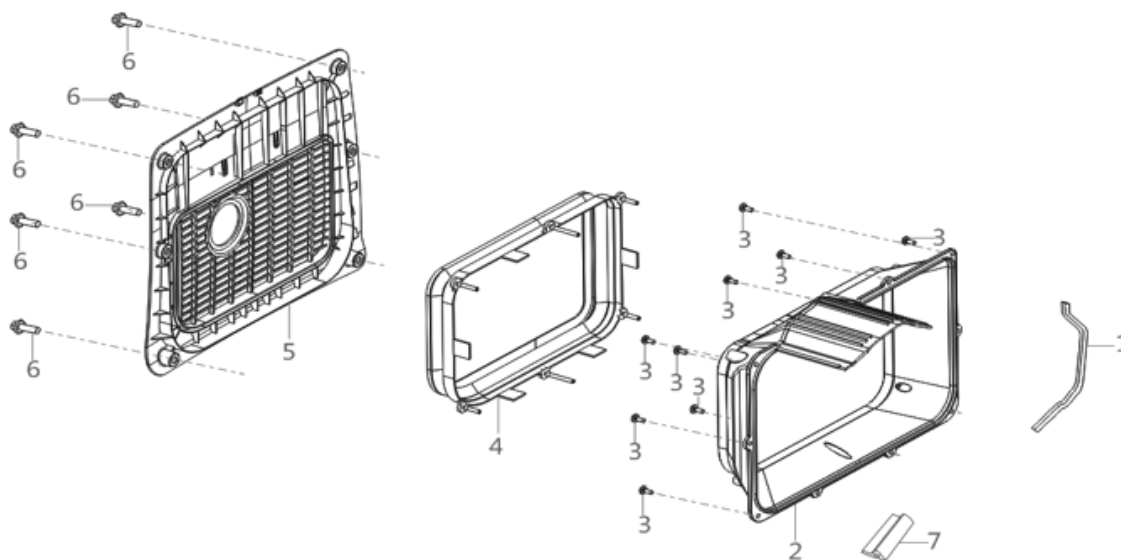


REF.NO.	PARTNO	DESCRIPTION	Q'TY STAGE 2	Q'TY STAGE 5 *
E14-1	51140-Y2P0220-Q200	PLATED BOTTOM	1	1
E14-2	51014-Y2P0110-0000	SEAT, ENGINE FRAME SHOCK ABSORPTION	4	4
E14-3	90001-0616-01	BOLT	4	4
E14-4	90305-0800-31	NUT	10	10
E14-5	90001-0616-01	BOLT	2	2
E14-6	17110-Z430210-0000	DUCT, AIR CLEANER INTAKE	1	1
E14-7	90722-Y2P0110-0000	PLUG, END	1	1
E14-8	17199-Y2V0110-0000	NUT	4	4
E14-9	51009HY2P0110-0000	CUSHION, ENGINE FRAME LEFT	2	2
E14-10	90001-0612-01	BOLT	2	2
E14-11	51011HY2P0210-0000	CUSHION, ENGINE FRAME RIGHT	2	2
E14-12	90001-0840-01	BOLT	4	4
E14-13	51188-Y2P0110-H700	left support	1	1
E14-14	51189-Y2P0110-H700	right support	1	1
E14-15	90103-0408-51	SCREW	1	1
E14-16	30081-Y2P0110-H700	ASSEMBLING FRAME, INVERTER	1	1
E14-17	19306-Z430110-0000	DEFLECTOR, CRANKCASE AIR	1	1
E14-18	30043-Y9H1110-0000	INVERTOR	1	1
E14-19	90683-Y2P0210-0000	BUSH	3	3
E14-20	90001-0625-01	BOLT	3	3
E14-21	30431-Y2P0110-0000	JACKET, RUBBER	3	3
E14-22	90408-0500-E1	WASHER, FLAT	1	1

\* Moteur Stage 5 à partir du numero de série A1809001519

# ACCESS 3000 i

FIG.15 (E15)



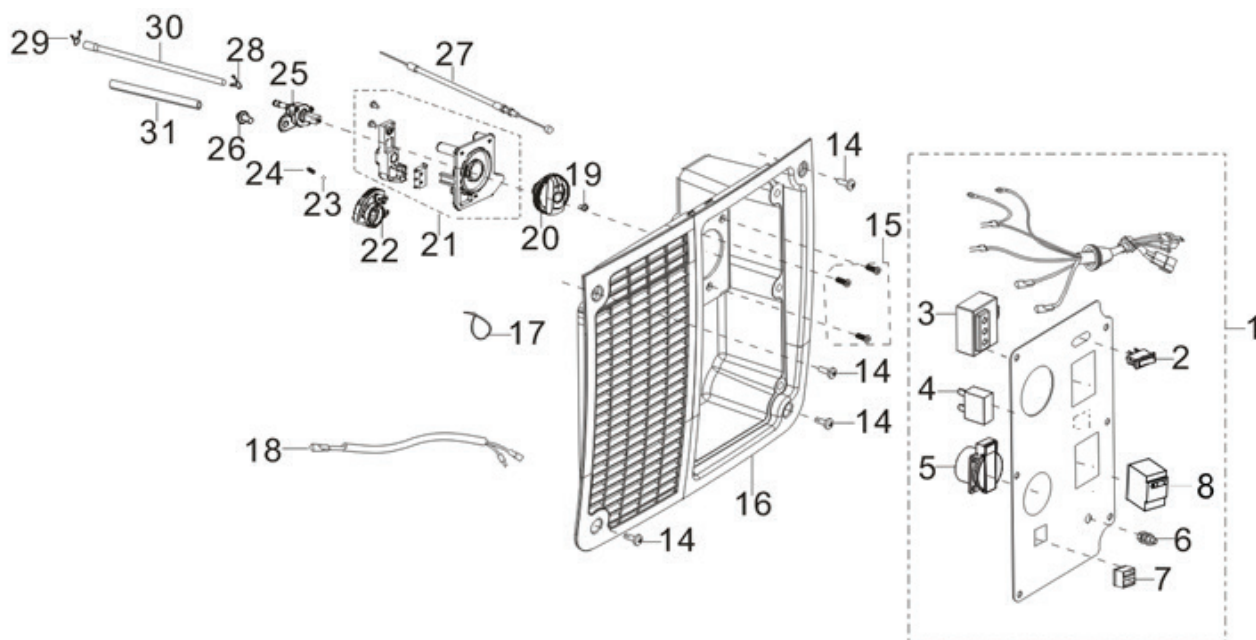
REF.NO.	PARTNO	DESCRIPTION	Q'TY STAGE 2	Q'TY STAGE 5 *
E15-1	19081-Y2P0110-0000	STRIP, SHROUD SEAL	1	1
E15-2	18130-Y2P0110-Q200	COVER, MUFFLER OUTER	1	1
E15-3	90124-Y9T0510-51	screw	9	9
E15-4	18018-Y2P0120-0000	heat isolating rubber	1	1
E15-5	18002-Y2P0220-Q200	COVER, MUFFLER SIDE	1	1
E15-6	90255-0516-53	screw+washer	6	6
E15-7	19081-Y2P0210-0000	STRIP, SHROUD SEAL	1	1

\* Moteur Stage 5 à partir du numero de série A1809001519



# ACCESS 3000 i

FIG.16 (E16)

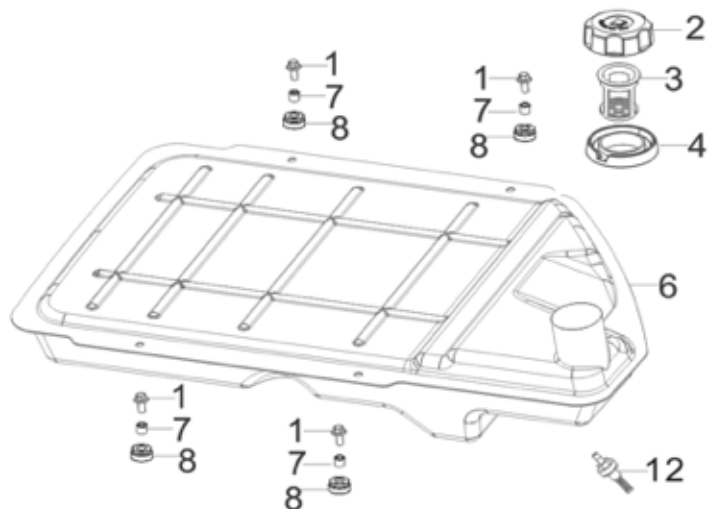


REF.NO.	PARTNO	DESCRIPTION	Q'TY STAGE 2	Q'TY STAGE 5 *
E16-1	35610-Y9H3710-H300	PANEL SUBASSEMBLY, CONTROL	1	1
E16-2	35540-Y2V0110-0000	idle switch	1	1
E16-3	30700-Y2P0120-0000	IGNITOR	1	1
E16-4	35621-Y020110-0000	BRIDGE, RECTIFICATION	1	1
E16-5	35614-Y020110-0000	SOCKET SUBASSEMBLY, POWER SUPPLY	2	2
E16-6	35629-Y2V0210-0000	TERMINAL SUBASSEMBLY, GROUNDING	1	1
E16-7	35619-Y2P0110-0000	SOCKET SUBASSEMBLY, D.C	1	1
E16-14	90255-0516-53	screw+washer	4	4
E16-15	90129-0416-01	screw	3	3
E16-16	35680-Y2P0120-Q200	SEAT, PANEL	1	1
E16-17	90727-Y130110-0000	BAND	1	1
E16-18	35660-Y9H0210-0000	HARNES, CONTROL PANEL WIRING	1	1
E16-19	90103-0416-51	SCREW	1	1
E16-20	35643-Y2V0210-Q200	KNOB	1	1
E16-21	35160-Y9T0210-0000	SWITCH SUBASSEMBLY	1	1
E16-22	94111-Y2V0410-0000	SWITCH SUBASSEMBLY	1	1
E16-23	90543-0500-00	BALL, STEEL	1	1
E16-24	16527-Y2V0210-0000	SPRING, STOPPER ADJUSTING	1	1
E16-25	16750-Y2V0140-0000	COCK ASSY, FUEL	1	1
E16-26	90007-0614-A1	BOLT	1	1
E16-27	16080-Y2P0110-0000	HANDLE SUBASSEMBLY, CHOKE	1	1
E16-28	90740-Z010210-0000	COLLAR	1	1
E16-29	90685-Z030510-0000	COLLAR	1	1
E16-30	90686-Y2P0110-0000	TUBE, FUEL	1	1
E16-31	30431-Y020110-0000	JACKET, RUBBER	1	1

\* Moteur Stage 5 à partir du numero de série A1809001519

# ACCESS 3000 i

**FIG.17 TANK, FUEL (E17)**

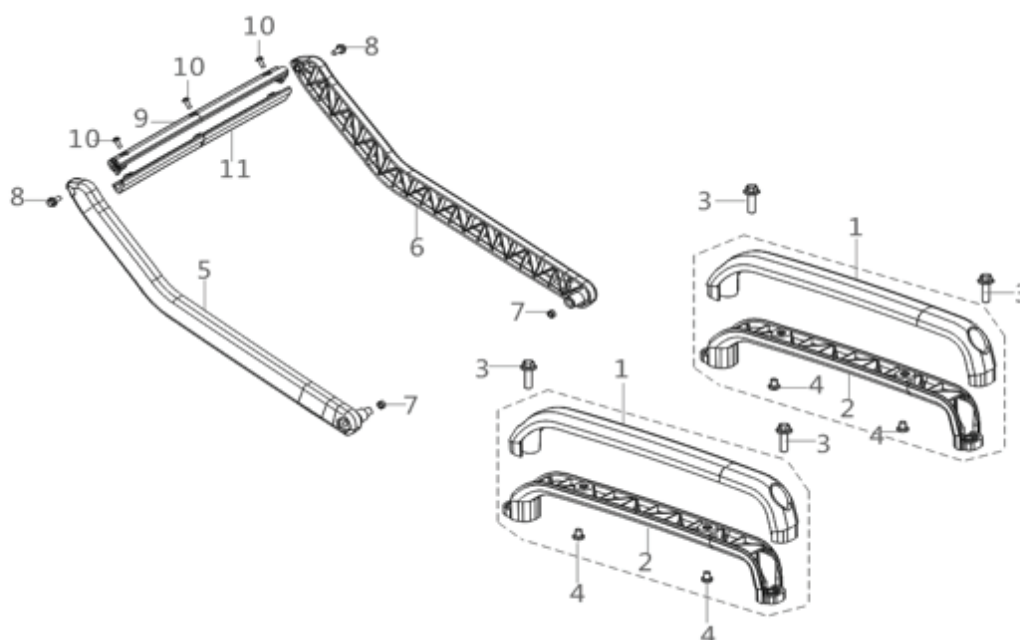


REF.NO.	PARTNO	DESCRIPTION	Q'TY STAGE 2	Q'TY STAGE 5 *
E17-1	90001-0620-01	BOLT	4	4
E17-2	16730-Y2P0110-0000	COVER, FUEL TANK	1	1
E17-3	16652-Y2P0110-0000	STRAINER FUEL	1	1
E17-4	16641-Y2P0110-0000	SLEEVE, FILLING OIL HOLE RUBBER	1	1
E17-6	16620-Y9H0210-H701	TANK ASSY, FUEL	1	1
E17-7	90683-Y9H0110-0000	BUSH	4	4
E17-8	16601-Y2D0110-0000	SLEEVE, FUEL TANK RUBBER	4	4
E17-12	16680-Y2P0110-0000	OUTLET SUBASSEMBLY, FUEL TANK OIL	1	1

\* Moteur Stage 5 à partir du numero de série A1809001519

# ACCESS 3000 i

**FIG.18 HANDEL (E18)**



REF.NO.	PARTNO	DESCRIPTION	Q'TY STAGE 2	Q'TY STAGE 5 *
E18-1	80153-Y2P0330-Q200	HANDLE	2	2
E18-2	80153-Y2P0430-Q200	HANDLE	2	2
E18-3	90001-0620-01	BOLT	4	4
E18-4	90103-0508-53	SCREW	4	4
E18-5	54912-Y2P0510-Q200	rotating arm	1	1
E18-6	54912-Y2P0610-Q200	rotating arm	1	1
E18-7	90341-Y2D0210-0000	NUT	2	2
E18-8	90001-0620-01	BOLT	2	2
E18-9	54913-Y2P0610-Q200	rotating bar	1	1
E18-10	90103-0508-53	screw	3	3
E18-11	54913-Y2P0510-Q200	rotating bar	1	1

\* Moteur Stage 5 à partir du numero de série A1809001519

[www.wormsentreprises.com](http://www.wormsentreprises.com)



ZAC de Lamirault  
39 rue de Lamirault, 77090 Collégien, FRANCE  
TEL. +33 (0) 1 64 76 29 50  
FAX +33 (0) 1 64 76 29 99

**Service SAV et Garantie**  
*After Sales and Warranty Service*  
TEL. +33 (0) 1 64 76 29 80  
FAX +33 (0) 1 64 76 29 88