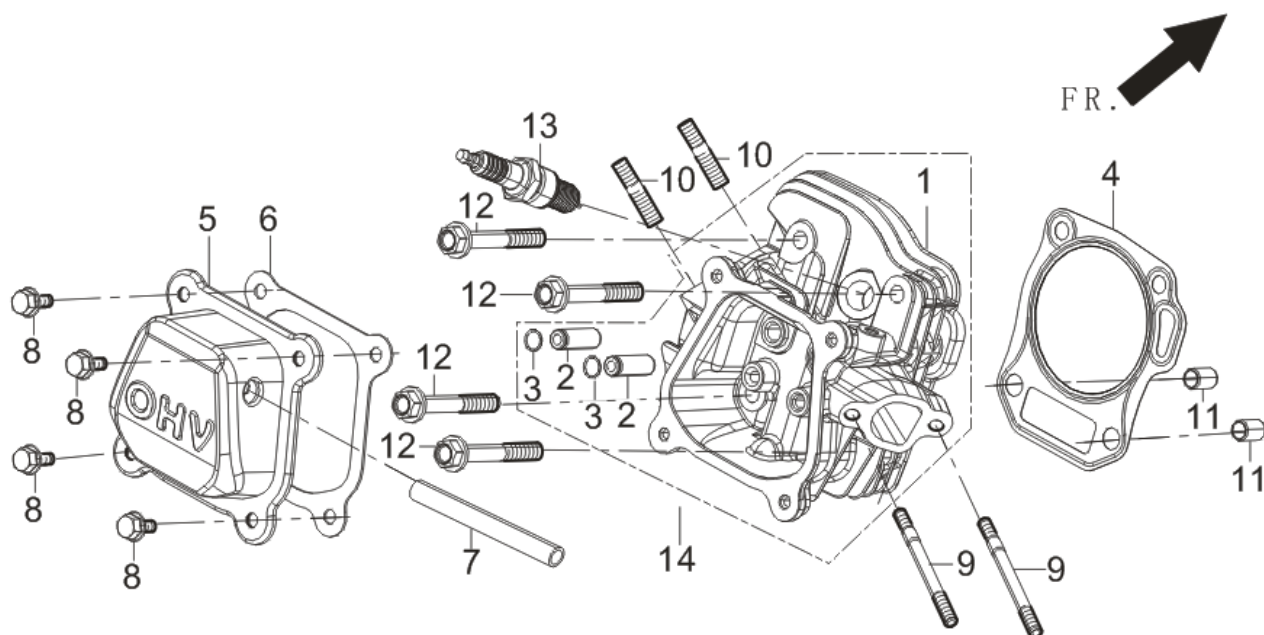


# ACCESS J 36/50

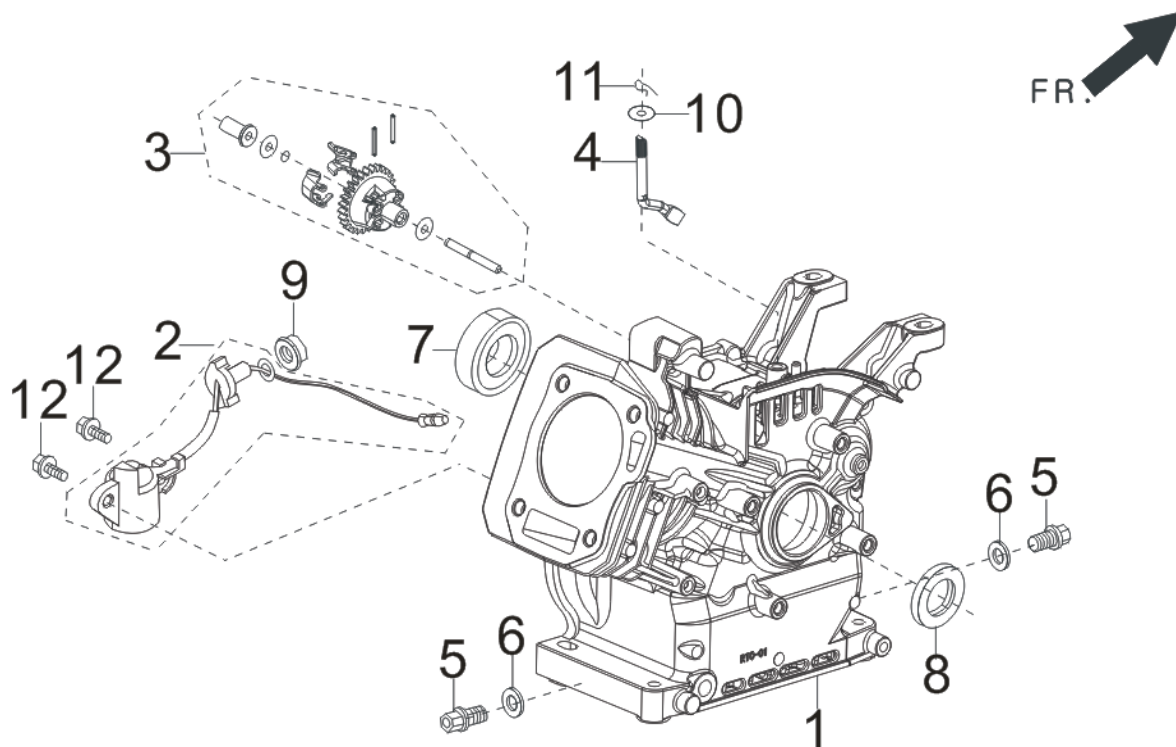
## FIG.1 HEAD SUBASSEMBLY, CYLINDER / PLUG, SPARK (E01)



REF.NO.	PART NO	DESCRIPTION	Q'TY
E01-4	12131-Z140120-0000	GASKET, CYLINDER HEAD	1
E01-5	12410-Z300120-0000	COVER SUBASSEMBLY, CYLINDER HEAD	1
E01-6	12004-Z010110-0000	GASKET, CYLINDER HEAD COVER	1
E01-7	17004-Z050210-0000	TUBE, BREATHER	1
E01-8	90001-0612-01	BOLT	4
E01-9	90204-Z010310-0000	STUD	2
E01-10	90203-Z010110-0000	STUD	2
E01-11	90502-1014-00	PIN	2
E01-12	12003-Z010110-0000	BOLT, CYLINDER HEAD	4
E01-13	30010-Z010110-0000	PLUG, SPARK	1
E01-14	12140-Z040610-0000	HEAD SUBASSEMBLY, CYLINDER	1

# ACCESS J 36/50

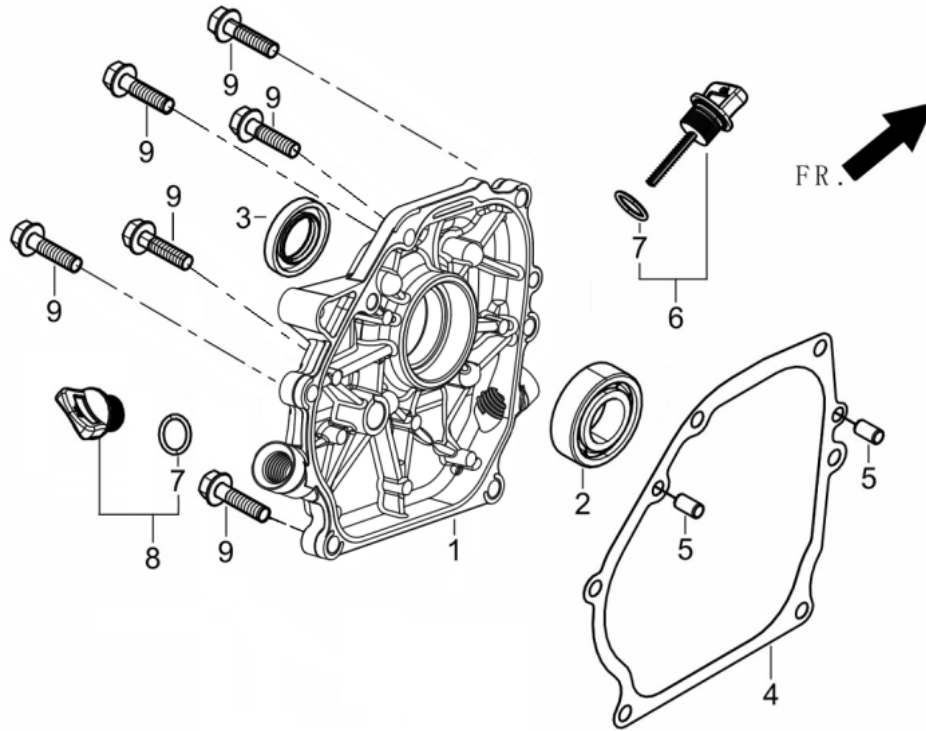
## FIG.2 CRANKCASE. / GEAR ASSY, GOVERNOR. (E02)



REF.NO.	PART NO	DESCRIPTION	Q'TY
E02-1	11310-Z140420-0000	CRANKCASE SUBASSEMBLY.	1
E02-2	37060-Z010120-0000	SENSOR, ENGINE OIL	1
E02-3	16400-Z010110-0000	GEAR ASSY, GOVERNOR	1
E02-4	16061-Z010110-0000	ARM, GOVERNOR	1
E02-5	11007-Z010110-0000	BOLT, DRAIN PLUG	2
E02-6	90408-Z010110-0000	WASHER	2
E02-7	90547-0205-CL	BEARING	1
E02-8	90682-Z300110-0000	SEAL, OIL	1
E02-9	90305-Z010210-01	NUT	1
E02-10	90408-Z010210-0000	WASHER	1
E02-11	90501-Z010110-0000	PIN	1
E02-12	90001-0614-01	BOLT	2

# ACCESS J 36/50

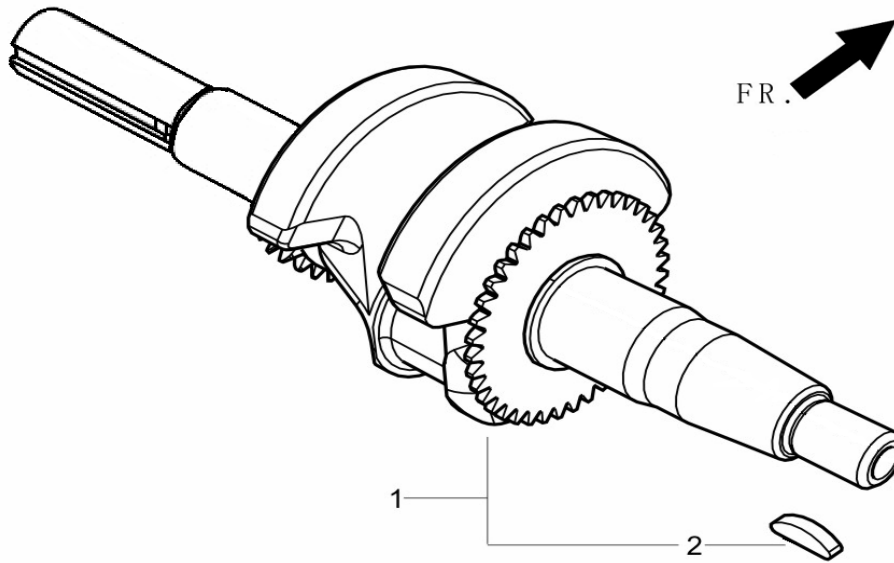
## FIG.3 COVER SUBASSEMBLY, CRANKCASE (E03)



REF.NO.	PART NO	DESCRIPTION	Q'TY
E03-1	11411-Z010310-0000	COVER, CRANKCASE	1
E03-2	90547-0205-CL	BEARING	1
E03-3	90682-Z300110-0000	SEAL, OIL	1
E03-4	11001-Z010120-0000	GASKET, CRANKCASE	1
E03-5	90502-0812-00	PIN	2
E03-6	15010-Z010130-Q500	DIPSTICK SUBASSEMBLY, OIL	1
E03-8	15030-Z010130-Q500	PLUG SUBASSEMBLY, ENGINE OIL	1
E03-9	90001-0832-01	BOLT	6

# ACCESS J 36/50

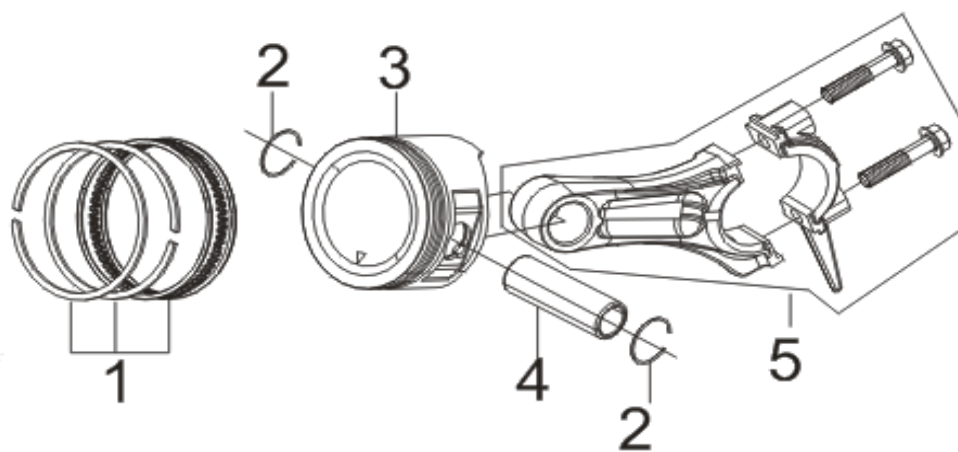
## FIG.4 ROD,CRANKSHAFT CONNETING (E04)



REF.NO.	PART NO	DESCRIPTION	Q'TY
E04-1	13300-Z140330-0000	CRANKSHAFT ASSY.	1

# ACCESS J 36/50

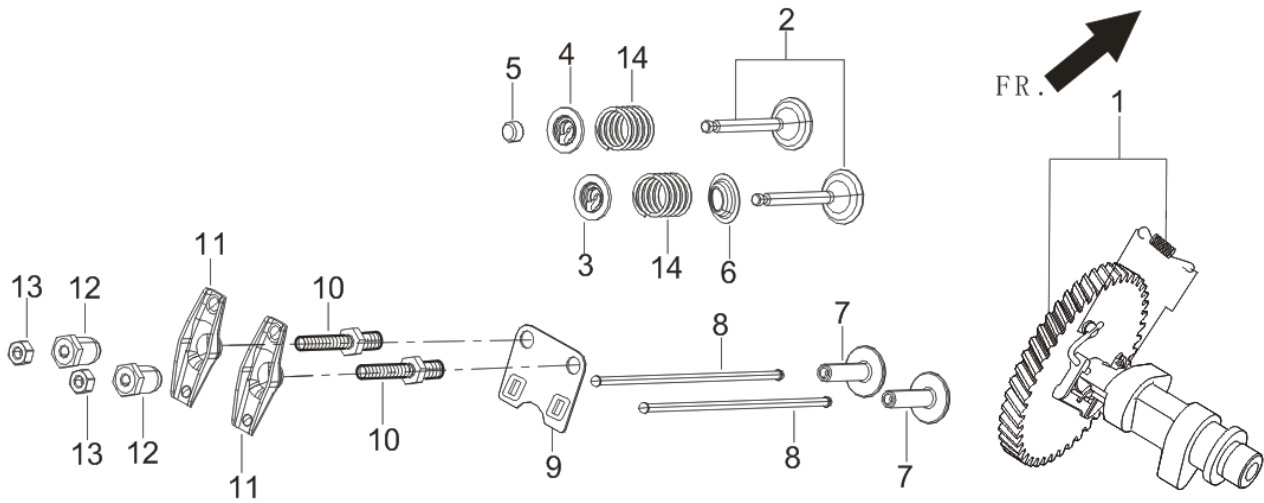
## FIG.5 RING SET,OIL / ROD,CRANKSHAFT CONNETING (E05 )



REF.NO.	PART NO	DESCRIPTION	Q'TY
E05-1	13200-Z140210-0099	PISTON RINGS SET	1
E05-2	13122-Z010110-0000	CLIP, PISTON PIN	2
E05-3	13111-Z140220-0099	PISTON	1
E05-4	13121-Z010110-0000	PIN, PISTON	1
E05-5	13010-Z440210-0099	ROD, CONNECTING	1

# ACCESS J 36/50

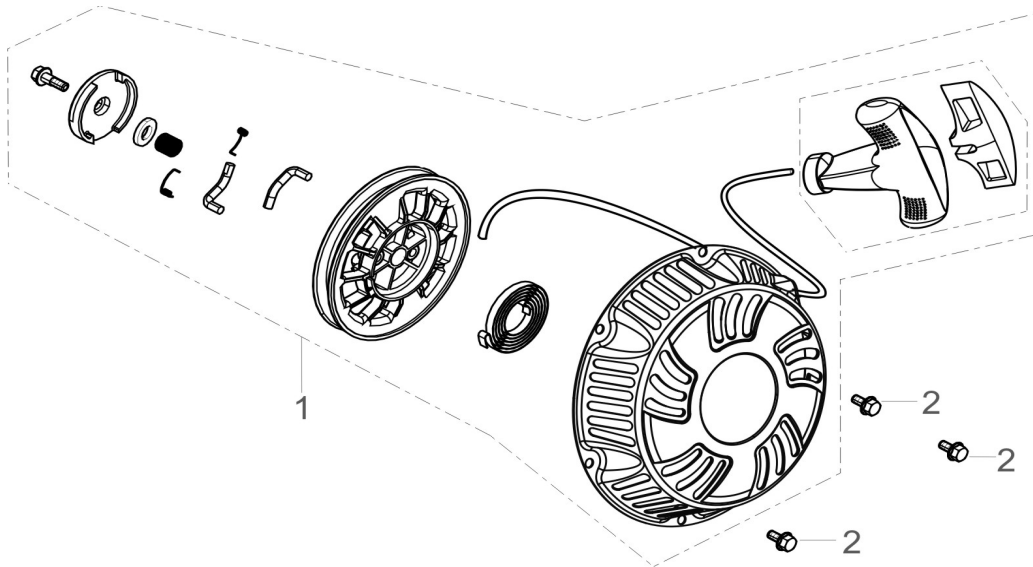
## FIG.6 TRAIN,VALVE / CAMSHAFT SUBASSEMBLY ( E06 )



REF.NO.	PART NO	DESCRIPTION	Q'TY
E06-1	14200-Z300210-0000	CAMSHAFT ASSY.	1
E06-2	12110-Z010110-0000	VALVES SET	1
E06-3	12112-Z010110-0000	SEAT, VALVE SPRING	1
E06-4	12107-Z010110-0000	RETAINER , EXHAUST VALVE	1
E06-5	12104-Z010110-0000	ROTATOR, VALVE	1
E06-6	12101-Z010110-0000	GUIDE, SEAL	1
E06-7	14081-Z040110-0000	TAPPET, VALVE	2
E06-8	14071-Z010110-0000	LIFTER, VALVE	2
E06-9	14090-Z010110-0000	PLATE SUBASSEMBLY, LIFTER STOPPER	1
E06-10	14313-Z010110-0000	BOLT, VALVE ADJUSTING	2
E06-11	14311-Z010110-0000	ROCKER, VALVE	2
E06-12	14314-Z010110-0000	NUT , VALVE ADJUSTING	2
E06-13	14312-Z010110-0000	NUT, VALVE LOCK	2
E06-14	12103-Z010110-0000	SPRING, VALVE	2

# ACCESS J 36/50

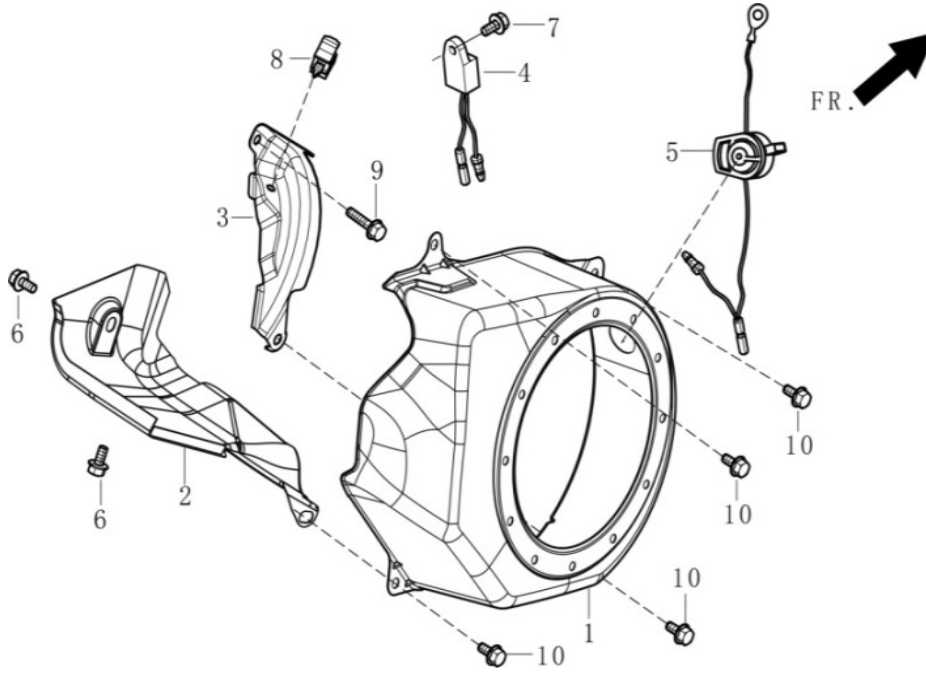
## FIG.7 STARTER,RECOIL ( E07 )



REF.NO.	PART NO	DESCRIPTION	Q'TY
E07-1	28200-Z440110-H300	STARTER ASSY, RECOIL	1
E07-2	90001-0608-01	BOLT	3

# ACCESS J 36/50

## FIG.8 SHROUD / SHIELD,LOWER ( E08 )

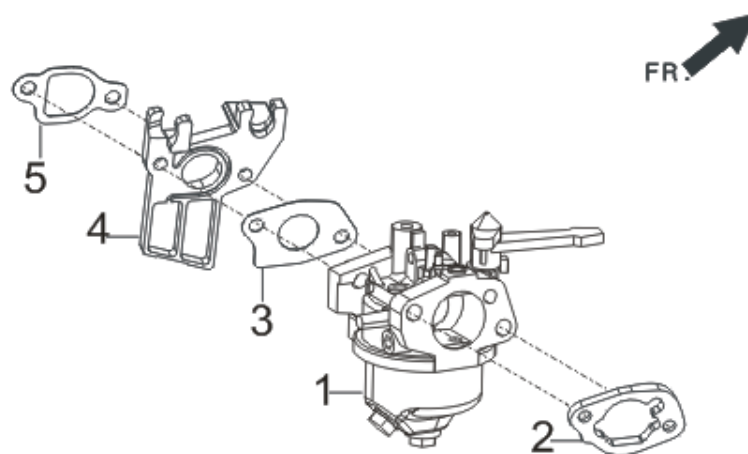


REF.NO.	PART NO	DESCRIPTION	Q'TY
E08-1	28110-Z010410-H300	SHROUD	1
E08-2	19304-Z010710-0000	SHROUD, CYLINDER BODY	1
E08-3	19340-Z010510-0000	SHIELD,LOWER	1
E08-4	37050-Z010210-0000	PROTECTOR, OIL	1
E08-5	35540-Z060140-QG00	SWITCH SUBASSEMBLY, STOP ENGINE	1
E08-6	90001-0610-01	BOLT	2
E08-7	90001-0610-01	BOLT	1
E08-8	90740-Z010110-0000	COLLAR	1
E08-9	90001-0616-01	BOLT	1
E08-10	90001-0612-01	BOLT	4



# ACCESS J 36/50

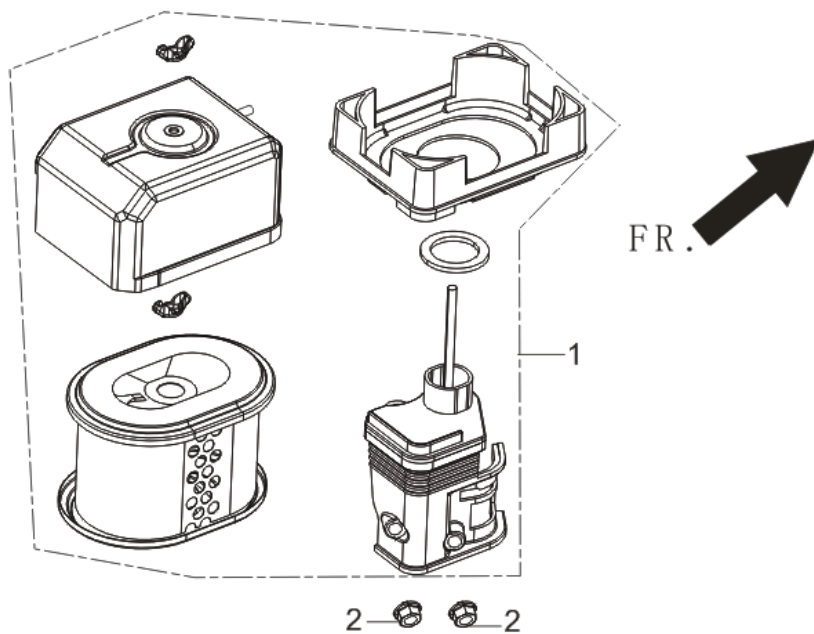
## FIG.9 CARBURETOR ASSY. ( E09 )



REF.NO.	PART NO	DESCRIPTION	Q'TY
E09-1	16100-Z040210-0000	CARBURETOR ASSY.	1
E09-2	17001-Z010210-0000	GASKET, AIR CLEANER	1
E09-3	16001-Z010110-0000	GASKET, CARBURETOR	1
E09-4	16003-Z010110-0000	PLATE, CARBURETOR INSULATOR	1
E09-5	16002-Z010110-0000	GASKET, CARBURETOR INSULATOR	1

# ACCESS J 36/50

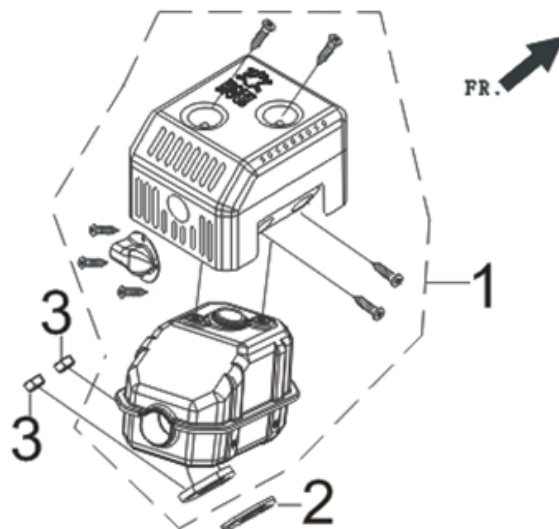
## FIG.10 CLEANER, AIR ( E10 )



REF.NO.	PART NO	DESCRIPTION	Q'TY
E10-1	17100-Z010210-0000	CLEANER, AIR	1
E10-2	90305-0600-31	NUT	2

# ACCESS J 36/50

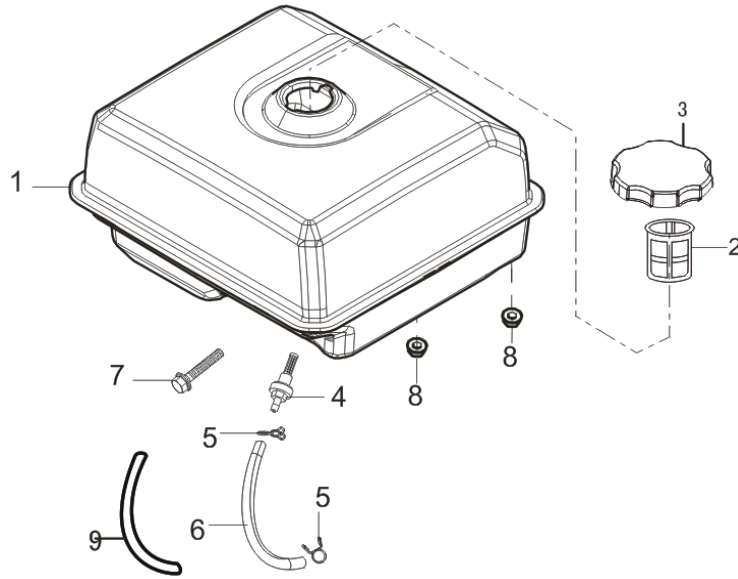
## FIG.11 MUFFLER ASSY. ( E11 )



REF.NO.	PART NO	DESCRIPTION	Q'TY
E11-1	18100-Z010910-H300	MUFFLER ASSY	1
E11-2	18001-Z010110-0000	GASKET, EXHAUST OUTLET	1
E11-3	90303-0800-31	NUT	2

# ACCESS J 36/50

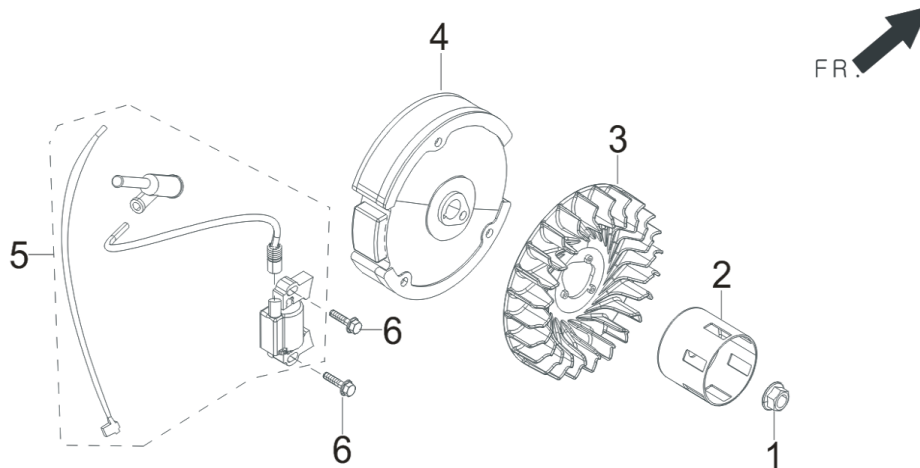
## FIG.12 TANK ASSY, FUEL ( E12 )



REF.NO.	PART NO	DESCRIPTION	Q'TY
E12-1	16620-Z440120-H700	TANK, FUEL	1
E12-2	16652-Z010610-0000	STRAINER , FUEL	1
E12-3	16730-Z010820-QB00	COVER, FUEL TANK	1
E12-4	16680-Z010110-0000	OUTLET SUBASSEMBLY, FUEL TANK OIL	1
E12-5	90740-Z010210-0000	COLLAR	2
E12-6	90686-Z010510-0000	TUBE, FUEL	1
E12-7	90001-0630-01	BOLT	1
E12-8	90305-0600-31	NUT	2
E12-9	30431-Z010110-0000	JACKET, RUBBER	1

# ACCESS J 36/50

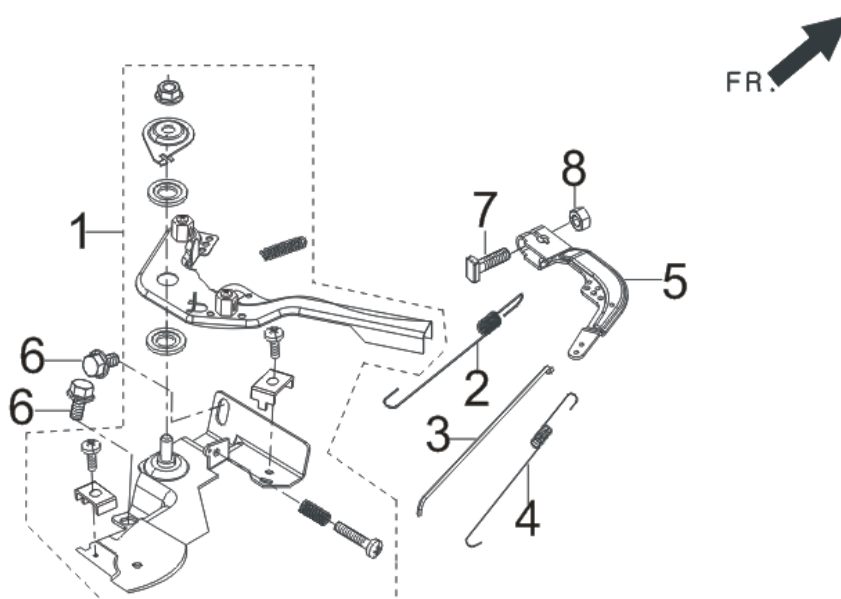
## FIG.13 FLYWHEEL / IMPELLER / STARTER PULLEY / IGNITION COIL (E13 )



REF.NO.	PART NO	DESCRIPTION	Q'TY
E13-1	13501-Z010110-0000	NUT	1
E13-2	28002-Z010310-0000	PULLEY,STARTER	1
E13-3	19352-Z010110-0000	IMPELLER	1
E13-4	13510-Z010110-0000	FLYWHEEL SUBASSEMBLY	1
E13-5	30400-Z440110-0100	COIL, IGNITION	1
E13-6	90001-0625-01	BOLT	2

# ACCESS J 36/50

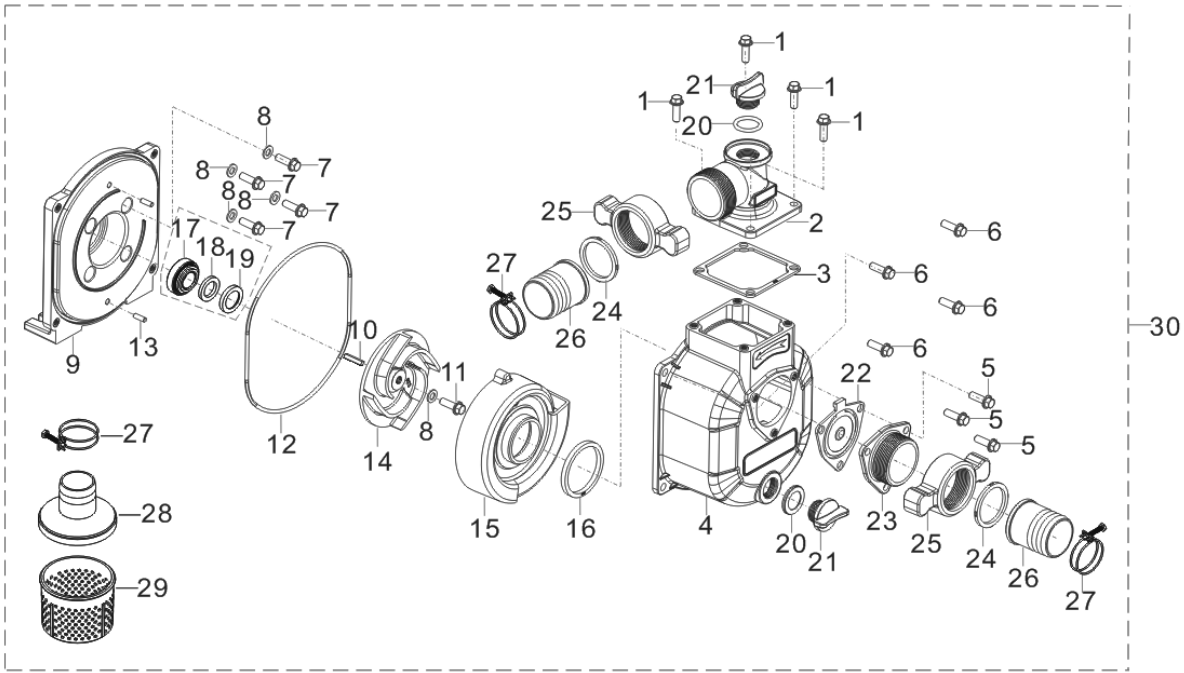
## FIG.14 CONTROL ASSY, THROTTLE (E14 )



REF.NO.	PART NO	DESCRIPTION	Q'TY
E14-1	16520-Z010230-0000	CONTROL ASSY, THROTTLE	1
E14-2	16063-Z010110-0000	SPRING, GOVERNOR	1
E14-3	16062-Z010110-0000	ROD, GOVERNEOR	1
E14-4	16012-Z010110-0000	SPRING, THROTTLE VALVE RETURNING	1
E14-5	16070-Z010110-0000	SUPPORT SUBASSEMBLY, GOVERNOR	1
E14-6	90001-0610-01	BOLT	2
E14-7	16072-Z010110-0000	BOLT, GOVERNOR SUPPORT	1
E14-8	90305-0600-31	NUT	1

# ACCESS J 36/50

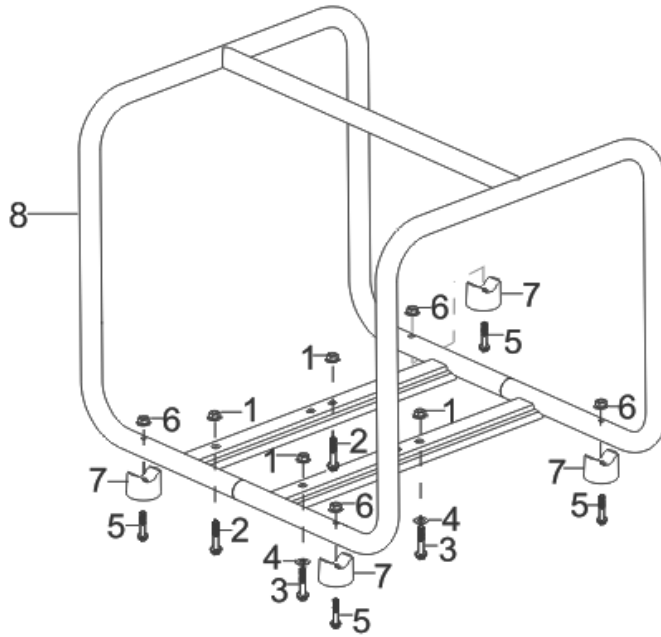
## FIG.15 (E15 )



REF.NO.	PART NO	DESCRIPTION	Q'TY
E15-1	90001-0820-51	BOLT	4
E15-2	70108-V330310-0K00	OUTLET , WATER	1
E15-3	70109-V330110-0000	GASKET , OUTLET	1
E15-4	70105-V330210-0K00	PUMP BODY	1
E15-5	90001-0820-51	BOLT	3
E15-6	90001-0825-01	BOLT	4
E15-7	90001-V020110-0000	BOLT	4
E15-8	90409-V260110-0000	WASHER	5
E15-9	70118-V330110-0K00	JOINT, WATER PUMP	1
E15-10	90522-V010110-0000	KEY	1
E15-11	90001-V070110-0000	BOLT	1
E15-12	70119-V330110-0000	CUSHION, WATER PUMP JOINT	1
E15-13	90505-0618-00	PIN	2
E15-14	70102-V330110-0000	IMPELLER, WATER PUMP	1
E15-15	70103-V330110-0000	CASE, WHORL	1
E15-16	70104-V330110-0000	RIGN , WHORL CASE SEALING	1
E15-17	70300-V260210-0000	SEAL ASSY, MECHANISM	1
E15-18	70309-V260210-0000	SEAL,PORCELAIN	1
E15-19	70125-V260210-0000	WASHER	1
E15-20	70122-V260110-0000	WASHER, SCREW PLUG	2
E15-21	70107-V330110-0000	PLUG, THREAD	2
E15-22	70115-V330110-0000	GASKET , INLET WATER	1
E15-23	70116-V330110-0K00	INLET, WATER	1
E15-24	70131-V330110-0000	RING, HOSE JOINT SEAL	2
E15-25	70111-V330110-0K00	JOINT, HOSE	2
E15-26	70112-V260110-0K00	INTERFACE, HOSE	2
E15-27	70400-V260110-0000	HOOP ASSY, HOSE	3
E15-28	70113-V260110-0000	COVER, FILTER	1
E15-29	70114-V260110-0000	FILTER	1
E15-30	70100-V330610-0K00	PUMP ASSY, WATER	1

# ACCESS J 36/50

## FIG.16 FRAME ASSY, ENGINE (E16)



REF.NO.	PART NO	DESCRIPTION	Q'TY
E16-1	90327-0800-31	NUT	4
E16-2	90001-0835-01	BOLT	2
E16-3	90001-0825-01	BOLT	2
E16-4	90406-0800-E1	WASHER	2
E16-5	90001-0635-01	BOLT	4
E16-6	90305-0600-31	NUT	4
E16-7	51014HX090120-0000	SEAT, ENGINE FRAME SHOCK ABSORPTION	4
E16-8	51100-V330110-H7L0	FRAME ASSY, ENGINE	1