

PARTS MANUAL

Model

PTD405T

Pump

PUB-PP1236
Rev. 12/99

GROUP INDEX

Group Name	Page
PUMP - PTD405T	4
CRANKCASE	6
CYLINDER and CYLINDER HEAD	10
CRANKSHAFT and PISTON	12
CAMSHAFT	14
MUFFLER and AIR CLEANER.....	16
GOVERNOR	18
COOLING and STARTING	20
RECOIL	22
FUEL TANK.....	24
FUEL SYSTEM	26

Robin America, Inc.

940 Lively Blvd. • Wood Dale, IL 60191 • Phone: 630-350-8200 • Fax: 630-350-8212
e-mail: sales@robinamerica.com • www.robinamerica.com

© Copyright 1999 Robin America, Inc.

FIG. 1 PUMP - PTD405T

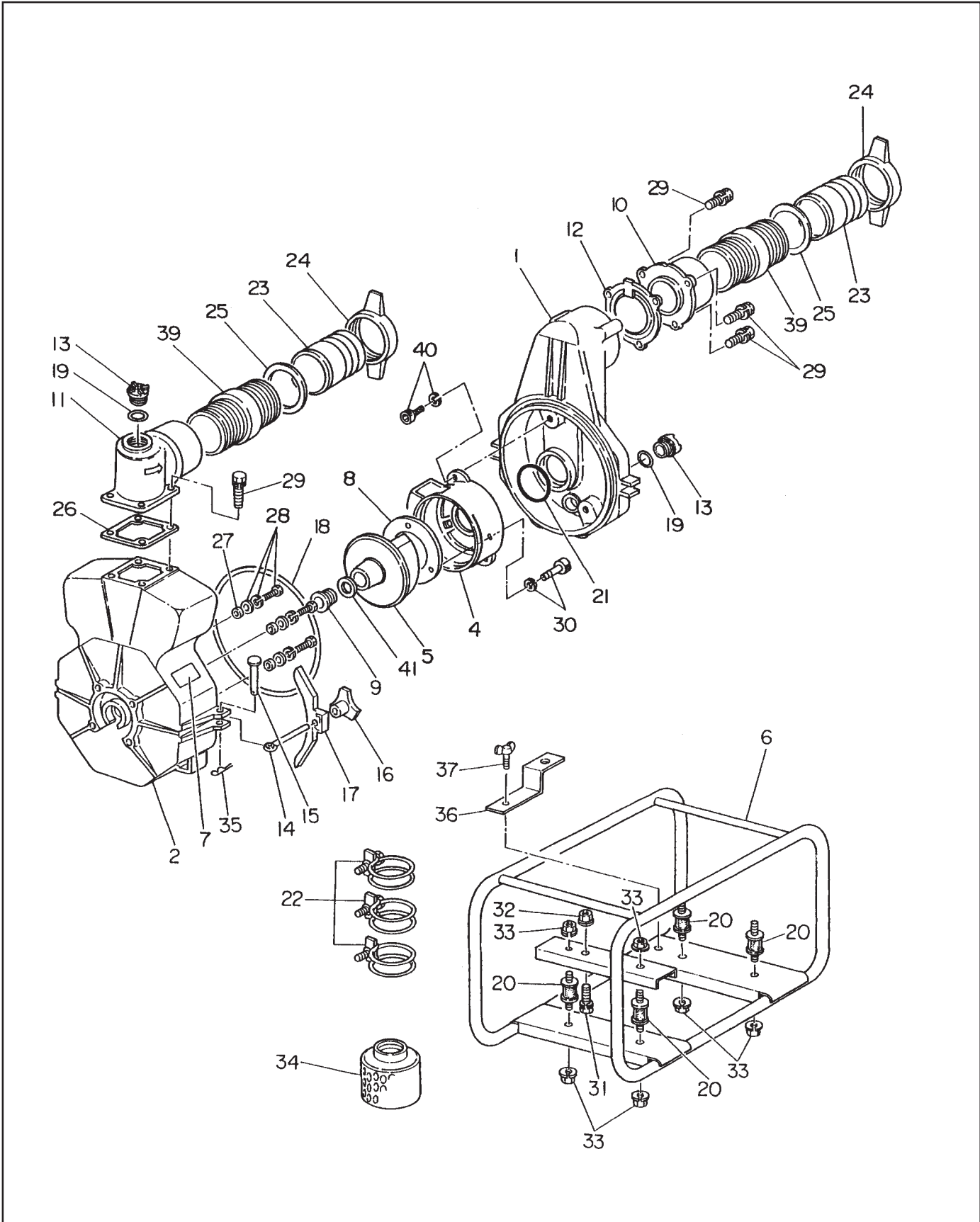


FIG. 1 PUMP - PTD405T

REF	PART NUMBER	DESCRIPTION	QTY	REMARKS
1	481-00000-74	CASING	1	
2	480-10210-02	CASING COVER	1	
4	481-00000-75	INNER CASING	1	
5	480-10210-04	IMPELLER	1	
6	481-00000-60	FRAME	1	
7	482-00216-03	LABEL, pump name	1	
8	480-10210-07	LINER	1	
9	480-08210-08	MECHANICAL SEAL	1	
10	481-00000-77	SUCTION FLANGE	1	
11	481-00000-78	DELIVERY FLANGE	1	
12	481-00000-79	CHECK VALVE	1	
13	480-08210-12	PLUG	2	
14	480-08210-13	COVER BOLT	2	
15	480-08210-14	RIVET	2	
16	480-08210-15	KNOB	2	
17	480-08210-16	CASING COVER HOLDER	2	
18	480-08210-17	PACKING, casing	1	
19	480-08210-18	"O" RING	2	
20	480-08210-19	CUSHION RUBBER	4	
21	480-10210-20	"O" RING, inner casing	1	
22	480-10010-28	HOSE BAND	3	
23	480-10010-18	NIPPLE (AL)	2	
24	481-00000-12	COUPLING HANDLE (AL NPT)	2	
25	480-10010-17	PACKING, nipple	2	
26	480-10010-20	PACKING, delivery flange	1	
27	480-10210-26	SEAL PACKING	4	
28	480-10210-27	BOLT and WASHER ASS'Y	4	
29	001-14103-00	BOLT and WASHER ASS'Y	7	
30	480-10210-29	SOCKET BOL (M6x20)	3	
31	001-14104-50	BOLT and WASHER ASS'Y (M10x50)	2	
32	002-38100-00	FLANGE NUT (M10)	2	
33	480-10010-24	NUT and WASHER ASS'Y (M8)	6	
34	480-10210-33	STRAINER	1	
35	480-08210-34	SPRING PIN	2	
36	480-05210-35	SUPPORT	1	
37	480-05210-36	WING BOLT (M6x15)	1	
39	481-00000-82	NIPPLE (NPTxNPT)	2	
40	480-08210-39	SOCKET BOLT (M8x30)	3	
41	480-10210-40	SHIM (Ø22.2 x 0.3mm)	1	select one piece only
41	480-10210-41	SHIM (Ø22.2 x 0.6mm)	1	select one piece only
41	480-10210-42	SHIM (Ø22.2 x 1.6mm)	1	select one piece only
41	480-10210-43	SHIM (Ø22.2 x 2.3mm)	1	select one piece only

FIG. 2 CRANKCASE - PTD405T

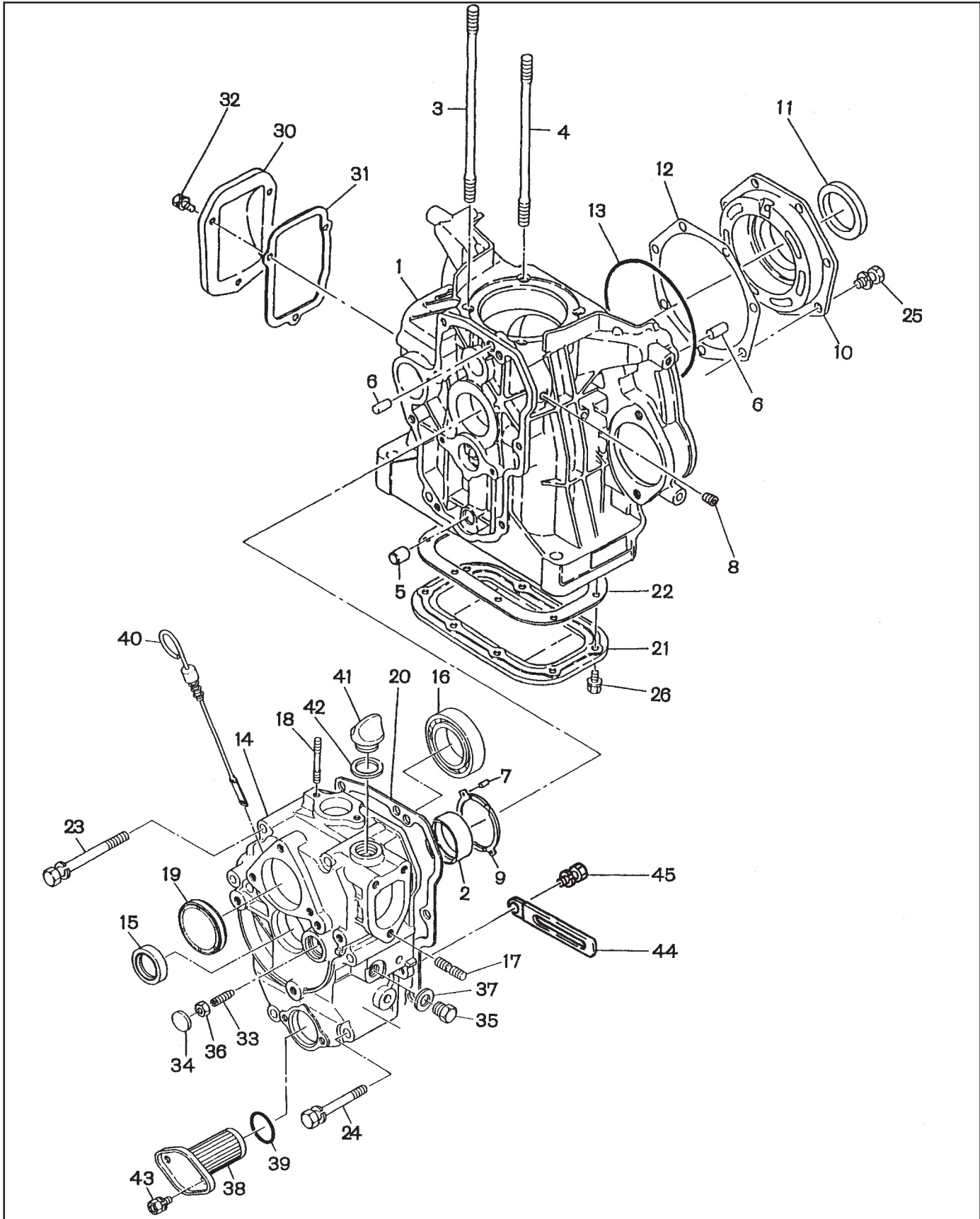


FIG. 2 CRANKCASE - PTD405T

REF	PART NUMBER	DESCRIPTION	QTY	REMARKS
*1	231-10107-11	CRANKCASE, compl.	1	Includes items 2 thru 8
2	228-15801-03	MAIN BEARING, STD	1	
2	228-15802-03	MAIN BEARING, under size 0.25mm	1	
2	228-15803-03	MAIN BEARING, under size 0.5mm	1	
3	231-16001-11	TENSION BOLT 1	2	
4	231-16002-11	TENSION BOLT 2	2	
5	228-15003-13	PIPE KNOCK	1	
6	005-26081-80	DOWEL PIN	4	
7	005-19250-60	SPRING PIN	2	
8	212-15008-13	BLIND PLUG	1	
9	228-15002-03	THRUST BEARING	1	
*10	231-11501-21	BEARING HOUSING	1	Includes item 11
11	044-04000-20	OIL SEAL (40x58x8)	1	
12	231-15004-03	GASKET, t=0.1	1	
12	231-15005-03	GASKET, t=0.2	1	
12	231-15006-03	GASKET, t=0.3	1	
13	231-15014-03	"O" RING, bearing housing	1	
*14	231-11701-01	GEAR CASE COVER, compl.	1	Includes items 14 thru 19
15	044-02200-50	OIL SEAL (22x35x7)	1	
16	060-03500-40	BALL BEARING (BB-6007C3)	1	
17	001-32083-51	STUD	3	
18	001-32064-50	STUD	2	
19	041-05000-11	BLIND PLATE	1	
20	231-15007-03	GASKET, case cover (t=0.5)	1	
21	231-11601-03	OIL PAN	1	
22	231-15034-03	GASKET, oil pan (t=1.5)	1	
23	001-13088-50	BOLT and WASHER ASS'Y	4	
24	001-13086-50	BOLT and WASHER ASS'Y	4	
25	001-13082-00	BOLT and WASHER ASS'Y	7	
26	980-05060-10	BOLT and WASHER ASS'Y	8	
30	228-26001-01	BALANCER COVER	1	
31	228-25004-03	GASKET, balancer cover	1	
32	980-05060-10	BOLT and WASHER ASS'Y	3	
33	014-90600-70	ADJUSTING SCREW	1	
34	041-12200-10	BLIND PLUG	1	
35	040-11200-30	PLUG	1	
36	002-18060-00	NUT	1	
37	003-70120-00	GASKET, aluminum	1	
38	228-64301-00	OIL FILTER ASS'Y	1	
39	024-03000-10	"O" RING	1	
40	228-63610-01	OIL GAUGE, compl.	1	
41	228-65003-03	PLUG	1	
42	021-32000-10	GASKET	1	
43	980-05060-10	BOLT and WASHER ASS'Y	2	

FIG. 2 CRANKCASE - PTD405T

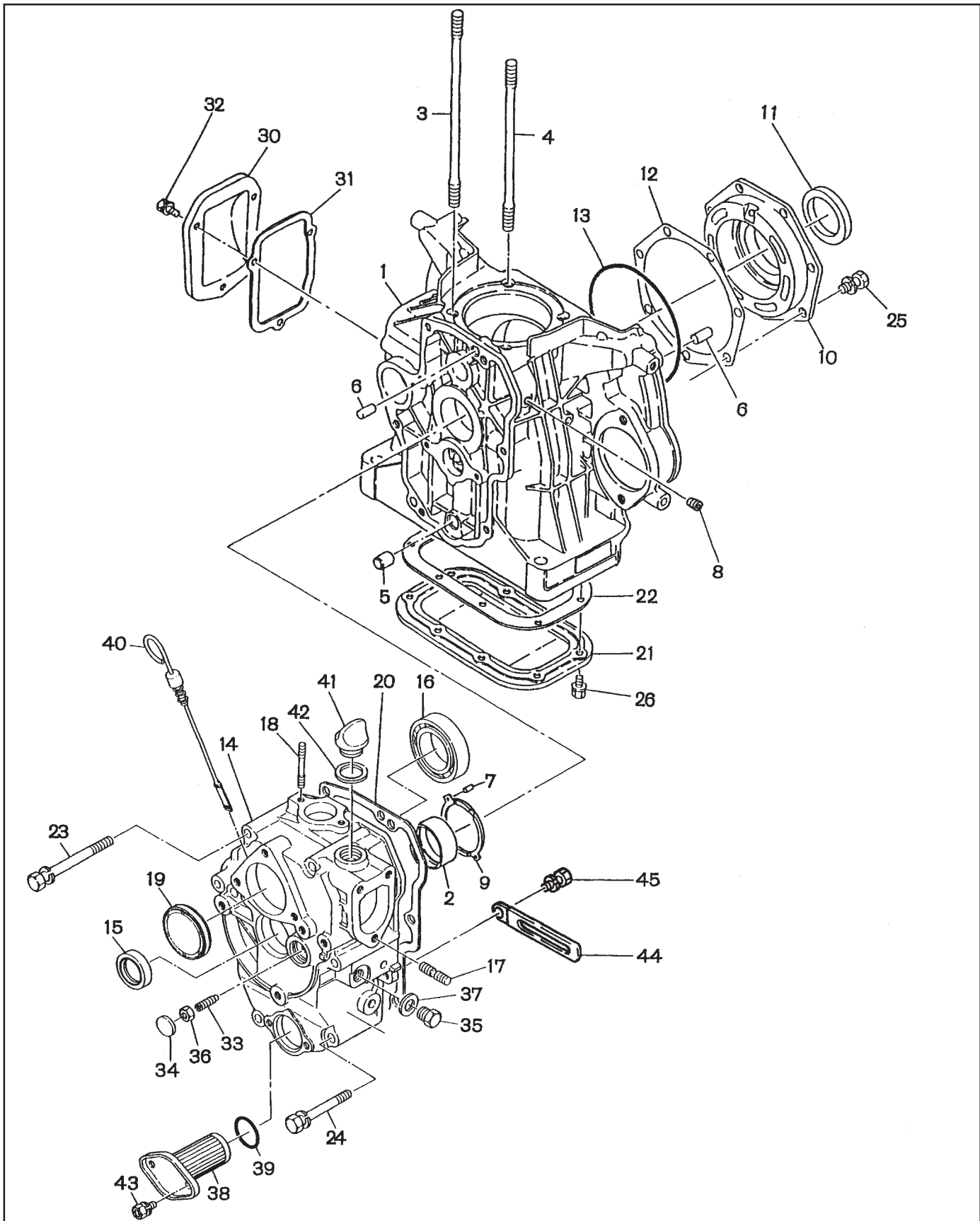


FIG. 2 CRANKCASE - PTD405T

REF	PART NUMBER	DESCRIPTION	QTY	REMARKS
44	150-75201-03	CLAMP	1	
45	001-10061-00	BOLT and WASHER ASS'Y	1	
*	231-99001-07	GASKET SET	1	

FIG. 3 CYLINDER and CYLINDER HEAD - PTD405T

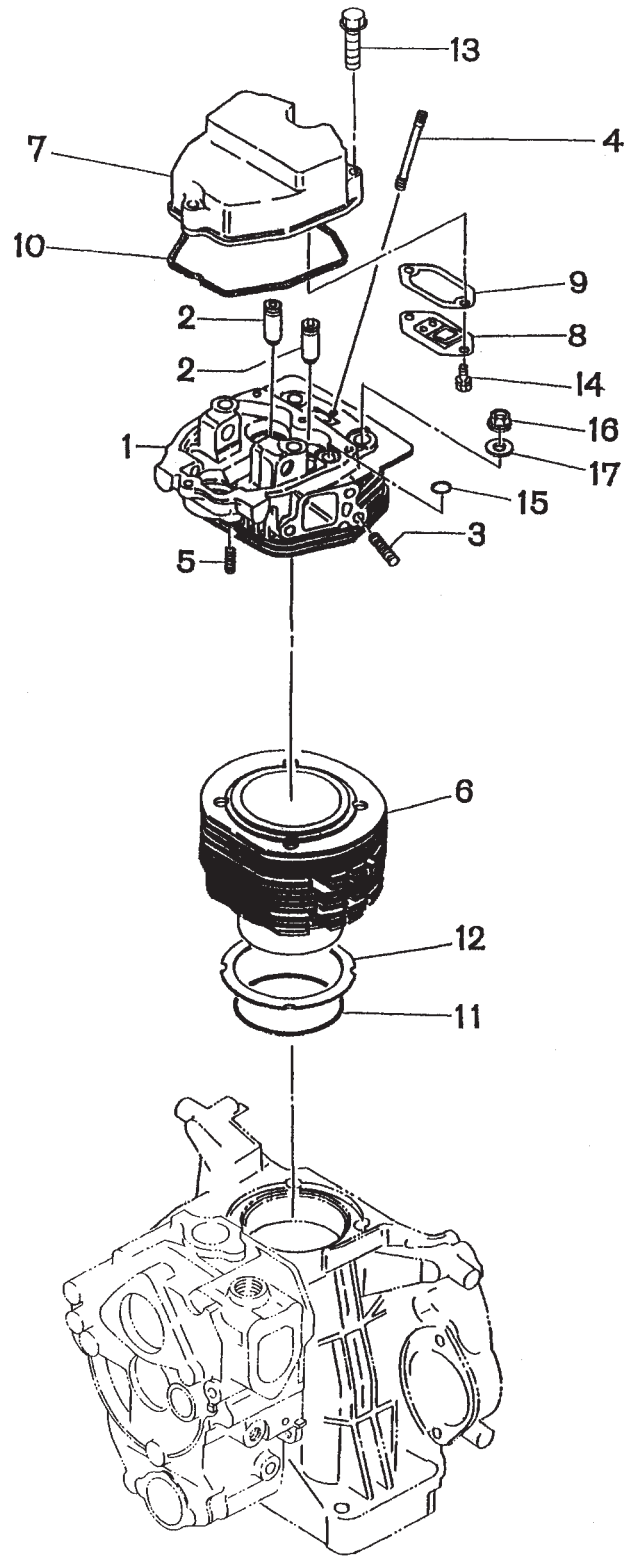


FIG. 3 CYLINDER and CYLINDER HEAD - PTD405T

REF	PART NUMBER	DESCRIPTION	QTY	REMARKS
*1	229-13110-21	CYLINDER HEAD, compl.	1	Includes items 2 thru 5
2	228-14204-03	VALVE GUIDE	2	
3	001-37082-01	STUD	4	
4	010-50601-50	STUD	2	
5	001-31062-51	STUD	2	
6	231-12401-02	CYLINDER UNIT	1	
7	228-17053-03	ROCKER COVER	1	
8	228-15303-01	BREATHER PLATE, compl.	1	
9	228-15009-23	GASKET, breather (t=2)	1	
10	228-15010-03	GASKET, rocker cover	1	
11	229-15011-03	"O" RING, cylinder	1	
12	229-15012-13	SPACER, cylinder (t=0.1)	1	
12	229-15013-13	SPACER, cylinder (t=0.2)	1	
13	001-13064-00	BOLT and WASHER ASS'Y	3	
14	980-05060-10	BOLT and WASHER ASS'Y	2	
15	024-01300-10	"O" RING	1	
16	018-01000-11	FLANGE NUT	4	
17	980-30110-70	WASHER	4	

FIG. 4 CRANKSHAFT and PISTON - PTD405T

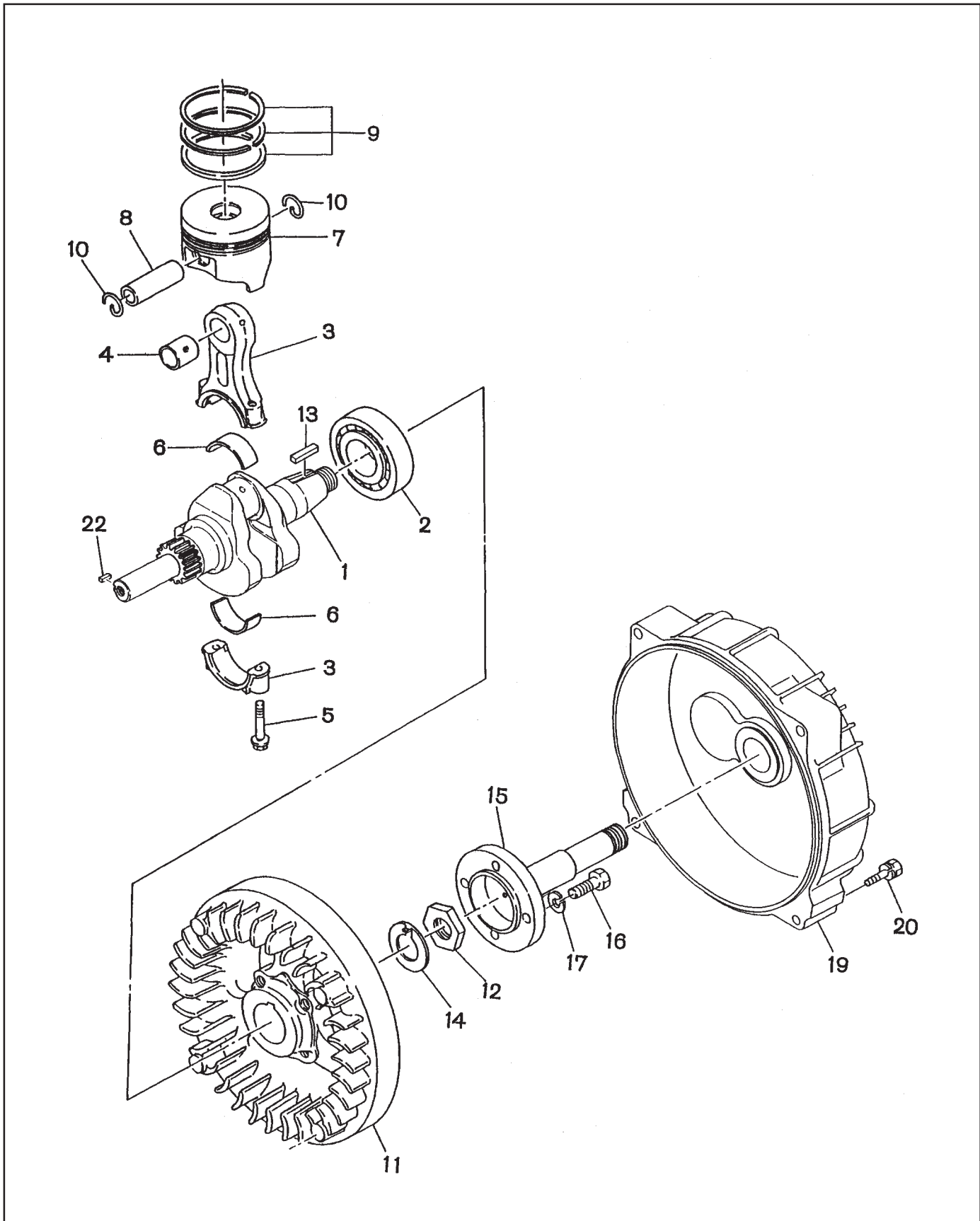


FIG. 4 CRANKSHAFT and PISTON - PTD405T

REF	PART NUMBER	DESCRIPTION	QTY	REMARKS
*1	262-20201-01	CRANKSHAFT, compl.	1	Includes item 2
2	060-04000-30	BALL BEARING (BB-6308C3)	1	
*3	231-22501-10	CONNECTING ROD ASS'Y	1	Includes items 4 and 5
4	228-22901-13	SMALL END BUSH	1	
5	231-23001-13	CONNECTING ROD BOLT	2	
6	228-22801-13	LARGE END BEARING, STD.	2	
6	228-22802-13	LARGE END BEARING, under size 0.25mm	2	
6	228-22803-13	LARGE END BEARING, under size 0.50mm	2	
7	231-23401-43	PISTON, STD.	1	
7	231-23402-43	PISTON, over size 0.25mm	1	
7	231-23403-43	PISTON, over size 0.50mm	1	
8	228-23301-03	PISTON PIN	1	
9	229-23501-27	PISTON RING SET, STD.	1	
9	229-23502-27	PISTON RING SET, over size 0.25mm	1	
9	229-23503-27	PISTON RING SET, over size 0.50mm	1	
10	056-52100-10	CLIP	2	
11	228-22401-23	FLYWHEEL	1	
12	017-32600-10	LOCK NUT	1	
13	005-30072-01	KEY	1	
14	020-52600-12	LOCK WASHER	1	
15	228-24408-03	DRIVING SHAFT	1	
16	001-67103-00	BOLT	4	
17	003-20100-00	SPRING WASHER	4	
19	228-17911-23	ADAPTER 3	1	
20	001-13086-00	BOLT and WASHER ASS'Y	4	
22	005-30040-81	KEY	1	

FIG. 5 CAMSHAFT - PTD405T

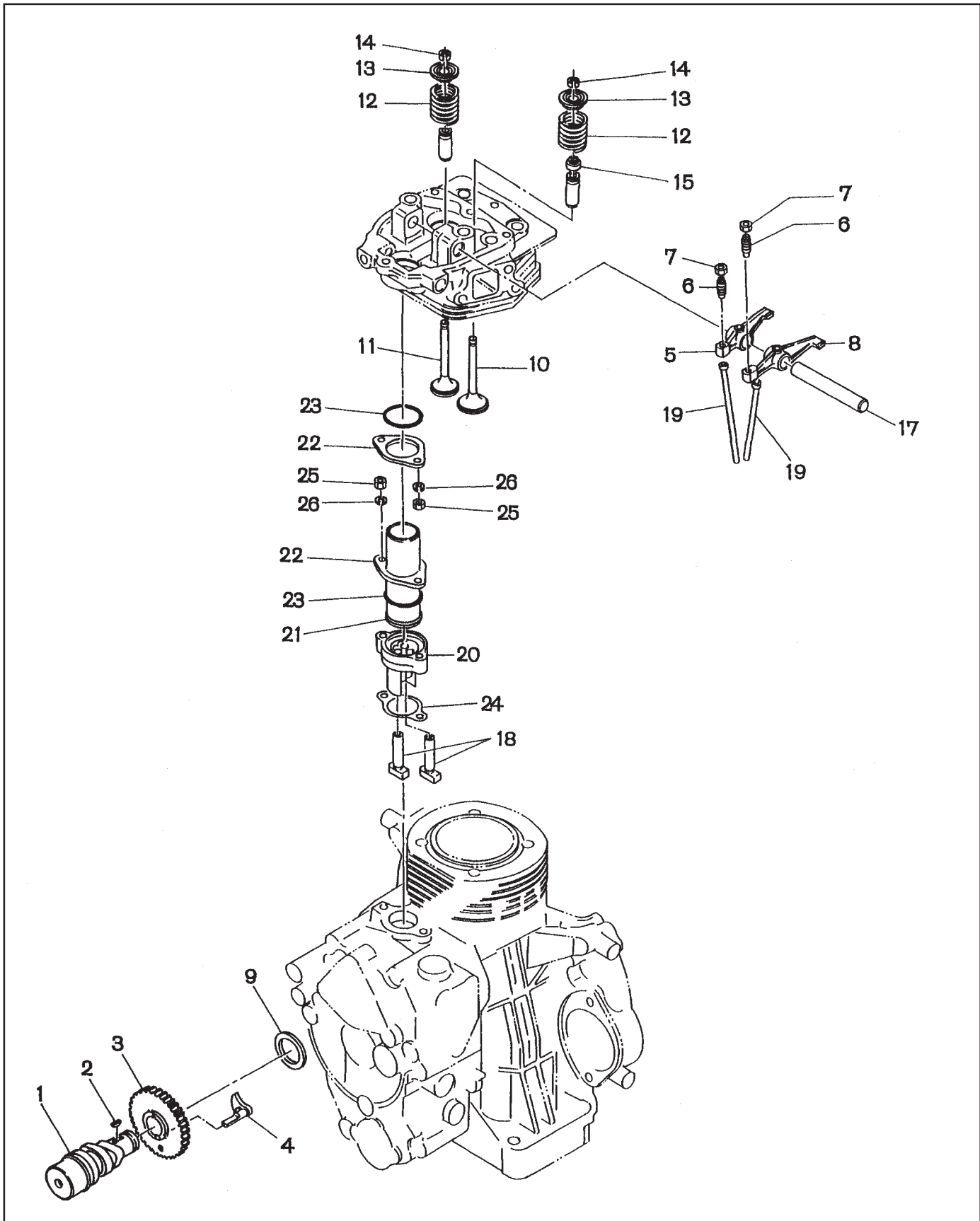


FIG. 5 CAMSHAFT - PTD405T

REF	PART NUMBER	DESCRIPTION	QTY	REMARKS
*1	228-31604-00	CAMSHAFT ASS'Y	1	Includes items 1 thru 3
1	228-31604-01	CAMSHAFT, compl.	1	
2	005-32042-01	WOODRUFF KEY	1	
3	228-33222-01	CAMSHAFT GEAR, compl.	1	
4	228-35561-03	RELEASE LEVER	1	
*5	228-36201-01	EXHAUST ROCKER ARM, compl.	1	Includes items 6 and 7
6	014-90600-80	ADJUSTING SCREW	2	
7	017-00600-80	NUT	2	
*8	228-36401-01	INTAKE ROCKER ARM, compl.	1	Includes items 6 and 7
9	023-02000-20	SPACER (t=0.8)	1	
9	023-02000-30	SPACER (t=1.0)	1	
9	023-02000-40	SPACER (t=1.2)	1	
10	228-33401-13	INTAKE VALVE	1	
11	228-33501-03	EXHAUST VALVE	1	
12	228-33601-03	VALVE SPRING	2	
13	228-33701-03	SPRING RETAINER	2	
14	228-33801-03	RETAINER LOCK	4	
15	228-35003-03	VALVE STEM SEAL	1	
17	228-35004-03	ROCKER SHAFT	1	
18	228-33301-03	TAPPET	2	
19	231-35005-03	PUSH ROD	2	
20	228-35701-13	TAPPET GUIDE	1	
21	231-35603-11	PUSH ROD SLEEVE	1	
22	228-35801-01	PLATE, push rod	2	
23	024-03200-70	"O" RING	2	
24	228-35013-03	GASKET, tappet guide	1	
25	002-18060-00	NUT	4	
26	003-20060-00	SPRING WASHER	4	

FIG. 6 MUFLER and AIR CLEANER - PTD405T

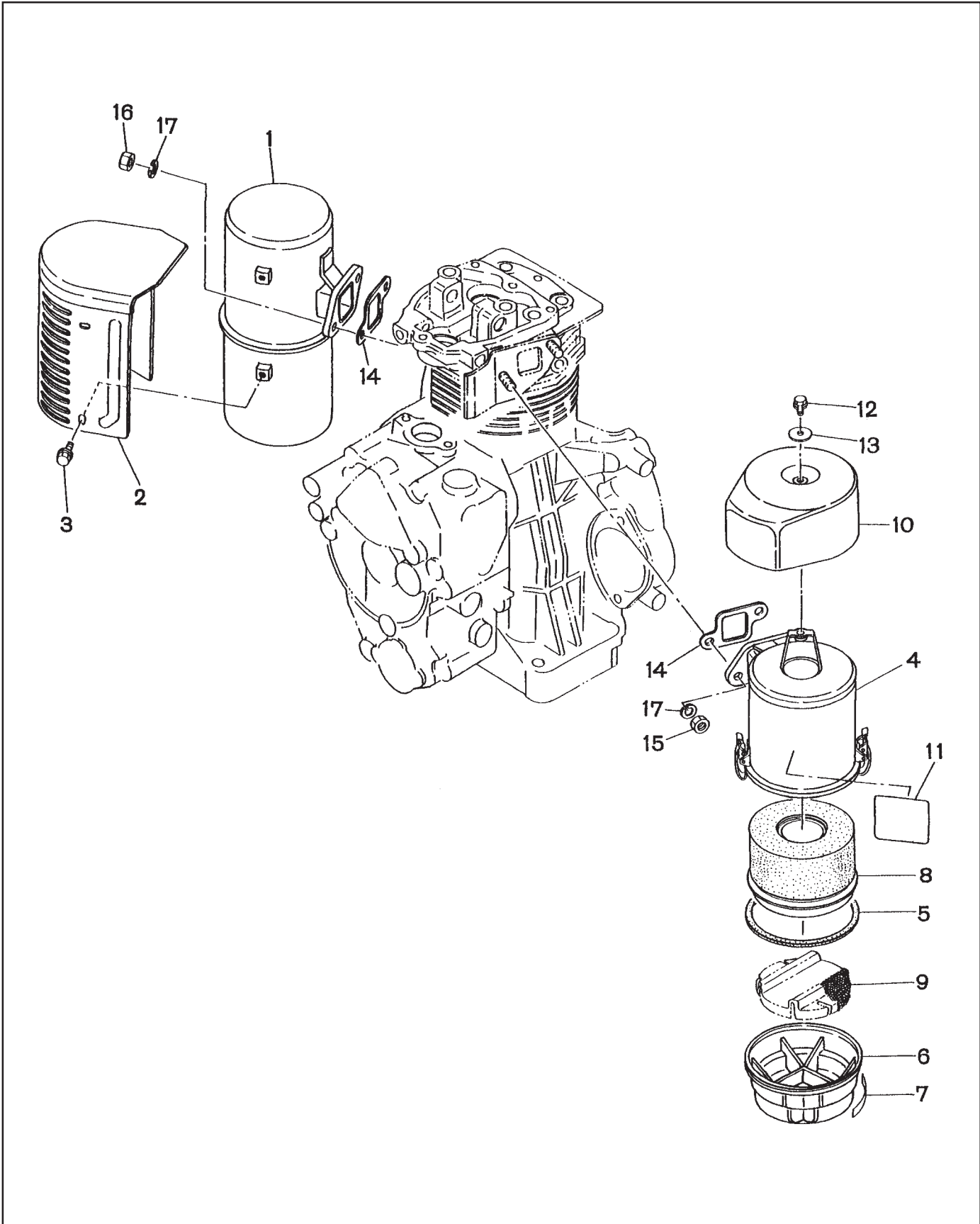


FIG. 7 GOVERNOR - PTD405T

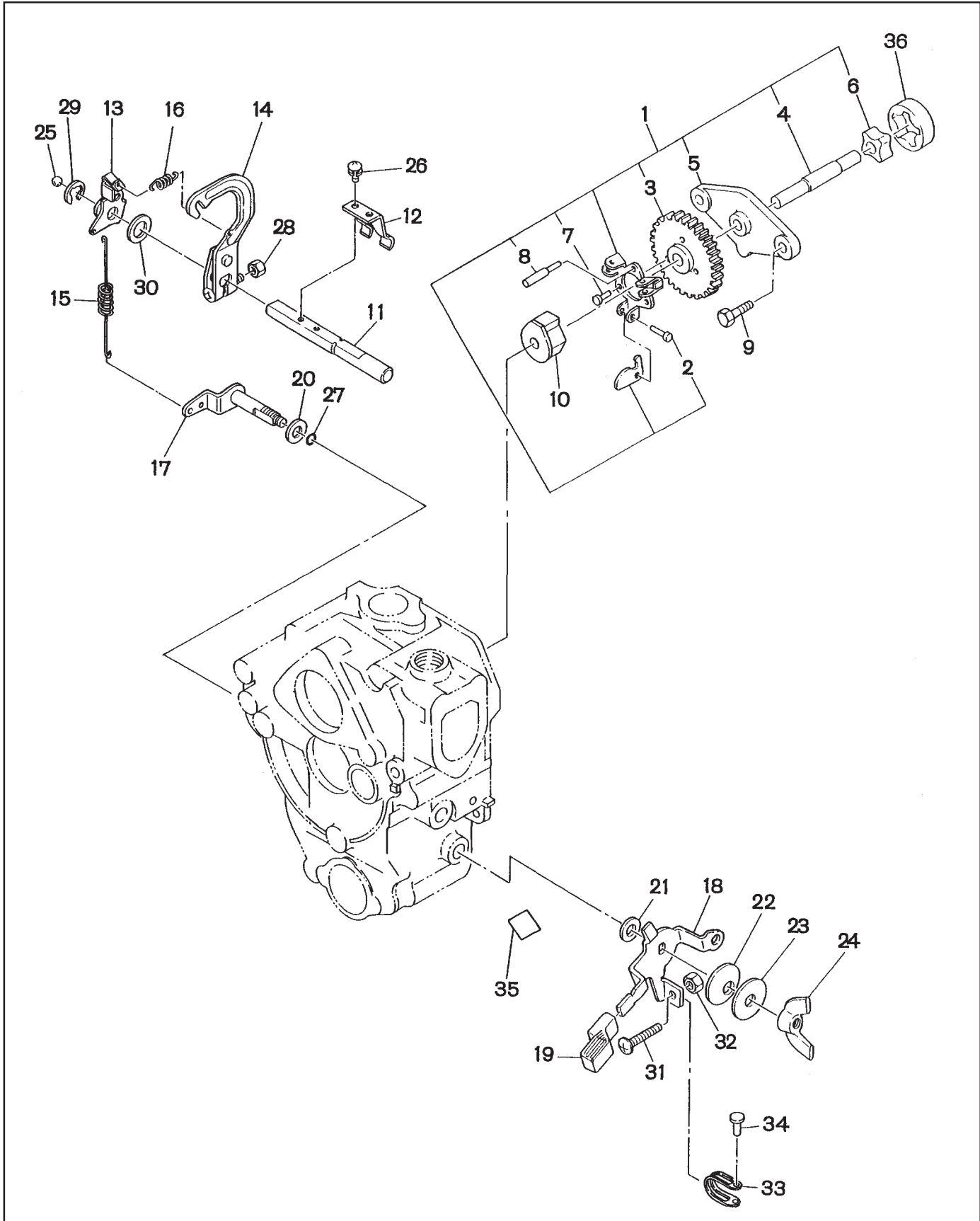


FIG. 7 GOVERNOR - PTD405T

REF	PART NUMBER	DESCRIPTION	QTY	REMARKS
*1	228-41701-30	GOVERNOR PLATE ASS'Y	1	Includes items 2 thru 8
3	228-45501-03	GOVERNOR GEAR	1	
4	228-66201-03	PUMP SHAFT	1	
5	228-66101-03	OIL PUMP COVER	1	
6	228-63901-03	OIL PUMP, inner	1	
7	033-00400-10	RIVET	2	
8	030-94000-70	LOCK PIN	1	
9	001-13062-00	BOLT and WASHER ASS'Y	2	
10	228-41910-01	GOVERNOR SLEEVE	1	
11	228-42201-03	GOVERNOR SHAFT	1	
12	228-42101-23	GOVERNOR YOKE	1	
13	228-42302-03	GOVERNOR LEVER 1	1	
14	228-42310-02	GOVERNOR LEVER 2 UNIT	1	
15	228-42501-23	GOVERNOR SPRING	1	
16	228-45001-33	START SPRING	1	
17	228-42904-02	CONTROL LINK UNIT	1	
18	231-43310-01	SPEED CONTROL 1, compl.	1	
19	228-45003-03	KNOB	1	
20	023-00800-10	SPACER	1	
21	021-70800-10	FRICTION WASHER	1	
22	020-00800-10	WASHER	1	
23	020-00800-50	WASHER	1	
24	017-90800-12	WING NUT	1	
25	045-00600-10	STEEL BALL	1	
26	004-35051-20	SCREW and WASHER ASS'Y	2	
27	006-26100-50	"O" RING	1	
28	002-18060-00	NUT	1	
29	003-13080-00	CLIP	1	
30	003-10100-00	WASHER	1	
31	004-31063-50	SCREW	1	
32	002-18060-00	NUT	1	
33	228-45004-03	LOCK PLATE	1	
34	033-00500-10	RIVET	1	
35	228-92104-03	LABEL, operation	1	
36	228-63902-03	OIL PUMP, outer	1	

FIG. 8 COOLING and STARTING - PTD405T

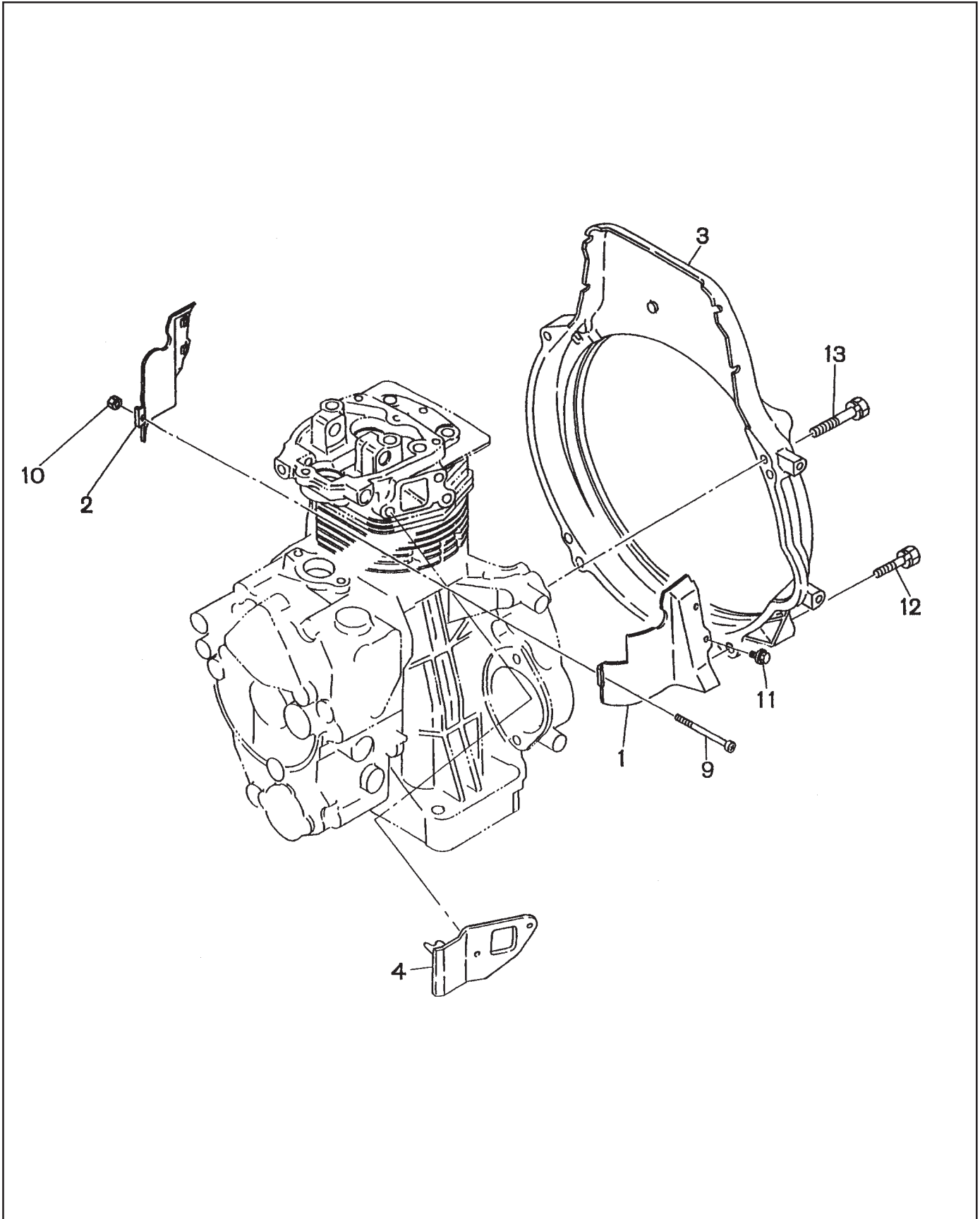


FIG. 9 RECOIL STARTER - PTD405T

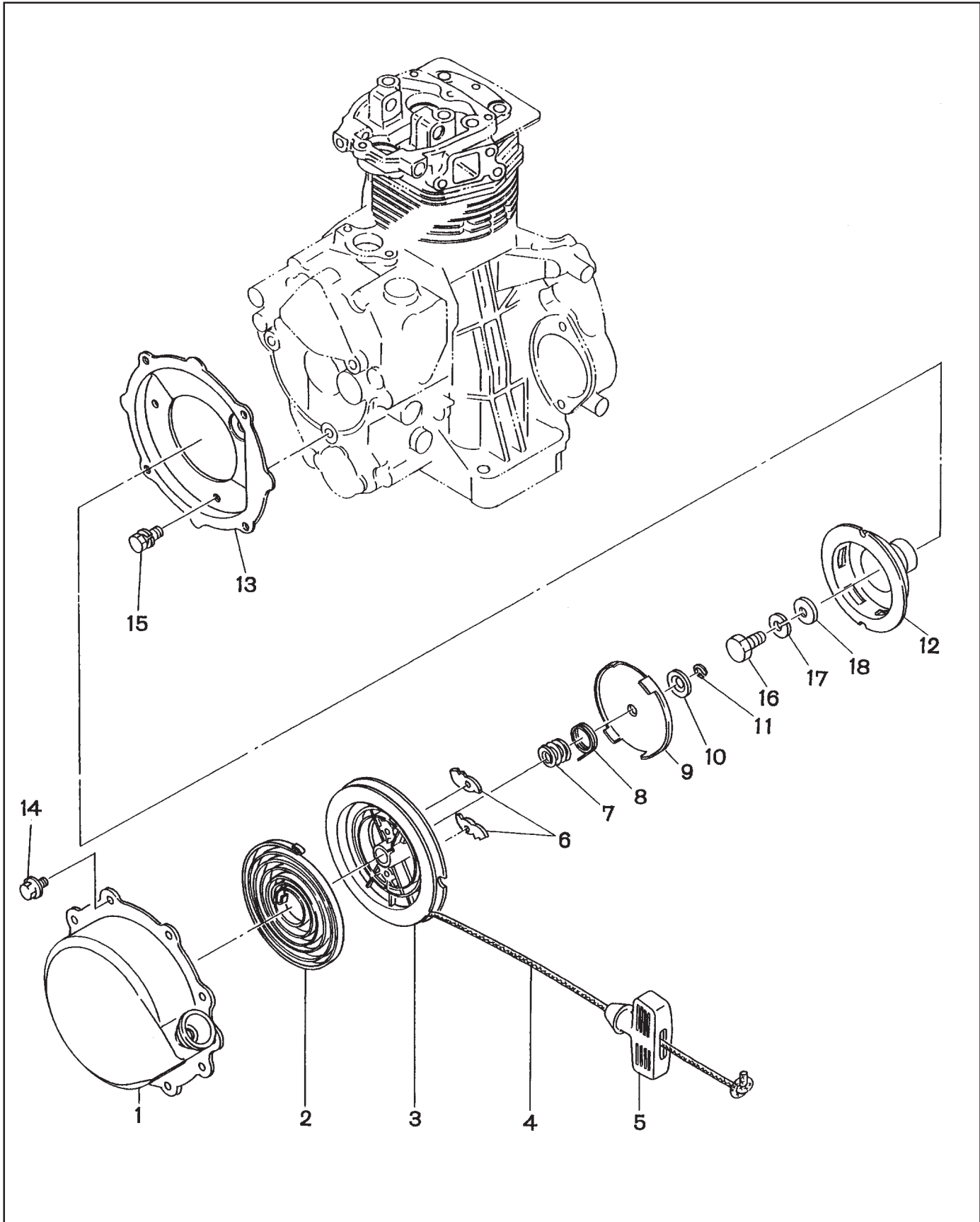


FIG. 10 FUEL TANK GROUP- PTD405T

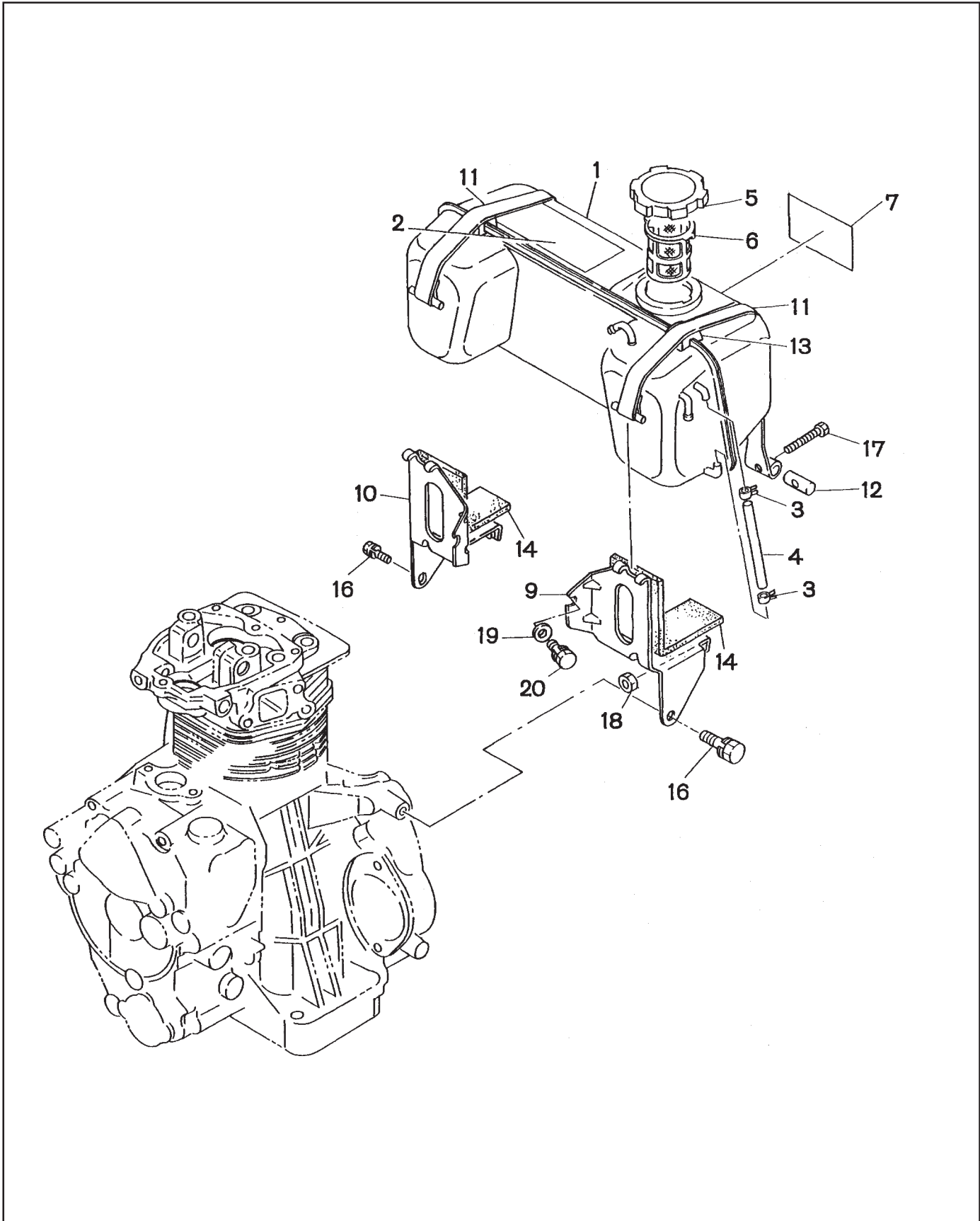


FIG. 10 FUEL TANK GROUP- PTD405T

REF	PART NUMBER	DESCRIPTION	QTY	REMARKS
* 1	228-60102-41	FUEL TANK, compl.	1	Includes item 2
2	228-91908-03	LABEL, instraction	1	
3	056-10800-10	HOSE CLAMP	2	
4	085-00500-00	VINYL PIPE (Ø5 x Ø8 x 120mm)	1	
5	043-04300-15	FUEL TANK CAP	1	
6	064-13600-10	FUEL FILTER	1	
7	231-91712-03	LABEL, trade mark	1	
9	231-61601-11	TANK BRACKET1, compl.	1	
10	231-61701-11	TANK BRACKET2, compl.	1	
11	228-65510-01	TANK BAND, compl.	2	
12	228-65601-11	PIN, tank band	2	
13	228-65001-13	BAND GUIDE	2	
14	228-65002-03	FELT	2	
16	001-13082-00	BOLT and WASHER ASS'Y	2	
17	001-66064-50	BOLT	2	
18	002-18060-00	NUT	2	
19	003-10080-00	WASHER	2	
20	001-13081-80	BOLT and WASHER ASS'Y	2	

FIG. 11 FUEL SYSTEM GROUP- PTD405T

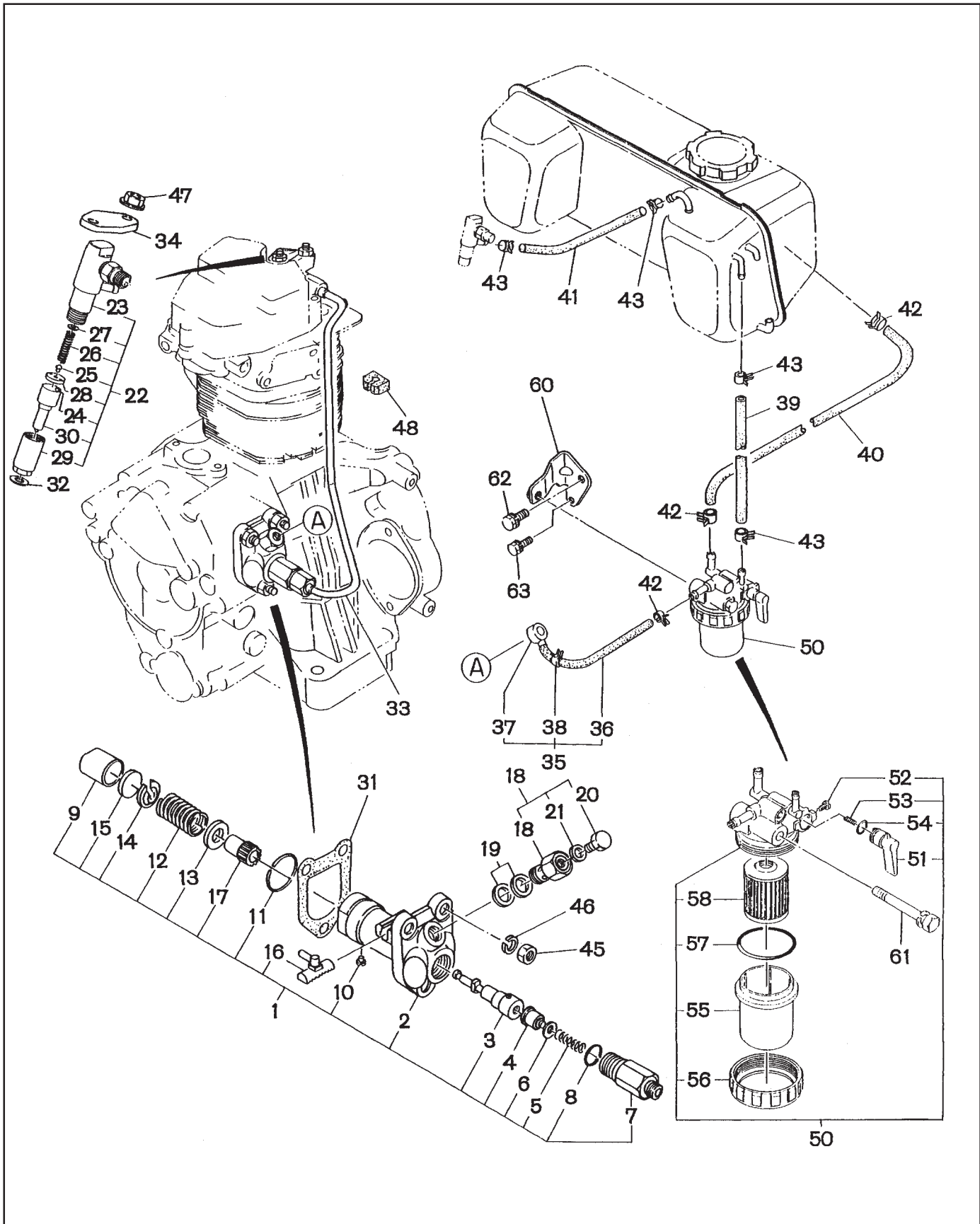


FIG. 11 FUEL SYSTEM GROUP- PTD405T

REF	PART NUMBER	DESCRIPTION	QTY	REMARKS
*1	228-63120-00	INJECTION PUMP ASS'Y	1	Includes items 2 thru 17
3	228-63102-08	PULUNGER ASS'Y	1	
4	228-63103-08	DELIVERY VALVE	1	
5	222-63104-08	SPRING, delivery valve	1	
6	222-63105-08	GASKET	1	
8	228-63105-08	"O" RING	1	
*18	228-66501-00	EYE BOLT ASS'Y	1	Includes items 18,20 and 21
18	228-63112-08	EYE BOLT	1	
19	228-66601-03	GASKET, pump	2	
20	228-63113-08	BOLT	1	
21	211-63212-08	GASKET	1	
*22	228-63201-10	NOZZLE ASS'Y	1	Includes items 23 thru 30
30	228-63211-08	NOZZLE	1	
31	228-65017-03	GASKET, pump (t=0.1)	1	
31	228-65022-03	GASKET, pump (t=0.2)	1	
31	228-65018-03	GASKET, pump (t=0.3)	1	
32	228-65004-03	GASKET, nozzle	1	
33	231-63301-01	INJECTION PIPE, compl.	1	
34	243-66001-01	BRACKET, nozzle 1	1	
*35	228-62610-01	FUEL PIPE 10, compl.	1	Includes items 36 thru 38
36	085-10600-00	RUBBER PIPE (Ø6 x Ø12 x 90mm)	1	
37	052-10500-12	BANJO	1	
38	056-11100-20	HOSE CLAMP	1	
39	085-14500-00	RUBBER PIPE (Ø4.5 x Ø9 x 90mm)	1	
40	085-10600-00	RUBBER PIPE (Ø6 x Ø12 x 260mm)	1	
41	085-14500-00	RUBBER PIPE (Ø4.5 x Ø9 x 260mm)	1	
42	056-11100-20	HOSE CLAMP	3	
43	056-10800-10	HOSE CLAMP	4	
45	002-18080-00	NUT	3	
46	003-20080-00	SPRING WASHER	3	
47	002-38060-00	FLANGE NUT	2	
48	222-65006-03	GROMMET	1	
*50	228-62106-10	FUEL FILTER ASS'Y	1	Includes items 50 thru 58
54	228-62106-08	"O" RING	1	
55	243-62101-08	CUP	1	
56	228-62108-08	RING NUT	1	
57	228-62109-08	"O" RING	1	
58	228-62110-08	ELEMENT	1	
60	228-67602-01	FUEL FILTER BRACKET, compl.	1	
61	001-13086-50	BOLT and WASHER ASS'Y	1	
62	001-13082-00	BOLT and WASHER ASS'Y	1	
63	001-13061-80	BOLT and WASHER ASS'Y	1	

PRINTED IN THE USA