



# PARTS CATALOG

# Robin

# Pump

Model

# *PTX301ST*

Spec. No. PTX301S0000  
(EX170D10120)  
PTX301S0010  
(EX170D10130)

**FUJI HEAVY INDUSTRIES LTD.**  
**INDUSTRIAL PRODUCTS COMPANY**

ISSUE EMD-PP6201
ISSUE DATE 2005.6

# HOW TO USE THIS PARTS CATALOG

REF.	PART NUMBER	PART NAME	QTY	REMARKS	CODE NO. FROM-TO	INTERCHANGEABLE PART NUMBER	UNIT PRICE	FIG.
	① 6 FUEL LUBRICANT							
10	281-60101-01	FUEL TANK CP	1	2.8L NEW R YELLOW	-			600
20	073-20044-50	LABEL (CAUTION)	1	38X70	-			600
30	043-04300-15	FUEL TANK CAP CP	1	43DX68DX14H	5296-			600
	043-04301-00	FUEL TANK CAP CP	1		-5295			600
40	064-13600-10	FUEL FILTER	1	36DX46DX43H	-			600
50	064-20064-00	FUEL STRAINER AY	1		-			630
- 1	064-20064-20	FILTER	1		-			630
- 2	064-20064-10	PACKING	1		-			630
- 3	064-20042-10	CUP, STRAINER	1		-			630

- ① **SECTION NAME** ..... Parts are broadly classified according to their functions.  
Refer to section indexes(contents)for respective section name.
- ② **FIG.No**..... It indicates illustration number. FIG.No. with the same figure in the third of hundreds shows that it is in a group of the same section. FIG.No. illustrating the target part can be read in the right-end section of the list.
- ③④ **REF.No.** ..... It is a number to compare the part illustrated with the part number in the list.Serch for REF.No. in the list in the corresponding REF.No. in the illustration to determine the part number.  
Section ④ shows a 'SUB-ASSEMBLY PART' of section ③ which is indicated by the number led by '-' such as '-1','-2'.
- ⑤ **PART NUMBER** ..... It is the number assigned for sales unit.  
Use the PART No. when marking an order.
- ⑥ **PART NAME**..... It is designation of the part.
- ⑦ **Q'ty** ..... Quantity of part being employed for each product.
- ⑧ **REMARKS** ..... This gives a distinctive feature and/or a supplementary comment for the type,the specification, and the part concerned.
- ⑨ **INTERCHANGEABLE**... It shows part number(s) interchangeable for the part given in the section  
**PART NUMBER** ⑤.
- ⑩ **CODE No.** ..... It indicates history of progress in which improved parts have been introduced in the product.The CODE No. helps to identify PART No. being employed in the product concerned.

-	The part has been employed in the product irrespective of CODE No.
5296-	The part is employed in the products with CODE No. of 5296 and after this number.
-5295	The part is employed in the products with CODE No. of 5295 and before this number.

## Table of abbreviations/略語一覧

ABBREVIATIONS/略語	DESCRIPTION	説明
A	AMPERE	アンペア
AC	AIR CLEANER	エアクリーナ
AY	ASSEMBLY	アッセンブリ
B	BREADTH	幅
BB	BALL BEARING	ボールベアリング
CD	CENTER DISTANCE	中心間距離
CP	COMPLETE	コンプリート
CY	CYLINDER	シリンダ
D	DIAMETER	内径、外径、中心径
EX	EXPORT	輸出
EX	EXHAUST	排気
FIG	FIGURE	フィギュア (図解)
FR	FRONT	前側
H	HEIGHT	高さ
HZ	HERTZ	ヘルツ
IN	INCH	インチ
IN	INTAKE	吸入
L	LITER	リットル
L	LENGTH	長さ
LH	LEFT HAND	左側
MG	MAGNETIC	マグネチック
N	NUMBER	数、巻数
N R Y	NEW ROBIN YELLOW	新ロビン色
OS	OIL SENSOR	オイルセンサ
O. S.	OVER SIZE	オーバーサイズ
P	PITCH	ピッチ
PD	PITCH DIAMETER	中心径
PTO	POWER TAKE OFF	動力取出し
REF	REFERENCE	レファレンス (照合)
RH	RIGHT HAND	右側
RR	REAR	後側
ST	STARTER MOTOR	スターターモータ
STD	STANDARD	標準
SW	SPRING WASHER	スプリングワッシャ
SW	SWITCH	スイッチ
T	THICKNESS	厚さ
TH	THROTTLE	スロットル
UN	UNIT	ユニット
U. S.	UNDER SIZE	アンダーサイズ
V	VOLTAGE	ボルト
W	WASHER	ワッシャ
W	WATT	ワット
W	WIDTH	幅
W/	WITH	付き
W/O	WITHOUT	無し

# CONTENTS

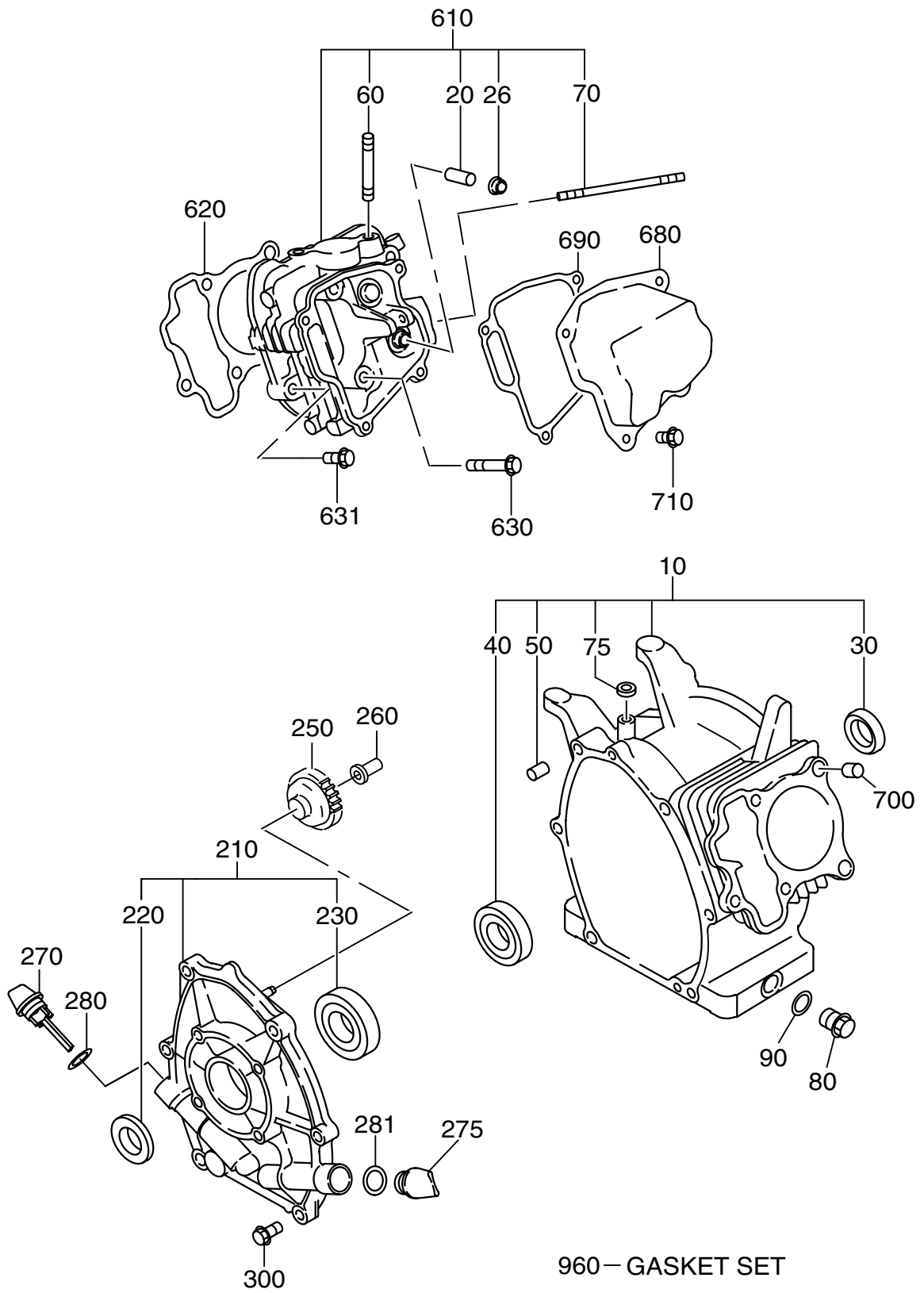
## ENGINE PARTS

		FIG.
1	CRANKCASE	100
2	CRANKSHAFT, PISTON	200
3	INTAKE, EXHAUST	300,315
4	GOVERNOR, OPERATION	400
5	COOLING, STARTING	500,520
6	FUEL LUBRICANT	600,640
7	ELECTRIC DEVICE	700,770
8	ACCESSORIES	900

## PUMP PARTS

42	PUMP	4200
----	------	------

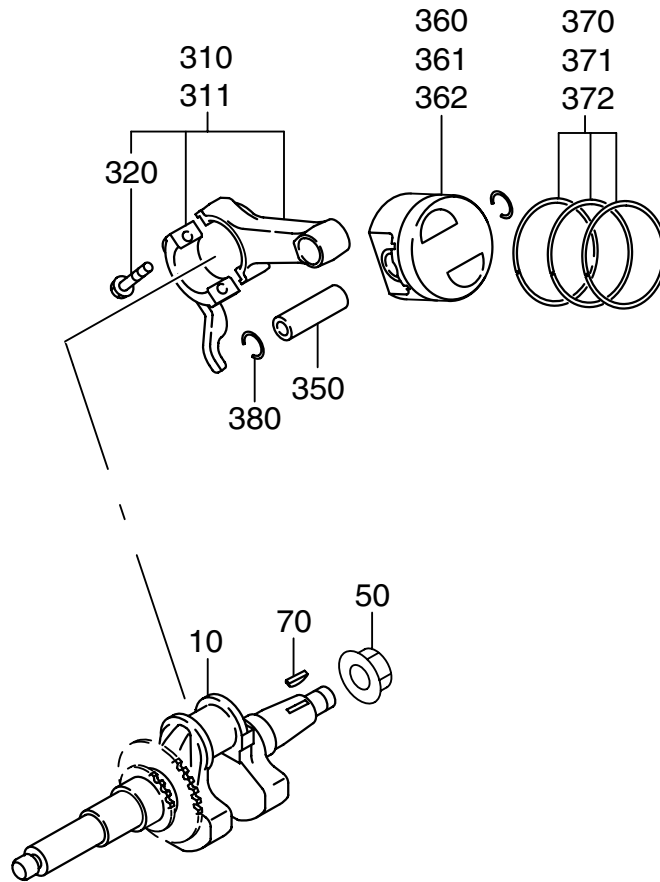
FIG. 100



1 CRANK CASE

REF. NO.	PART NUMBER		PART NAME		CODE NO. FROM - TO	QTY	REMARKS	INTERCHANGEABLE PART NUMBER	FIG. NO.
		PART NUMBER		SPEC. NO.					
10	277-10101-41		CRANK CASE CP		-	1			100
	277-10102-41		EX170D10130		-	1	W/OIL SENSOR		100
20	237-14202-03		VALVE GUIDE		-	2	5. 5DX9. 5DX27L		100
26	277-16010-01		STEM SEAL		-	1	5. 5DX9. 5DX15DX7. 8B		100
30	044-02502-00		OIL SEAL		-	1	25DX38DX7B		100
40	060-02800-21		BALL BEARING		-	1	28DX58DX16B		100
50	277-15011-03		PIPE KNOCK		-	2	10. 3DX8. 5DX14L		100
60	010-50802-50		STUD		-	2	M8X1. 25X25L		100
70	010-50603-51		STUD		-	2	M6X1. 0X98L		100
75	044-00600-20		OIL SEAL		-	1	6DX10DX2. 5B		100
80	040-11400-30		PLUG		-	2	M14X1. 5X20DX12L		100
90	021-11400-20		GASKET		-	2	14. 1DX19DX2. 3T		100
210	277-11001-31		MAIN BEARING COVER C		-	1	FLANGE 4-M8X1. 25		100
220	044-02502-10		OIL SEAL		-	1	25DX41. 25DX6B		100
230	060-02501-40		BALL BEARING		-	1	25DX52DX15B		100
250	277-45004-H1		GOVERNOR GEAR CP		-	1	53DX29. 1T N=33		100
260	277-41901-03		GOVERNOR SLEEVE		-	1	6DX7. 6DX16DX26L		100
270	277-63601-13		OIL GAUGE		-	2	M18X1. 5 L=70+18		100
275	277-65001-03		FILLER PLUG		-6209	1			100
280	021-31600-20		GASKET		-	2	16DX23DX1. 2T RUBBER		100
281	021-31600-20		GASKET		-6209	1	16DX23DX1. 2T RUBBER		100
300	001-04083-50		FLANGE BOLT		-	6			100
610	277-13001-11		CYLINDER HEAD CP		-	1			100
620	277-15001-23		GASKET (HEAD)		-	1	T=0. 2		100
630	011-00802-40		FLANGE BOLT		-	4	M8X1. 25X16DX68L		100
631	011-00803-10		FLANGE BOLT		6179-	1	M8X1. 25X16DX33L		100
	001-04083-50		FLANGE BOLT		-6178	1			100
680	277-15503-01		ROCKER COVER CP		6666-	1			100
	277-15501-01		ROCKER COVER CP		-6665	1		277-15503-01	100
690	277-16001-13		GASKET (ROCKER COVER)		6210-	1	T=0. 5		100
	277-16001-03		GASKET (ROCKER COVER)		-6209	1	T=0. 7	277-16001-13	100
700	277-15011-03		PIPE KNOCK		-	2	10. 3DX8. 5DX14L		100
710	011-00600-20		FLANGE BOLT		-	4	M6X1. 0X14DX12L		100
960	277-99001-27		GASKET SET		-	1			100

FIG. 200









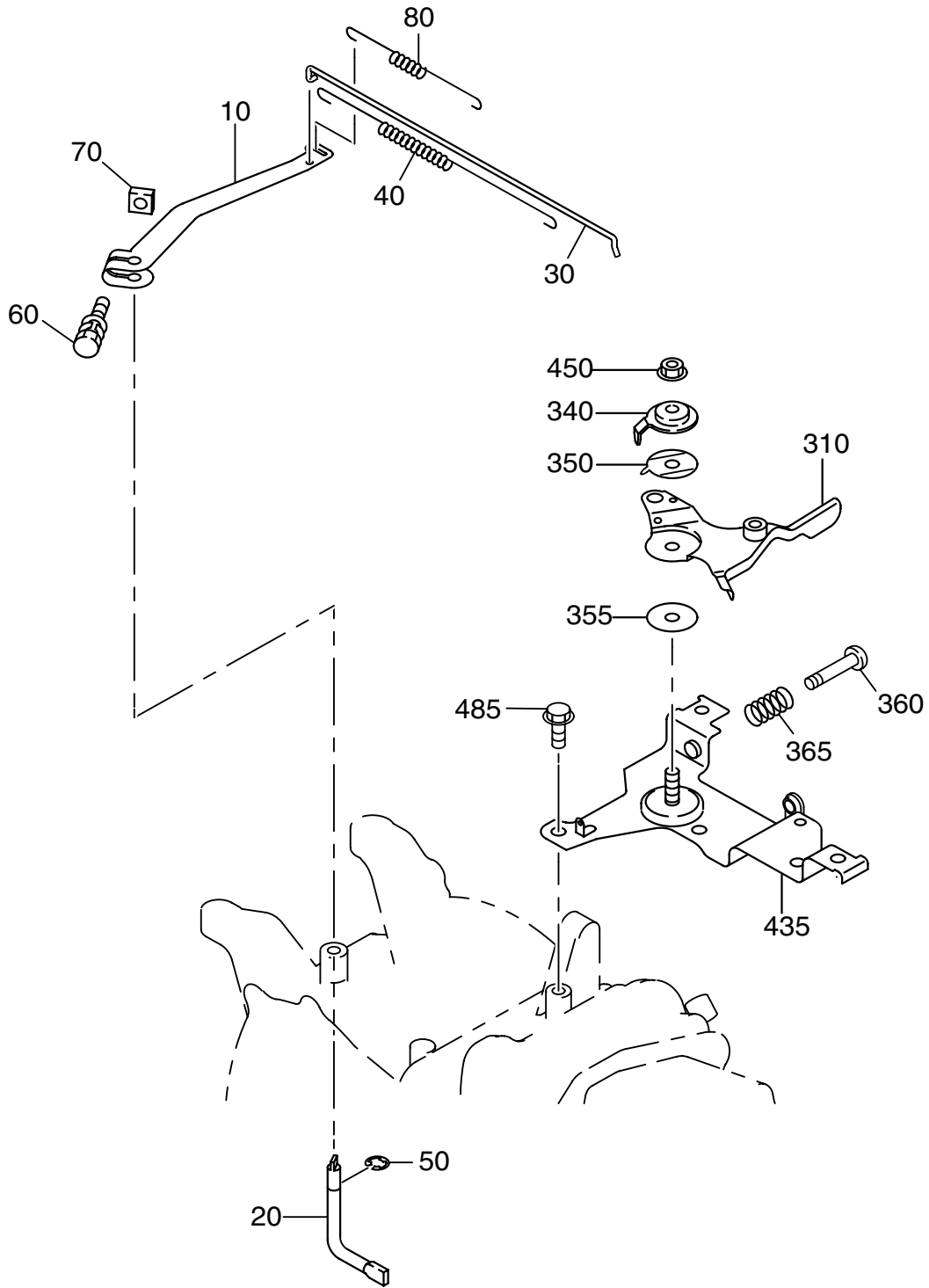
## 3 INTAKE EXHAUST

REF. NO.	PART NUMBER		PART NAME		CODE NO. FROM - TO	QTY	REMARKS	INTERCHANGEABLE PART NUMBER	FIG. NO.
		PART NUMBER		SPEC. NO.					
10	277-31601-31		CAM SHAFT CP		6545-	1			300
	277-31601-11		CAM SHAFT CP		-6544	1	85DX2. 9B N=40	277-31601-21	300
25	277-35101-03		PIN(CAM SHAFT)		-	1	9DX78. 5L		300
27	024-00600-10		O RING		-	1	5. 8DX9. 6D		300
34	277-38601-03		PIN(SPRING)		-	1	4DX8DX9L		300
35	277-36401-03		RELEASE LEVER		-	1			300
37	277-36501-03		CLIP		-	1	13. 8DX20. 3DX0. 4T		300
38	277-38702-03		RETURN SPRING		-	1	5. 1DX0. 6DX4. 4L N=7		300
60	279-33601-03		VALVE SPRING		-	2	19. 2DX2. 3DX27. 4L		300
70	269-33701-03		SPRING RETAINER		-	2			300
80	277-33401-H3		INTAKE VALVE		6291-	1	25. 5DX5. 5DX68. 1L		300
	277-33401-13		INTAKE VALVE		-6290	1	25. 5DX5. 5DX68. 1L	277-33401-H3	300
90	277-33501-H3		EXHAUST VALVE		6291-	1	23. 5DX5. 5DX68. 1L		300
	277-33501-13		EXHAUST VALVE		-6290	1	23. 5DX5. 5DX68. 1L	277-33501-H3	300
95	132-10KA0-31		COLLET-VALVE		-	4			300
150	277-35601-11		TIMING CHAIN CP		-	1	88 LINK		300
160	277-36911-03		TENTIONER		-	1			300
163	277-37101-03		SPRING(TENTIONER)		-	1	10DX1. 8DX14L N=4. 5		300
166	277-36902-03		PIN(TENTIONER)		-	1	6DX13DX34L		300
170	277-36913-13		CHAIN GUIDE		-	1			300
200	277-35002-01		PIN(ROCKER) CP		-	1	6DX46L		300
202	003-13050-00		CLIP		-	1			300
220	277-36201-00		ROCKER ARM(IN) AY		-	1			300
225	277-36202-00		ROCKER ARM(EX) AY		-	1			300
230	014-90500-20		ADJUST SCREW		-	1	M5X0. 5X23L		300
231	014-90500-20		ADJUST SCREW		-	1	M5X0. 5X23L		300
240	017-00500-30		NUT		-	1	M5X0. 5X4. 1H		300
241	017-00500-30		NUT		-	1	M5X0. 5X4. 1H		300
290	011-00600-20		FLANGE BOLT		-	1	M6X1. 0X14DX12L		300
310	277-30101-H1		MUFFLER CP		6484-	1			300
	277-30101-21		MUFFLER CP		-6483	1		277-30101-H1	300
320	277-34201-11		MUFFLER COVER CP		-	1			300
340	277-35201-13		GASKET(MUFFLER)		-	1	T=0. 2 26D 9DX58P		300
350	980-20082-80		FLANGE NUT		-	2			300
360	015-20600-90		TAPPING BOLT		-	2	M6X13DX10L		300
361	011-00600-10		FLANGE BOLT		-	1	M6X1. 0X14DX8L		300





FIG. 400



EX17

2770400108



FIG. 500

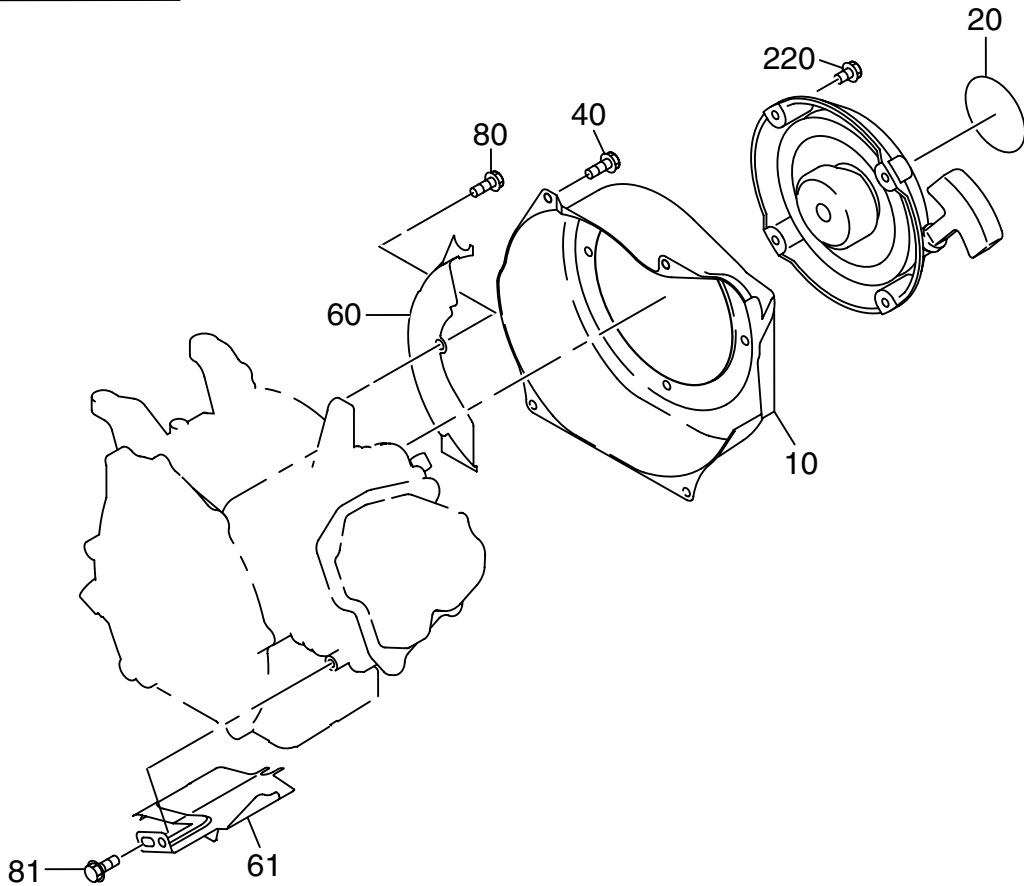


FIG. 520

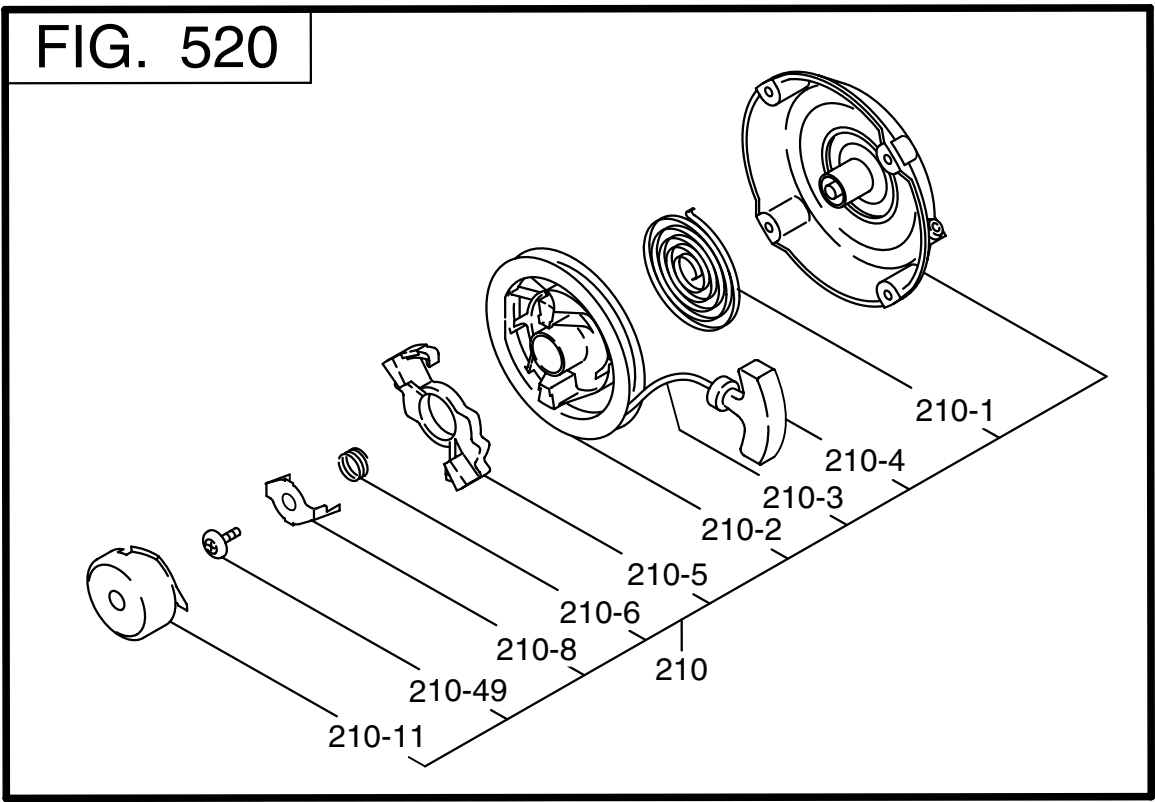






FIG. 600

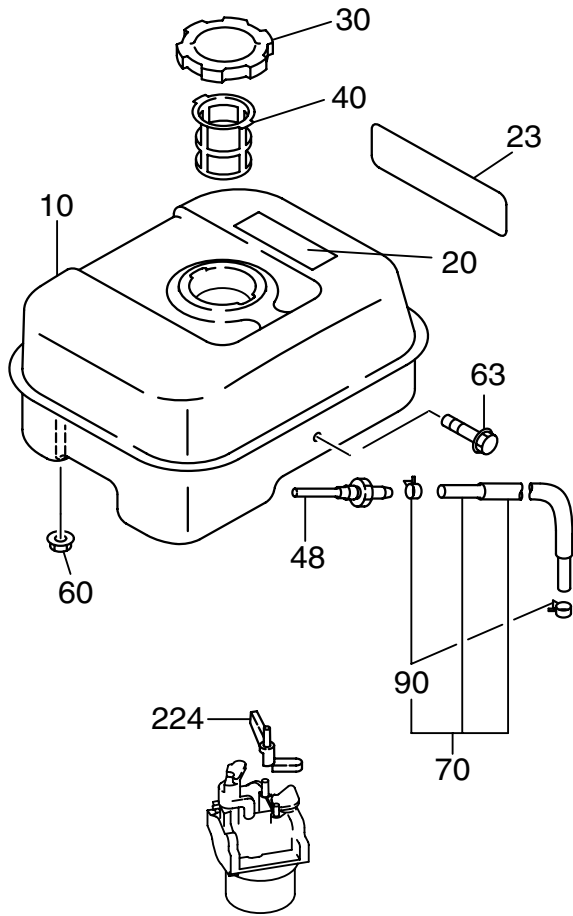
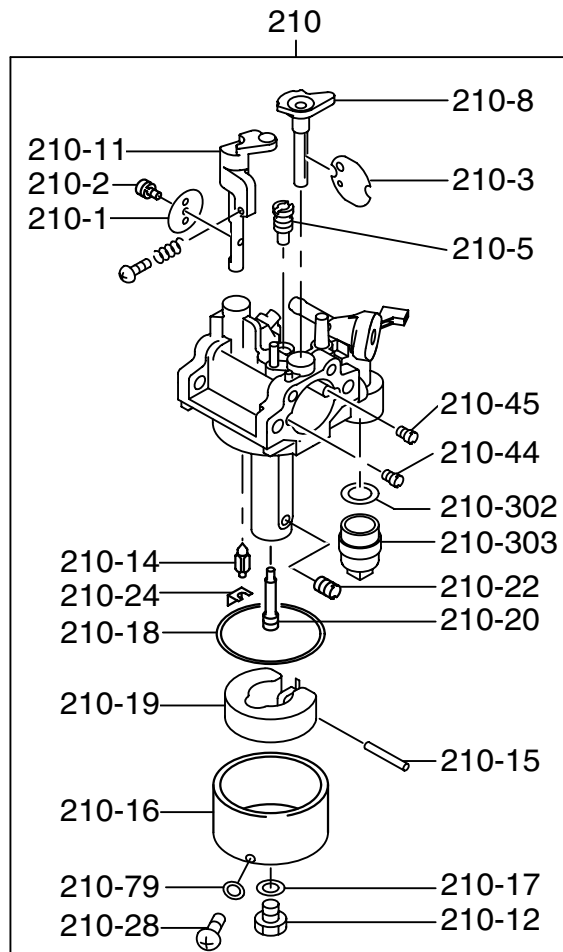


FIG. 640



## 6 FUEL LUBRICANT

REF. NO.	PART NUMBER		PART NAME		CODE NO. FROM - TO	QTY	REMARKS	INTERCHANGEABLE PART NUMBER	FIG. NO.
		PART NUMBER		SPEC. NO.					
10		277-60101-11		FUEL TANK CP	-	1	3. 6L ROBIN YELLOW		600
20		073-20051-81		LABEL (WARNING)	-	1	42X104 ENGLISH		600
23		277-95111-03		LABEL (MODEL)	-	1			600
30		043-04400-50		FUEL TANK CAP CP	-	1	43DX68DX14H BLACK		600
40		X64-13600-10		FUEL FILTER	6331-	1			600
		064-13600-10		FUEL FILTER	-6330	1	36DX46DX43H		600
48		050-51200-20		UNION	-	1	M12X4DX78L W/FILTER		600
60		002-38060-00		FLANGE NUT	-	2			600
63		011-00601-30		FLANGE BOLT	-	1	M6X1. 0X14DX25L		600
70		277-62605-K1		FUEL PIPE CP	6270-	1	6DX11DX150L		600
		277-62605-J1		FUEL PIPE CP	-6269	1	6DX11DX150L		600
90		X56-11100-20		HOSE CLAMP	-	2	10. 5DX8BX0. 7T		600
210		277-62301-20		CARBURETOR AY	6289-	1			640
		277-62301-10		CARBURETOR AY	-6288	1		277-62301-20	640
- 1		277-62535-08		THROTTLE VALVE	-	1	#160		640
- 2		209-62351-08		SCREW	-	1			640
- 3		277-62525-08		CHOKE VALVE	-	1			640
- 5		246-62420-08		PILOT JET	-	1	#40		640
- 8		277-62520-08		CHOKE LEVER	-	1			640
- 11		277-62530-18		THROTTLE SHAFT-A	-	1			640
- 12		227-62451-08		BOLT	-	1			640
- 14		277-62500-08		NEEDLE	-	1			640
- 15		277-62515-08		PIN	-	1			640
- 16		277-62506-08		FLOAT BODY	-	1			640
- 17		214-62450-08		PACKING	-	1			640
- 18		214-62540-08		CHAMBER PACKING	-	1			640
- 19		226-62506-08		FLOAT AY	-	1			640
- 20		277-62440-08		MAIN NOZZLE	-	1			640
- 22		277-62402-08		MAIN JET	-	1	#81. 3		640
- 24		226-62701-18		CLIP	-	1			640
- 28		277-62360-08		BOLT	-	1			640
- 44		248-62410-08		AIR JET	-	1			640
- 45		106-62410-08		AIR JET (PILOT)	-	1			640
- 79		236-62541-08		PACKING	-	1			640
-302		277-62110-08		PACKING	6289-	1			640
		064-20064-10		PACKING	-6288	1			640





FIG. 700

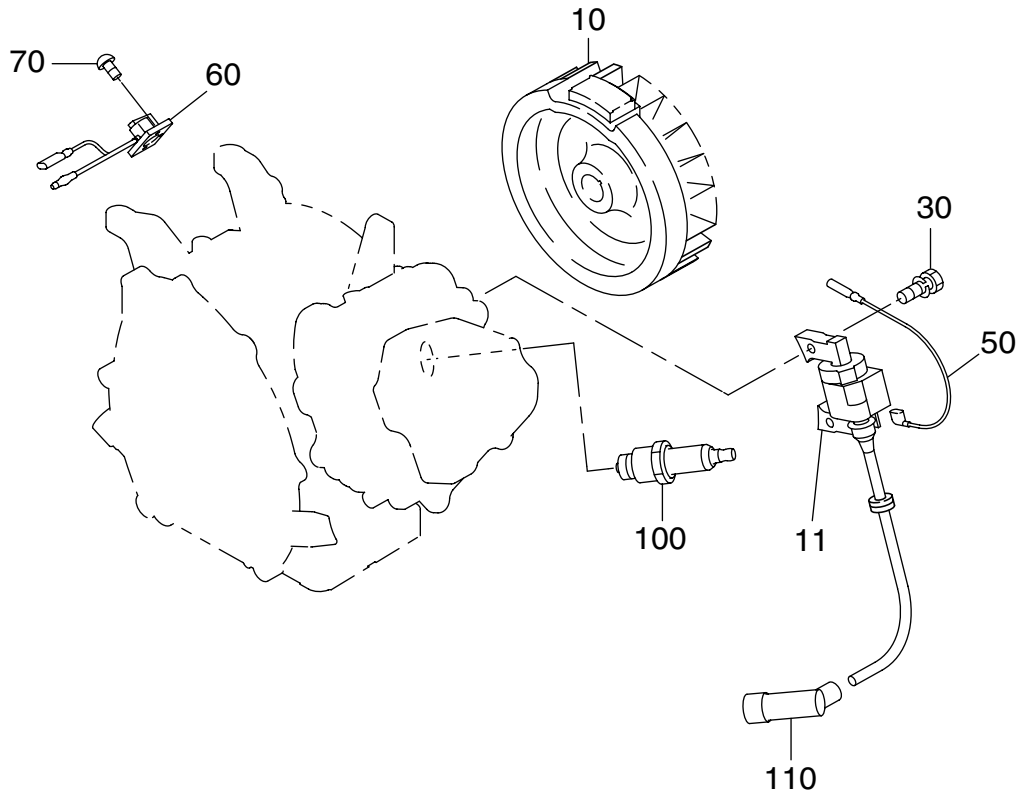


FIG. 770

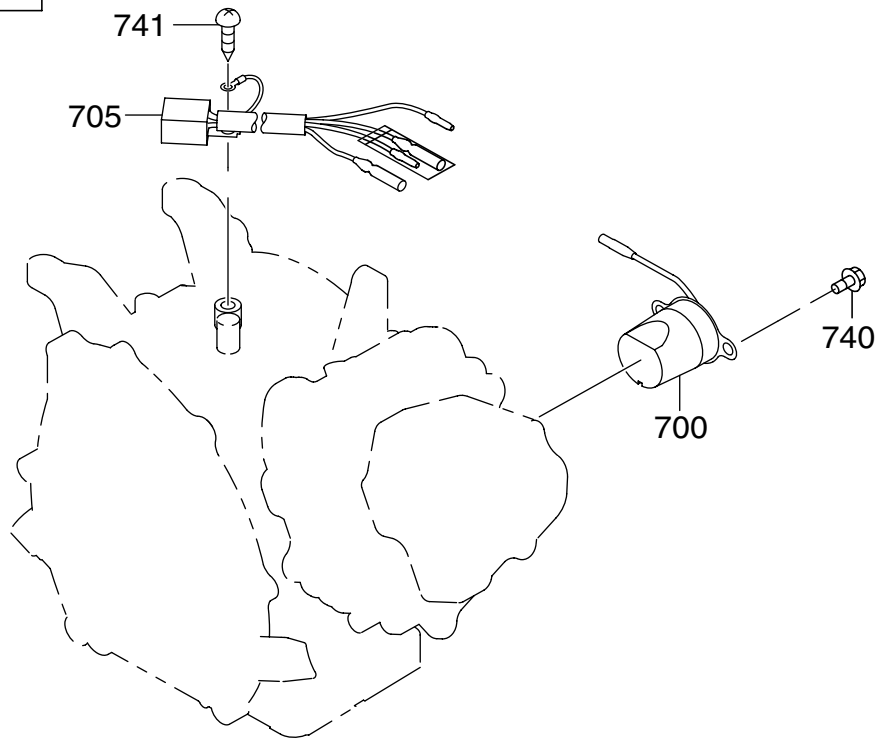




FIG. 900

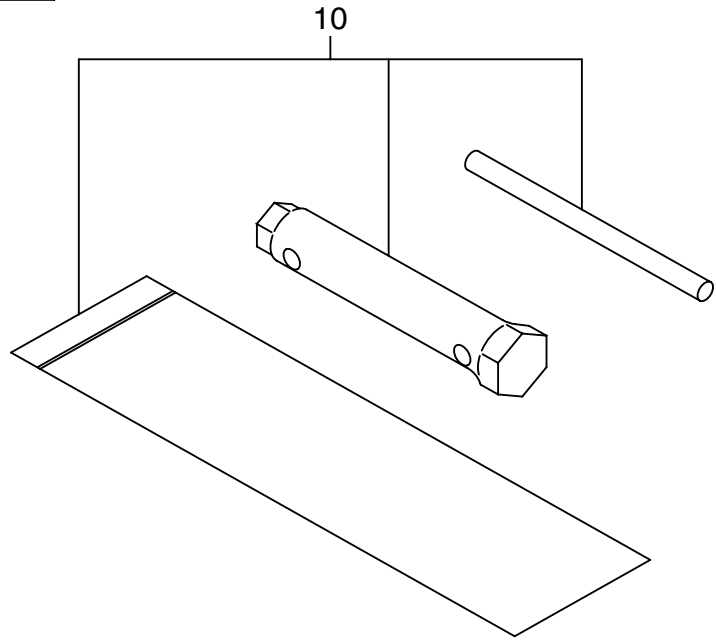
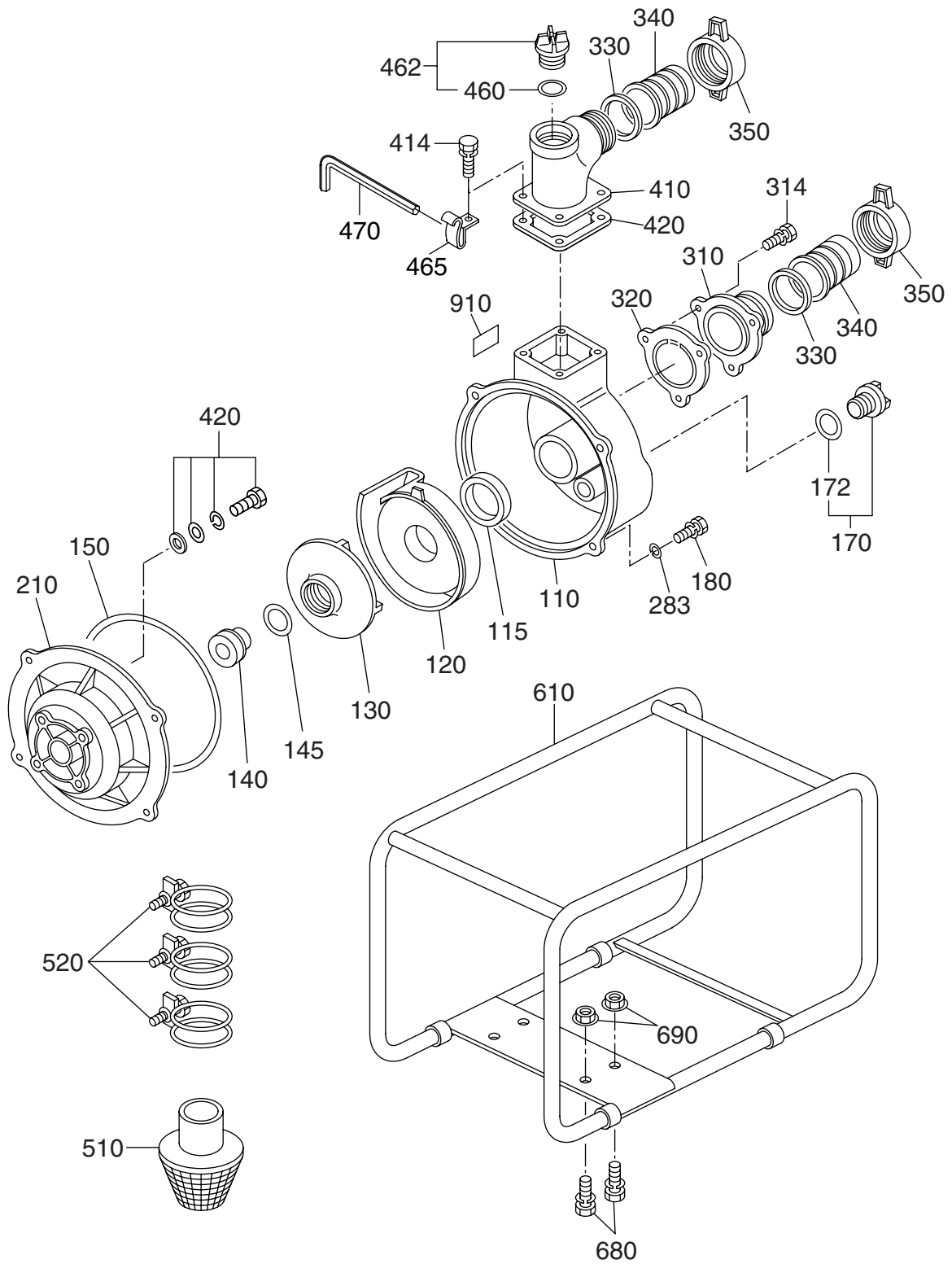






FIG. 4200



EX17

484420201

## 4 2 PUMP

REF. NO.	PART NUMBER		PART NAME		CODE NO. FROM - TO	QTY	REMARKS	INTERCHANGEABLE PART NUMBER	FIG. NO.
		PART NUMBER		SPEC. NO.					
110	480-08030-01		CASING		-	1			4200
115	480-08010-12		PACKING, INNER CASING		-	1			4200
120	480-08710-11		INNER CASING		-	1			4200
130	480-08710-09		IMPELLER		-	1			4200
140	480-05210-08		MECHANICAL SEAL		-	1			4200
145	480-08010-37		SHIM		-	1	T=0.3		4200
146	480-08010-38		SHIM		-	1	T=0.6		4200
150	480-05010-02		O-RING		-	1			4200
170	480-05010-21		PLUG, DRAIN		-	1			4200
172	480-05010-22		O-RING		-	1			4200
180	480-05710-99		SOCKET BOLT		-	4			4200
210	480-05010-04		CASING COVER		-	1			4200
280	480-05010-05		CASING BOLT AY		-	4			4200
283	481-00001-71		SPRING WASHER		-	4			4200
310	480-08010-13		VALVE CASE		-	1			4200
314	480-08010-14		BOLT & WASHER AY		-	3			4200
320	480-08010-15		CHECK VALVE		-	1			4200
330	480-08010-17		PACKING, COUPLING		-	2			4200
340	481-00001-08		HOSE NIPPLE		-	2			4200
350	480-08010-16		COUPLING, HANDLE		-	2			4200
410	480-08010-19		BEND		-	1			4200
414	481-00001-70		HEX BOLT		-	4			4200
420	480-08010-20		PACKING BEND		-	1			4200
460	480-05010-22		O-RING		-	1			4200
462	480-05010-21		PLUG, DRAIN		-	1			4200
465	480-05710-21		HOOK		-	1			4200
470	480-05710-92		HEX SOCKET SCREW		-	1			4200
510	480-08750-29		STRAINER (ABS)		-	1			4200
520	480-08010-28		HOSE BAND		-	3			4200
610	481-00001-51		FRAME		-	1			4200
680	480-05010-23		HEX BOLT		-	4			4200
690	480-05010-24		FLANGE NUT		-	4			4200
910	484-00010-03		LABEL (PUMP NAME)		-	1			4200
	484-00018-03		PTX301S0010		-	1			4200

PART NUMBER INDEX LIST

PART NUMBER	PART NAME	FIG.	REF.	PART NUMBER	PART NAME	FIG.	REF.
KU3-11043-11	FLOAT C/U CP3	770	705	060-02800-21	BALL BEARING	100	40
X56-11100-20	HOSE CLAMP	600	90	064-13600-10	FUEL FILTER	600	40
X64-13600-10	FUEL FILTER	600	40	064-20064-10	PACKING	640	210 -302
X66-00003-61	SWITCH AY	700	60	064-20078-10	CUP	640	210 -303
001-04061-60	FLANGE BOLT	500	80	065-01401-50	SPARK PLUG	700	100
001-04083-50	FLANGE BOLT	100	300	065-50002-70	SPARK PLUG CAP	700	110
001-04083-50	FLANGE BOLT	100	631	073-20051-81	LABEL(WARNING)	600	20
001-14061-60	BOLT AND WASHER AY	770	740	073-20054-70	LABEL(TRADE MARK)	500	20
001-14062-50	BOLT AND WASHER AY	700	30	106-62410-08	AIR JET(PILOT)	640	210 - 45
002-35060-00	SELF LOCK NUT	400	450	132-10KA0-31	COLLET-VALVE	300	95
002-38060-00	FLANGE NUT	300	570	209-62351-08	SCREW	640	210 - 2
002-38060-00	FLANGE NUT	600	60	214-62450-08	PACKING	640	210 - 17
003-13050-00	CLIP	300	202	214-62540-08	CHAMBER PACKING	640	210 - 18
003-13050-00	CLIP	400	50	226-50716-08	SPIRAL SPRING	520	210 - 1
004-31062-50	SCREW	400	360	226-62506-08	FLOAT AY	640	210 - 19
010-50603-51	STUD	100	70	226-62701-18	CLIP	640	210 - 24
010-50802-50	STUD	100	60	227-62451-08	BOLT	640	210 - 12
011-00600-10	FLANGE BOLT	300	361	236-62541-08	PACKING	640	210 - 79
011-00600-20	FLANGE BOLT	100	710	237-14202-03	VALVE GUIDE	100	20
011-00600-20	FLANGE BOLT	300	290	237-45004-23	SPRING (ADJUST)	400	365
011-00600-20	FLANGE BOLT	400	485	246-62420-08	PILOT JET	640	210 - 5
011-00600-20	FLANGE BOLT	500	81	248-62410-08	AIR JET	640	210 - 44
011-00600-30	FLANGE BOLT	500	40	269-33701-03	SPRING RETAINER	300	70
011-00600-50	FLANGE BOLT	300	580	277-10101-41	CRANK CASE CP	100	10
011-00601-30	FLANGE BOLT	600	63	277-10102-41	CRANK CASE CP	100	10
011-00801-50	FLANGE BOLT	300	365	277-11001-31	MAIN BEARING COVER C	100	210
011-00802-40	FLANGE BOLT	100	630	277-13001-11	CYLINDER HEAD CP	100	610
011-00803-10	FLANGE BOLT	100	631	277-15001-23	GASKET (HEAD)	100	620
011-00803-20	FLANGE BOLT	300	365	277-15011-03	PIPE KNOCK	100	50
013-00602-40	BOLT AND WASHER AY	400	60	277-15011-03	PIPE KNOCK	100	700
013-00602-80	BOLT AND WASHER AY	500	220	277-15501-01	ROCKER COVER CP	100	680
014-90500-20	ADJUST SCREW	300	230	277-15503-01	ROCKER COVER CP	100	680
014-90500-20	ADJUST SCREW	300	231	277-16001-03	GASKET(ROCKER COVER)	100	690
015-00400-60	TAPPING SCREW	300	387	277-16001-13	GASKET(ROCKER COVER)	100	690
015-00400-90	TAPPING SCREW	700	70	277-16010-01	STEM SEAL	100	26
015-20500-10	TAPPING SCREW	770	741	277-20301-21	CRANK SHAFT CP	200	10
015-20600-90	TAPPING BOLT	300	360	277-22501-10	CONNECTING ROD AY	200	310
017-00500-30	NUT	300	240	277-22502-00	CONNECTING ROD AY	200	311
017-00500-30	NUT	300	241	277-23001-03	CONNECTING ROD BOLT	200	320
018-01400-20	FLANGE NUT	200	50	277-23301-03	PISTON PIN	200	350
018-60600-20	NUT	400	70	277-23301-13	PISTON PIN	200	350
020-00601-70	WASHER	400	350	277-23401-H3	PISTON	200	360
021-11400-20	GASKET	100	90	277-23401-J3	PISTON	200	360
021-31600-20	GASKET	100	280	277-23403-H3	PISTON	200	361
021-31600-20	GASKET	100	281	277-23403-J3	PISTON	200	361
021-70600-70	FRICTION WASHER	400	355	277-23404-H3	PISTON	200	362
024-00600-10	O RING	300	27	277-23404-J3	PISTON	200	362
032-30300-10	WOODRUFF KEY	200	70	277-23511-37	PISTON RING SET	200	370
040-11400-30	PLUG	100	80	277-23512-17	PISTON RING SET	200	371
043-04400-50	FUEL TANK CAP CP	600	30	277-23513-17	PISTON RING SET	200	372
044-00600-20	OIL SEAL	100	75	277-30101-H1	MUFFLER CP	300	310
044-02502-00	OIL SEAL	100	30	277-30101-21	MUFFLER CP	300	310
044-02502-10	OIL SEAL	100	220	277-31601-11	CAM SHAFT CP	300	10
050-51200-20	UNION	600	48	277-31601-31	CAM SHAFT CP	300	10
056-51600-10	CLIP	200	380	277-32602-08	COVER CP	315	510 -250
060-02501-40	BALL BEARING	100	230	277-32603-08	ELEMENT	315	520

PART NUMBER INDEX LIST

PART NUMBER	PART NAME	FIG. REF.	PART NUMBER	PART NAME	FIG. REF.
277-32604-08	PACKING	315 510 -220	277-52711-21	BAFFLE 1(CASE) CP	500 60
277-32609-08	LABEL	315 510 -260	277-60101-11	FUEL TANK CP	600 10
277-32610-08	PACKING	315 510 -200	277-62100-08	CUP	640 210 -303
277-32611-00	AIR CLEANER AY	315 510	277-62110-08	PACKING	640 210 -302
277-32760-08	BREATHER PIPE	300 850	277-62301-10	CARBURETOR AY	640 210
277-32902-H1	INSULATOR CP	300 540	277-62301-20	CARBURETOR AY	640 210
277-32902-J1	INSULATOR CP	300 540	277-62360-08	BOLT	640 210 - 28
277-33401-H3	INTAKE VALVE	300 80	277-62402-08	MAIN JET	640 210 - 22
277-33401-13	INTAKE VALVE	300 80	277-62440-08	MAIN NOZZLE	640 210 - 20
277-33501-H3	EXHAUST VALVE	300 90	277-62500-08	NEEDLE	640 210 - 14
277-33501-13	EXHAUST VALVE	300 90	277-62506-08	FLOAT BODY	640 210 - 16
277-34201-11	MUFFLER COVER CP	300 320	277-62515-08	PIN	640 210 - 15
277-35002-01	PIN(ROCKER) CP	300 200	277-62520-08	CHOKE LEVER	640 210 - 8
277-35101-03	PIN(CAM SHAFT)	300 25	277-62525-08	CHOKE VALVE	640 210 - 3
277-35201-13	GASKET(MUFFLER)	300 340	277-62530-18	THROTTLE SHAFT-A	640 210 - 11
277-35601-11	TIMING CHAIN CP	300 150	277-62535-08	THROTTLE VALVE	640 210 - 1
277-35902-H3	GASKET1(INSULATOR)	300 560	277-62605-J1	FUEL PIPE CP	600 70
277-35902-J3	GASKET1(INSULATOR)	300 560	277-62605-K1	FUEL PIPE CP	600 70
277-35903-H3	GASKET2(INSULATOR)	300 550	277-63601-13	OIL GAUGE	100 270
277-35903-J3	GASKET2(INSULATOR)	300 550	277-65001-03	FILLER PLUG	100 275
277-36201-00	ROCKER ARM(IN) AY	300 220	277-73101-H1	WIRE 1 CP	700 50
277-36202-00	ROCKER ARM(EX) AY	300 225	277-73102-H1	WIRE 2 CP	700 50
277-36401-03	RELEASE LEVER	300 35	277-76301-11	OIL SENSOR CP	770 700
277-36501-03	CLIP	300 37	277-79230-11	FLYWHEEL CP	700 10
277-36902-03	PIN(TENTIONER)	300 166	277-79431-01	IGNITION COIL CP	700 11
277-36911-03	TENTIONER	300 160	277-90301-H0	ACCESSORY TOOL KIT	900 10
277-36913-13	CHAIN GUIDE	300 170	277-95111-03	LABEL(MODEL)	600 23
277-37101-03	SPRING(TENTIONER)	300 163	277-99001-27	GASKET SET	100 960
277-37203-H1	SCREEN CP	300 385	279-33601-03	VALVE SPRING	300 60
277-37203-01	SCREEN CP	300 385	279-42502-43	GOVERNOR SPRING	400 80
277-38601-03	PIN(SPRING)	300 34	281-50300-08	STARTER KNOB	520 210 - 4
277-38702-03	RETURN SPRING	300 38	281-50325-08	RATCHET	520 210 - 5
277-41901-03	GOVERNOR SLEEVE	100 260	281-50330-08	FRICITION SPRING	520 210 - 6
277-42201-33	GOVERNOR SHAFT	400 20	281-50340-08	FRICITION PLATE	520 210 - 8
277-42301-13	GOVERNOR LEVER	400 10	281-50351-08	CENTER SCREW	520 210 - 49
277-42301-23	GOVERNOR LEVER	400 10	980-20082-80	FLANGE NUT	300 350
277-42510-03	GOVERNOR SPRING	400 80			
277-42510-13	GOVERNOR SPRING	400 80			
277-42701-01	GOVERNOR ROD CP	400 30			
277-42701-11	GOVERNOR ROD CP	400 30			
277-42801-13	ROD SPRING	400 40			
277-42801-23	ROD SPRING	400 40			
277-43303-03	SPEED CONTROL LEVER	400 310			
277-43501-03	STOP PLATE	400 340			
277-43502-03	STOP PLATE	400 340			
277-43801-01	CHOKE LEVER CP	600 224			
277-44501-03	WASHER	400 350			
277-45004-H1	GOVERNOR GEAR CP	100 250			
277-46002-02	SPEED CONT. BRKT UN	400 435			
277-50110-08	STARTER ROPE	520 210 - 3			
277-50121-08	REEL	520 210 - 2			
277-50145-08	STARTER PULLEY	520 210 - 11			
277-50301-00	RECOIL STARTER AY	520 210			
277-51201-11	BLOWER HOUSING CP	500 10			
277-52702-03	BAFFLE 2(HEAD)	500 61			
277-52711-11	BAFFLE 1(CASE) CP	500 60			

PART NUMBER INDEX LIST

PART NUMBER	PART NAME	FIG. REF.	PART NUMBER	PART NAME	FIG. REF.
480-05010-02	O-RING	4200 150			
480-05010-04	CASING COVER	4200 210			
480-05010-05	CASING BOLT AY	4200 280			
480-05010-21	PLUG, DRAIN	4200 170			
480-05010-21	PLUG, DRAIN	4200 462			
480-05010-22	O-RING	4200 172			
480-05010-22	O-RING	4200 460			
480-05010-23	HEX BOLT	4200 680			
480-05010-24	FLANGE NUT	4200 690			
480-05210-08	MECHANICAL SEAL	4200 140			
480-05710-21	HOOK	4200 465			
480-05710-92	HEX SOCKET SCREW	4200 470			
480-05710-99	SOCKET BOLT	4200 180			
480-08010-12	PACKING, INNER CASING	4200 115			
480-08010-13	VALVE CASE	4200 310			
480-08010-14	BOLT & WASHER AY	4200 314			
480-08010-15	CHECK VALVE	4200 320			
480-08010-16	COUPLING, HANDLE	4200 350			
480-08010-17	PACKING, COUPLING	4200 330			
480-08010-19	BEND	4200 410			
480-08010-20	PACKING BEND	4200 420			
480-08010-28	HOSE BAND	4200 520			
480-08010-37	SHIM	4200 145			
480-08010-38	SHIM	4200 146			
480-08030-01	CASING	4200 110			
480-08710-09	IMPELLER	4200 130			
480-08710-11	INNER CASING	4200 120			
480-08750-29	STRAINER (ABS)	4200 510			
481-00001-08	HOSE NIPPLE	4200 340			
481-00001-51	FRAME	4200 610			
481-00001-70	HEX BOLT	4200 414			
481-00001-71	SPRING WASHER	4200 283			
484-00010-03	LABEL (PUMP NAME)	4200 910			
484-00018-03	LABEL (PUMP NAME)	4200 910			

# **FUJI HEAVY INDUSTRIES LTD.**

## **INDUSTRIAL PRODUCTS COMPANY**

4-410 Asahi, Kitamoto-shi,  
Saitama, 364-8511, Japan

Phone           +81(48)593-7896

Fax               +81(48)593-7965

Web site        <http://www.fhi.co.jp/robin/>