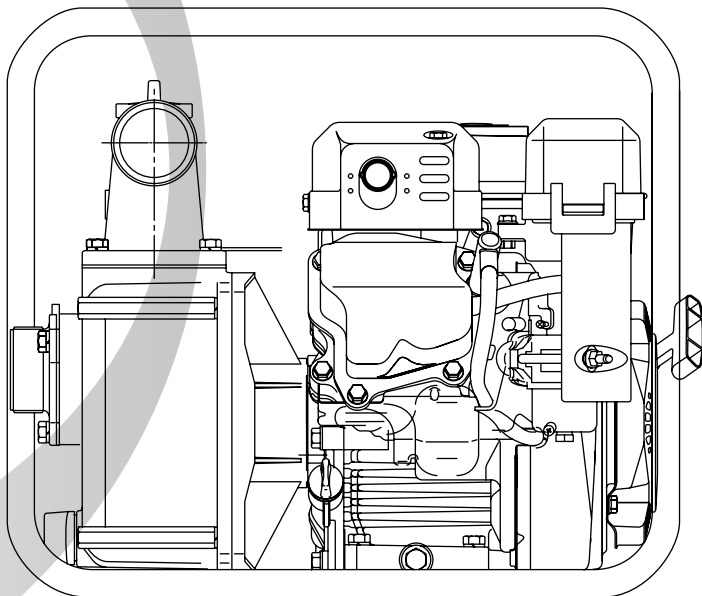
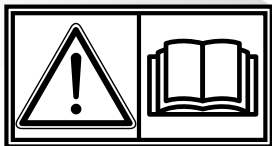
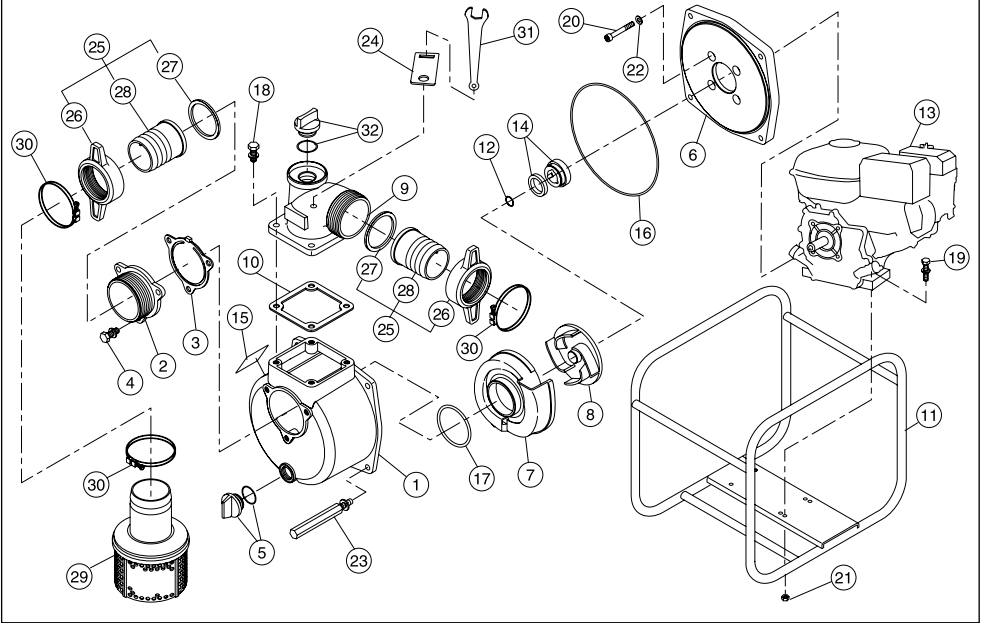


## CATALOGUE PIÈCES DE RECHANGE GROUPE MOTOPOMPE

MODÈLE  
**TH 63 EX**  
(STR-80EX)



# PARTS LIST STR-80EX



## STR-80EX

No.	PARTS CODE	PARTS NAME	QTY
1	0120196	Pump Casing(Logo)	1
	0112795	Pump Casing	
2	0112797	Suction Flange	1
3	0112799	Check Valve	1
4	743119061	Bolt M10X25	3
5	0118078	20A Plug Set	1
6	0120931	Flange Bracket	1
7	0115541	Volute Casing	1
8	0115539	Impeller	1
9	0110570	Delivery Flange(Logo)	1
	0113243	Delivery Flange	
10	0110584	Flange Packing	1
11	—————	Base Set	1
12	0110491	Adjusting Washer	3
13	—————	Engine (With Oil Alert)	1
14	0115159	Mechanical Seal	1
15	—————	Name Plate	1
16	0115015	O-Ring 1517-46.5	1
17	0113989	O-Ring P74	1
18	743119063	Bolt M10X30	4

No.	PARTS CODE	PARTS NAME	QTY
19	743119053	Bolt M8X40	4
20	734532075	Socket Bolt M8X55	4
21	827419008	Nut M8	4
22	854255008	Seal Washer $\phi$ 8	4
23	0115542	Long Bolt M10X160	4
24	0115588	Spanner Holder 17mm	1
25	0117028	Coupling Set	2
26	0114375	Coupling	2
27	0114378	Coupling Packing	2
28	0110301	Hose Nipple	2
29	0117504	Strainer Set	1
30	940019090	Hose Band $\phi$ 90	3
31	0115589	Spanner 17mm	1
32	0118079	25A Plug Set	1

\*Specifications may differ slightly depending on model.



PR\_03GMP\_TH\_63EX\_STR-80EX

**WORMS**  
ENTREPRISES

**Siège Social**

Parc Gustave Eiffel - 1 Bd. de Strasbourg - Bussy Saint Georges - 77607 Marne la Vallée - Cedex 3 - FRANCE

**Standard**

TEL. (33) 01 64 76 29 50

FAX (33) 01 64 76 29 99

**Service Commercial**

TEL. (33) 01 64 76 29 60

FAX (33) 01 64 76 29 99

**SAV**

TEL. (33) 01 64 76 29 80

FAX (33) 01 64 76 29 88