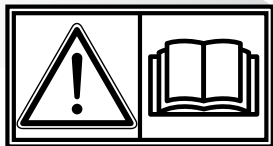


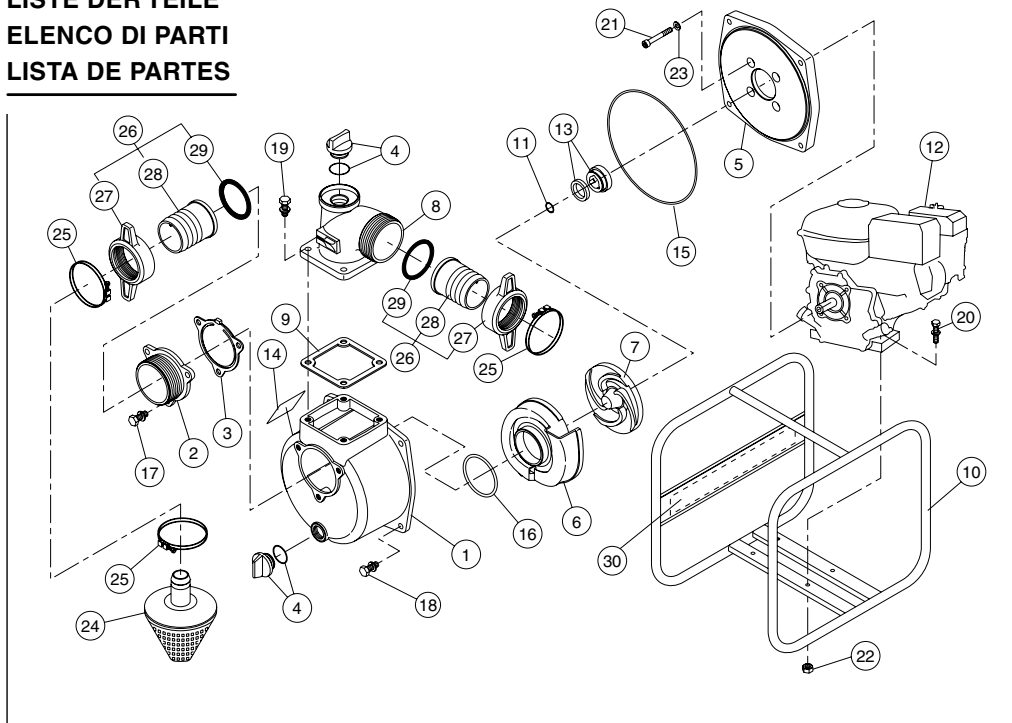
CATALOGUE PIÈCES DE RECHANGE GROUPE MOTOPOMPE



MODÈLE
TP 36 EX
(SE-50EX)

PARTS LIST
LISTE DES PIÈCES
LISTE DER TEILE
ELENCO DI PARTI
LISTA DE PARTES

SE-50EX



SE-50EX

No.	PARTS CODE	PARTS NAME	QTY
1	0120195	Pump casing	1
2	0112662	Suction flange	1
3	0112665	Check valve	1
4	0118078	20A Plug set	2
5	0112579	Flange bracket	1
6	0114640	Volute casing	1
7	0113532	Impeller	1
8	0110556	Delivery flange	1
9	0110541	Delivery flange packing	1
10	0117997	Base set	1
11	0110466	Impeller adjusting washer	3
12	—	Engine	1
13	0110688	Mechanical seal (ϕ 18)	1
14	—	Name plate	1
15	0115014	O-ring 1517-42.5	1

No.	PARTS CODE	PARTS NAME	QTY
16	0112792	O-ring P54	1
17	743119045	Hexagon bolt (M8x20)	3
18	743119046	Hexagon bolt (M8x22)	4
19	743119047	Hexagon bolt (M8x25)	4
20	743119051	Hexagon bolt (M8x35)	4
21	734532076	Hexagon socket bolt (M8x60)	4
22	827419008	Hexagon nut (M8)	4
23	854255008	Seal washer (ϕ 8)	4
24	0118159	Strainer set	1
25	940019060	Hose band (ϕ 60)	3
26	0117026	Coupling pet	2
27	0113390	Coupling	2
28	0110356	Nipple	2
29	0113391	Coupling packing	2
30	0120428	Side panel	1

PR_03GMP_TP_36EX_SE-50EX

WORMS
ENTREPRISES

Siège Social

Parc Gustave Eiffel - 1 Bd. de Strasbourg - Bussy Saint Georges - 77607 Marne la Vallée - Cedex 3 - FRANCE

Standard

TEL. (33) 01 64 76 29 50

FAX (33) 01 64 76 29 99

Service Commercial

TEL. (33) 01 64 76 29 60

FAX (33) 01 64 76 29 99

SAV

TEL. (33) 01 64 76 29 80

FAX (33) 01 64 76 29 88