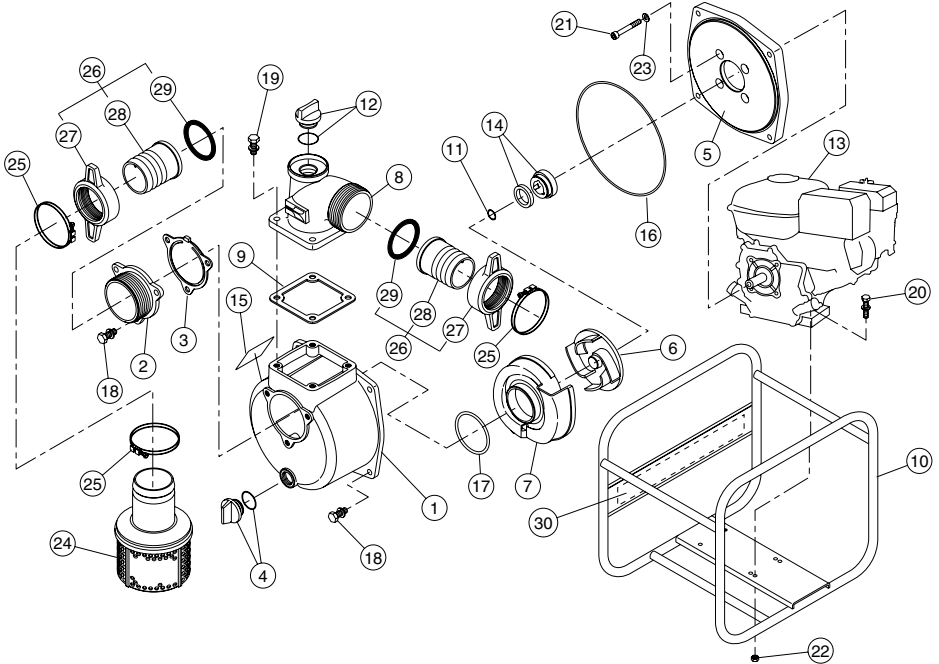


CATALOGUE PIÈCES DE RECHANGE GROUPE MOTOPOMPE



MODÈLE
TP 65 EX
(SE-80EX)

SE-80EX



SE-80EX

No.	PARTS CODE	PARTS NAME	QTY
1	0120196	Pump casing	1
2	0112797	Suction flange	1
3	0112799	Check valve	1
4	0118078	20A Plug set	1
5	0112796	Flange bracket	1
6	0115057	Impeller	1
7	0114379	Volute casing	1
8	0110570	Delivery flange	1
9	0110584	Delivery flange packing	1
10	0117998	Base set	1
11	0110491	Impeller adjusting washer	3
12	0118079	25A Plug set	1
13	————	Engine	1
14	0110664	Mechanical seal (φ 18)	1
15	————	Name plate	1

No.	PARTS CODE	PARTS NAME	QTY
16	0115015	O-ring (1517-46.5)	1
17	0113989	O-ring (P74)	1
18	743119061	Hexagon bolt (M10×25)	7
19	743119063	Hexagon bolt (M10×30)	4
20	743119053	Hexagon bolt (M8×40)	4
21	734532076	Hexagon socket bolt (M8×60)	4
22	827419008	Hexagon nut (M8)	4
23	854255008	Seal washer (φ 8)	4
24	0118195	Strainer set	1
25	940019090	Hose band (φ 90)	3
26	0117028	Coupling set	2
27	0114375	Coupling	2
28	0110301	Nipple	2
29	0114378	Coupling packing	2
30	0120428	Side panel	1

PR_03GMP_TP_65EX_SE-80EX



WORMS
ENTREPRISES

Siège Social

Parc Gustave Eiffel - 1 Bd. de Strasbourg - Bussy Saint Georges - 77607 Marne la Vallée - Cedex 3 - FRANCE

Standard

TEL. (33) 01 64 76 29 50

FAX (33) 01 64 76 29 99

Service Commercial

TEL. (33) 01 64 76 29 60

FAX (33) 01 64 76 29 99

SAV

TEL. (33) 01 64 76 29 80

FAX (33) 01 64 76 29 88