

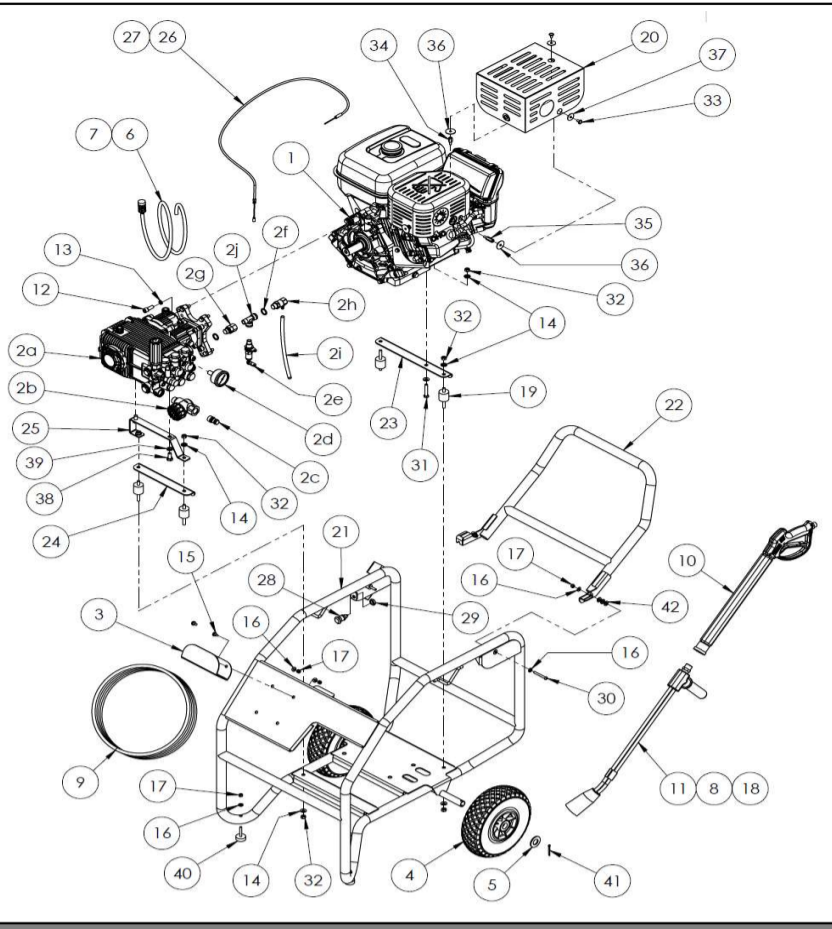
HPSTAR 200-21R

RW-18.20-H-N-DX

N°	Référence NAV	Désignation NAV	Quantité
1	EX400DK5021	EX400DUAL F/H CAD SH DEF	1
2	HP200-21R-KITPOMPE	KIT POMPE HPSTAR 200-21 R	1
3	HPSTAR100-200-300-01	PORTE FLEXIBLE	1
4	ZRED260G	ROUE DIAM 260 GONFLABLE	2
5	ZPLATEM20M I	RONDELLE PLATE M20 INOX	2
6	ZTUYAU PVC2	TUYAU PVC DN6	1
7	ZFILTR-DTER-D6-8	FILTRE DETERGENT DIA6-8	1
8	ZBUSE-HP-0625	BUSE HP NPT M 1/4 CERAMIC 0625	1
9	ZFLEX-1T-10M-250	FLEXIBLE 10M 1 T 250B M22X1,5F	1
10	ZPIST-EXT-22-MF-22	PISTOLET + RALLONGE 350BAR	1
11	ZLANCE-D-F22-250	LANCE DOUBLE 250BAR	1
12	ZVISCHCS/16X25 I	VIS CHC 5/16"25 UNC INOX	4
13	ZGROWERM8 I	RONDELLE GROWER M8 INOX	4
14	ZPLATEM8M I	RONDELLE MOYENNE M8 INOX	10
15	ZVISBHCIM6X16	VIS BHC M6*16 EMBASE INOX	2
16	ZCONTACTM6I	RONDELLE MOYENNE M6 INOX	8
17	ZECROUBAGM6I	ECROU BAG NYLON M6 INOX	6
18	ZBUSE-BP-5040	BUSE BP NPT M1/4 5040	1
19	MER-909328	PLOT A 3030 M8 15 X 35	4
20	ZGRILLEECHAP-04	GRILLE DE POT EX400 DUL	1
21	HPSTAR300-010-V2	CHASSIS CHASSIS 300 V2 ROUE GONFLABLE	1
22	HPSTAR300-020	BRANCARD	1
23	HPSTAR200-21R-040	CORNIERE MOTEUR	1
24	HPSTAR200-21R-050	CORNIERE POMPE	1
25	HPSTAR200-21R-060	PATTE SUPPORT POMPE	1
26	HP2205-210-V1	ARRET GAINE	1
27	ZCABL-ACC-1	CABLE ACCELERATEUR NHP 1	1
28	ZPION-INDEXAGE	PION INDEXAGE	1
29	ZECROUBASM10-PF	ECROU BAS M10 X1,0 PAS FIN	1
30	ZVISBHCIM6X50	VIS BHC M6 X 50 BOMBEE INOX	2
31	ZVISTHM8X45	VIS TH M8*45 ZBJ	1
32	ZECROUM8 I	ECROU HU M8 INOX	9
33	ZVISTTEM6X12	VIS TORX M6*12 ZBJ A EMBASE	3
34	ZENTRET-MF-M6-L15	ENTRETOISE MF M6 L15	2
35	ZENTRET-MF-M6-L20	ENTRETOISE MF M6 L20	1
36	ZPLATEM6L	RONDELLE TRES LARGE M6 DIA30	3
37	ZPLATEM6L	RONDELLE LARGE M6 DIA25	3
38	ZVISTHM10X20	VIS TH M10*20 ZBJ	2
39	ZGROWERM10 I	RONDELLE GROWIC M10 INOX	2
40	PLOT-CAOU-M6-D30	PLOT CAOUTCHOUC M6 D30 L38 H11	2
41	ZGOUP-FENDUES	GOUILLE FENDUE 4*32 ZIN	2
42	ZPLATEM6 CUIVRE	RONDELLE M6 CUIVRE	3

N°	REF. ANNOVI	DESCRIPTION	QUANTITE
2	HP200-21R-KITPOMPE	KIT POMPE HPSTAR 200-21R	1
2-a	RW-18.20-H-N-DX	POMPE RADIALE RED 200-21	1
2-b	ZFILTR-1/2-FM-1/2	FILTRE EAU NHP MF G1/2	1
2-c	ZRACC-JARD-M1/2	RACCORD A BILLE MALE G1/2	1
2-d	ZMANO-D50-AR-250	MANOMETRE D50 G1/4 AR 0-250	1
2-e	Z9.0130.00	CONTROLEUR ACCELERATEUR NHP	1
2-f	ZBAG-BS17	BAGUE BS17 (3/8)	2
2-g	ZRACC-TOURN-M-F-G3/8	RACCORD TOURNANT M-F G3/8	1
2-h	51033	EASY STARTER	1
2-i	ZTUYAU PVC2	TUYAU PVC DN6	1
2-j	ZRACC-T-01	RACCORD ENT T FG3/8-FG1/4-MG3/8	1

N°	REF. ANNOVI	DESCRIPTION	QUANTITE
1	1560580	TAPPO MANOPOLA	1
2	540290	VITE TCEI M8x25 UNI 5931 Z/B	1
3	1660210	DADO M8 UNI 5589 65-SS Z/B	1
4	1560400	MANOPOLA REGOLAZIONE PRESSIONE	1
5	1080070	SPINA 2,5x10 UNI 1707 INOX	1
6	1560420	VITE DI REGOLAZIONE	1
7	1560410	GUIDA MOLLA	1
8	1560440	PIATTELLO	1
9	1560350	MOLLA De 14,9x47x3,9 IN CATAPHORESI	1
10	1080610	PIATTELLO MOLLA	1
11	1080660	SPINA 3x12 UNI 1707 INOX	1
12	1080540	PISTONE SUPERIORE	1
13	391000	OR 9,13x2,62(RIF. 109)	1
14	1080640	ANELLO ANTIESTRUSIONE 10x14x1 COD.MV 0117740310	1
15	1560150	OR 5,94x3,53	1
16	1560100	OTTURATORE	1
17	1560140	MOLLA De 9,5x17,5x0,7	1
18	180101	OR 17,5x2	1
19	1540272	VITE 3/8" GAS	1
20	1540190	RACCORDO 3/8" NPT	1
21	1560010	CORPO VALVOLA GYMATIC 3/8	1
22	1080550	ANELLO ANTIESTRUSIONE 5x8x1	2
23	480480	OR 4,48x1,78(rif.2018)	2
24	1560280	RONDELLE GM 1450 AN 3/8" De.27	1
25	1560320	PISTONE INFERIORE	1
26	880270	OR 17,17x1,78 75 SH(RIF.2068)	1
27	1560051	NIPLES BY-PASS(AISI 303)	1
28	390080	OR 11,91x2,62(RIF.115)	2
29	1560510	CONTRODADO M24x1	1
30	1560500	RACCORDO MANDATA 3/8" GAS D.1.8 MARC.1	1
31	1560530	RACCORDO MANDATA 3/8" GAS D.2.1 MARC.2	1
32	1250280	SFERA INOX AISI 420 7/32"	1
33	480480	OR 4,48x1,78(rif.2018)	1
34	1560490	PORTAGOMMA	1
35	1560110	NIPLES MANDATA 1/2" GAS(M)3/8" GAS(M)	1
36	1560111	NIPLES MANDATA INOX 1/2" GAS-3/8" GAS	1
37	1560650	PORTAGOMMA IDR D.8,4	1
38	800560	OR 8,73x1,78(RIF.108)	1
39	480560	OR 6,75x1,78(rif.106)	1
40	1560670	MANOPOLA REGOLAZIONE DETERGENTE(OTTONE)	1
41	1540020	CORPO COLLETTORE BY-PASS	1
42	1540120	RONDELLE DI TENUITA 1/2" G De.29 ART.GM1500 1/2"	1
43	1540090	RACCORDO 1/2" G(FORES)	1
44	1540200	RACCORDO 1/2" NPT	1



RW **N** 1450rpm **ø 24 mm** **AR**

43	1560290	RONDELLA GM 1460 AN 1/2" De.32	Rondelle 1460 GM AN 1/2" De.32	1
44	480440	OR 17.13x2.62(RIF.3068)	Joint torique 17.13x2.62 (RIF.3068)	1
50	1540050	RACCORDO ASPIRAZIONE 1/2" G(M)1/2" G(M)	Raccord d'entrée 1/2" G (M) 1/2" G (M)	1
57	1122260	NIPLES M22x1,5(M)3/8" GAS(F)	Embout M22x1,5 (M) 3/8" BSP (F)	1

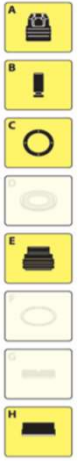
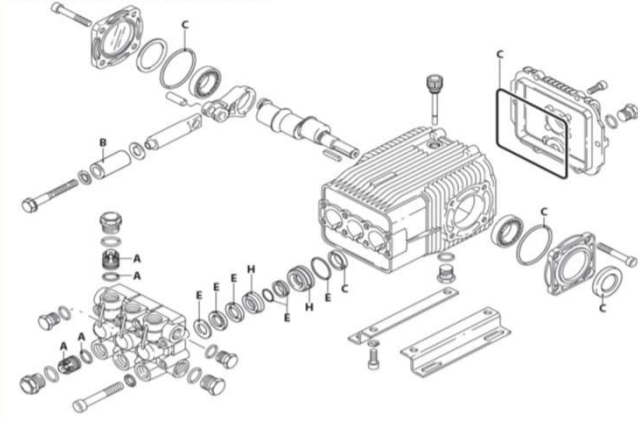
30

57

PART KIT

KIT A				
7	42169	valves		6
6				6
KIT B				
46	2872	pistons Ø18		3
KIT C				
17				3
27	42170	oil seals		1
30				1
33				1
40				1
KIT E				
10				3
11	42171	water seals Ø18		3
12				3
14				3
16				3
KIT H				
13	42172	pistons guide		3
15				3

KIT RICAMBI / PART KITS



UN002799-AV