



PARTS CATALOG

Model

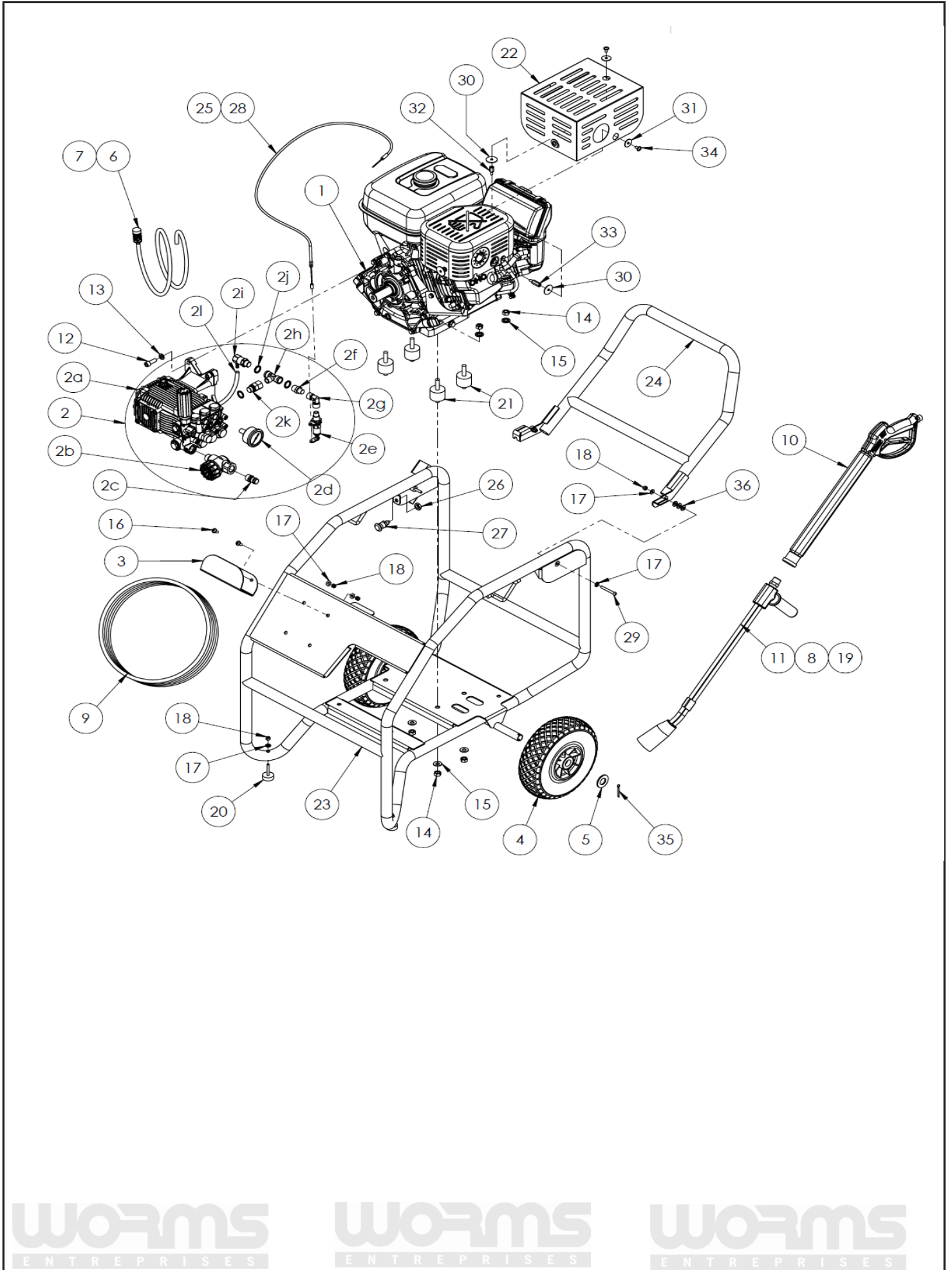
HPSTAR 300-15

11-06-2024

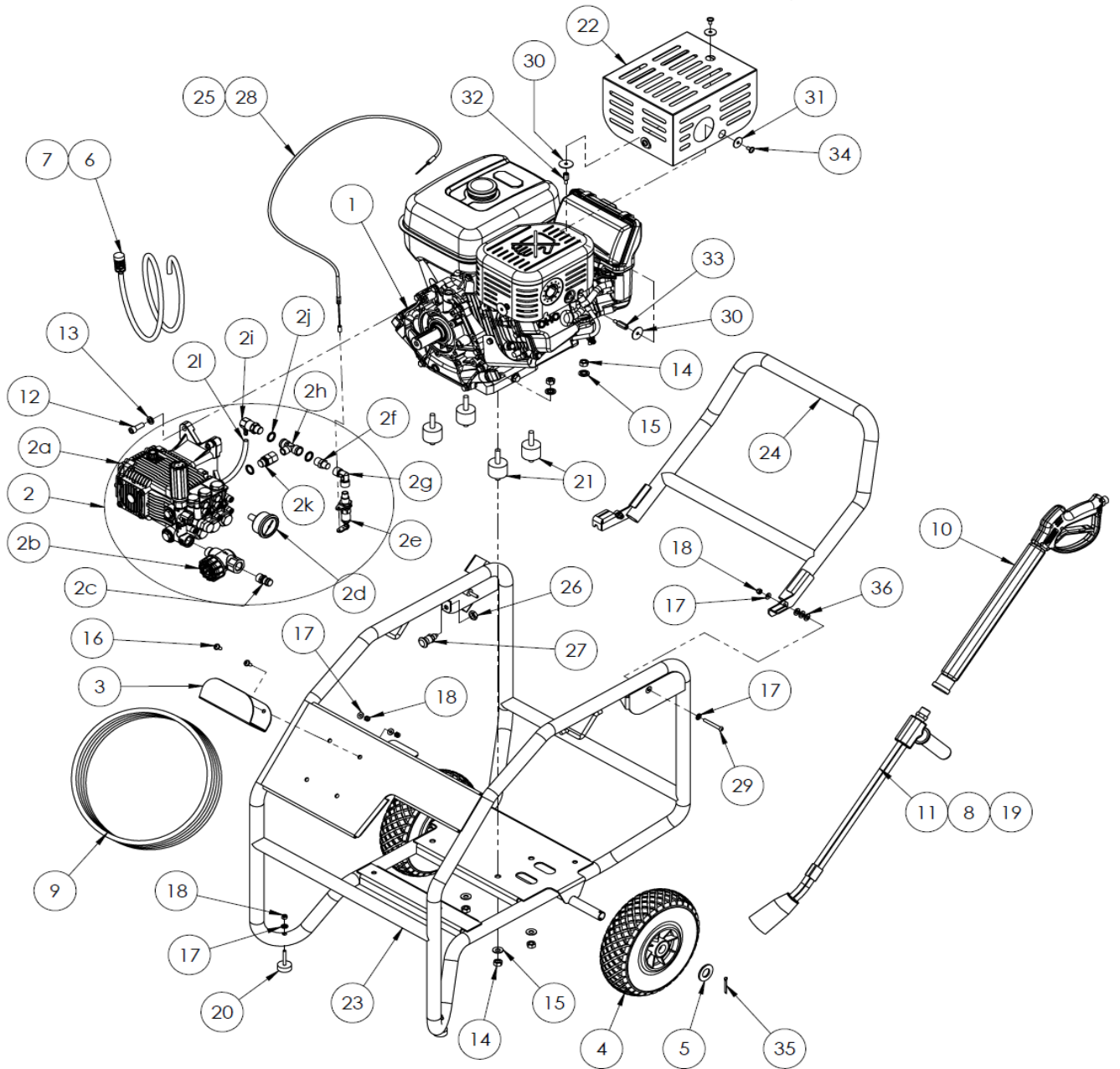


GROUP INDEX

	Page
HPSTAR ASSEMBLY	4
RKV-4G40-H-N-DX	6
PART KIT.....	16



REF.	PART NUMBER	PART NAME	QTY,
1	EX400DK5021	EX40DUL.DUAL F/H,CAD.SH.DEF	1
2	HP300-15-KITPOMPE	KIT POMPE HPSTAR 300-15	1
3	HPSTAR100-200-300-01	PORTE FLEXIBLE	1
4	ZRED260g	ROUE DIAM 260 GONFLABLE	2
5	ZPLATEM20M I	RONDELLE PLATE M20 INOX	2
6	ZTUYAUPVC2	TUYAU PVC DN6	1
7	ZFILT-DETER-D6-8	FILTRE DETERGENT DIA6-8	1
8	ZBUSE-HP-04025	BUSE HP NPT M1/4 CERAMIC 04025	1
9	ZFLEX-2T-10M-400	FLEXIBLE 10M 2 T 400B M22X1,5F	1
10	ZPIST-EXT-22-MF-22	PISTOLET + RALLONGE 350BAR	1
11	ZLANCE-LONGUE-605	1/2 Lance Double LG 605mm	1
12	ZVISCHC3/8X32 I	VIS CHC 3/8 *32 UNC INOX	4
13	ZGROWERM10 I	RONDELLE GROWER M10 INOX	4
14	ZECROUM10 I	ECROU HU M10 INOX	8
15	ZPLATEM10M I	RONDELLE MOYENNE M10 INOX	8
16	ZVISBHCEIM6X16	VIS BHC M6*16 EMBASE INOX	2
17	ZCONTACTM6I	RONDELLE MOYENNE M6 INOX	8
18	ZECROUBAGM6I	ECROU BAG NYLON M6 INOX	6
19	ZBUSE-BP-5040	BUSE BP NPT M1/4 5040	1
20	ZPLOT-CAOU-M6-D30	PLOT CAOUTCHOUC M6 D30 L38 H11	2
21	MER-900056	PLOT A 4030 M10 15 X 35	4
22	ZGRILLECHAP-04	GRILLE DE POT EX40 DUL	1
23	HPSTAR300-010-V2	CHASSIS CHASSIS 300 V2 ROUE GONFLABLE	1
24	HPSTAR300-020	BRANCARD	1
25	HP220S-210-V1	ARRET GAINE	1
26	ZECROUBASM10-PF	ECROU BAS M10 X1,0 PAS FIN	1
27	ZPION-INDEXAGE	PION INDEXAGE	1
28	ZCABL-ACC-1	CABLE ACCELERATEUR NHP 1	1
29	ZVISBHCIM6X50	VIS CHC M6 X 50 BOMBEE INOX	2
30	ZPLATEM6TL	RONDELLE TRES LARGE M6 DIA30	3
31	ZPLATEM6L	RONDELLE LARGE M6 DIA25	3
32	ZENTRET-MF-M6-L15	ENTRETOISE MF M6 L15	2
33	ZENTRET-MF-M6-L20	ENTRETOISE MF M6 L20	1
34	ZVISTTEM6X12	VIS TORX M6*12 ZBJ A EMBASE	3
35	ZGOUP.FENDUES	GOUPILLE FENDUE 4*32 ZIN	2
36	ZPLATEM6 CUIVRE	RONDELLE M6 CUIVRE	3

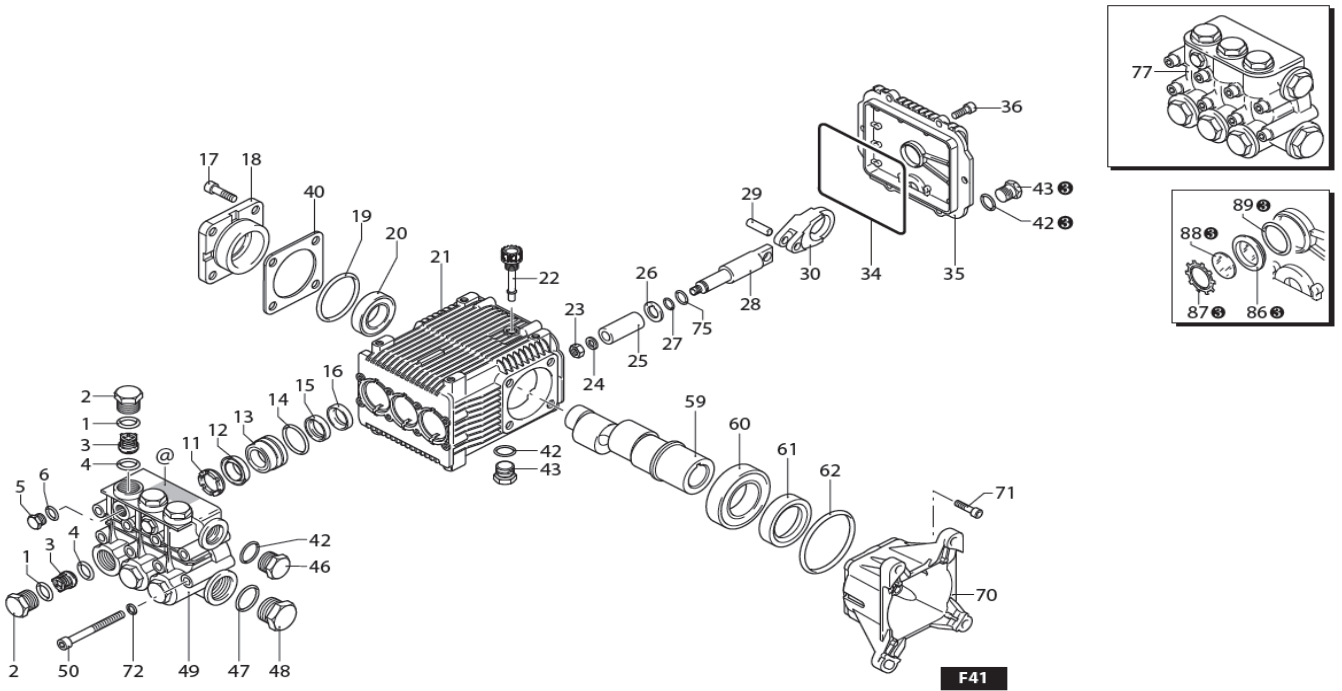


RKV

VERSION **D**

3400rpm

Ø 1"



UN003316-MR

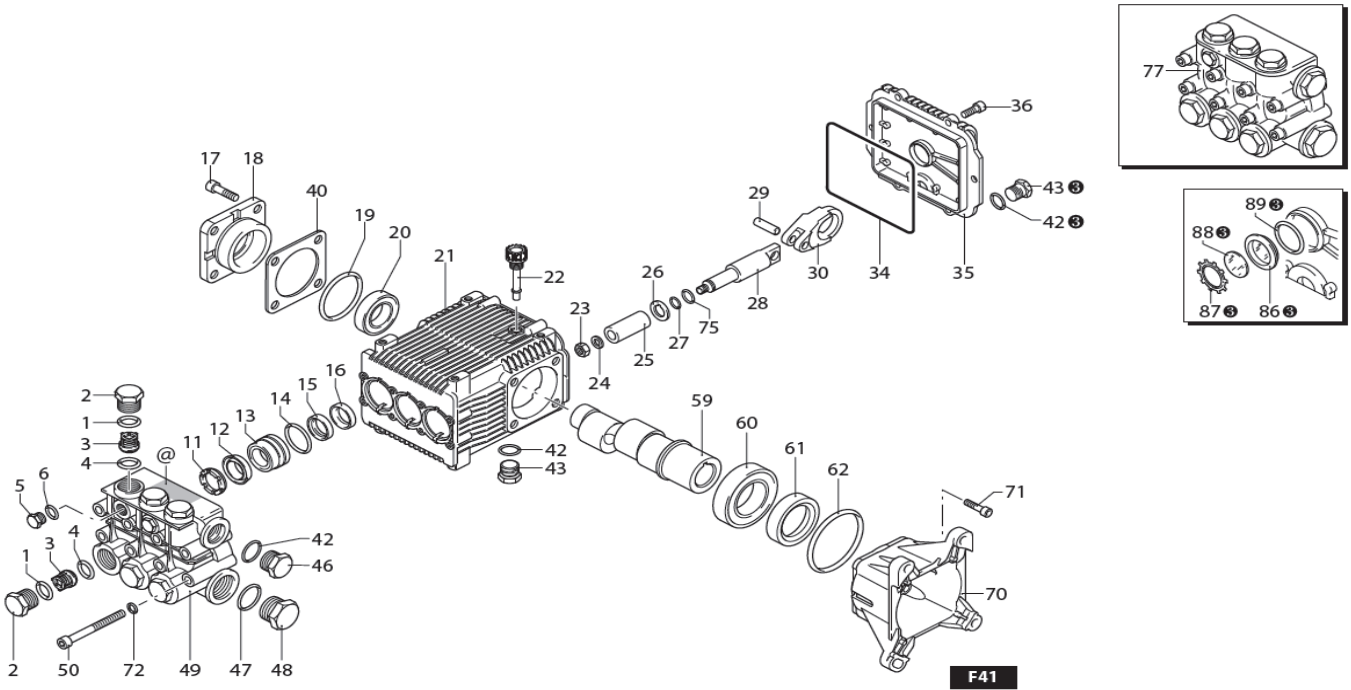
RKV

VERSION

D

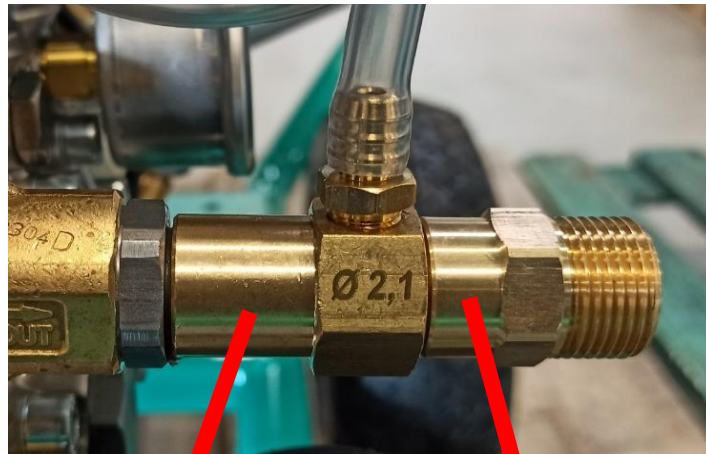
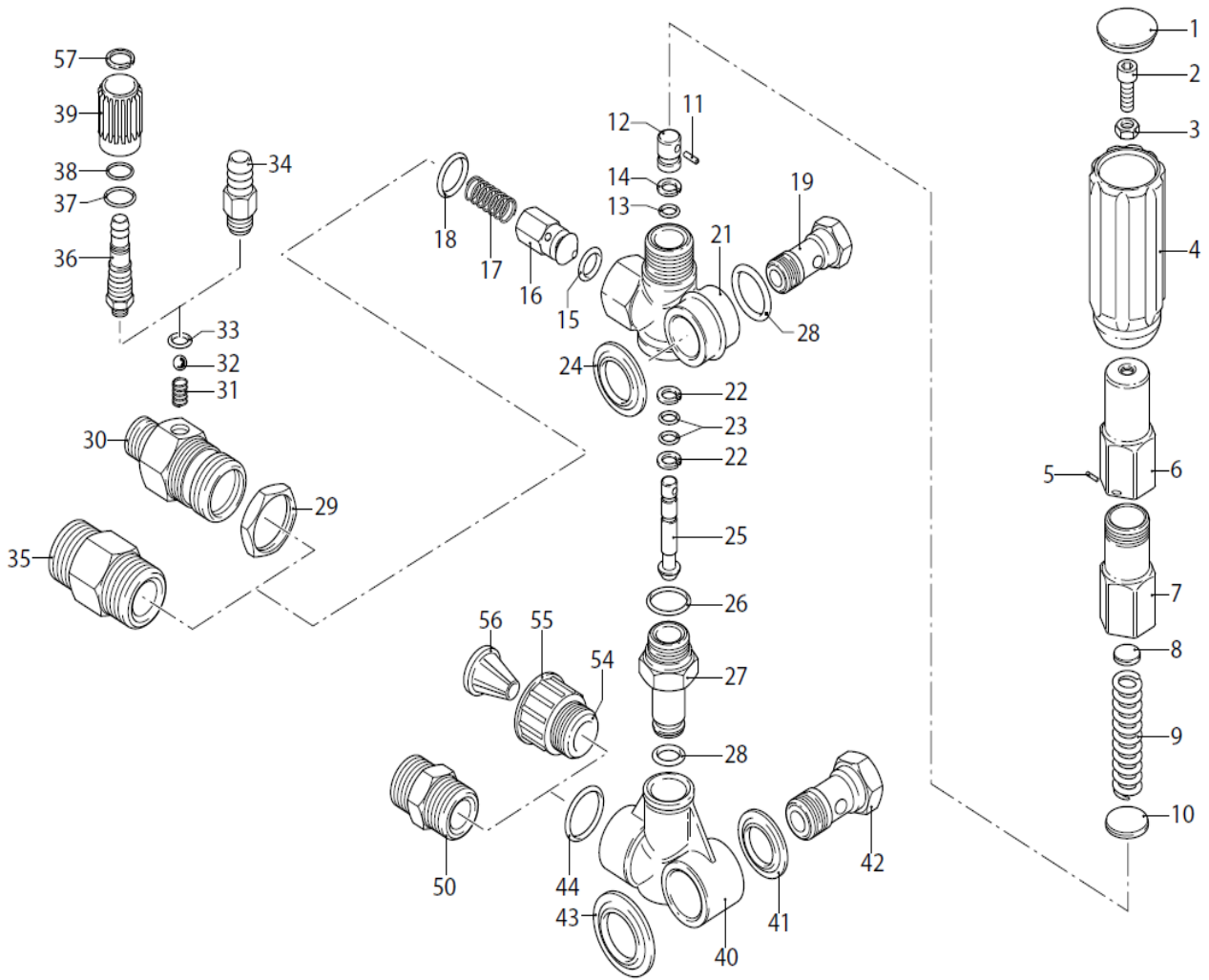
3400rpm

Ø 1"



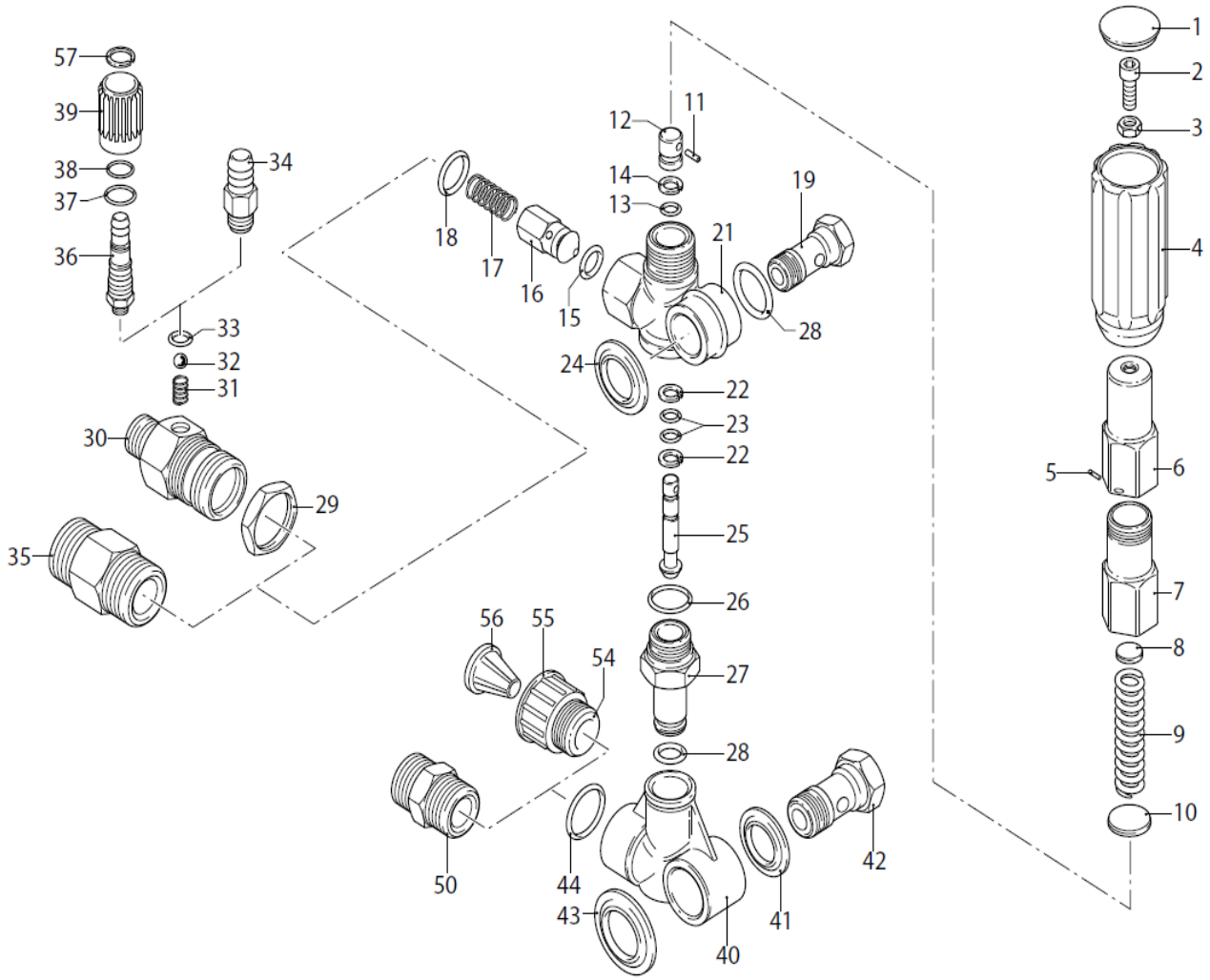
UN003316-MR





58

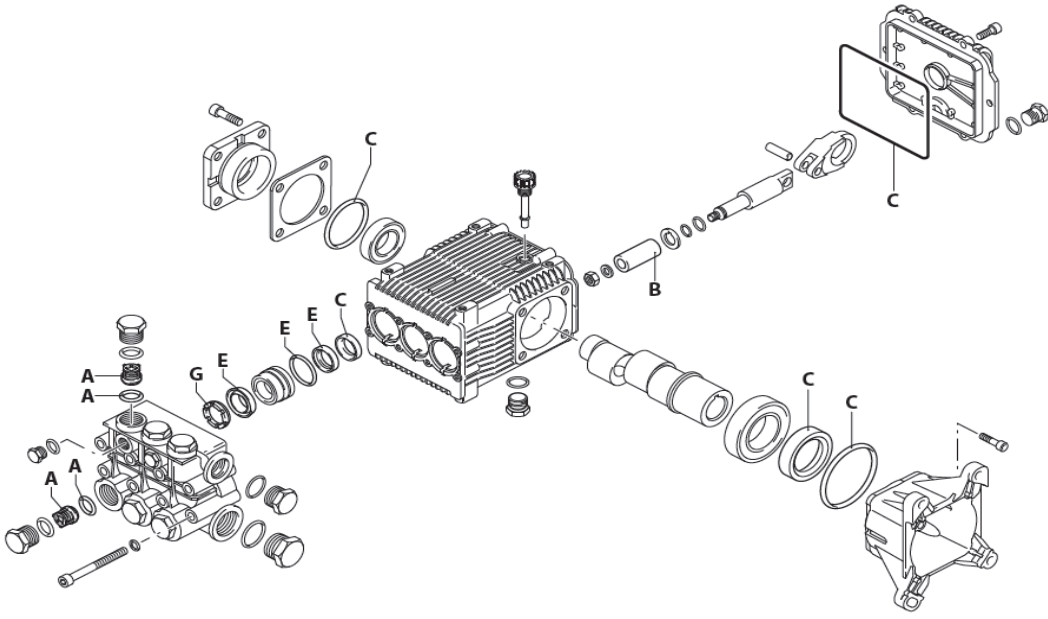
57



58

57

KIT RICAMBI / PART KITS



- A**
- B**
- C**
- D**
- E**
- F**
- G**
- H**

UN003317-MR

www.wormsentreprises.com



Siège social / Head Office

ZAC de Lamirault

39 rue de Lamirault, 77090 Collégien, FRANCE

TEL. +33 (0) 1 64 76 29 50

FAX +33 (0) 1 64 76 29 99

Services commercial et Pièces de rechange

Sales and Spare Parts Departments

TEL. +33 (0) 1 64 76 29 60

FAX +33 (0) 1 64 76 29 99