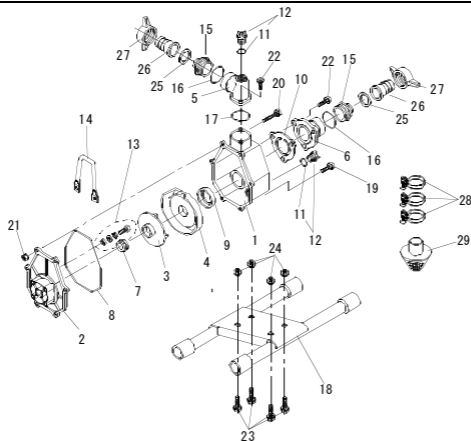


**GMP 12T
(SCR-30R)**


REF No.	Parts No.	Parts name	Q'ty	Remarks
	-	ROBIN EY08	1	
1	200 200 100	CASING	1	SCQ-40
2	200 200 430	CASING COVER	1	
3	200 210 150	IMPELLER	1	
4	200 210 160	INNER CASING	1	
5	200 200 650	BEND	1	IN-PF1.25
6	200 200 660	VALVE CASE	1	IN-PF1.25
7	201 100 021	MECHANICAL SEAL	1	
8	200 900 340	PACKING,CASING	1	
9	200 900 230	PACKING,INNER CASING	1	
10	200 900 140	CHECK VALVE	1	
11	200 800 020	O-RING	(2)	P-24
12	200 500 040	PLUG ASSY	2	
13	203 000 100	CASING BOLT ASSY	4	M8 x 50
14	200 300 050	HANGER	1	
15	200 200 730	NIPPLE	2	
16	200 800 070	O-RING	2	G-35
17	200 800 080	O-RING	1	G-45
18	200 100 662	PIPE BASE(YELLOW)	1	
19	203 000 040	HEX.BOLT	4	M8 x 25 P=2
20	203 000 070	HEX.BOLT	2	M8 x 40 P=2
21	203 200 030	SPRING NUT	2	M8
22	203 000 190	HEX.BOLT	5	M6 x 20 P=2
23	203 000 030	HEX.BOLT	4	M8 x 20 P=2
24	203 200 010	FLANGE NUT	4	M8
25	200 900 030	PACKING,COUPLING	2	NBR
26	200 500 030	HOSE COUPLING	2	1"
27	200 500 020	COUPLING HANDLE	2	PF1
28	201 000 020	HOSE BAND	3	1"
29	201 200 010	STRAINER	1	1"J