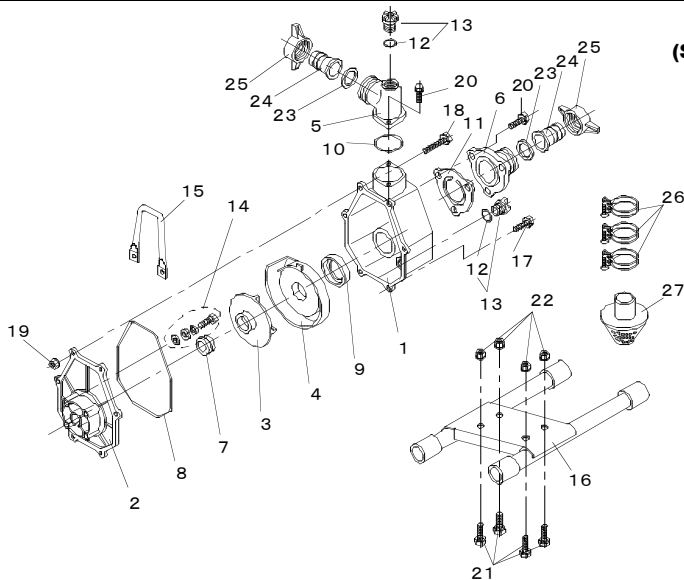


**GMP 20T
(SCR-40R2)**



REF No.	Parts No.	Parts name	Q'ty	Remarks
	-	ROBIN EY08	1	
1	200 200 100	CASING	1	SCQ-40
2	200 200 430	CASING COVER	1	
3	200 210 550	IMPELLER	1	
4	200 210 610	INNER CASING	1	
5	200 200 630	BEND	1	EX-PF1.5
6	200 200 640	VALVE CASE	1	EX-PF1.5
7	201 100 021	MECHANICAL SEAL	1	
8	200 900 340	PACKING,CASING	1	
9	200 900 230	PACKING,INNER CASING	1	
10	200 800 080	O-RING	1	G-45
11	200 900 140	CHECK VALVE	1	
12	200 800 020	O-RING	(2)	P-24
13	200 500 040	PLUG ASSY	2	
14	203 000 100	CASING BOLT ASSY	4	M8 x 50
15	200 300 050	HANGER	1	
16	200 100 662	PIPE BASE(YELLOW)	1	
17	203 000 040	HEX.BOLT	4	M8 x 25 P=2
18	203 000 070	HEX.BOLT	2	M8 x 40 P=2
19	203 200 030	SPRING NUT	2	M8
20	203 000 190	HEX.BOLT	5	M6 x 20 P=2
21	203 000 030	HEX.BOLT	4	M8 x 20 P=2
22	203 200 010	FLANGE NUT	4	M8
23	200 900 040	PACKING,COUPLING	2	NBR
24	200 500 140	HOSE COUPLING	2	
25	200 500 150	COUPLING HANDLE	2	PF1.5
26	201 000 030	HOSE BAND	3	1.5"
27	201 200 020	STRAINER	1	1.5"J