

Robin Pump

Model **PTV101**

PARTS CATALOG

Spec. No. PTV10100000

Spec. No. EH025PX0201

Table of abbreviations/略語一覧

ABBREVIATIONS/略語	DESCRIPTION	説明
A	AMPERE	アンペア
AC	AIR CLEANER	エアクリーナ
AY	ASSEMBLY	アッセンブリ
B	BREADTH	幅
BB	BALL BEARING	ボールベアリング
CD	CENTER DISTANCE	中心間距離
CP	COMPLETE	コンプリート
D	DIAMETER	内径、外径、中心径
EX	EXPORT	輸出
EX	EXHAUST	排気
FIG	FIGURE	フィギュア(図解)
FR	FRONT	前側
H	HEIGHT	高さ
HZ	HERTZ	ヘルツ
IN	INCH	インチ
IN	INTAKE	吸入
L	LITER	リットル
L	LENGTH	長さ
LH	LEFT HAND	左側
MG	MAGNETIC	マグネチック
N	NUMBER	数、巻数
N R Y	NEW ROBIN YELLOW	新ロビン色
OS	OIL SENSOR	オイルセンサ
O.S.	OVER SIZE	オーバーサイズ
P	PITCH	ピッチ
PD	PITCH DIAMETER	中心径
PTO	POWER TAKE OFF	動力取出し
REF	REFERENCE	レファレンス(照合)
RH	RIGHT HAND	右側
RR	REAR	後側
ST	STARTER	スタータ
STD	STANDARD	標準
SW	SPRING WASHER	スプリングワッシャ
SW	SWITCH	スイッチ
T	THICKNESS	厚さ
TH	THROTTLE	スロットル
UN	UNIT	ユニット
U.S.	UNDER SIZE	アンダーサイズ
V	VOLTAGE	ボルト
W	WASHER	ワッシャ
W	WATT	ワット
W	WIDTH	幅
W/	WITH	付き
W/O	WITHOUT	無し

CONTENTS

ENGINE PARTS

		FIG.
1	CRANKCASE	100
2	CRANKSHAFT, PISTON	200
3	INTAKE, EXHAUST	300
4	GOVERNOR, OPERATION	400
5	COOLING, STARTING	500,520
6	FUEL LUBRICANT	600,642
7	ELECTRIC DEVICE	700
9	ACCESSORIES,LABEL	900

PUMP PARTS

42	PUMP	4200
----	------	------

FIG. 100

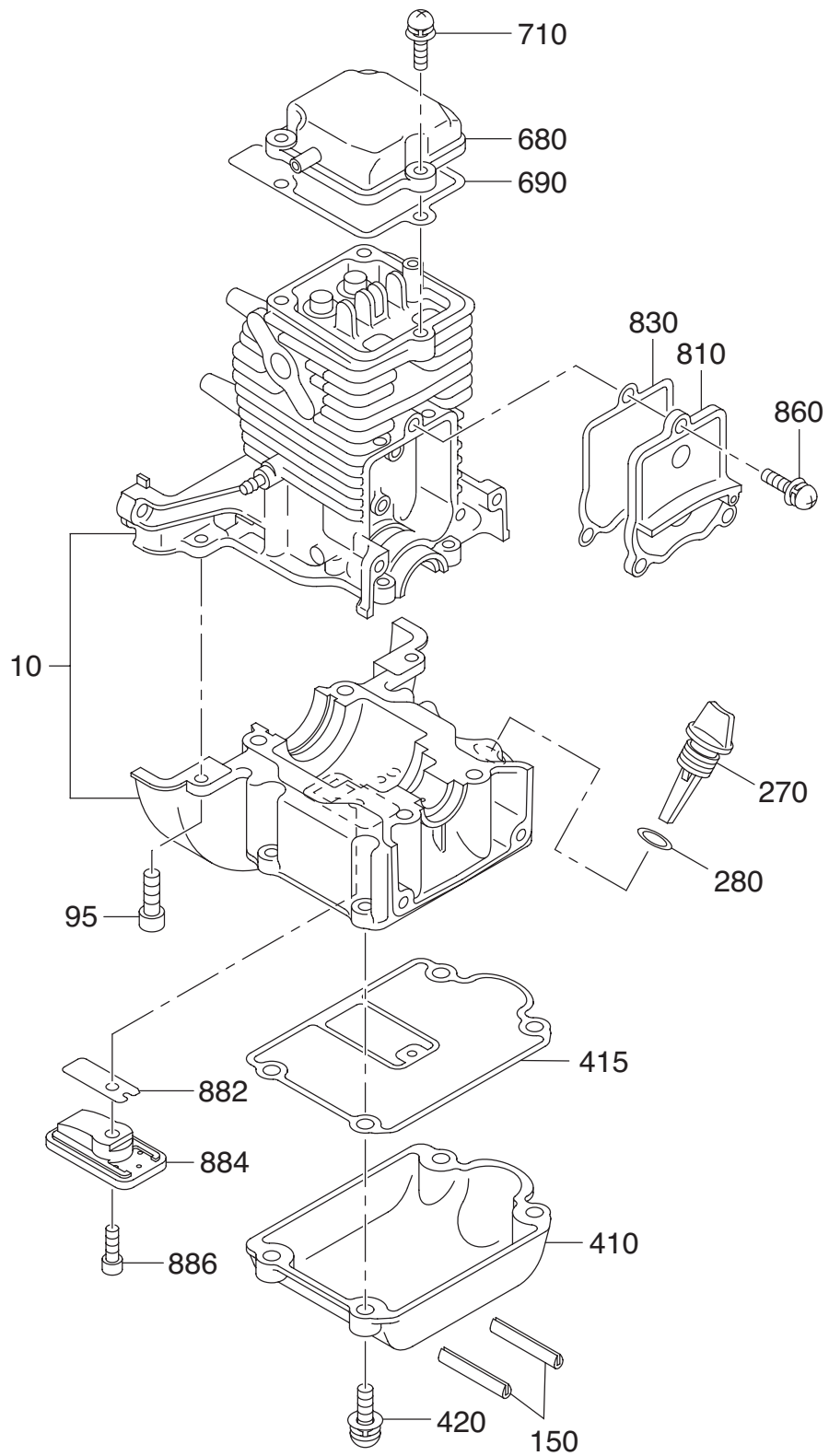


FIG. 200

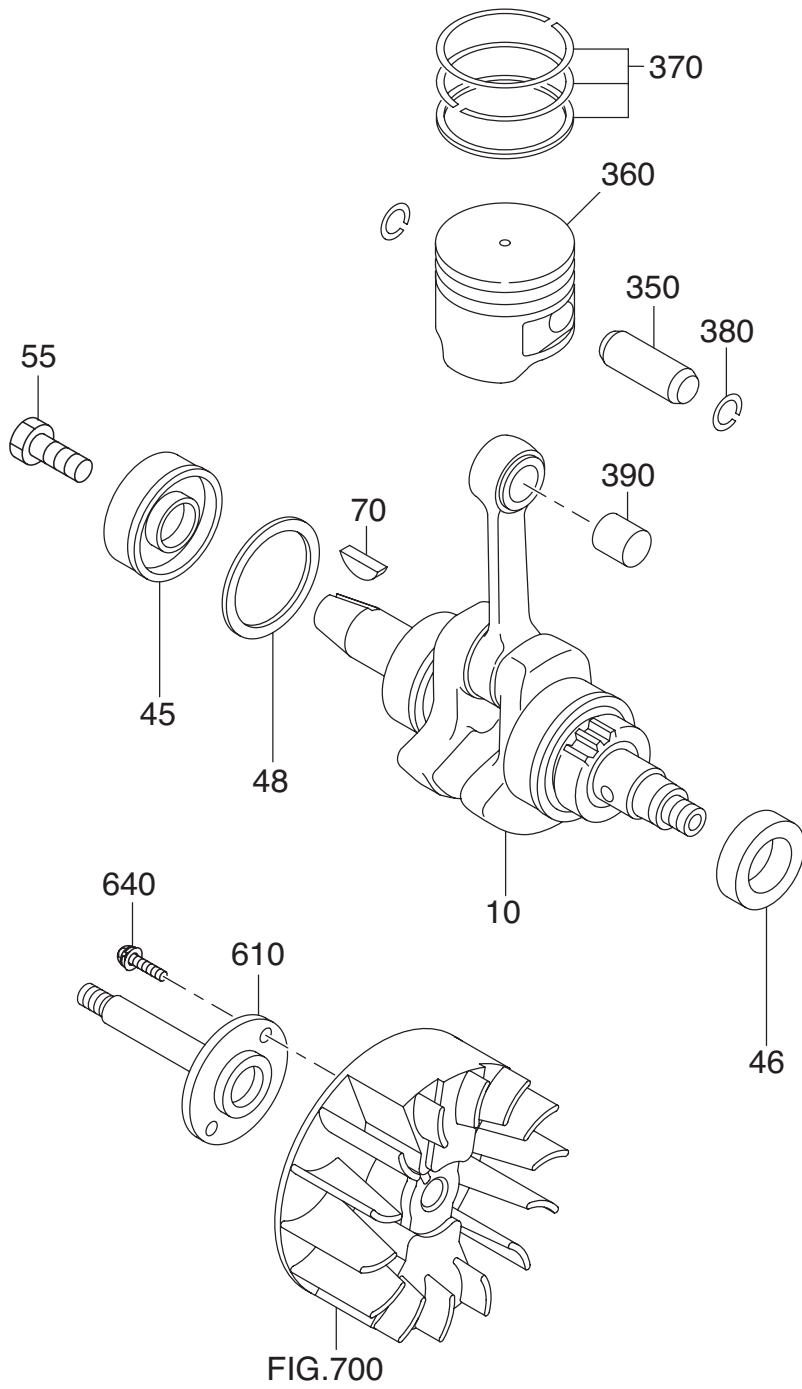
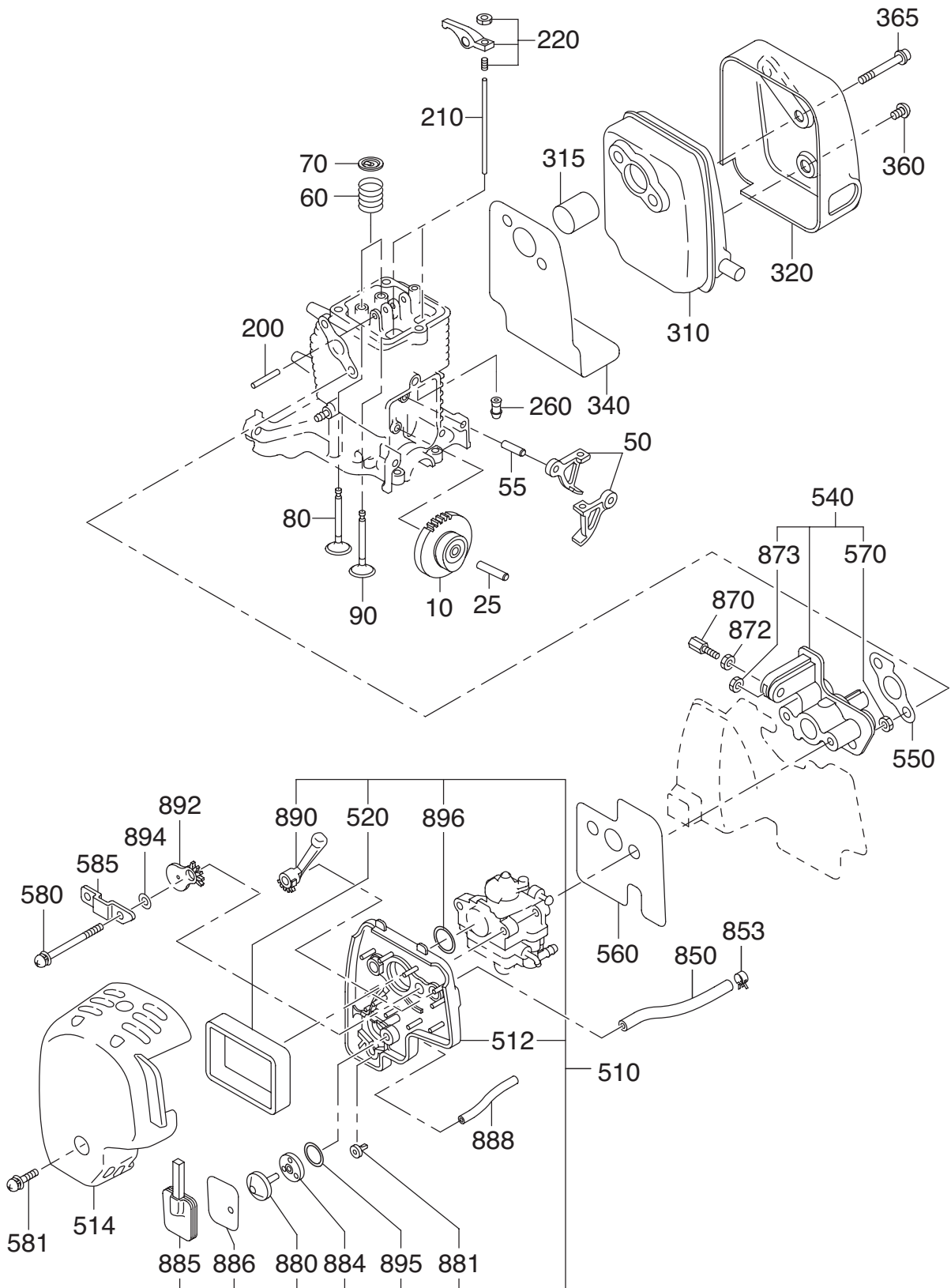


FIG. 300



3 INTAKE EXHAUST

REF.	PART NUMBER	PART NAME	QTY	R E M A R K S	CODE NO.	INTERCHANGE P/NO.	UNIT P	FIG.
10	592-30030-00-2	CAMGEAR AY	1		-			300
25	592-35005-01	SHAFT ,CAMGEAR	1		-			300
50	592-35000-01-1	CAMLIFTER	2		-			300
55	592-35006-00	SHAFT ,CAMLIFTER	1		-			300
60	592-35012-00	VALVE SPRING	2		-			300
70	592-35013-00	RETAINER ,SPRING	2		-			300
80	592-35015-00	INTAKE VALVE	1		-			300
90	592-35014-00	EXHAUST VALVE	1		-			300
200	593-35001-00	ROCKER SHAFT	1		-			300
210	592-35007-00	PUSH ROD	2		-			300
220	593-30020-00-1	ROCKER ARM AY	2		-			300
260	592-15014-00	SPACER	2		-			300
310	592-30010-00	MUFFLER	1		-			300
315	592-30080-10	SPARK ARRESTER	1		-			300
320	592-35034-00	COVER ,MUFFLER	1		-			300
340	592-35016-01	GASKET ,MUFFLER	1		-			300
360	014-00599-62	SCREW	1		-			300
365	011-90595-20	SOCKET HEAD BOLT	2		-			300
510	592-30040-03-1	PLATE ,CLEANER AY	1		-			300
512	592-30060-02	PLATE ,AIR CLEANER CP	1		-			300
514	592-35027-00	COVER ,AIR CLEANER	1		-			300
520	592-35032-00	ELEMENT	1		-			300
540	592-30050-01-1	INSULATOR CP	1		-			300
550	592-35018-01	GASKET ,INSULATOR	1		-			300
560	592-35040-00	GASKET ,CARBURETOR	1		-			300
570	002-17050-00	NUT	2		-			300
580	592-35031-00	SCREW	2		-			300
581	014-00594-80	SCREW	1		-			300
585	592-35026-00-1	PLATE	1		-			300
850	592-15009-00	PIPE ,BREATHER	1		-			300
853	056-10800-10	HOSE CLAMP	1	7.8DX6BX0.6T	-			300
870	014-90699-72	ADJUST SCREW	1		-			300
872	002-27060-00	NUT	1		-			300
873	002-27060-00	NUT	1		-			300
880	531-65007-01	CHECK VALVE	1		-			300
881	592-35024-00	CHECK VALVE(1)	1		-			300
884	592-35025-00	PLATE ,CHECK VALVE	1		-			300
885	593-35016-00	PLATE ,SEPARATOR	1		-			300
886	592-35035-00	GASKET ,SEPARATOR	1		-			300
888	592-35030-01	PIPE	1		-			300

FIG. 400

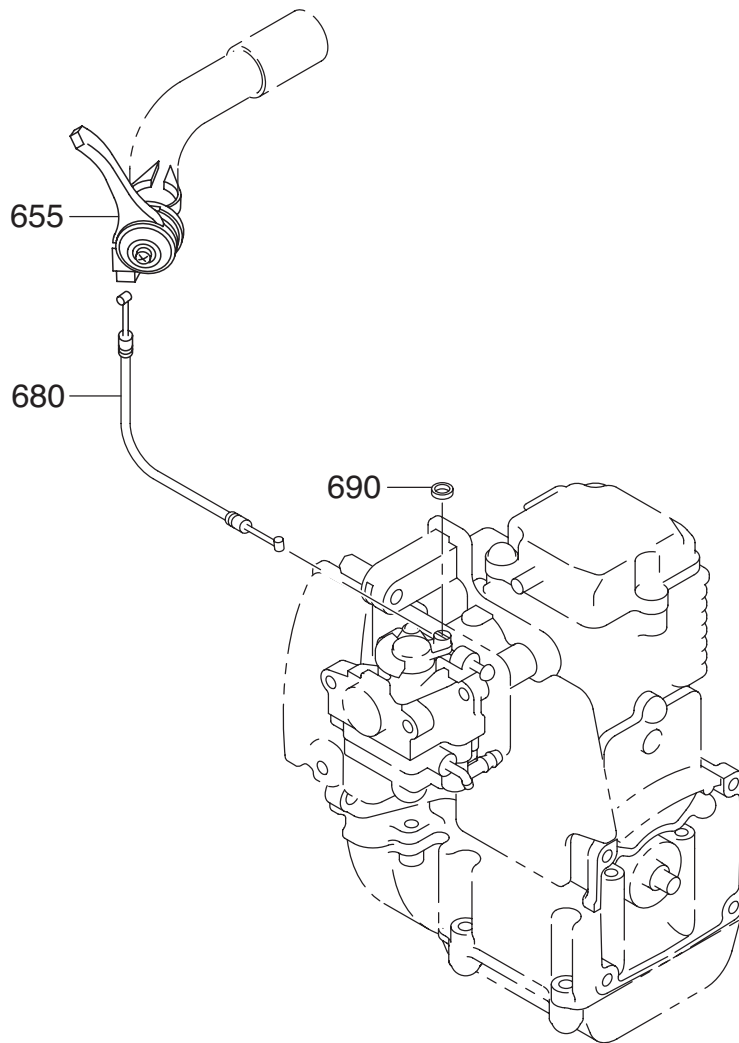


FIG. 500

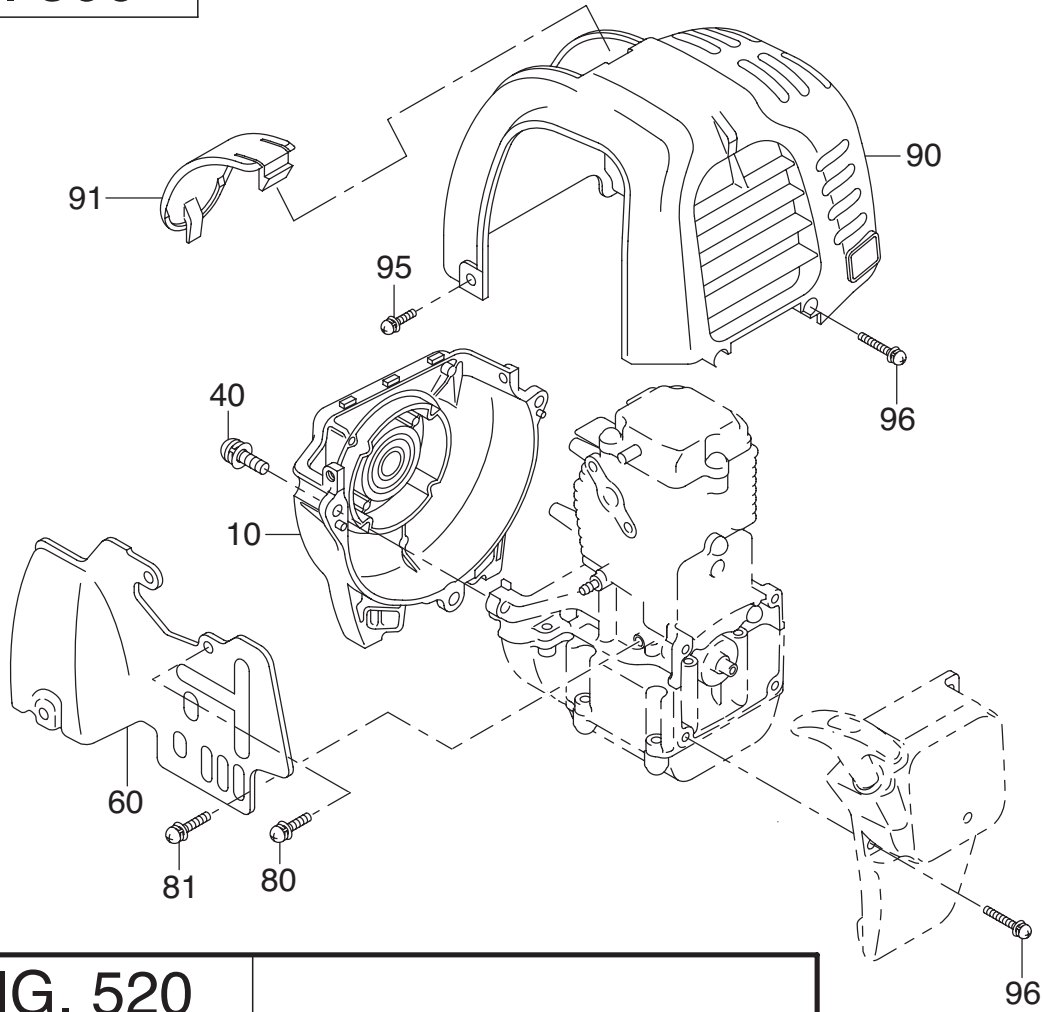


FIG. 520

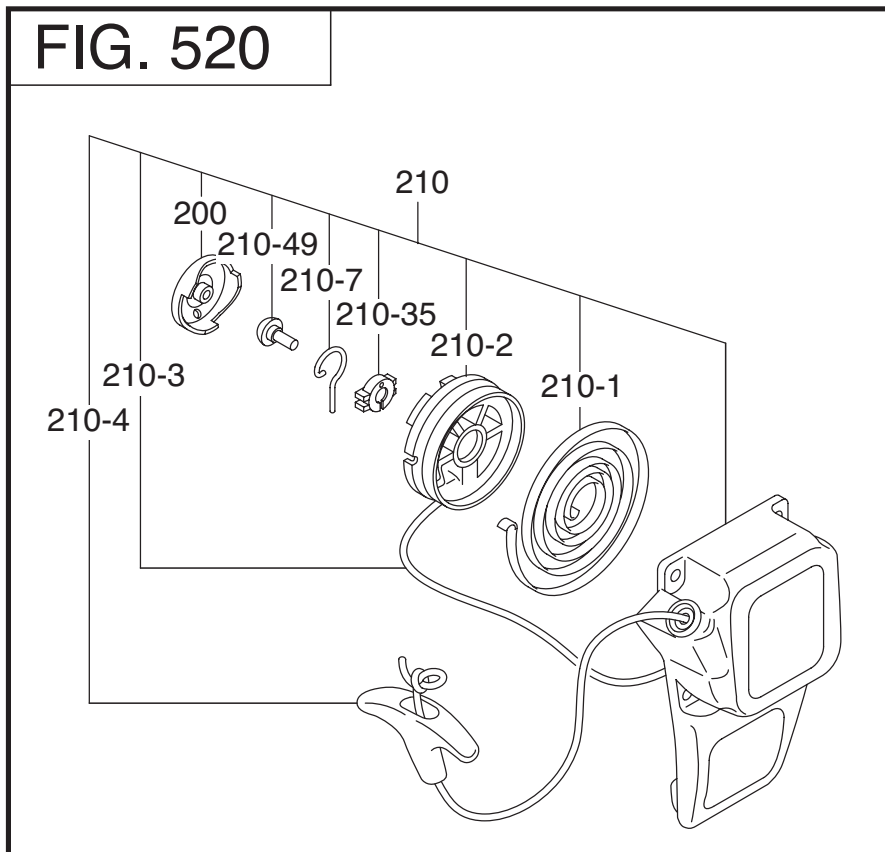


FIG. 600

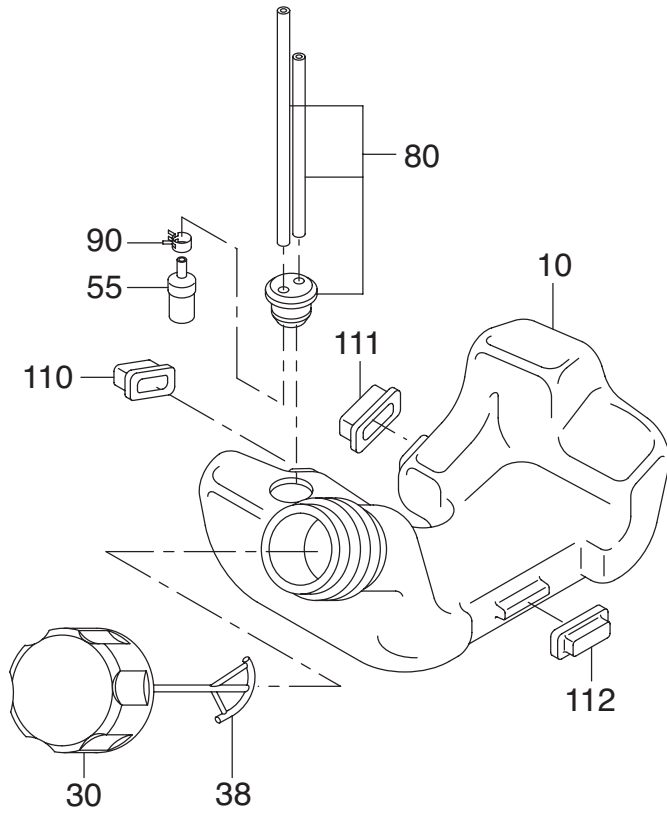


FIG. 642

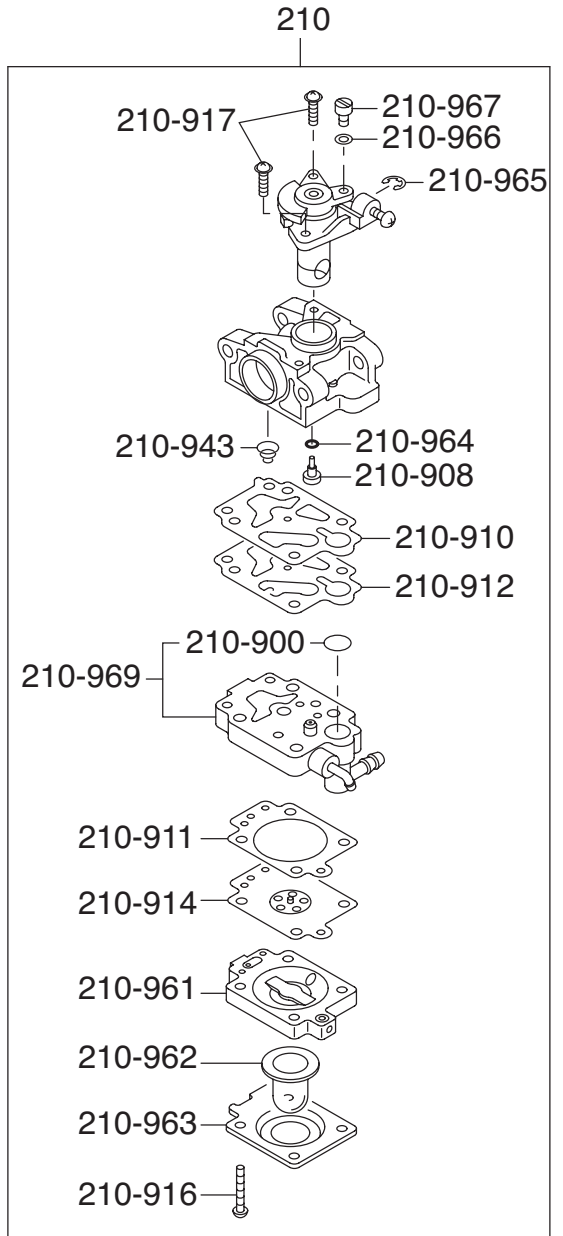


FIG. 700

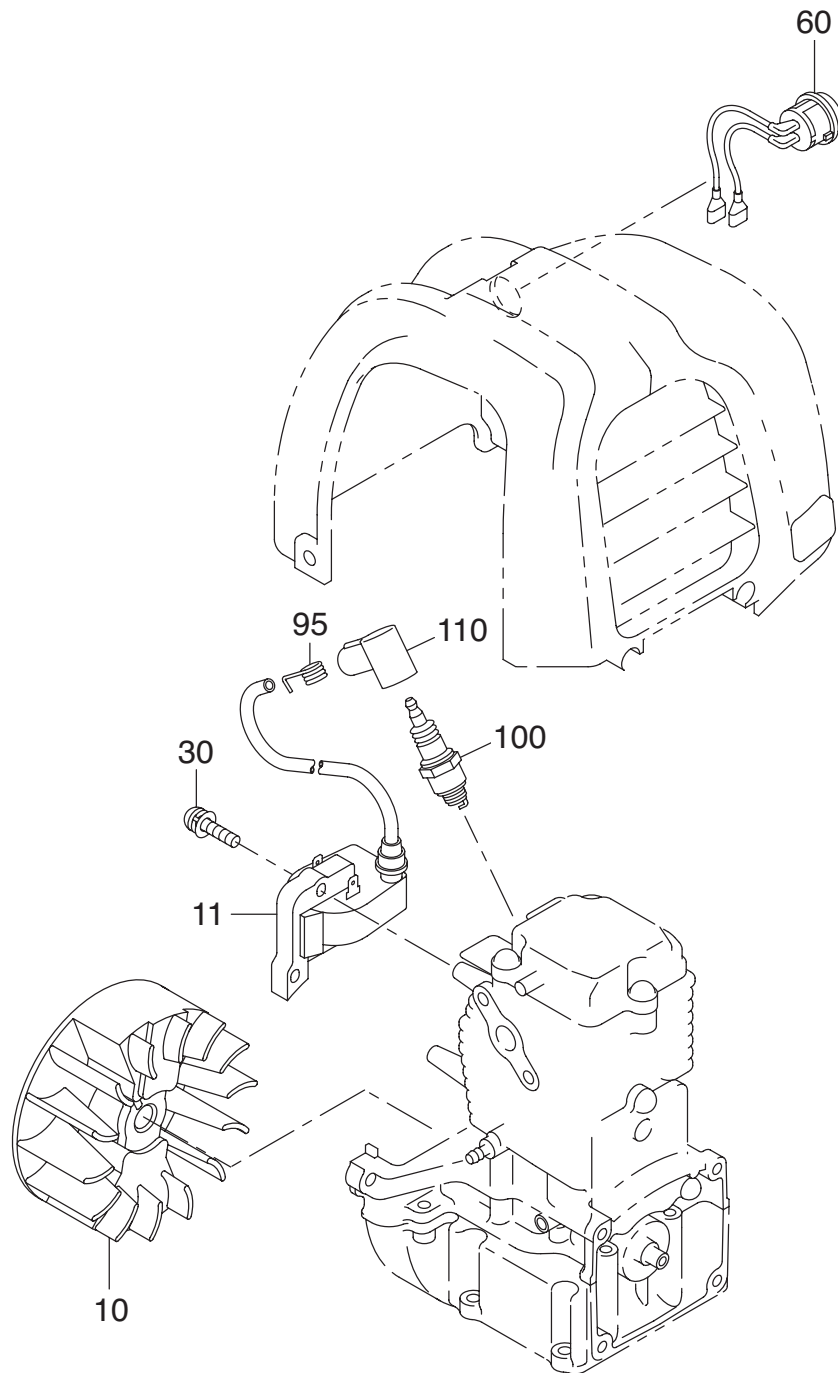


FIG. 900

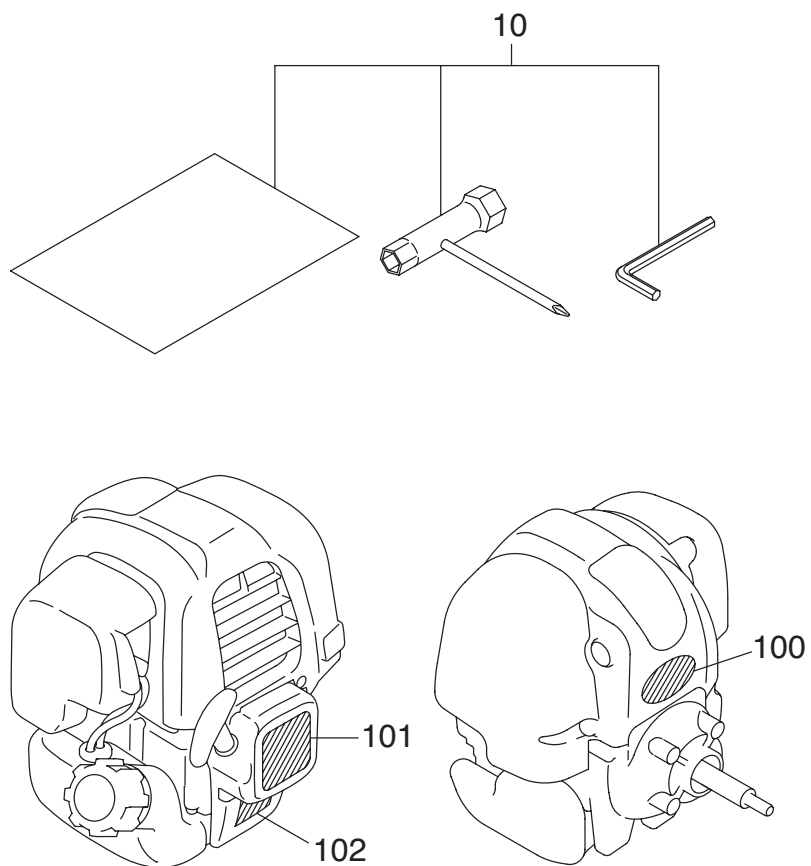
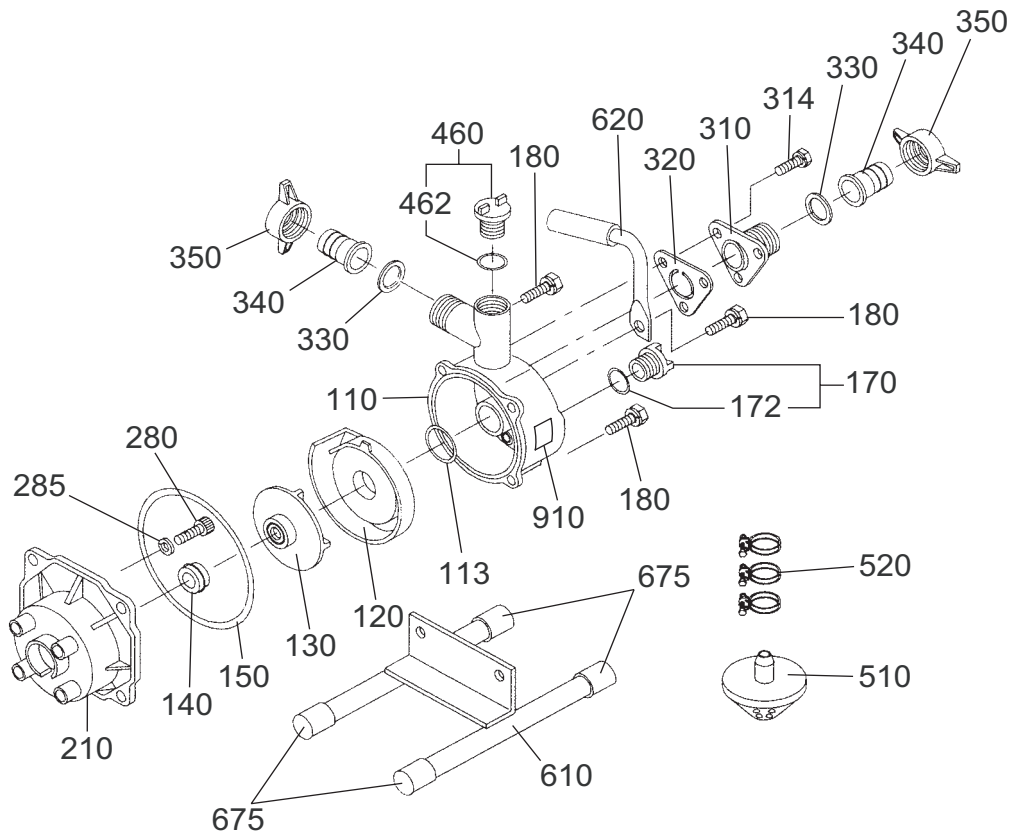


FIG. 4200



PART NUMBER INDEX LIST

PART NUMBER	PART NAME	FIG.	REF.	PART NUMBER	PART NAME	FIG.	REF.
002-17050-00	NUT	300	570	481-10000-11	PIPE BASE	4200	610
002-27060-00	NUT	300	872	483-00001-13	LABEL(PUMP NAME)	4200	910
002-27060-00	NUT	300	873	501-60040-10	SCREEN	642	210-900
004-36051-40	SCREW AND WASHER AY	100	860	503-65002-00-1	PLATE	600	110
004-36051-60	SCREW AND WASHER AY	100	710	503-65003-00-1	PLATE	600	111
004-36051-80	SCREW AY	100	420	519-50020-60	SET SCREW	520	210 - 49
004-36051-80	SCREW AY	500	80	519-50021-00	SWING ARM	520	210 - 7
004-36061-60	SCREW AND WASHER AY	200	640	519-50021-10	COLLAR	520	210 - 35
004-37042-00	SCREW	700	30	519-55000-00	PULLEY	520	200
011-90499-80	SOCKET HEAD BOLT	100	886	519-65003-02	DAMPER	600	112
011-90595-10	SOCKET HEAD BOLT	100	95	520-60080-30	SCREW	642	210-917
011-90595-20	SOCKET HEAD BOLT	300	365	521-50020-30	SPIRAL SPRING	520	210- 1
013-00699-40	BOLT	200	55	521-95000-00	HOLDER	400	690
014-00497-70	SCREW AY	500	96	522-50040-20	STARTER KNOB	520	210- 4
014-00593-50	SCREW AY	500	40	523-25026-00	PISTON PIN	200	350
014-00593-70	SCREW AY	500	81	523-60180-40	SWIVEL	642	210-967
014-00593-70	SCREW AY	500	95	523-60460-10	SCREW	642	210-916
014-00594-80	SCREW	300	581	523-60460-40	GASKET	642	210-911
014-00599-62	SCREW	300	360	523-60460-50	COVER,PRIMER PUMP	642	210-963
014-90699-72	ADJUST SCREW	300	870	523-60461-40	BODY AY-AIR PURGE	642	210-961
021-30699-90	GASKET	300	894	523-65039-00	FILTER	600	55
021-31699-90	GASKET	100	280	524-60010-10	O-RING	642	210-964
024-01399-70	O-RING	300	895	524-60010-40	DIAPHRAGM	642	210-912
024-01599-90	O-RING	300	896	524-60011-50	PUMP	642	210-962
032-30399-90	WOODRUFF KEY	200	70	525-60670-00	STRAP AY	600	38
044-01099-70	OIL SEAL(S)	200	46	531-60051-20	RING	642	210-965
044-01299-60	OIL SEAL(L)	200	45	531-65007-01	CHECK VALVE	300	880
056-10599-90	HOSE CLAMP	600	90	542-15005-00	CLIP	200	48
056-10800-10	HOSE CLAMP	300	853	542-60050-30	WASHER	642	210-966
056-50899-70	CLIP	200	380	592-10040-01	ROCKER COVER CP	100	680
061-00899-90	NEEDLE BEARING	200	390	592-10090-02-1	CYLINDER BLOCK SET	100	10
063-00498-61	CONTROL CABLE	400	680	592-15005-02-1	COVER,CAMGEAR	100	810
065-01099-50	PLUG,SPARK	700	100	592-15007-00	GASKET,COVER CAMGEAR	100	830
065-40099-31	SPRING,PLUG CAP	700	95	592-15008-00	GASKET,ROCKER COVER	100	690
073-64093-90	LABEL,NAME	900	100	592-15009-00	PIPE,BREATHER	300	850
480-02510-05	HEX.BOLT	4200	280	592-15010-00	LEAD VALVE	100	882
480-02510-08	WASHER	4200	285	592-15011-00	RETAINER PLATE	100	884
480-02510-10	MECHANICAL SEAL	4200	140	592-15014-00	SPACER	300	260
480-02510-16	COUPLING,HANDLE	4200	350	592-20030-00-1	CRANKSHAFT CP	200	10
480-02510-17	PACKING,COUPLING	4200	330	592-20040-00	PISTON RING SET	200	370
480-02510-18	HOSE COUPLING	4200	340	592-25009-00	PISTON	200	360
480-02510-28	HOSE BAND	4200	520	592-25010-00	SHAFT	200	610
480-02530-31	RUBBER	4200	675	592-30010-00	MUFFLER	300	310
480-02550-29	STRAINER	4200	510	592-30030-00-2	CAMGEAR AY	300	10
480-05010-21	PLUG,DRAIN	4200	170	592-30040-03-1	PLATE,CLEANER AY	300	510
480-05010-22	O-RING	4200	172	592-30050-01-1	INSULATOR CP	300	540
481-00001-86	HEX.BOLT	4200	180	592-30060-02	PLATE,AIR CLEANER CP	300	512
481-00001-87	HEX.BOLT	4200	314	592-30080-10	SPARK ARRESTER	300	315
481-10000-01	CASING COVER	4200	210	592-35000-01-1	CAMLIFTER	300	50
481-10000-02	O-RING	4200	150	592-35005-01	SHAFT,CAMGEAR	300	25
481-10000-03	IMPELLER	4200	130	592-35006-00	SHAFT,CAMLIFTER	300	55
481-10000-04	INNER CASING	4200	120	592-35007-00	PUSH ROD	300	210
481-10000-05	O-RING	4200	113	592-35012-00	VALVE SPRING	300	60
481-10000-05	O-RING	4200	462	592-35013-00	RETAINER,SPRING	300	70
481-10000-06	CASING	4200	110	592-35014-00	EXHAUST VALVE	300	90
481-10000-07	CARRING HANDLE	4200	620	592-35015-00	INTAKE VALVE	300	80
481-10000-08	CHECK VALVE	4200	320	592-35016-01	GASKET,MUFFLER	300	340
481-10000-09	VALVE CASE	4200	310	592-35018-01	GASKET,INSULATOR	300	550
481-10000-10	PLUG AY	4200	460	592-35020-00	INSULATOR,CARBURETOR	500	60

PART NUMBER INDEX LIST

PART NUMBER	PART NAME	FIG.	REF.	PART NUMBER	PART NAME	FIG.	REF.
592-35022-00-1	LEVER, CHOKE	300	890				
592-35023-01	PLATE, CHOKE	300	892				
592-35024-00	CHECK VALVE(1)	300	881				
592-35025-00	PLATE, CHECK VALVE	300	884				
592-35026-00-1	PLATE	300	585				
592-35027-00	COVER, AIR CLEANER	300	514				
592-35030-01	PIPE	300	888				
592-35031-00	SCREW	300	580				
592-35032-00	ELEMENT	300	520				
592-35034-00	COVER, MUFFLER	300	320				
592-35035-00	GASKET, SEPARATOR	300	886				
592-35040-00	GASKET, CARBURETOR	300	560				
592-50010-02	RECOIL STARTER AY	520	210				
592-50010-30	REEL	520	210- 2				
592-50010-50	STARTER ROPE	520	210- 3				
592-50030-00	HOUSING, BLOWER CP	500	10				
592-55014-00	COVER, CYLINDER	500	90				
592-60020-20	SPRING-PUMP	642	210-943				
592-60020-40	GASKET-PUMP	642	210-910				
592-60021-20	JET	642	210 -908				
592-60021-40	BODY AY-PUMP	642	210-969				
592-60030-00	TUBE	600	80				
592-60080-10	DIAPHRAGM AY-METER.	642	210-914				
592-60110-00-2	CARBURETOR AY	642	210				
592-60170-00	CAP, FUEL TANK	600	30				
592-65000-00-2	CASE, OIL	100	410				
592-65001-00	GASKET, CASE	100	415				
592-65004-00-1	TANK, FUEL	600	10				
592-65006-00	OIL GAUGE	100	270				
592-65009-00-1	GUARD, CASE OIL	100	150				
592-70020-00-1	STOP SWITCH AY	700	60				
592-70120-10	IGNITION COIL	700	11				
592-75000-00-1	COVER, PLUG	500	91				
592-75001-00	CAP, PLUG	700	110				
592-75002-00-1	FLYWHEEL	700	10				
592-90020-00	TOOL	900	10				
592-95004-05	LABEL, ENGINE	900	101				
592-95034-00	LABEL, MODEL	900	102				
593-30020-00-1	ROCKER ARM AY	300	220				
593-35001-00	ROCKER SHAFT	300	200				
593-35016-00	PLATE, SEPARATOR	300	885				
625-50080-00-1	CONTROL LEVER	400	655				