



PARTS CATALOG

Robin

Pump

Model

PTX301D

Spec. No. PTX301D0000
(EX170D50160)
PTX301D0010
(EX170D50230)

FUJI HEAVY INDUSTRIES LTD.
INDUSTRIAL PRODUCTS COMPANY

ISSUE EMD - PP6251
ISSUE DATE 2005.9

HOW TO USE THIS PARTS CATALOG

REF. NO.	PART NUMBER		PART NAME		CODE NO.	QTY	REMARKS	INTERCHANGABLE PART NUMBER	FIG. NO.
				SPEC. NO.	FROM - TO				
	6 FUEL LUBRICANT								
10	276-60101-01		FUEL TANK CP		-	1	2.7L ROBIN YELLOW	276-60101-11	600
20	073-20044-50		LABEL(CAUTION)		-	1	38X70 ILLUSTR		600
		073-20051-81		EX130D10120	-	1	42X104 ENGLISH		600
30	043-04300-15		FUEL TANK CAP		-	1			600
40	X64-13600-10		FUEL FILTER		6331 -	1	36DX46DX43H		600
		064-13600-10		FUEL FILTER	- 6330	1	36DX46DX43H		600
50	064-20064-00		FUEL STRAINER		-	1			630
- 1	064-20064-20		FILTER		-	1			630
- 2	064-20064-10		PACKING		-	1			630
- 3	064-20042-10		CUP		-	1			630

SECTION NAMEParts are broadly classified according to their functions.

Refer to section indexes(contents)for respective section name.

FIG.No.It indicates illustration number. FIG.No. with the same figure in the third of hundreds shows that it is in a group of the same section. FIG.No. illustrating the target part can be read in the right-end section of the list.

REF.No......It is a number to compare the part illustrated with the part number in the list.Serch for REF.No. in the list in the corresponding REF.No. in the illustration to determine the part number.

Section shows a 'SUB-ASSEMBLY PART' of section which is indicated by the number led by '-' such as '-1','-2'.

PART NUMBER.....It is the number assigned for sales unit.

Use the PART No. when marking an order.

PART No. employed in the representative SPEC. No. has been entered at the head of each REF. No. being shifted to the left.

However, the parts with marking of “* * * * *” show that they are not used in the representative SPEC. No..

PART No. entered to the right side as in (5A) are the parts employed in a SPEC. No. other than the representative SPEC. No., and each SPEC. No. using these parts are listed in the section on the right as in in ascending order. If no entry of SPEC. No. contains, it is the same PART No. as the representative SPEC. No. (STD) or the part which has not been employed in the SPEC. No. concerned.

PART NAME.....It is designation of the part. The SPEC. No. corresponding to the PART No. are listed below the part name. PART NAME of PART No. is indicated on the same line as each REF. No..

SPEC.No.This helps identify specifications of the product. This manual has been edited based on RAS17031000 • EH092DN8510 as representative SPEC. No.. For the SPEC. No other than the representative SPEC. No., it has been edited so that parts different from the representative SPEC. No. are to be listed.

CODE No......It indicates history of progress in which improved parts have been introduced into the product concerned.The CODE No. helps identify PART No. being employed in the product concerned.

-
4415 -
- 4414

The part has been employed in the product irrespective of CODE No.

The part is employed in the products with CODE No. of 4415 and after this number.

The part is employed in the products with CODE No. of 4414 and before this number.

Q'ty.....Quantity of part being employed for each product. (If quantity of the same PART No.employed varies according to SPEC. No., the maximum quantity is indicated.)

REMARKS.....This gives a distinctive feature and/or a supplementary comment for the type,the specification,and the part concerned.

INTERCHANGEABLE...It shows part number(s) interchangeable for the part given in the section **PART NUMBER** (5A). Please note that parts with interchangeable PART No. may be delivered for your order.

Table of abbreviations/略語一覧

ABBREVIATIONS/略語	DESCRIPTION	説明
A	AMPERE	アンペア
AC	AIR CLEANER	エアクリーナ
AY	ASSEMBLY	アッセンブリ
B	BREADTH	幅
BB	BALL BEARING	ボールベアリング
CD	CENTER DISTANCE	中心間距離
CP	COMPLETE	コンプリート
D	DIAMETER	内径、外径、中心径
EX	EXPORT	輸出
EX	EXHAUST	排気
FIG	FIGURE	フィギュア(図解)
FR	FRONT	前側
H	HEIGHT	高さ
HZ	HERTZ	ヘルツ
IN	INCH	インチ
IN	INTAKE	吸入
L	LITER	リットル
L	LENGTH	長さ
LH	LEFT HAND	左側
MG	MAGNETIC	マグネチック
N	NUMBER	数、巻数
N R Y	NEW ROBIN YELLOW	新ロビン色
OS	OIL SENSOR	オイルセンサ
O.S.	OVER SIZE	オーバーサイズ
P	PITCH	ピッチ
PD	PITCH DIAMETER	中心径
PTO	POWER TAKE OFF	動力取出し
REF	REFERENCE	レファレンス(照合)
RH	RIGHT HAND	右側
RR	REAR	後側
ST	STARTER	スタータ
STD	STANDARD	標準
SW	SPRING WASHER	スプリングワッシャ
SW	SWITCH	スイッチ
T	THICKNESS	厚さ
TH	THROTTLE	スロットル
UN	UNIT	ユニット
U.S.	UNDER SIZE	アンダーサイズ
V	VOLTAGE	ボルト
W	WASHER	ワッシャ
W	WATT	ワット
W	WIDTH	幅
W/	WITH	付き
W/O	WITHOUT	無し

CONTENTS

ENGINE PARTS

		FIG.
1	CRANKCASE	100
2	CRANKSHAFT, PISTON	200
3	INTAKE, EXHAUST	300,315
4	GOVERNOR, OPERATION	400
5	COOLING, STARTING	500,520
6	FUEL LUBRICANT	600,640
7	ELECTRIC DEVICE	700,770
9	ACCESSORIES	900

PUMP PARTS

42	PUMP	4200
----	------	------

FIG. 100

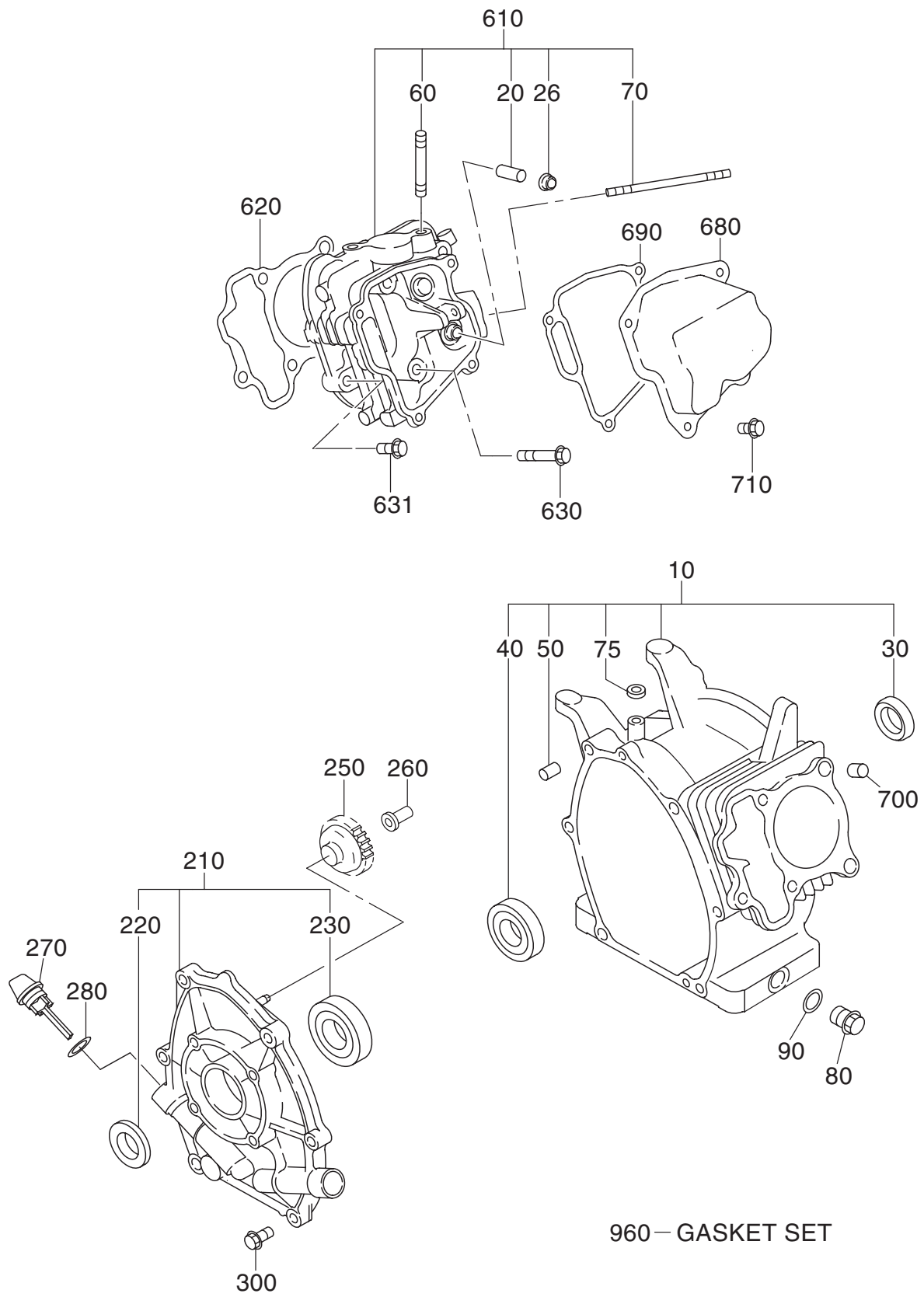


FIG. 200

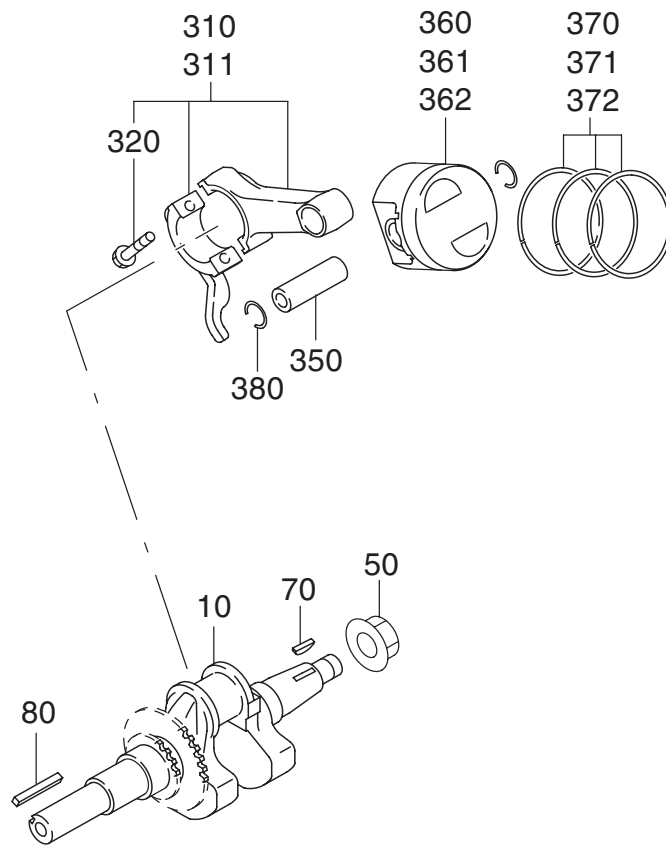


FIG. 300

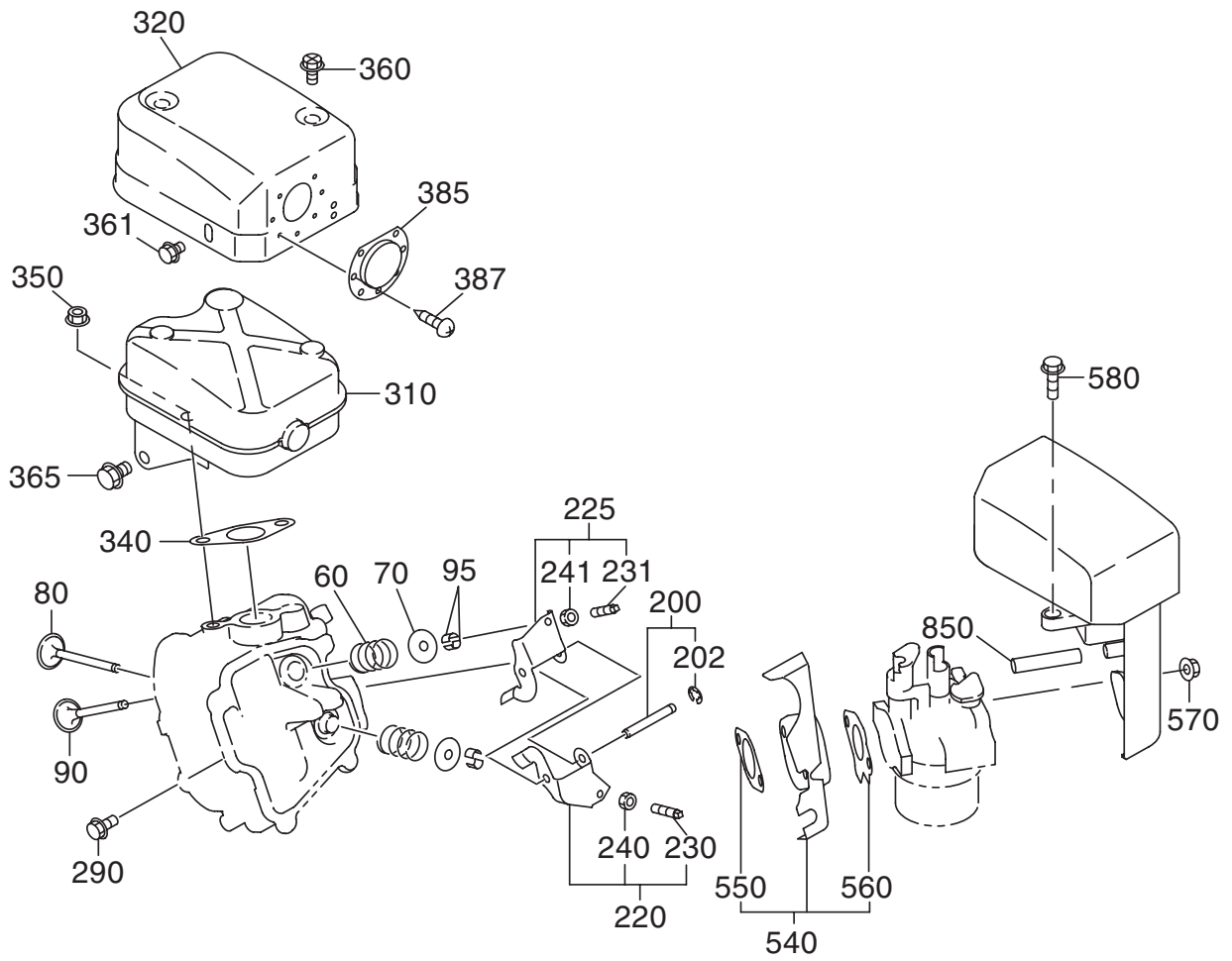
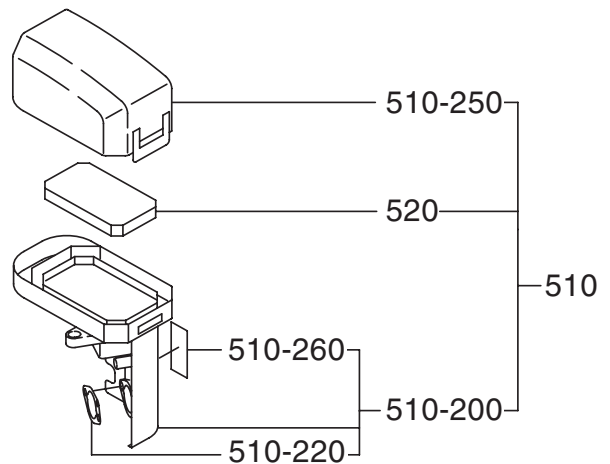


FIG. 315



3 INTAKE EXHAUST

REF. NO.	PART NUMBER		PART NAME		CODE No. FROM - TO	QTY	REMARKS	INTERCHANGEABLE PART NUMBER	FIG. NO.
		PART NUMBER		SPEC.No.					
10	277-31601-31		CAM SHAFT CP		6545-	1	85DX2.9B N=40		300
	277-31601-11		CAM SHAFT CP		-6544	1	85DX2.9B N=40	277-31601-31	300
25	277-35101-03		PIN(CAM SHAFT)		-	1	9DX78.5L		300
27	024-00600-10		O RING		-	1	5.8DX9.6D		300
34	277-38601-03		PIN(SPRING)		-	1	4DX8DX9L		300
35	277-36401-03		RELEASE LEVER		-	1			300
37	277-36501-03		CLIP		-	1	13.8DX20.3DX0.4T		300
38	277-38702-03		RETURN SPRING		-	1	5.1DX0.6DX4.4L N=7		300
60	279-33601-03		VALVE SPRING		-	2	19.2DX2.3DX27.4L		300
70	269-33701-03		SPRING RETAINER		-	2			300
80	277-33401-H3		INTAKE VALVE		6291-	1	25.5DX5.5DX68.1L		300
	277-33401-13		INTAKE VALVE		-6290	1	25.5DX5.5DX68.1L	277-33401-H3	300
90	277-33501-H3		EXHAUST VALVE		6291-	1	23.5DX5.5DX68.1L		300
	277-33501-13		EXHAUST VALVE		-6290		23.5DX5.5DX68.1L	277-33501-H3	300
95	132-10KA0-31		COLLET-VALVE		-	4			300
150	277-35601-11		TIMING CHAIN CP		-	1	88 LINK		300
160	277-36911-03		TENTIONER		-	1			300
163	277-37101-03		SPRING(TENTIONER)		-	1	10DX1.8DX14L N=4.5		300
166	277-36902-03		PIN(TENTIONER)		-	1	6DX13DX34L		300
170	277-36913-13		CHAIN GUIDE		-	1			300
200	277-35002-01		PIN(ROCKER) CP		-	1	6DX46L		300
202	003-13050-00		CLIP		-	1			300
220	277-36201-00		ROCKER ARM(IN) AY		-	1			300
225	277-36202-00		ROCKER ARM(EX) AY		-	1			300
230	014-90500-20		ADJUST SCREW		-	1	M5X0.5X23L		300
231	014-90500-20		ADJUST SCREW		-	1			300
240	017-00500-30		NUT		-	1	M5X0.5X4.1H		300
241	017-00500-30		NUT		-	1			300
290	011-00600-20		FLANGE BOLT		-	1	M6X1.0X14DX12L		300
310	277-30101-H1		MUFFLER CP		6484-	1			300
	277-30101-21		MUFFLER CP		-6483	1		277-30101-H1	300
320	277-34201-11		MUFFLER COVER CP		-	1			300
340	277-35201-13		GASKET(MUFFLER)		-	1	T=0.2 26D 9DX58P		300
350	980-20082-80		FLANGE NUT		-	2			300
360	015-20600-90		TAPPING BOLT		-	2	M6X13DX10L		300
361	011-00600-10		FLANGE BOLT		-	1	M6X1.0X14DX8L		300
365	011-00803-20		FLANGE BOLT		-	1	M8X1.25X16DX12L		300

FIG. 400

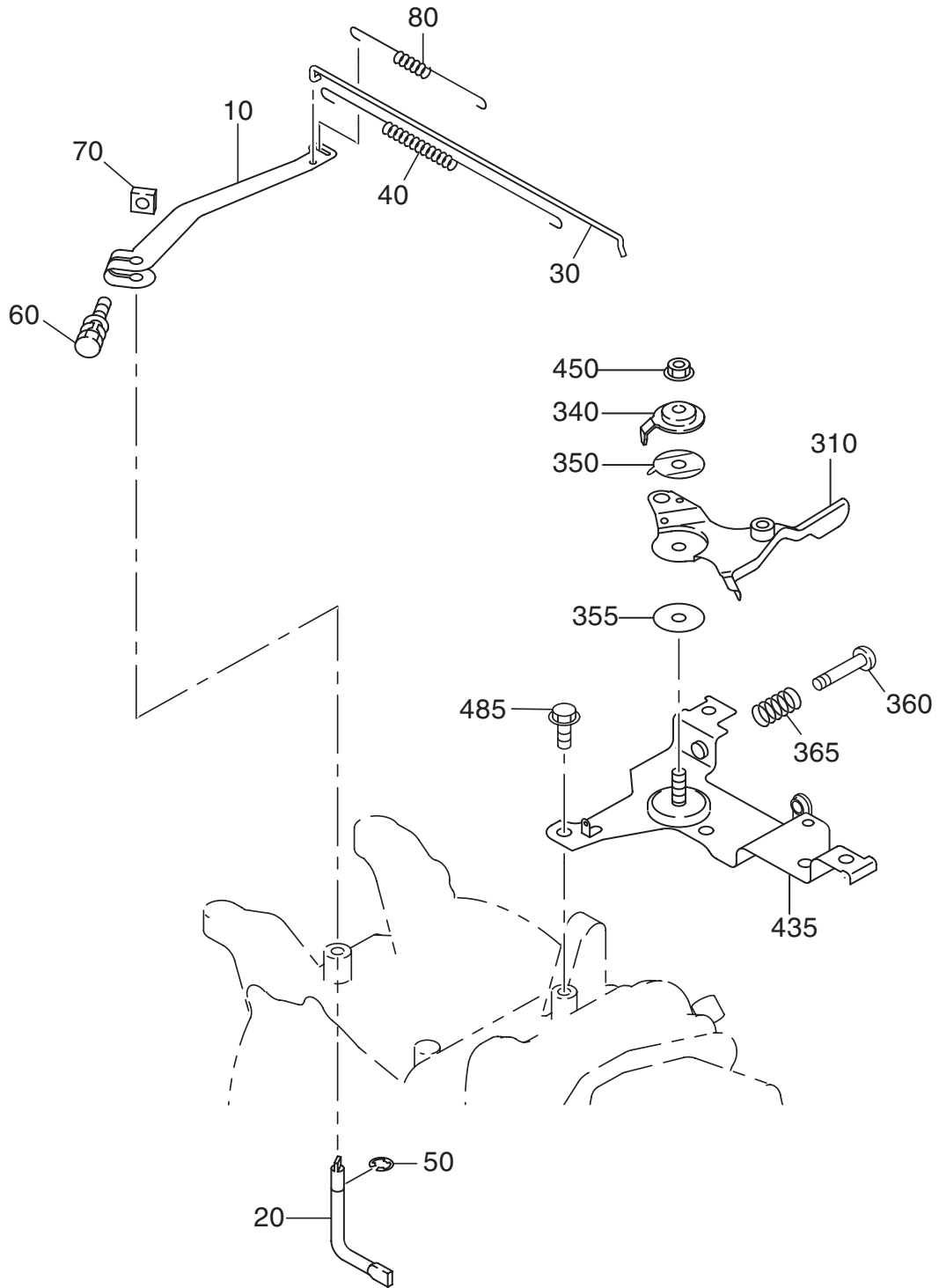


FIG. 500

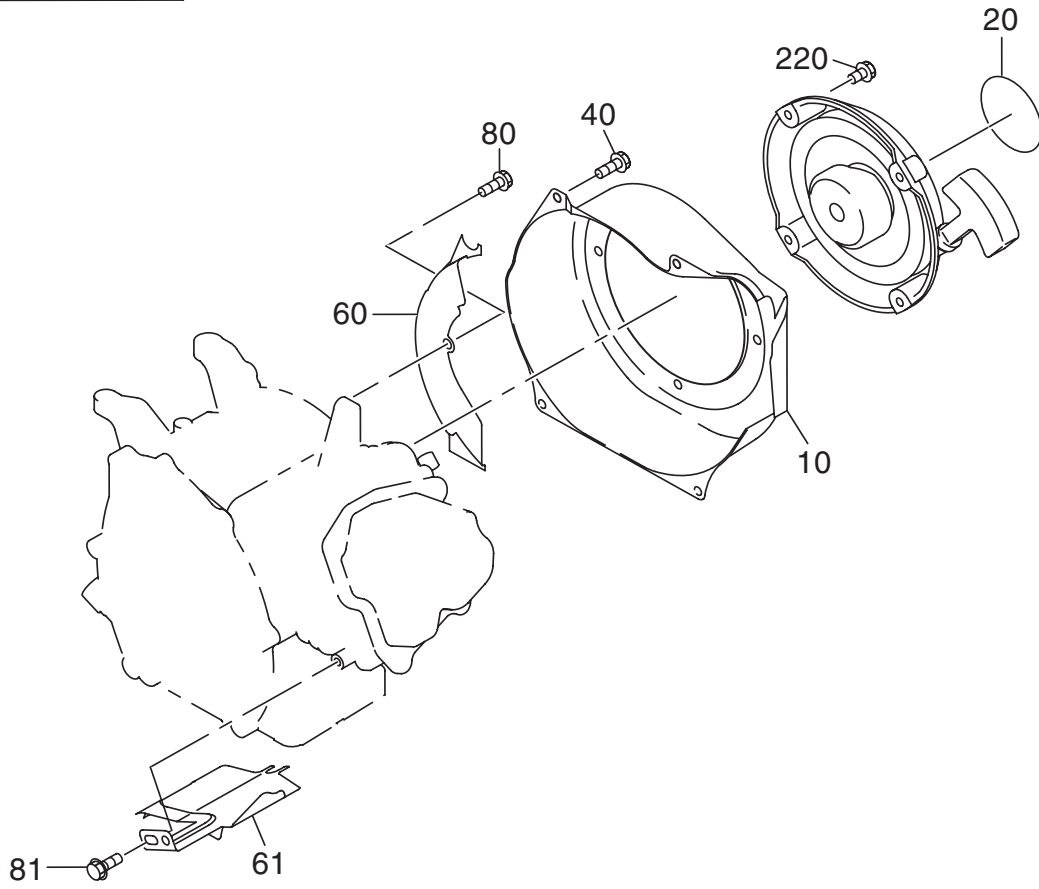


FIG. 520

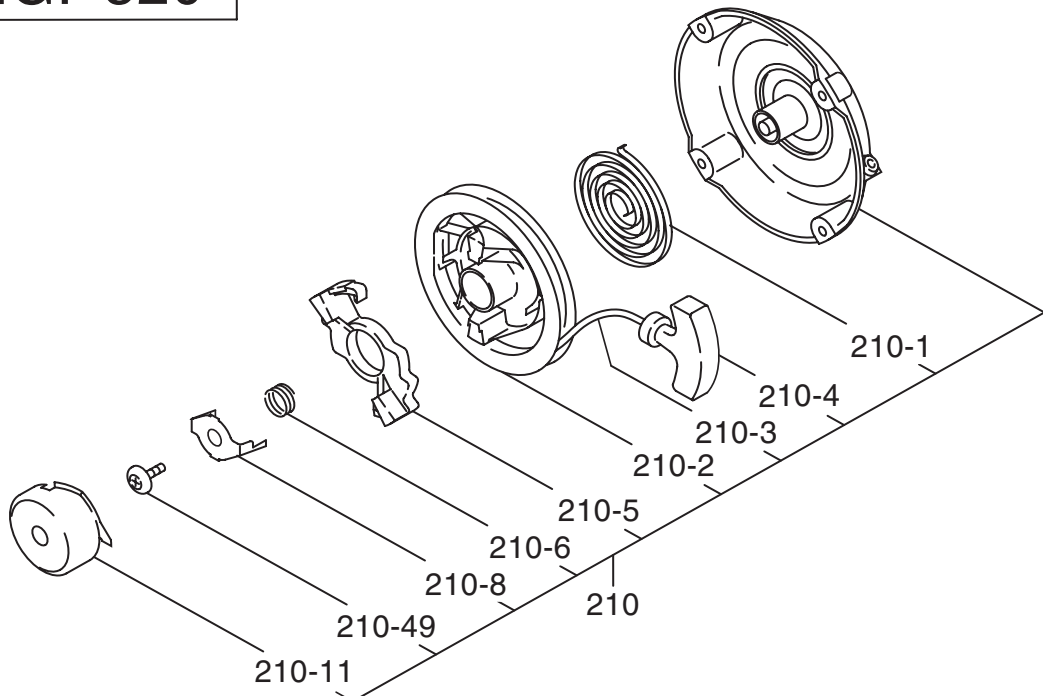


FIG. 600

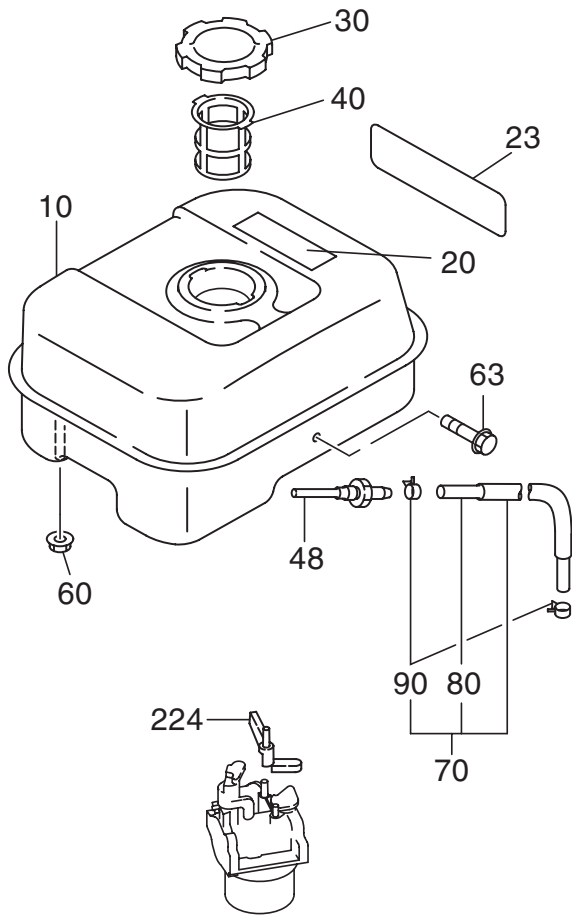


FIG. 640

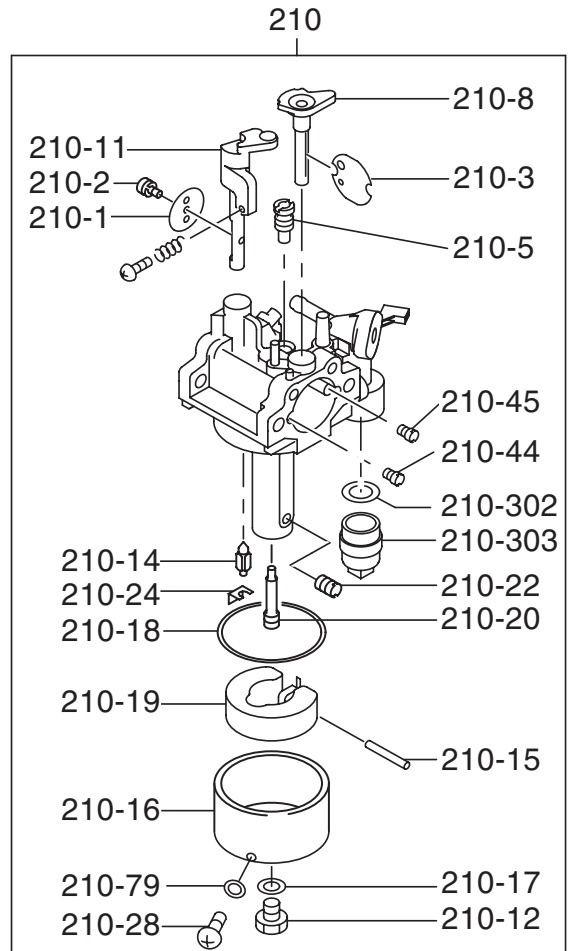


FIG. 700

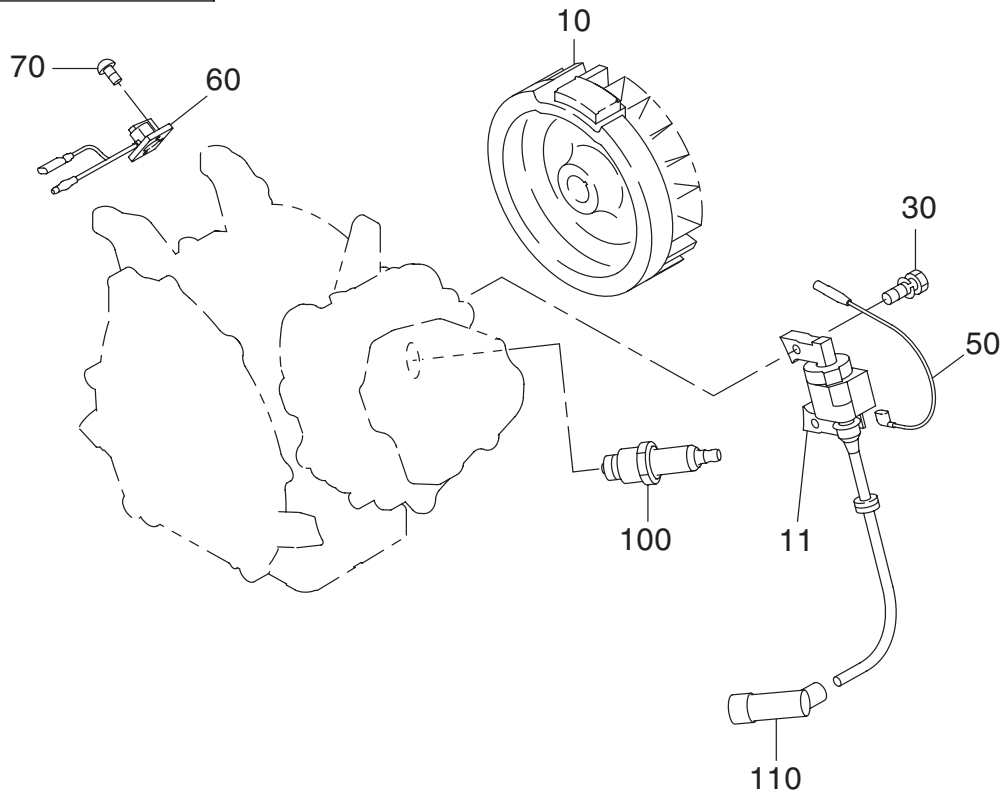


FIG. 770

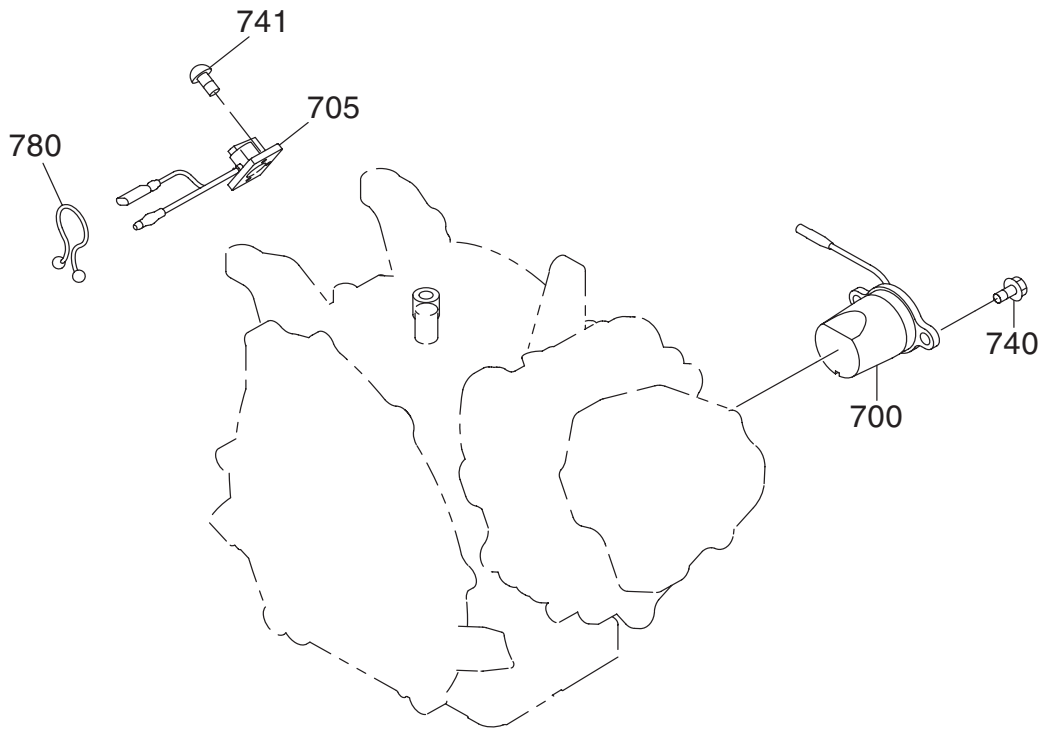


FIG. 900

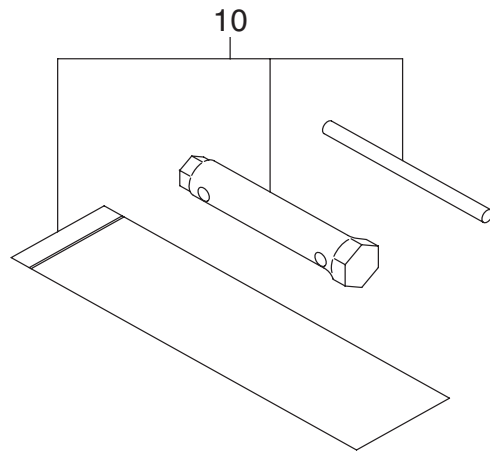
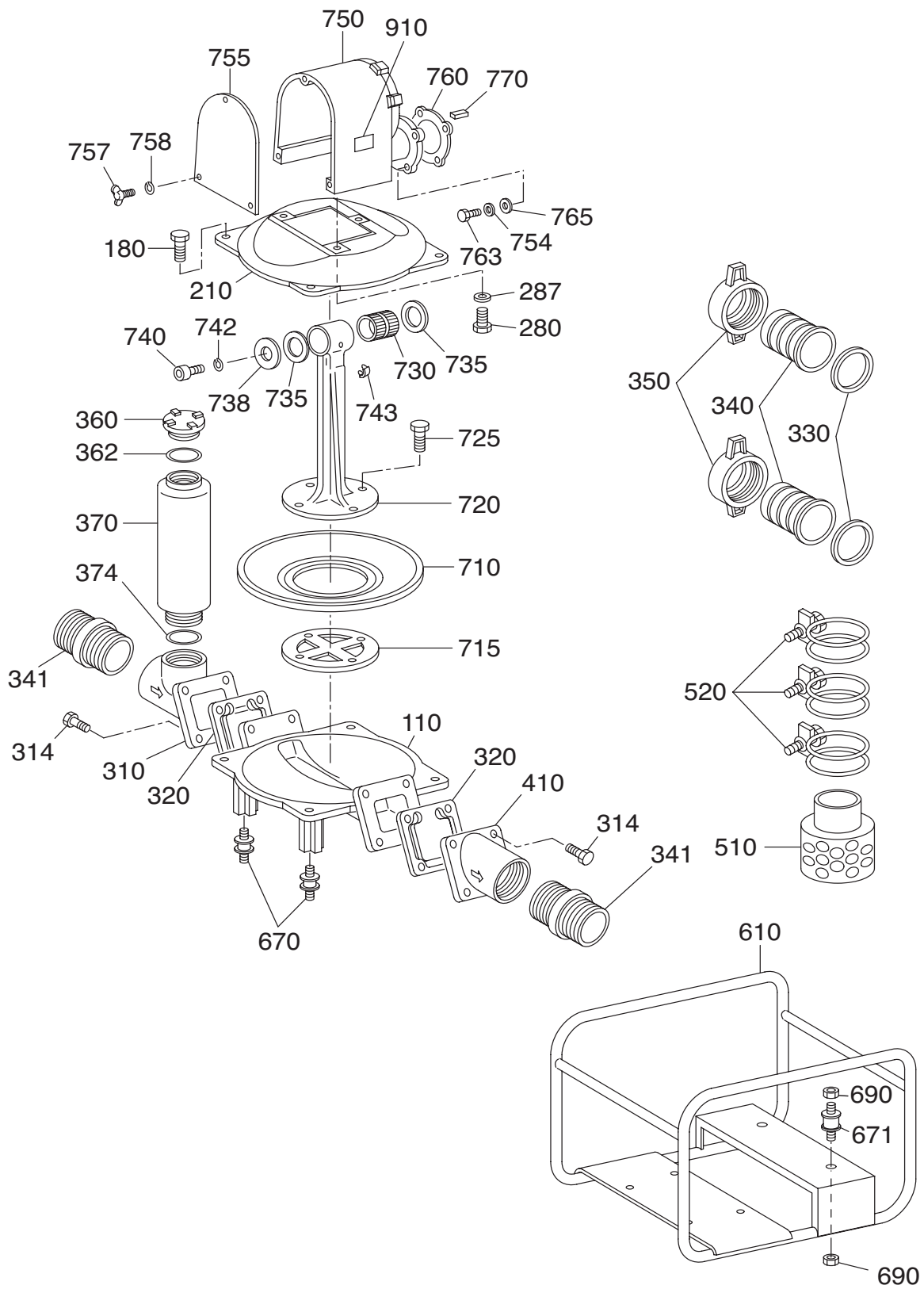


FIG. 4200



42 PUMP

REF. NO.	PART NUMBER		PART NAME		CODE No. FROM - TO	QTY	REMARKS	INTERCHANGEABLE PART NUMBER	FIG. NO.
		PART NUMBER		SPEC. No.					
110	480-08310-17		PUMP BODY, LOWER		-	1			4200
180	480-05310-02		HEX BOLT		-	4			4200
210	480-08310-01		PUMP BODY, UPPER		-	1			4200
280	480-05310-03		HEX BOLT		-	3			4200
287	480-05310-29		WASHER		-	3			4200
310	480-08310-23		SUCTION FLANGE		-	1			4200
314	480-05310-12		HEX BOLT		-	8			4200
320	480-08310-24		VALVE		-	2			4200
330	480-08010-17		PACKING, COUPLING		-	2			4200
340	480-08210-22		HOSE COUPLING		-	2			4200
341	480-08310-30		NIPPLE		-	2			4200
350	480-08010-16		COUPLING, HANDLE		-	2			4200
360	480-08210-12		PLUG		-	1			4200
362	480-08210-18		O RING		-	1			4200
370	480-08310-20		SUCTION CHAMBER		-	1			4200
374	480-08310-21		O RING		-	1			4200
410	480-08310-26		DELIVERY FLANGE		-	1			4200
510	480-08310-33		STRAINER		-	1			4200
520	480-08010-28		HOSE BAND		-	3			4200
610	481-00001-84		FRAME		-	1			4200
670	480-05310-05		RUBBER CUSHION		-	4			4200
671	480-05310-06		RUBBER CUSHION		-	2			4200
690	480-10010-24		NUT & WASHER AY		-	8			4200
710	480-08310-15		DIAPHRAGM		-	1			4200
715	480-08310-16		CAP, DIAPHRAGM		-	1			4200
720	480-08310-14		ROD		-	1			4200
725	480-08010-14		BOLT & WASHER AY		-	4			4200
730	480-05310-08		NEEDLE BEARING		-	1			4200
735	480-05310-07		WASHER		-	2			4200
738	480-05310-10		THRUST WASHER		-	1			4200
740	480-05310-11		HEX BOLT		-	1			4200
742	480-05310-36		SPRING WASHER		-	1			4200
743	480-05310-09		GREASE NIPPLE		-	1			4200
750	480-05310-42		GEAR UNIT		-	1			4200
754	480-05310-36		SPRING WASHER		-	4			4200
755	480-05310-34		COVER		-	1			4200
757	480-05310-32		WING SCREW		-	3			4200

PART NUMBER INDEX LIST(FIG.No.100 - 900)

PART NUMBER	PART NAME	FIG.	REF.	PART NUMBER	PART NAME	FIG.	REF.
001-04061-60	FLANGE BOLT	500	80	132-10KA0-31	COLLET-VALVE	300	95
001-04083-50	FLANGE BOLT	100	300	206-26001-13	KEY	200	80
001-14061-60	BOLT AND WASHER AY	770	740	209-62351-08	SCREW	640	210 - 2
001-14062-50	BOLT AND WASHER AY	700	30	214-62450-08	PACKING	640	210 - 17
002-35060-00	SELF LOCK NUT	400	450	214-62540-08	CHAMBER PACKING	640	210 - 18
002-38060-00	FLANGE NUT	300	570	226-50716-08	SPIRAL SPRING	520	210 - 1
002-38060-00	FLANGE NUT	600	60	226-62506-08	FLOAT	640	210 - 19
003-13050-00	CLIP	300	202	226-62701-18	CLIP	640	210 - 24
003-13050-00	CLIP	400	50	227-62451-08	BOLT	640	210 - 12
004-31062-50	SCREW	400	360	236-62541-08	PACKING	640	210 - 79
010-50603-51	STUD	100	70	237-14202-03	VALVE GUIDE	100	20
010-50802-50	STUD	100	60	237-45004-23	SPRING (ADJUST)	400	365
011-00600-10	FLANGE BOLT	300	361	246-62420-08	PILOT JET	640	210 - 5
011-00600-20	FLANGE BOLT	100	710	248-62410-08	AIR JET	640	210 - 44
011-00600-20	FLANGE BOLT	300	290	269-33701-03	SPRING RETAINER	300	70
011-00600-20	FLANGE BOLT	400	485	277-10101-41	CRANK CASE CP	100	10
011-00600-20	FLANGE BOLT	500	81	277-10102-41	CRANK CASE CP	100	10
011-00600-30	FLANGE BOLT	500	40	277-11002-21	MAIN BEARING COVER C	100	210
011-00600-50	FLANGE BOLT	300	580	277-13001-11	CYLINDER HEAD CP	100	610
011-00601-30	FLANGE BOLT	600	63	277-15001-23	GASKET (HEAD)	100	620
011-00802-40	FLANGE BOLT	100	630	277-15011-03	PIPE KNOCK	100	50
011-00803-10	FLANGE BOLT	100	631	277-15011-03	PIPE KNOCK	100	700
011-00803-20	FLANGE BOLT	300	365	277-15501-01	ROCKER COVER CP	100	680
013-00602-40	BOLT AND WASHER AY	400	60	277-15503-01	ROCKER COVER CP	100	680
013-00602-80	BOLT AND WASHER AY	500	220	277-16001-13	GASKET(ROCKER COVER)	100	690
014-90500-20	ADJUST SCREW	300	230	277-16010-01	STEM SEAL	100	26
014-90500-20	ADJUST SCREW	300	231	277-20901-41	CRANKSHAFT CP	200	10
015-00400-60	TAPPING SCREW	300	387	277-20902-01	CRANKSHAFT CP	200	10
015-00400-90	TAPPING SCREW	700	70	277-22501-10	CONNECTING ROD AY	200	310
015-00400-90	TAPPING SCREW	770	741	277-22502-00	CONNECTING ROD AY	200	311
015-20600-90	TAPPING BOLT	300	360	277-23001-03	CONNECTING ROD BOLT	200	320
017-00500-30	NUT	300	240	277-23301-03	PISTON PIN	200	350
017-00500-30	NUT	300	241	277-23301-13	PISTON PIN	200	350
018-01400-20	FLANGE NUT	200	50	277-23401-H3	PISTON	200	360
018-60600-20	NUT	400	70	277-23401-J3	PISTON	200	360
020-00601-70	WASHER	400	350	277-23403-H3	PISTON	200	361
021-11400-20	GASKET	100	90	277-23403-J3	PISTON	200	361
021-31600-20	GASKET	100	280	277-23404-H3	PISTON	200	362
021-70600-70	FRICTION WASHER	400	355	277-23404-J3	PISTON	200	362
024-00600-10	O RING	300	27	277-23511-37	PISTON RING SET	200	370
032-30300-10	WOODRUFF KEY	200	70	277-23512-17	PISTON RING SET	200	371
040-11400-30	PLUG	100	80	277-23513-17	PISTON RING SET	200	372
043-04400-50	FUEL TANK CAP CP	600	30	277-30101-21	MUFFLER CP	300	310
044-00600-20	OIL SEAL	100	75	277-30101-H1	MUFFLER CP	300	310
044-02502-00	OIL SEAL	100	30	277-31601-11	CAM SHAFT CP	300	10
044-02502-10	OIL SEAL	100	220	277-31601-31	CAM SHAFT CP	300	10
050-51200-20	UNION	600	48	277-32601-18	BASE CP	315	510 -200
056-51600-10	CLIP	200	380	277-32602-08	COVER CP	315	510 -250
056-90000-20	PURSE LOCK	770	780	277-32603-08	ELEMENT	315	520
060-02501-40	BALL BEARING	100	230	277-32604-08	PACKING	315	510 -220
060-02800-21	BALL BEARING	100	40	277-32609-08	LABEL	315	510 -260
064-13600-10	FUEL FILTER	600	40	277-32611-10	AIR CLEANER AY	315	510
064-20064-10	PACKING EY1520	640	210 -302	277-32760-08	BREATHER PIPE	300	850
064-20078-10	CUP	640	210 -303	277-32902-H1	INSULATOR CP	300	540
065-01401-50	SPARK PLUG	700	100	277-32902-J1	INSULATOR CP	300	540
065-50002-70	SPARK PLUG CAP	700	110	277-33401-13	INTAKE VALVE	300	80
073-20051-81	LABEL(WARNING)	600	20	277-33401-H3	INTAKE VALVE	300	80
073-20054-70	LABEL(TRADE MARK)	500	20	277-33501-13	EXHAUST VALVE	300	90
106-62410-08	AIR JET(PILOT)	640	210 - 45	277-33501-H3	EXHAUST VALVE	300	90

PART NUMBER INDEX LIST(FIG.No.100 - 900)

PART NUMBER	PART NAME	FIG.	REF.	PART NUMBER	PART NAME	FIG.	REF.
277-34201-11	MUFFLER COVER CP	300	320	277-62605-J1	FUEL PIPE CP	600	70
277-35002-01	PIN(ROCKER) CP	300	200	277-62605-K1	FUEL PIPE CP	600	70
277-35101-03	PIN(CAM SHAFT)	300	25	277-63601-13	OIL GAUGE	100	270
277-35201-13	GASKET(MUFFLER)	300	340	277-73101-H1	WIRE 1 CP	700	50
277-35601-11	TIMING CHAIN CP	300	150	277-76301-21	OIL SENSOR CP	770	700
277-35902-H3	GASKET1(INSULATOR)	300	560	277-79230-11	FLYWHEEL CP	700	10
277-35902-J3	GASKET1(INSULATOR)	300	560	277-79431-01	IGNITION COIL CP	700	11
277-35903-H3	GASKET2(INSULATOR)	300	550	277-90301-H0	ACCESSORY TOOL KIT	900	10
277-35903-J3	GASKET2(INSULATOR)	300	550	277-95111-03	LABEL(MODEL)	600	23
277-36201-00	ROCKER ARM(IN) AY	300	220	277-99001-27	GASKET SET	100	960
277-36202-00	ROCKER ARM(EX) AY	300	225	279-33601-03	VALVE SPRING	300	60
277-36401-03	RELEASE LEVER	300	35	281-50300-08	STARTER KNOB	520	210 - 4
277-36501-03	CLIP	300	37	281-50325-08	RATCHET	520	210 - 5
277-36902-03	PIN(TENTIONER)	300	166	281-50330-08	FRICTION SPRING	520	210 - 6
277-36911-03	TENTIONER	300	160	281-50340-08	FRICTION PLATE	520	210 - 8
277-36913-13	CHAIN GUIDE	300	170	281-50351-08	CENTER SCREW	520	210 - 49
277-37101-03	SPRING(TENTIONER)	300	163	980-20082-80	FLANGE NUT	300	350
277-37203-H1	SCREEN CP	300	385	KU3-11071-01	FLOAT C/U CP5	770	705
277-38601-03	PIN(SPRING)	300	34	X56-11100-20	HOSE CLAMP	600	90
277-38702-03	RETURN SPRING	300	38	X64-13600-10	FUEL FILTER	600	40
277-41901-03	GOVERNOR SLEEVE	100	260	X66-00003-61	SWITCH AY	700	60
277-42201-33	GOVERNOR SHAFT	400	20	X85-10612-40	RUBBER PIPE	600	80
277-42301-23	GOVERNOR LEVER	400	10				
277-42510-03	GOVERNOR SPRING	400	80				
277-42510-13	GOVERNOR SPRING	400	80				
277-42701-01	GOVERNOR ROD CP	400	30				
277-42701-11	GOVERNOR ROD CP	400	30				
277-42801-13	ROD SPRING	400	40				
277-42801-23	ROD SPRING	400	40				
277-43303-03	SPEED CONTROL LEVER	400	310				
277-43502-03	STOP PLATE	400	340				
277-43801-01	CHOKE LEVER CP	600	224				
277-44501-03	WASHER	400	350				
277-45004-H1	GOVERNOR GEAR CP	100	250				
277-45004-J1	GOVERNOR GEAR CP	100	250				
277-46002-02	SPEED CONT.BRKT UN	400	435				
277-50110-08	STARTER ROPE	520	210 - 3				
277-50121-08	REEL	520	210 - 2				
277-50145-08	STARTER PULLEY	520	210 - 11				
277-50301-00	RECOIL STARTER AY	520	210				
277-51201-11	BLOWER HOUSING CP	500	10				
277-52702-03	BAFFLE 2(HEAD)	500	61				
277-52711-11	BAFFLE 1(CASE) CP	500	60				
277-52711-21	BAFFLE 1(CASE) CP	500	60				
277-60101-11	FUEL TANK CP	600	10				
277-62100-18	CUP	640	210 -303				
277-62110-18	PACKING	640	210 -302				
277-62301-10	CARBURETOR AY	640	210				
277-62301-30	CARBURETOR AY	640	210				
277-62360-08	BOLT	640	210 - 28				
277-62402-08	MAIN JET	640	210 - 22				
277-62440-08	MAIN NOZZLE	640	210 - 20				
277-62500-08	NEEDLE	640	210 - 14				
277-62506-08	FLOAT BODY AY	640	210 - 16				
277-62515-08	PIN	640	210 - 15				
277-62520-08	CHOKE LEVER	640	210 - 8				
277-62525-08	CHOKE VALVE	640	210 - 3				
277-62530-18	THROTTLE SHAFT-A	640	210 - 11				
277-62535-08	THROTTLE VALVE	640	210 - 1				

PART NUMBER INDEX LIST(FIG.No.4200)

PART NUMBER	PART NAME	FIG. REF.	PART NUMBER	PART NAME	FIG. REF.
480-05310-02	HEX BOLT	4200 180			
480-05310-03	HEX BOLT	4200 280			
480-05310-05	RUBBER CUSHION	4200 670			
480-05310-06	RUBBER CUSHION	4200 671			
480-05310-07	WASHER	4200 735			
480-05310-08	NEEDLE BEARING	4200 730			
480-05310-09	GREASE NIPPLE	4200 743			
480-05310-10	THRUST WASHER	4200 738			
480-05310-11	HEX BOLT	4200 740			
480-05310-12	HEX BOLT	4200 314			
480-05310-29	WASHER	4200 287			
480-05310-32	WING SCREW	4200 757			
480-05310-33	SPRING WASHER	4200 758			
480-05310-34	COVER	4200 755			
480-05310-36	SPRING WASHER	4200 742			
480-05310-36	SPRING WASHER	4200 754			
480-05310-38	WASHER	4200 765			
480-05310-39	PACKING	4200 760			
480-05310-40	KEY, CRANK SHAFT	4200 770			
480-05310-41	SCREW	4200 763			
480-05310-42	GEAR UNIT	4200 750			
480-08010-14	BOLT & WASHER AY	4200 725			
480-08010-16	COUPLING, HANDLE	4200 350			
480-08010-17	PACKING, COUPLING	4200 330			
480-08010-28	HOSE BAND	4200 520			
480-08210-12	PLUG	4200 360			
480-08210-18	O RING	4200 362			
480-08210-22	HOSE COUPLING	4200 340			
480-08310-01	PUMP BODY, UPPER	4200 210			
480-08310-14	ROD	4200 715			
480-08310-15	DIAPHRAGM	4200 710			
480-08310-16	CAP, DIAPHRAGM	4200 720			
480-08310-17	PUMP BODY, LOWER	4200 110			
480-08310-20	SUCTION CHAMBER	4200 370			
480-08310-21	O RING	4200 374			
480-08310-23	SUCTION FLANGE	4200 310			
480-08310-24	VALVE	4200 320			
480-08310-26	DELIVERY FLANGE	4200 410			
480-08310-30	NIPPLE	4200 341			
480-08310-33	STRAINER	4200 510			
480-10010-24	NUT & WASHER AY	4200 690			
481-00001-84	FRAME	4200 610			
484-00011-03	LABEL, PUMP NAME	4200 910			
484-00020-03	LABEL, PUMP NAME	4200 910			

FUJI HEAVY INDUSTRIES LTD.
INDUSTRIAL PRODUCTS COMPANY

4-410 Asahi, Kitamoto-shi,
Saitama, 364-8511, Japan

Phone +81(48) 593-7896

Fax +81(48) 593-7965

Web site <http://www.fhi.co.jp/robin/>