



# PARTS CATALOG

# **Robin**

## **Pump**

Model

# ***PTX201D***

Spec. No. PTX201D0000  
(EX130D50150)  
PTX201D0010  
(EX130D50200)

**FUJI HEAVY INDUSTRIES LTD.**  
**INDUSTRIAL PRODUCTS COMPANY**

ISSUE EMD - PP6250  
ISSUE DATE 2005.9

# HOW TO USE THIS PARTS CATALOG

REF. NO.	PART NUMBER		PART NAME		CODE NO.	QTY	REMARKS	INTERCHANGABLE PART NUMBER	FIG. NO.
				SPEC. NO.	FROM - TO				
10	276-60101-01		FUEL TANK CP		-	1	2.7L ROBIN YELLOW	276-60101-11	600
20	073-20044-50		LABEL(CAUTION)		-	1	38X70 ILLUSTR		600
		073-20051-81		EX130D10120	-	1	42X104 ENGLISH		600
30	043-04300-15		FUEL TANK CAP		-	1			600
40	X64-13600-10		FUEL FILTER		6331 -	1	36DX46DX43H		600
		064-13600-10		FUEL FILTER	- 6330	1	36DX46DX43H		600
50	064-20064-00		FUEL STRAINER		-	1			630
- 1	064-20064-20		FILTER		-	1			630
- 2	064-20064-10		PACKING		-	1			630
- 3	064-20042-10		CUP		-	1			630

**SECTION NAME** .....Parts are broadly classified according to their functions.

Refer to section indexes(contents)for respective section name.

**FIG.No.** .....It indicates illustration number. FIG.No. with the same figure in the third of hundreds shows that it is in a group of the same section. FIG.No. illustrating the target part can be read in the right-end section of the list.

**REF.No.**.....It is a number to compare the part illustrated with the part number in the list.Serch for REF.No. in the list in the corresponding REF.No. in the illustration to determine the part number.

Section shows a 'SUB-ASSEMBLY PART' of section which is indicated by the number led by '-' such as '-1','-2'.

**PART NUMBER**.....It is the number assigned for sales unit.

Use the PART No. when marking an order.

PART No. employed in the representative SPEC. No. has been entered at the head of each REF. No. being shifted to the left.

However, the parts with marking of " \* \* \* \* \* " show that they are not used in the representative SPEC. No..

PART No. entered to the right side as in (5A) are the parts employed in a SPEC. No. other than the representative SPEC. No., and each SPEC. No. using these parts are listed in the section on the right as in in ascending order. If no entry of SPEC. No. contains, it is the same PART No. as the representative SPEC. No. (STD) or the part which has not been employed in the SPEC. No. concerned.

**PART NAME**.....It is designation of the part. The SPEC. No. corresponding to the PART No. are listed below the part name. PART NAME of PART No. is indicated on the same line as each REF. No..

**SPEC.No.** .....This helps identify specifications of the product. This manual has been edited based on RAS17031000 • EH092DN8510 as representative SPEC. No.. For the SPEC. No other than the representative SPEC. No., it has been edited so that parts different from the representative SPEC. No. are to be listed.

**CODE No.**.....It indicates history of progress in which improved parts have been introduced into the product concerned.The CODE No. helps identify PART No. being employed in the product concerned.

-
4415 -
- 4414

The part has been employed in the product irrespective of CODE No.

The part is employed in the products with CODE No. of 4415 and after this number.

The part is employed in the products with CODE No. of 4414 and before this number.

**Q'ty**.....Quantity of part being employed for each product. (If quantity of the same PART No.employed varies according to SPEC. No., the maximum quantity is indicated.)

**REMARKS**.....This gives a distinctive feature and/or a supplementary comment for the type,the specification,and the part concerned.

**INTERCHANGEABLE**...It shows part number(s) interchangeable for the part given in the section **PART NUMBER** (5A). Please note that parts with interchangeable PART No. may be delivered for your order.

## Table of abbreviations/略語一覧

ABBREVIATIONS/略語	DESCRIPTION	説明
A	AMPERE	アンペア
AC	AIR CLEANER	エアクリーナ
AY	ASSEMBLY	アッセンブリ
B	BREADTH	幅
BB	BALL BEARING	ボールベアリング
CD	CENTER DISTANCE	中心間距離
CP	COMPLETE	コンプリート
D	DIAMETER	内径、外径、中心径
EX	EXPORT	輸出
EX	EXHAUST	排気
FIG	FIGURE	フィギュア(図解)
FR	FRONT	前側
H	HEIGHT	高さ
HZ	HERTZ	ヘルツ
IN	INCH	インチ
IN	INTAKE	吸入
L	LITER	リットル
L	LENGTH	長さ
LH	LEFT HAND	左側
MG	MAGNETIC	マグネチック
N	NUMBER	数、巻数
N R Y	NEW ROBIN YELLOW	新ロビン色
OS	OIL SENSOR	オイルセンサ
O.S.	OVER SIZE	オーバーサイズ
P	PITCH	ピッチ
PD	PITCH DIAMETER	中心径
PTO	POWER TAKE OFF	動力取出し
REF	REFERENCE	レファレンス(照合)
RH	RIGHT HAND	右側
RR	REAR	後側
ST	STARTER	スタータ
STD	STANDARD	標準
SW	SPRING WASHER	スプリングワッシャ
SW	SWITCH	スイッチ
T	THICKNESS	厚さ
TH	THROTTLE	スロットル
UN	UNIT	ユニット
U.S.	UNDER SIZE	アンダーサイズ
V	VOLTAGE	ボルト
W	WASHER	ワッシャ
W	WATT	ワット
W	WIDTH	幅
W/	WITH	付き
W/O	WITHOUT	無し

# CONTENTS

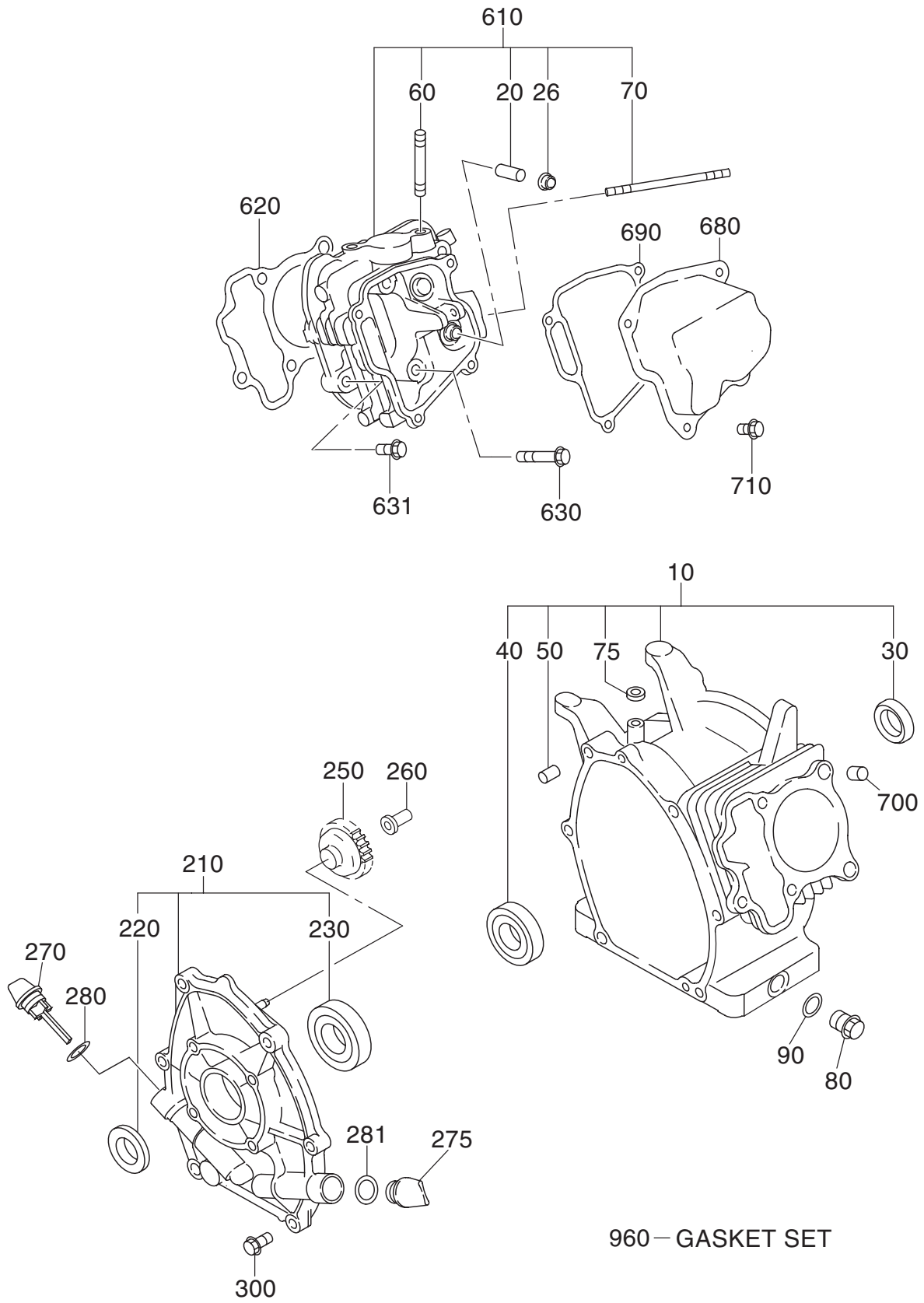
## ENGINE PARTS

		FIG.
1	CRANKCASE	100
2	CRANKSHAFT, PISTON	200
3	INTAKE, EXHAUST	300,315
4	GOVERNOR, OPERATION	400
5	COOLING, STARTING	500,520
6	FUEL LUBRICANT	600,640
7	ELECTRIC DEVICE	700,770
9	ACCESSORIES	900

## PUMP PARTS

42	PUMP	4200
----	------	------

FIG. 100



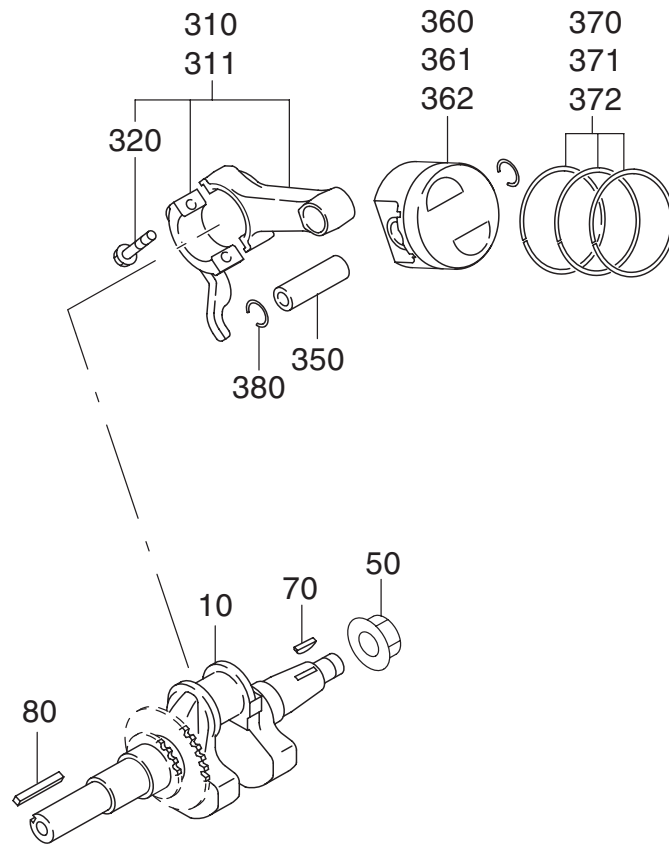
# 1 CRANK CASE

REF. NO.	PART NUMBER		PART NAME		CODE No. FROM - TO	QTY	REMARKS	INTERCHANGEABLE PART NUMBER	FIG. NO.
		PART NUMBER		SPEC.No.					
10	276-10101-41		CRANK CASE CP		-	1			100
		276-10102-41	EX130D50200		-	1	W/OIL SENSOR		100
20	237-14202-03		VALVE GUIDE		-	2	5.5DX9.5DX27L		100
26	277-16010-01		STEM SEAL		-	1	5.5DX9.5DX15DX7.8B		100
30	044-02502-00		OIL SEAL		-	1	25DX38DX7B		100
40	060-02800-21		BALL BEARING		-	1	28DX58DX16B		100
50	277-15011-03		PIPE KNOCK		-	2	10.3DX8.5DX14L		100
60	010-50802-50		STUD		-	2	M8X1.25X25L		100
70	010-50603-51		STUD		-	2	M6X1.0X98L		100
75	044-00600-20		OIL SEAL		-	1	6DX10DX2.5B		100
80	040-11400-30		PLUG		-	2	M14X1.5X20DX12L		100
90	021-11400-20		GASKET		-	2	14.1DX19DX2.3T		100
210	277-11002-21		MAIN BEARING COVER C		-	1	FLANGE 4-5/16-24UNF		100
220	044-02502-10		OIL SEAL		-	1	25DX41.25DX6B		100
230	060-02501-40		BALL BEARING		-	1	25DX52DX15B		100
250	277-45004-J1		GOVERNOR GEAR CP	6788-		1	53DX29.1T N=33		100
	277-45004-H1		GOVERNOR GEAR CP	-6787		1	53DX29.1T N=33	277-45004-J1	100
260	277-41901-03		GOVERNOR SLEEVE	-		1	6DX7.6DX16DX26L		100
270	277-63601-13		OIL GAUGE	6210-		2	M18X1.5 L=70+18		100
	277-63601-13		OIL GAUGE	-6209		1			100
275	277-65001-03		FILLER PLUG	-6209		1			100
280	021-31600-20		GASKET	6210-		2	16DX23DX1.2T RUBBER		100
	021-31600-20		GASKET	-6209		1			100
281	021-31600-20		GASKET	-6209		1			100
300	001-04083-50		FLANGE BOLT	-		6			100
610	276-13001-11		CYLINDER HEAD CP	-		1			100
620	276-15001-33		GASKET (HEAD)	6270-		1	T=0.2		100
	276-15001-23		GASKET (HEAD)	-6269		1	T=0.2	276-15001-33	100
630	011-00802-40		FLANGE BOLT	-		4	M8X1.25X16DX68L		100
631	011-00803-10		FLANGE BOLT	-		1	M8X1.25X16DX33L		100
680	277-15503-01		ROCKER COVER CP	6666-		1			100
	277-15501-01		ROCKER COVER CP	-6665		1		277-15503-01	100
690	277-16001-13		GASKET (ROCKER COVER)	6210-		1	T=0.5		100
	277-16001-03		GASKET (ROCKER COVER)	-6209		1	T=0.7	277-16001-13	100
700	277-15011-03		PIPE KNOCK	-		2	10.3DX8.5DX14L		100
710	011-00600-20		FLANGE BOLT	-		4	M6X1.0X14DX12L		100
960	276-99001-27		GASKET SET	-		1	GASKET SET:DETAILS ARE ON NEXT PAGE		100



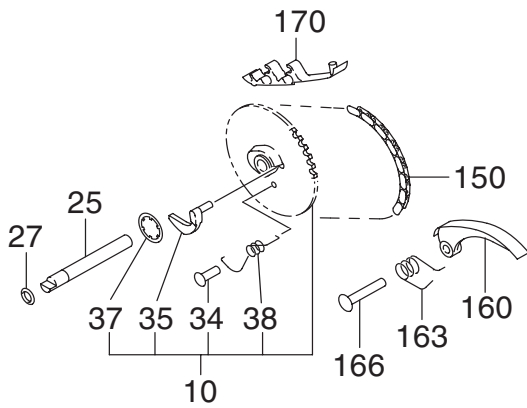
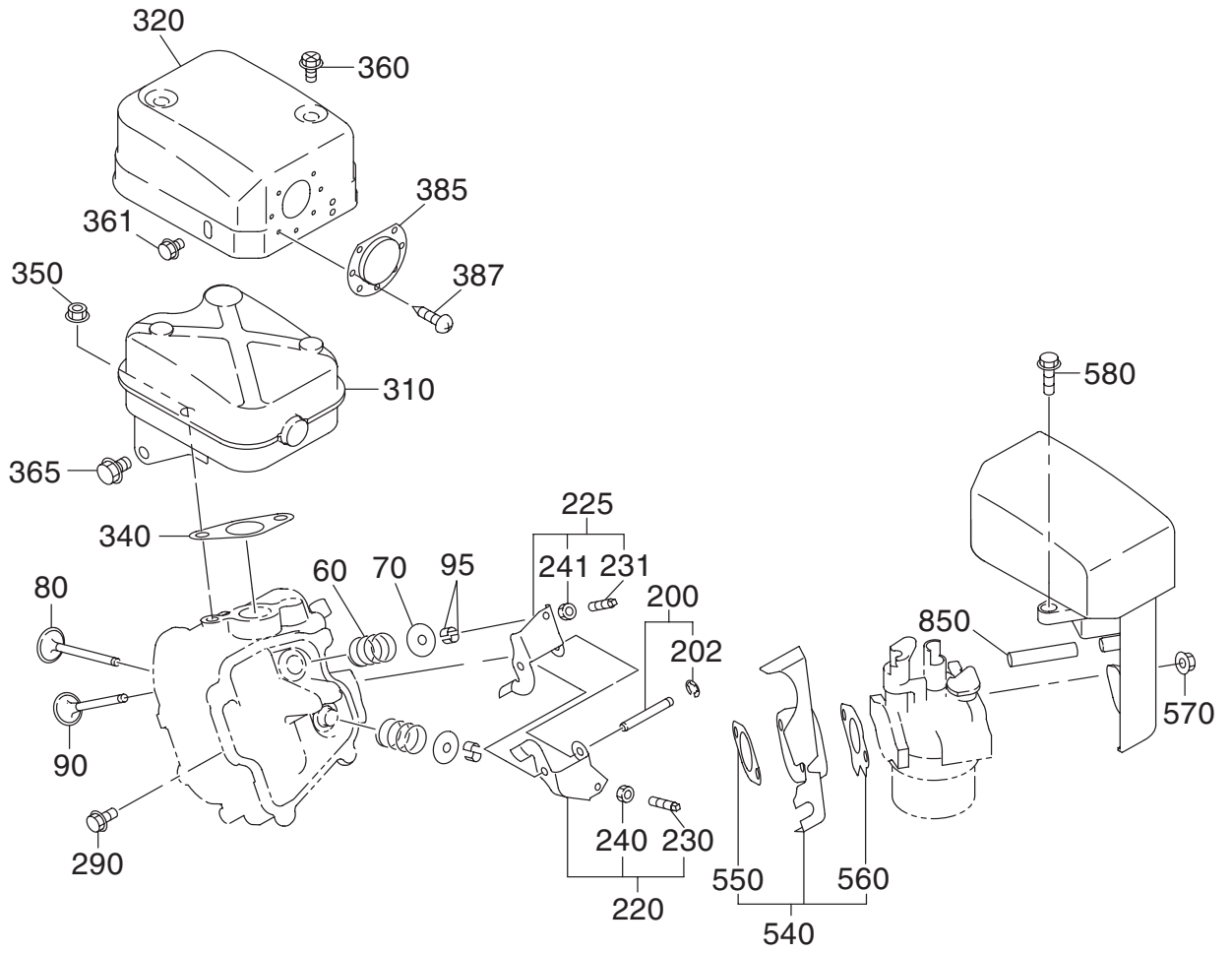


FIG. 200

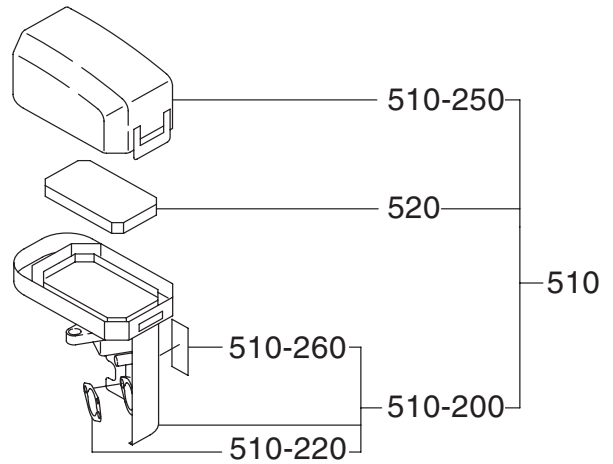




**FIG. 300**



**FIG. 315**



### 3 INTAKE EXHAUST

REF. NO.	PART NUMBER		PART NAME		CODE No. FROM - TO	QTY	REMARKS	INTERCHANGEABLE PART NUMBER	FIG. NO.
		PART NUMBER		SPEC.No.					
10	277-31601-31		CAM SHAFT CP		6545-	1	85DX2.9B N=40		300
	277-31601-11		CAM SHAFT CP		-6544	1	85DX2.9B N=40	277-31601-31	300
25	277-35101-03		PIN(CAM SHAFT)		-	1	9DX78.5L		300
27	024-00600-10		O RING		-	1	5.8DX9.6D		300
34	277-38601-03		PIN(SPRING)		-	1	4DX8DX9L		300
35	277-36401-03		RELEASE LEVER		-	1			300
37	277-36501-03		CLIP		-	1	13.8DX20.3DX0.4T		300
38	277-38702-03		RETURN SPRING		-	1	5.1DX0.6DX4.4L N=7		300
60	279-33601-03		VALVE SPRING		-	2	19.2DX2.3DX27.4L		300
70	269-33701-03		SPRING RETAINER		-	2			300
80	276-33401-H3		INTAKE VALVE		6484-	1	22DX5.5DX68L		300
	276-33401-33		INTAKE VALVE		-6483	1	22DX5.5DX68L	276-33401-H3	300
90	276-33501-H3		EXHAUST VALVE		6484-	1	18.5DX5.5DX68L		300
	276-33501-33		EXHAUST VALVE		-6483	1	18.5DX5.5DX68L	276-33501-H3	300
95	132-10KA0-31		COLLET-VALVE		-	4			300
150	276-35601-11		TIMING CHAIN CP		-	1	86 LINK		300
160	277-36911-03		TENTIONER		-	1			300
163	277-37101-03		SPRING(TENTIONER)		-	1	10DX1.8DX14L N=4.5		300
166	277-36902-03		PIN(TENTIONER)		-	1	6DX13DX34L		300
170	277-36913-13		CHAIN GUIDE		-	1			300
200	277-35002-01		PIN(ROCKER) CP		-	1	6DX46L		300
202	003-13050-00		CLIP		-	1			300
220	277-36201-00		ROCKER ARM(IN) AY		-	1			300
225	277-36202-00		ROCKER ARM(EX) AY		-	1			300
230	014-90500-20		ADJUST SCREW		-	1	M5X0.5X23L		300
231	014-90500-20		ADJUST SCREW		-	1			300
240	017-00500-30		NUT		-	1	M5X0.5X4.1H		300
241	017-00500-30		NUT		-	1			300
290	011-00600-20		FLANGE BOLT		-	1	M6X1.0X14DX12L		300
310	276-30101-H1		MUFFLER CP		6484-	1			300
	276-30101-21		MUFFLER CP		-6483	1		276-30101-H1	300
320	276-34201-01		MUFFLER COVER CP		-	1			300
340	277-35201-13		GASKET(MUFFLER)		-	1	T=0.2 26D 9DX58P		300
350	980-20082-80		FLANGE NUT		-	2			300
360	015-20600-90		TAPPING BOLT		-	2	M6X13DX10L		300
361	011-00600-10		FLANGE BOLT		-	1	M6X1.0X14DX8L		300
365	011-00803-20		FLANGE BOLT		6210-	1	M8X1.25X16DX12L		300





FIG. 400

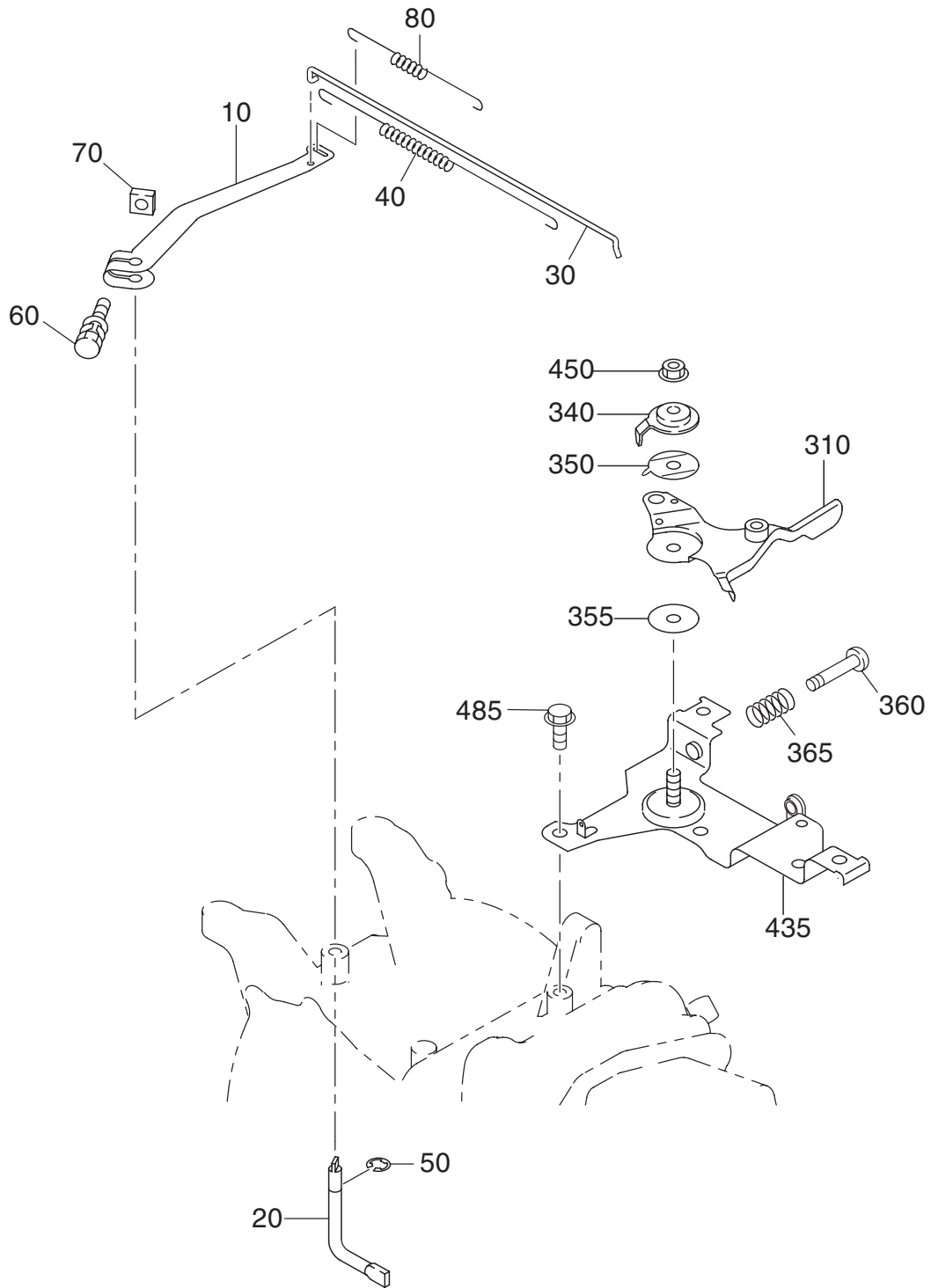






FIG. 500

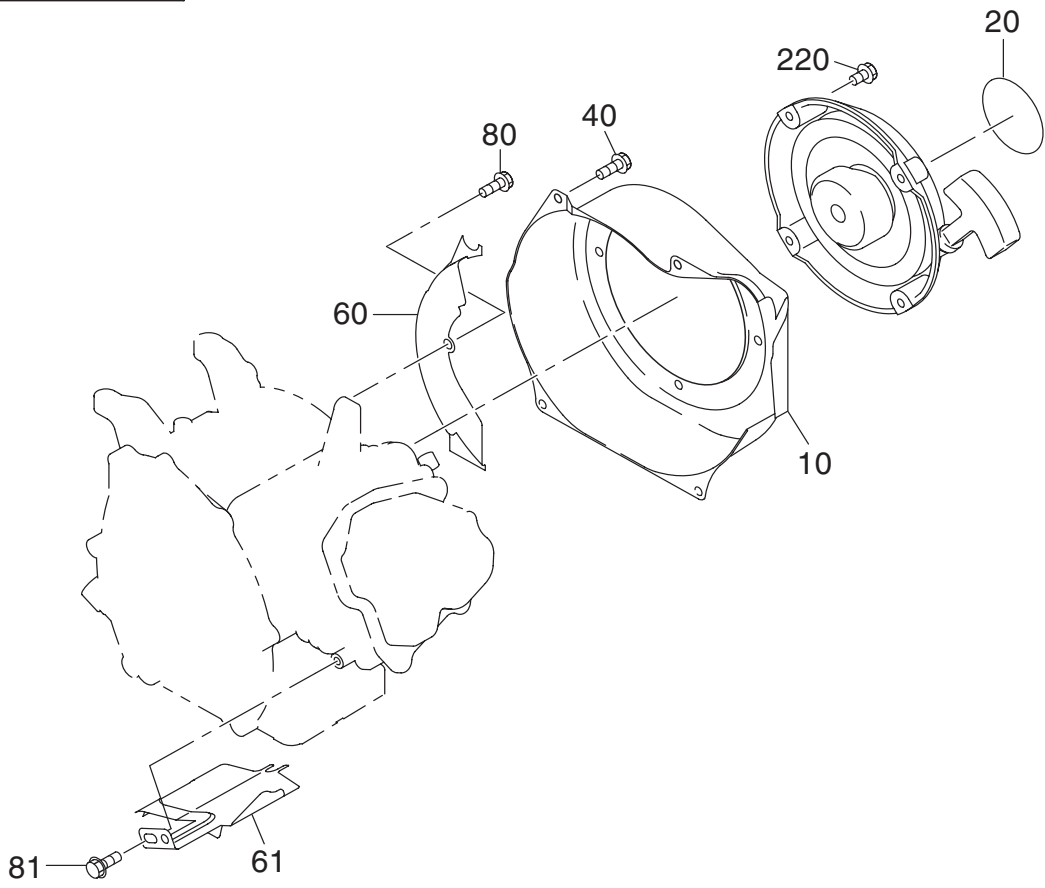


FIG. 520

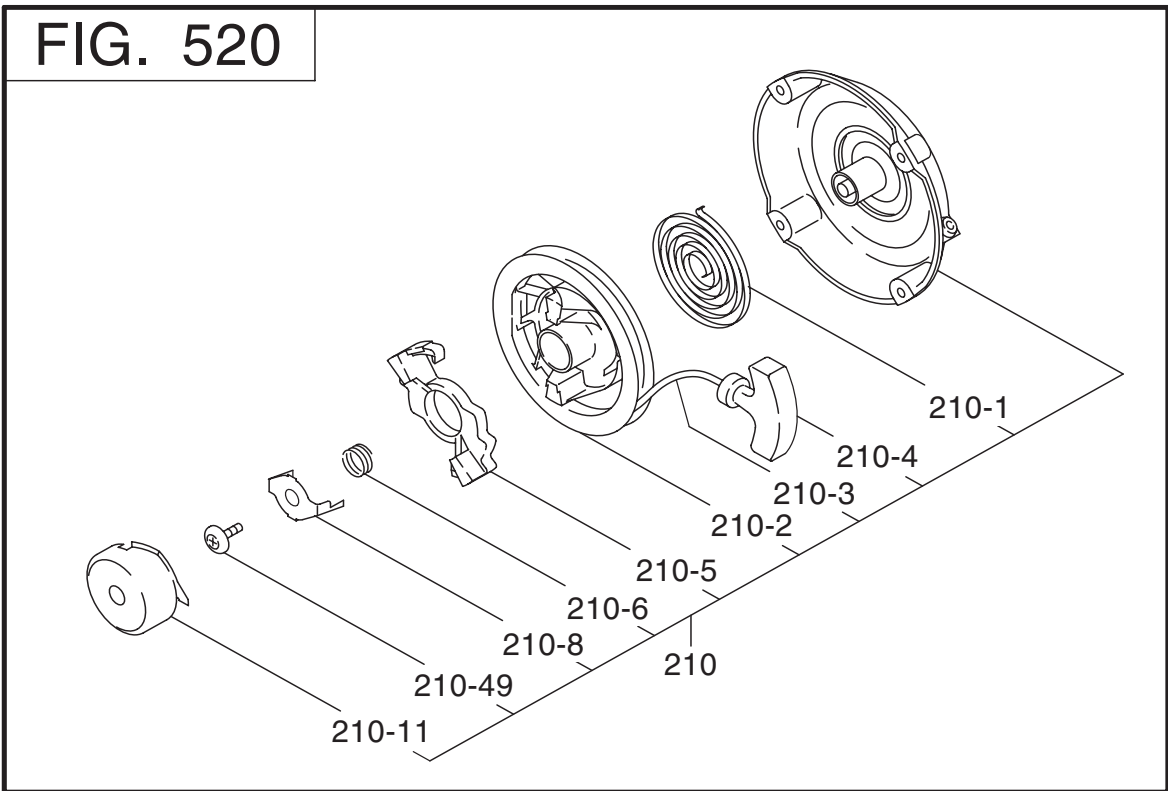






FIG. 600

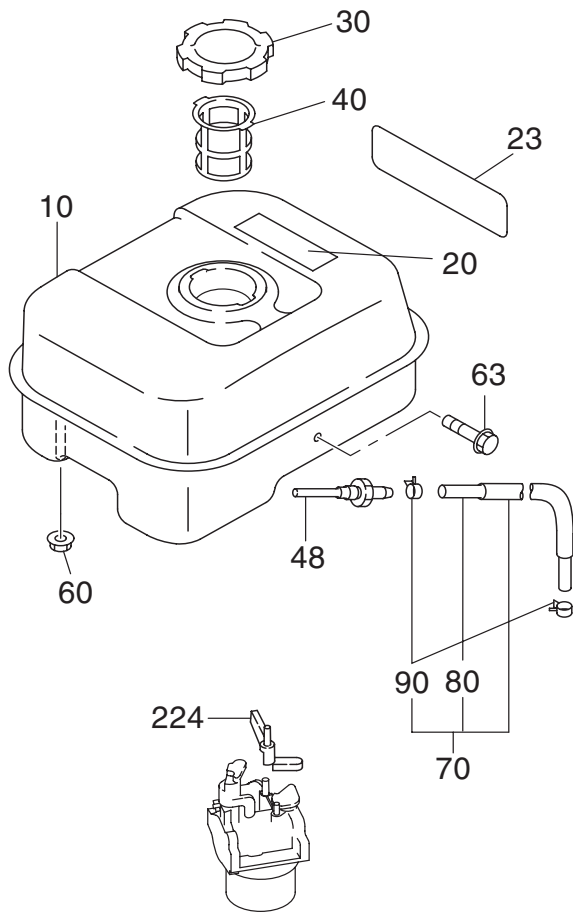


FIG. 640

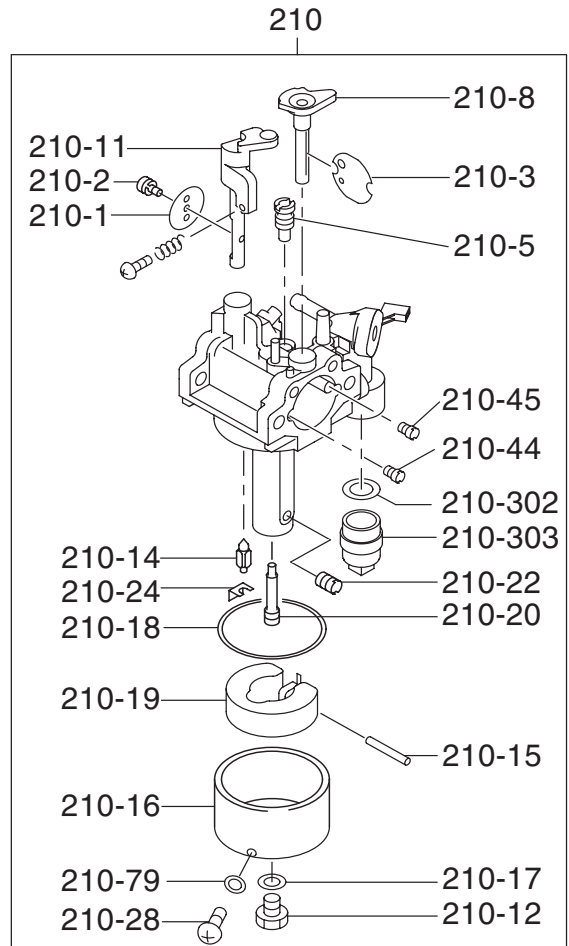






FIG. 700

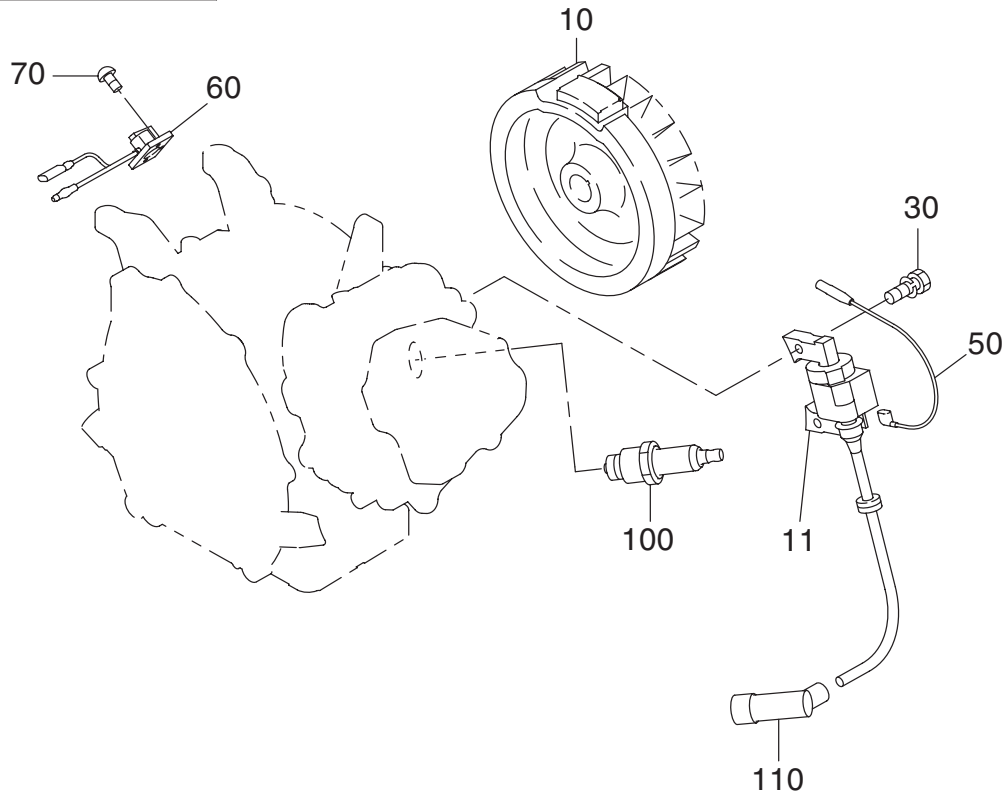


FIG. 770

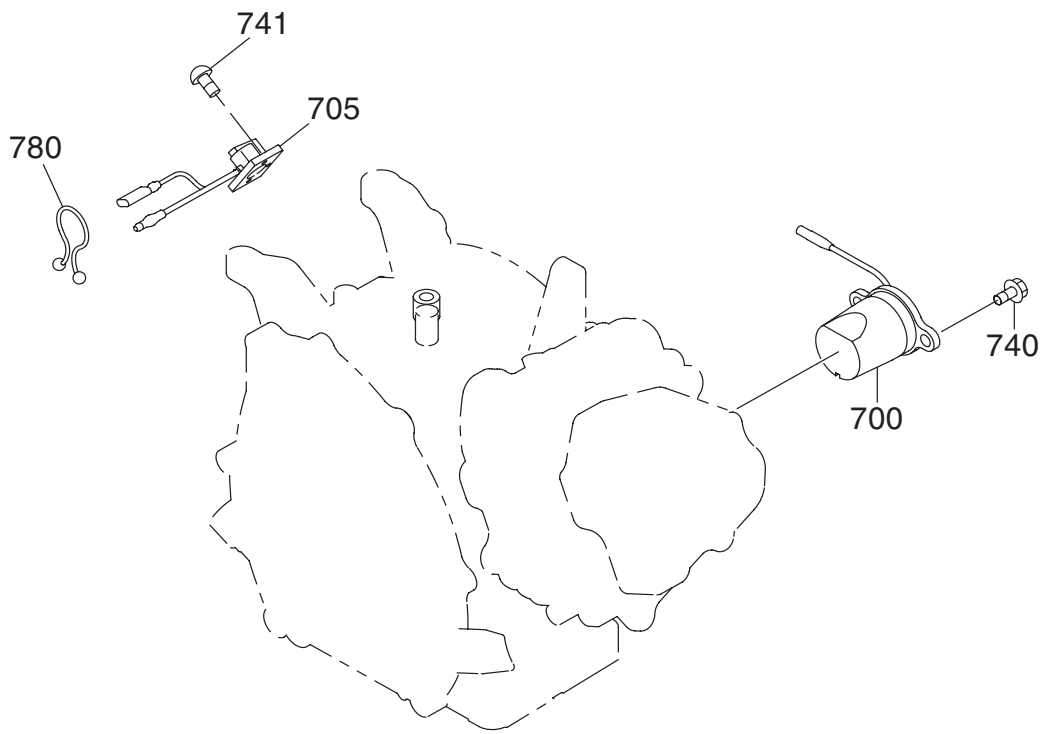








FIG. 900

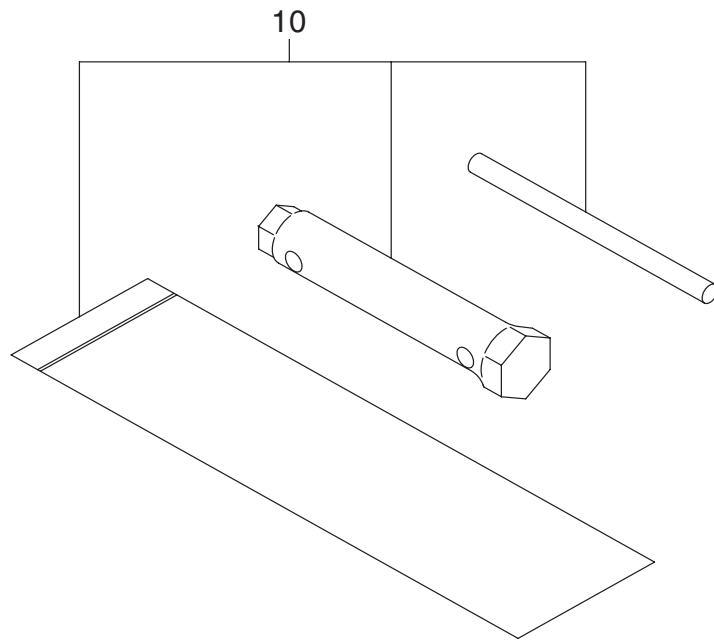
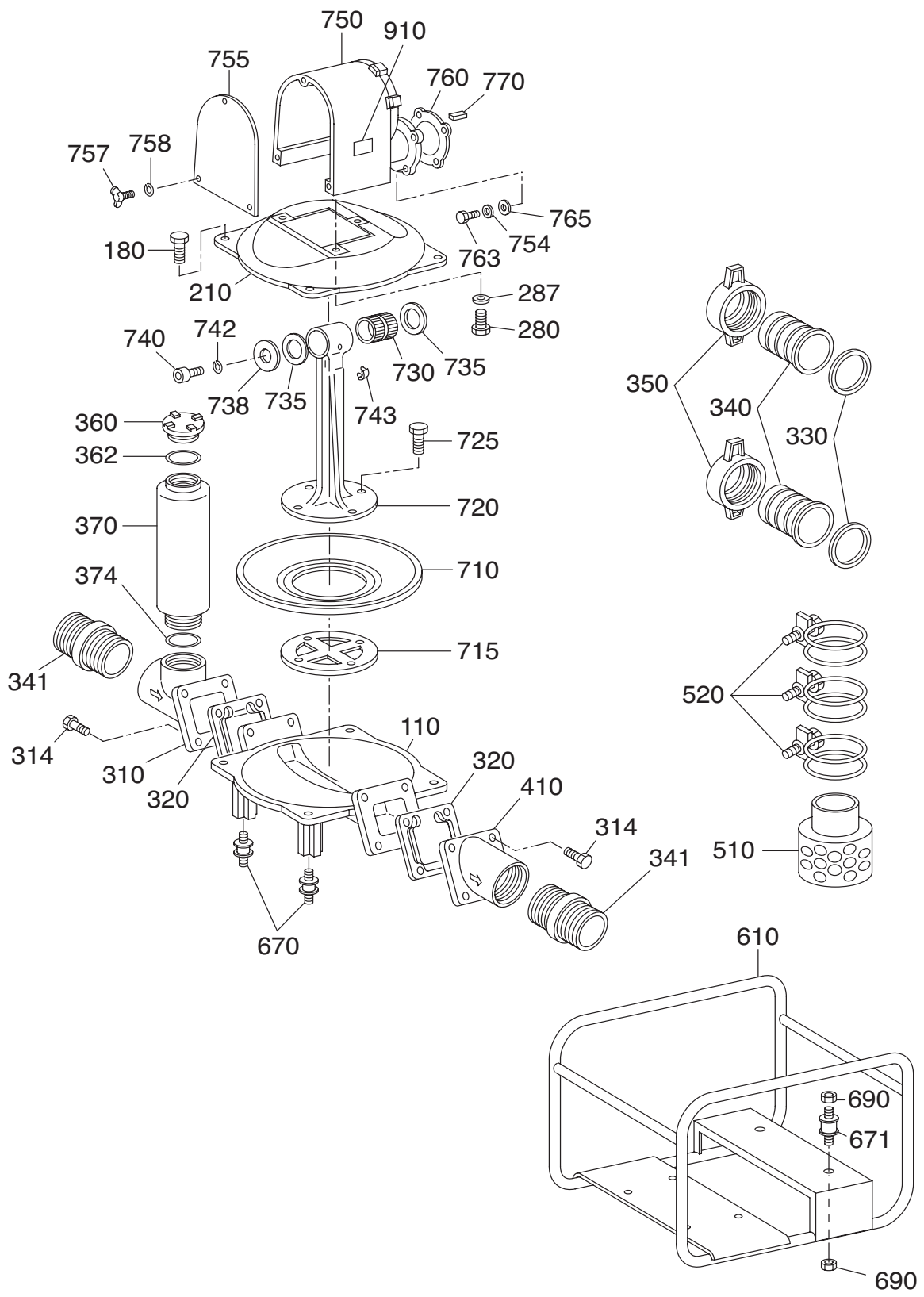




FIG. 4200



## 42 PUMP

REF. NO.	PART NUMBER		PART NAME		CODE No. FROM - TO	QTY	REMARKS	INTERCHANGEABLE PART NUMBER	FIG. NO.
		PART NUMBER		SPEC.No.					
110	480-05310-17		CASING		-	1			4200
180	480-05310-02		HEX BOLT		-	4			4200
210	480-05310-01		CASING COVER		-	1			4200
280	480-05310-03		HEX BOLT		-	3			4200
287	480-05310-29		WASHER		-	3			4200
310	480-05310-23		SUCTION FLANGE		-	1			4200
314	480-05010-14		HEX BOLT		-	8			4200
320	480-05310-24		VALVE		-	2			4200
330	480-05010-17		PACKING, COUPLING		-	2			4200
340	480-05010-18		HOSE COUPLING		-	2			4200
341	480-05310-30		NIPPLE		-	2			4200
350	480-05010-16		COUPLING HANDLE		-	2			4200
360	480-08210-12		PLUG		-	1			4200
362	480-08210-18		O RING		-	1			4200
370	480-05310-20		SUCTION CHAMBER		-	1			4200
374	480-05310-21		O RING		-	1			4200
410	480-05310-26		BEND		-	1			4200
510	480-05310-31		STRAINER		-	1			4200
520	480-05010-28		HOSE BAND		-	3			4200
610	481-00001-83		FRAME		-	1			4200
670	480-05310-05		RUBBER CUSHION		-	4			4200
671	480-05310-06		RUBBER CUSHION		-	2			4200
690	480-10010-24		NUT & WASHER AY		-	8			4200
710	480-05310-15		DIAPHRAGM		-	1			4200
715	480-05310-16		CAP, DIAPHRAGM		-	1			4200
720	480-05310-14		ROD		-	1			4200
725	480-08010-14		BOLT & WASHER AY		-	4			4200
730	480-05310-08		NEEDLE BEARING		-	1			4200
735	480-05310-07		WASHER		-	2			4200
738	480-05310-10		THRUST WASHER		-	1			4200
740	480-05310-11		HEX BOLT		-	1			4200
742	480-05310-36		SPRING WASHER		-	1			4200
743	480-05310-09		GREASE NIPPLE		-	1			4200
750	480-05310-42		GEAR UNIT		-	1			4200
754	480-05310-36		SPRING WASHER		-	4			4200
755	480-05310-34		COVER		-	1			4200
757	480-05310-32		WING SCREW		-	3			4200



PART NUMBER INDEX LIST (FIG.No.100 - 900)

PART NUMBER	PART NAME	FIG.	REF.	PART NUMBER	PART NAME	FIG.	REF.
001-04061-60	FLANGE BOLT	500	80	106-62410-08	AIR JET(PILOT)	640	210 - 45
001-04083-50	FLANGE BOLT	100	300	106-62538-08	THROTTLE VALVE	640	210 - 1
001-14061-60	BOLT AND WASHER AY	770	740	132-10KA0-31	COLLET-VALVE	300	95
001-14062-50	BOLT AND WASHER AY	700	30	206-26001-13	KEY	200	80
002-35060-00	SELF LOCK NUT	400	450	207-62410-08	AIR JET	640	210 - 44
002-38060-00	FLANGE NUT	300	570	209-62351-08	SCREW	640	210 - 2
002-38060-00	FLANGE NUT	600	60	214-62450-08	PACKING	640	210 - 17
003-13050-00	CLIP	300	202	214-62540-08	CHAMBER PACKING	640	210 - 18
003-13050-00	CLIP	400	50	215-25004-03	CLIP	200	380
004-31062-50	SCREW	400	360	226-50716-08	SPIRAL SPRING	520	210 - 1
010-50603-51	STUD	100	70	226-62506-08	FLOAT	640	210 - 19
010-50802-50	STUD	100	60	226-62701-18	CLIP	640	210 - 24
011-00600-10	FLANGE BOLT	300	361	227-62451-08	BOLT	640	210 - 12
011-00600-20	FLANGE BOLT	100	710	236-62541-08	PACKING	640	210 - 79
011-00600-20	FLANGE BOLT	300	290	237-14202-03	VALVE GUIDE	100	20
011-00600-20	FLANGE BOLT	400	485	237-45004-23	SPRING (ADJUST)	400	365
011-00600-20	FLANGE BOLT	500	81	246-62420-08	PILOT JET	640	210 - 5
011-00600-30	FLANGE BOLT	500	40	269-33701-03	SPRING RETAINER	300	70
011-00600-50	FLANGE BOLT	300	580	276-10101-41	CRANK CASE CP	100	10
011-00601-30	FLANGE BOLT	600	63	276-10102-41	CRANK CASE CP	100	10
011-00801-50	FLANGE BOLT	300	365	276-13001-11	CYLINDER HEAD CP	100	610
011-00802-40	FLANGE BOLT	100	630	276-15001-23	GASKET (HEAD)	100	620
011-00803-10	FLANGE BOLT	100	631	276-15001-33	GASKET (HEAD)	100	620
011-00803-20	FLANGE BOLT	300	365	276-20901-41	CRANKSHAFT CP	200	10
013-00602-40	BOLT AND WASHER AY	400	60	276-22501-10	CONNECTING ROD AY	200	310
013-00602-80	BOLT AND WASHER AY	500	220	276-22502-00	CONNECTING ROD AY	200	311
014-90500-20	ADJUST SCREW	300	230	276-23301-03	PISTON PIN	200	350
014-90500-20	ADJUST SCREW	300	231	276-23301-13	PISTON PIN	200	350
015-00400-60	TAPPING SCREW	300	387	276-23401-H3	PISTON	200	360
015-00400-90	TAPPING SCREW	700	70	276-23403-H3	PISTON	200	361
015-00400-90	TAPPING SCREW	770	741	276-23404-H3	PISTON	200	362
015-20600-90	TAPPING BOLT	300	360	276-23511-17	PISTON RING SET	200	370
017-00500-30	NUT	300	240	276-23512-17	PISTON RING SET	200	371
017-00500-30	NUT	300	241	276-23513-17	PISTON RING SET	200	372
018-01400-20	FLANGE NUT	200	50	276-30101-21	MUFFLER CP	300	310
018-60600-20	NUT	400	70	276-30101-H1	MUFFLER CP	300	310
020-00601-70	WASHER	400	350	276-33401-33	INTAKE VALVE	300	80
021-11400-20	GASKET	100	90	276-33401-H3	INTAKE VALVE	300	80
021-31600-20	GASKET	100	280	276-33501-33	EXHAUST VALVE	300	90
021-31600-20	GASKET	100	281	276-33501-H3	EXHAUST VALVE	300	90
021-70600-70	FRICTION WASHER	400	355	276-34201-01	MUFFLER COVER CP	300	320
024-00600-10	O RING	300	27	276-35601-11	TIMING CHAIN CP	300	150
032-30300-10	WOODRUFF KEY	200	70	276-50145-08	STARTER PULLEY	520	210 - 11
040-11400-30	PLUG	100	80	276-50301-00	RECOIL STARTER AY	520	210
043-04400-50	FUEL TANK CAP CP	600	30	276-51201-11	BLOWER HOUSING CP	500	10
044-00600-20	OIL SEAL	100	75	276-60101-11	FUEL TANK CP	600	10
044-02502-00	OIL SEAL	100	30	276-62301-10	CARBURETOR AY	640	210
044-02502-10	OIL SEAL	100	220	276-62301-30	CARBURETOR AY	640	210
050-51200-20	UNION	600	48	276-62440-08	MAIN NOZZLE	640	210 - 20
056-90000-20	PURSE LOCK	770	780	276-62530-18	THROTTLE SHAFT-A	640	210 - 11
060-02501-40	BALL BEARING	100	230	276-62605-J1	FUEL PIPE CP	600	70
060-02800-21	BALL BEARING	100	40	276-62605-K1	FUEL PIPE CP	600	70
064-13600-10	FUEL FILTER	600	40	276-79230-11	FLYWHEEL CP	700	10
064-20064-10	PACKING EY1520	640	210 -302	276-95111-03	LABEL(MODEL)	600	23
064-20078-10	CUP	640	210 -303	276-99001-27	GASKET SET	100	960
065-01401-50	SPARK PLUG	700	100	277-11002-21	MAIN BEARING COVER C	100	210
065-50002-70	SPARK PLUG CAP	700	110	277-15011-03	PIPE KNOCK	100	50
073-20051-81	LABEL(WARNING)	600	20	277-15011-03	PIPE KNOCK	100	700
073-20054-70	LABEL(TRADE MARK)	500	20	277-15501-01	ROCKER COVER CP	100	680

PART NUMBER INDEX LIST (FIG.No.100 - 900)

PART NUMBER	PART NAME	FIG.	REF.	PART NUMBER	PART NAME	FIG.	REF.
277-15503-01	ROCKER COVER CP	100	680	277-62500-08	NEEDLE	640	210 - 14
277-16001-03	GASKET(ROCKER COVER)	100	690	277-62506-08	FLOAT BODY AY	640	210 - 16
277-16001-13	GASKET(ROCKER COVER)	100	690	277-62515-08	PIN	640	210 - 15
277-16010-01	STEM SEAL	100	26	277-62520-08	CHOKE LEVER	640	210 - 8
277-23001-03	CONNECTING ROD BOLT	200	320	277-62525-08	CHOKE VALVE	640	210 - 3
277-31601-11	CAM SHAFT CP	300	10	277-63601-13	OIL GAUGE	100	270
277-31601-31	CAM SHAFT CP	300	10	277-65001-03	FILLER PLUG	100	275
277-32601-18	BASE CP	315	510 -200	277-73101-H1	WIRE 1 CP	700	50
277-32602-08	COVER CP	315	510 -250	277-76301-21	OIL SENSOR CP	770	700
277-32603-08	ELEMENT	315	520	277-79431-01	IGNITION COIL CP	700	11
277-32604-08	PACKING	315	510 -220	277-90301-H0	ACCESSORY TOOL KIT	900	10
277-32609-08	LABEL	315	510 -260	279-33601-03	VALVE SPRING	300	60
277-32611-10	AIR CLEANER AY	315	510	279-42701-01	GOVERNOR ROD CP	400	30
277-32760-08	BREATHER PIPE	300	850	279-42701-11	GOVERNOR ROD CP	400	30
277-32902-H1	INSULATOR CP	300	540	281-50300-08	STARTER KNOB	520	210 - 4
277-32902-J1	INSULATOR CP	300	540	281-50325-08	RATCHET	520	210 - 5
277-35002-01	PIN(ROCKER) CP	300	200	281-50330-08	FRICTION SPRING	520	210 - 6
277-35101-03	PIN(CAM SHAFT)	300	25	281-50340-08	FRICTION PLATE	520	210 - 8
277-35201-13	GASKET(MUFFLER)	300	340	281-50351-08	CENTER SCREW	520	210 - 49
277-35902-H3	GASKET1(INSULATOR)	300	560	980-20082-80	FLANGE NUT	300	350
277-35902-J3	GASKET1(INSULATOR)	300	560	KU3-11071-01	FLOAT C/U CP5	770	705
277-35903-H3	GASKET2(INSULATOR)	300	550	X56-11100-20	HOSE CLAMP	600	90
277-35903-J3	GASKET2(INSULATOR)	300	550	X64-13600-10	FUEL FILTER	600	40
277-36201-00	ROCKER ARM(IN) AY	300	220	X66-00003-61	SWITCH AY	700	60
277-36202-00	ROCKER ARM(EX) AY	300	225	X85-10612-30	RUBBER PIPE	600	80
277-36401-03	RELEASE LEVER	300	35				
277-36501-03	CLIP	300	37				
277-36902-03	PIN(TENTIONER)	300	166				
277-36911-03	TENTIONER	300	160				
277-36913-13	CHAIN GUIDE	300	170				
277-37101-03	SPRING(TENTIONER)	300	163				
277-37203-H1	SCREEN CP	300	385				
277-38601-03	PIN(SPRING)	300	34				
277-38702-03	RETURN SPRING	300	38				
277-41901-03	GOVERNOR SLEEVE	100	260				
277-42201-33	GOVERNOR SHAFT	400	20				
277-42301-13	GOVERNOR LEVER	400	10				
277-42301-23	GOVERNOR LEVER	400	10				
277-42510-03	GOVERNOR SPRING	400	80				
277-42510-13	GOVERNOR SPRING	400	80				
277-42801-13	ROD SPRING	400	40				
277-42801-23	ROD SPRING	400	40				
277-43303-03	SPEED CONTROL LEVER	400	310				
277-43501-03	STOP PLATE	400	340				
277-43502-03	STOP PLATE	400	340				
277-43801-01	CHOKE LEVER CP	600	224				
277-44501-03	WASHER	400	350				
277-45004-H1	GOVERNOR GEAR CP	100	250				
277-45004-J1	GOVERNOR GEAR CP	100	250				
277-46002-02	SPEED CONT.BRKT UN	400	435				
277-50110-08	STARTER ROPE	520	210 - 3				
277-50121-08	REEL	520	210 - 2				
277-52702-03	BAFFLE 2(HEAD)	500	61				
277-52711-11	BAFFLE 1(CASE) CP	500	60				
277-52711-21	BAFFLE 1(CASE) CP	500	60				
277-62100-18	CUP	640	210 -303				
277-62110-18	PACKING	640	210 -302				
277-62360-08	BOLT	640	210 - 28				
277-62404-18	MAIN JET	640	210 - 22				



PART NUMBER INDEX LIST(FIG.No.4200)

PART NUMBER	PART NAME	FIG. REF.	PART NUMBER	PART NAME	FIG. REF.
480-05010-14	HEX BOLT	4200 314			
480-05010-16	COUPLING HANDLE	4200 350			
480-05010-17	PACKING ,COUPLING	4200 330			
480-05010-18	HOSE COUPLING	4200 340			
480-05010-28	HOSE BAND	4200 520			
480-05310-01	CASING COVER	4200 210			
480-05310-02	HEX BOLT	4200 180			
480-05310-03	HEX BOLT	4200 280			
480-05310-05	RUBBER CUSHION	4200 670			
480-05310-06	RUBBER CUSHION	4200 671			
480-05310-07	WASHER	4200 735			
480-05310-08	NEEDLE BEARING	4200 730			
480-05310-09	GREASE NIPPLE	4200 743			
480-05310-10	THRUST WASHER	4200 738			
480-05310-11	HEX BOLT	4200 740			
480-05310-14	ROD	4200 720			
480-05310-15	DIAPHRAGM	4200 710			
480-05310-16	CAP ,DIAPHRAGM	4200 715			
480-05310-17	CASING	4200 110			
480-05310-20	SUCTION CHAMBER	4200 370			
480-05310-21	O RING	4200 374			
480-05310-23	SUCTION FLANGE	4200 310			
480-05310-24	VALVE	4200 320			
480-05310-26	BEND	4200 410			
480-05310-29	WASHER	4200 287			
480-05310-30	NIPPLE	4200 341			
480-05310-31	STRAINER	4200 510			
480-05310-32	WING SCREW	4200 757			
480-05310-33	SPRING WASHER	4200 758			
480-05310-34	COVER	4200 755			
480-05310-36	SPRING WASHER	4200 742			
480-05310-36	SPRING WASHER	4200 754			
480-05310-38	WASHER	4200 765			
480-05310-39	PACKING	4200 760			
480-05310-40	KEY ,CRANK SHAFT	4200 770			
480-05310-41	SCREW	4200 763			
480-05310-42	GEAR UNIT	4200 750			
480-08010-14	BOLT & WASHER AY	4200 725			
480-08210-12	PLUG	4200 360			
480-08210-18	O RING	4200 362			
480-10010-24	NUT & WASHER AY	4200 690			
481-00001-83	FRAME	4200 610			
484-00003-03	LABEL(PUMP NAME)	4200 910			
484-00019-03	LABEL(PUMP NAME)	4200 910			

**FUJI HEAVY INDUSTRIES LTD.**  
**INDUSTRIAL PRODUCTS COMPANY**

4-410 Asahi, Kitamoto-shi,  
Saitama, 364-8511, Japan

Phone +81(48) 593-7896

Fax +81(48) 593-7965

Web site <http://www.fhi.co.jp/robin/>